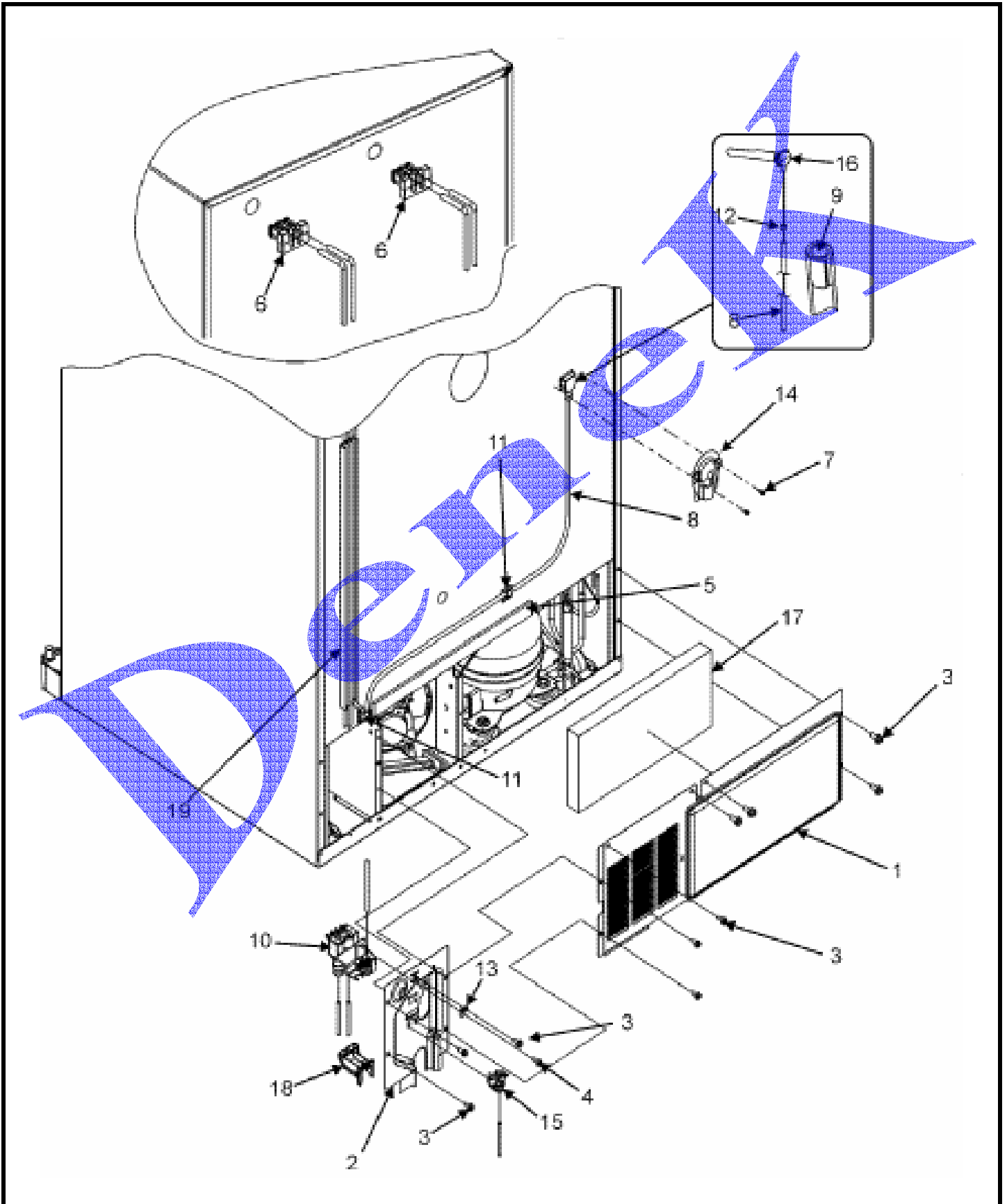


## MAYTAG MFD2560HEB

## CABINET BACK



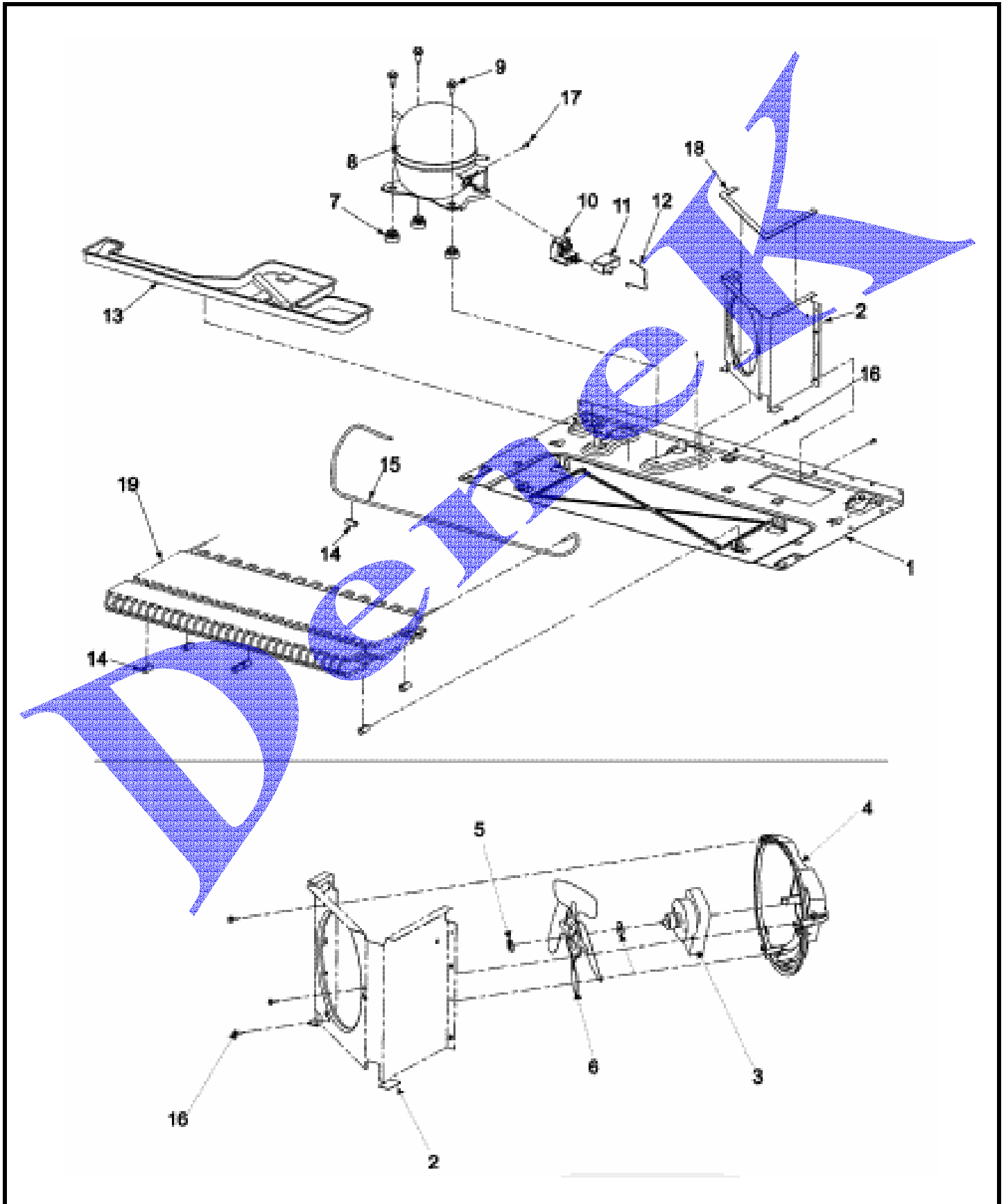
## MAYTAG MFD2560HEB

## CABINET BACK

1	12575101ED	BACK, MACH COMP
2	67004098	COVER, WATER VALVE
3	M0238616	SCREW, SM
4	M0251015	SCREW
5	B5759649	GASKET, MC BACK
6	67004092	BLOCK, FILTER
7	M0211018	SCREW, SM
8	67003729	TUBE, PLASTIC
9	A3223101	INSERT, PLASTIC TUBE
10	67003818	VALVE, DUAL WATER
11	M0104106	CLIP
12	M0114003	CLIP, SPEED
13	M0108105	CLAMP, TUBE
14	67003331	COVER, WATER LINE
15	67004100	CLIP, WATERLINE
16	10463201	ELBOW, FILL TUBE
17	67003796	FIBER, ACOUSTIC
18	67004101	SWEEP, DUAL TUBE
19	67004102	TRACK, WATERLINE
20	M0104102	CLIP, CORD
21	12583301	CORD, POWER

## MAYTAG MFD2560HEB

## COMPRESSOR



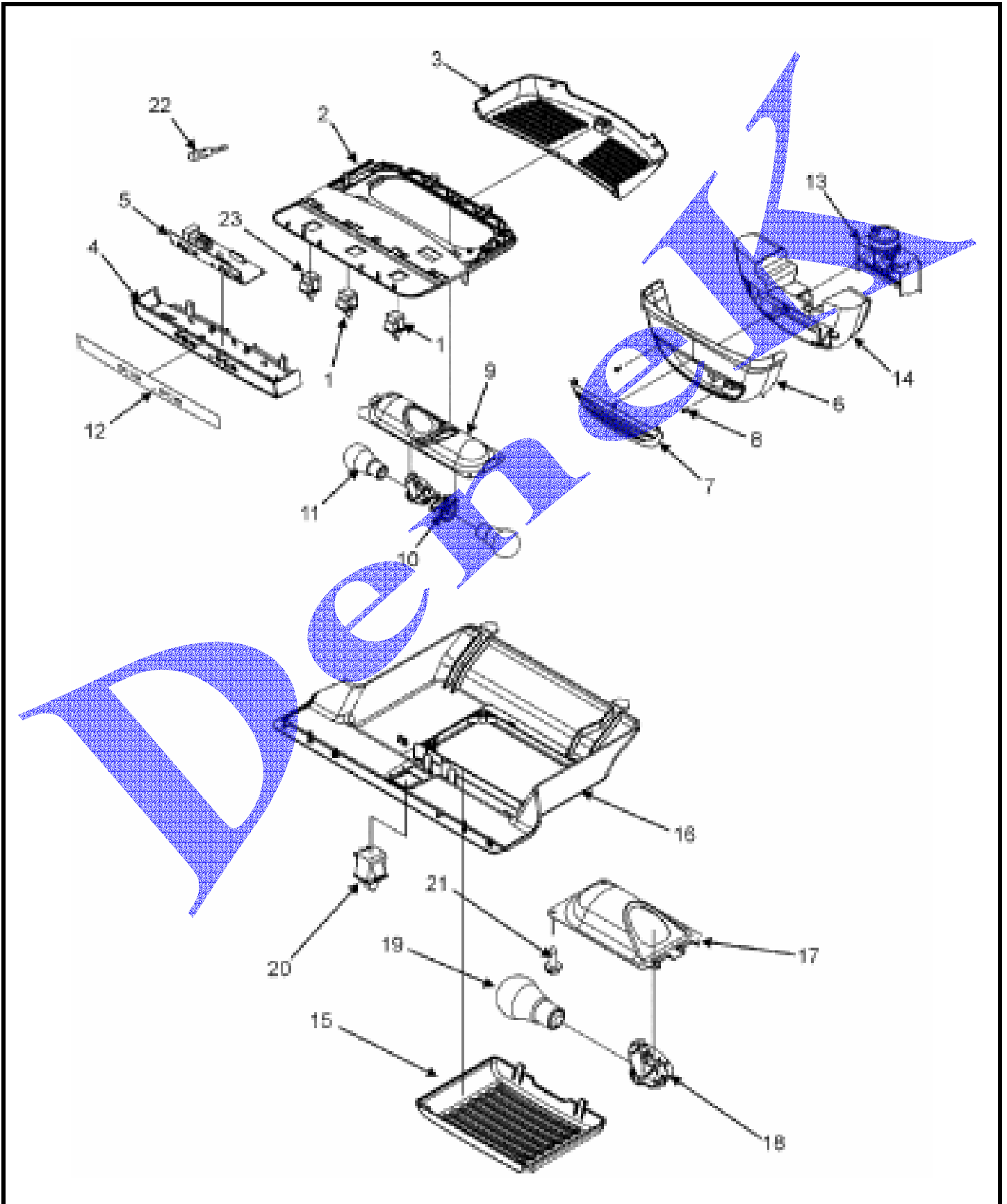
## MAYTAG MFD2560HEB

## COMPRESSOR

1	67001512	PAN, BASE
2	67001090	SHROUD, CONDENSER FAN
3	12628701	MOTOR, CONDENSER FAN (ECM)
4	67003644	BRKT, ECM COND MOTOR
5	12632601	NUT, ECM MOTOR
6	12587601	BLADE, COND FAN
7	67003493	GROMMET, COMPRESSOR
8	67003762	COMPRESSOR, TPG1370YXA(BM)
9	M0221523	SCREW, SHLDR
10	67003764	OVERLOAD/RELAY W/CAPACITOR
11	C8931612	CAPACITOR
12	12576801	STRAP, BALE
13	12579801	PAN, DRAIN
14	12578601	GROMMET, CONDENSER
15	67002494	TUBE, DISCHARGE
16	M0238616	SCREW, SM
17	M0231604	SCREW, TF
18	61003210	SEAL
19	67003195	CONDENSER
20	10699602	TUBING, DAMPER 1.6
21	67004097	HARNESS, MC

## MAYTAG MFD2560HEB

## CONTROLS



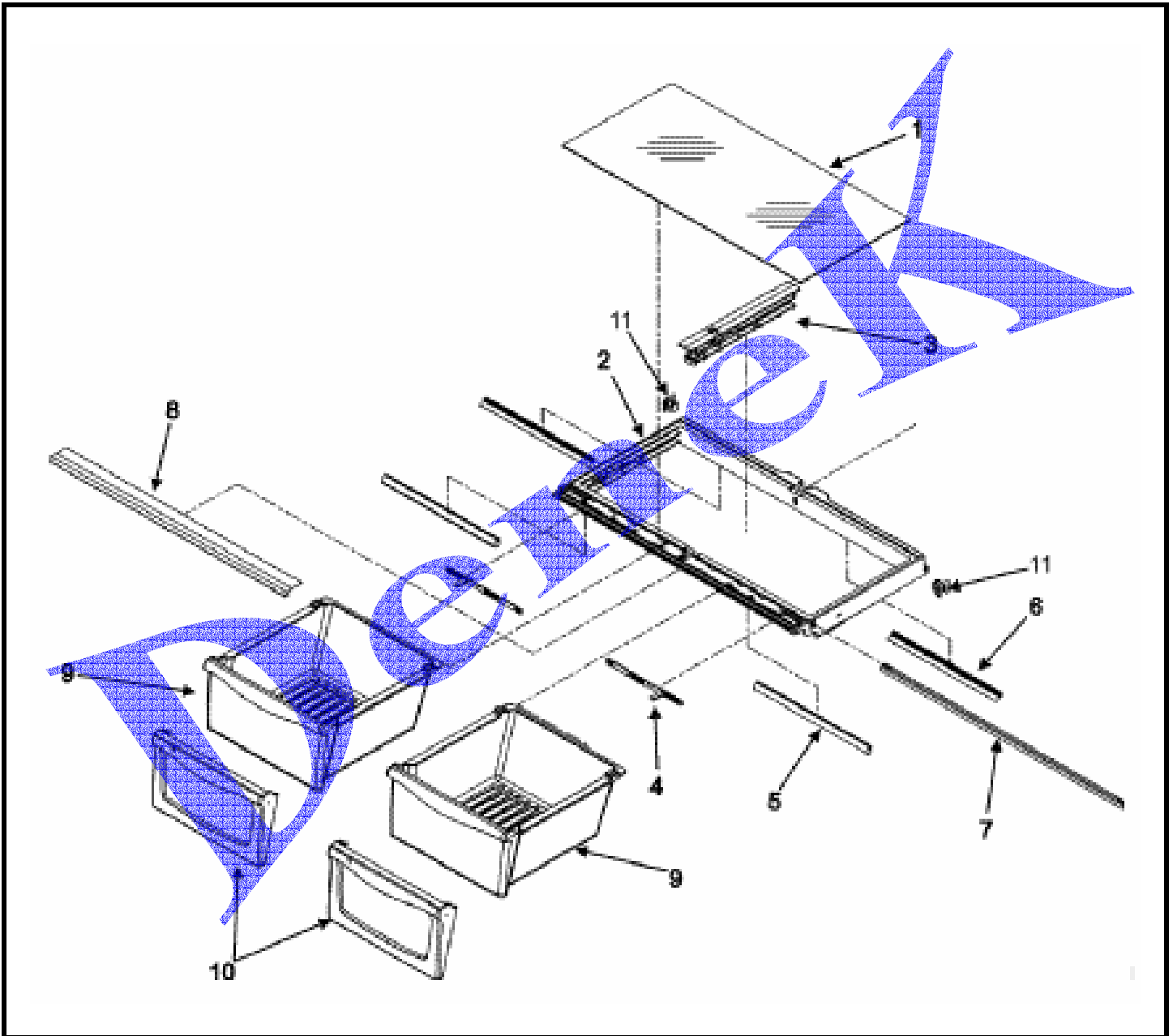
## MAYTAG MFD2560HEB

## CONTROLS

1	C3680310	SWITCH, LIGHT
2	67004078	MODULE, LIGHT
3	67003897	COVER, REF LIGHT
4	67004005	MODULE, REF CONTROL
5	12002445	CONTROL BOARD KIT (JAZZ)
6	67003899	COVER, DAMPER
7	67003900	INSERT, DAMPER COVER
8	M0213132	SCREW
9	67003901	HOUSING, LIGHT
10	12570701	SOCKET, LIGHT
11	67003883	BULB, LIGHT
12	67004642	OVERLAY, CONTROL MODULE
13	67003903	CONTROL, DAMPER
14	67003904	INSULATION, DAMPER CONTROL
15	67003905	COVER, FZ LIGHT
16	67003906	MODULE, FZ CONTROL
17	67001035	HOUSING, LIGHT
18	12570701	SOCKET, LIGHT
19	67003883	BULB, LIGHT
20	12466101	SWITCH, LIGHT/INTRLK
21	M0226528	SCREW, TC
22	12002355	THERMISTOR KIT
23	67003940	SWITCH, ENERGY SAVER
24	67004032	HARNESS, FF CONTROL
24	67003908	HARNESS, FZ MODULE

## MAYTAG MFD2560HEB

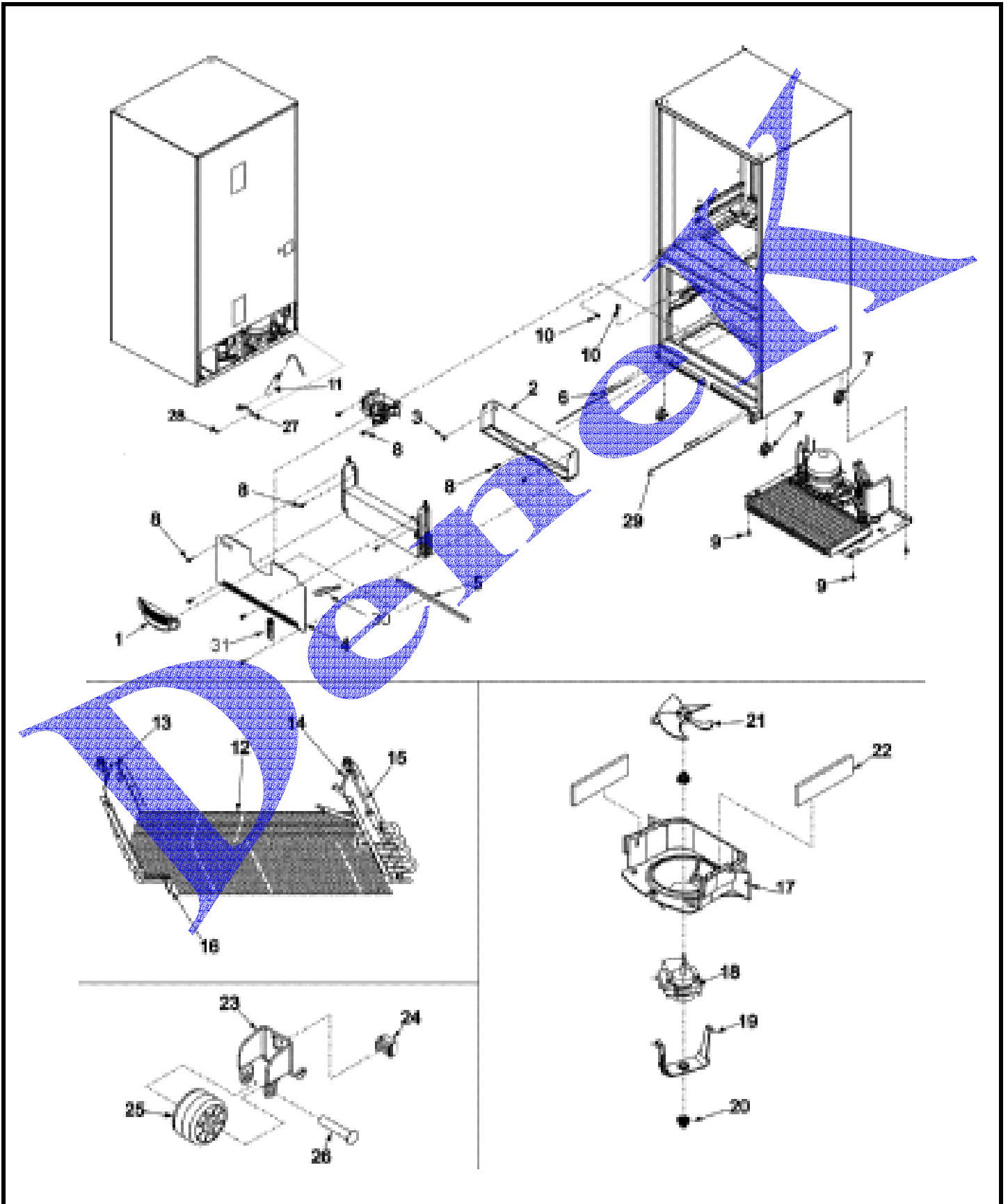
## CRISPER ASSEMBLY



- |    |          |                         |
|----|----------|-------------------------|
| 1  | 67003852 | GLASS, CRISPER          |
| 2  | 67003854 | FRAME, CRISPER          |
| 3  | 67004514 | RAIL, CENTER CRISPER    |
| 4  | 67001287 | SLIDE, HUMIDITY CONTROL |
| 5  | 67003417 | SEAL, FRONT CRISPER     |
| 6  | 67002513 | SEAL, REAR CRISPER      |
| 7  | 67002748 | BRACE, CRISPER E-CT     |
| 8  | 67004510 | EXTR, FRONT CRISPER     |
| 9  | 67004515 | PAN, CRISPER            |
| 10 | 67004516 | FRONT, CRISPER PAN      |
| 11 | 12603701 | SUPPORT, CRISPER FRAME  |

## MAYTAG MFD2560HEB

## EVAPORATOR AREA & ROLLERS





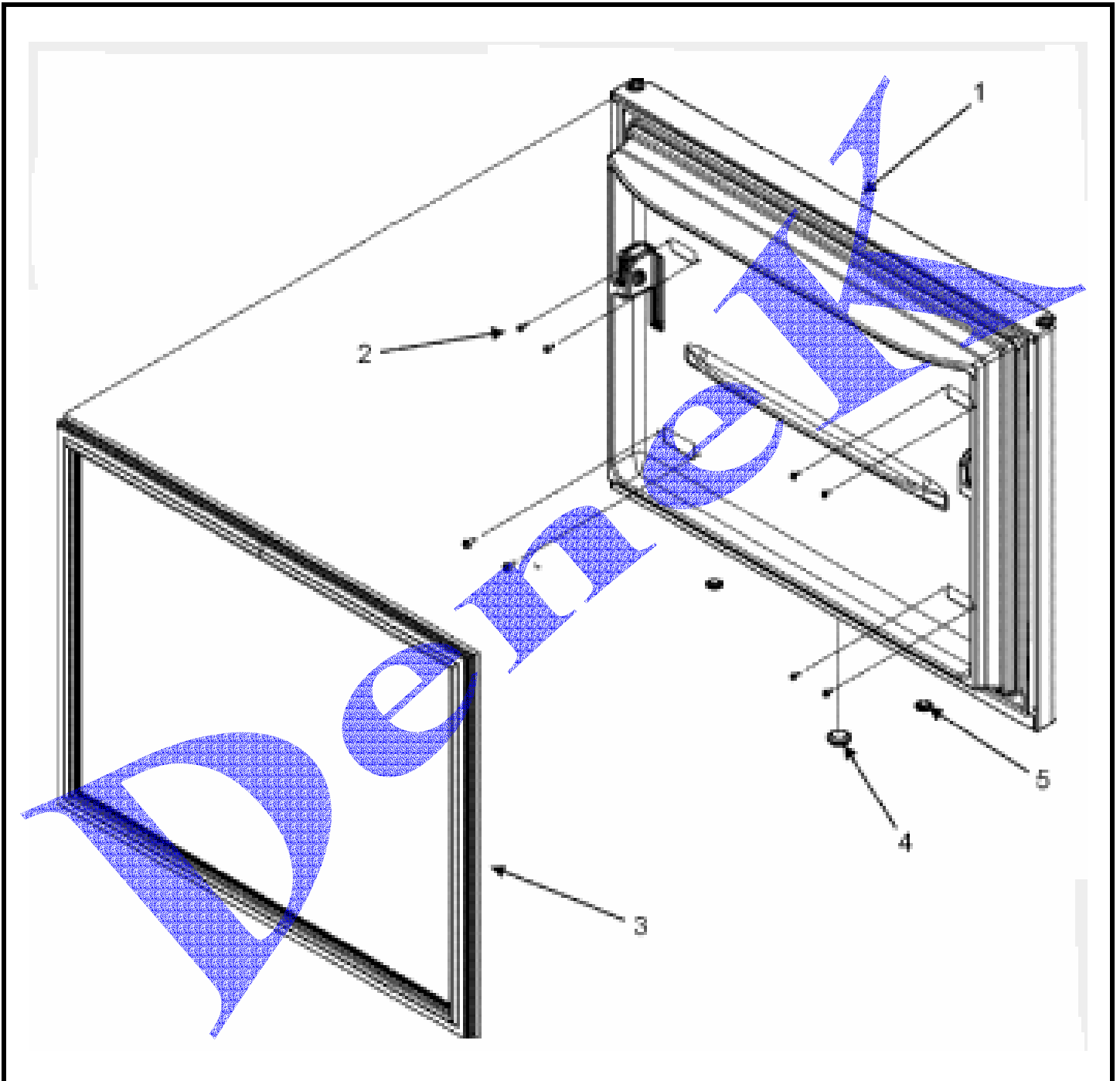
## MAYTAG MFD2560HEB

## EVAPORATOR AREA & ROLLERS

1	67001079	GRILLE, FZ AIR**
2	67002490	TRAY, DRIP E-CT
3	10623002	CLIP, EVAPORATOR
4	67004018	COVER, EVAPORATOR
5	67002492	GASKET
6	12606102	BOLT, ROLLER ADJ
7	67002227	ROLLER BRACKET ASSY
8	M0238616	SCREW, SM
9	M0260242	SCREW, TF
10	M0580205	GROMMET, SCREW
11	B2150504	DRIER
12	12002041	KIT, EVAP REPLACEMENT
13	67001083	DAM, LEFT RETURN
14	67001084	DAM, RIGHT RETURN
15	67002493	HEATER, DEFROST
16	10428101	CLIP, EVAP HEATER
17	67002777	SHROUD, EVAP FAN
18	67003917	MOTOR, EVAP FAN
19	67002779	CLIP, EVAP MOTOR
20	67002780	GROMMET, FAN MOTOR
21	12217201	FAN, EVAPORATOR
22	67001291	GASKET, FOAM
23	12456801	BRACKET, ROLLER
24	M0286708	NUT, SPEED
25	10450602	ROLLER
26	M1205302	RIVET
27	10547002	CLIP, DRIER
28	M0220617	SCREW
29	67002781	SCREW, ADJUSTING
30	12002355	THERMISTOR KIT
31	67003924	COVER, FZ THERMISTOR
32	67003426	THERMOSTAT, DEFROST
33	67004080	HARNES, EVAP HEATER

## MAYTAG MFD2560HEB

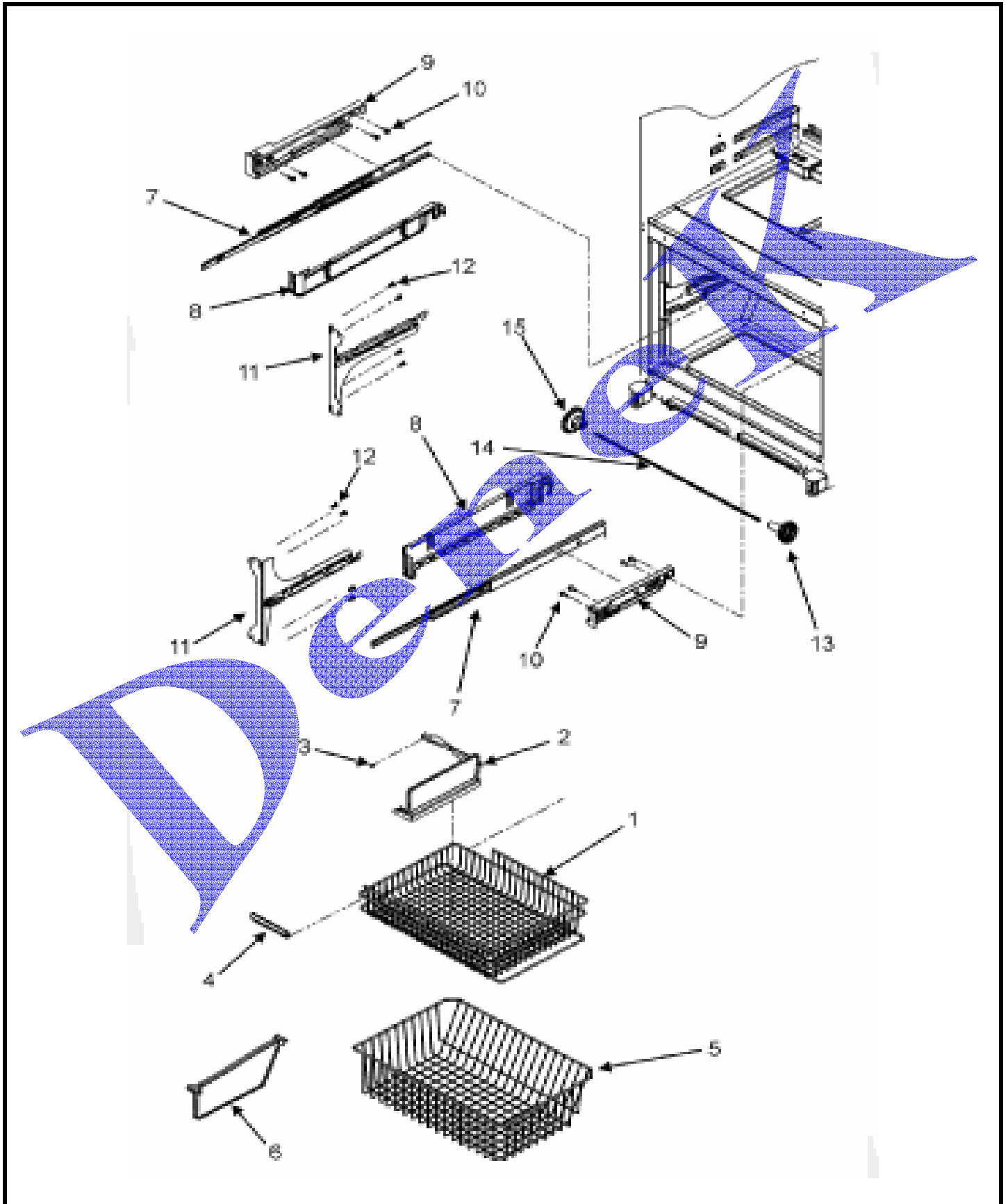
## FREEZER DOOR



- |   |          |                             |
|---|----------|-----------------------------|
| 1 | 67003230 | DOOR ASSY., FRZ. FOAM (BLK) |
| 2 | M0210816 | SCREW, SM                   |
| 3 | 67003559 | GASKET, FZ DOOR (BLK)       |
| 4 | A3080001 | PLUG, BUTTON (BLK)          |
| 5 | 67001016 | PLUG, BUTTON (BLK)          |

## MAYTAG MFD2560HEB

## FREEZER SHELVES



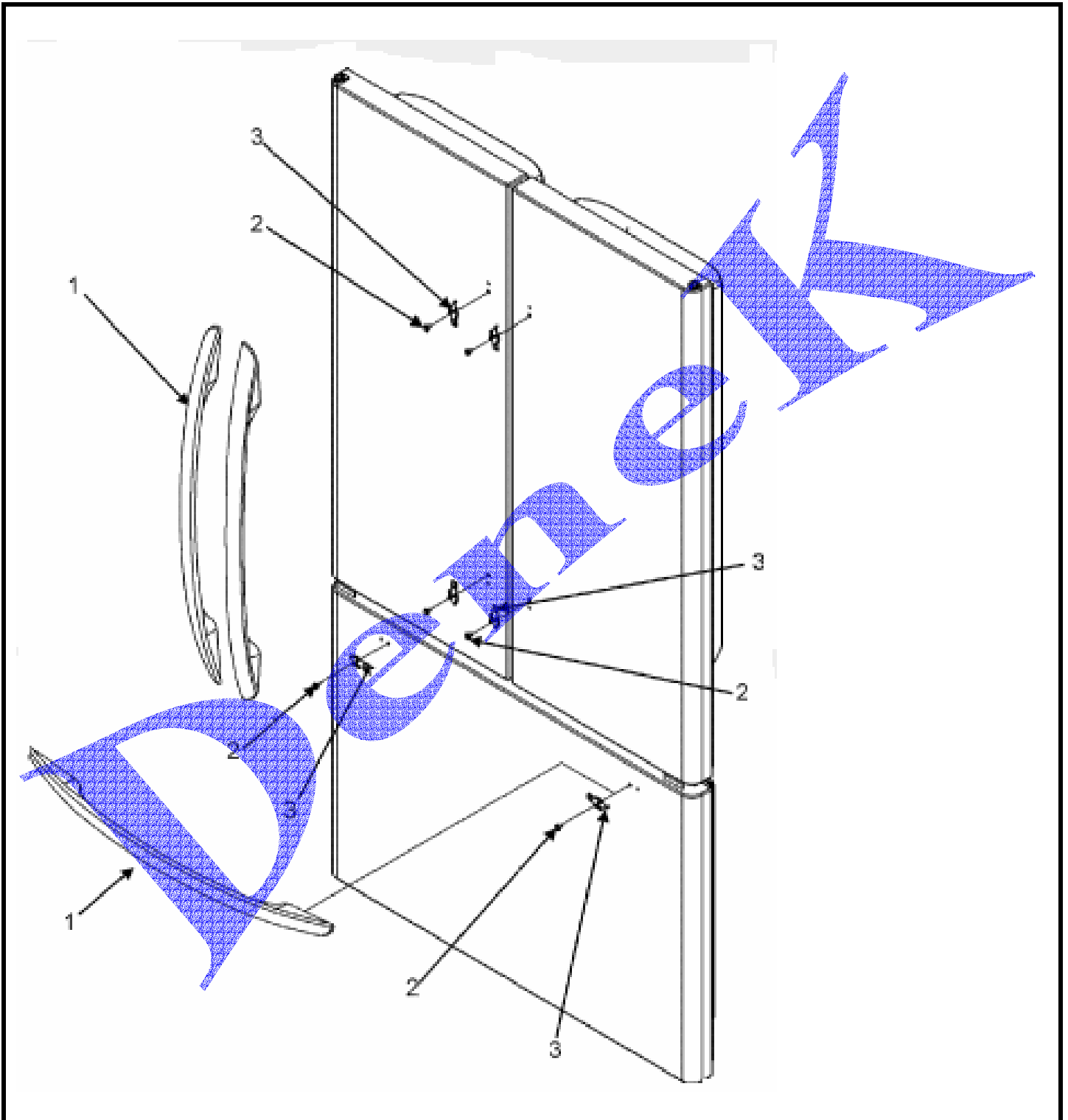
## MAYTAG MFD2560HEB

## FREEZER SHELVES

1	67002765	BASKET, UPPER
2	67001723	DIVIDER, BASKET (UPPER)
3	67001310	SCREW
4	10508506	HANDLE, BASKET/SHELF
5	67004079	BASKET, FRZ. (LWR)
6	67004064	DIVIDER, BASKET (LWR)
7	67004065	SLIDE, DRAWER
8	67004014	CRADLE, BASKET (LT)
8	67004015	CRADLE, BASKET (RT)
9	67004010	ADAPTER, SIDE (LT)
9	67004011	ADAPTER, SIDE (RT)
10	M0211021	SCREW 1"
11	67004012	BRACKET, DRAWER SLIDE (LT)
11	67004013	BRACKET, DRAWER SLIDE (RT)
12	M0211018	SCREW, SM
13	67004066	GEAR (LT)
14	67004017	SHAFT, RACK
15	67004016	GEAR (RT)

## MAYTAG MFD2560HEB

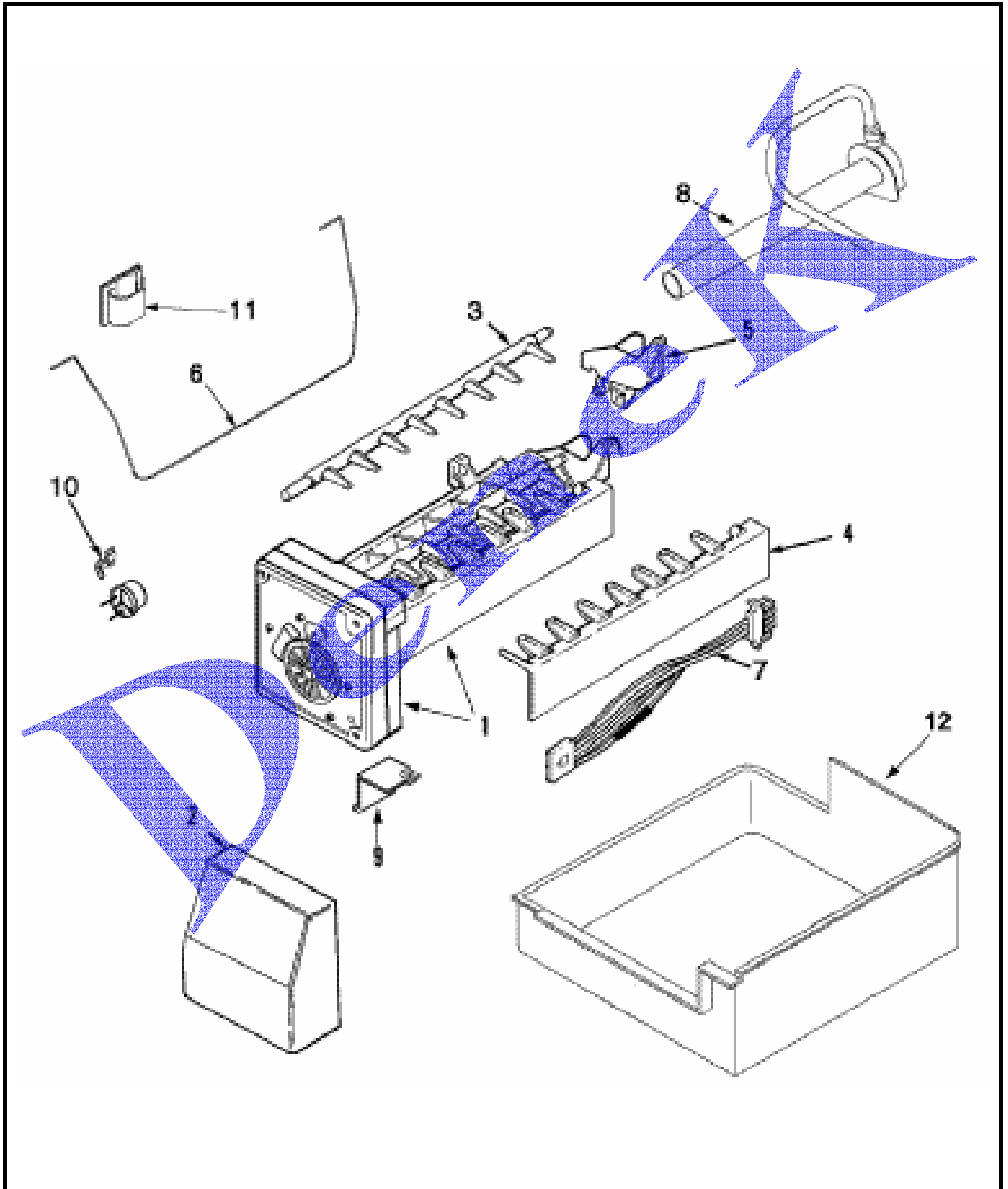
## HANDLES



- |   |          |                               |
|---|----------|-------------------------------|
| 1 | 67003876 | CARD, HANDLE RELEASE          |
| 1 | 67004406 | HANDLE ASSY., FRZ. DOOR (BLK) |
| 2 | 67003800 | SCREW, SM #10                 |
| 3 | 12723002 | CLIP, HANDLE BUTTERFLY        |

## MAYTAG MFD2560HEB

## ICE MAKER



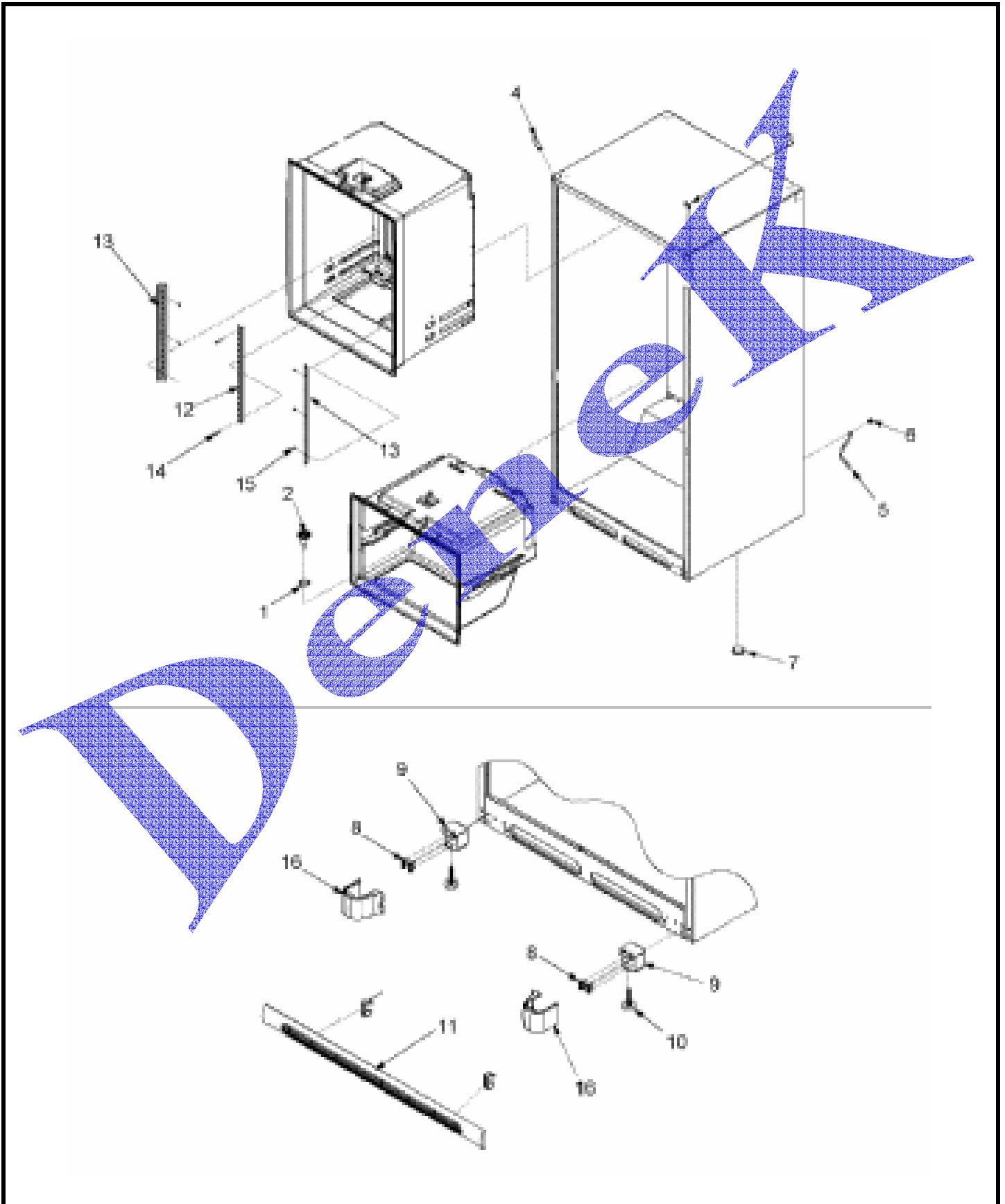
**MAYTAG MFD2560HEB**

**ICE MAKER**

1	61005508	ICE MAKER ASSY.
1	67002823	BRKT, ICE MAKER
1	M0211018	SCREW, SM
2	10519807	COVER, ICE MAKER
3	95101-1	EJECTOR, ICE
4	95102-1	STRIPPER, ICE
5	95100-1	INLET, WATER
6	67004028	ARM, IM SHUTOFF
7	67001489	HARNES, ICE MAKER*
8	10463201	ELBOW, FILL TUBE
9	95107-1	BRACKET, MODULE & HEATER
10	95104-1	RETAINER, THERMOSTAT
11	M0104106	CLIP
12	67001255	PAN, ICE
13	10244904	COUPLING
14	R0131235	ICE MAKER HOOK UP KIT

## MAYTAG MFD2560HEB

## INTERIOR CABINET





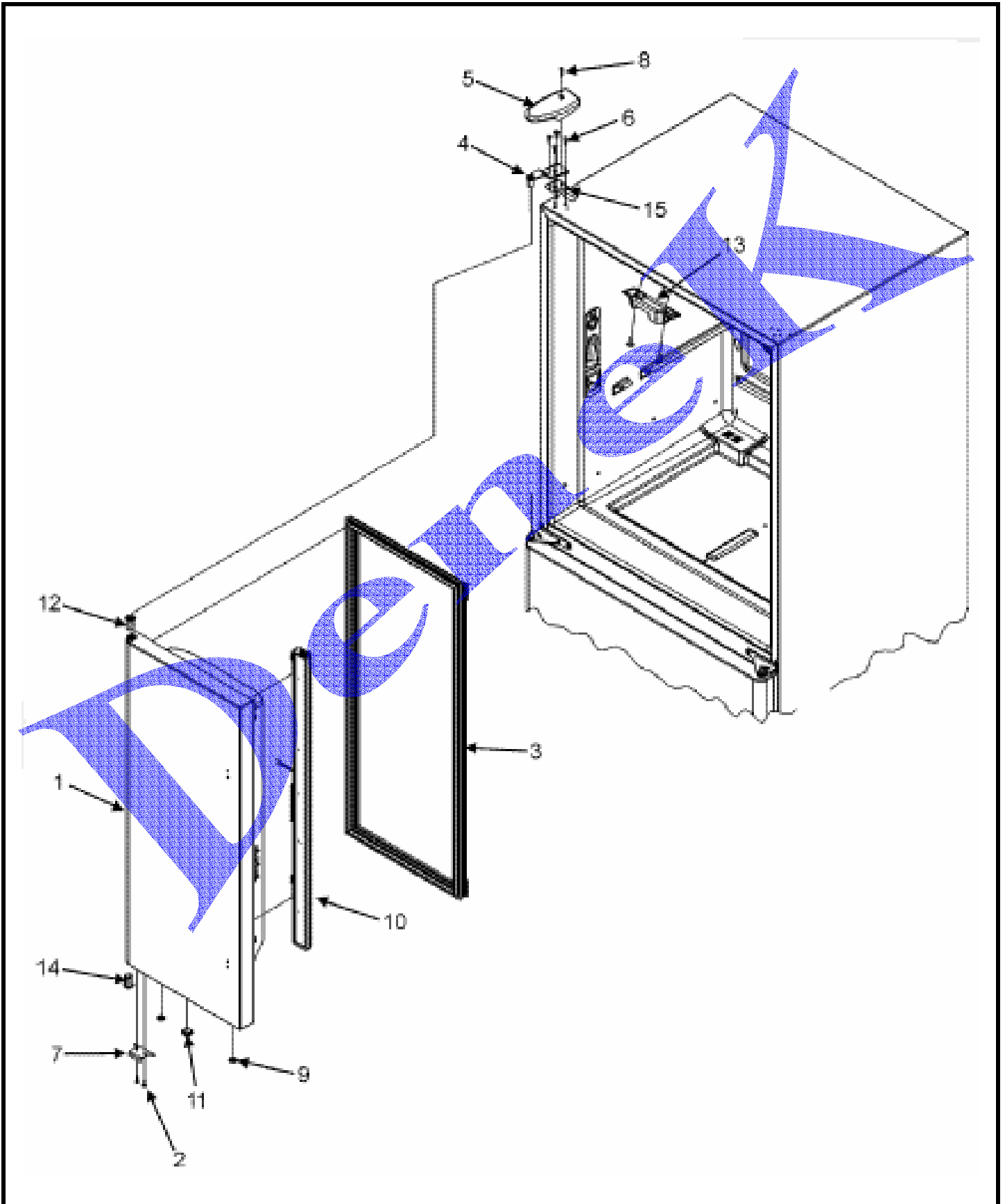
## MAYTAG MFD2560HEB

## INTERIOR CABINET

1	B8381501	GASKET, DRAIN TUBE
1	M0500703	SEAL, O RING
2	D7753903	FUNNEL, DRAIN
3	A4539607	POP RIVET
4	67003485	COVER, CORNER (BLK)
5	67001066	TUBE, DRAIN
6	67001067	CLIP, DRAIN TUBE
7	A3076901	PLUG, BUTTON
8	67003858	SCREW, BOTTOM HINGE
9	67001238	HINGE, BOTTOM E-CT (BLK)
10	10354001	BRAKE, FOOT
11	67002224	TOE GRILLE ASSY (BLK)
11	12627302	CLIP, TOE GRILLE
12	67004644	LADDER, CENTER
12	67003721	ADAPTER, CTR LADDER
13	67004645	LADDER, L/R SIDE
14	M0231425	SCREW
15	M0238642	SCREW, SM
16	12561901B	COVER, LWR HINGE (BLK)

## MAYTAG MFD2560HEB

## LEFT REFRIGERATOR DOOR



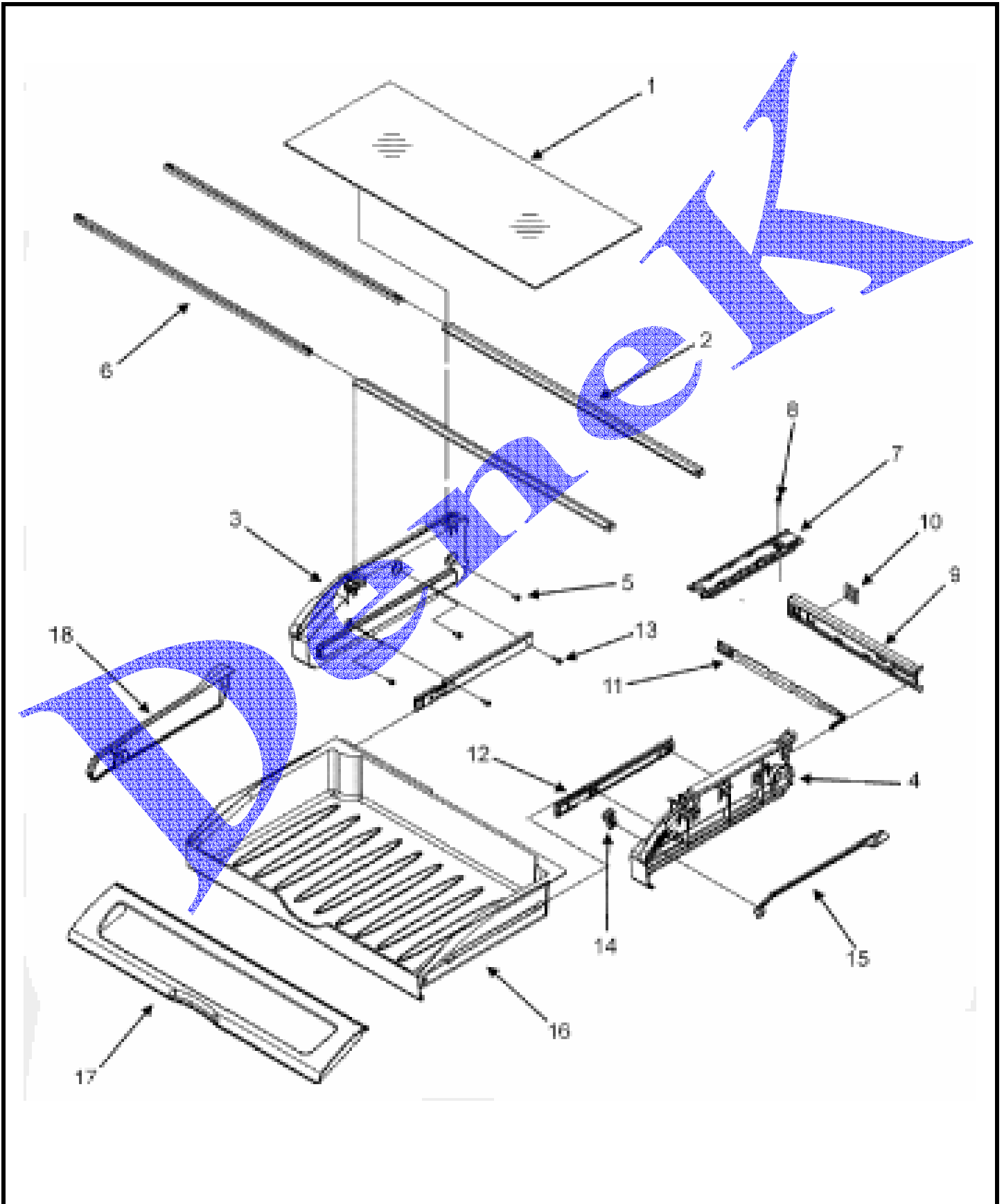
## MAYTAG MFD2560HEB

## LEFT REFRIGERATOR DOOR

1	67002710	DOOR ASSY., LT REF. FOAM (BLK)
2	M0211533	SCREW, MOUNTING
3	67003547	GASKET, FRENCH DOOR (BLK)
4	12566603ED	HINGE, TOP (BLK)
5	12684201B	COVER, TOP HINGE (LT-BLK)
6	M0238731	SCREW, TF
7	67003780	STOP, DOOR (BLK)
8	M0202327	SCREW-MACH
9	67001016	PLUG, BUTTON (BLK)
10	67003264	VERT MULLION ASSY (BLK)
10	67004639	SCREW
11	A3080001	PLUG, BUTTON (BLK)
12	12395501B	BUSHING, DOOR (BLK)
13	M0214931	SCREW
13	67003405	BLOCK, PIVOT
14	67002721	BUSHING, DOOR (BLK)
15	12579702	SHIM, TOP HINGE

## MAYTAG MFD2560HEB

## PANTRY ASSEMBLY



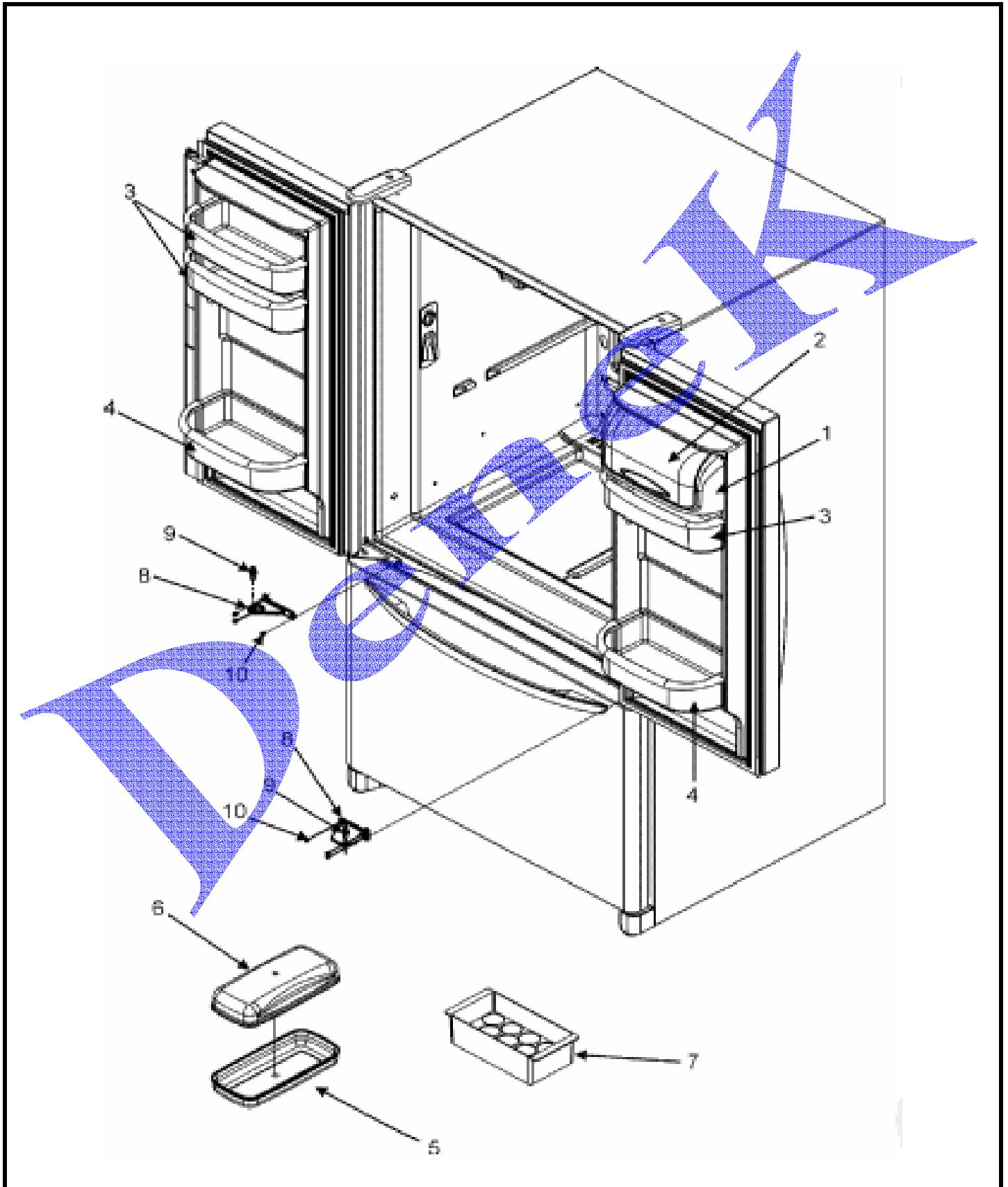
**MAYTAG MFD2560HEB**

**PANTRY ASSEMBLY**

1	67002761	GLASS, PANTRY
2	67002331	EXTR, GLASS SUPPORT
3	67002757	END CAP, PANTRY (LT)
4	67003281	END CAP, PANTRY (RT)
5	M0238636	SCREW-SM
6	67002330	BRACE, PANTRY
7	67001719	TRACK, DELI DRAWER
8	M0238642	SCREW, SM
9	M0238642	SCREW, SM
9	67002328	HOUSING, CONTROL
10	67002329	GASKET, PANTRY
11	67003793	SLIDE, TEMP CONTROL
12	67002752	GLIDE, PANTRY DOOR
13	M0211533	SCREW, MOUNTING
14	67003791	KNOB, TEMP CONTROL
15	67003795	BAR, TEMP CONTROL
16	67003531	DRAWER, PANTRY
17	67004643	LID, PANTRY
18	67002759	DIVIDER, PANTRY

## MAYTAG MFD2560HEB

## REF DR STORAGE & CENTER HINGES



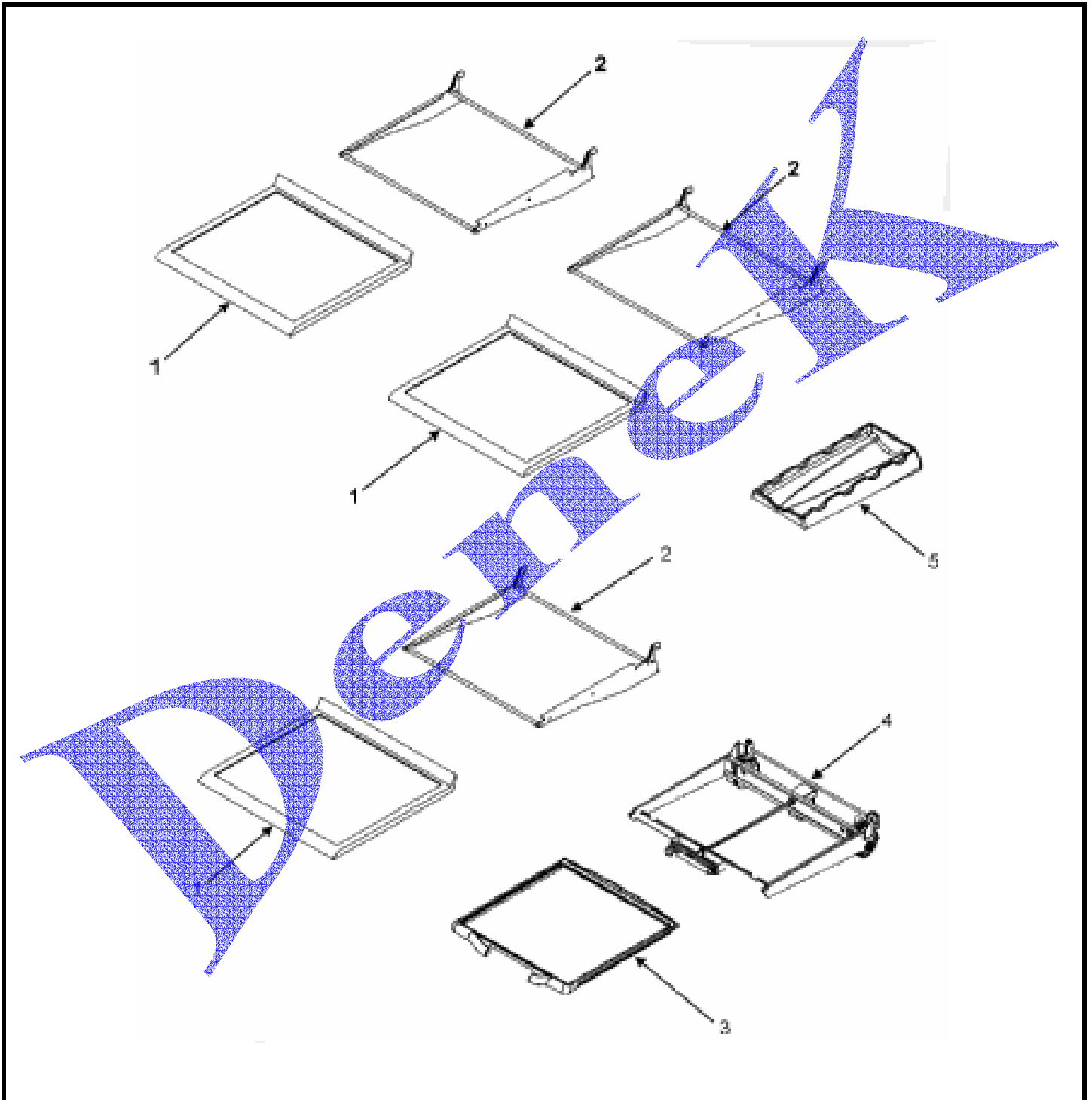
## MAYTAG MFD2560HEB

## REF DR STORAGE & CENTER HINGES

1	67001279	TRAY, DAIRY
2	67003637	DOOR, DAIRY
3	67004040	BUCKET, REF DR (MED)
4	67004641	BUCKET, REF DR GAL
5	67004404	TRAY, BUTTER
6	67004405	LID, BUTTER TRAY
7	67215-2	TRAY, EGG
8	67001167	HINGE, CENTER (BLK)
9	67002734	PIN, CENTER HINGE
10	M0226233	SCREW, T. F.

## MAYTAG MFD2560HEB

## REFRIGERATOR SHELVES

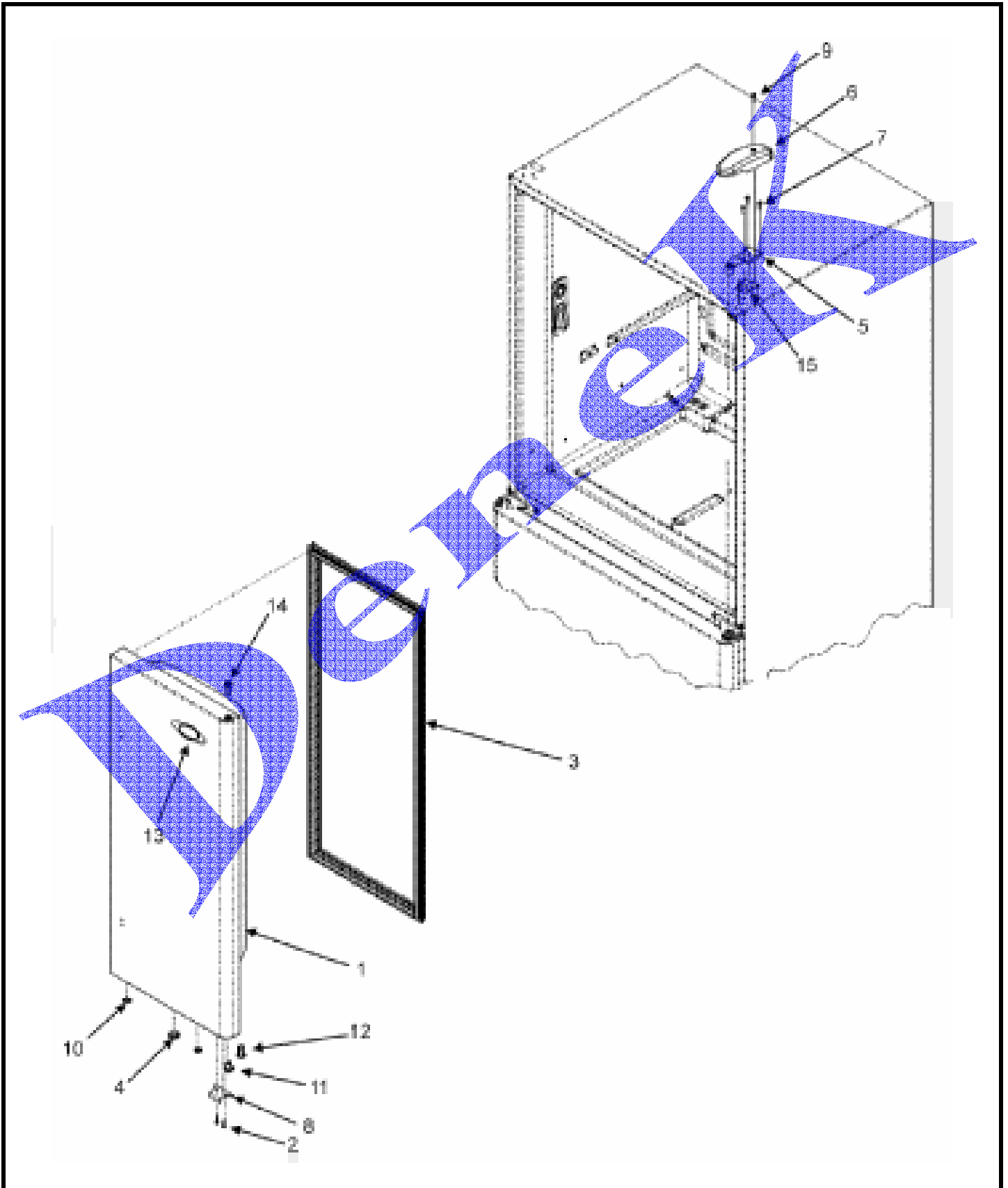


- |   |          |                             |
|---|----------|-----------------------------|
| 1 | 61002917 | SHELF, SPILLPROOF           |
| 2 | 61005966 | FRAME, SHELF                |
| 3 | 61004747 | SHELF, ELEVATOR             |
| 4 | 61006052 | FRAME ASSY., ELEVATOR SHELF |
| 5 | 67001656 | TRIVET, BOTTLE              |



## MAYTAG MFD2560HEB

## RIGHT REFRIGERATOR DOOR



## MAYTAG MFD2560HEB

## RIGHT REFRIGERATOR DOOR

1	67002724	DOOR ASSY., RT REF. FOAM (BLK)
2	M0211533	SCREW, MOUNTING
3	67003547	GASKET, FRENCH DOOR (BLK)
4	A3080001	PLUG, BUTTON (BLK)
5	67001011	HINGE, TOP (BLK)
6	12684202B	COVER, TOP HINGE (RT-BLK)
7	M0238731	SCREW, TF
8	67003780	STOP, DOOR (BLK)
9	M0202327	SCREW-MACH
10	67001016	PLUG, BUTTON (BLK)
11	67003639	CLOSURE, DOOR (BLK)
12	67002731	BUSHING, DOOR (BLK)
13	67003877	NAMEPLATE
14	67003369	BUSHING, DOOR (BLK)
15	12579702	SHIM, TOP HINGE