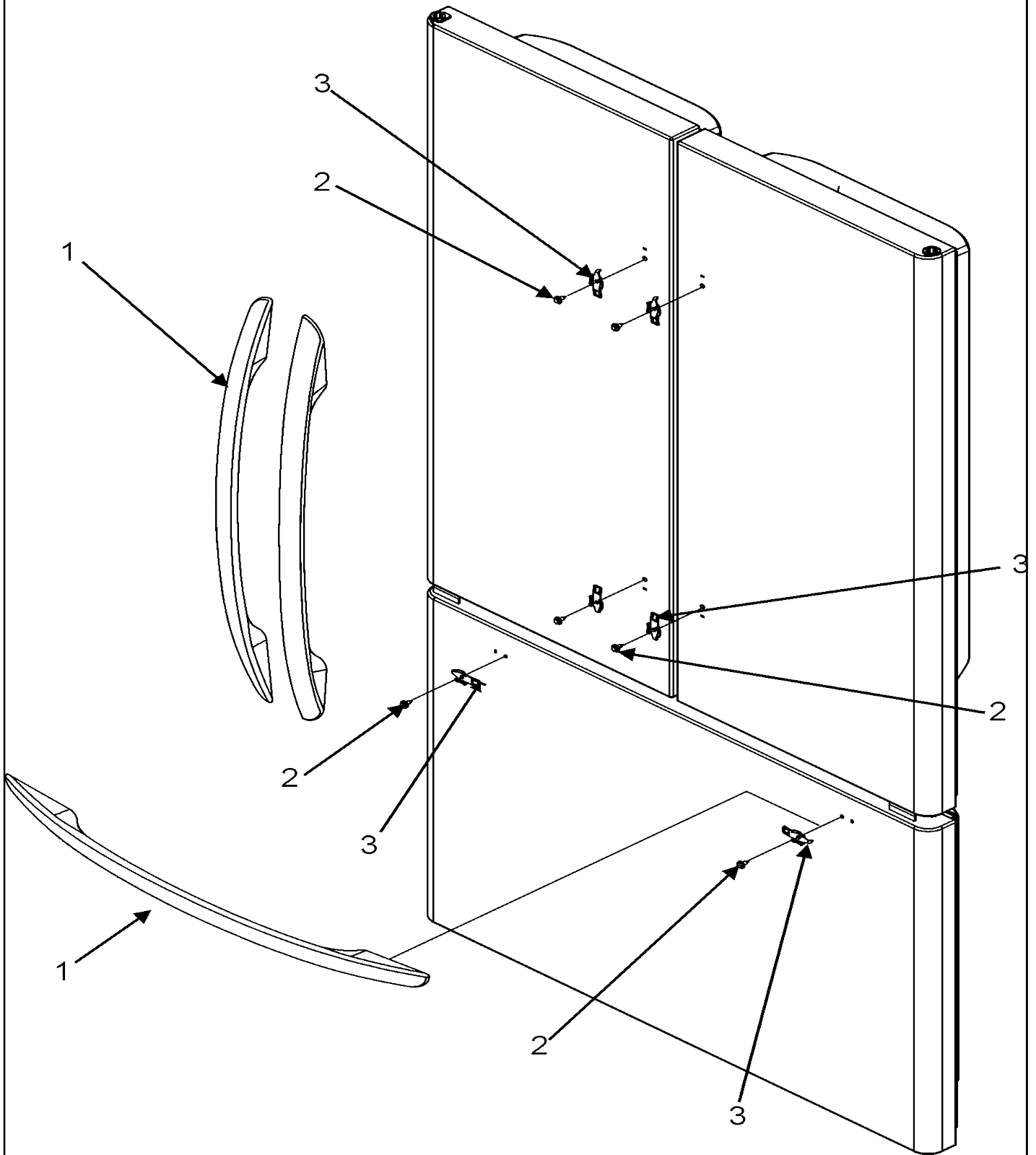


Model: MFD2560HES



AA44-86

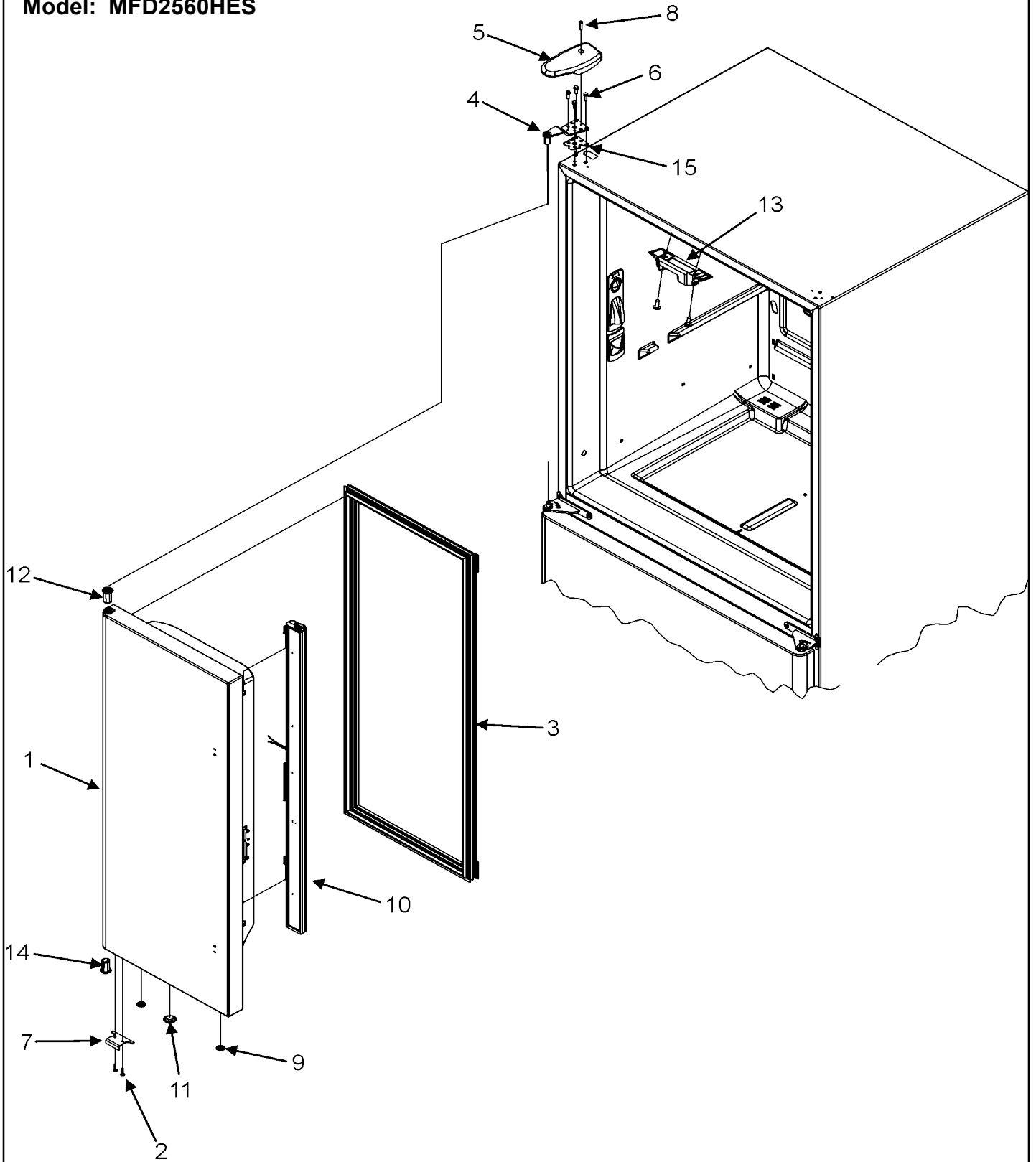


Refrigerador Maytag MFD2560HES

No.	Part No.	Description	Series	Qty
1	67004056	HANDLE ASSY., DOOR (STNLS)	10	3
-	67003876	CARD, HANDLE RELEASE	10	1
2	67003800	SCREW, SM #10 Note: SCREW, CLIP	10	6
3	12723002	CLIP, HANDLE BUTTERFLY Note: CLIP, HANDLE	10	6

*Color Code (-)=Not Shown #=Series, Serial Prefix or Run No., N=Not Available

Model: MFD2560HES



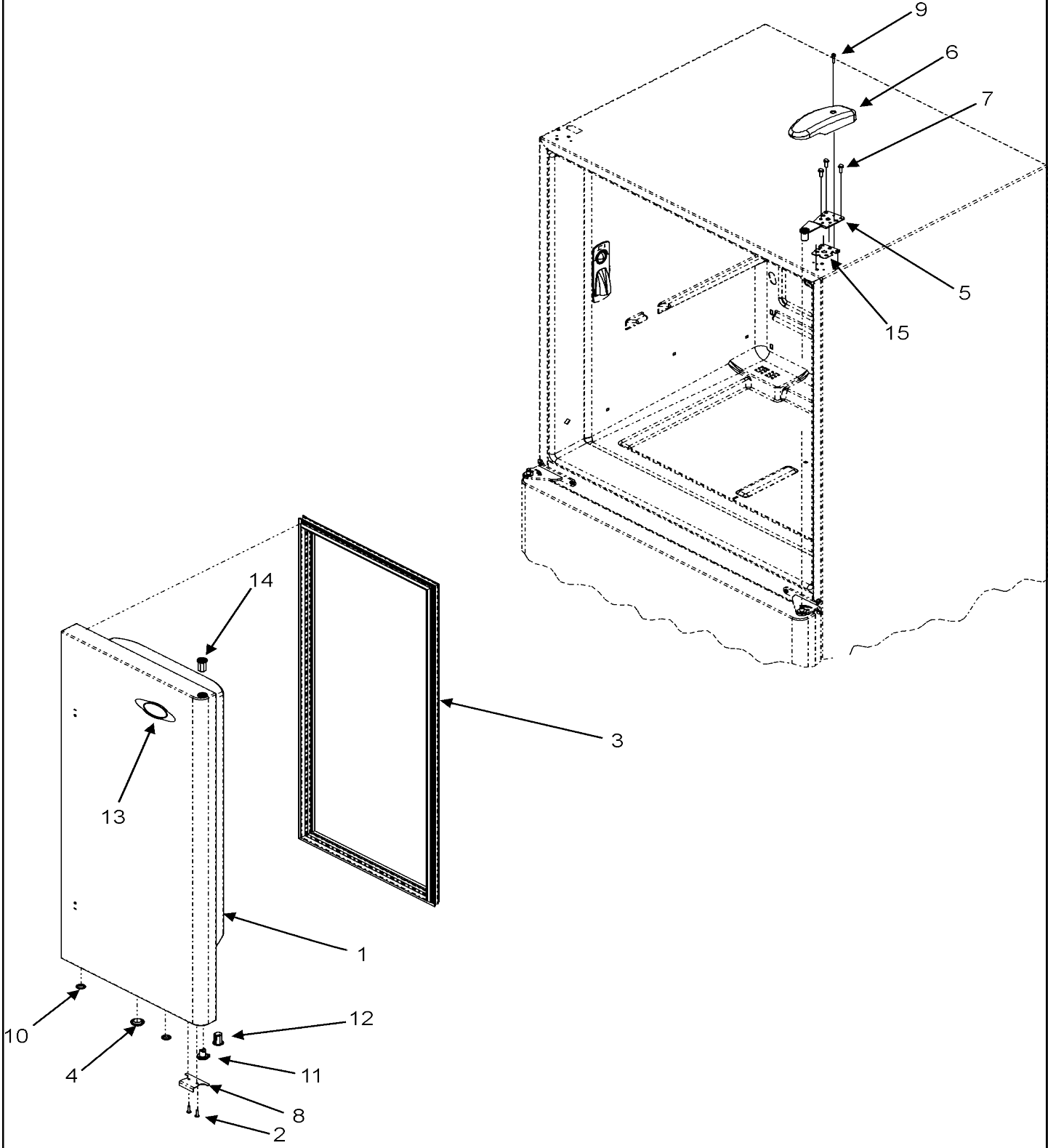


Refrigerador Maytag MFD2560HES

No.	Part No.	Description	Series	Qty
1	67004001	DOOR ASSY., LT REF FOAM(STNLS) Note: LEFT REF DR FOAM (STNLS)	10	1
2	M0211533	SCREW, MOUNTING Note: SCREW, DOOR STOP	10	2
3	67003547	GASKET, FRENCH DOOR (BLK)	10	1
4	12566603ED	HINGE, TOP (BLK) Note: TOP HINGE	10	1
5	12684201B	COVER, TOP HINGE (LT-BLK)	10	1
6	M0238731	SCREW, TF Note: SCREW, TOP HINGE	10	3
7	67003780	STOP, DOOR (BLK)	10	1
8	M0202327	SCREW-MACH Note: SCREW, HINGE COVER	10	1
9	67001016	PLUG, BUTTON (BLK)	10	2
-	67004639	SCREW Note: SCREW, MULLION	10	1
10	67003264	VERT MULLION ASSY (BLK)	10	1
11	A3080001	PLUG, BUTTON (BLK)	10	1
12	12395501B	BUSHING, DOOR (BLK) Note: BUSHING, TOP DOOR (BLK)	10	1
13	67003405	BLOCK, PIVOT	10	1
-	M0214931	SCREW Note: SCREW, PIVOT BLOCK	10	2
14	67002721	BUSHING, DOOR (BLK) Note: BUSHING, BOTTOM DOOR (BLK)	10	1
15	12579702	SHIM, TOP HINGE	10	1

*Color Code (-)=Not Shown #=Series, Serial Prefix or Run No., N=Not Available

Model: MFD2560HES



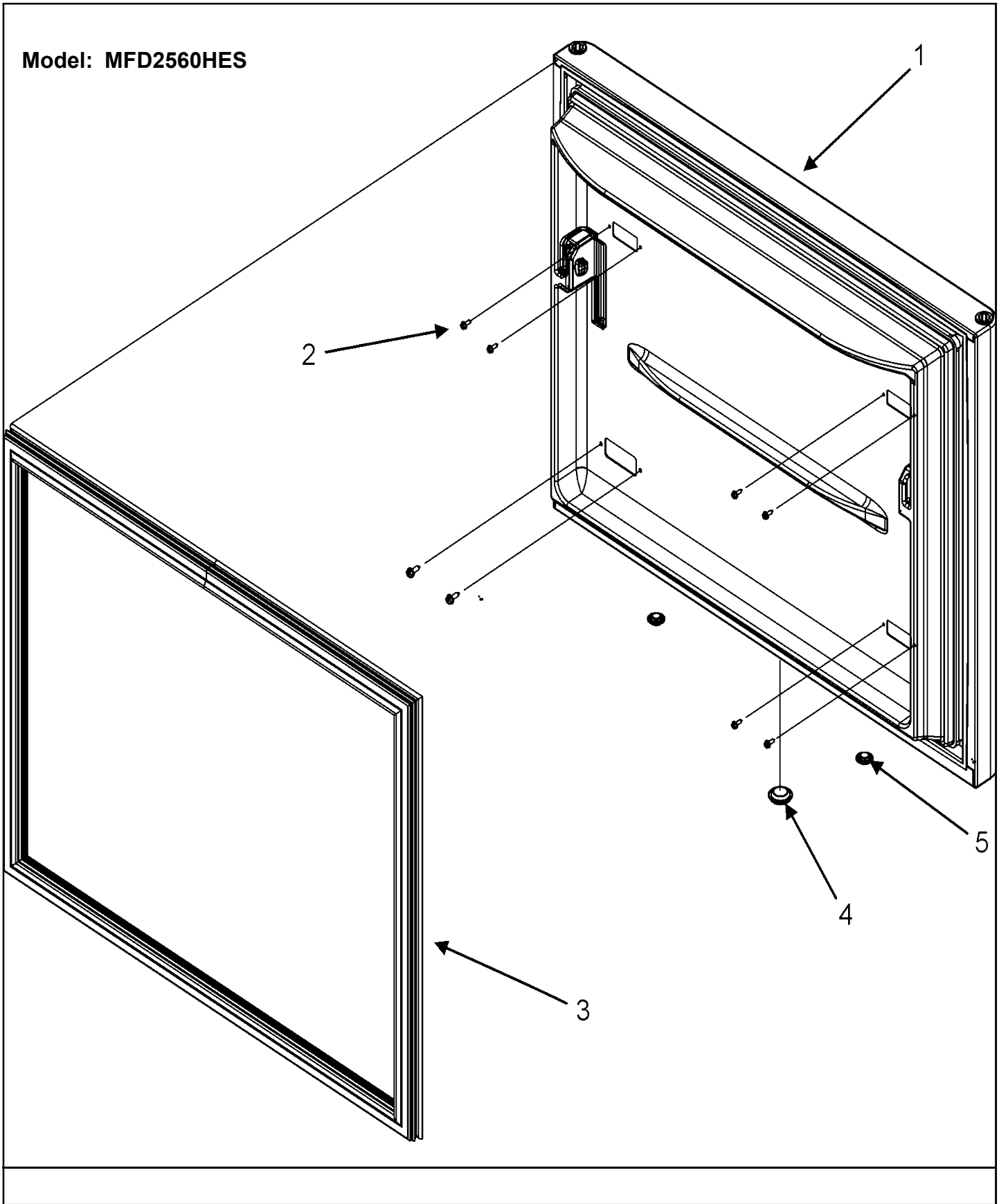


Refrigerador Maytag MFD2560HES

No.	Part No.	Description	Series	Qty
1	67004640	DOOR ASSY., RT REF FOAM(STNLS) Note: RIGHT REF DR FOAM (STNLS)	10	1
2	M0211533	SCREW, MOUNTING Note: SCREW, DOOR STOP	10	2
3	67003547	GASKET, FRENCH DOOR (BLK)	10	1
4	A3080001	PLUG, BUTTON (BLK)	10	1
5	67001011	HINGE, TOP (BLK) Note: TOP HINGE	10	1
6	12684202B	COVER, TOP HINGE (RT-BLK)	10	1
7	M0238731	SCREW, TF Note: SCREW, TOP HINGE	10	3
8	67003780	STOP, DOOR (BLK)	10	1
9	M0202327	SCREW-MACH Note: SCREW, HINGE COVER	10	1
10	67001016	PLUG, BUTTON (BLK)	10	2
11	67003639	CLOSURE, DOOR (BLK)	10	1
12	67002731	BUSHING, DOOR (BLK) Note: BUSHING, BOTTOM DOOR (BLK)	10	1
13	67003877	NAMEPLATE	10	1
14	67003369	BUSHING, DOOR (BLK) Note: BUSHING, TOP DOOR (BLK)	10	1
15	12579702	SHIM, TOP HINGE	10	1

*Color Code (-)=Not Shown #=Serial Prefix or Run No., N=Not Available

Model: MFD2560HES



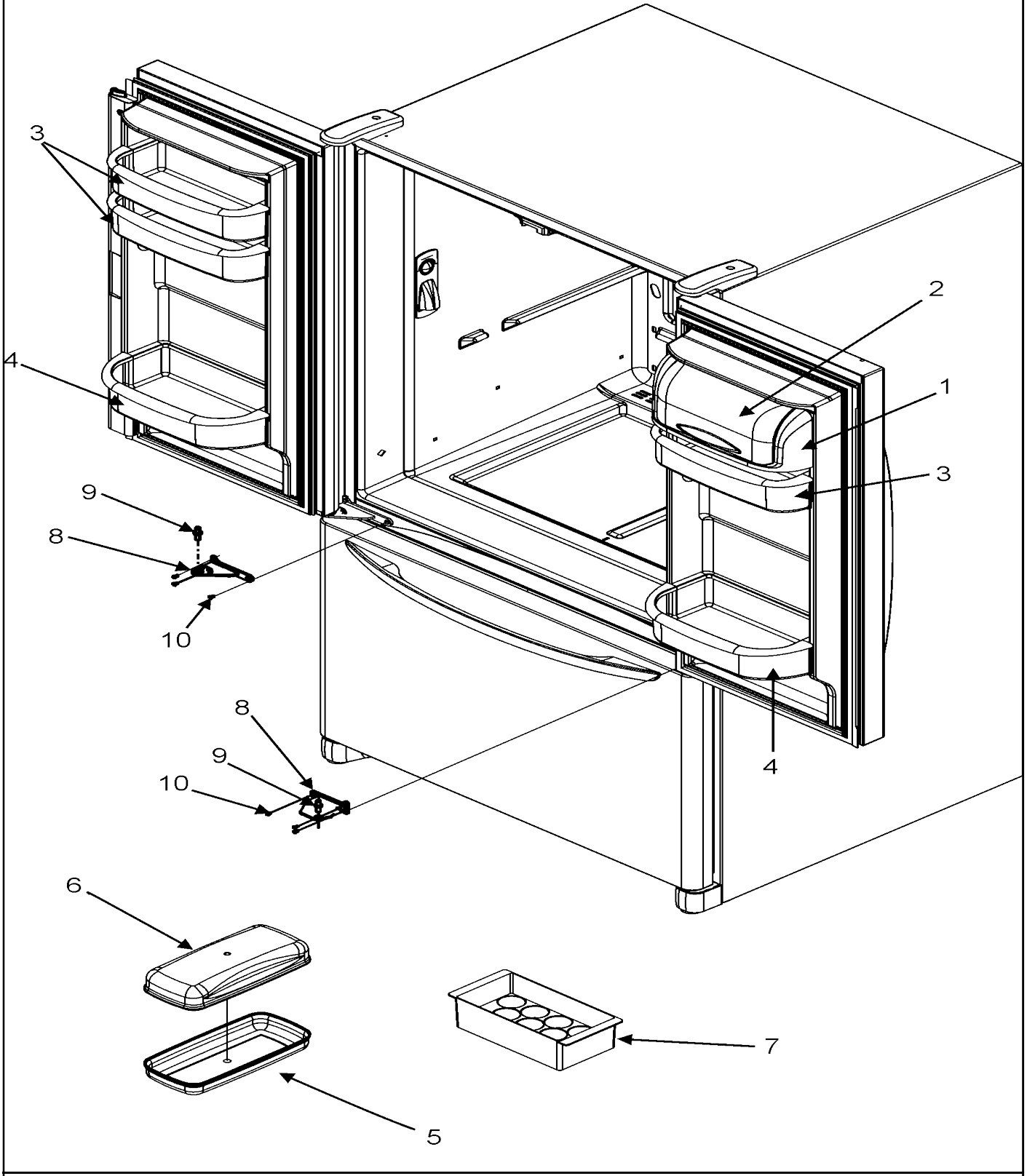


Refrigerador Maytag MFD2560HES

No.	Part No.	Description	Series	Qty
1	67004002	DOOR ASSY., FRZ. FOAM (STNLS)	10	1
2	M0210816	SCREW, SM	10	8
3	67003559	GASKET, FZ DOOR (BLK)	10	1
4	A3080001	PLUG, BUTTON (BLK)	10	1
5	67001016	PLUG, BUTTON (BLK)	10	2

*Color Code (-)=Not Shown #=Series, Serial Prefix or Run No., N=Not Available

Model: MFD2560HES

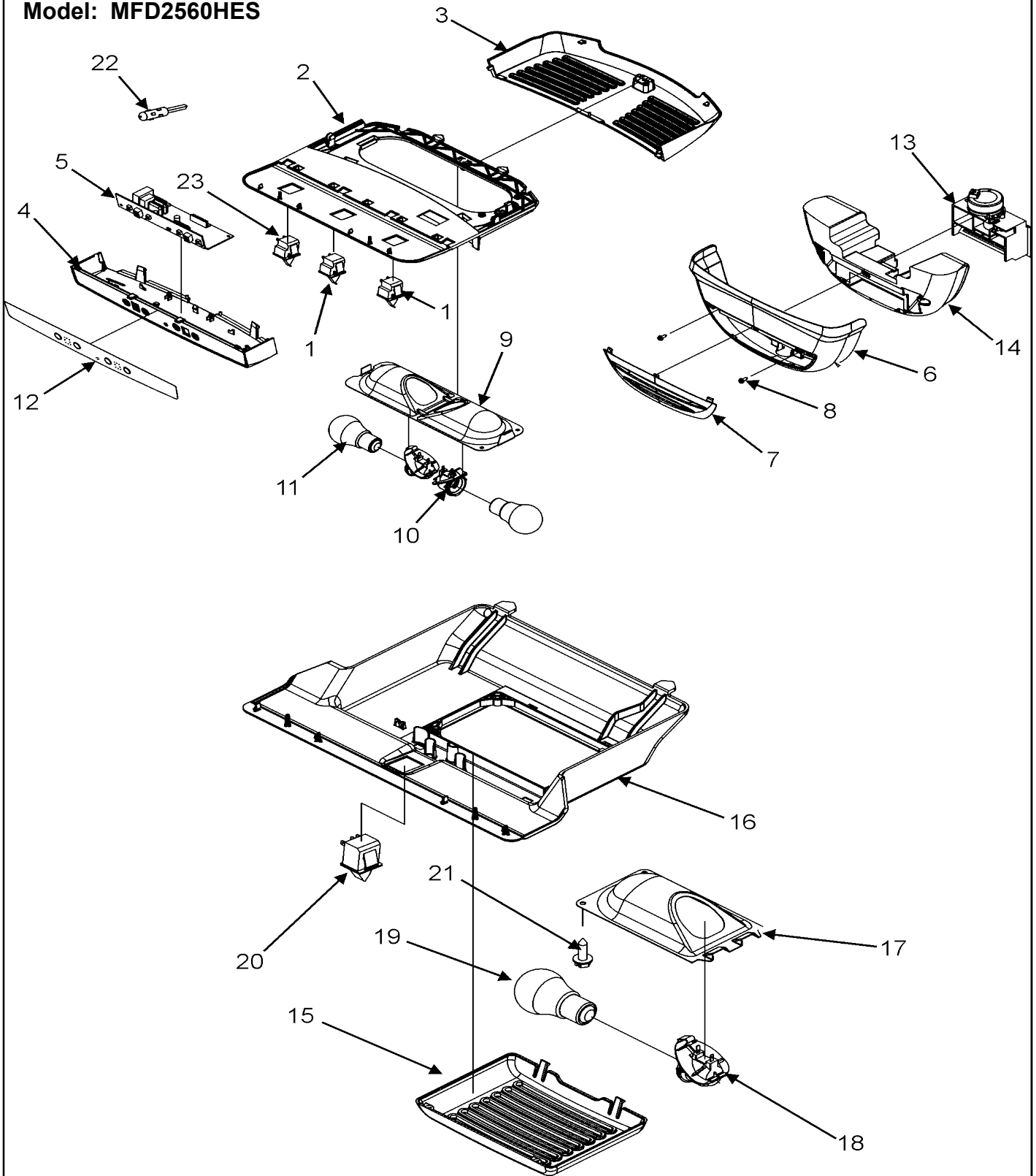




Refrigerador Maytag MFD2560HES

No.	Part No.	Description	Series	Qty
1	67001279	TRAY, DAIRY	10	1
2	67003637	DOOR, DAIRY	10	1
3	67004040	BUCKET, REF DR (MED)	10	3
4	67004641	BUCKET, REF DR GAL	10	2
5	67004404	TRAY, BUTTER	10	1
6	67004405	LID, BUTTER TRAY	10	1
7	67215-2	TRAY, EGG	10	1
8	67001167	HINGE, CENTER (BLK)	10	2
9	67002734	PIN, CENTER HINGE	10	2
10	M0226233	SCREW, T. F. Note: SCREW, CENTER HINGE	10	6

Model: MFD2560HES



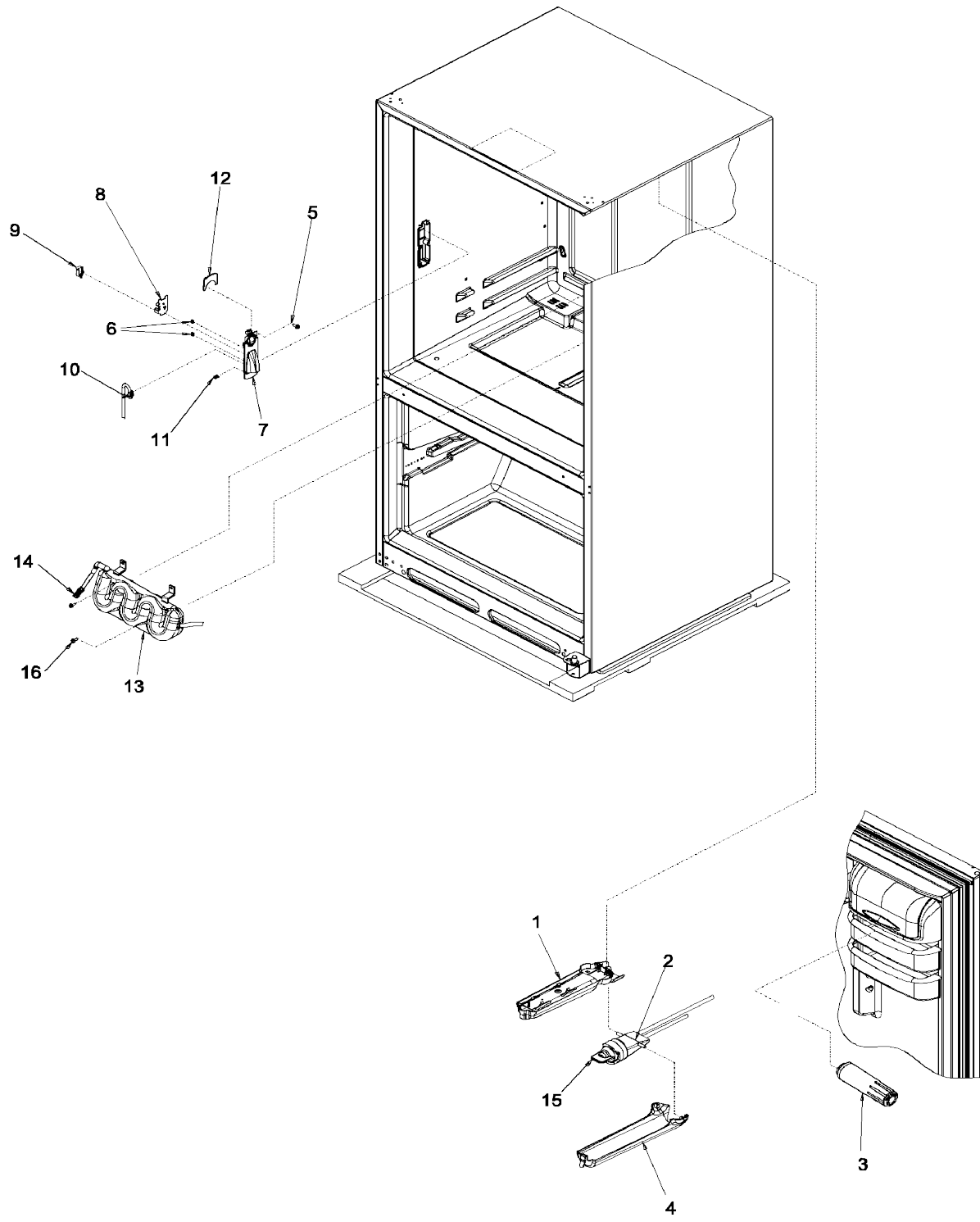


Refrigerador Maytag MFD2560HES

No.	Part No.	Description	Series	Qty
1	C3680310	SWITCH, LIGHT	10	2
2	67004078	MODULE, LIGHT	10	1
3	67003897	COVER, REF LIGHT	10	1
4	67004005	MODULE, REF CONTROL	10	1
5	12002445	BOARD KIT, CONTROL	10	1
6	67003899	COVER, DAMPER	10	1
7	67003900	INSERT, DAMPER COVER	10	1
8	M0213132	SCREW Note: SCREW, DAMPER BASE	10	2
9	67003901	HOUSING, LIGHT	10	2
10	12570701	SOCKET, LIGHT	10	2
11	67003883	BULB, LIGHT *	10	2
12	67004642	OVERLAY, CONTROL MODULE	10	1
13	67003903	DAMPER, CONTROL	10	1
14	67003904	INSULATION, DAMPER CONTROL	10	1
15	67003905	COVER, FZ LIGHT	10	1
16	67003906	MODULE, FZ CONTROL	10	1
17	67001035	HOUSING, LIGHT	10	1
18	12570701	SOCKET, LIGHT	10	1
19	67003883	BULB, LIGHT *	10	1
20	12466101	SWITCH, LIGHT/INTRLK	10	1
21	M0226528	SCREW, TC Note: SCREW, HOUSING	10	1
22	12002355	THERMISTOR KIT	10	1
23	67003940	SWITCH, ENERGY SAVER	10	1
-	67003908	HARNESS, FZ MODULE	10	1
-	67004032	HARNESS, FF CONTROL	10	1

*Color Code (-)=Not Shown #=Series, Serial Prefix or Run No., N=Not Available

Model: MFD2560HES



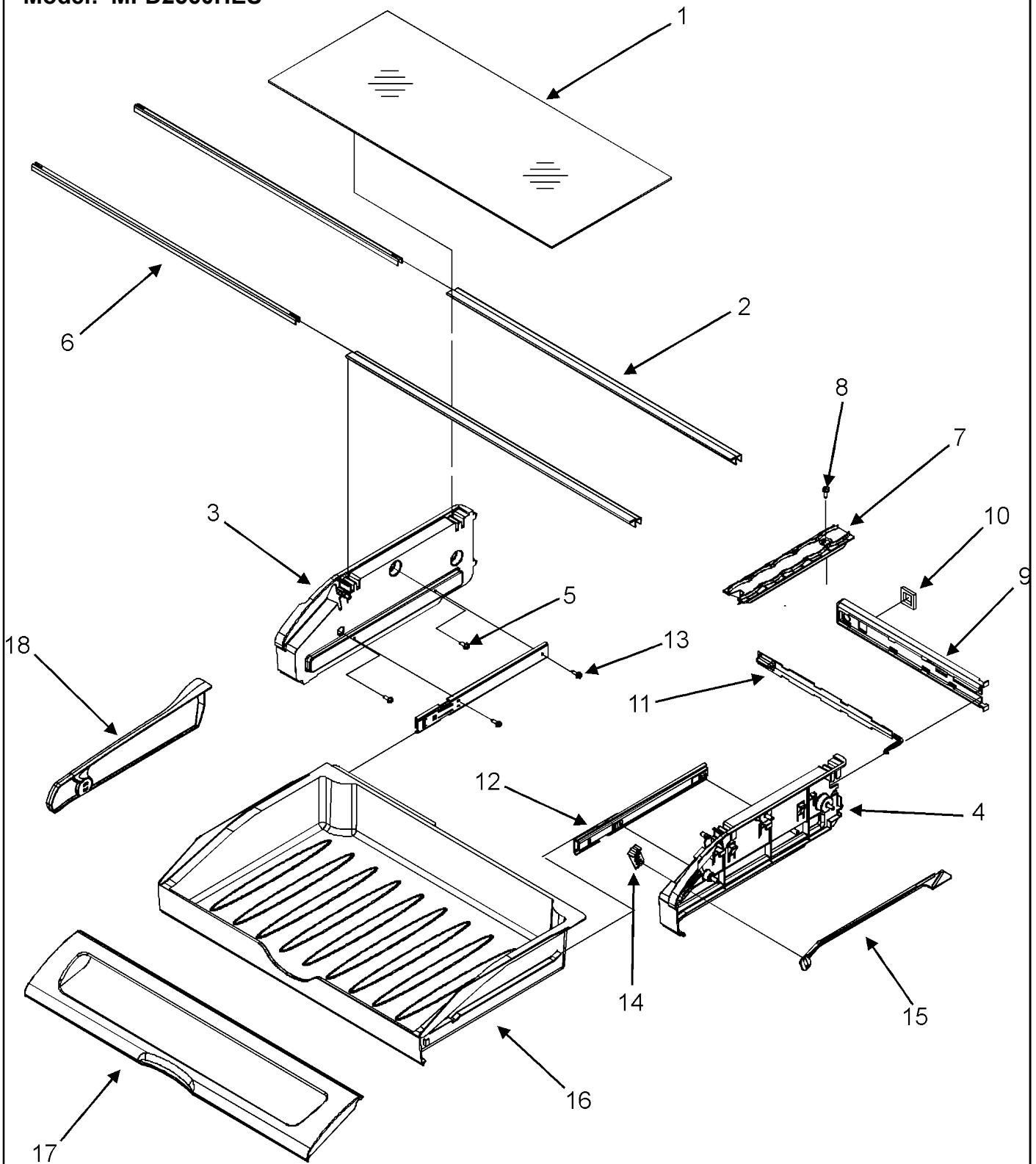


Refrigerador Maytag MFD2560HES

No.	Part No.	Description	Series	Qty
1	67001668	PLATE, FILTER BACKING	10	1
2	67004106	HEAD, WATER FILTER (W/TUBING)	10	1
3	67003591	FILTER, WATER SINGLE Note: FILTER, WATER	10	1
4	12568001	COVER, FILTER	10	1
5	M0211018	SCREW, SM Note: SCREW	10	2
6	B8390302	CLIP, FACADE	10	2
7	67002979	FACADE, DISPENSER	10	1
8	67002742	PLATE, SWITCH	10	1
9	12575501	SWITCH, LIMIT	10	1
10	67003728	GUIDE, WATER LINE	10	1
11	67002816	CLIP, WATERLINE	10	1
12	67002977	FACADE, DISPENSER TOP	10	1
13	67004091	TANK, WATER	10	1
14	61006182	UNION, TUBE (5/16"-5/16")	10	1
15	12664501	PLUG, BYPASS	10	1
16	M0238642	SCREW, SM Note: SCREW	10	5

*Color Code (-)=Not Shown #=¹⁴Series, Serial Prefix or Run No., N=Not Available

Model: MFD2560HES



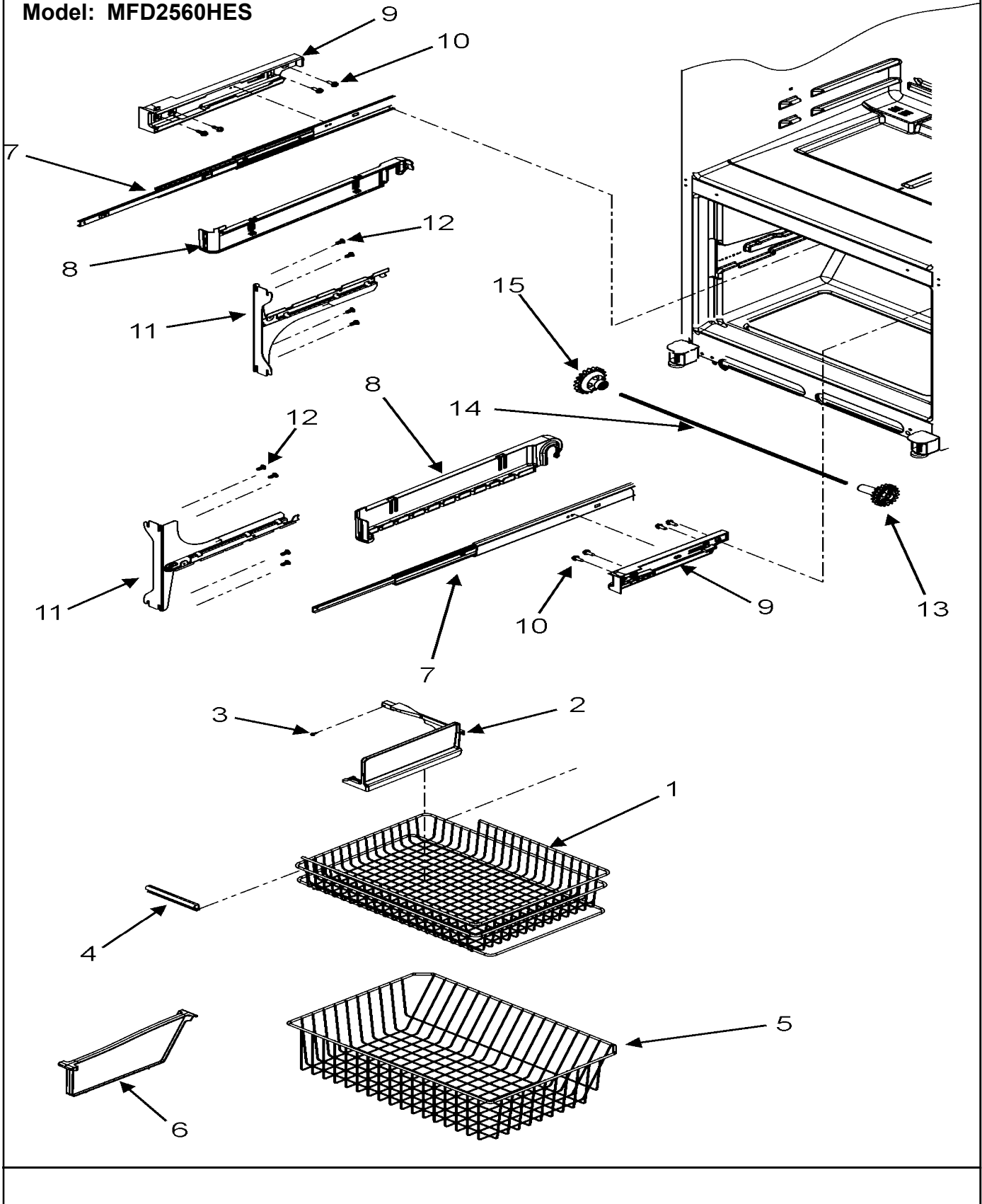


Refrigerador Maytag MFD2560HES

No.	Part No.	Description	Series	Qty
1	67002761	GLASS, PANTRY	10	1
2	67002331	EXTR, GLASS SUPPORT	10	2
3	67002757	END CAP, PANTRY (LT)	10	1
4	67003281	END CAP, PANTRY (RT) Note: END CAP, RH PANTRY	10	1
5	M0238636	SCREW-SM Note: SCREW, END CAP	10	6
6	67002330	BRACE, PANTRY	10	2
7	67001719	TRACK, DELI DRAWER	10	1
8	M0238642	SCREW, SM Note: SCREW, TRACK	10	1
-	M0238642	SCREW, SM Note: SCREW, HOUSING	10	2
9	67002328	HOUSING, CONTROL	10	1
10	67002329	GASKET, PANTRY	10	1
11	67003793	SLIDE, TEMP CONTROL	10	1
12	67002752	GLIDE, PANTRY DOOR	10	2
13	M0211533	SCREW, MOUNTING Note: SCREW, GLIDE	10	4
14	67003791	KNOB, TEMP CONTROL	10	1
15	67003795	BAR, TEMP CONTROL	10	1
16	67003531	DRAWER, PANTRY	10	1
17	67004643	LID, PANTRY	10	1
18	67002759	DIVIDER, PANTRY	10	1

*Color Code (-)=Not Shown #=Series, Serial Prefix or Run No., N=Not Available

Model: MFD2560HES



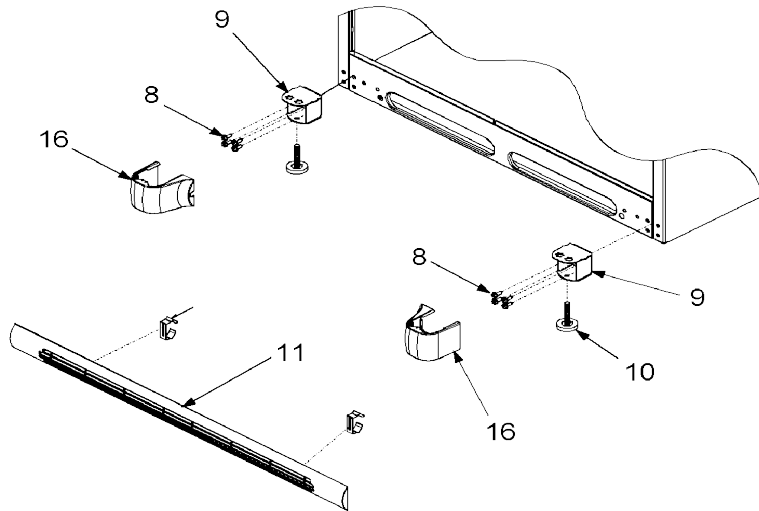
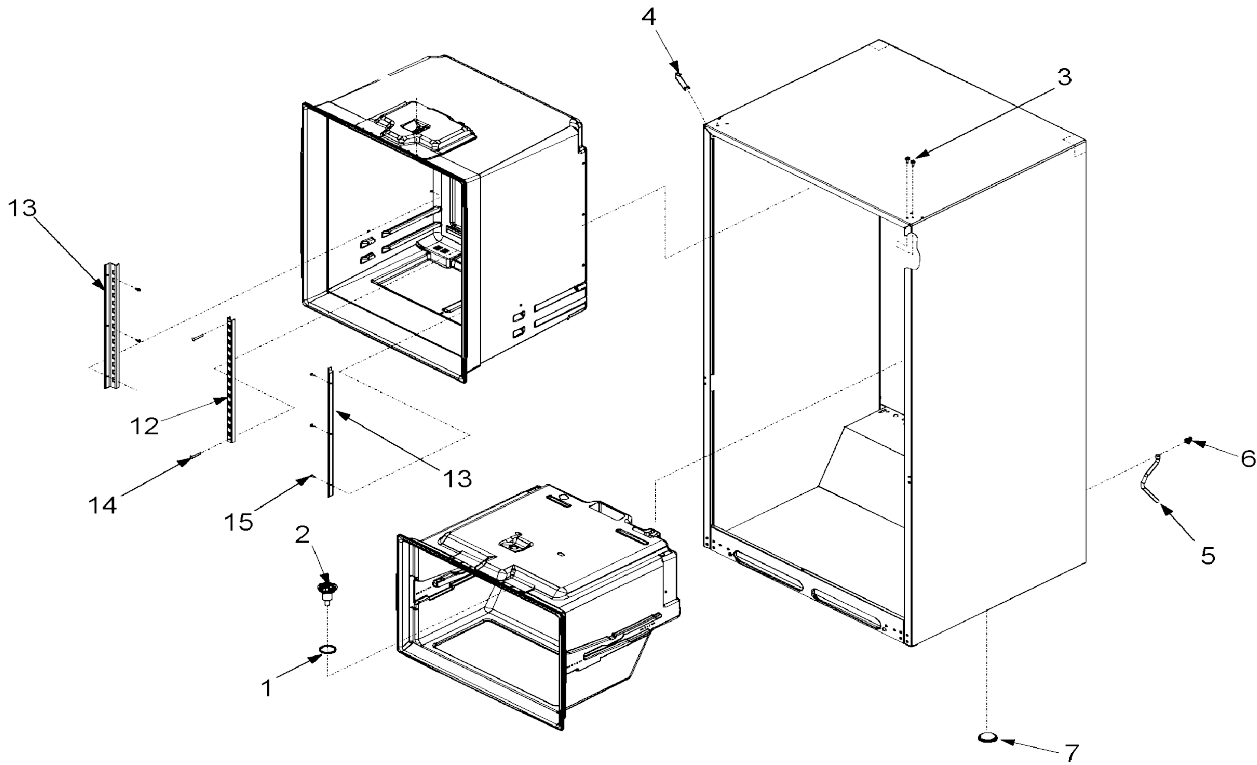


Refrigerador Maytag MFD2560HES

No.	Part No.	Description	Series	Qty
1	67002765	BASKET, UPPER	10	1
2	67001723	DIVIDER, BASKET (UPPER)	10	1
3	67001310	SCREW Note: SCREW, DIVIDER	10	1
4	10508506	HANDLE, BASKET/SHELF	10	1
5	67004079	BASKET, FRZ. (LWR)	10	1
6	67004064	DIVIDER, BASKET (LWR)	10	1
7	67004065	SLIDE, DRAWER	10	2
8	67004014	CRADLE, BASKET (LT)	10	1
8	67004015	CRADLE, BASKET (RT)	10	1
9	67004010	ADAPTER, SIDE (LT)	10	1
9	67004011	ADAPTER, SIDE (RT)	10	1
10	M0211021	SCREW 1" Note: SCREW, ADAPTER	10	8
11	67004012	BRACKET, DRAWER SLIDE (LT)	10	1
11	67004013	BRACKET, DRAWER SLIDE (RT)	10	1
12	M0211018	SCREW, SM Note: SCREW, BRACKET	10	8
13	67004066	GEAR (LT)	10	1
14	67004017	SHAFT, RACK	10	1
15	67004016	GEAR (RT)	10	1

*Color Code (-)=Not Shown #=Series, Serial Prefix or Run No., N=Not Available

Model: MFD2560HES



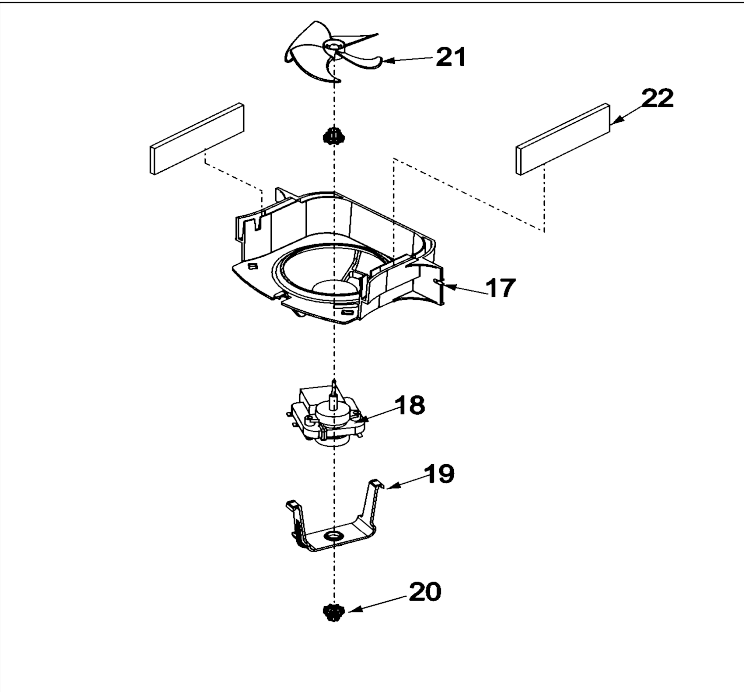
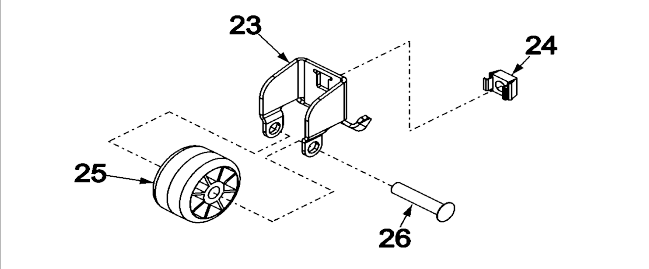
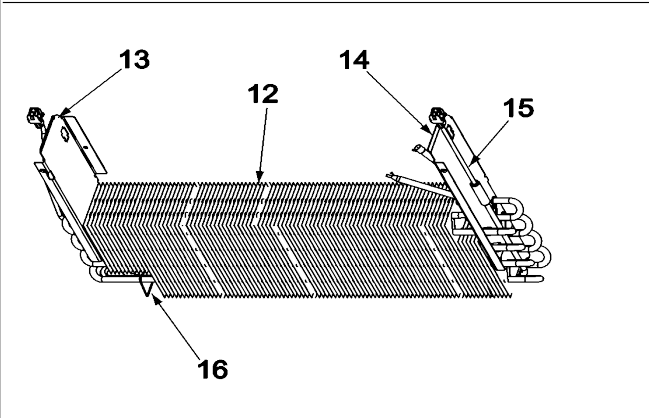
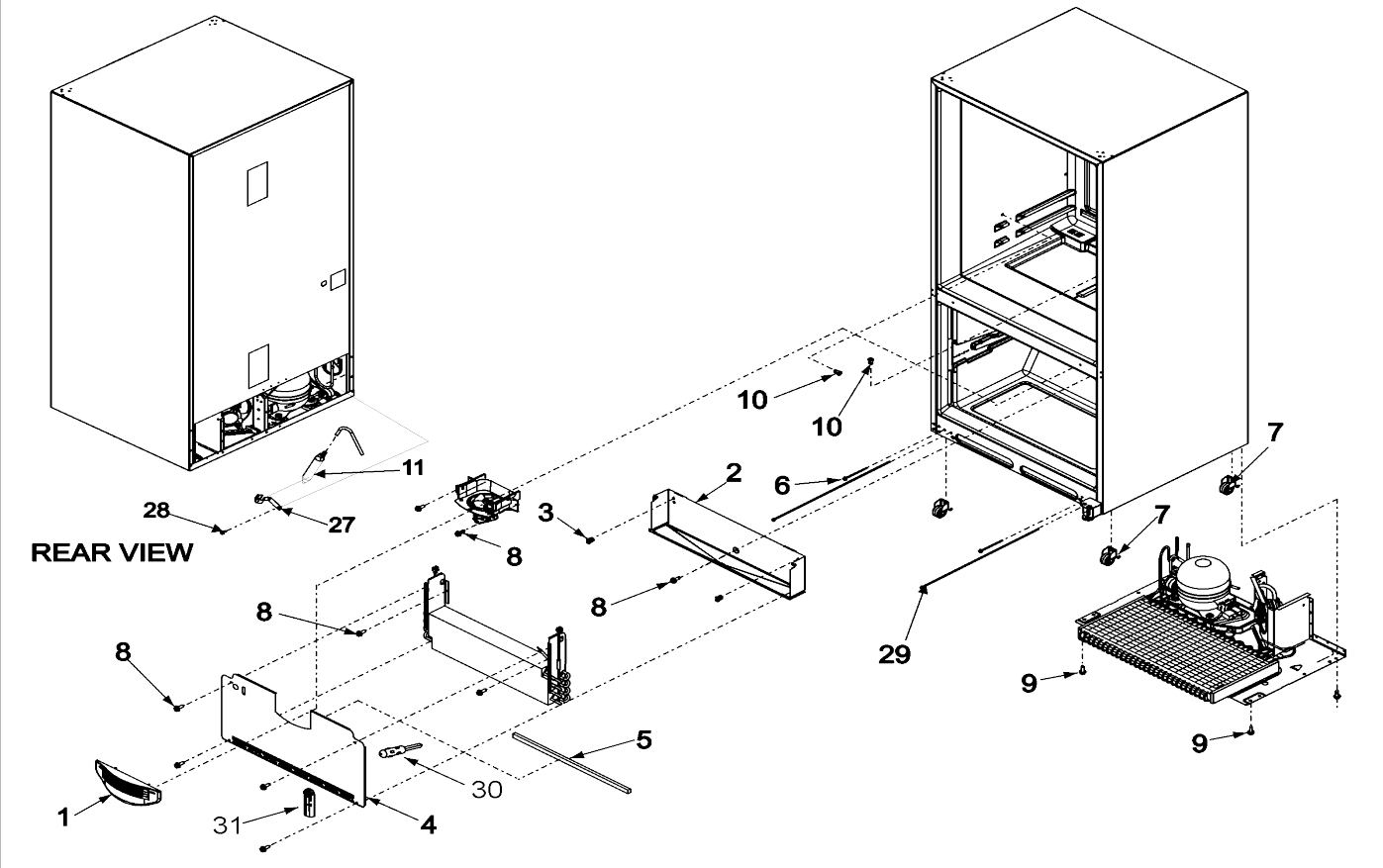


Refrigerador Maytag MFD2560HES

No.	Part No.	Description	Series	Qty
1	M0500703	SEAL, O RING	10	1
-	B8381501	GASKET, DRAIN TUBE	10	1
2	D7753903	FUNNEL, DRAIN	10	1
3 N	A4539607	POP RIVET	10	3
4	67003485	COVER, CORNER (BLK)	10	2
5	67001066	TUBE, DRAIN	10	1
6	67001067	CLIP, DRAIN TUBE	10	1
7	A3076901	PLUG, BUTTON	10	1
8	67003858	SCREW, BOTTOM HINGE Note: SCREW, LOWER HINGE	10	8
9	67001238	HINGE, BOTTOM E-CT (BLK) Note: HINGE, LOWER (BLK)	10	2
10	10354001	BRAKE, FOOT	10	2
11	67002224	GRILLE ASSY., TOE (BLK) Note: (INCL. CLIPS)	10	1
-	12627302	CLIP, TOE GRILLE	10	2
12	67004644	LADDER, CENTER	10	1
-	67003721	ADAPTER, CTR LADDER	10	1
13	67004645	LADDER, L/R SIDE	10	2
14	M0231425	SCREW Note: SCREW, LADDER (CTR)	10	2
15	M0238642	SCREW, SM Note: SCREW, LADDER (LT/RT)	10	6
16	12561901B	COVER, LWR HINGE (BLK)	10	2

*Color Code (-)=Not Shown #=Series, Serial Prefix or Run No., N=Not Available

Model: MFD2560HES



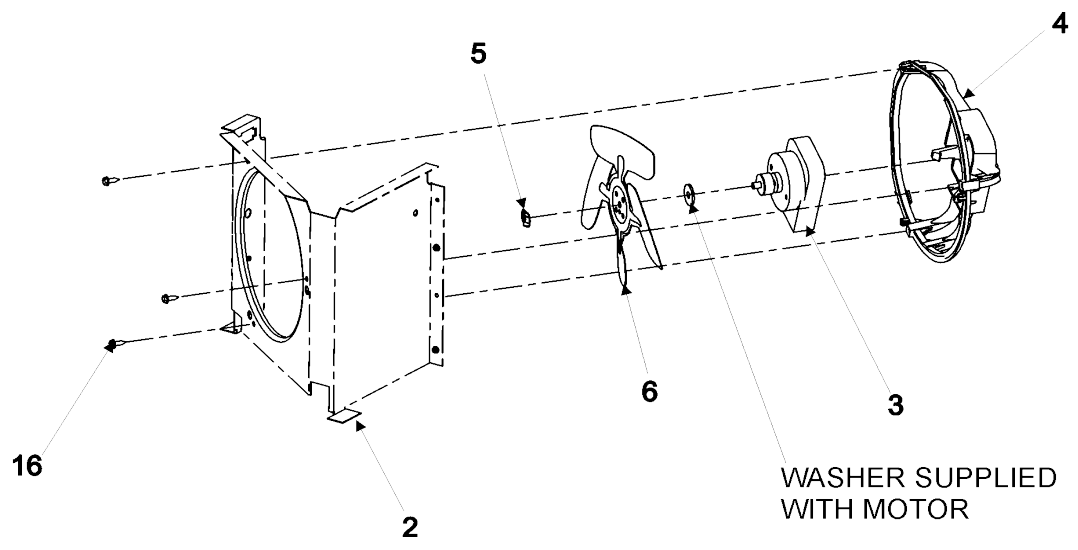
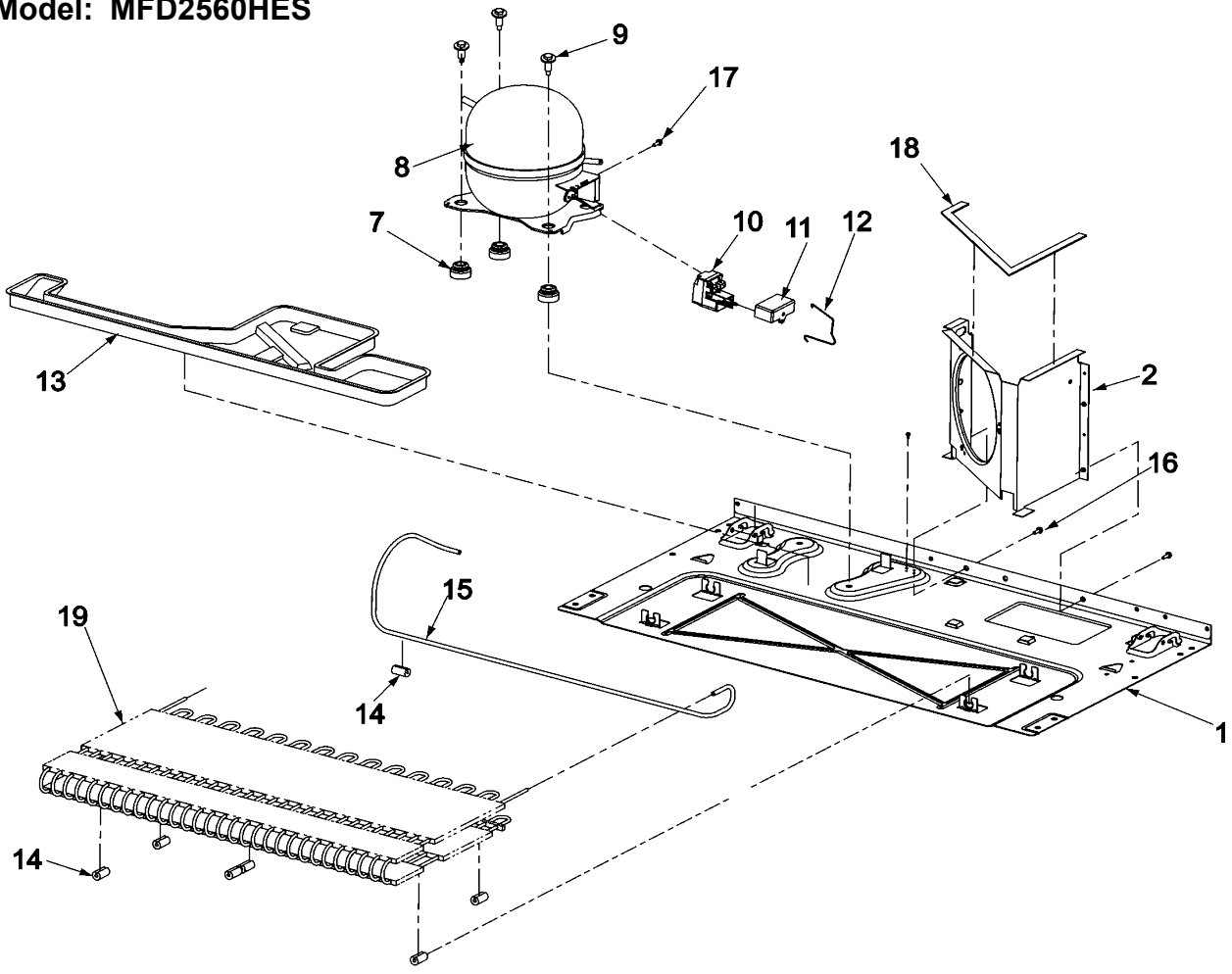


Refrigerador Maytag MFD2560HES

No.	Part No.	Description	Series	Qty
1	67001079	GRILLE, FZ AIR**	10	1
2	67002490	TRAY, DRIP E-CT Note: TRAY, DRIP	10	1
3	10623002	CLIP, EVAPORATOR	10	2
4	67004018	COVER, EVAPORATOR Note: COVER-EVAP	10	1
5	67002492	GASKET	10	1
6	12606102	BOLT, ROLLER ADJ	10	2
7	67002227	ROLLER BRACKET ASSY	10	4
8	M0238616	SCREW, SM Note: SCREW	10	5
9	M0260242	SCREW, TF Note: SCREW	10	4
10	M0580205	GROMMET, SCREW	10	3
11	B2150504	DRIER	10	1
12	12002041	KIT, EVAP REPLACEMENT Note: EVAPORATOR KIT (INCL. HEAT SHIELD, EVAP. & INSTR. SHEET).	10	1
13	67001083	DAM, LEFT RETURN	10	1
14	67001084	DAM, RIGHT RETURN	10	1
15	67002493	HEATER, DEFROST Note: HEATER, DEFROST	10	1
16	10428101	CLIP, EVAP HEATER	10	2
17	67002777	SHROUD, EVAP FAN	10	1
18	67003917	MOTOR, EVAP FAN	10	1
19	67002779	CLIP, EVAP MOTOR	10	1
20	67002780	GROMMET, FAN MOTOR (BLK)	10	2
21	12217201	FAN, EVAPORATOR Note: FAN, EVAP	10	1
22	67001291	GASKET, FOAM	10	2
23	12456801	BRACKET, ROLLER	10	4
24	M0286708	NUT, SPEED	10	4
25	10450602	ROLLER	10	4
26	M1205302	RIVET	10	4
27	10547002	CLIP, DRIER	10	1
28	M0220617	SCREW Note: SCREW	10	1
29	67002781	SCREW, ADJUSTING	10	2
30	12002355	THERMISTOR KIT	10	1
31	67003924	COVER, FZ THERMISTOR	10	1
-	67003426	THERMOSTAT, DEFROST	10	1
-	67004080	HARNES, EVAP HEATER	10	1

*Color Code (-)=Not Shown #=Series, Serial Prefix or Run No., N=Not Available

Model: MFD2560HES



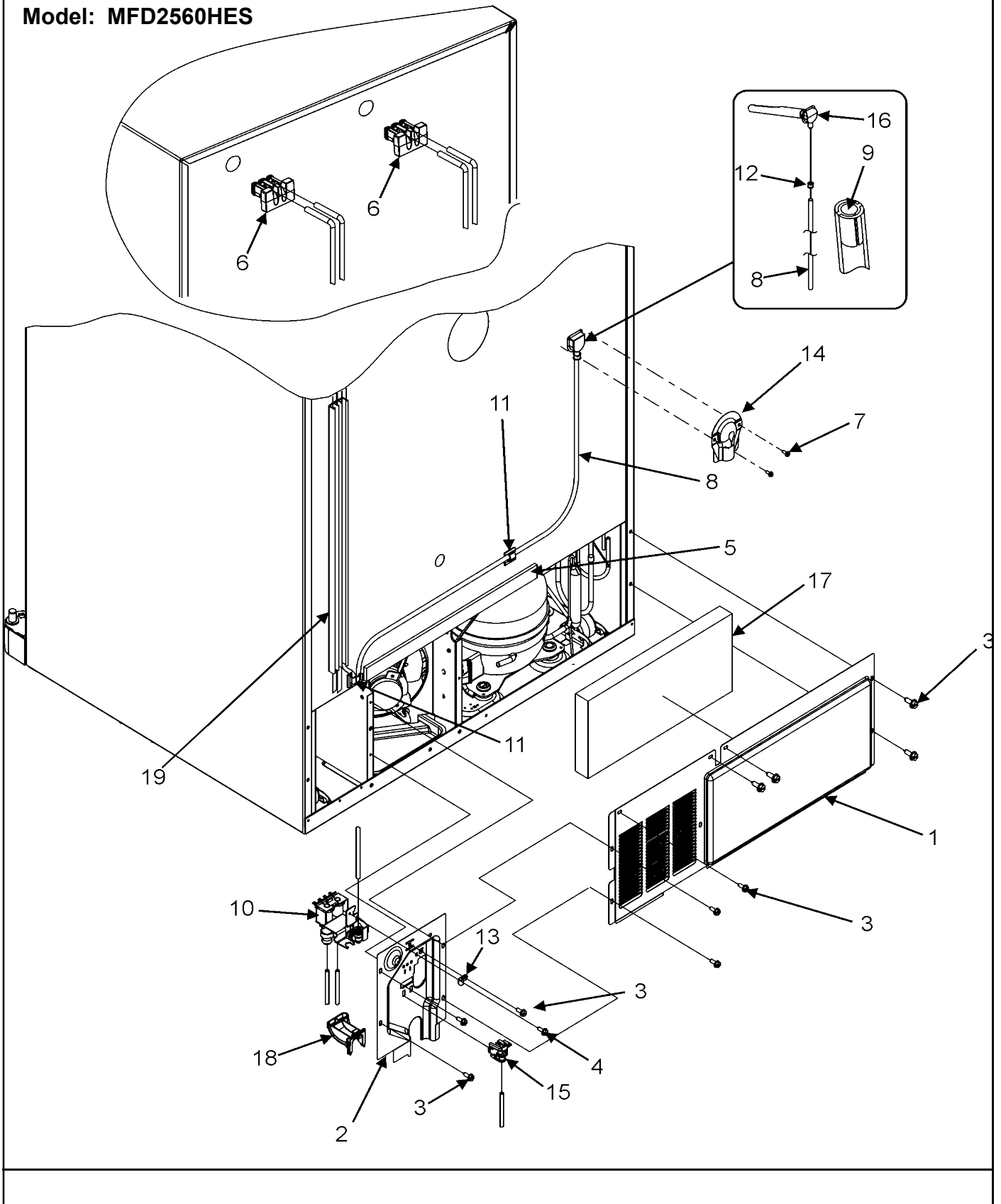


Refrigerador Maytag MFD2560HES

No.	Part No.	Description	Series	Qty
1	67001512	PAN, BASE	10	1
2	67001090	SHROUD, CONDENSER FAN	10	1
3	12628701	MOTOR, CONDENSER FAN (ECM)	10	1
4	67003644	BRKT, ECM COND MOTOR	10	1
5	12632601	NUT, ECM MOTOR	10	1
6	12587601	BLADE, COND FAN	10	1
7	67003493	GROMMET, COMPRESSOR	10	4
8	67003762	COMPRESSOR, TPG1370YXA(BM)	10	1
9 N	M0221523	SCREW, SHLDR Note: SCREW	10	3
10	67003764	OVERLOAD/RELAY W/CAPACITOR	10	1
11	C8931612	CAPACITOR	10	1
12	12576801	STRAP, BALE	10	1
13	12579801	PAN, DRAIN Note: PAN,DRAIN	10	1
14	12578601	GROMMET, CONDENSER	10	7
15	67002494	TUBE, DISCHARGE	10	1
16	M0238616	SCREW, SM Note: SCREW	10	2
17	M0231604	SCREW, TF Note: SCREW	10	2
18	61003210	SEAL	10	1
19	67003195	CONDENSER	10	1
20 N	10699602	TUBING, DAMPER 1.6 Note: TUBING, DAMPER	10	1
-	67004097	HARNES, MC	10	1

*Color Code (-)=Not Shown #=Series, Serial Prefix or Run No., N=Not Available

Model: MFD2560HES



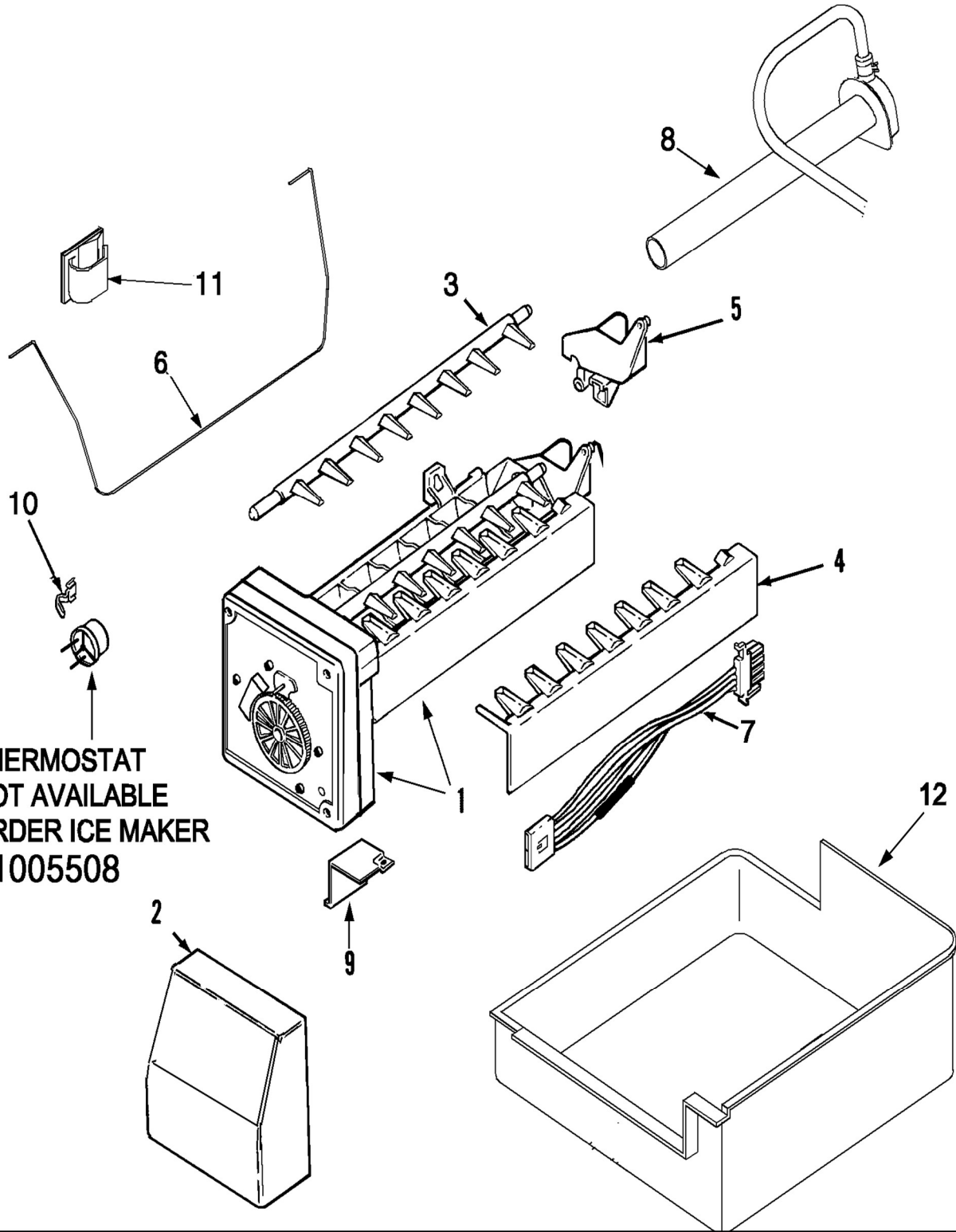


Refrigerador Maytag MFD2560HES

No.	Part No.	Description	Series	Qty
1	12575101ED	BACK, MACH COMP	10	1
2	67004098	COVER, WATER VALVE	10	1
3	M0238616	SCREW, SM Note: SCREW	10	10
4	M0251015	SCREW	10	3
5	B5759649	GASKET, MC BACK	10	1
6	67004092	BLOCK, FILTER	10	2
7	M0211018	SCREW, SM Note: SCREW, COVER	10	2
8	67003729	TUBE, PLASTIC	10	1
9	A3223101	INSERT, PLASTIC TUBE	10	1
10	67003818	VALVE, DUAL WATER	10	1
11	M0104106	CLIP	10	3
12	M0114003	CLIP, SPEED	10	1
13	M0108105	CLAMP, TUBE	10	1
14	67003331	COVER, WATER LINE	10	1
15	67004100	CLIP, WATERLINE	10	1
16	10463201	ELBOW, FILL TUBE	10	1
17	67003796	FIBER, ACOUSTIC	10	1
18	67004101	SWEEP, DUAL TUBE	10	1
19	67004102	TRACK, WATERLINE	10	1
-	M0104102	CLIP, CORD	10	2
-	12583301	CORD, POWER	10	1

*Color Code (-)=Not Shown #=Series, Serial Prefix or Run No., N=Not Available

Model: MFD2560HES



THERMOSTAT
 NOT AVAILABLE
 ORDER ICE MAKER
 61005508

*Color Code (-)=Not Shown #=Series, Serial Prefix or Run No., N=Not Available



Refrigerador Maytag MFD2560HES

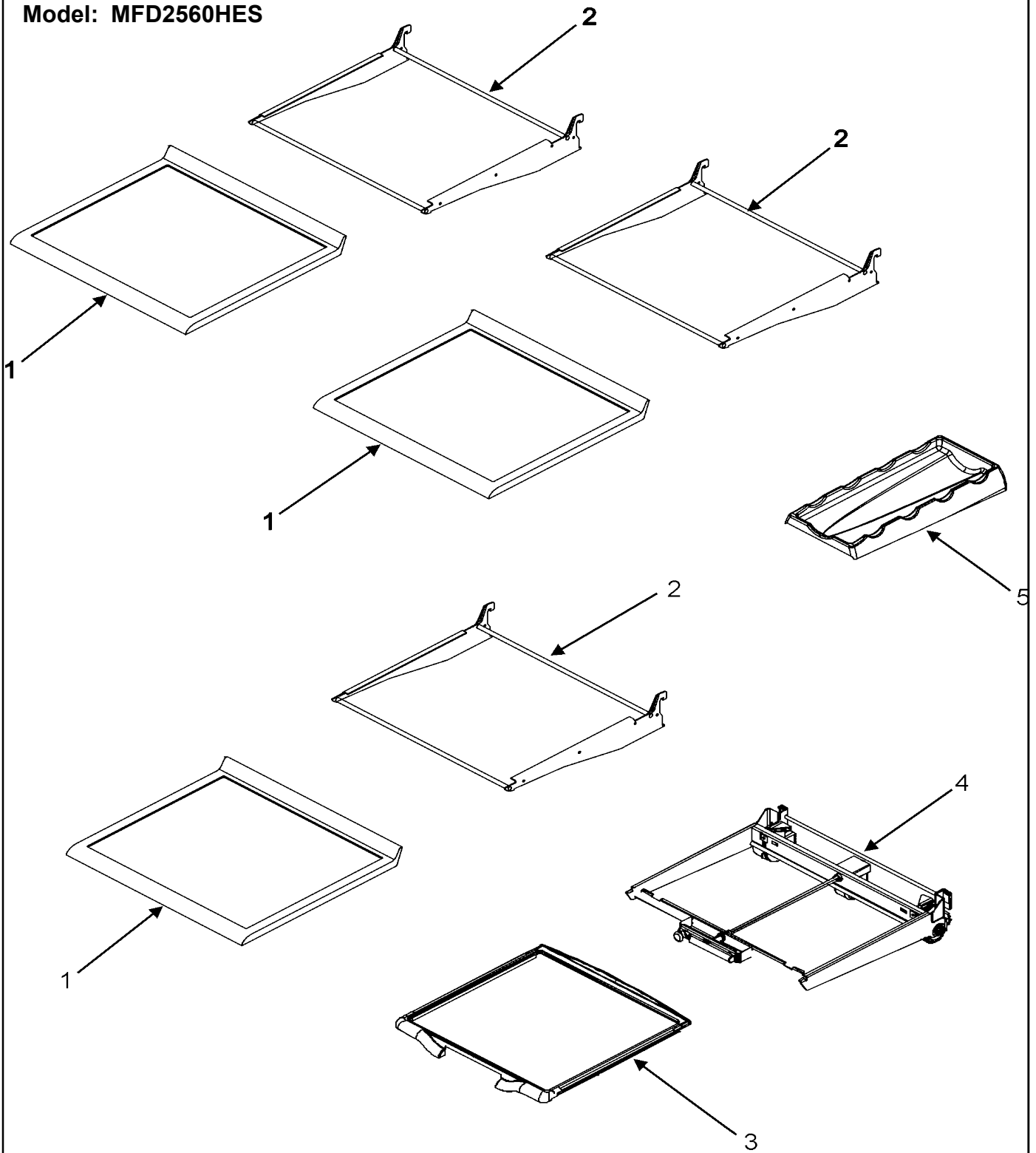
No.	Part No.	Description	Series	Qty
1	61005508	ICE MAKER ASSY.	10	1
-	M0211018	SCREW, SM Note: SCREW, ICE MAKER	10	3
-	67002823	BRKT, ICE MAKER	10	1
2	10519807	COVER, ICE MAKER	10	1
3	95101-1	EJECTOR, ICE	10	1
4	95102-1	STRIPPER, ICE	10	1
5	95100-1	INLET, WATER	10	1
6	67004028	ARM, IM SHUTOFF	10	1
7	67001489	HARNES, ICE MAKER*	10	1
8	10463201	ELBOW, FILL TUBE	10	1
9	95107-1	BRACKET, MODULE & HEATER	10	1
10	95104-1	RETAINER, THERMOSTAT	10	1
11	M0104106	CLIP	10	2
12	67001255	PAN, ICE	10	1
-	10244904	COUPLING	10	1
-	R0131235	ICE MAKER HOOK UP KIT Note: INCLUDES 1/4" OD X 25' COPPER TUBING, SADDLE VALVE (NON PIERCING), AND 1/4" OD COMPRESSION NUT AND SLEEVE.	10	1

*Color Code (-)=Not Shown #=Series, Serial Prefix or Run No., N=Not Available

No.	Part No.	Description	Series	Qty
-	67004646	SHEET, TECH DATA	10	1
-	12828104	MANUAL, USE & CARE	10	1
-	67004796	TAG, ENERGY	10	1
-	16022769	SVC MAN, BTM MT	10	1

*Color Code (-)=Not Shown #=Series, Serial Prefix or Run No., N=Not Available

Model: MFD2560HES



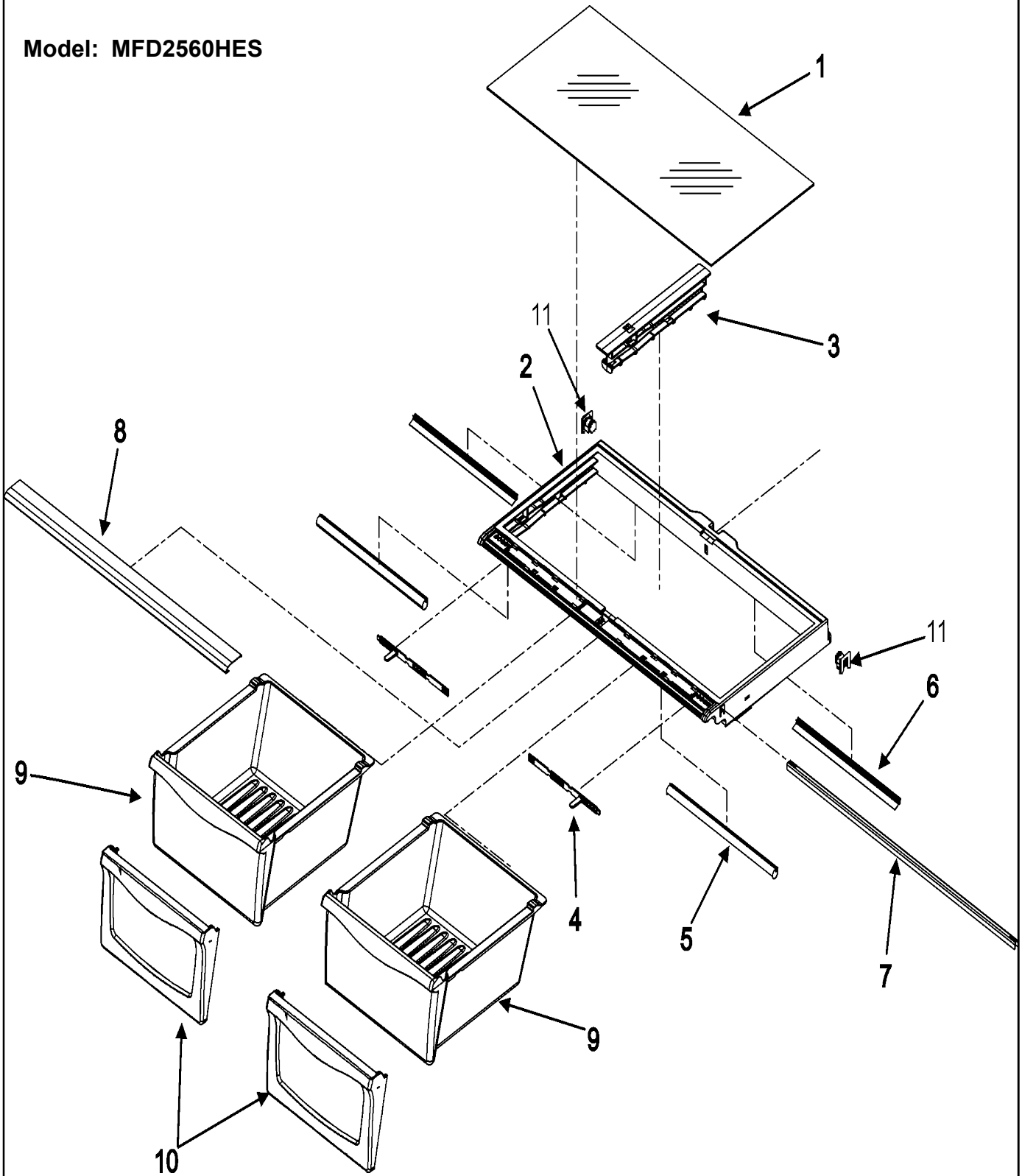


Refrigerador Maytag MFD2560HES

No.	Part No.	Description	Series	Qty
1	61002917	SHELF, SPILLPROOF	10	3
2	61005966	FRAME, SHELF	10	3
3	61004747	SHELF, ELEVATOR	10	1
4	Y61006052	FRAME ASSY., ELEVATOR SHELF	10	1
5	67001656	TRIVET, BOTTLE	10	1

*Color Code (-)=Not Shown #=Series, Serial Prefix or Run No., N=Not Available

Model: MFD2560HES





Refrigerador Maytag MFD2560HES

No.	Part No.	Description	Series	Qty
1	67003852	GLASS, CRISPER	10	1
2	67003854	FRAME, CRISPER	10	1
3	67004514	RAIL, CENTER CRISPER	10	1
4	Y67001287	SLIDE, HUMIDITY CONTROL	10	2
5	67003417	SEAL, FRONT CRISPER	10	2
6	67002513	SEAL, REAR CRISPER	10	2
7	67002748	BRACE, CRISPER E-CT	10	1
8	67004510	EXTR, FRONT CRISPER	10	1
9	67004515	PAN, CRISPER	10	2
10	67004516	FRONT, CRISPER PAN	10	2
11	12603701	SUPPORT, CRISPER FRAME	10	2

*Color Code (-)=Not Shown #=Series, Serial Prefix or Run No., N=Not Available

Section: WIRING INFORMATION

Model: MFD2560HES

