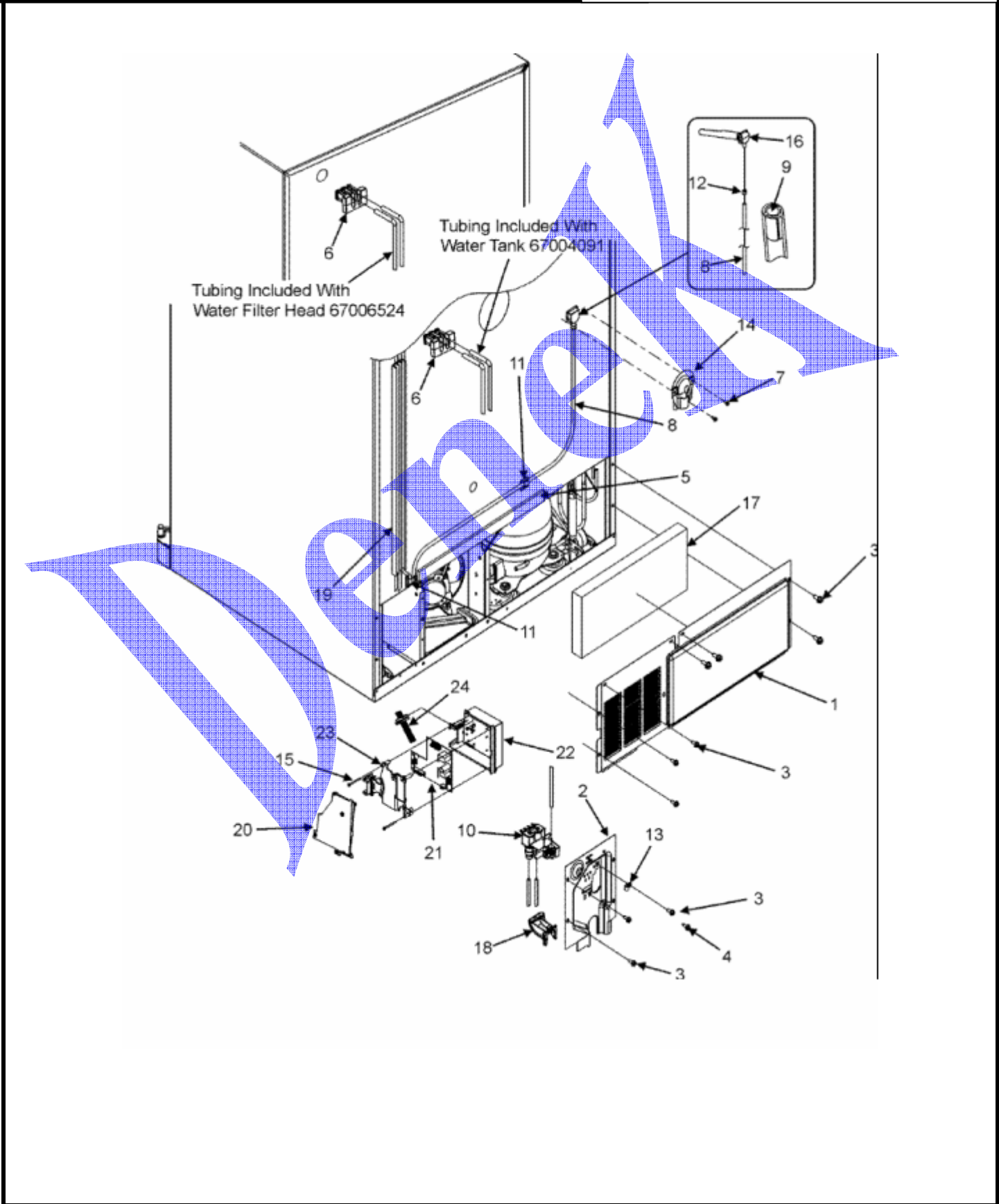


REF. MTG. MODEL. MFD2561KES

PARTE TRASERA DEL GABINETE



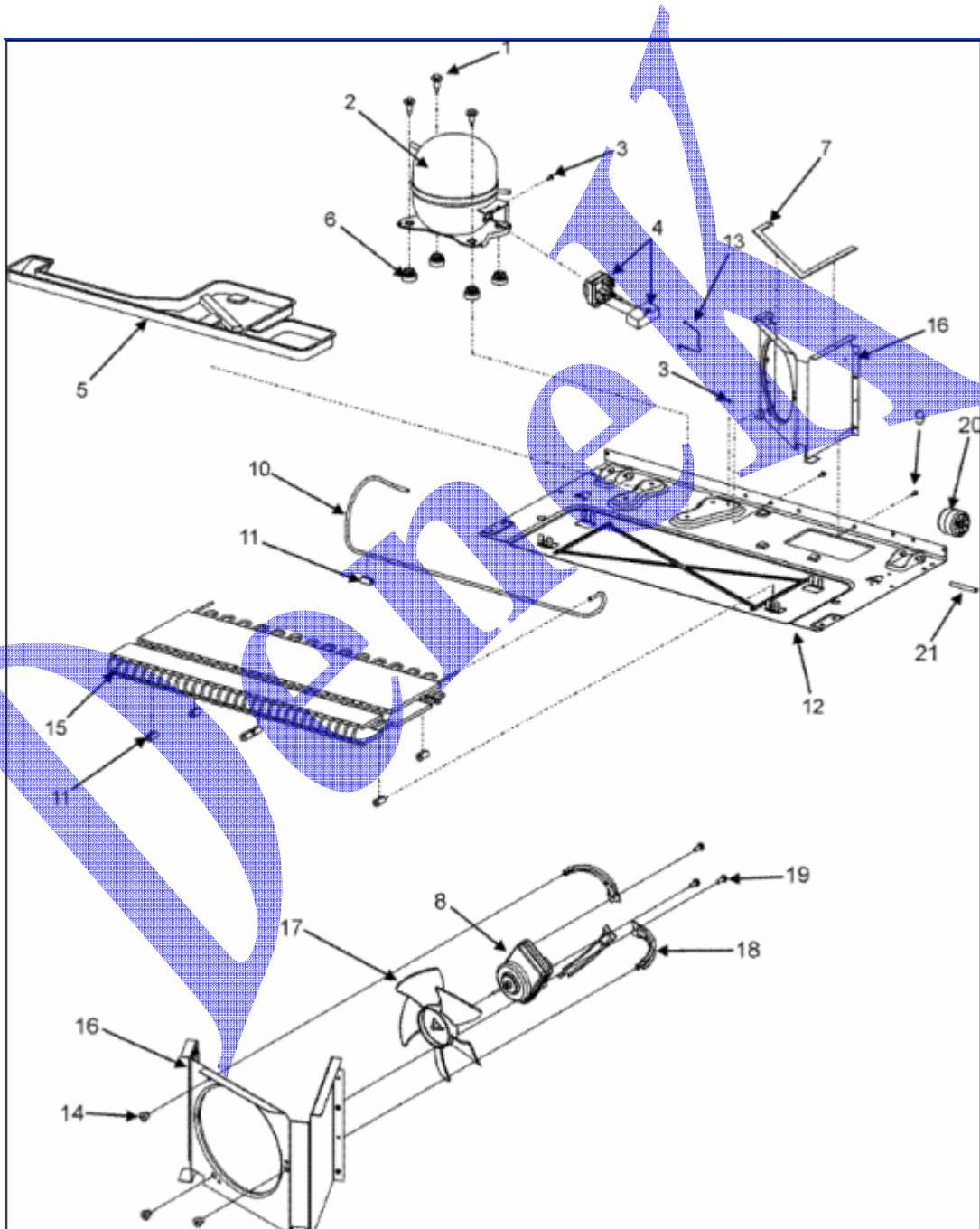
REF. MTG. MODEL. MFD2561KES

PARTE TRASERA DEL GABINETE

NUMERO	N. DE PARTE	DESCRIPCION
1	67006101	COVER, MC BACK
2	67004098	COVER, WATER VALVE
3	67006425	SCREW, SM
4	67006662	SCREW
5	B5759649	GASKET, MC BACK
6	67004092	BLOCK, FILTER
7	67006287	SCREW
8	67003729	TUBE, PLASTIC
9	A3223101	INSERT, PLASTIC TUBE
10	67006531	VALVE, DUAL WATER
11	M0104106	CLIP
12	M0114003	CLIP, SPEED
13	M0108105	CLAMP, TUBE
14	67003331	COVER, WATER LINE
15	67005420	SCREW, SM
16	10463201	ELBOW, FILL TUBE
17	67003796	FIBER, ACOUSTIC
18	67004101	SWEEP, DUAL TUBE
19	67004102	TRACK, WATERLINE
20	67005421	COVER, HV BOX
20	67006615	SCREW
21	67006211	BOARD, HV CONTROLx
22	67004969	BOX, HV CONTROL
23	67005418	SPACER, HV BOX
24	67005419	HARNESS, HV BOARD
25	67006506	CORD, POWER

REF. MTG. MODEL. MFD2561KES

AREA DEL COMPRESOR



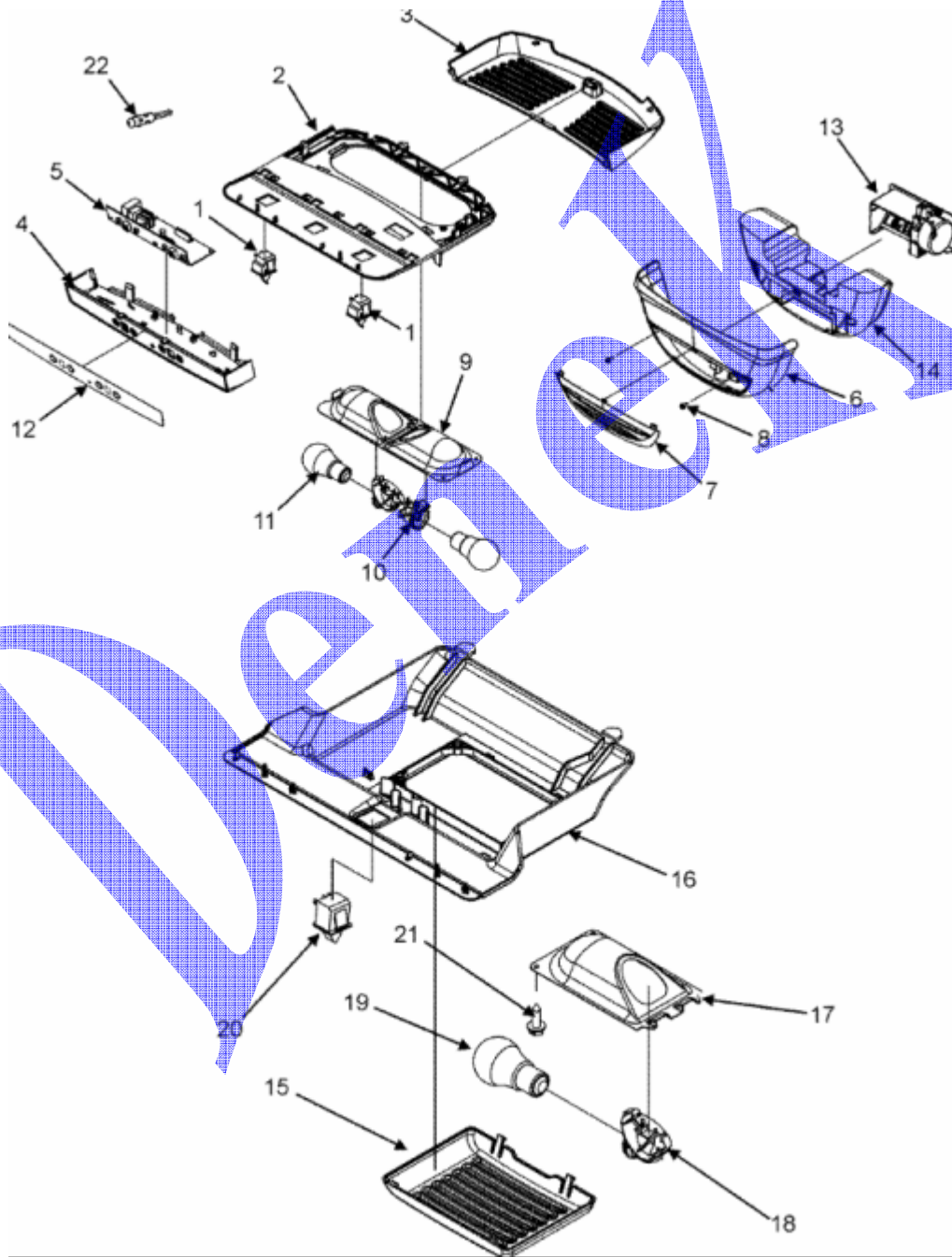
REF. MTG. MODEL. MFD2561KES

AREA DEL COMPRESOR

NUMERO	N. DE PARTE	DESCRIPCION
1	67006432	SCREW, SHOULDER
2	12002634	KIT, COMPRESSOR
3	67006433	SCREW
4	67005560	OVERLOAD/RELAY W/CAPACITOR
5	67004464	PAN, DRAIN
6	67003493	GROMMET, COMPRESSOR
7	61003210	SEAL
8	67004432	MOTOR, CONDENSER FAN
9	67006425	SCREW, SM
10	67004700	TUBE, DISCHARGE
11	67005680	GROMMET, CONDENSER
12	67005889	PAN, BASE
13	12576801	STRAP, BALE
14	61004743	GROMMET, BRACKET
15	67006131	CONDENSER
16	67001090	SHROUD, CONDENSER FAN
17	67004952	BLADE, COND FAN
18	67004953	BRACKET, COND MOTOR
19	67004954	SCREW
20	67005149	ROLLER
21	67006434	AXLE, ROLLER
22	67005435	HARNESS, MC

REF. MTG. MODEL. MFD2561KES

CONTROLES



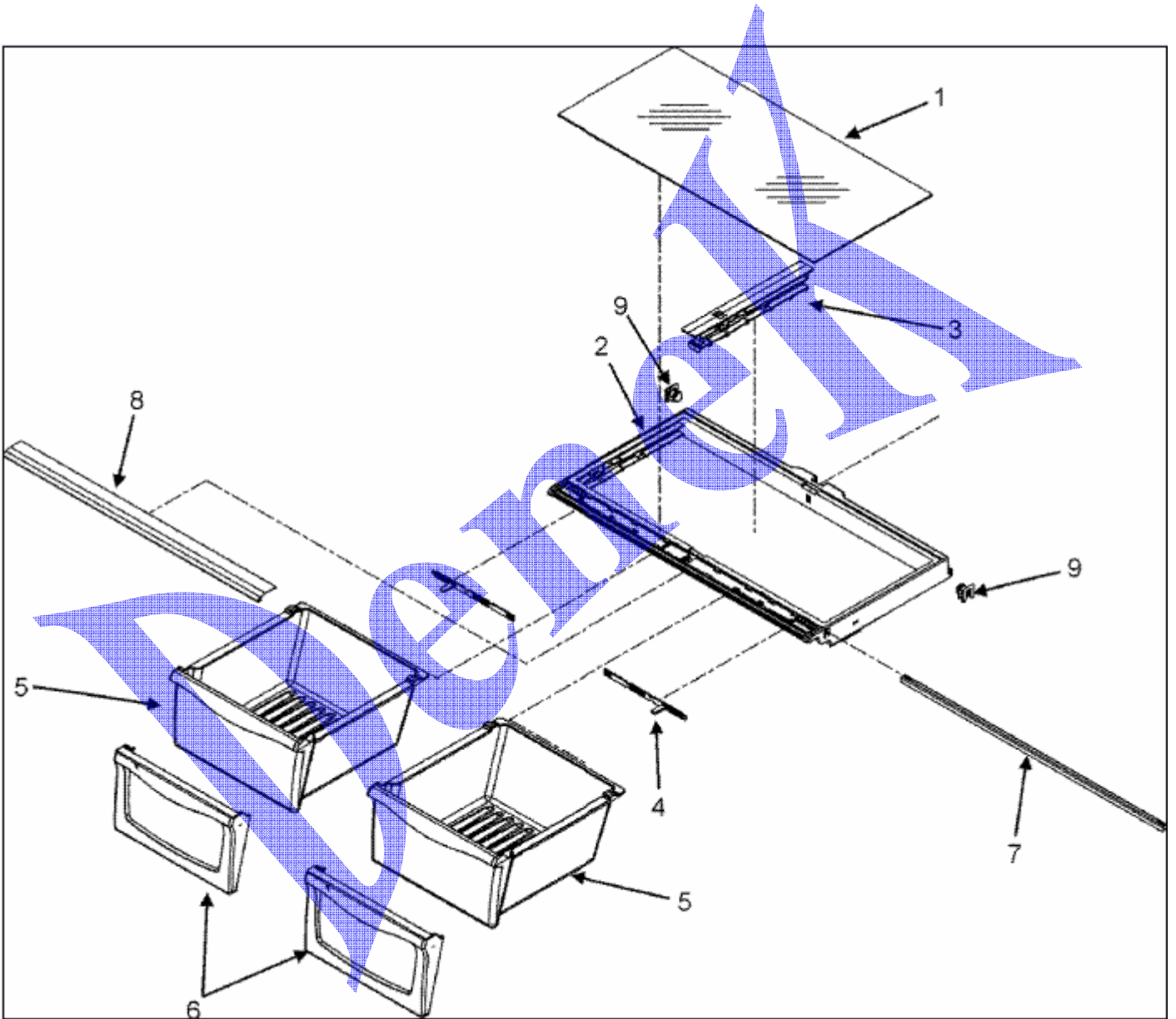
REF. MTG. MODEL. MFD2561KES

CONTROLES

NUMERO	N. DE PARTE	DESCRIPCION
1	C3680310	SWITCH, LIGHT
2	67004078	MODULE, LIGHT
3	67003897	COVER, REF LIGHT
4	67005444	MODULE, REF CONTROL
5	67005397	BOARD, CONTROL
6	67003899	COVER, DAMPER
7	67003900	INSERT, DAMPER COVER
8	67006602	SCREW
9	67003901	HOUSING, LIGHT
10	Y12570701	SOCKET, LIGHT
11	67003883	BULB, LIGHT
12	Y67005640	KEYBOARD
13	67006116	DAMPER, ELEC CONTROL
14	67006604	INSULATION, DAMPER CONTROL
15	67003905	COVER, FZ LIGHT
16	67003906	MODULE, FZ CONTROL
17	67001035	HOUSING, LIGHT
18	Y12570701	SOCKET, LIGHT
19	67003883	BULB, LIGHT
20	67005653	SWITCH, LIGHT/INTLK
21	67006530	SCREW, TC
22	12002356	THERMISTOR KIT
23	67006094	HARNESS, FZ MODULE
23	67005417	HARNESS, FF CONTROL

REF. MTG. MODEL. MFD2561KES

CAJONES



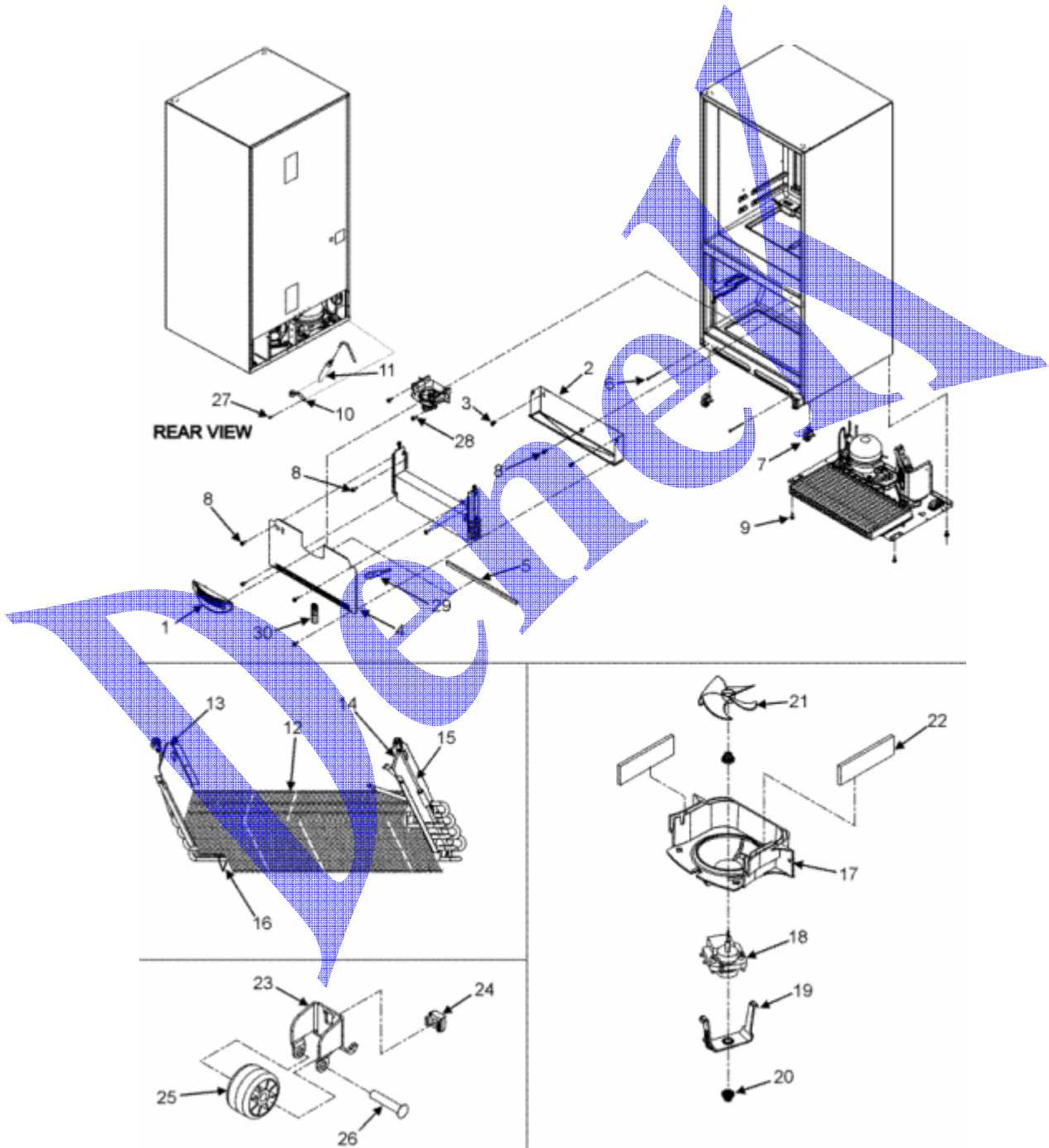
REF. MTG. MODEL. MFD2561KES

CAJONES

NUMERO	N. DE PARTE	DESCRIPCION
1	67003852	GLASS, CRISPER
2	67003854	FRAME, CRISPER
3	67004514	RAIL, CENTER CRISPER
4	67005864	SLIDE, HUMIDITY CONTROL
5	67004515	PAN, CRISPER
6	67005923	FRONT, CRISPER PAN
7	67002748	BRACE, CRISPER E-CT
8	67004510	EXTR, FRONT CRISPER
9	12603701	SUPPORT, CRISPER FRAME

REF. MTG. MODEL. MFD2561KES

AREA DEL EVAPORADOR



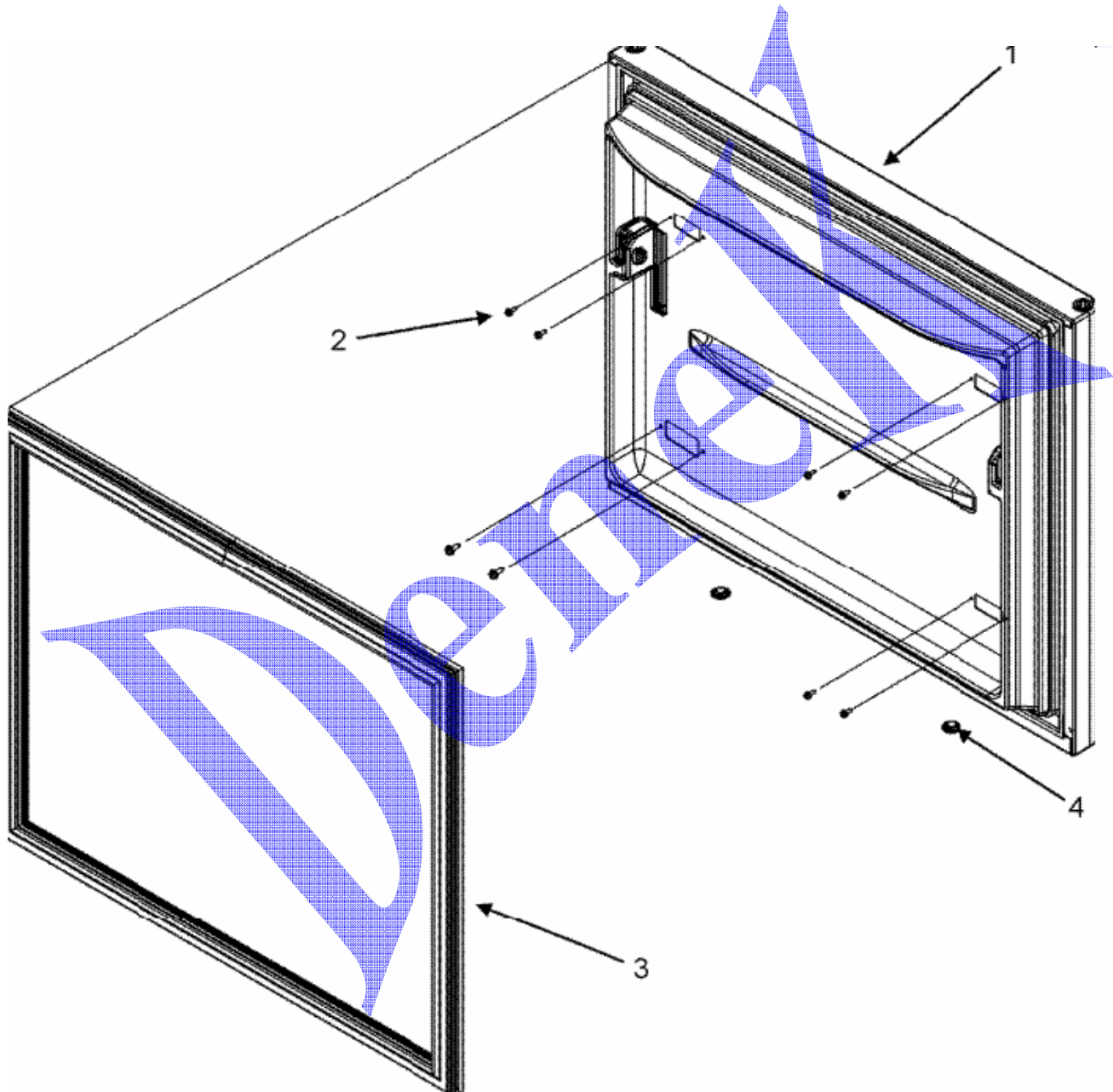
REF. MTG. MODEL. MFD2561KES

AREA DEL EVAPORADOR

NUMERO	N. DE PARTE	DESCRIPCION
1	67006609	GRILLE, FZ AIR
2	67002490	TRAY, DRIP E CT
3	10623002	CLIP, EVAPORATOR
4	67005873	COVER, EVAPORATOR
5	67002492	GASKET
6	12606102	BOLT, ROLLER ADJ
7	67002227	ROLLER BRACKET ASSY
8	67006425	SCREW, SM
9	67006573	SCREW
10	10547002	CLIP, DRIER
11	B2150504	DRIER
12	12002041	KIT, EVAP REPLACEMENT
13	67001083	DAM, LEFT RETURN
14	67001084	DAM, RIGHT RETURN
15	67002493	HEATER, DEFROST
16	10428101	CLIP, EVAP HEATER
17	67002777	SHROUD, EVAP FAN
18	67003917	MOTOR, EVAP FAN
19	67002779	CLIP, EVAP MOTOR
20	67002780	GROMMET, FAN MOTOR
21	67005695	FAN, EVAP
22	67001291	GASKET, FOAM
23	12456801	BRACKET, ROLLER
24	M0286708	NUT, SPEED
25	67005127	ROLLER
26	M1205302	RIVET
27	67006737	SCREW
28	67006287	SCREW
29	12002356	THERMISTOR KIT
30	67003924	COVER, FZ THERMISTOR
31	67003426	THERMOSTAT, DEFROST
32	67005641	HARNESS, EVAP HEATER

REF. MTG. MODEL. MFD2561KES

PUERTA DEL CONGELADOR



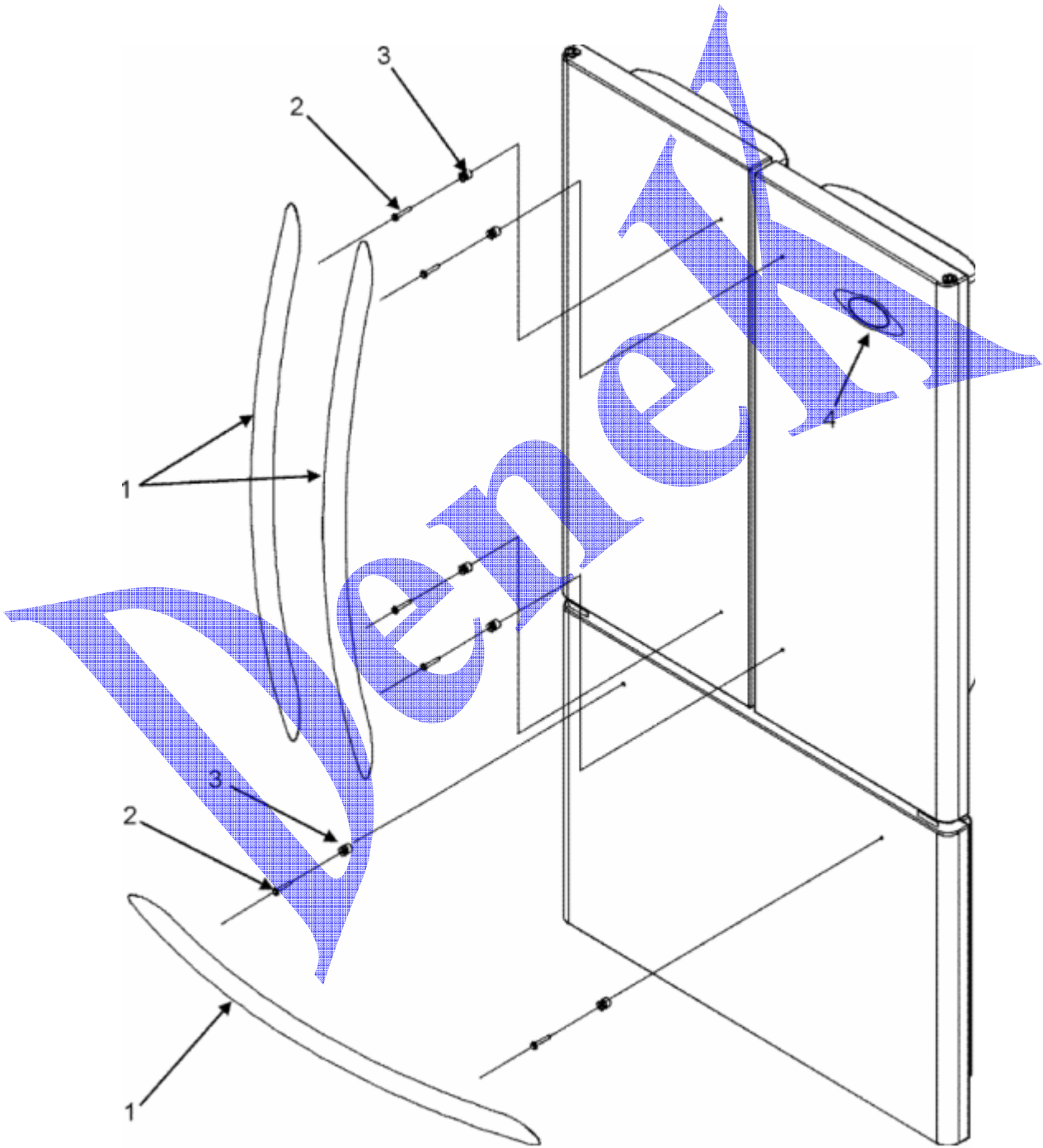
REF. MTG. MODEL. MFD2561KES

PUERTA DEL CONGELADOR

NUMERO	N. DE PARTE	DESCRIPCION
1	67006596	DOOR ASSY., FRZ. FOAM (STNLS)
2	67006408	SCREW, SM HEX HEAD
3	67003559	GASKET, FZ DOOR (BLK)
4	67004838	PLUG, VENT (BLK)

REF. MTG. MODEL. MFD2561KES

MANIJAS



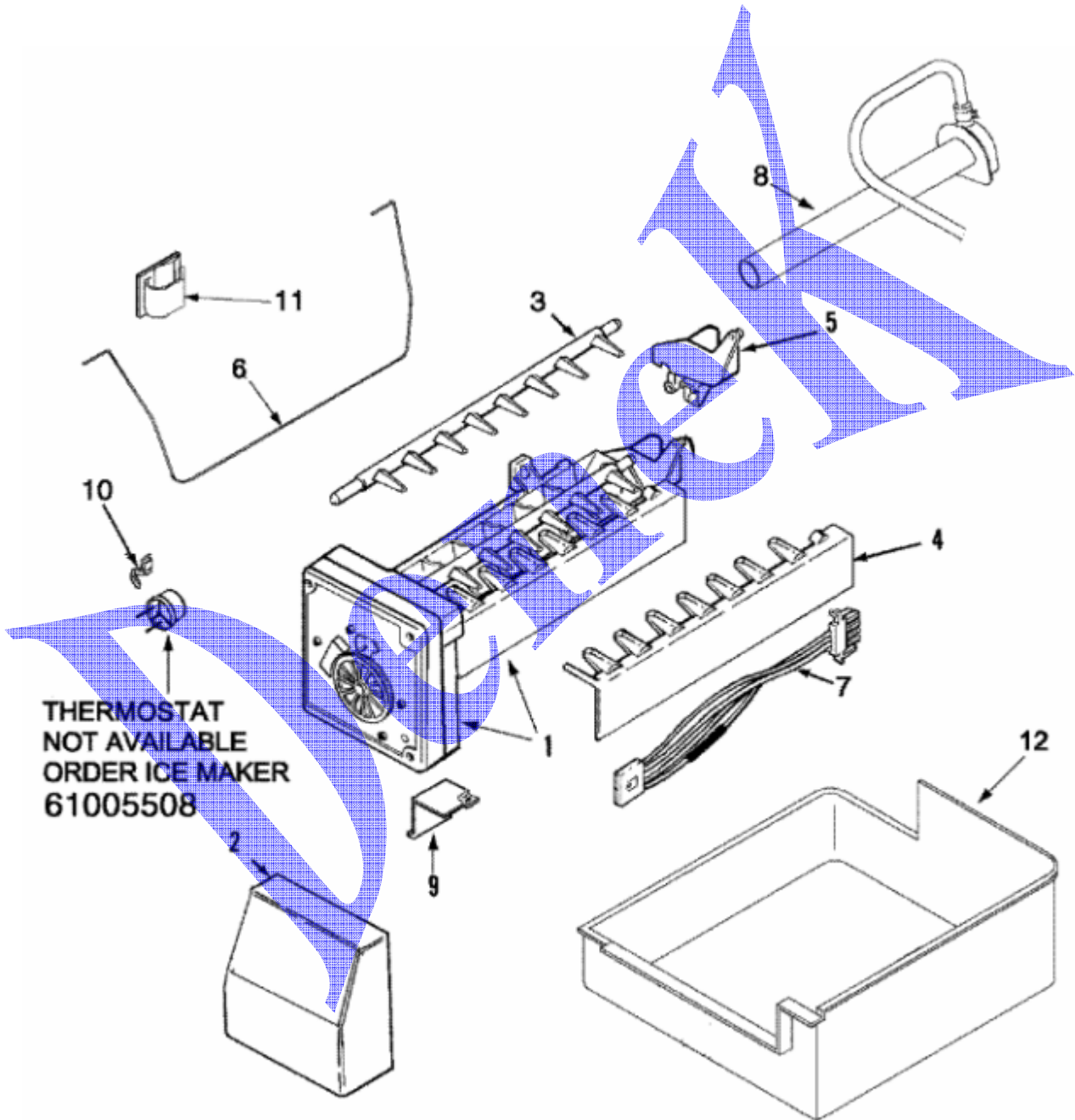
REF. MTG. MODEL. MFD2561KES

MANIJAS

NUMERO	N. DE PARTE	DESCRIPCION
1	67006391	HANDLE ASSY., DOOR (STNLS)
2	67002935	SCREW, MOUNT
3	67006113	MOUNT, HANDLE
4	67006439	NAMEPLATE

REF. MTG. MODEL. MFD2561KES

ICE MAKER



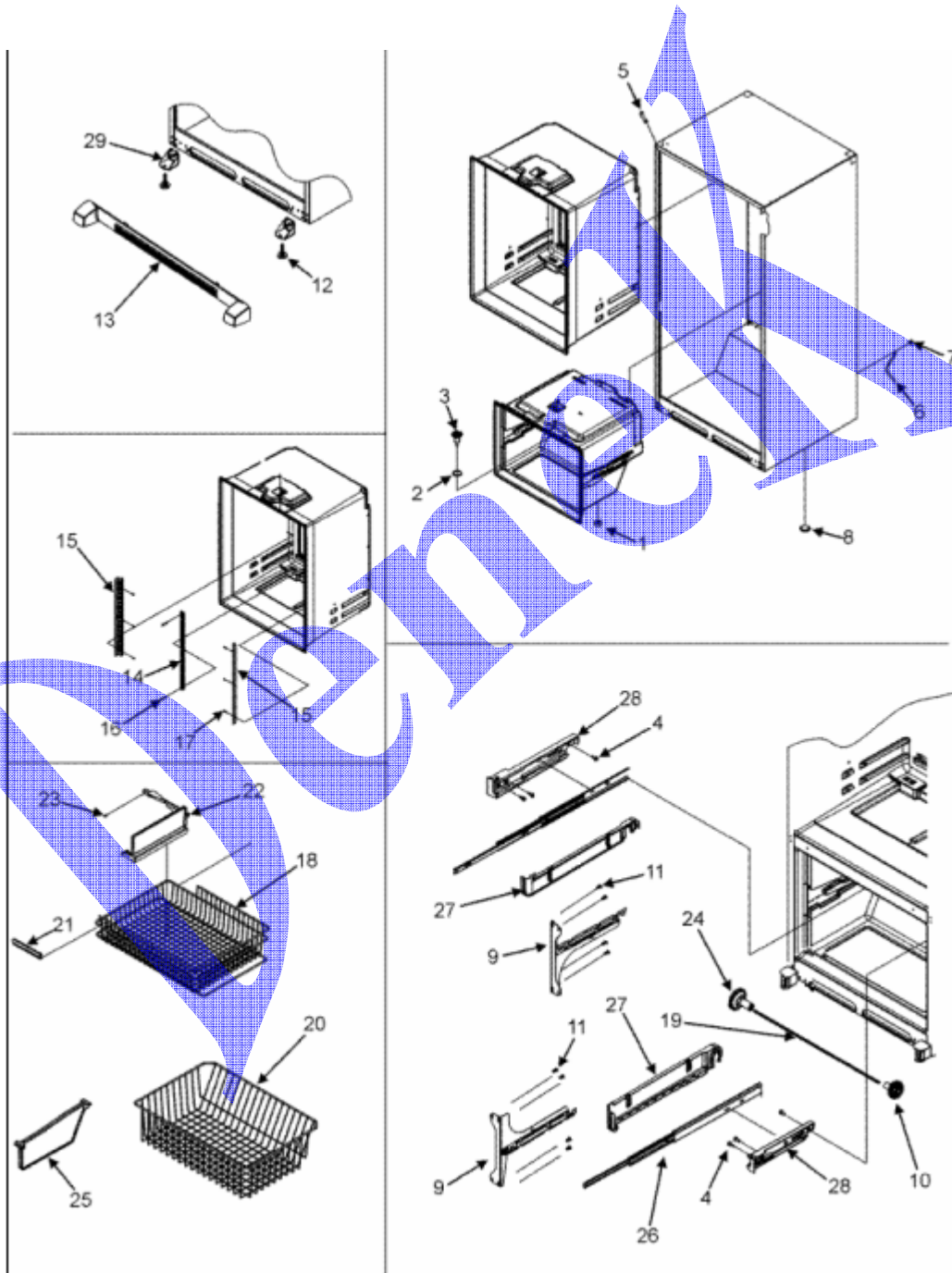
REF. MTG. MODEL. MFD2561KES

ICE MAKER

NUMERO	N. DE PARTE	DESCRIPCION
1	61005508	ICE MAKER ASSY.
1	67006287	SCREW
1	67002823	BRKT. ICE MAKER
2	67004710	COVER, ICE MAKER
3	95101-1	EJECTOR, ICE
4	95102-1	STRIPPER, ICE
5	95100-1	INLET, WATER
6	67004028	ARM, IM SHUTOFF
7	67006614	HARNESS, ICE MAKER
8	10463201	ELBOW, FILL TUBE
9	95107-1	BRACKET, MODULE & HEATER
10	95104-1	RETAINER, THERMOSTAT
11	M0104106	CLIP
12	67001255	PAN, ICE
13	10244904	COUPLING
14	R0131235	ICE MAKER HOOK UP KIT

REF. MTG. MODEL. MFD2561KES

PARTE INTERIOR DEL GABINETE



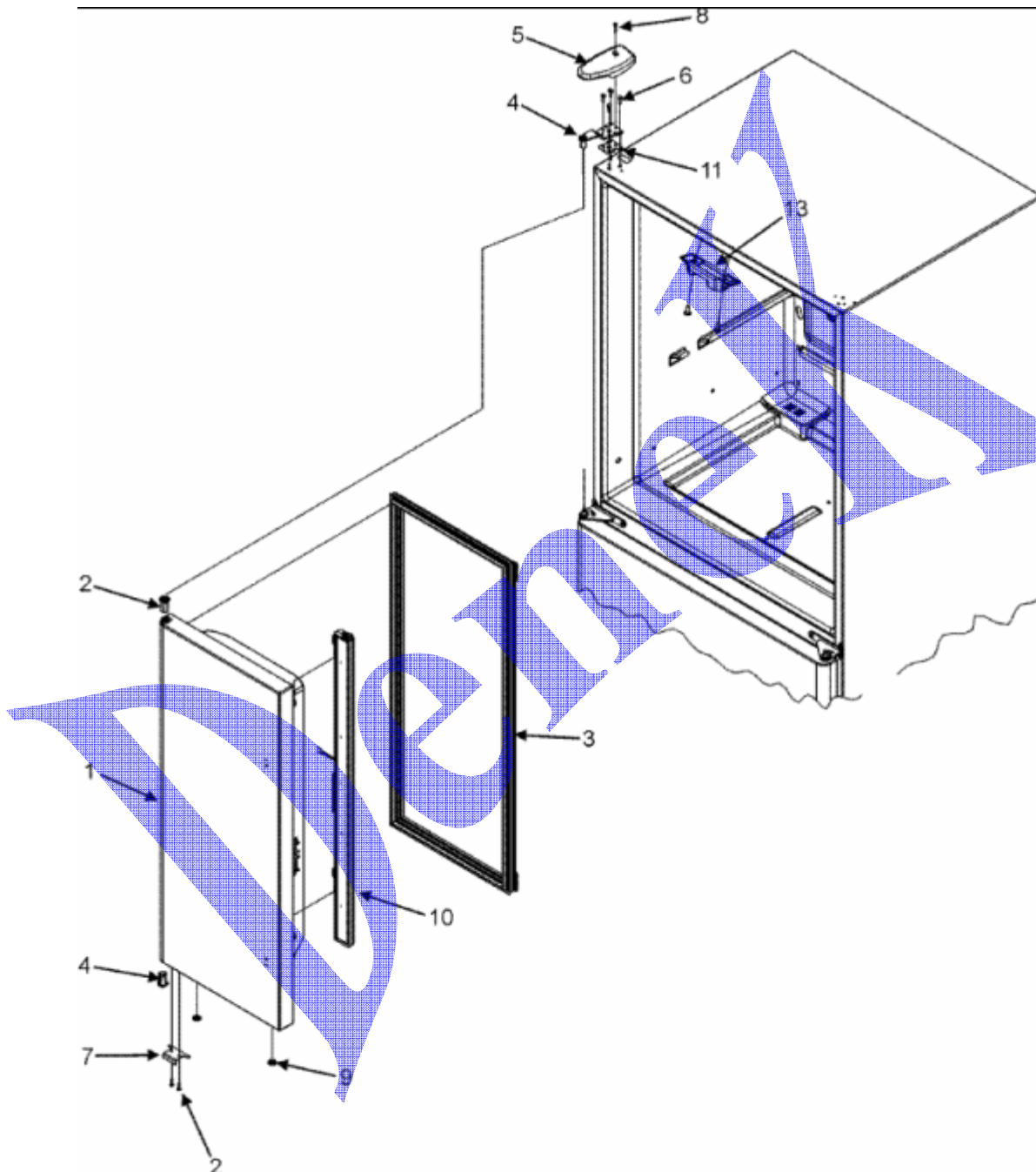
REF. MTG. MODEL. MFD2561KES

PARTE INTERIOR DEL GABINETE

NUMERO	N. DE PARTE	DESCRIPCION
1	B8381501	GASKET, DRAIN TUBE
2	M0500703	SEAL, O RING
3	D7753903	FUNNEL, DRAIN
4	67006406	SCREW, SM/HEX HEAD
5	67003485	COVER, CORNER (BLK)
6	67001066	TUBE, DRAIN
7	67001067	CLIP, DRAIN TUBE
8	A3076901	PLUG, BUTTON
9	67004013	BRACKET, DRAWER SLIDE (RT)
9	67004012	BRACKET, DRAWER SLIDE (LT)
10	67004430	GEAR (RT)
11	67006473	SCREW SM/HEX
12	67003868	BRAKE, FOOT
13	12627302	CLIP, TOE GRILLE
13	67006375	GRILLE, TOE (BLK)
14	67004644	LADDER, CENTER
14	67003721	ADAPTER, CTR LADDER
15	67004645	LADDER, L/R SIDE
16	67006360	SCREW
17	67006400	SCREW, SM
18	67004987	BASKET, FRZ. (UPR)
19	67004017	SHAFT, RACK
20	67004079	BASKET, FRZ. (LWR)
21	10508506	HANDLE, BASKET/SHELF
22	67004127	DIVIDER, BASKET (UPPER)
23	67006608	SCREW
24	67004429	GEAR (LT)
25	67006103	DIVIDER, BASKET (LWR)
26	67006607	SLIDE, DRAWER
27	67004015	CRADLE, BASKET (RT)
27	67004014	CRADLE, BASKET (LT)
28	67004865	ADAPTER, SIDE (RT)
28	67004864	ADAPTER, SIDE (LT)
29	67006491	SCREW
29	67006112	BRACKET, FOOT CABINET

REF. MTG. MODEL. MFD2561KES

PUERTA IZQ. ENFRIADOR



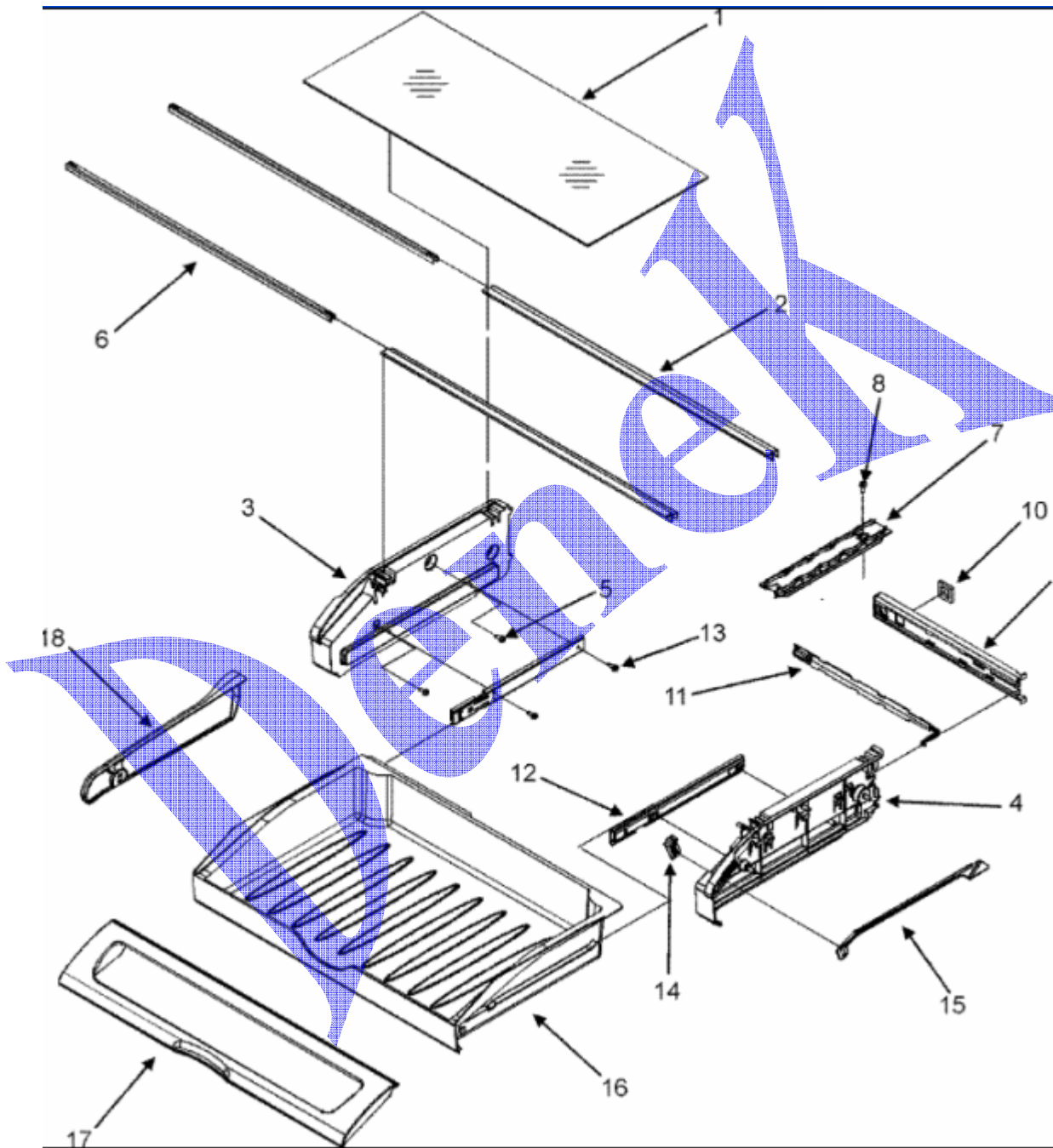
REF. MTG. MODEL. MFD2561KES

PUERTA IZQ. ENFRIADOR

NUMERO	N. DE PARTE	DESCRIPCION
1	67006590	DOOR ASSY., LT REF FOAM (STNLS)
2	67006287	SCREW
3	67003547	GASKET, FRENCH DOOR (BLK)
4	12566603ED	HINGE, TOP (BLK)
5	12684201B	COVER, TOP HINGE (LT-BLK)
6	67006303	SCREW
7	67006276	STOP, DOOR (BLK)
8	67006521	SCREW
9	67004838	PLUG, VENT (BLK)
10	67003264	VERT MULLION ASSY (BLK)
10	67006786	SCREW, MULLION
11	12579702	SHIM, TOP HINGE
12	12395501B	BUSHING, DOOR (BLK)
13	67003405	BLOCK, PIVOT
13	67006626	SCREW
14	67002721	BUSHING, DOOR (BLK)

REF. MTG. MODEL. MFD2561KES

CAJON DESPENSA



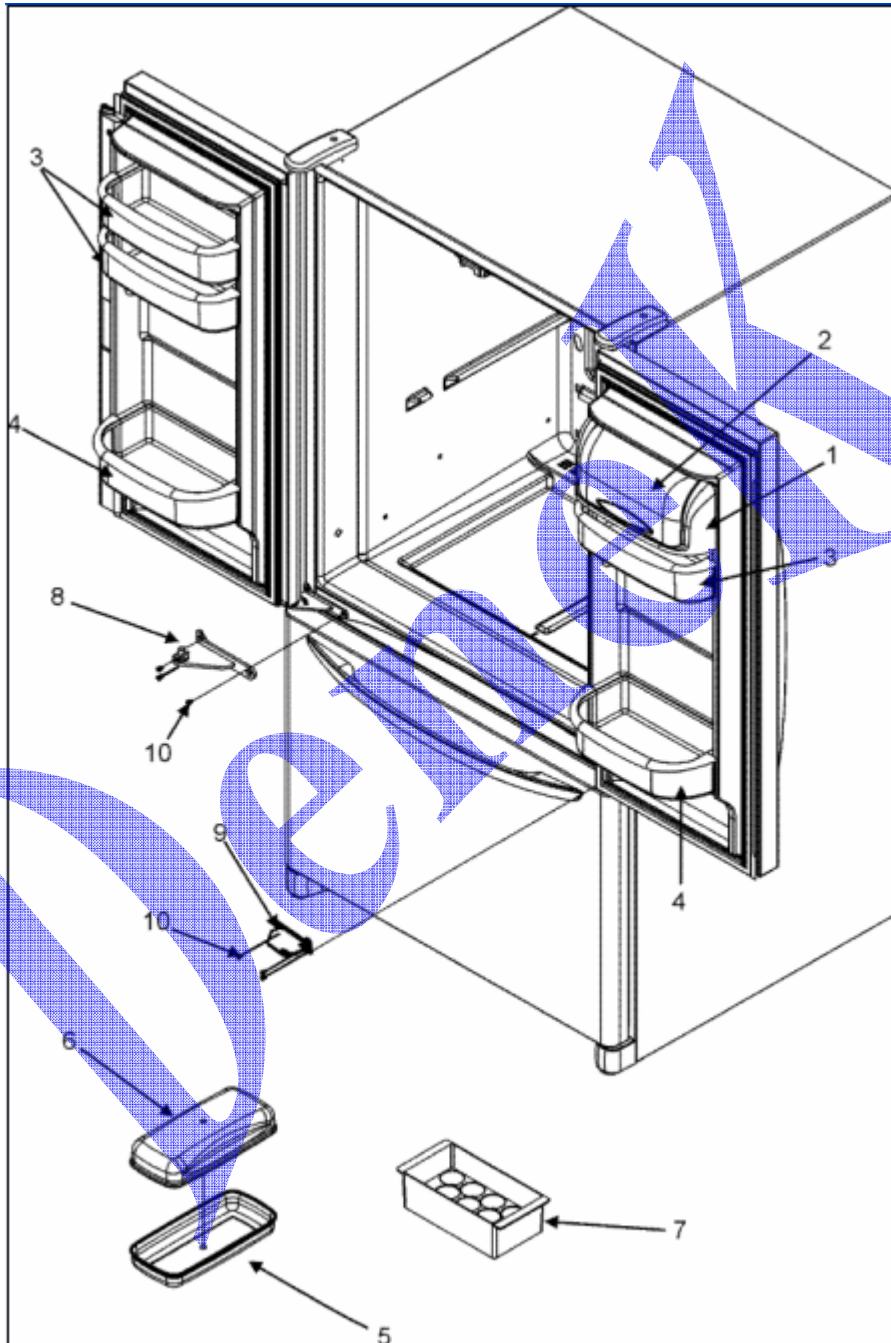
REF. MTG. MODEL. MFD2561KES

CAJON DESPENSA

NUMERO	N. DE PARTE	DESCRIPCION
1	67002761	GLASS, PANTRY
2	67006010	EXTR, GLASS SUPPORT
3	67005863	END CAP, PANTRY (LT)
4	67005858	END CAP, PANTRY (RT)
5	67006415	SCREW
6	67002330	BRACE, PANTRY
7	67001719	TRACK, DELI DRAWER
8	67006400	SCREW, SM
9	67005625	HOUSING, CONTROL
10	67002329	GASKET, PANTRY
11	67003793	SLIDE, TEMP CONTROL
12	67006219	GLIDE, PANTRY DRAWER
13	67006287	SCREW
14	67003791	KNOB, TEMP CONTROL
15	67003795	BAR, TEMP CONTROL
16	67003531	DRAWER, PANTRY
17	67005903	LID, PANTRY
18	67002759	DIVIDER, PANTRY

REF. MTG. MODEL. MFD2561KES

INTERIOR REFRIGERADOR



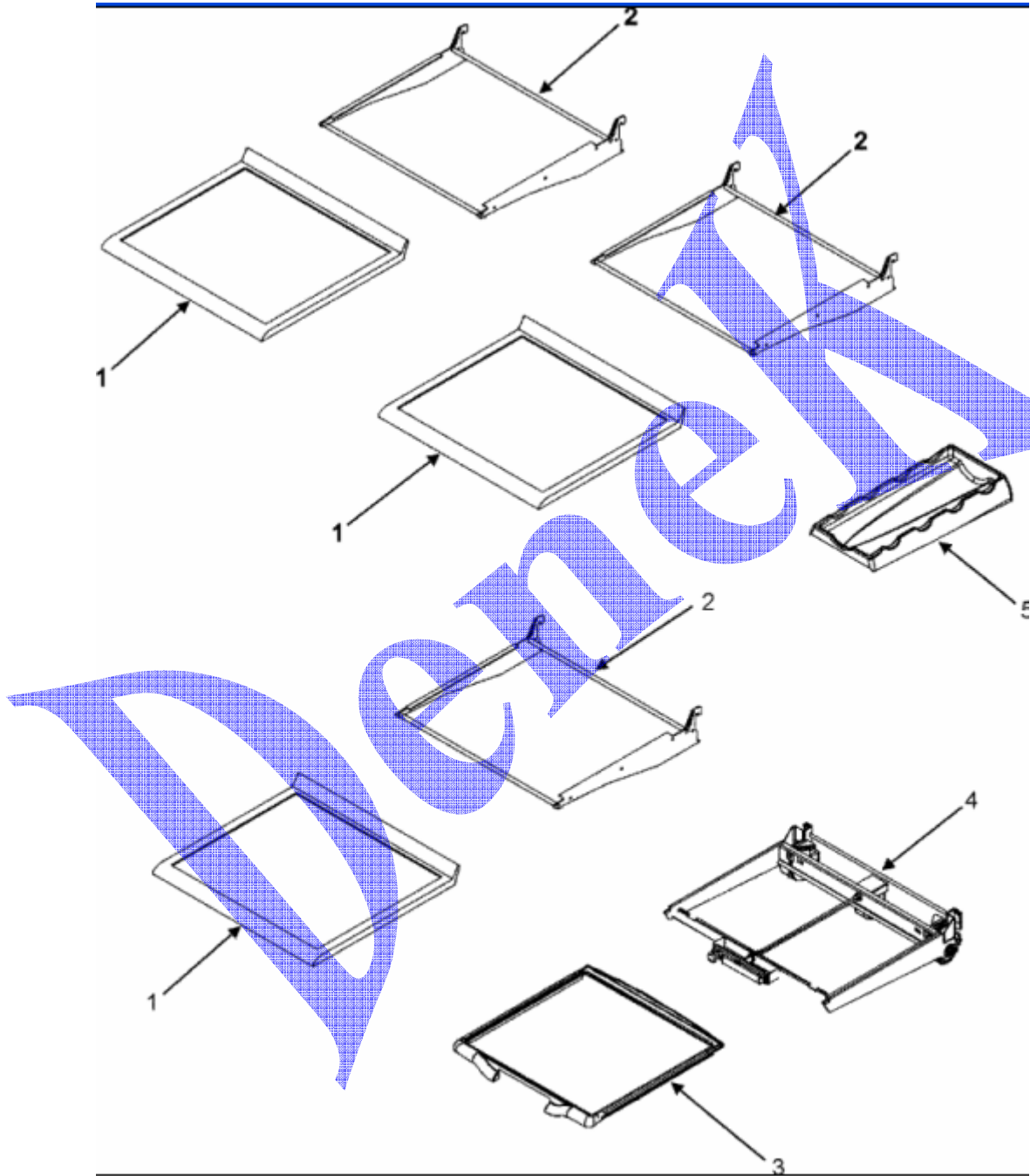
REF. MTG. MODEL. MFD2561KES

INTERIOR REFRIGERADOR

NUMERO	N. DE PARTE	DESCRIPCION
1	67001279	TRAY, DAIRY
2	67003637	DOOR, DAIRY
3	67004040	BUCKET, REF DR (MED)
4	67004641	BUCKET, REF DR GAL
5	67004404	TRAY, BUTTER
6	67004405	LID, BUTTER TRAY
7	67215-2	TRAY, EGG
8	67006442	HINGE, CENTER (LT-BLK)
9	67006443	HINGE, CENTER (RT-BLK)
10	67006380	SCREW

REF. MTG. MODEL. MFD2561KES

ANAQUELES REFRIGERADOR



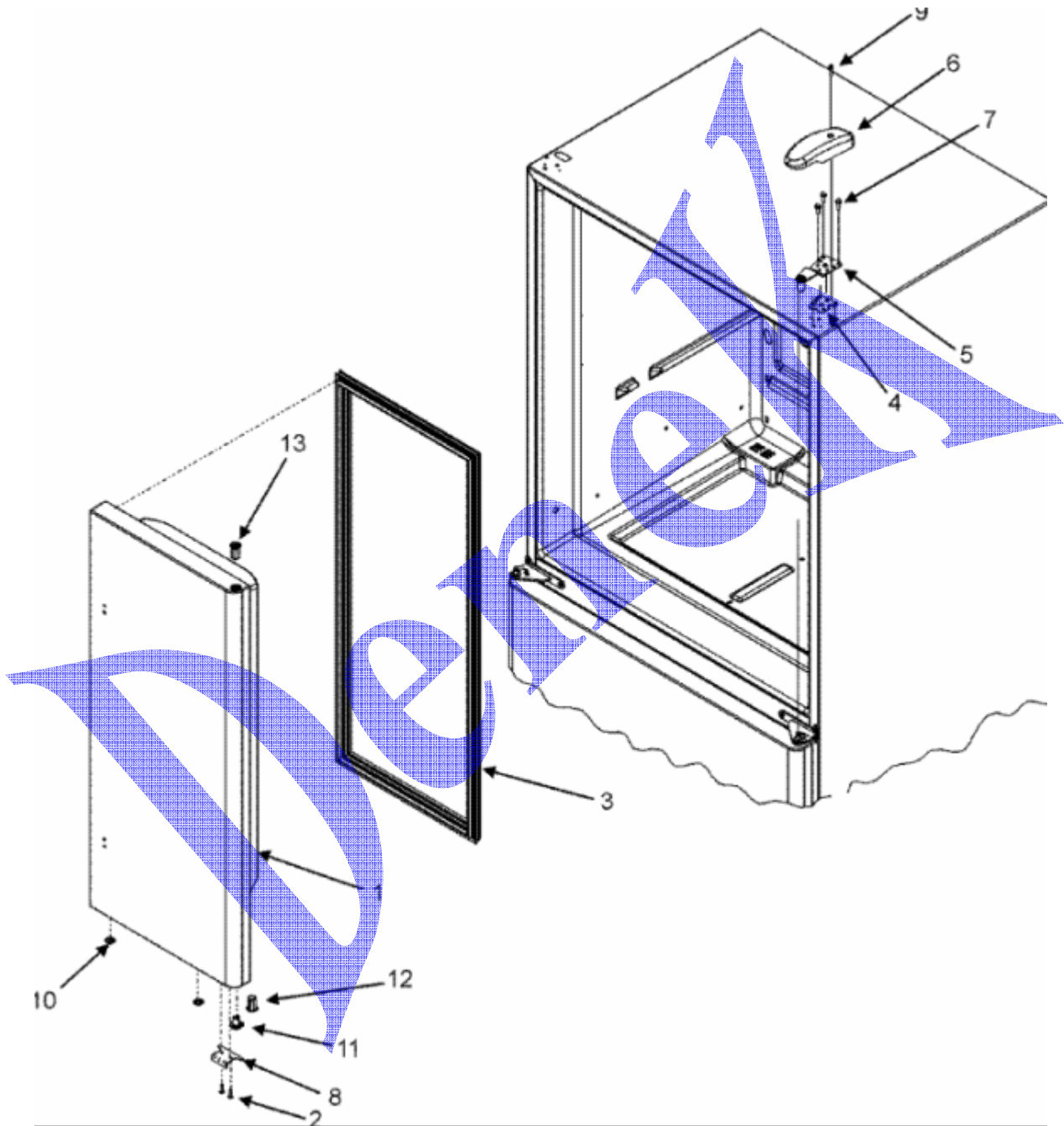
REF. MTG. MODEL. MFD2561KES

ANAQUELES REFRIGERADOR

NUMERO	N. DE PARTE	DESCRIPCION
1	61002917	SHELF, SPILLPROOF
2	61005966	FRAME, SHELF
3	61004747	SHELF, ELEVATOR
4	Y61006052	FRAME ASSY., ELEVATOR SHELF
5	67001656	TRIVET, BOTTLE

REF. MTG. MODEL. MFD2561KES

PUERTA DERECHA DEL ENFRIADOR



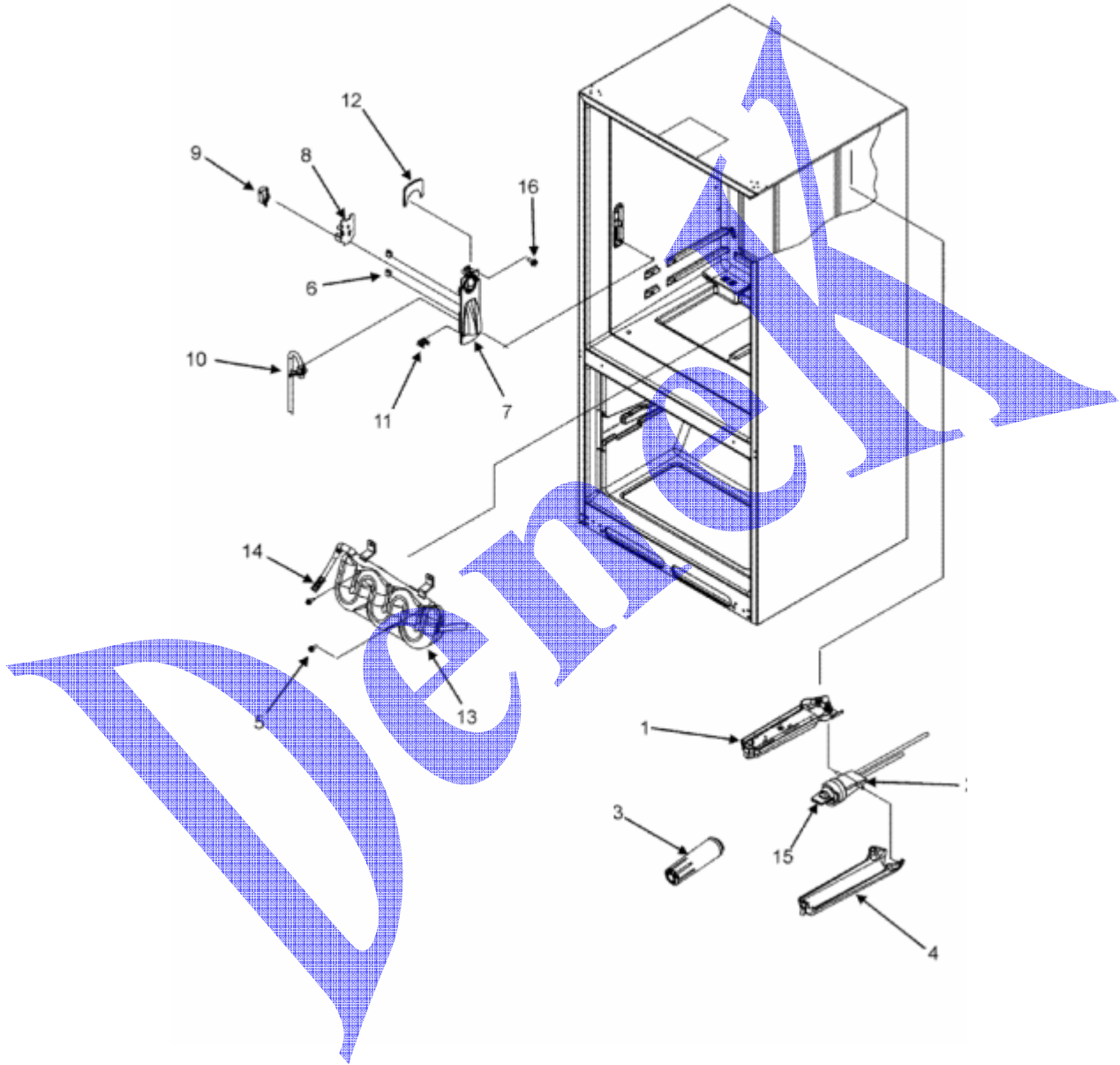
REF. MTG. MODEL. MFD2561KES

PUERTA DERECHA DEL ENFRIADOR

NUMERO	N. DE PARTE	DESCRIPCION
1	67006594	DOOR ASSY., RT REF FOAM (STNLS)
2	67006287	SCREW
3	67003547	GASKET, FRENCH DOOR (BLK)
4	12579702	SHIM, TOP HINGE
5	67001011	HINGE, TOP (BLK)
6	12684202B	COVER, TOP HINGE (RT-BLK)
7	67006303	SCREW
8	67006276	STOP, DOOR (BLK)
9	67006521	SCREW
10	67004838	PLUG, VENT (BLK)
11	67003639	CLOSURE, DOOR (BLK)
12	67002731	BUSHING, DOOR (BLK)
13	67004978	BUSHING, DOOR (BLK)

REF. MTG. MODEL. MFD2561KES

DESPACHADOR DEL AGUA



REF. MTG. MODEL. MFD2561KES

DESPACHADOR DEL AGUA

NUMERO	N. DE PARTE	DESCRIPCION
1	67001668	PLATE, FILTER BACKING
2	67006524	HEAD, WATER FILTER (W/TUBING)
3	67003591	FILTER, WATER SINGLE
4	12568001	COVER, FILTER
5	67006287	SCREW
6	B8390302	CLIP, FACADE
7	67002979	FACADE, DISPENSER
8	67002742	PLATE, SWITCH
9	12575501	SWITCH, LIMIT
10	67003728	GUIDE, WATER LINE
11	67002816	CLIP, WATERLINE
12	67005674	FACADE, DISPENSER TOP
13	67004091	TANK, WATER
14	61006182	UNION, TUBE (5/16" - 5/16")
15	12664501	PLUG, BYPASS
16	67006400	SCREW, SM