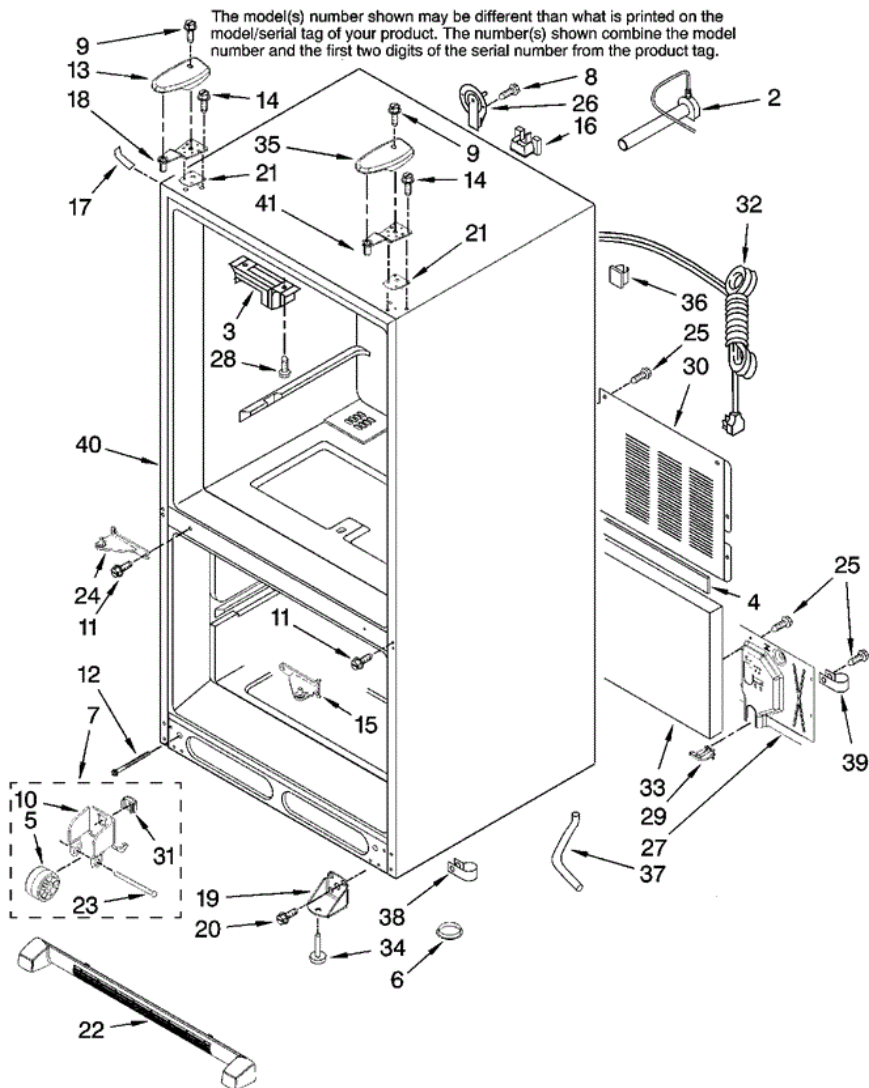


Distribuidor Autorizado

SurteRápido.com

Venta de Refacciones
Electrodomesticas

MFD2562KEB10 CABINET



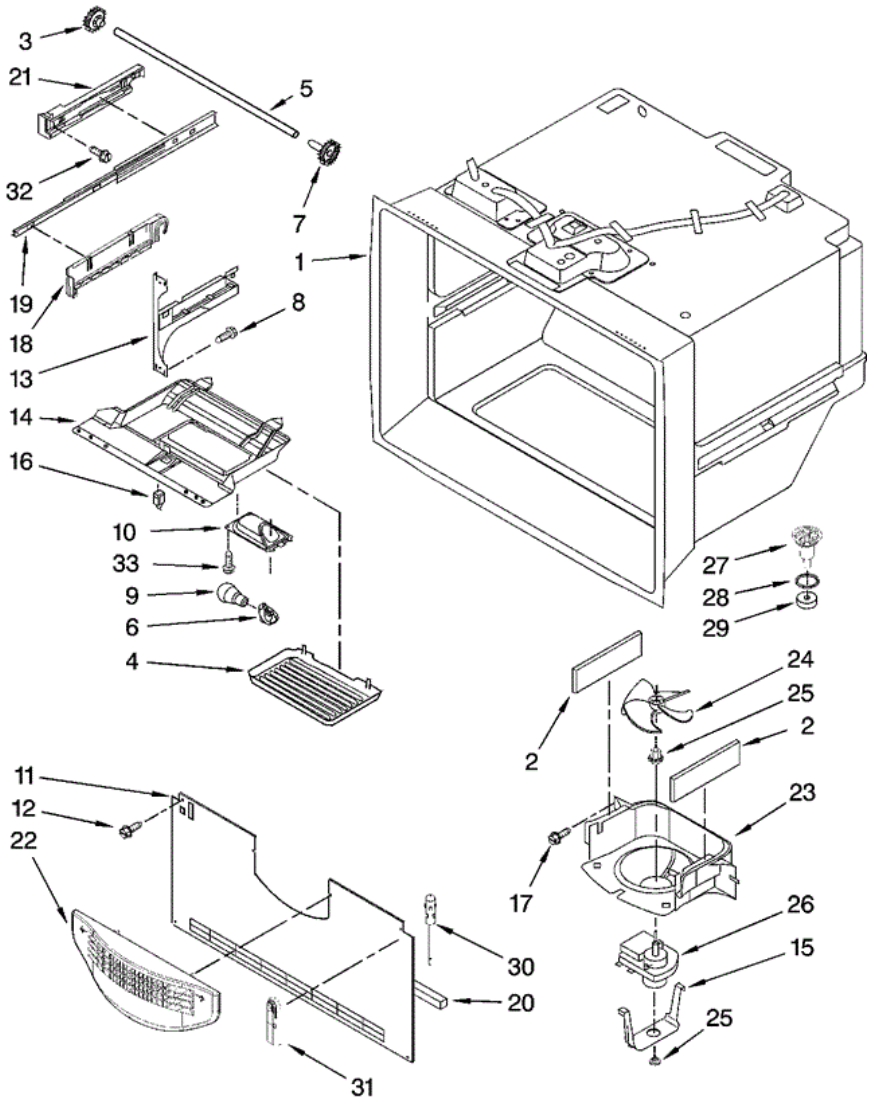


MFD2562KEB10 CABINET

2	W10137519	ELBOW, FILL TUBE
3	67003405	BLOCK, PIVOT
4	B5759649	GASKET
5	67005127	ROLLER
6	A3076901	PLUG, BUTTON
7	67006118	ROLLER ASSY. (2)
8	67006287	SCREW
9	67006521	SCREW
10	12456801	BRACKET, ROLLER
11	67006380	SCREW (6)
12	392-45	TERMINAL F
13	12684201B	COVER, LEFT HINGE (BLACK)
13	12684201W	COVER, LEFT HINGE (WHITE)
14	67006303	SCREW (6)
16	67004092	BLOCK, FILTER (2)
17	67003484	COVER, CORNER (WHITE)
17	67003485	COVER, CORNER (BLACK)
18	12566605ED	HINGE, TOP LEFT
19	W10116913	SHAFT, AGITATOR COMPLETE
21	12579702	SHIM, HINGE
22	67006375	GRILLE, TOE (BLACK)
22	67006377	GRILLE, TOE (WHITE)
24	67006275	HINGE, CENTER (LT) (BLACK)
24	67006277	HINGE, CENTER (LT) (WHITE)
25	67006425	SCREW (10)
26	67003331	COVER, WATER LINE
27	67004098	COVER, WATER VALVE
28	67006669	SCREW (2)
29	67004101	SWEEP, DUAL TUBE
30	67006101	COVER, UNIT
31	M0286708	NUT, SPEED
32	67006506	CORD, POWER
33	67003796	INSULATION, SOUND

34	67003868	FOOT BRAKE
35	12684202B	COVER, RIGHT HINGE (BLACK)
35	12684202W	COVER, RIGHT HINGE (WHITE)
36	M0104106	CLIP (2)
37	67001066	TUBE, DRAIN
38	67001067	CLIP, DRAIN TUBE
39	M0108105	CLAMP, TUBE
41	12566604ED	HINGE, TOP RIGHT

MFD2562KEB10 FREEZER LINER

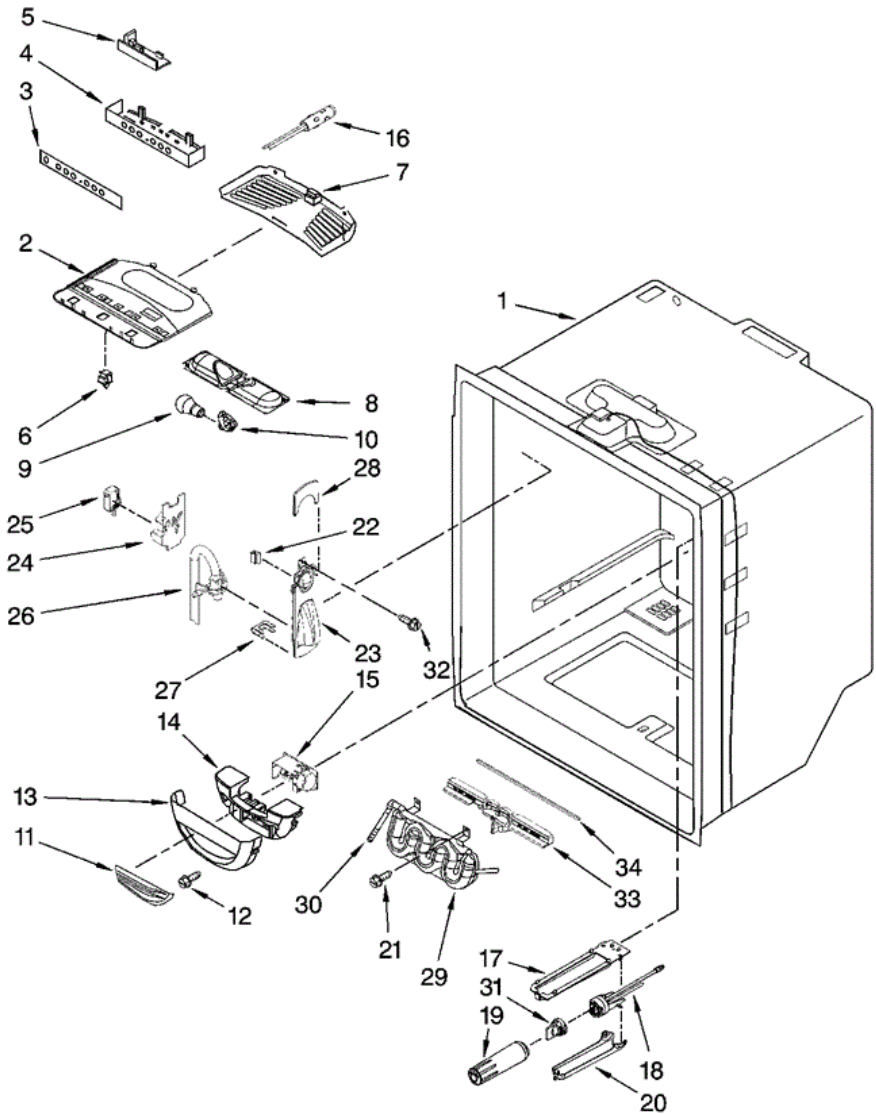




MFD2562KEB10 FREEZER LINER

2	67001291	GASKET, FOAM
3	12002497	GEAR (LEFT) (INCLUDES ITEM 7)
4	67003905	COVER, LIGHT
5	67004017	SHAFT
6	Y12570701	SOCKET, LIGHT
7	12002497	GEAR (RIGHT) (INCLUDES ITEM 3)
8	67006473	SCREW (8)
10	67001035	HOUSING, LIGHT
11	67005873	COVER, EVAPORATOR
12	67006425	SCREW (4)
13	67004012	BRACKET, DOOR (LEFT)
13	67004013	BRACKET, DOOR (RIGHT)
14	67003906	HOUSING, LIGHTING
15	67005633	CLIP, EVAP MOTOR
16	67005653	SWITCH, LIGHT
17	67006287	SCREW (2)
18	67004014	CRADLE, BASKET (LEFT)
18	67004015	CRADLE, BASKET (RIGHT)
20	67002492	GASKET, BOTTOM
21	67004864	ADAPTER, SLIDE (LEFT)
21	67004865	ADAPTER, SLIDE (RIGHT)
22	13024802	GRILLE, FZ AIR
23	67002777	SHROUD, EVAP FAN
24	12217201	BLADE, FAN (EVAPORATOR)
25	67002780	GROMMET (2)
26	67003636	MOTOR, EVAPORATOR
27	D7753903	FUNNEL, DRAIN
28	M0500703	SEAL
29	B8381501	GASKET
30	12002355	THERMISTOR
31	67003924	COVER, THERMISTOR
32	67006406	SCREW (6)
33	67006094	HARNESS, FZ MODULE

**MFD2562KEB10 REFRIGERATOR
 LINER**

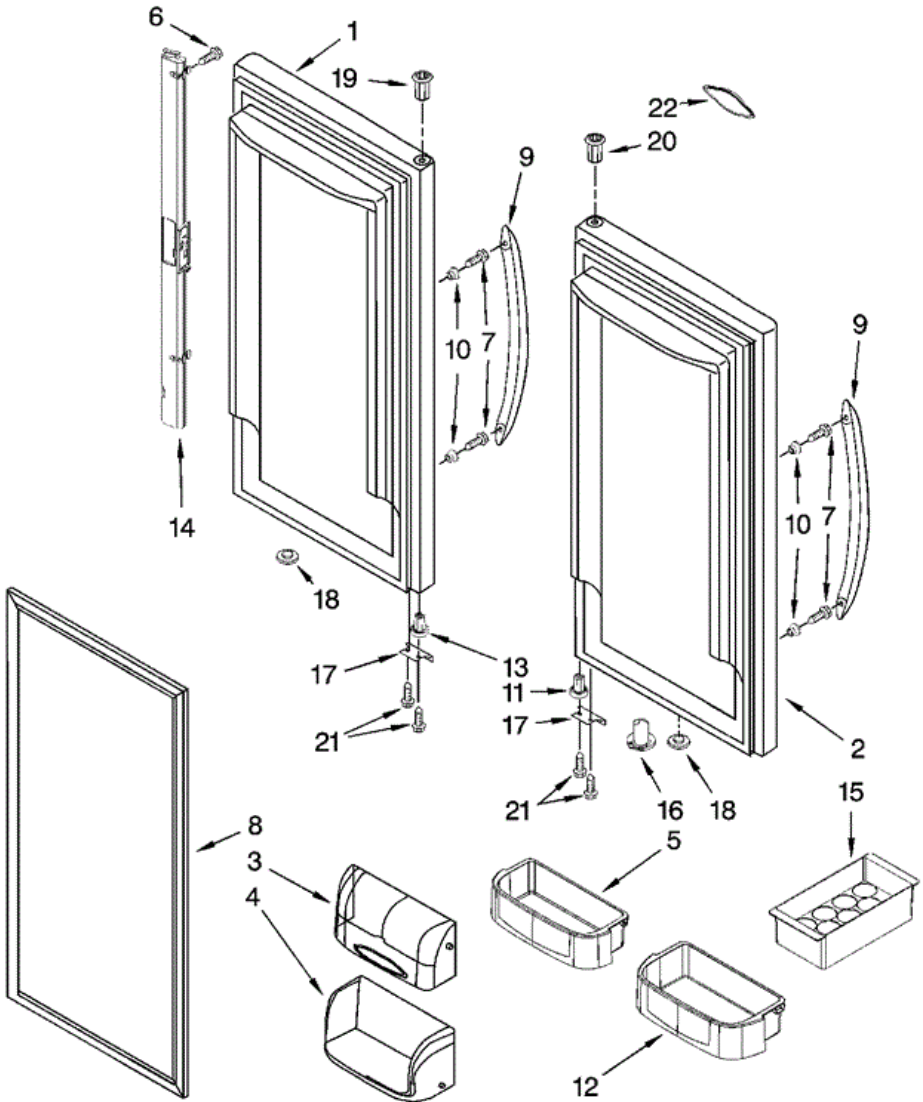




MFD2562KEB10 REFRIGERATOR LINER

2	67004078	BRACKET, CONTROL AND LIGHTS
3	Y67005640	KEYBOARD
4	67005444	HOUSING, CONTROL
5	67005397	BOARD, CONTROL
6	C3680310	SWITCH, LIGHT (2)
7	67003897	COVER, LIGHT
8	67003901	HOUSING, LIGHT
9	A0282812	BULB, LIGHT (2)
10	Y12570701	SOCKET, LIGHT (2)
11	67003900	INSERT, DAMPER COVER
12	67006602	SCREW (2)
13	67003899	COVER, DAMPER
14	67006604	INSULATION
15	67006116	CONTROL, DAMPER
16	12002355	THERMISTOR
17	67001668	PLATE
18	67006524	HEAD, FILTER
19	UKF8001AXX	FILTER, WATER
20	12568001	COVER, FILTER
21	67006287	SCREW (2)
22	B8390302	CLIP, FACADE (2)
23	W10158503	FACADE, DISPENSER
24	67002742	PLATE, SWITCH
25	12575501	SWITCH, LIMIT
26	67003728	GUIDE, WATERLINE
27	67002816	CLIP, WATERLINE
28	67005674	FACADE (TOP)
29	67004091	TANK, WATER
30	61006182	UNION
31	67003146	PLUG, BYPASS
33	W10117358	INSULATION, TANK
34	67005417	HARNESS, CONTROL (REFRIGERATOR)
34	W10130483	GASKET

**MFD2562KEB10 REFRIGERATOR
 DOOR**



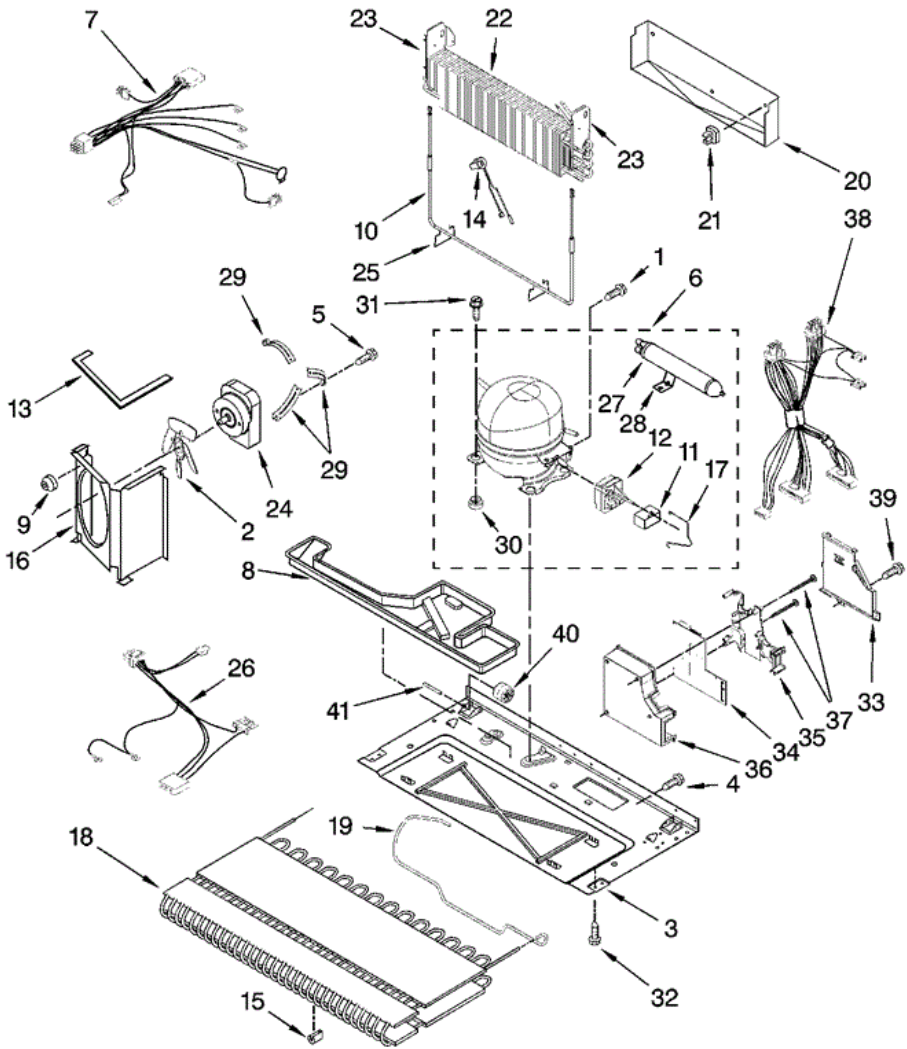


MFD2562KEB10 REFRIGERATOR DOOR

1	13024022B	DOOR, LEFT (BLACK)
1	13024022W	DOOR, LEFT (WHITE)
1	W10131746	DOOR, LEFT (STAINLESS STEEL)
2	13024021B	DOOR, RIGHT (BLACK)
2	13024021W	DOOR, RIGHT (WHITE)
2	W10131751	DOOR, RIGHT (STAINLESS STEEL)
3	67003637	DOOR, DAIRY
4	67001279	TRAY, DAIRY
5	67004040	BIN, SHELF (3) (MEDIUM)
6	67006786	SCREW
7	67002935	SCREW
8	12723206B	GASKET, DOOR (2) (BLACK)
8	W10137006	GASKET, DOOR (2) (WHITE)
9	67006114	DOOR HANDLE (WHITE)
9	67006115	DOOR HANDLE (BLACK)
9	67006391	DOOR HANDLE (STAINLESS)
10	67006113	MOUNT, HANDLE
11	67002731	BUSHING, DOOR (BOTTOM-RIGHT) (BLACK)
11	67002732	BUSHING, DOOR (BOTTOM-RIGHT) (WHITE)
12	67004641	BIN, SHELF (2) (GALLON)
13	67002721	BUSHING, DOOR (BOTTOM-LEFT) (BLACK)
13	67002722	BUSHING, DOOR (BOTTOM-LEFT) (WHITE)
14	67003263	MULLION, DOOR (WHITE)
14	67003264	MULLION, DOOR (BLACK)
15	67215-2	TRAY, EGG
16	67003638	CLOSURE, DOOR (WHITE)
16	67003639	CLOSURE, DOOR (BLACK)
17	67007011	STOP, DOOR (BLACK)
18	10712401	PLUG, BUTTON (WHITE)
18	67004838	PLUG, BUTTON (BLACK)
19	12395501B	BUSHING, DOOR (UPPER LEFT) (BLACK)
19	12395501W	BUSHING, DOOR UPPER LEFT (WHITE)
20	67004977	BUSHING, DOOR (UPPER RIGHT) (WHITE)

20	67004978	BUSHING, DOOR (UPPER RIGHT) (BLACK)
21	67006287	SCREW
22	67006439	NAMEPLATE

MFD2562KEB10 UNIT



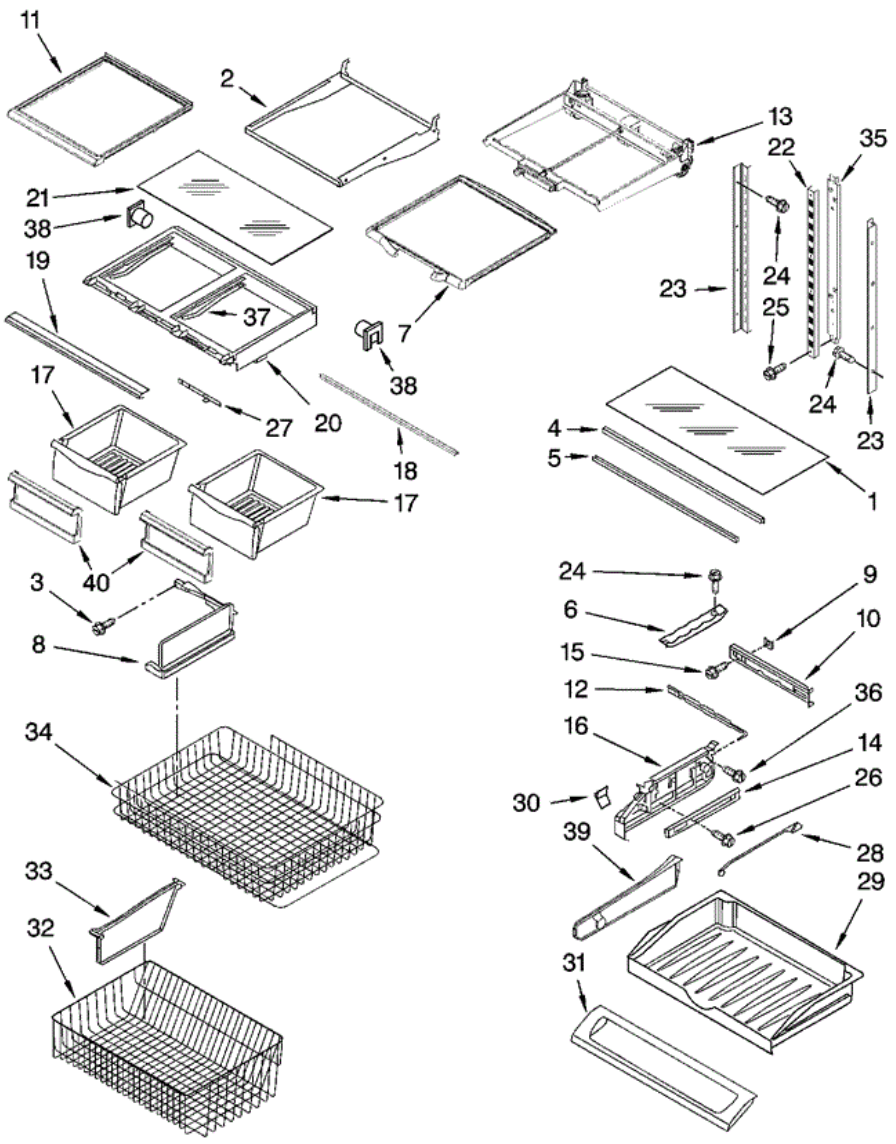


MFD2562KEB10 UNIT

1	67006433	SCREW
2	67004952	BLADE, FAN
3	67005889	BASEPAN
4	67006425	SCREW (2)
5	67004954	SCREW (3)
6	12002634	COMPRESSOR (INCLUDES ITEMS 11, 12, 17, 27, & 30)
7	67005574	HARNESS, EVAP HEATER
8	67007175	PAN, DRAIN
9	61004743	GROMMET (3)
10	67002493	HEATER, DEFROST
11	67005562	CAPACITOR
12	67005560	RELAY ASSY. (INC. CAPACITOR)
13	61003810	GASKET
14	67003426	THERMOSTAT, DEF.
15	67005680	GROMMET (6)
16	W10158508	SHROUD
17	67007052	CLIP, CAPACITOR
18	67006131	CONDENSER
19	67004700	TUBE, DISCHARGE
20	67002490	TRAY, DRIP
21	10623002	CLIP, EVAPORATOR
22	12002041	EVAPORATOR KIT
23	67001083	DAM (LEFT SIDE)
23	67001084	DAM (RIGHT SIDE)
24	67004432	MOTOR, FAN
25	10428101	CLIP, HEATER
26	67005435	HARNESS, MC
27	B2150504	DRIER (SERVICE)
28	10547003	CLIP, DRIER
29	67004953	BRACKET, FAN MOTOR
30	67003493	GROMMET (4)
31	67006432	SCREW (3)
32	67006573	SCREW (4)

33	67005421	COVER, HV BOX
34	12782025	BOARD, HV CONTROL (INC. INST. SHEET)
35	67005418	SPACER, HV BOX
36	67004969	BOX, HV
37	67006550	SCREW (2)
38	67005419	HARNESS, HV
39	67006615	SCREW, COVER
41	67006434	AXLE (2)
41	876764	VALVE, ACCESS (3/16``)
41	978025	VALVE, ACCESS (1/4``)
41	978026	VALVE, ACCESS (5/16``)
41	978027	VALVE, ACCESS (3/8``)
41	978028	VALVE, ACCESS (1/2``)
41	978029	VALVE, ACCESS (5/8``)
41	978030	VALVE, ACCESS (3/4``)

MFD2562KEB10 SHELF



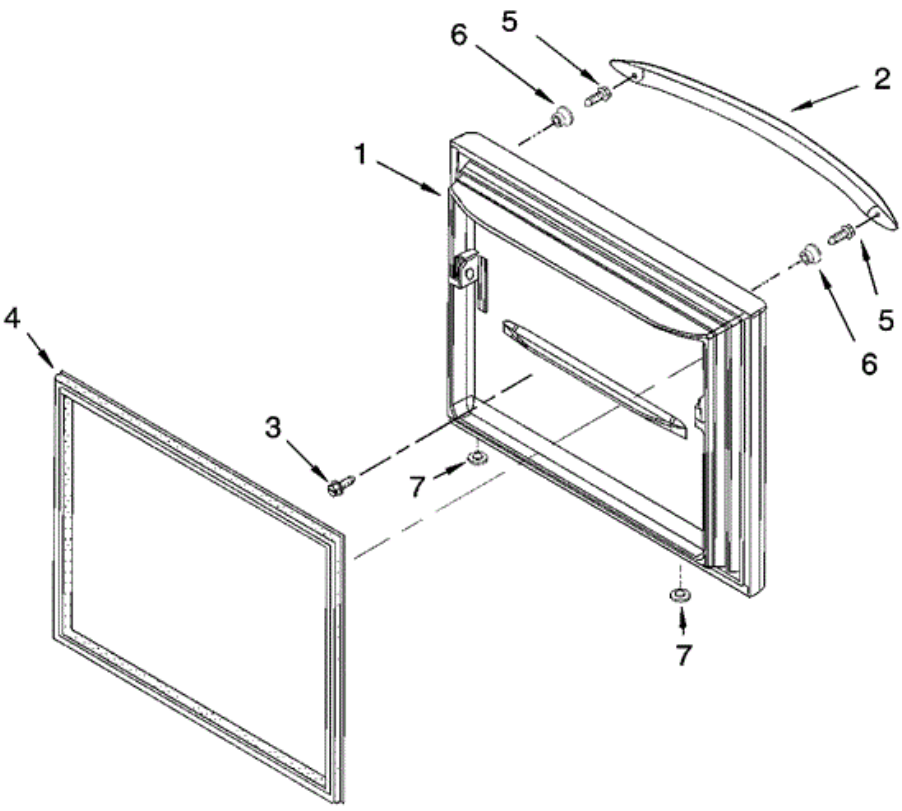


MFD2562KEB10 SHELF

1	67002761	GLASS, PANTRY
2	61005966	FRAME, SHELF (3)
3	67006608	SCREW
4	67006010	EXTR, GLASS SUPPORT (2)
5	67002330	BRACE, PANTRY (2)
6	67001719	TRACK, PANTRY
7	67004747	SHELF, ADJ.
8	67004127	DIVIDER, UPPER BASKET
9	67002329	GASKET, PANTRY
10	67005625	HOUSING, CONTROL
11	61002917	SHELF, SLIDE (3)
12	67003793	SLIDE, TEMPERATURE
13	Y61006052	FRAME ASSY., ADJ.
15	W10160806	INSULATION
16	67005858	ENDCAP, PANTRY (RIGHT)
16	67005863	ENDCAP, PANTRY (LEFT)
18	67002748	BRACE, CRISPER
19	67004510	TRIM, CRISPER
20	67003854	FRAME, CRISPER
21	67006704	GLASS, CRISPER COVER
22	67004644	LADDER, CENTER
23	67004645	LADDER, SIDE
24	67006400	SCREW (6)
25	67006360	SCREW (2)
26	67006415	SCREW (4)
27	67005864	SLIDE, HUMIDITY CONTROL
28	67003795	ROD, TEMPERATURE CONTROL
29	67003531	DRAWER, PANTRY
30	67003791	KNOB, TEMPERATURE CONTROL
31	67005903	DOOR, PANTRY DRAWER
34	67004987	BASKET, FREEZER (UPPER)
35	67003721	ADAPTER, CENTER LADDER
36	67006287	SCREW (4)

37	67004514	RAIL, CENTER CRISPER FRAME
38	12603701	SUPPORTS, CRISPER FRAME
39	67002759	DIVIDER, PANTRY DRAWER
40	67005923	FRONT, CRISPER PAN

MFD2562KEB10 FREEZER DOOR

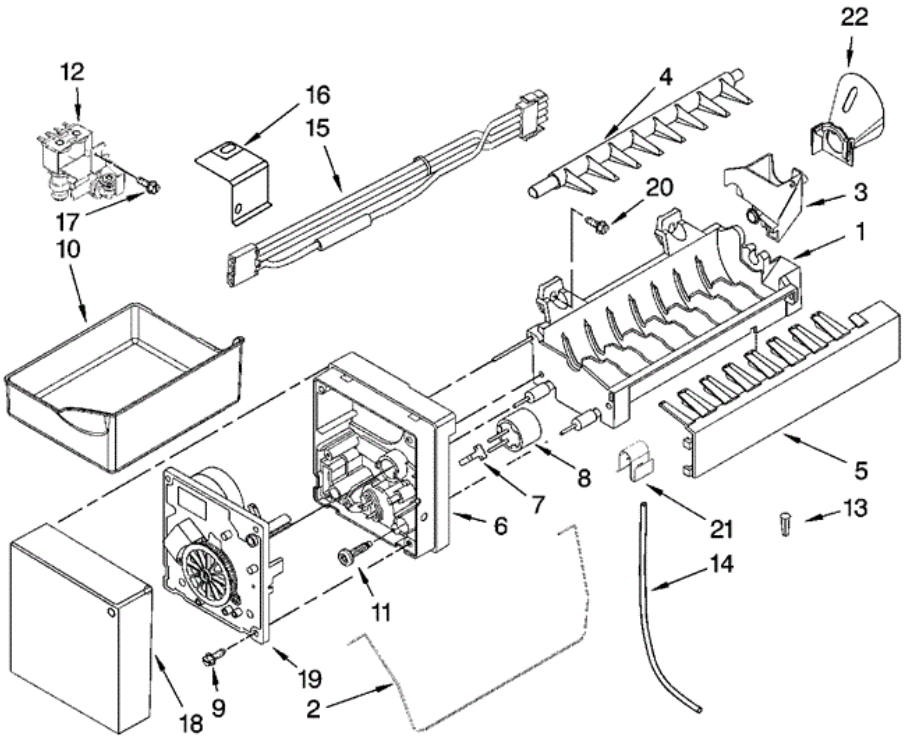




MFD2562KEB10 FREEZER DOOR

1	13024210B	FREEZER DOOR (BLACK)
1	13024210W	FREEZER DOOR (WHITE)
1	W10131753	FREEZER DOOR (STAINLESS STEEL)
2	67006114	HANDLE (WHITE)
2	67006115	HANDLE (BLACK)
2	67006391	HANDLE (STAINLESS STEEL)
3	67006408	SCREW (8)
4	W10131754	GASKET, DOOR (BLACK)
4	W10133249	GASKET, DOOR (WHITE)
5	67002935	SCREW
6	67006113	MOUNT, HANDLE
7	10712401	PLUG, BUTTON (2) (WHITE)
7	67004838	PLUG, BUTTON (2) (BLACK)

MFD2562KEB10 ICE MAKER





MFD2562KEB10 ICE MAKER

1	628228	MOLD & HEATER ASSEMBLY
2	67004028	ARM, SHUTOFF
3	628515	BEARING & INLET
4	95101-1	EJECTOR
5	95102-1	ICE STRIPPER
6	2194712	SUPPORT, HOUSING
7	95104-1	RETAINER, THERMOSTAT
8	95092-1	THERMOSTAT
9	95106-1	SCREW (3)
10	67001255	PAN, ICE
11	8533917	SCREW (2)
12	67006531	VALVE, WATER INLET
13	A3223101	INSERT, TUBE
14	67003729	TUBING, PLASTIC
15	W10146389	HARNESS, ICE MAKER
16	67002823	BRACKET
17	67006662	SCREW
18	67004710	COVER
20	67006287	SCREW (3)
21	B8389801	CLIP, FUSE
22	67005603	FUNNEL, FILL TUBE
100	4317943	ICEMAKER ASSEMBLY