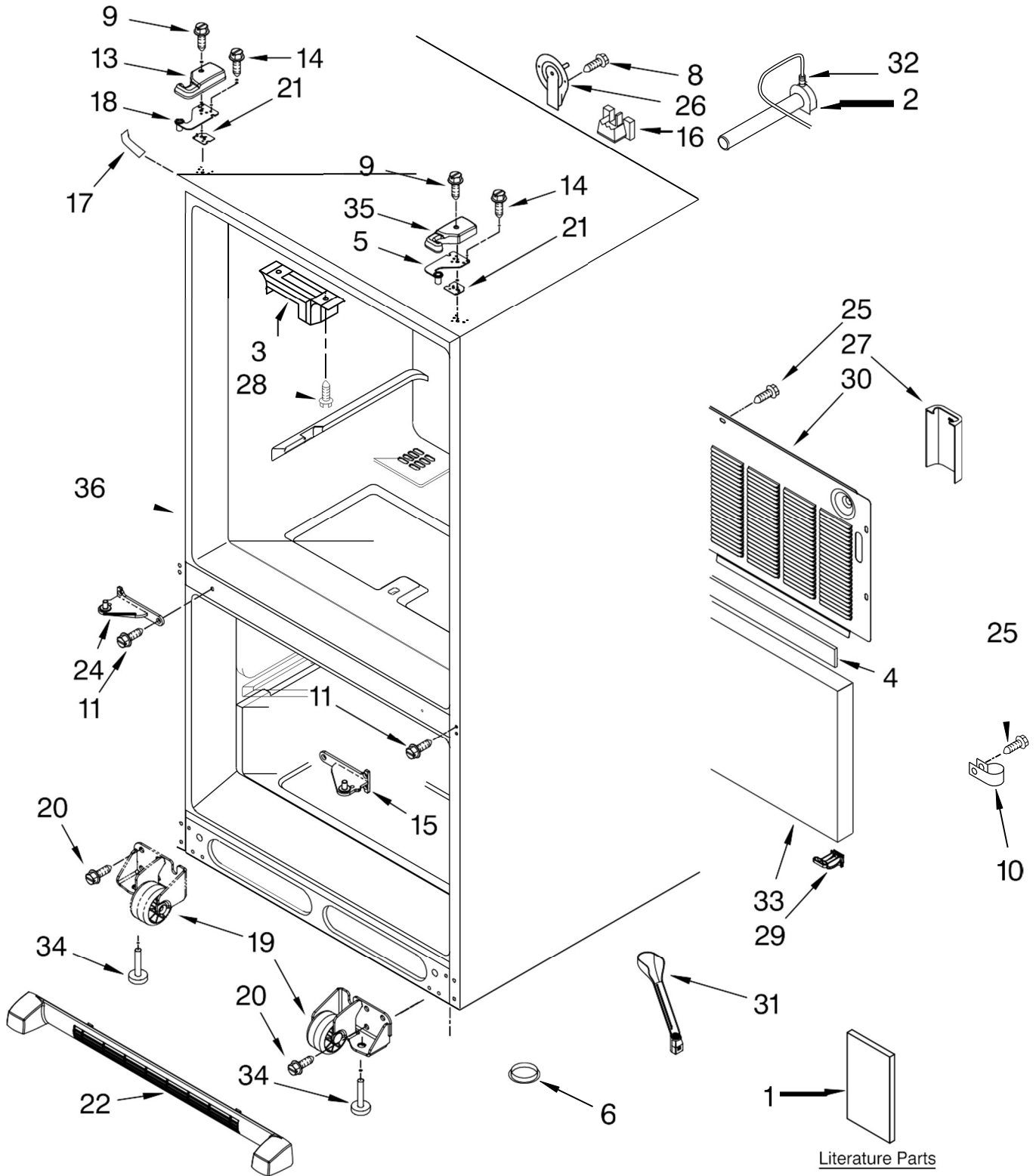


# REFRIGERADOR MFD2562VEM1



FOR ORDERING INFORMATION REFER TO PARTS PRICE LIST

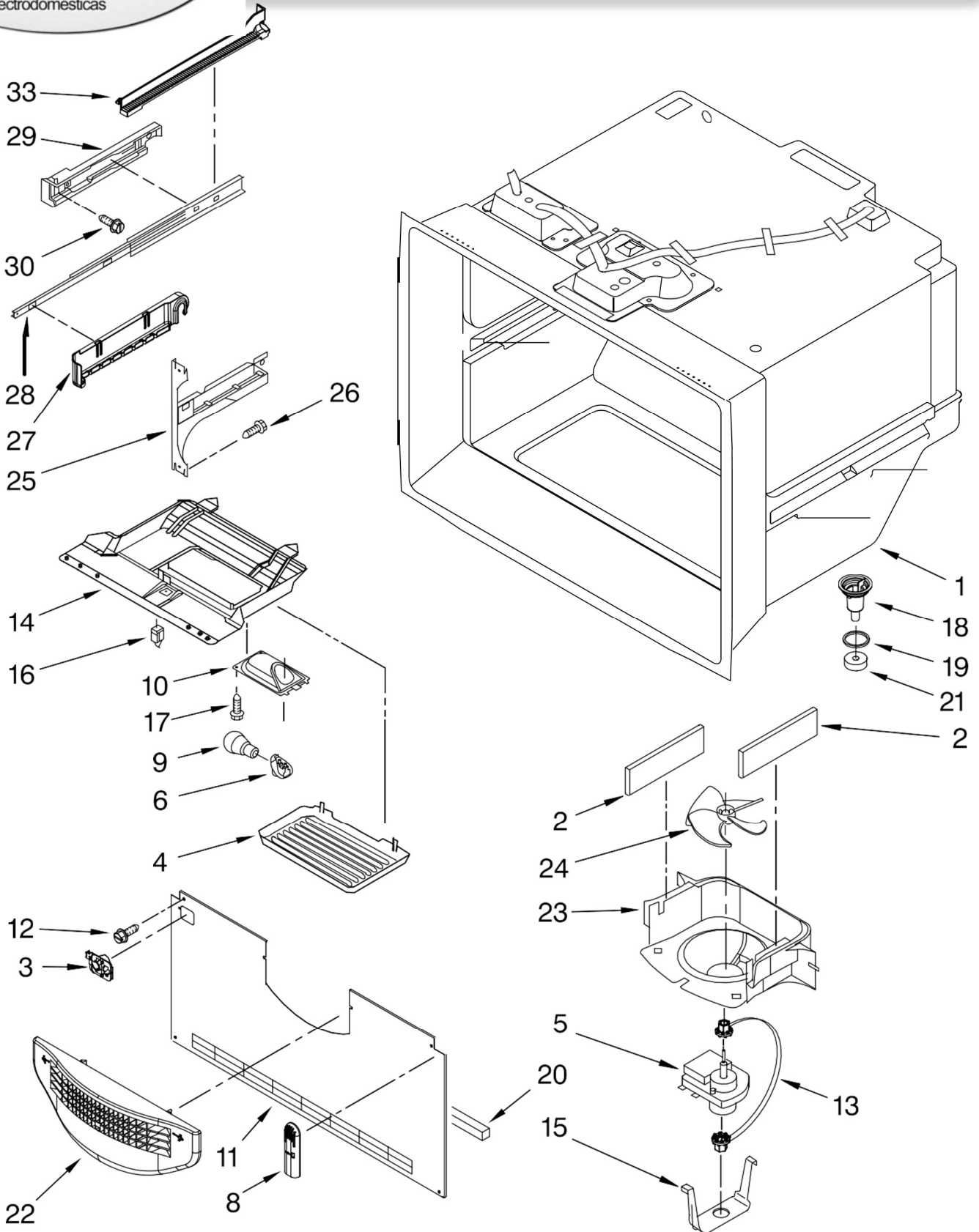
# REFRIGERADOR MFD2562VEM1

Illus. No.	Part No.	DESCRIPTION
1		Literature Parts W10238846 Tech Sheet W10175446 Owners Manual W10187813 Tag, Energy
2	10463203SP	Elbow, Fill Tube
3	12698403	Block, Pivot
4	B5759655	Gasket
5	12963205ED	Hinge, Top Right
6	A3076901	Plug, Button
8	12990504	Screw
9	12992602	Screw
10	M0108107	Clamp, Tube
11	12992201	Screw (6)
13		Cover, Left Hinge 12962301W White 12962301B Black 12962301AP Apollo Grey
14	12992403	Screw (6)

Illus. No.	Part No.	DESCRIPTION
15		Hinge, Center (RT) 13000002WD White 13000008ED Black 13000002AP Apollo Grey
16	12777701	Block, Filter (2)
17		Cover, Corner 12587703W White 12587703B Black 12587703AP Apollo Grey
18	12963204ED	Hinge, Top Left
19		Roller Assy. W10275849 Right W10275850 Left
20	12991302	Screw
21		Shim, Hinge 12999501 Left 12999502 Right
22		Grille, Toe W10244559 White W10244561 Black W10244558 Apollo Grey

Illus. No.	Part No.	DESCRIPTION
24		Hinge, Center (LT) 13000001WD White 13000007ED Black 13000001AP Apollo Grey
25	12990511	Screw (10)
26	12726003	Cover, Water Line
27	W10208593	Guard-Water Valve
28	12990303	Screw (2)
29	12831101	Sweep, Dual Tube
30	W10211855	Cover, Unit
31	W10210988	Tube, Drain
32	M0114003SP	Clip, Speed
33	12820505	Insulation, Sound
34	10354002	Foot Brake
35		Cover, Right Hinge 12962302W White 12962302B Black 12962302AP Apollo Grey
36		Cabinet (Not a Servicable Part)

# REFRIGERADOR MFD2562VEM1



FOR ORDERING INFORMATION REFER TO PARTS PRICE LIST



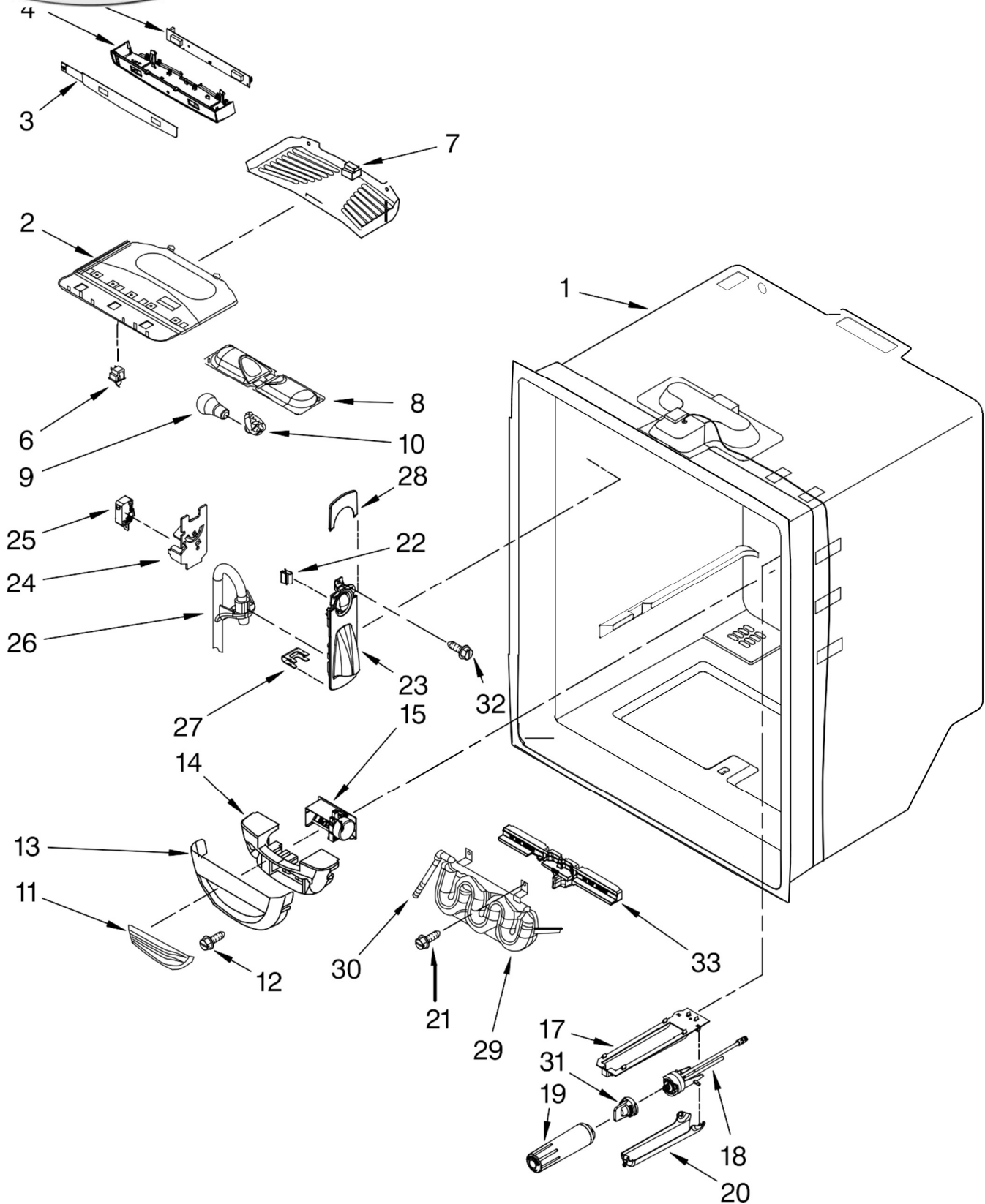
# REFRIGERADOR MFD2562VEM1

Illus. No.	Part No.	DESCRIPTION
1		Liner (Not A Seviceable Part)
2	A3189392	Gasket, Foam
3	12932103	Guide, Fill Tube
4	12804901	Cover, Light
5	13062901	Motor, Evaporator
6	12570701V	Socket, Light
8	12815301	Cover, Thermistor
9	W10194422V	Bulb, Light
10	12476401V	Housing, Light
11	12226112	Cover, Evaporator
12	12990511	Screw (4)
13	W10150583	Grommet
14	12805001	Module, Fz Control
15	13058002	Clip, Evap Motor
16	12466105	Switch, Light
17	12991603V	Screw
18	D7753903	Funnel, Drain
19	M0500703	Seal
20	A3189396	Gasket, Bottom
21	B8381501	Gasket
22	13024803	Grille, Fz Air
23	13057901	Shroud, Evap Fan
24	2169142	Blade, Fan (Evaporator)
25		Bracket, Door
	W10122147	Left
	W10122148	Right
26	12990521	Screw (8)
27		Cradle, Basket
	W10280608	Left
	W10280613	Right
28	W10120018	Slide, Drawer (2)
29		Adapter, Slide
	W10149390	Left
	W10149391	Right
30	12990501	Screw (6)
33		Rack-Side
	W10284694	Left
	W10284695	Right

Following Parts Not Illustrated

W10235312 Harness, Fz Module  
(Includes Thermistor)

# REFRIGERADOR MFD2562VEM1



FOR ORDERING INFORMATION REFER TO PARTS PRICE LIST



# REFRIGERADOR MFD2562VEM1

Illus. No.	Part No.	DESCRIPTION
1		Liner (Not A Serviceable Part)
2	12806302	Module, Light
3	W10217740	Overlay
4	12806405	Housing, Control
5	W10217475	Board, Control
6	C3680310V	Switch, Light (2)
7	12806501	Cover, Light
8	12806601V	Housing, Light
9	W10194422V	Bulb, Light (2)
10	12570701V	Socket, Light (2)
11	12806801	Insert, Damper Cover
12	12990604	Screw
13	12806701	Cover, Damper
14	13012402	Insulation
15	W10207517	Control, Damper
17	12704801	Plate
18	12590620	Head, Water Filter
19	UKF8001AXX	Filter, Water
20	12568001	Cover, Filter
21	12990512	Screw (2)
22	B8390302SP	Clip, Facade (2)
23	12706909SP	Facade, Disp.
24	12707303SP	Plate, Switch
25	12575501	Switch, Limit
26	12707206SP	Guide, Waterline
27	12251001SP	Clip, Waterline
28	12707005	Facade, Disp (Top)
29	12706112	Tank, Water
30	61006182	Union
31	61003146	Plug, Bypass
32	12990513	Screw
33	W10117358	Insulation, Water Tank

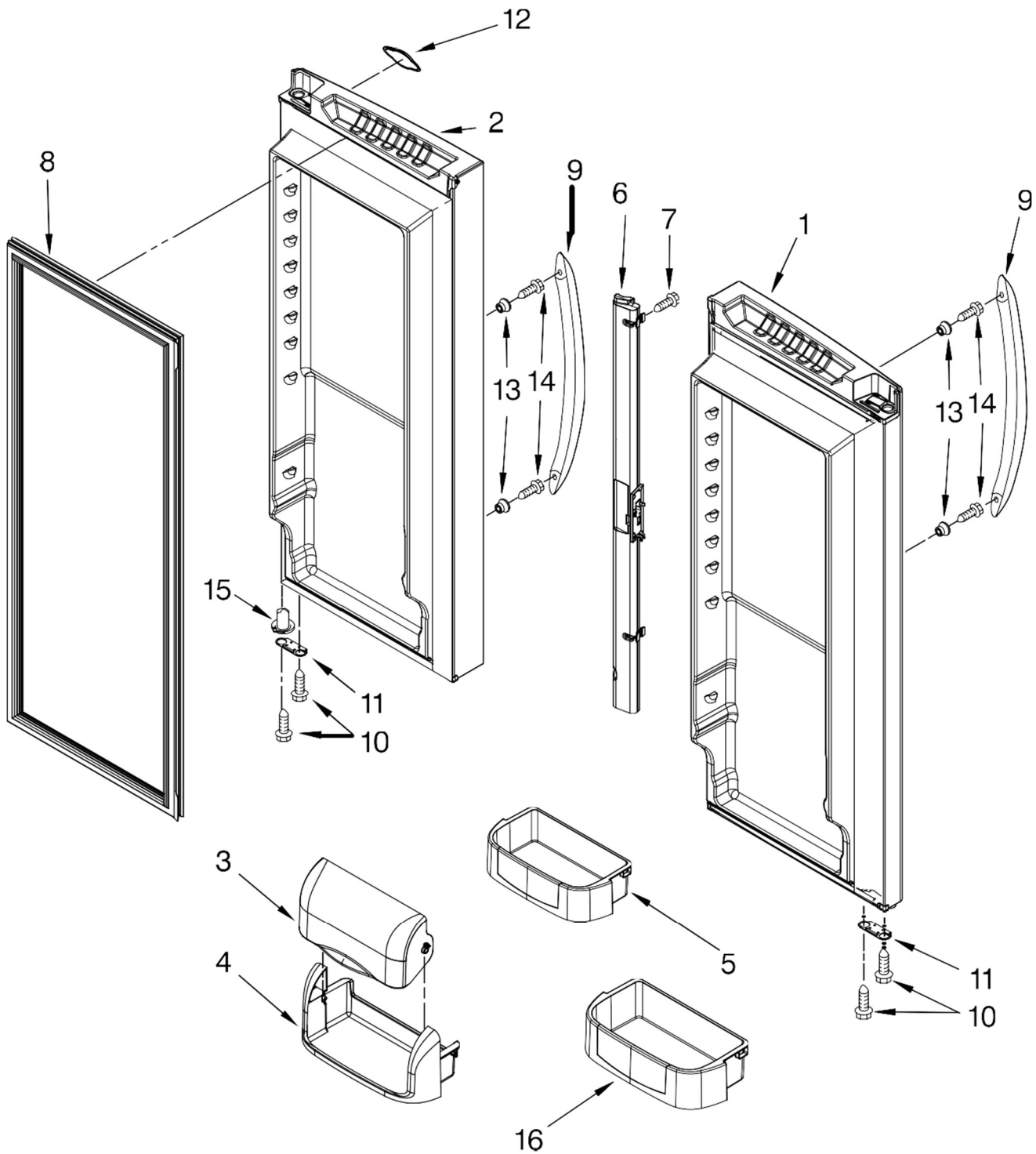
---

**Following Parts Not Illustrated**

---

W10224292 Harness, Control  
(Refrigerator)  
(Includes  
Thermistor)

# REFRIGERADOR MFD2562VEM1



FOR ORDERING INFORMATION REFER TO PARTS PRICE LIST

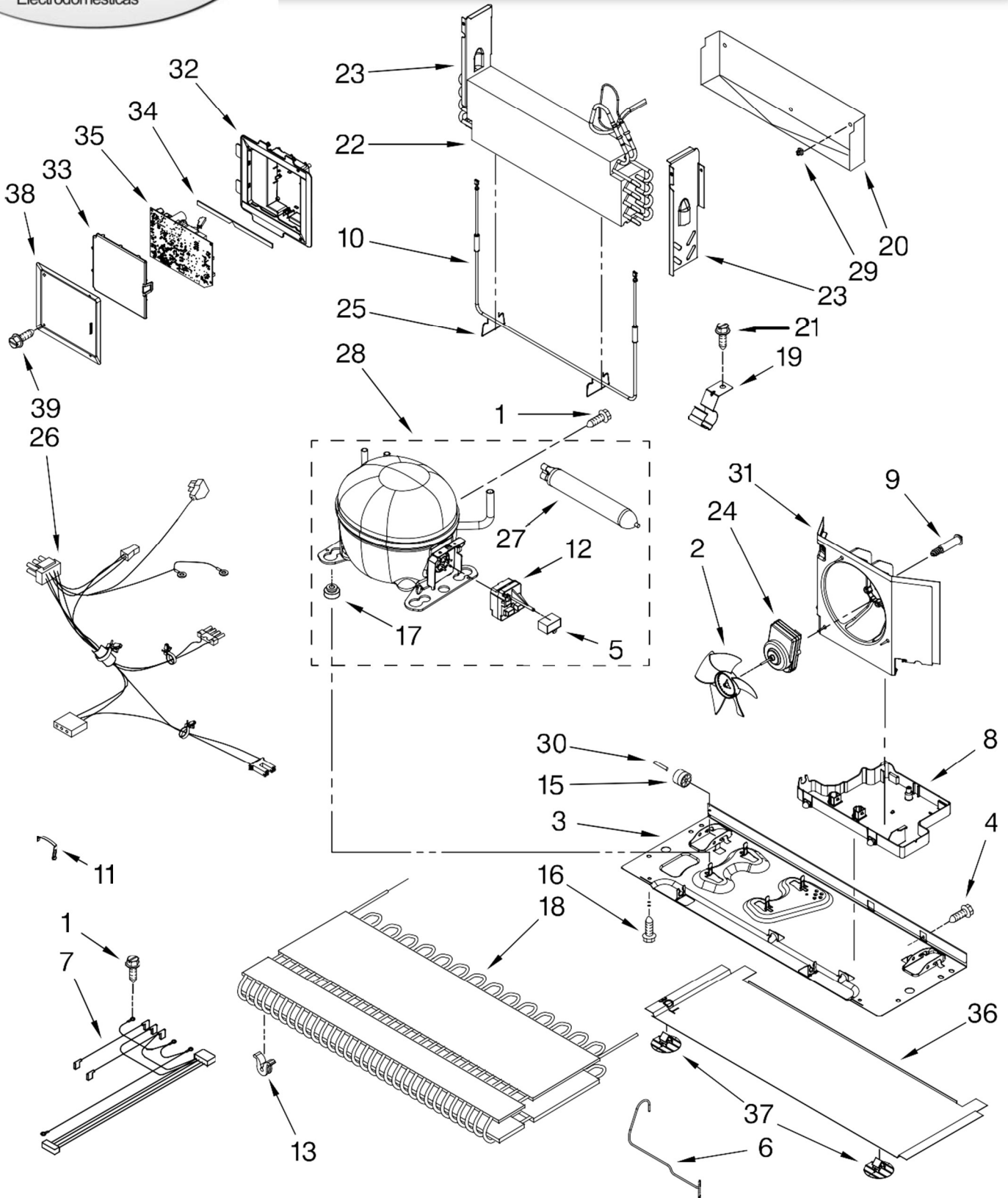


# REFRIGERADOR MFD2562VEM1

Illus. No.	Part No.	DESCRIPTION
1		Door, Left W10199095 White 12978074BQ Black 12978035SQ Stainless 12978035LQ Satina
2		Door, Right W10199092 White 12978075BQ Black 12978034SQ Stainless 12978034LQ Satina
3		12804701SP Door, Dairy
4		12369502SP Tray, Dairy
5		12801904 Bin, Shelf (3) (Medium)
6		Mullion, Door 12722803WKV White 12722803BKV Black 12722803APK Apollo Grey
7		12990204 Screw
8		Gasket, Door (2) W10163894 White W10163895 Black W10179332 Apollo Grey
9		Handle, Door W10197296 White W10197298 Black W10197299 Antique Pewter W10197295 Stainless
10		12990504 Screw
11		Stop, Door 12968202W White 12968202B Black 12968202AP Apollo Grey
12		W10170766 Nameplate
13		13001201 Mount, Handle
14		12991703 Screw
15		Closure, Door 12028505W White 12028505B Black 12028505AP Apollo Grey
16		12840002 Bin, Shelf (2) (Gallon)



# REFRIGERADOR MFD2562VEM1



FOR ORDERING INFORMATION REFER TO PARTS PRICE LIST

# REFRIGERADOR MFD2562VEM1

Illus. No.	Part No.	DESCRIPTION
1	12992301	Screw
2	12825803	Blade, Fan
3	W10210985	Basepan
4	12990511	Screw
5	2264017	Capacitor
6	W10233569	Tube, Discharge
7	W10224515	Harness, Evap. Heater
8	W10215085	Pan, Drain
9	W10216919	Screw, Shoulder
10	12729129	Heater, Defrost
11	W10174384	Strap, Bale
12	W10194431	Start Device
13	W10137529	Grommet, Cond (4)
15	12477102	Roller (2)
16	12992101	Screw
17	10835903SP	Grommet (4)
18	W10135026	Condenser
19	10547003	Clip, Drier
20	12225403WD	Tray, Drip
21	12990701	Screw
22	12726403	Evaporator

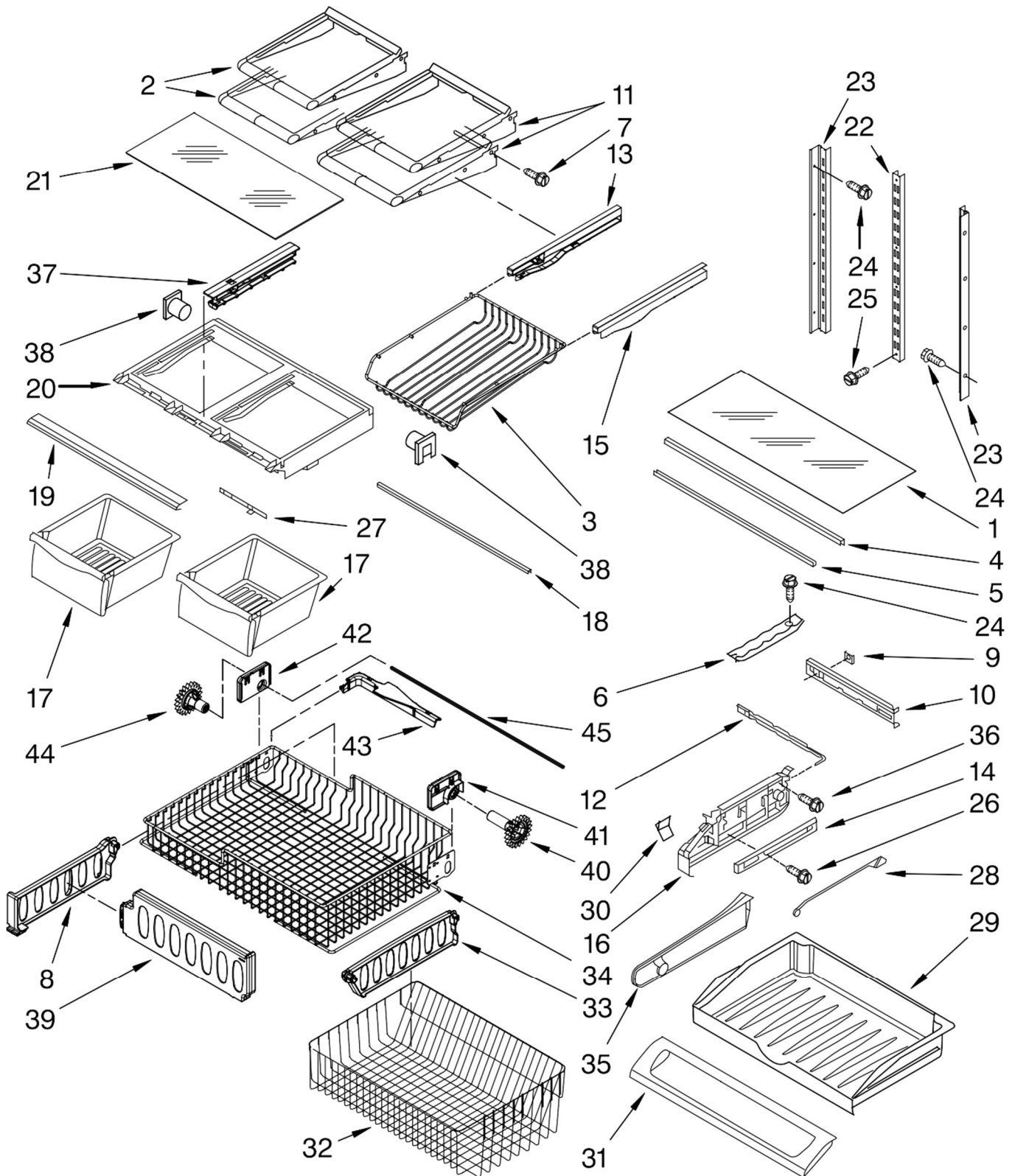
Illus. No.	Part No.	DESCRIPTION
23		Dam
	12225702	Right Side
	12225602	Left Side
24	12825101	Motor, Fan
25	10428101	Clip, Heater
26	W10234025	Harness, Unit with Power Cord
27	W10143759	Drier
28	W10164016	Compressor (Includes items 11,12,17,27)
29	10623002	Clip, Evaporator
30	12477202	Axle, Roller (2)
31	W10189184	Shroud
32	W10257665	Box, HV Control
33	12957702	Lid, HV Box
34	12957801	Gasket, HV Box
35	W10205552	Board, Control
36	W10206338	Extension-Basepan
37	W10206339	Fastener-Basepan
38	12961602	Cover-Control Box
39	12990702	Screw

Illus. No.	Part No.	DESCRIPTION
Following Parts Not Illustrated and Optional Parts Not Included		
	978025	Valve, Access (1/4")
	978026	Valve, Access (5/16")
	978027	Valve, Access (3/8")
	978028	Valve, Access (1/2")
	978029	Valve, Access (5/8")
	978030	Valve, Access (3/4")
	876764	Valve, Access (3/16")

### REFRIGERANT CHARGE

5.25 Ozs.  
(R-134A)

# REFRIGERADOR MFD2562VEM1



FOR ORDERING INFORMATION REFER TO PARTS PRICE LIST

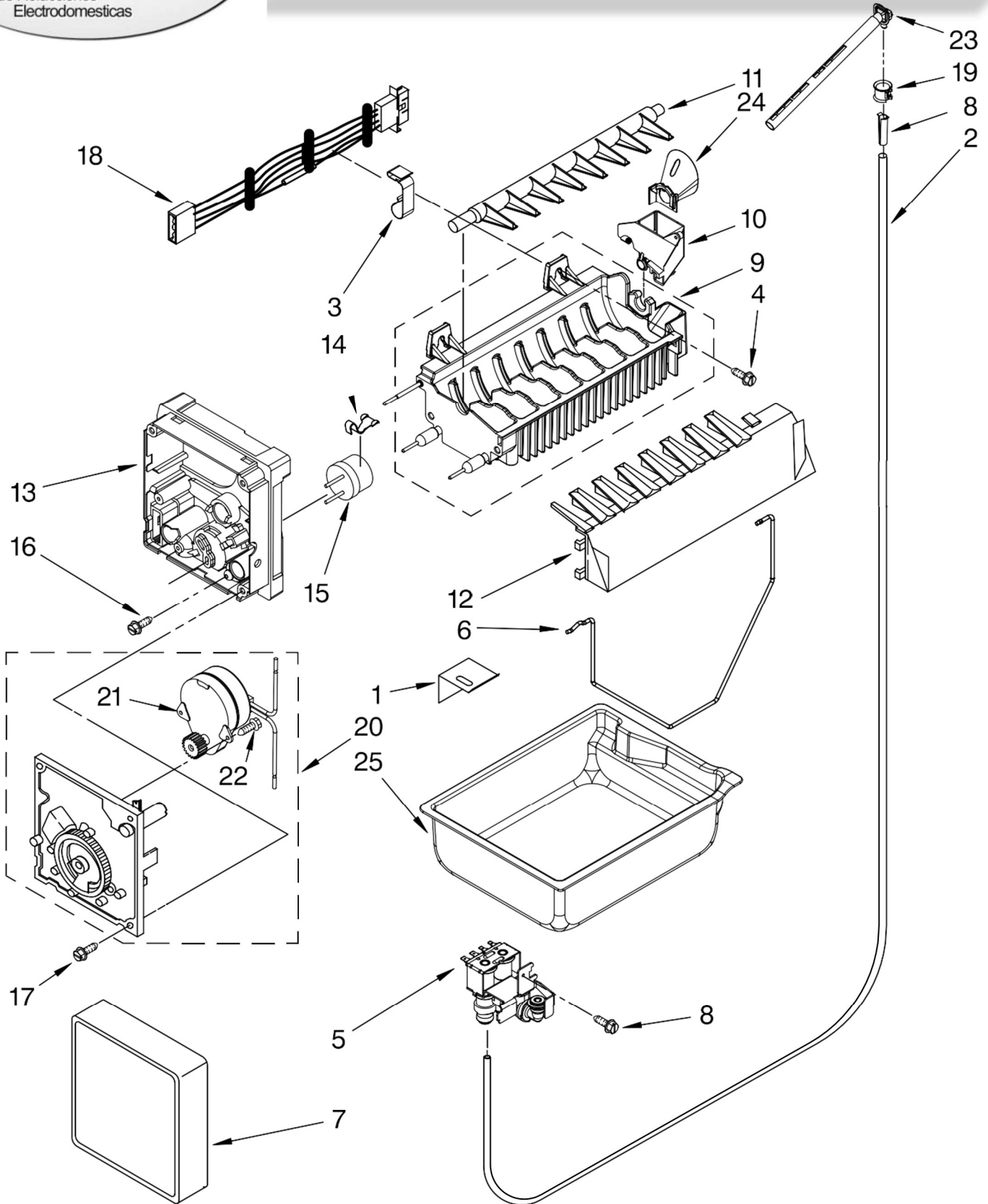
# REFRIGERADOR MFD2562VEM1

Illus. No.	Part No.	DESCRIPTION
1	12204830	Glass, Pantry
2	12654610	Shelf, Glide Out
3	12503805SP	Rack, Can
4	12655902SP	Extr, Glass Support (2)
5	12227305WD	Brace, Pantry (2)
6	12531901	Track, Pantry
7	12990515	Screw (4)
8	W10241046	Divider, Upper Basket
9	12656901	Gasket, Pantry
10	12656202	Housing, Control
11	12654710SP	Shelf, Stat (2)
12	12655402	Slide, Temperature
13	12656601SP	Glide, Left
14	13058101V	Glide, Drawer(2)
15	12656602SP	Glide, Right
16		Endcap, Pantry
	12656106	Left
	12656019	Right

Illus. No.	Part No.	DESCRIPTION
17	12804601	Pan, Crisper (2)
18	12642303WD	Brace, Crisper
19	W10231345	Trim, Crisper
20	12796301SP	Frame, Crisper
21	12204824	Glass, Crisper Cover
22	W10273463	Ladder, Center
23	W10251971	Ladder, Side
24	12990513	Screw (6) 25
	12990515	Screw (2) 26
	12990512	Screw (4)
27	12530805SP	Slide, Humidity Control
28	12655304	Rod, Temperature Control
29	12731302	Drawer, Pantry
30	12655204V	Knob, Temperature Control
31	12656815	Door, Pantry Drawer
32	W10150039	Basket, Freezer (Lower)

Illus. No.	Part No.	DESCRIPTION
33	W10146440	Divider, Lower Basket
34	W10209706	Basket, Freezer (Upper)
35	12731901	Divider, Pantry Drawer
36	12990504	Screw (4)
37	12796401	Rail, Center Crisper Frame
38	13062602	Supports, Crisper Frame
39	W10171558	Divider, Upper Freezer
40	W10146446	Gear
41	W10233899	Mount, RH Gear
42	W10233898	Mount, LH Gear
43	W10149389	Lift, Bail Arm
44	W10158749	Gear
45	12812904WD	Shaft

# REFRIGERADOR MFD2562VEM1



FOR ORDERING INFORMATION REFER TO PARTS PRICE LIST

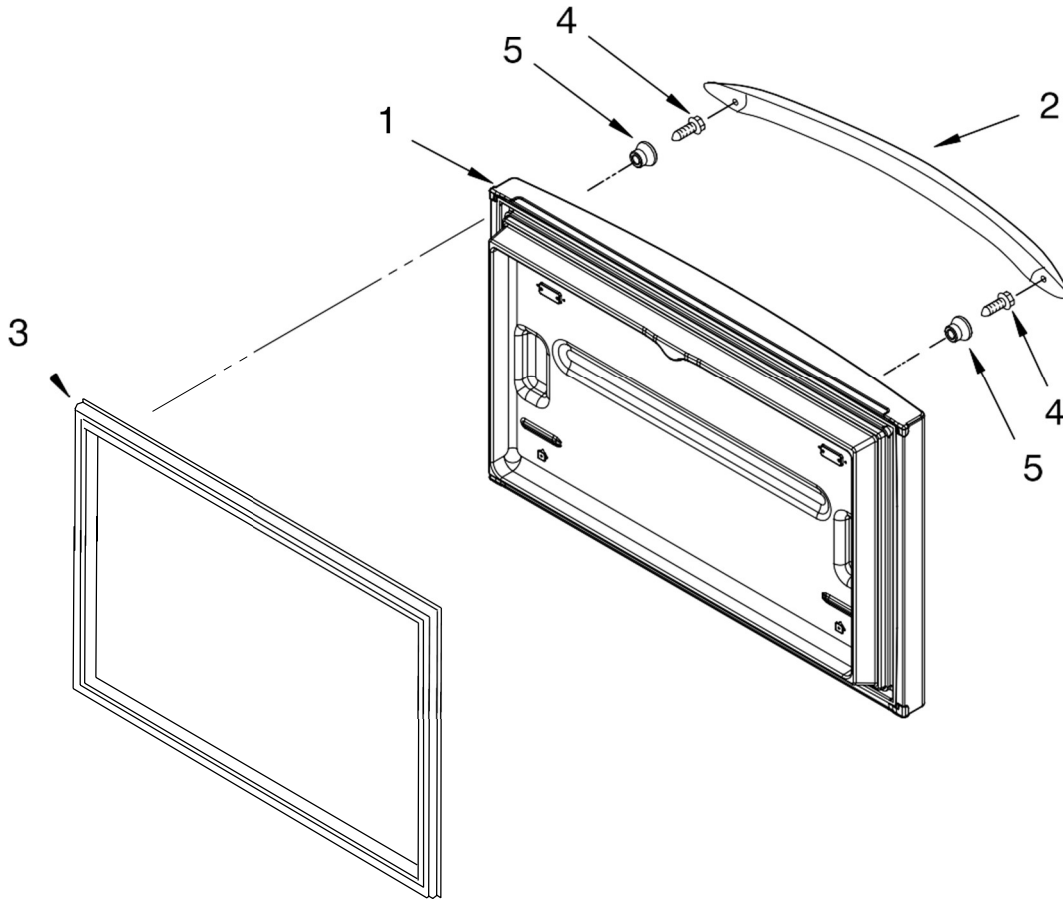
# REFRIGERADOR MFD2562VEM1

<b>Illus. No.</b>	<b>Part No.</b>	<b>DESCRIPTION</b>
1	2256086	Bracket, Ice Maker
2	B5705333SP	Tubing, Plastic
3	10526702	Clamp
4	489276	Screw
5	12544124	Valve, Water
6	12868001	Arm, Shutoff
7	12582501	Cover
8	A3223101SP	Insert, Tube
9	W10122527	Mold & Heater Assembly (Also Order 542638)
10	628515	Cup, Water Fill
11	627843	Ejector
12	2182124	Ice Stripper
13	2194712	Support, Housing
14	2315522	Retainer, Thermostat
15	628397	Thermostat (Order 542369 Cement)
16	8533917	Screw (2)
17	489464	Screw
18	D7813011	Harness, Ice Maker
19	M0114003SP	Clip, Speed
20	W10223929	Module Assembly (Includes Items 21 & 22)
21	W10122551	Motor
22	489136	Screw
23	W10137519	Elbow, Fill Tube
24	12918001	Funnel, Fill Tube
25	W10171529	Pan, Ice
100	W10190978	Icemaker Assembly

### Following Parts Not Illustrated

10244904 Coupling

# REFRIGERADOR MFD2562VEM1



Illus. No.	Part No.	DESCRIPTION
1		Freezer Door
	W10199889	White
	12977838BQ	Black
	12977818SQ	Stainless
	12977818LQ	Satina
2		Handle
	W10197301	White
	W10197303	Black
	W10197300	Stainless
	W10197304	Antique Pewter
3		Gasket, Door
	W10164040	White
	W10164041	Black
	W10164042	Apollo Grey
4	12991703	Screw
5	13001201	Mount, Handle

FOR ORDERING INFORMATION REFER TO PARTS PRICE LIST

# OPTIONAL PARTS (NOT INCLUDED)

For Models: MFD2562VEW1, MFD2562VEB1, MFD2562VEA1, MFD2562VEM1  
 (White) (Black) (Monochromatic Satina) (Monochromatic Stainless)

Illus. Part No. No. DESCRIPTION	Illus. Part No. No. DESCRIPTION	Illus. Part No. No. DESCRIPTION
Parts Not Illustrated and Optional Parts (Not Included)	<u>Miscellaneous</u>	<u>TORX SCREW WRENCH</u>
<u>Customer Touch-Up Material</u>	212643 Sealer, Gum (4 Feet) 479502 Tape, Vinyl (3/4 x 108") 876370 Kit, Insulation (2 Pcs. x 3" x 24" X 48") 876305 Kit, Insulation (14 Pcs. x 3" x 24" x 48") 978941 Insulation, Fiberglass (63-1/2" x 35-1/2" X 2-5/8) 876029 Kit, Foam Slab (30" x 32-1/2" x 1-1/2") 505587 Sealer, Mastic (1 Qt.) 503695 Cork, Sealer (1/4 Pound) 20000008 Cleaner, Stnls Steel Magic 542638 Grease, Silicone (1/2 Oz.) 542639 Cement, Alumilastic (1-1/4 Oz.) 606755 Bag, Insulation (36-5/8" x 46") 799833 Kit, Evaporator Repair (Aluminum Epoxy) 833938 Kit, Terminal Connector	1117510 Torx Key
*350942 Primer, White (13 Oz. Spray Can) *350939 Enamel, Black (13 Oz. Spray Can) *350930 Enamel, White (13 Oz. Spray Can) 72017 Brush Touch-Up Kit (White) 72032 Brush Touch-up kit (Black)		
*Important: The spray paint is not to be used where the paint may make contact with the door gaskets.		
<u>Refinishing Material</u>		
799340 Enamel, Black (1 Qt. Uncut) 799344 Enamel, White (1 Qt. Uncut)		