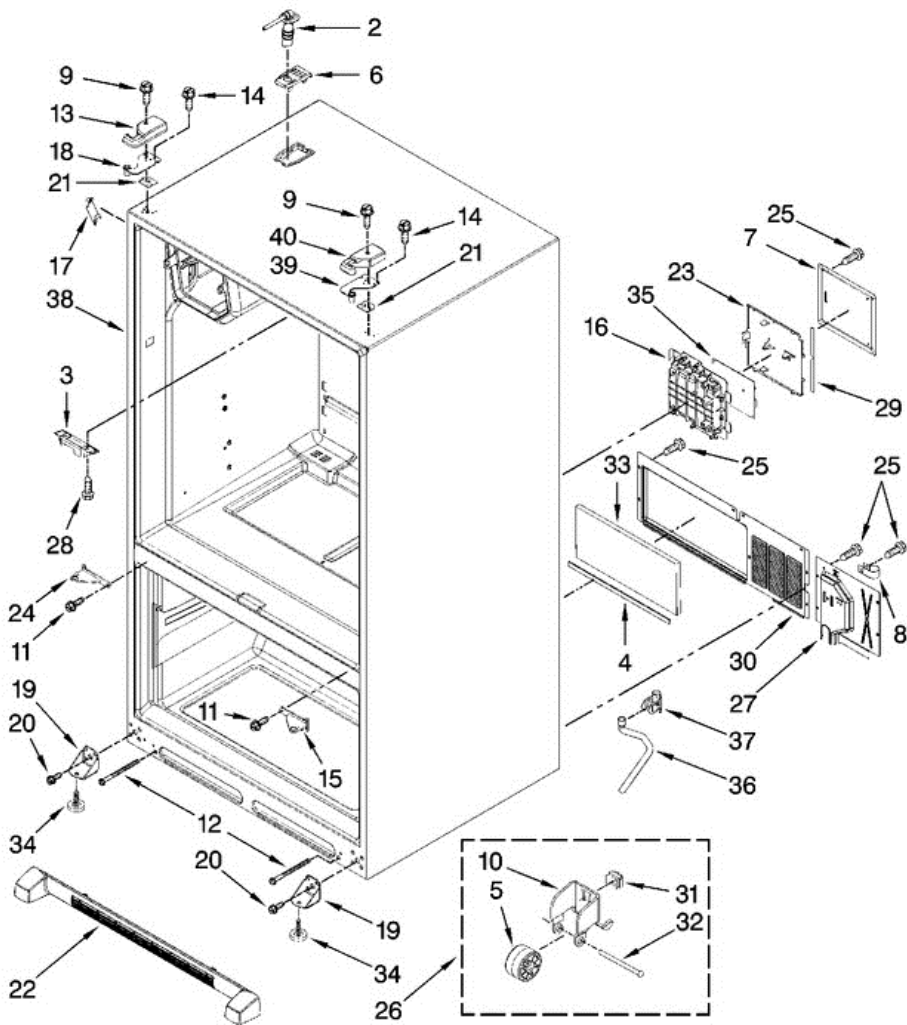


MFI2568AES12 CABINET



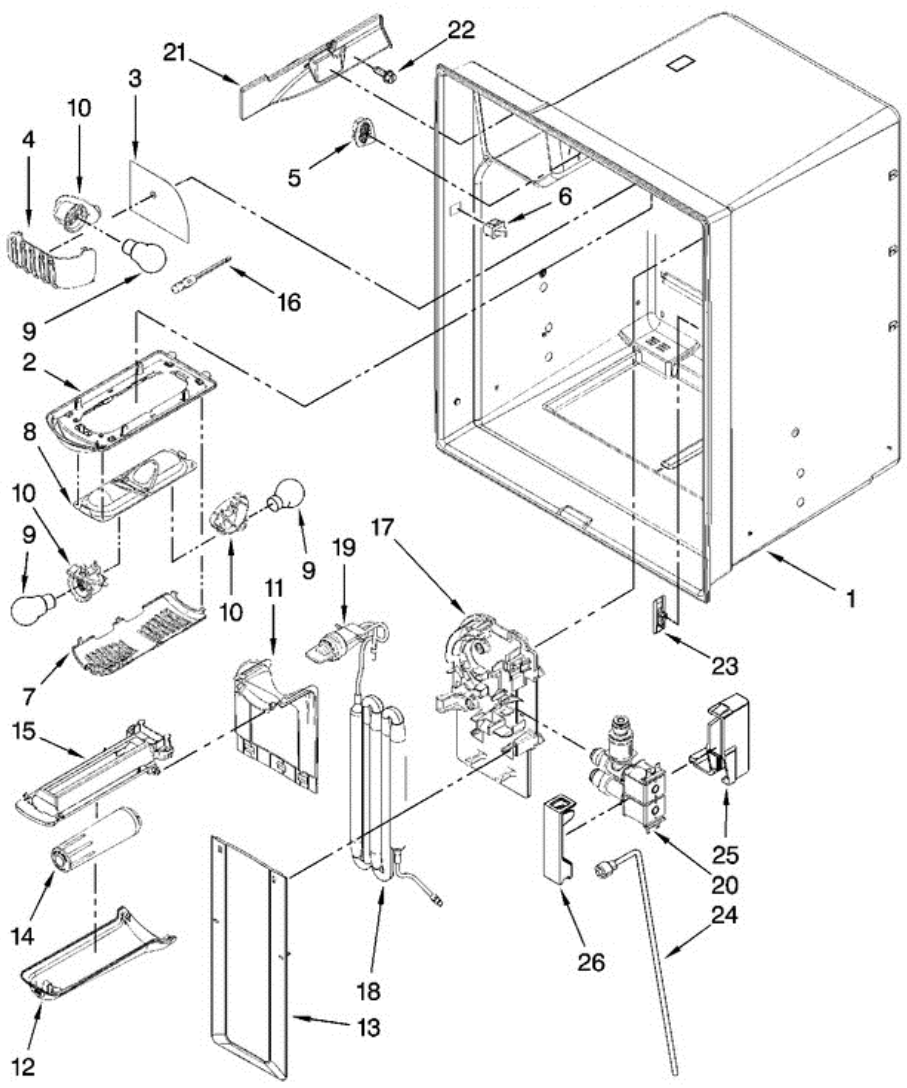


MFI2568AES12 CABINET

2	67006317	TUBE W/WATERLINE, FILL-IM
3	67003405	BLOCK, PIVOT
4	B5759649	GASKET, MC BACK
5	67005127	ROLLER
6	67006320	COVER, FILL TUBE (BLACK)
6	67006321	COVER, FILL TUBE (WHITE)
7	67006427	COVER, CONTROL BOX
8	M0108105	CLAMP, TUBE
9	67006521	SCREW, HINGE COVER
10	12456801	BRACKET, ROLLER
11	67006380	SCREW, CENTER HINGE
12	67006611	BOLT, ROLLER ADJ
13	67005951	COVER, TOP HINGE (LEFT) (BLACK)
13	67005952	COVER, TOP HINGE (LEFT) (BISQUE)
13	67005953	COVER, TOP HINGE (LEFT) (WHITE)
14	67006303	SCREW, TOP HINGE
15	67006379	HINGE, CENTER (RT) (WHITE)
15	67006443	HINGE, CENTER (RT) (BLACK)
16	67006390	BOX, HV CONTROL
17	67003484	COVER, CORNER (2) (WHITE)
17	67003485	COVER, CORNER (2) (BLACK)
17	67003486	COVER, CORNER (2) (BISQUE)
18	67005950	HINGE, TOP LEFT
19	67007174	BRACKET, FOOT CABINET (2)
20	67006564	SCREW (8)
21	67006308	SHIM, TOP HINGE (LEFT)
21	67006309	SHIM, TOP HINGE (RIGHT)
22	67006375	GRILLE, TOE (BLACK)
22	67006376	GRILLE, TOE (BISQUE)
22	67006377	GRILLE, TOE (WHITE)
23	67006428	LID, HV CONTROL
24	67006277	HINGE, CENTER (LT) (WHITE)
24	67006442	HINGE, CENTER (LT) (BLACK)

25	67006425	SCREW, COVER
26	67006118	ROLLER ASSY. (2)
27	67006426	COVER, WATER VALVE
28	67006626	SCREW, BLOCK
29	67006429	GASKET, HV CONTROL
30	67006101	COVER, MC BACK
31	M0286708	NUT, SPEED (2)
32	M1205302	RIVET (2)
33	67003796	FIBER, ACOUSTIC
34	67003868	BRAKE, FOOT
35	W10162662	BOARD, HV CONTROL
36	67001066	TUBE, DRAIN
37	67001067	CLIP, DRAIN TUBE
39	67005955	HINGE, TOP RIGHT
40	67005956	COVER, TOP HINGE (RIGHT) (BLACK)
40	67005957	COVER, TOP HINGE (RIGHT) (BISQUE)
40	67005958	COVER, TOP HINGE (RIGHT) (WHITE)

MFI2568AES12 REFRIGERATOR LINER

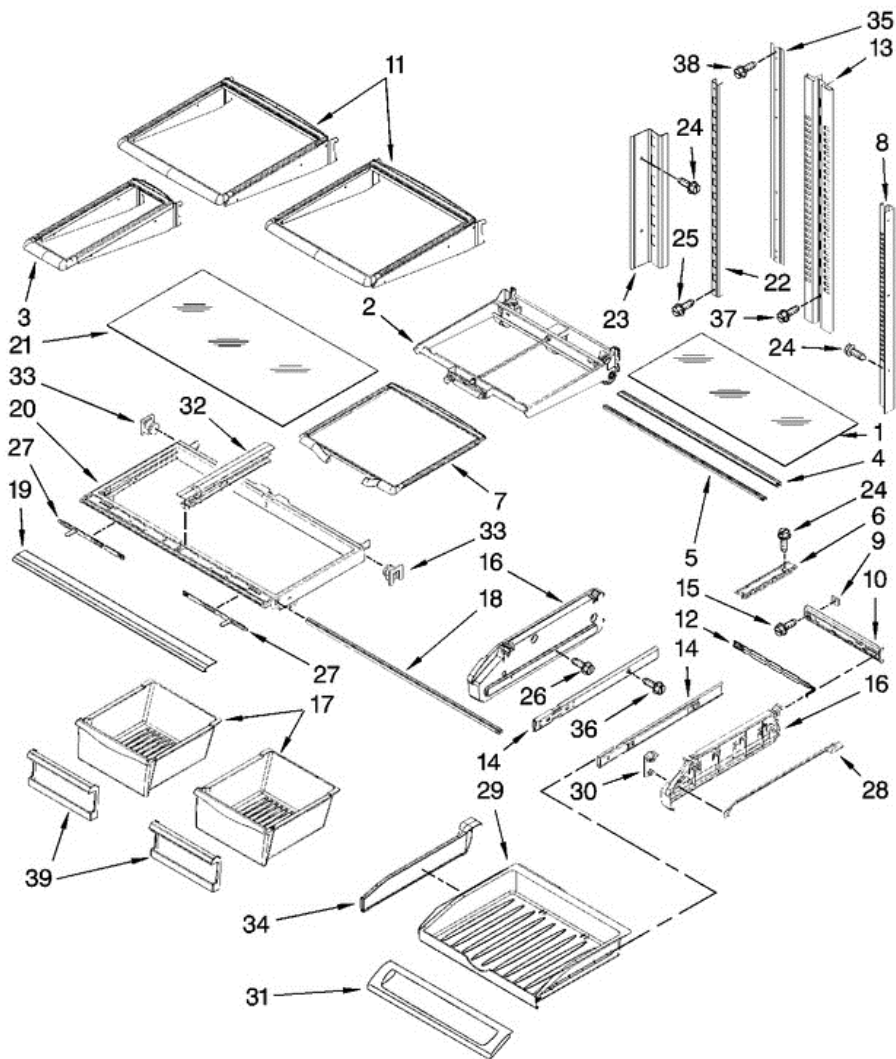




MFI2568AES12 REFRIGERATOR LINER

2	67006328	MODULE, LIGHT
3	67006326	FOIL, LIGHT
4	67006327	COVER, LIGHT
5	67006316	GRILLE, AIR
6	12466103	SWITCH, LIGHT (2)
7	67006318	COVER, LIGHT
8	67003901	HOUSING, LIGHT
9	A0282812	BULB, LIGHT
10	Y12570701	SOCKET, LIGHT
11	67006330	COVER, WATER TANK (UPPER)
12	67006331	LID, WATER FILTER
13	67006329	COVER, WATER TANK (LOWER)
14	UKF8001AXX	FILTER, WATER
15	67006325	BRACKET, FILTER BASE
16	12002355	THERMISTOR
17	67006324	BRACKET, WATER TANK & VALVE
18	12956202	WATER TANK & HEAD ASSEMBLY
19	12664501	PLUG, BYPASS
20	67006322	VALVE, WATER INLET
21	67006350	COVER, ICE BOX HARNESS
22	M0238642	SCREW
23	67006319	COVER, CHILLER VENT
24	12962204	WATERLINE, CABINET (W/NUT)
25	W10118193	ENCLOSURE, WATER VALVE CONNECTOR
26	W10118194	LID, ENCLOSURE

MFI2568AES12 SHELF



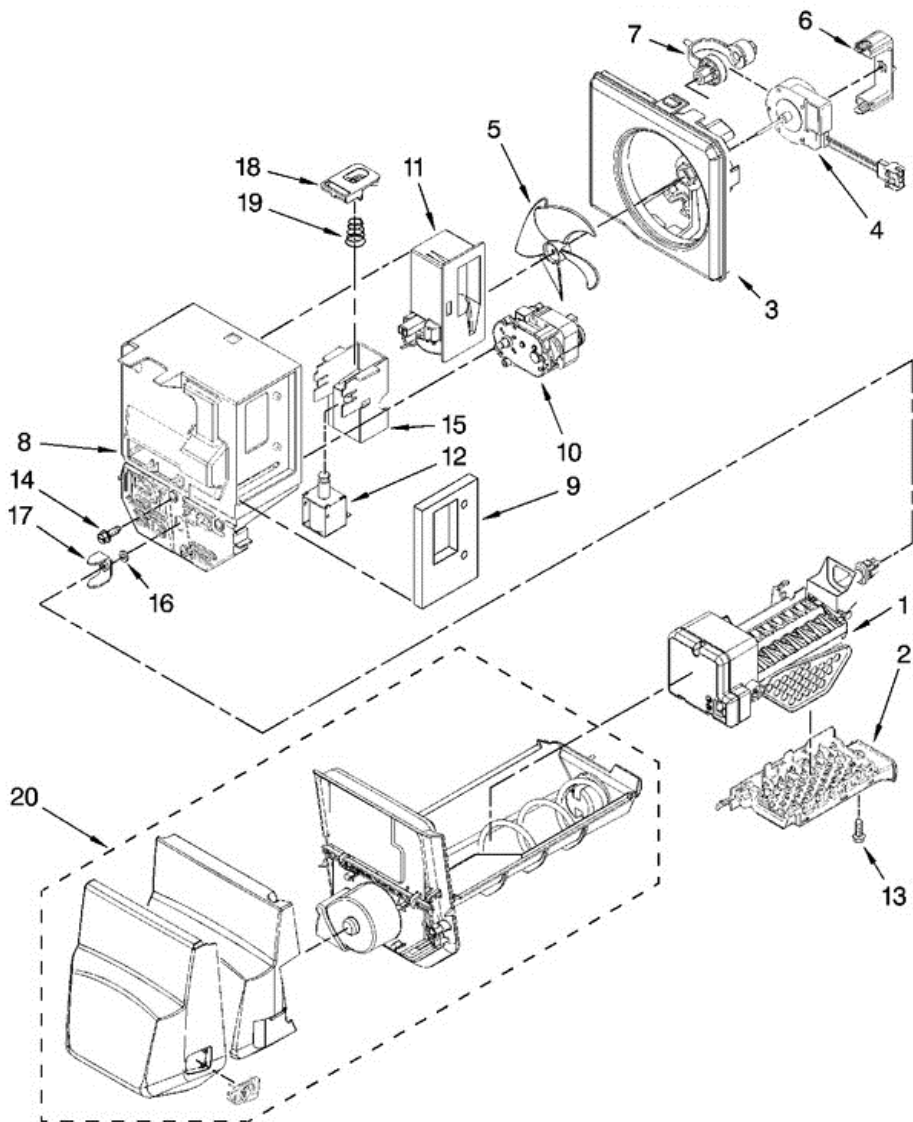


MFI2568AES12 SHELF

1	67002761	GLASS, PANTRY
2	12753917	FRAME ASSY., ELEVATOR SHELF
3	67006357	SHELF, MINI STATIONARY
4	67006010	EXTR, GLASS SUPPORT (2)
5	67002330	BRACE, PANTRY (2)
6	67001719	TRACK, PANTRY
7	67006352	SHELF, ELEVATOR
8	67006355	LADDER, SIDE ELEVATOR
9	67002329	GASKET, PANTRY
10	67005625	HOUSING, CONTROL
11	67006351	SHELF, GLIDE (2)
12	67003793	SLIDE, TEMPERATURE
13	67006356	LADDER, CENTER ELEVATOR
14	67007026	GLIDE, DRAWER(2)
15	67006400	SCREW
16	67005858	ENDCAP, PANTRY (RIGHT)
16	67005863	ENDCAP, PANTRY (LEFT)
17	67004515	PAN, CRISPER (2)
18	67002748	BRACE, CRISPER COVER
19	67004510	TRIM, CRISPER
20	67003854	FRAME, CRISPER
21	67006704	GLASS, CRISPER COVER
22	67006358	LADDER, CENTER
23	67006354	LADDER, SIDE
24	67006400	SCREW
25	67006360	SCREW (2)
26	67006415	SCREW
27	67005864	SLIDE, HUMIDITY CONTROL
28	67003795	ROD, TEMPERATURE CONTROL
29	67003531	DRAWER, PANTRY
30	67003791	KNOB, TEMPERATURE CONTROL
31	67005903	DOOR, PANTRY DRAWER
32	67004514	RAIL, CENTER CRISPER FRAME

33	12603701	SUPPORTS, CRISPER FRAME
34	67002759	DIVIDER, PANTRY DRAWER
35	67006536	ADAPTER, CENTER LADDER
36	67006287	SCREW
37	W10164192	SCREW (2)
38	67006415	SCREW, ADAPTER
39	67005923	FRONT, CRISPER PAN (2)

MFI2568AES12 MOTOR & ICE CONTAINER

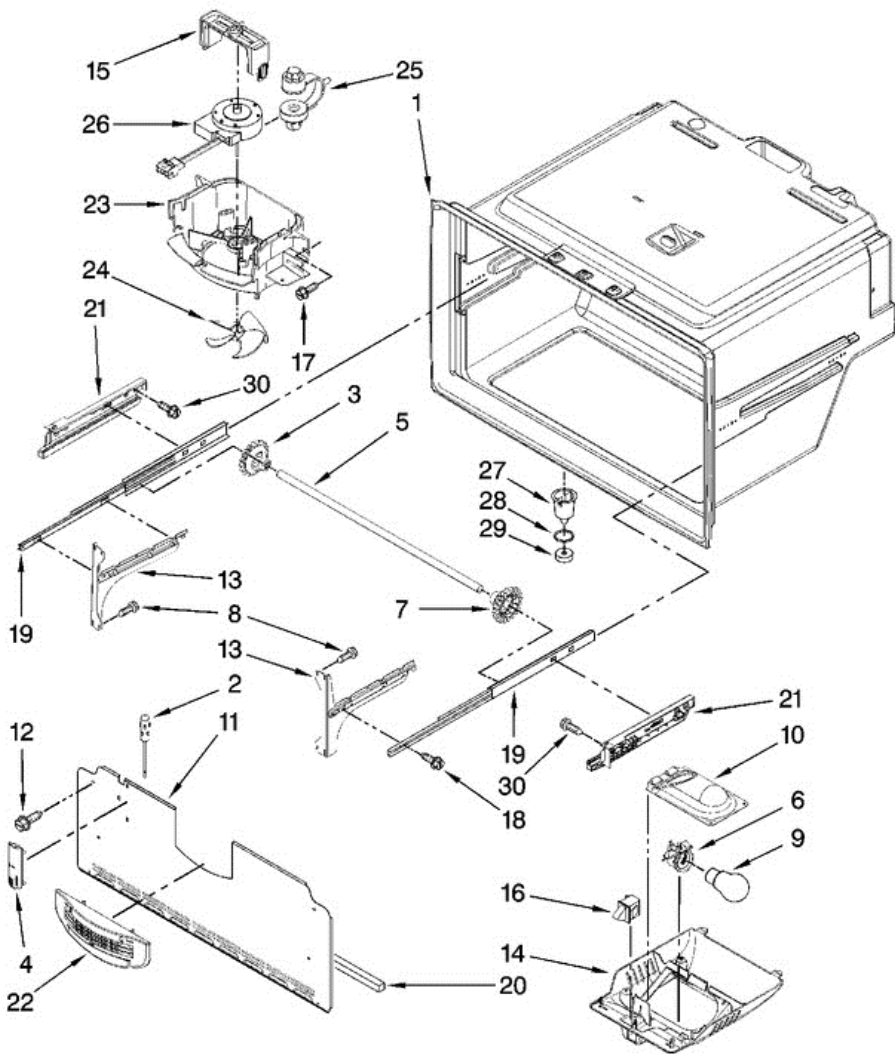




MFI2568AES12 MOTOR & ICE CONTAINER

1	Y13068002	ICEMAKER (INCLUDES FILL TUBE CUP, WIRE HARNESS & SENSOR ARM)
2	67006334	IMPINGER ASSEMBLY
3	67006335	SHROUD, ICE BOX FAN
4	W10162697	MOTOR, FAN
5	67006337	BLADE, FAN
6	W10164399	CLIP, FAN MOTOR
7	67006339	GROMMET, FAN MOTOR
8	W10162707	DIVIDER, ICE BOX
9	67006341	GASKET, DAMPER
10	67006342	MOTOR, AUGER
11	W10127427	DAMPER, CONTROL
12	67006344	SOLENOID
13	67007110	SCREW, IMPINGER
14	67006425	SCREW (3)
15	67007111	BRACKET, SOLENOID
16	67006346	WASHER
17	63052-1	YOKE, ICE DISPENSER
18	67006347	YOKE, SOLENOID
19	67006348	SPRING, SOLENOID
20	67006349	ICE BIN ASSEMBLY (INCLUDES AUGER)

MFI2568AES12 FREEZER LINER

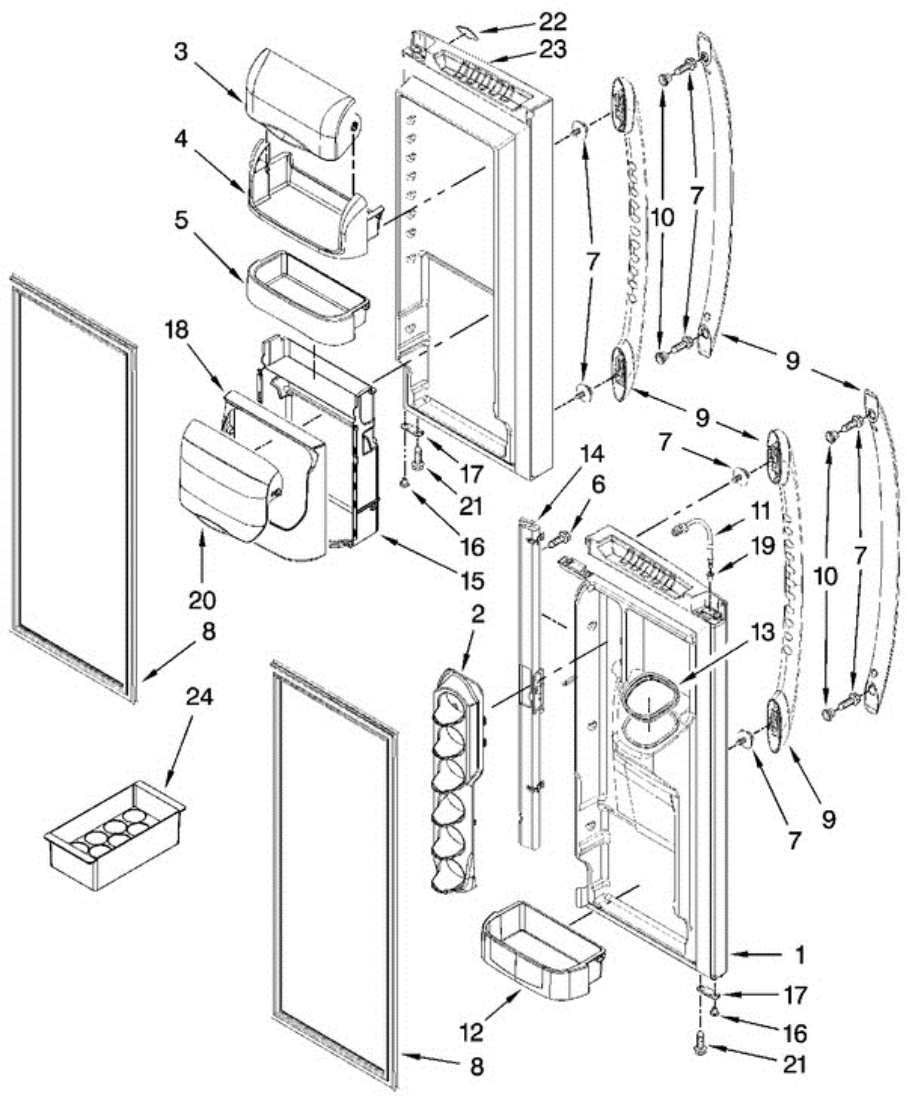




MFI2568AES12 FREEZER LINER

2	12002355	THERMISTOR KIT
3	12002497	GEAR (LEFT) (INCLUDES ITEM 7)
4	67003924	COVER, THERMISTOR
5	67004017	SHAFT, RACK
6	Y12570701	SOCKET, LIGHT
7	12002497	GEAR (RIGHT) (INCLUDES ITEM 3)
8	67006473	SCREW, BRACKET (8)
9	A0282812	BULB, LIGHT
10	67001035	HOUSING, LIGHT
11	67006383	COVER, EVAP
12	67006425	SCREW
13	W10122147	BRACKET, DOOR SLIDE (LEFT)
13	W10122148	BRACKET, DOOR SLIDE (RIGHT)
14	67006423	MODULE, FREEZER LIGHT
15	67006338	CLIP, FAN MOTOR
16	67006422	SWITCH, ROCKER
17	67006287	SCREW, FAN SHROUD
18	67006769	SCREW, SLIDE TO BASKET
19	W10120018	SLIDE, DRAWER (2)
20	67003731	GASKET, FOAM
21	W10120017	ADAPTER (LEFT)
21	W10120083	ADAPTER (RIGHT)
22	67006382	GRILLE, AIR
23	67006424	SHROUD, EVAP FAN
24	67006337	BLADE, FAN (EVAPORATOR)
25	67006339	GROMMET, FAN MOTOR (2)
26	W10162809	MOTOR, EVAPORATOR FAN
27	D7753903	FUNNEL, DRAIN
28	M0500703	SEAL, O RING
29	B8381501	GASKET, DRAIN TUBE
30	67006406	SCREW, ADAPTER

MFI2568AES12 REFRIGERATOR DOOR



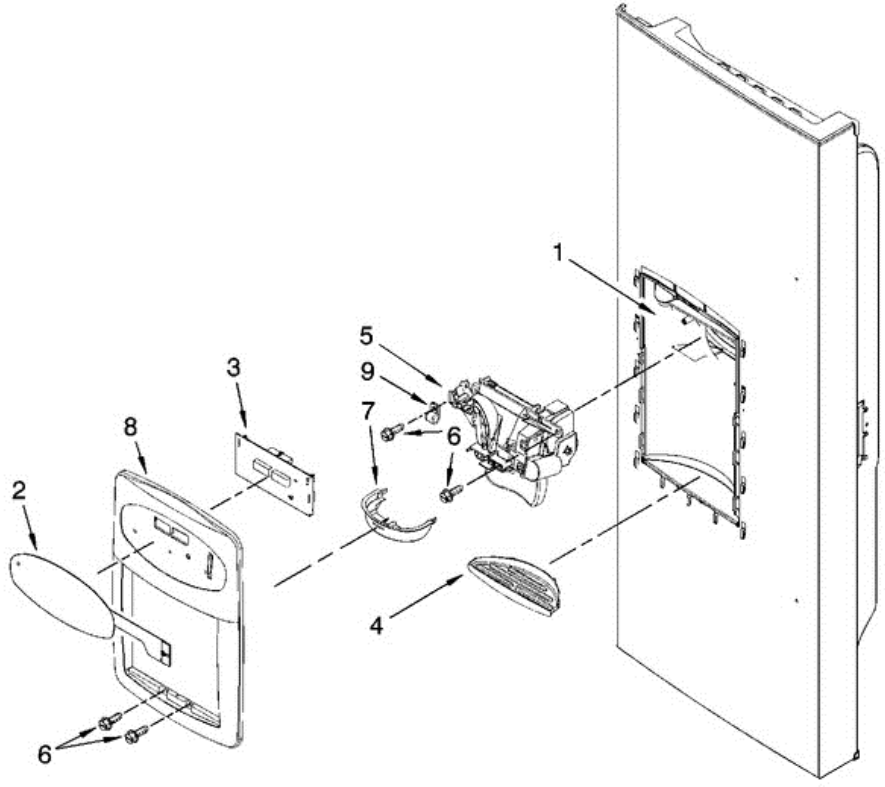


MFI2568AES12 REFRIGERATOR DOOR

1	W10162821	DOOR, LEFT (WHITE)
1	W10162822	DOOR, LEFT (BLACK)
1	W10162823	DOOR, LEFT (STAINLESS)
1	W10164403	DOOR, LEFT (BISQUE)
2	67006311	DISPENSER, CAN
3	67003637	DOOR, DAIRY
4	67001279	TRAY, DAIRY
5	67006313	BIN, SHELF (CHILLER TOP)
6	67006400	SCREW
7	12992902	SCREW, HANDLE (WHITE, BLACK AND BISQUE MODELS)
7	67002935	SCREW, HANDLE (STAINLESS MODEL)
8	W10162891	GASKET, DOOR (BLACK)
8	W10162893	GASKET, DOOR (WHITE)
9	W10119651	HANDLE, DOOR (WHITE)
9	W10119652	HANDLE, DOOR (BISQUE)
9	W10119653	HANDLE, DOOR (BLACK)
9	W10136871	HANDLE, DOOR (STAINLESS)
10	67006113	MOUNT, HANDLE (STAINLESS MODEL)
11	12962106	WATERLINE, DOOR
12	67006310	BIN, SHELF (GALLON)
13	67007108	SEAL, ICE CHUTE
14	W10164404	MULLION, DOOR (WHITE)
14	W10164405	MULLION, DOOR (BLACK)
14	W10164406	MULLION, DOOR (BISQUE)
15	67006315	FRAME, CHILLER (REAR)
16	67003638	CLOSURE, DOOR (WHITE)
16	67003639	CLOSURE, DOOR (BLACK)
17	12968202Q	STOP, DOOR (BISQUE)
17	12968202W	STOP, DOOR (WHITE)
17	67007011	STOP, DOOR (BLACK)
18	67006314	FRAME, CHILLER (FRONT)
19	67005954	CLIP, BUSHING WIRE (LEFT DOOR)
20	67006312	DOOR, CHILLER

21	67006473	SCREW
22	67006439	NAMEPLATE
23	W10160129	DOOR, RIGHT (STAINLESS)
23	W10162841	DOOR, RIGHT (BLACK)
23	W10162842	DOOR, RIGHT (WHITE)
23	W10164407	DOOR, RIGHT (BISQUE)
24	67215-2	TRAY, EGG

MFI2568AES12 DISPENSER FRONT

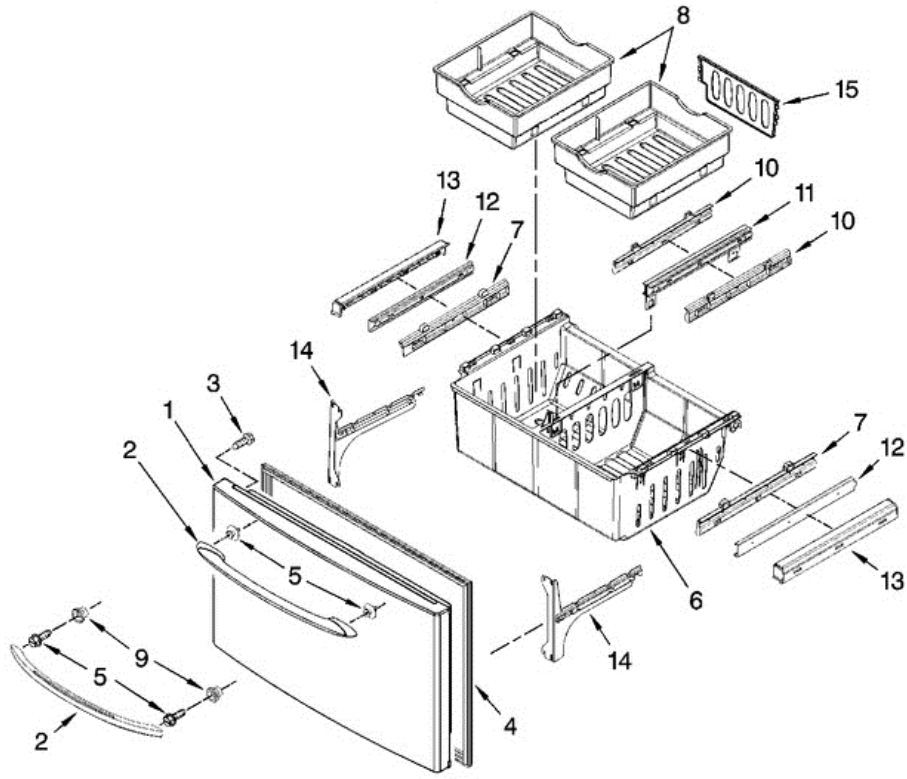




MF12568AES12 DISPENSER FRONT

2	67006291	DISPENSER KEYBOARD (BLACK)
2	67006292	DISPENSER KEYBOARD (BISQUE)
2	67006293	DISPENSER KEYBOARD (WHITE)
3	67006294	BOARD, L.V.
4	67006394	SUMP, DISPENSER (WHITE)
4	67006399	SUMP, DISPENSER (BLACK)
4	67006440	SUMP, DISPENSER (BISQUE)
5	67006297	CHUTE, EXT/YOKE (INCLUDES SWITCH) (BISQUE)
5	67006298	CHUTE, EXT/YOKE (INCLUDES SWITCH) (WHITE)
5	Y67006296	CHUTE, EXT/YOKE (INCLUDES SWITCH) (BLACK)
6	67006400	SCREW
7	67006295	RING, TARGET
8	67006288	FACADE, DISPENSER (BLACK)
8	67006289	FACADE, DISPENSER (BISQUE)
8	67006290	FACADE, DISPENSER (WHITE)
9	M0108106	CLAMP, TUBE

MFI2568AES12 FREEZER DOOR

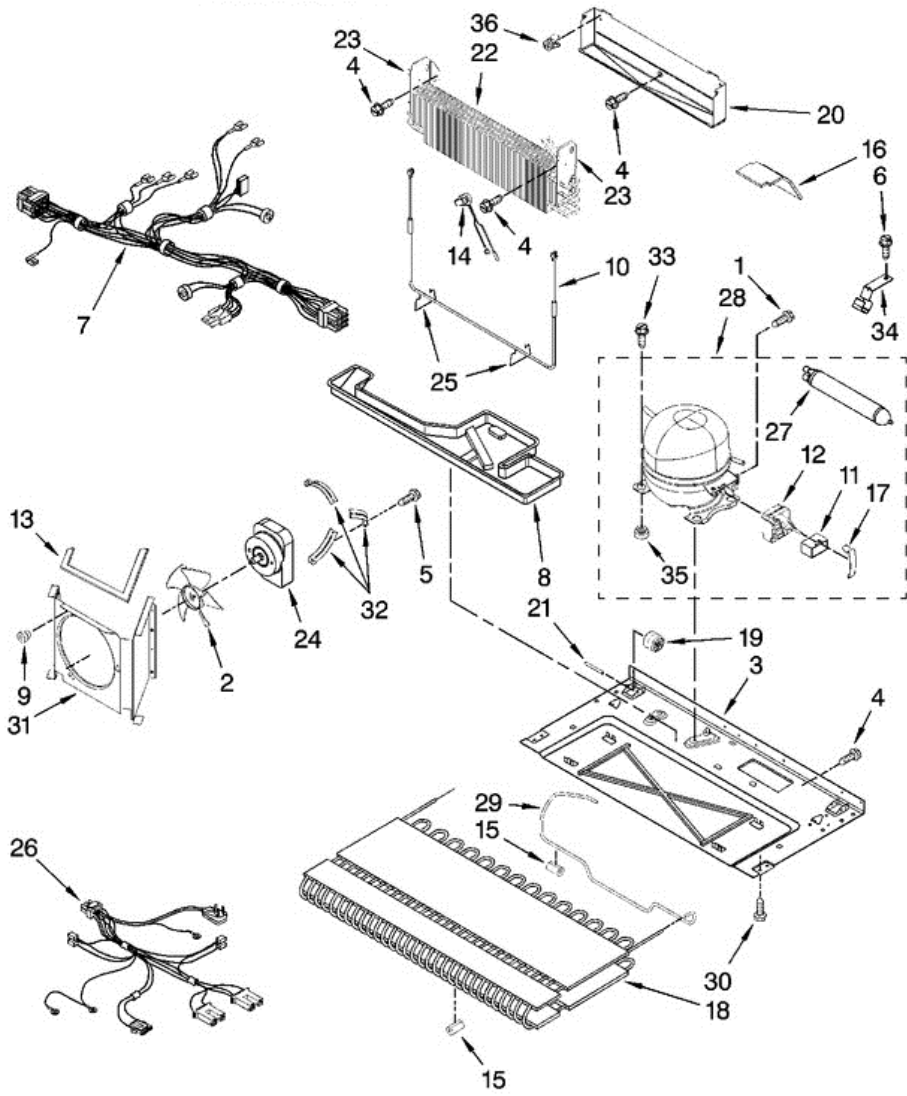




MFI2568AES12 FREEZER DOOR

1	W10162858	FREEZER DOOR (STAINLESS)
1	W10162860	FREEZER DOOR (WHITE)
1	W10162862	FREEZER DOOR (BLACK)
1	W10164408	FREEZER DOOR (BISQUE)
2	W10119657	HANDLE, DOOR (WHITE)
2	W10119658	HANDLE, DOOR (BISQUE)
2	W10119659	HANDLE, DOOR (BLACK)
2	W10138763	HANDLE, DOOR (STAINLESS)
3	67006408	SCREW
4	W10162895	GASKET, DOOR (BLACK)
4	W10162897	GASKET, DOOR (WHITE)
5	12992902	SCREW, HANDLE (WHITE, BLACK AND BISQUE MODELS)
5	67002935	SCREW, HANDLE (STAINLESS MODEL)
6	67006366	BIN, LOWER
7	67006370	ADAPTER, BIN (OUTER)
8	67006374	BIN, UPPER
9	67006113	MOUNT, HANDLE (STAINLESS MODEL)
10	W10163002	ADAPTER, BIN (INNER)
11	67006372	BRACKET/GLIDE ASSEMBLY
12	67006369	GLIDE, UPPER
13	67006367	RETAINER, GLIDE (LEFT)
13	67006368	RETAINER, GLIDE (RIGHT)
14	W10122147	BRACKET, DOOR SLIDE (LEFT)
14	W10122148	BRACKET, DOOR SLIDE (RIGHT)
15	67006373	DIVIDER, UPPER BIN

MFI2568AES12 UNIT





MFI2568AES12 UNIT

1	67006433	SCREW
2	W10156818	BLADE, FAN
3	67005889	BASEPAN
4	67006425	SCREW
5	67004954	SCREW (3)
6	67006737	SCREW, CLIP
7	W10119239	HARNESS, EVAP HEATER
8	67007175	PAN, DRAIN
9	61004743	GROMMET (3)
10	W10162932	HEATER, DEFROST
11	67005562	CAPACITOR
12	67005560	RELAY ASSY. (INCL. CAPACITOR)
13	61003210	SEAL, CONDENSER SHROUD
14	67006387	THERMOSTAT, DEFROST
15	67005680	GROMMET (7)
16	12820504	PAD-ACOUSTIC
17	67007052	CLIP, CAPACITOR
18	67006131	CONDENSER
19	67005149	ROLLER (2)
20	67002490	TRAY, DRIP
21	67006434	AXLE (2)
22	W10162998	EVAPORATOR
23	W10162951	DAM (RIGHT SIDE)
23	W10162962	DAM (LEFT SIDE)
24	67004432	MOTOR, FAN
25	10428101	CLIP, HEATER
26	13060201	HARNESS, UNIT WITH POWER CORD
27	B2150504	DRIER
28	12002634	COMPRESSOR (INCLUDES ITEMS 11, 12, 17, 27, & 35)
29	67004700	TUBE, DISCHARGE
30	67006573	SCREW
31	67001090	SHROUD
32	67004953	BRACKET, FAN MOTOR

33	67006432	SCREW (3)
34	10547003	CLIP, DRIER
35	67003493	GROMMET (4)
36	10623002	CLIP, EVAPORATOR
NI	1117510	TORX KEY
NI	20000008	CLEANER, STAINLESS STEEL
NI	212643	SEALER, GUM (4 FEET)
NI	350930	ENAMEL, WHITE (13 OZ. SPRAY CAN)
NI	350939	ENAMEL, BLACK (13 OZ. SPRAY CAN)
NI	350942	PRIMER, WHITE (13 OZ. SPRAY CAN)
NI	479502	TAPE, VINYL 3/4" X 108"
NI	503695	CORK, SEALER (1/4 POUND)
NI	505587	SEALER, MASTIC (1 QT.)
NI	542638	GREASE, SILICONE (1/2 OZ.)
NI	542639	CEMENT, ALUMILASTIC (1-1/4 OZ.)
NI	606755	BAG, INSULATION (36-5/8" X 46")
NI	72017	BRUSH TOUCH-UP KIT (WHITE)
NI	72032	BRUSH TOUCH-UP KIT (BLACK)
NI	799340	ENAMEL, BLACK (1 QT. UNCUT)
NI	799344	ENAMEL, WHITE (1 QT. UNCUT)
NI	833938	KIT, TERMINAL CONNECTOR
NI	876029	KIT, FOAM SLAB(30" X 32-1/2" X 1-1/2")
NI	876305	KIT, INSULATION (14 PCS. X 3" X 24" X 48")
NI	876370	KIT, INSULATION (2 PCS. X 3" X 24" X 48")
NI	876764	VALVE, ACCESS (3/16")
NI	978025	VALVE, ACCESS (1/4")
NI	978026	VALVE, ACCESS (5/16")
NI	978027	VALVE, ACCESS (3/8")
NI	978028	VALVE, ACCESS (1/2")
NI	978029	VALVE, ACCESS (5/8")
NI	978030	VALVE, ACCESS (3/4")
NI	978941	INSULATION, FIBERGLASS(63-1/2" X 35-1/2" X 2-5/8")