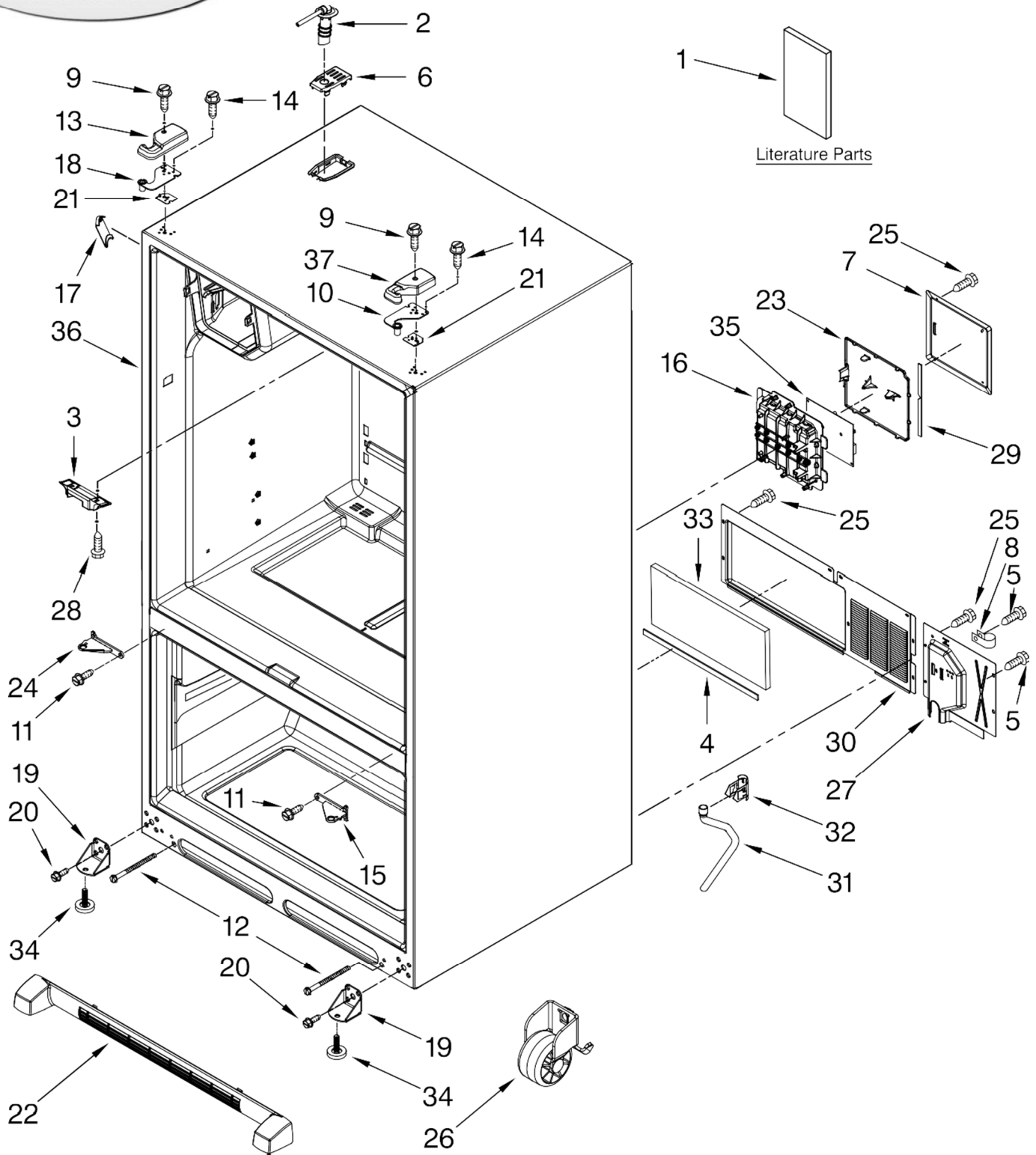


REFRIGERADOR MFI2569VE



FOR ORDERING INFORMATION REFER TO PARTS PRICE LIST

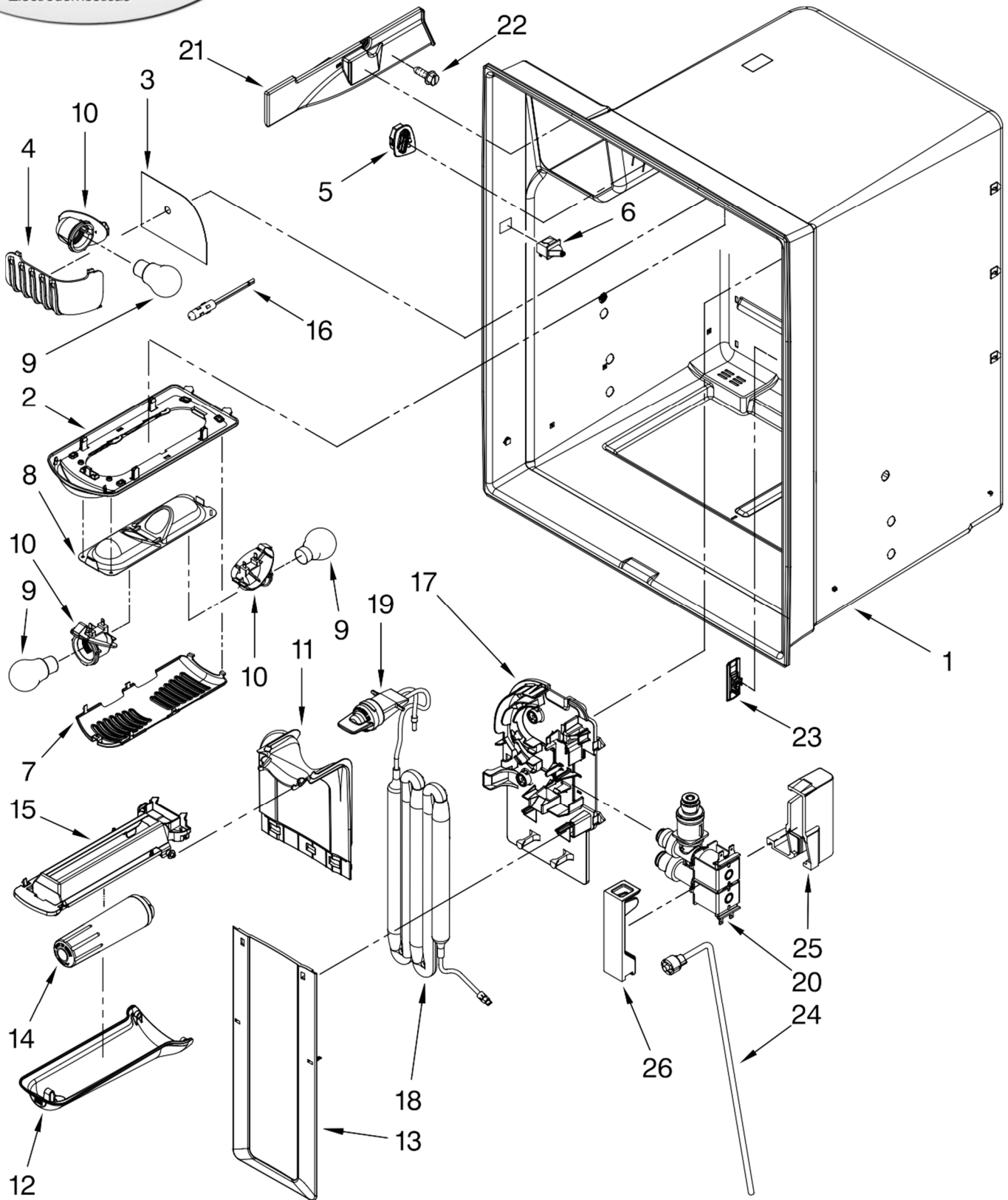
REFRIGERADOR MFI2569VE

Illus. No.	Part No.	DESCRIPTION
1		Literature Parts
	W10189628	Tech Sheet
	W10200530	Use & Care Guide
	W10185602	Tag, Energy
	16026312	Service Manual
2	67006317	Tube W/Waterline, Fill-IM
3	67003405	Block, Pivot
4	B5759649	Gasket, MC Back
5	67006425	Screw (3)
6		Cover, Fill Tube
	67006320	Black
	67006321	White
	W10191141	Apollo Grey
7	67006427	Cover, Control Box
8	M0108105	Clamp, Tube
9	67006521	Screw, Hinge Cover
10	67005955	Hinge, Top Right
11	67006380	Screw, Center Hinge
12	67006611	Bolt, Roller Adj.
13		Cover, Top Hinge (Left)
	67005951	Black
	67005952	Bisque
	67005953	White
	W10191116	Apollo Grey

Illus. No.	Part No.	DESCRIPTION
14	67006303	Screw, Top Hinge
15		Hinge, Center (RT)
	67006379	White
	67006443	Black
	W10191143	Apollo Grey
16	67006390	Box, HV Control
17		Cover, Corner (2)
	67003484	White
	67003485	Black
	67003486	Bisque
	W10191102	Apollo Grey
18	67005950	Hinge, Top Left
19	67007174	Bracket, Foot Cabinet (2)
20	67006564	Screw (8)
21		Shim, Top Hinge
	67006308	Left
	67006309	Right
22		Grille, Toe
	67006375	Black
	67006376	Bisque
	67006377	White
	W10191107	Apollo Grey
23	67006428	Lid, HV Control

Illus. No.	Part No.	DESCRIPTION
24		Hinge, Center (LT)
	67006277	White
	67006442	Black
	W10191142	Apollo Grey
25	12990702	Screw, Cover
26	67006118	Roller Assy. (2)
27	67006426	Cover, Water Valve
28	67006626	Screw, Block
29	67006429	Gasket, HV Control
30	12575101ED	Cover, MC Back
31	W10164397	Tube, Drain
32	W10157973	Clip, Drain Tube
33	67003796	Fiber, Acoustic
34	67003868	Brake, Foot
35	W10191108	Board, HV Control
36		Cabinet (Not a Servicable Part)
37		Cover, Top Hinge (Right)
	67005956	Black
	67005957	Bisque
	67005958	White
	W10191117	Apollo Grey

REFRIGERADOR MF12569VE



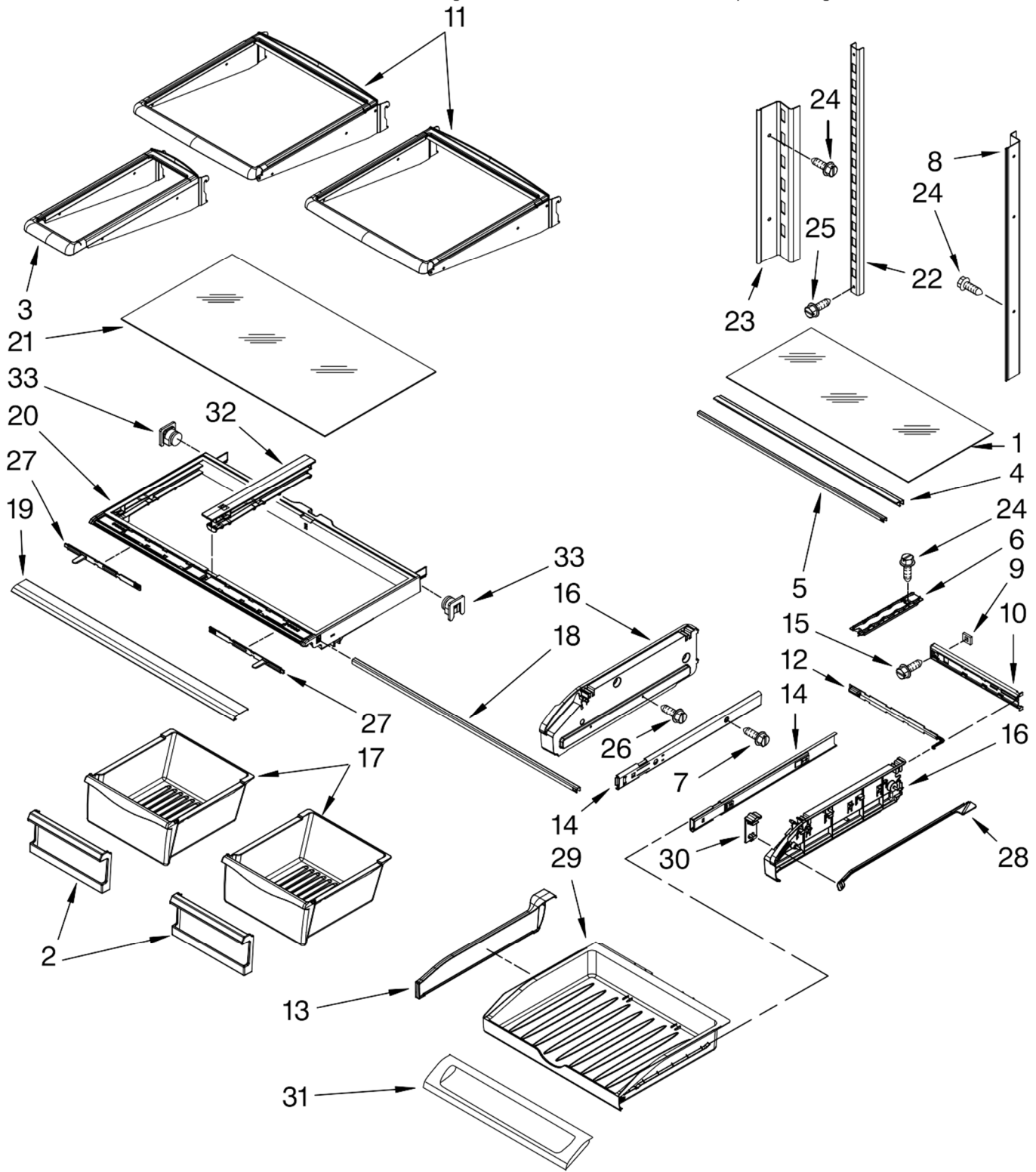
FOR ORDERING INFORMATION REFER TO PARTS PRICE LIST

REFRIGERADOR MFI2569VE

Illus. No.	Part No.	DESCRIPTION
1		Liner (Not A Serviceable Part)
2	67006328	Module, Light
3	67006326	Foil, Light
4	67006327	Cover, Light
5	67006316	Grille, Air
6	12466103	Switch, Light (2)
7	67006318	Cover, Light
8	67003901	Housing, Light
9	A0282812	Bulb, Light
10	Y12570701	Socket, Light
11	67006330	Cover, Water Tank (Upper)
12	67006331	Lid, Water Filter
13	67006329	Cover, Water Tank (Lower)
14	UKF8001AXX	Filter, Water
15	67006325	Bracket, Filter Base
16	12002355	Thermistor
17	67006324	Bracket, Water Tank & Valve
18	12956202	Water Tank & Head Assembly
19	12664501	Plug, Bypass
20	67006322	Valve, Water Inlet
21	67006350	Cover, Ice Box Harness
22	M0238642	Screw
23	67006319	Cover, Chiller Vent
24	12962204	Waterline, Cabinet (W/Nut)
25	W10118193	Enclosure, Water Valve Connector
26	W10118194	Lid, Enclosure

REFRIGERADOR MFI2569VE

Model(s) number shown may be different than what is printed on the model, serial tag of your product. The number(s) shown combine the model number and the first two digits of the serial number from the product tag.



FOR ORDERING INFORMATION REFER TO PARTS PRICE LIST

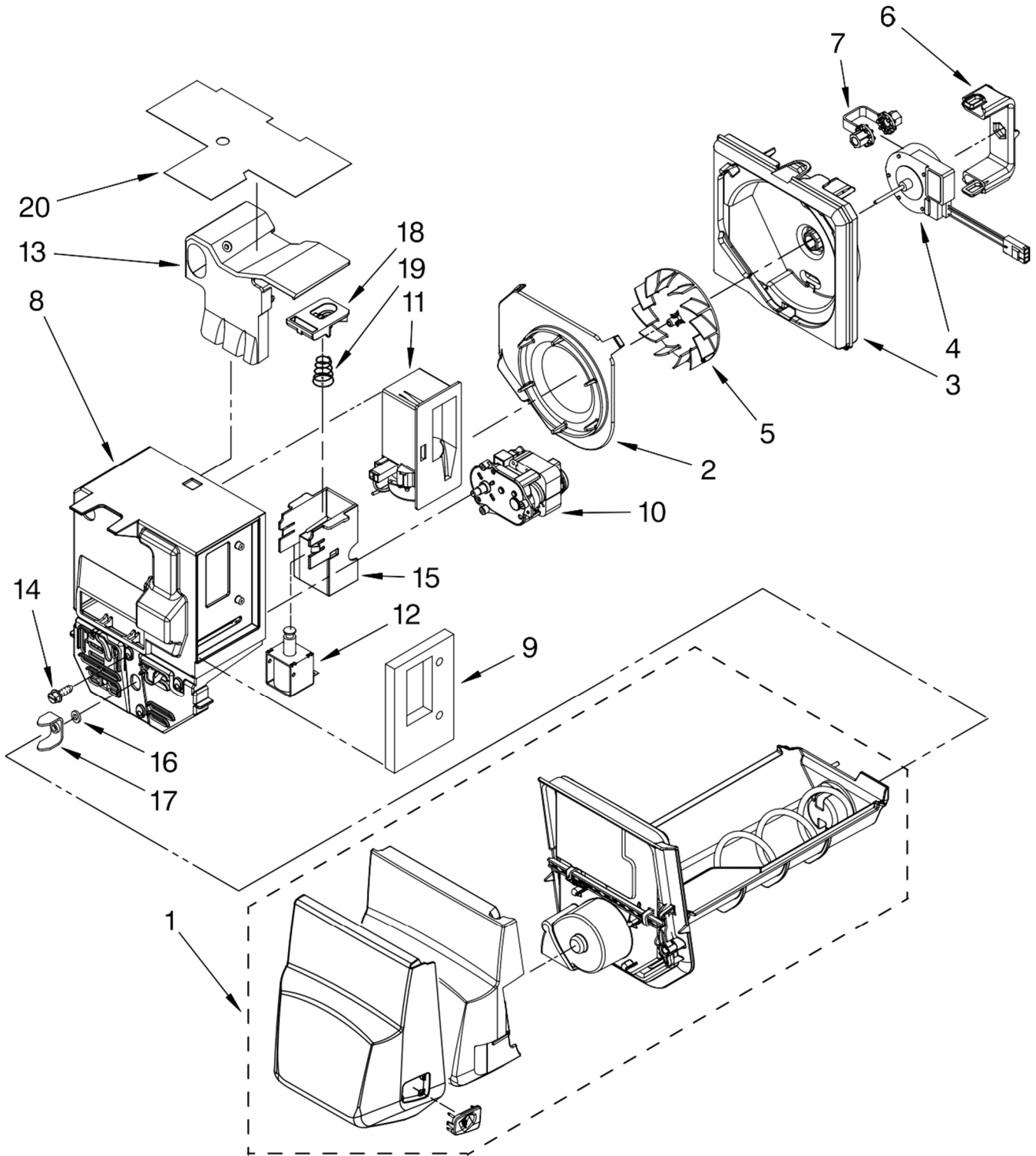
REFRIGERADOR MFI2569VE

Illus. No.	Part No.	DESCRIPTION
1	67002761	Glass, Pantry
2	67005923	Front, Crisper Pan (2)
3	W10187852	Shelf, Mini (Stationary)
4	67006010	Extr, Glass Support (2)
5	67002330	Brace, Pantry (2)
6	67001719	Track, Pantry
7	67006287	Screw
8	W10165909	Ladder, Side
9	67002329	Gasket, Pantry
10	67005625	Housing, Control
11	67006351	Shelf, Glide (2)
12	67003793	Slide, Temperature
13	67002759	Divider, Pantry Drawer

Illus. No.	Part No.	DESCRIPTION
14	67007026	Glide, Drawer (2)
15	67006400	Screw
16		Endcap, Pantry
	67005863	Left
	67005858	Right
17	67004515	Pan, Crisper (2)
18	67002748	Brace, Crisper Cover
19	67004510	Trim, Crisper
20	67003854	Frame, Crisper
21	67006704	Glass, Crisper Cover
22	67006358	Ladder, Center
23	67006354	Ladder, Side
24	67006400	Screw
25	67006360	Screw (2)

Illus. No.	Part No.	DESCRIPTION
26	67006415	Screw
27	67005864	Slide, Humidity Control
28	67003795	Rod, Temperature Control
29	67003531	Drawer, Pantry
30	67003791	Knob, Temperature Control
31	67005903	Door, Pantry Drawer
32	67004514	Rail, Center Crisper Frame
33	12603701	Supports, Crisper Frame

REFRIGERADOR MFI2569VE



FOR ORDERING INFORMATION REFER TO PARTS PRICE LIST

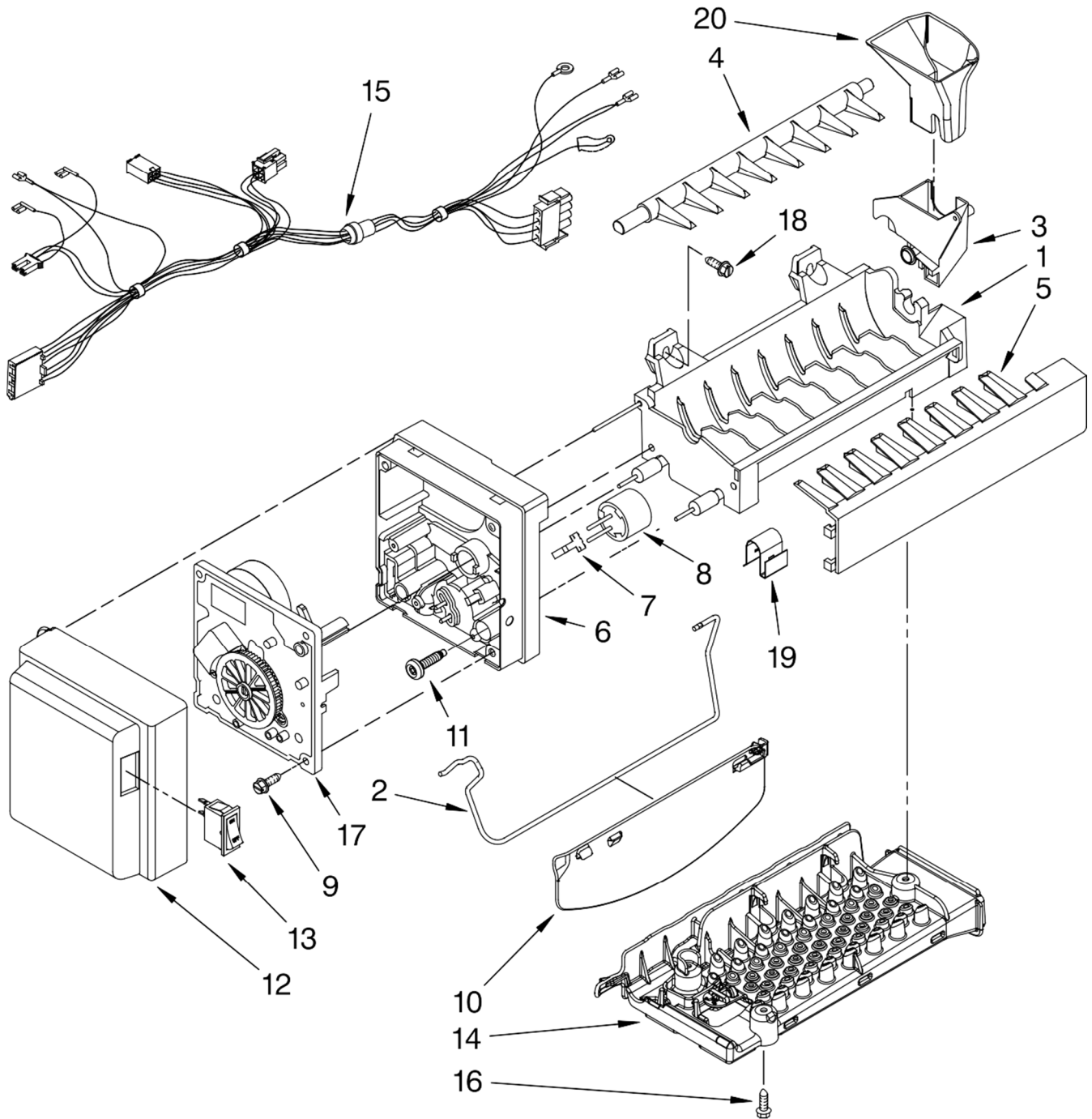


REFRIGERADOR MFI2569VE

Illus. No.	Part No.	DESCRIPTION
1	67006349	Ice Bin Assembly (Includes Auger)
2	W10121282	Inlet, Blower
3	W10121281	Scroll, Blower
4	W10162697	Motor, Fan
5	W10123444	Wheel, Blower
6	W10165970	Clip, Fan Motor
7	W10151687	Grommet, Fan Motor
8	W10187860	Divider, Ice Box
9	67006341	Gasket, Damper
10	67006342	Motor, Auger
11	W10127427	Damper, Control
12	67006344	Solenoid
13	W10118612	Liner, Divider
14	67006425	Screw (3)
15	67007111	Bracket, Solenoid
16	67006346	Washer
17	63052-1	Yoke, Ice Dispenser
18	67006347	Yoke, Solenoid
19	67006348	Spring, Solenoid
20	W10142628	Foil, Ice Box

REFRIGERADOR MFI2569VE

Model(s) number shown may be different than what is printed on the product, serial tag of your product. The number(s) shown combine the model number and the first two digits of the serial number from the product tag.



FOR ORDERING INFORMATION REFER TO PARTS PRICE LIST



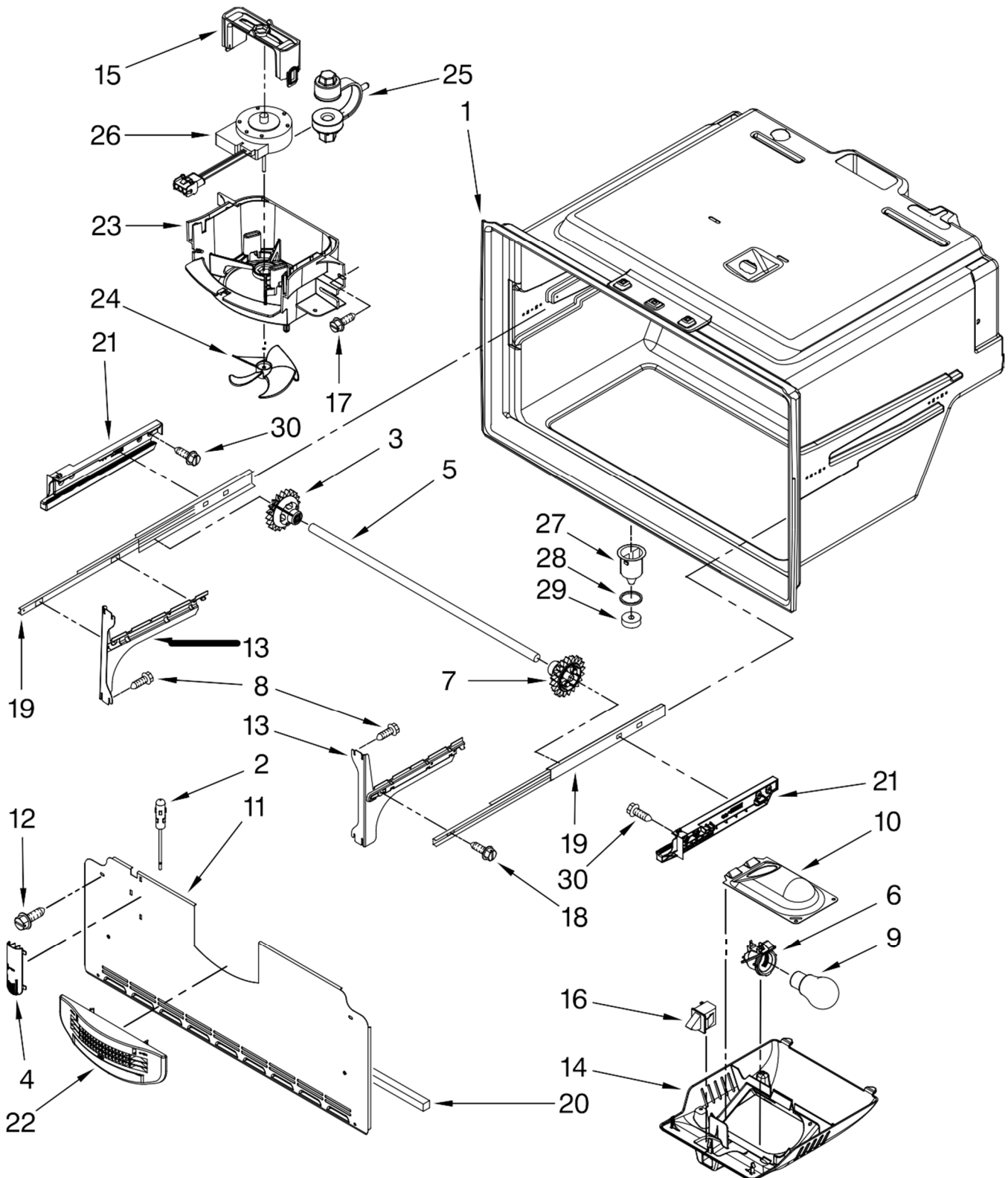
REFRIGERADOR MFI2569VE

Illus. No.	Part No.	DESCRIPTION
1	W10122527	Mold & Heater Assembly (Also Order 542638 Grease)
2	W10175514	Arm, Shutoff
3	628515	Cup, Fill
4	627843	Ejector
5	2182124	Ice Stripper
6	2194712	Support, Housing
7	2315522	Retainer, Thermostat
8	627985	Thermostat (Also Order 542369 Cement)
9	489464	Screw (3)
10	W10121440	Extension, Shutoff Arm
11	8533917	Screw (2)
12	W10121444	Cover
13	2313326	Switch, On-Off
14	W10121269	Impinger Assy.
15	W10117860	Harness, Icemaker
16	67006425	Screw, Impinger
17	626678	Module Assembly
18	489276	Screw (3)
19	628379	Clip
20	W10121434	Insert, Fill Cup
100	W10122533	Icemaker Assembly

Following Parts Not Illustrated

10244904 Coupling

REFRIGERADOR MFI2569VE



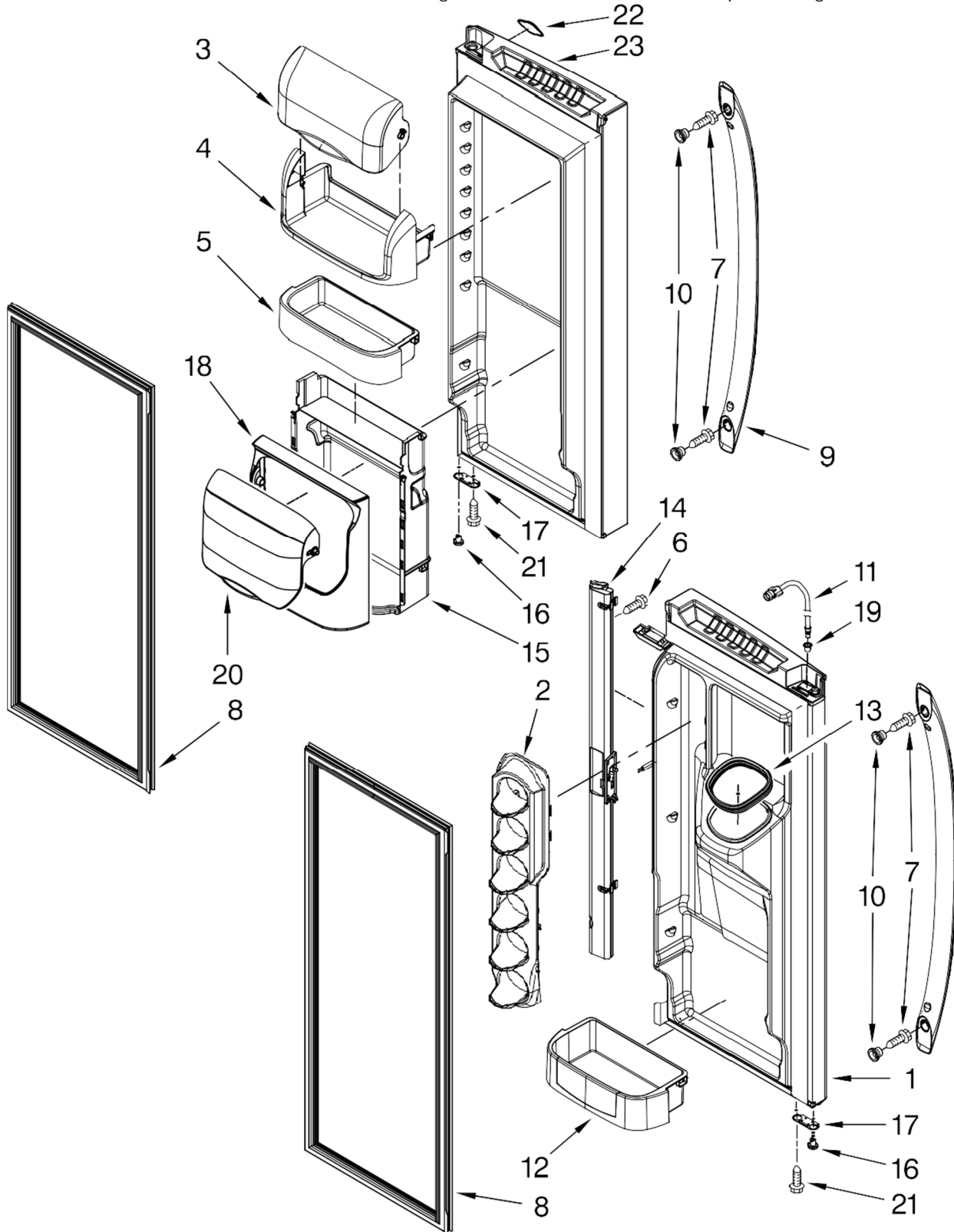
FOR ORDERING INFORMATION REFER TO PARTS PRICE LIST

REFRIGERADOR MFI2569VE

Illus. No.	Part No.	DESCRIPTION
1		Liner (Not A Serviceable Part)
2	12002355	Thermistor Kit
3	12002497	Gear (Left) (Incl. #7)
4	67003924	Cover, Thermistor
5	67004017	Shaft, Rack
6	Y12570701	Socket, Light
7	12002497	Gear, (Right) (Incl. #3)
8	67006473	Screw, Bracket (6)
9	A0282812	Bulb, Light
10	67001035	Housing, Light
11	67006383	Cover, Evap
12	67006425	Screw
13		Bracket, Door Slide
	W10122147	Left
	W10122148	Right
14	67006423	Module, Freezer Light
15	67006338	Clip, Fan Motor
16	67006422	Switch, Rocker
17	67006287	Screw, Fan Shroud
18	67006769	Screw, Slide To Basket
19	W10120018	Slide, Drawer (2)
20	67003731	Gasket, Foam
21		Adapter
	W10120017	Left
	W10120083	Right
22	67006382	Grille, Air
23	67006424	Shroud, Evap Fan
24	67006337	Blade, Fan (Evaporator)
25	67006339	Grommet, Fan Motor (2)
26	W10162809	Motor, Evaporator Fan
27	D7753903	Funnel, Drain
28	M0500703	Seal, O Ring
29	B8381501	Gasket, Drain Tube
30	67006406	Screw Adapter

REFRIGERADOR MFI2569VE

Model(s) number shown may be different than what is printed on the serial tag of your product. The number(s) shown combine the model number and the first two digits of the serial number from the product tag.



FOR ORDERING INFORMATION REFER TO PARTS PRICE LIST

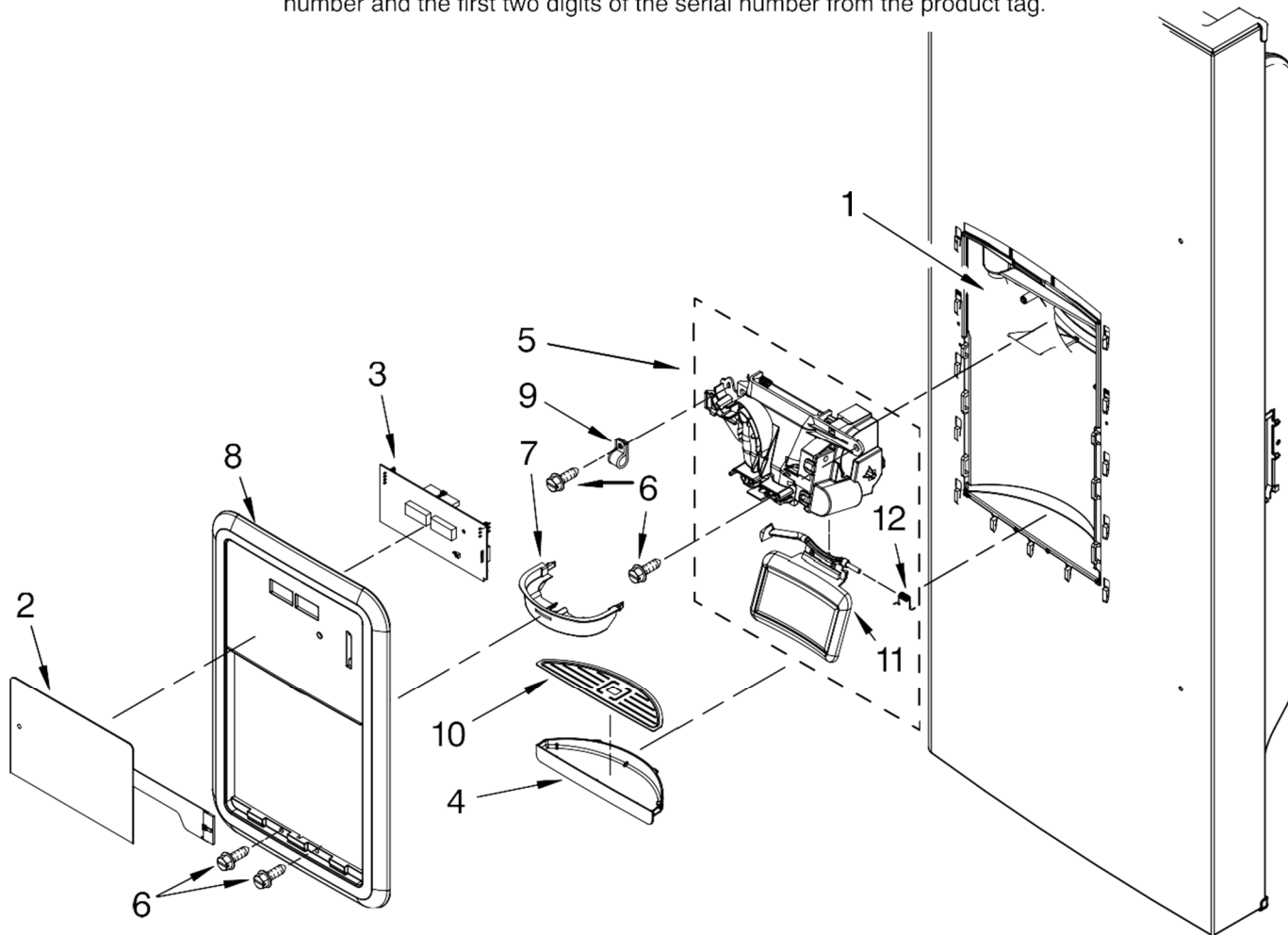
REFRIGERADOR MFI2569VE

Model(s) number shown may be different than what is printed on the serial tag of your product. The number(s) shown combine the model number and the first two digits of the serial number from the product tag.

Illus. No.	Part No.	DESCRIPTION	Illus. No.	Part No.	DESCRIPTION	Illus. No.	Part No.	DESCRIPTION
1		Door, Left	10	67006113	Mount, Handle	17		Stop, Door
	W10174213	White	11	12962106	Waterline, Door		12968202W	White
	W10173928	Black	12	W10187434	Bin, Shelf		67007011	Black
	W10174149	Bisque			(Gallon)		12968202Q	Bisque
	W10191138	Stainless	13	67007108	Seal, Ice Chute		W10191119	Apollo Grey
	W10191136	Satina	14		Mullion, Door	18	67006314	Frame, Chiller
2	67006311	Dispenser, Can		W10164404	White			(Front)
3	67003637	Door, Dairy		W10164405	Black	19	67005954	Clip, Bushing Wire
4	67001279	Tray, Dairy		W10164406	Bisque			(Left Door)
5	67006313	Bin, Shelf		W10191104	Apollo Grey	20	67006312	Door, Chiller
		(Chiller Top)	15	67006315	Frame, Chiller	21	67006473	Screw
6	67006786	Screw			(Rear)	22	67006439	Nameplate
7	67002935	Screw, Handle	16		Closure, Door	23		Door, Right
8		Gasket, Door		67003638	White		W10160132	White
	W10165979	White		67003639	Black		W10160123	Black
	W10165978	Black		W10191100	Apollo Grey		W10160126	Bisque
	W10191105	Apollo Grey					W10191134	Stainless
9		Handle, Door					W10191132	Satina
	67006114	White						
	67006115	Black						
	67006982	Bisque						
	W10136871	Stainless						
	W10191144	Antique Pewter						

REFRIGERADOR MFI2569VE

Model(s) number shown may be different than what is printed on the serial tag of your product. The number(s) shown combine the model number and the first two digits of the serial number from the product tag.



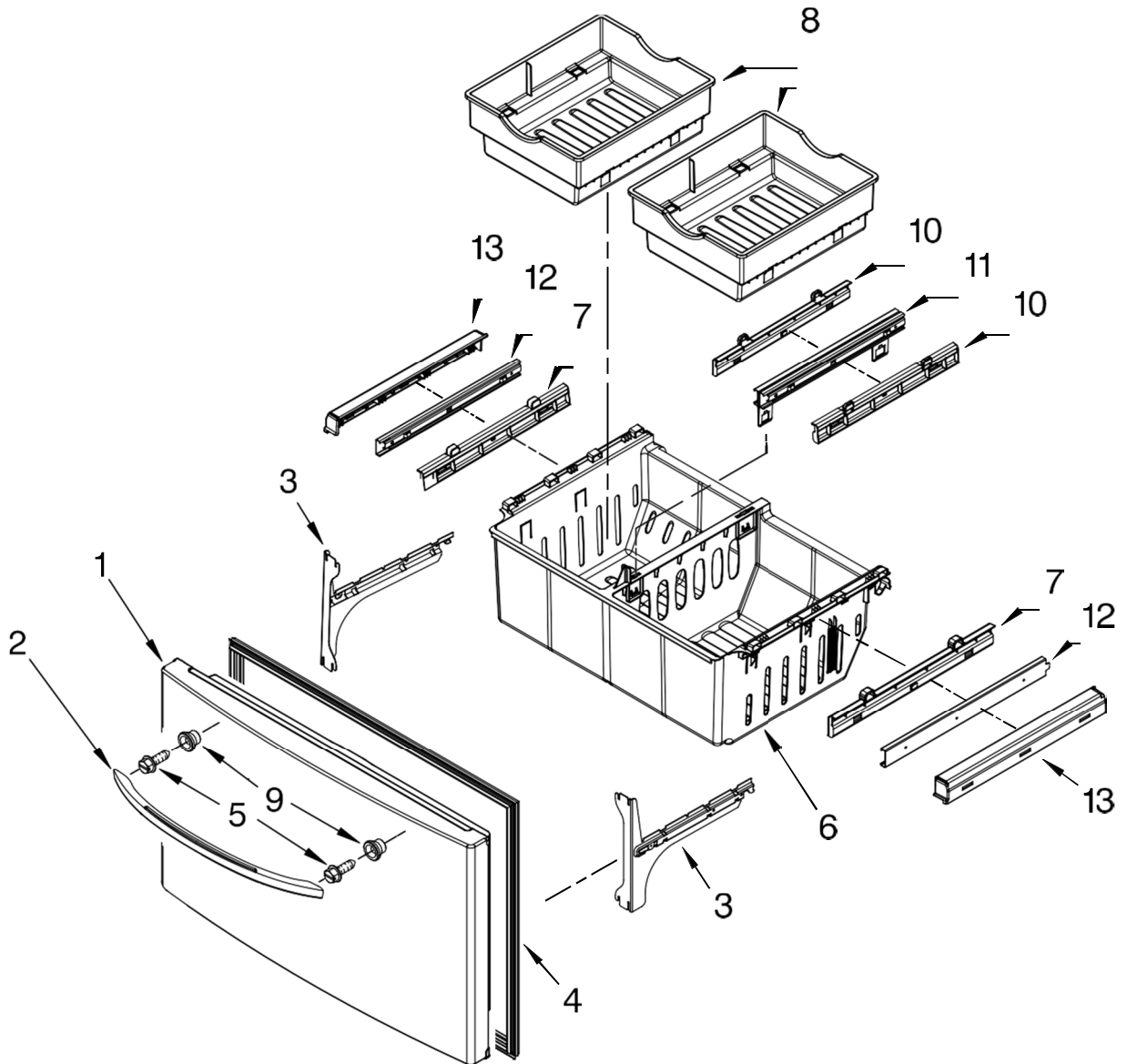
Illus. No.	Part No.	DESCRIPTION
1		Housing, Dispenser (Not Serviced)
2		Dispenser Keyboard
	W10159999	White
	W10164469	Black
	W10164468	Bisque
	W10164470	Satina
	W10164471	Stainless
3	67006294	Board, L.V.
4		Sump, Dispenser
	W10142274	White
	W10164979	Black
	W10164981	Bisque
	W10164980	Apollo Grey (Light)
	W10185235	Midnight Grey (Dark)

Illus. No.	Part No.	DESCRIPTION
5		Chute, Ext/Yoke (Includes Switch)
	W10191155	White
	W10191151	Black
	W10191153	Bisque
	W10191149	Apollo Grey (Light)
	W10192824	Midnight Grey (Dark)
6	67006400	Screw
7	67006295	Ring, Target
8		Facade, Dispenser
	W10142272	White
	W10164982	Black
	W10164983	Bisque
	W10142273	Apollo Grey W/Stainless Insert
	W10172895	Apollo Grey W/Satina Insert

Illus. No.	Part No.	DESCRIPTION
9	M0108106	Clamp, Tube
10	W10142275	Grille, Sump
11		Yoke/Pad Assy.
	W10170831	White
	W10170832	Black
	W10170833	Bisque
	W10164977	Apollo Grey (Light)
	W10185233	Midnight Grey (Dark)
12	12565502	Spring

FOR ORDERING INFORMATION REFER TO PARTS PRICE LIST

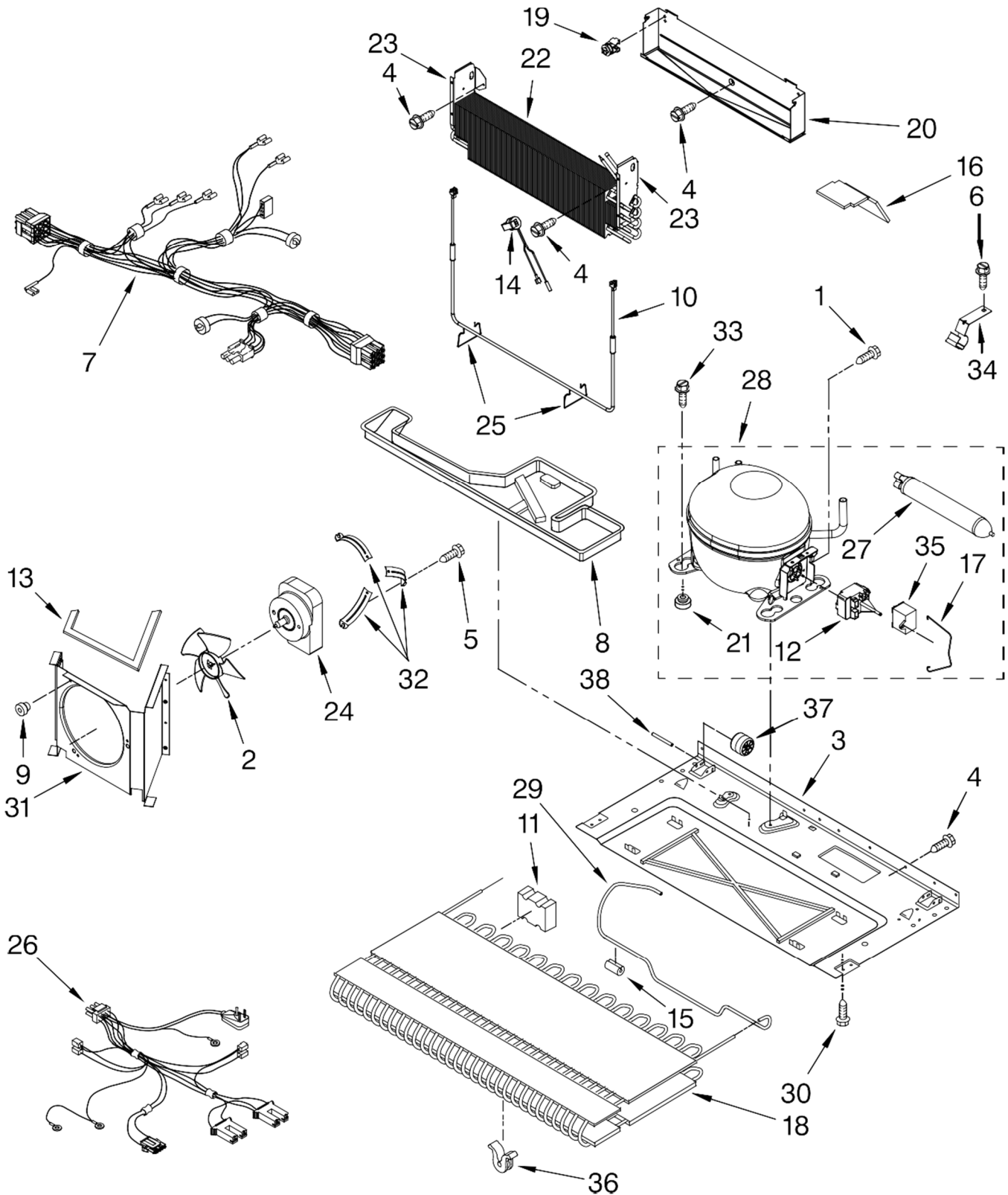
REFRIGERADOR MFI2569VE



Illus. No.	Part No.	DESCRIPTION	Illus. No.	Part No.	DESCRIPTION	Illus. No.	Part No.	DESCRIPTION
1		Freezer Door	3		Bracket, Door Slide	8	W10166237	Bin, Upper
	W10174214	White		W10122147	Left	9	67006113	Mount, Handle
	W10173929	Black		W10122148	Right	10	W10163002	Adapter, Bin (Inner)
	W10174150	Bisque	4		Gasket, Door	11	67006372	Bracket/Glide Assembly
	W10191131	Stainless		W10162897	White	12	67006369	Glide, Upper Retainer, Glide
	W10191120	Satina		W10162895	Black	13	67006368	Right
2		Handle, Door		W10191103	Apollo Grey		67006367	Left
	67007107	White	5	67002935	Screw, Handle			
	67007105	Black	6	67006366	Bin, Lower			
	67007106	Bisque	7	W10166742	Adapter, Bin (Outer)			
	W10138763	Stainless						
	W10191147	Antique Pewter						

FOR ORDERING INFORMATION REFER TO PARTS PRICE LIST

REFRIGERADOR MFI2569VE



FOR ORDERING INFORMATION REFER TO PARTS PRICE LIST

REFRIGERADOR MFI2569VE

Illus. No.	Part No.	DESCRIPTION
1	67006433	Screw
2	W10162928	Blade, Fan
3	67005889	Basepan
4	67006425	Screw
5	67004954	Screw (3)
6	67006737	Screw, Clip
7	W10119239	Harness, Evap Heater
8	67007175	Pan, Drain
9	61004743	Grommet (3)
10	W10162932	Heater, Defrost
11	67005491	Block, Condenser
12	W10128791	Start Device
13	61003210	Seal, Condenser Shroud
14	67006387	Thermostat, Defrost
15	67005680	Grommet (2)
16	12820504	Pad, Acoustic
17	2255199	Clip, Capacitor
18	67006131	Condenser
19	10623002	Clip, Evaporator
20	67002490	Tray, Drip
21	W10169124	Grommet (4)
22	W10184230	Evaporator Dam
23	W10162951	Right Side
	W10162962	Left Side

Illus. No.	Part No.	DESCRIPTION
24	67004432	Motor, Fan
25	10428101	Clip, Heater
26	13060202	Harness, Unit with Power Cord
27	2317845	Drier
28	W10134623	Compressor (Includes Items 12, 17, 21, 27, & 35)
29	W10134293	Tube, Discharge
30	67006573	Screw
31	W10158508	Shroud
32	67004953	Bracket, Fan Motor
33	67006432	Screw (3)
34	10547003	Clip, Drier
35	2264017	Capacitor
36	W10137529	Grommet, Cond. (4)
37	67005149	Roller (2)
38	67006434	Axle (2)

Illus. No.	Part No.	DESCRIPTION
Following Parts Not Illustrated and Optional Parts Not Included		
	978025	Valve, Access (1/4")
	978026	Valve, Access (5/16")
	978027	Valve, Access (3/8")
	978028	Valve, Access (1/2")
	978029	Valve, Access (5/8")
	978030	Valve, Access (3/4")
	876764	Valve, Access (3/16")

REFRIGERANT CHARGE

5.25 Ozs.
(R-134A)

OPTIONAL PARTS (NOT INCLUDED)

For Models: MFI2569VEA10, MFI2569VEB10, MFI2569VEQ10, MFI2569VEM10, MFI2569VEW10
 (Monochromatic Satina) (Black) (Bisque) (Monochromatic Stainless) (White)

The model(s) number shown may be different than what is printed on the model/serial tag of your product. The number(s) shown combine the model number and the first two digits of the serial number from the product tag.

Illus. Part No. No. DESCRIPTION	Illus. Part No. No. DESCRIPTION	Illus. Part No. No. DESCRIPTION
Parts Not Illustrated and Optional Parts (Not Included)	<u>Refinishing Material</u>	<u>Miscellaneous</u>
<p><u>Customer Touch-Up Material</u></p> <p>*350942 Primer, White (13 Oz. Spray Can)</p> <p>*350939 Enamel, Black (13 Oz. Spray Can)</p> <p>*350930 Enamel, White (13 Oz. Spray Can)</p> <p>22002901 Enamel, Bisque (12 OZ. Spray Can)</p> <p>22002900 Enamel, Bisque (.6 OZ. Bottle)</p> <p>72017 Brush Touch-Up Kit (White)</p> <p>72032 Brush Touch-up kit (Black)</p> <p> </p> <p>*Important: The spray paint is not to be used where the paint may make contact with the door gaskets.</p>	<p>799340 Enamel, Black (1 Qt. Uncut)</p> <p>799344 Enamel, White (1 Qt. Uncut)</p>	<p>212643 Sealer, Gum (4 Feet)</p> <p>479502 Tape, Vinyl (3/4 x 108")</p> <p>876370 Kit, Insulation (2 Pcs. x 3" x 24" X 48")</p> <p>876305 Kit, Insulation (14 Pcs. x 3" x 24" x 48")</p> <p>978941 Insulation, Fiberglass (63-1/2" x 35-1/2" X 2-5/8)</p> <p>876029 Kit, Foam Slab (30" x 32-1/2" x 1-1/2")</p> <p>505587 Sealer, Mastic (1 Qt.)</p> <p>503695 Cork, Sealer (1/4 Pound)</p> <p>20000008 Cleaner, Stnls Steel Magic</p> <p>542638 Grease, Silicone (1/2 Oz.)</p> <p>542639 Cement, Alumilastic (1-1/4 Oz.)</p> <p>606755 Bag, Insulation (36-5/8" x 46")</p> <p>833938 Kit, Terminal Connector</p> <p>67006349 Ice Container Assembly</p> <p> </p> <p><u>TORX SCREW WRENCH</u></p> <p>1117510 Torx Key</p>