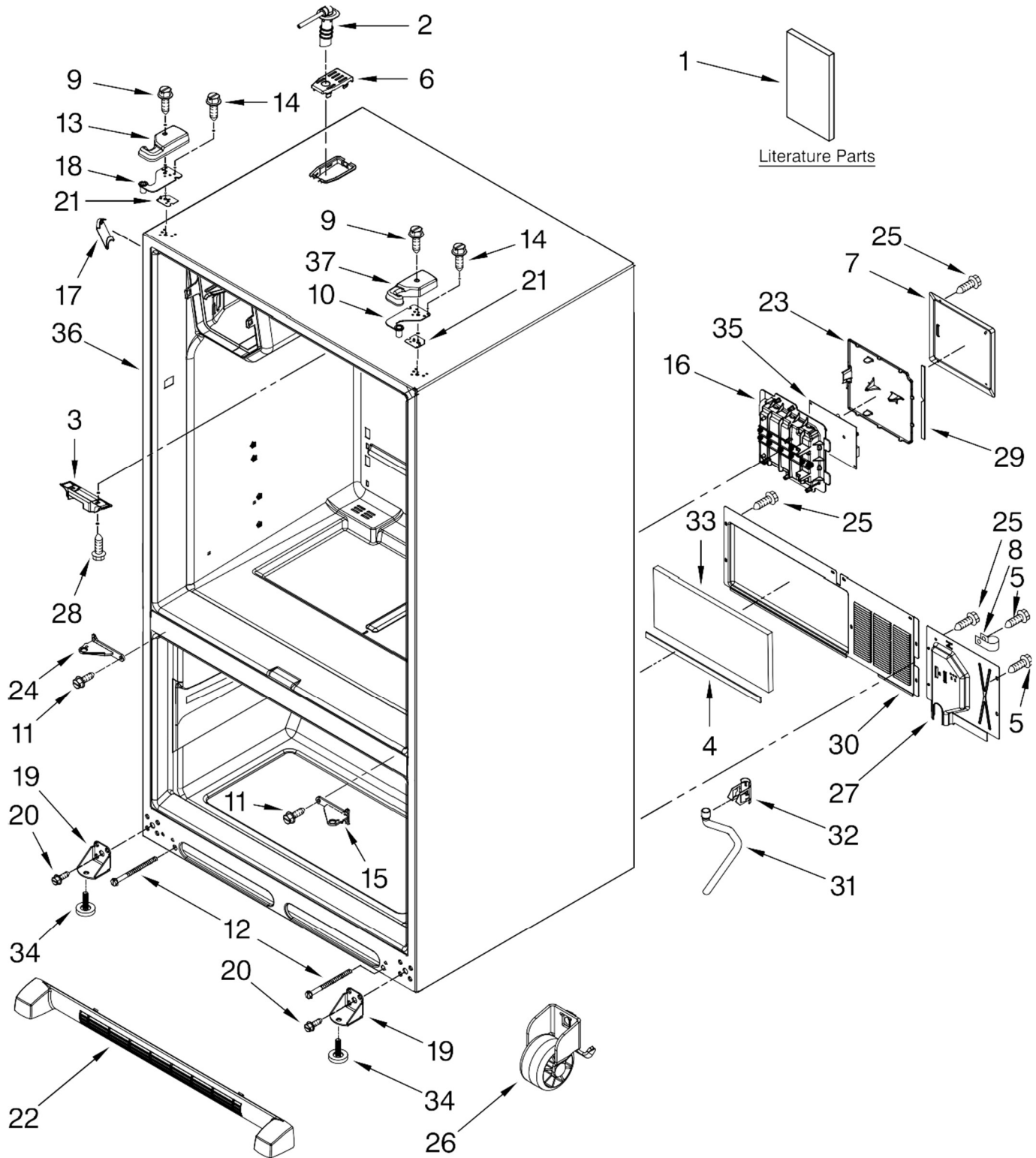


REFRIGERADOR MFI2569VEM

The number(s) shown may be different than what is printed on the serial tag of your product. The number(s) shown combine the model number and the first two digits of the serial number from the product tag.



FOR ORDERING INFORMATION REFER TO PARTS PRICE LIST

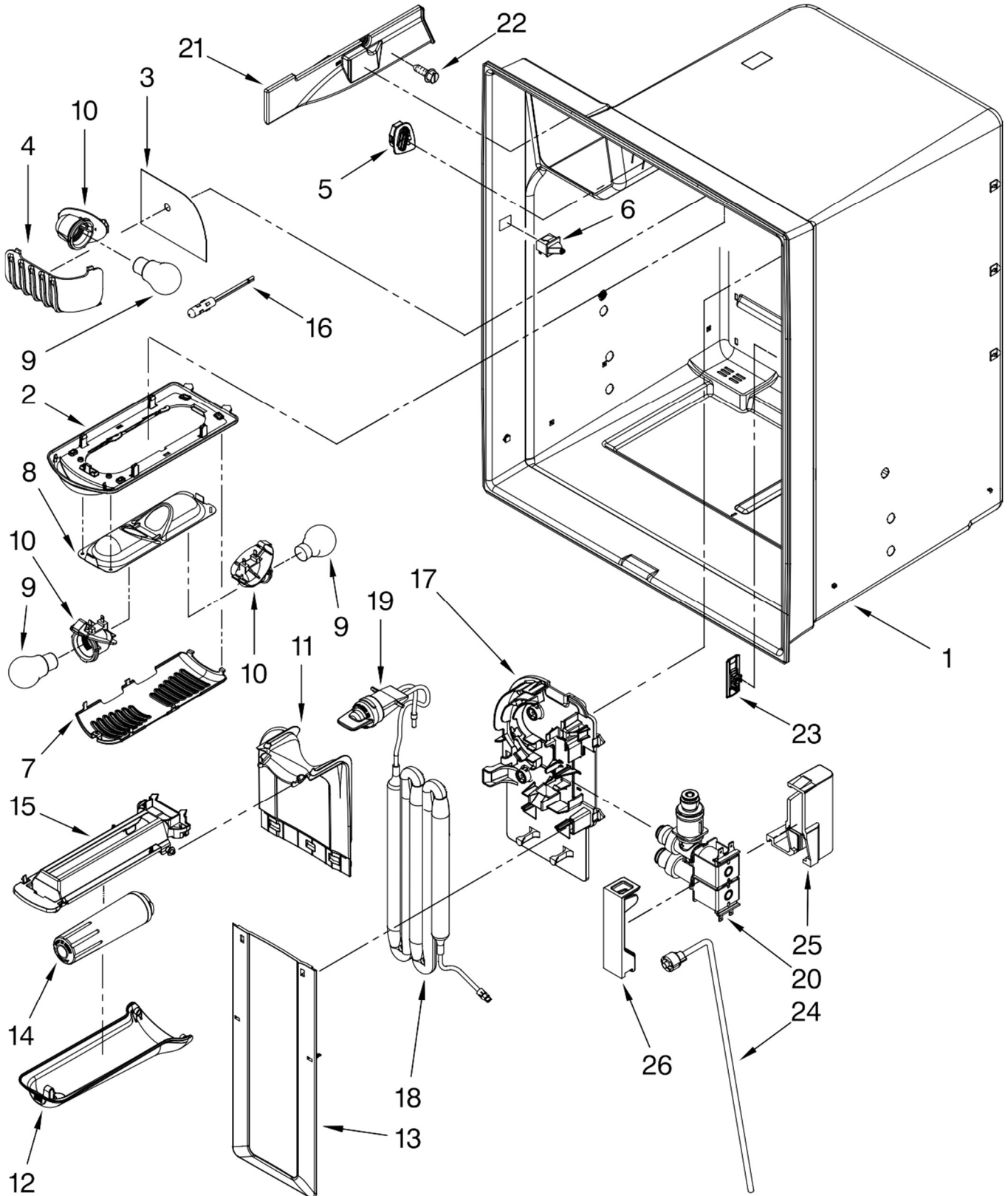
REFRIGERADOR MFI2569VEM

Model(s) number shown may be different than what is printed on the serial tag of your product. The number(s) shown combine the model number and the first two digits of the serial number from the product tag.

Illus. No.	Part No.	DESCRIPTION	Illus. No.	Part No.	DESCRIPTION	Illus. No.	Part No.	DESCRIPTION
1		Literature Parts	14	67006303	Screw, Top Hinge	24		Hinge, Center (LT)
	W10189628	Tech Sheet	15		Hinge, Center (RT)		67006277	White
	W10200530	Use & Care Guide		67006379	White		67006442	Black
	W10185602	Tag, Energy		67006443	Black		W10191142	Apollo Grey
	16026312	Service Manual		W10191143	Apollo Grey	25	12990702	Screw, Cover
2	67006317	Tube W/Waterline, Fill-IM	16	67006390	Box, HV Control	26	67006118	Roller Assy. (2)
3	67003405	Block, Pivot	17		Cover, Corner (2)	27	67006426	Cover, Water Valve
4	B5759649	Gasket, MC Back		67003484	White	28	67006626	Screw, Block
5	67006425	Screw (3)		67003485	Black	29	67006429	Gasket, HV Control
6		Cover, Fill Tube		67003486	Bisque	30	12575101ED	Cover, MC Back
	67006320	Black		W10191102	Apollo Grey	31	W10164397	Tube, Drain
	67006321	White	18	67005950	Hinge, Top Left	32	W10157973	Clip, Drain Tube
	W10191141	Apollo Grey	19	67007174	Bracket, Foot	33	67003796	Fiber, Acoustic
7	67006427	Cover, Control Box			Cabinet (2)	34	67003868	Brake, Foot
8	M0108105	Clamp, Tube	20	67006564	Screw (8)	35	W10191108	Board, HV Control
9	67006521	Screw, Hinge Cover	21		Shim, Top Hinge	36		Cabinet (Not a Servicable Part)
10	67005955	Hinge, Top Right		67006308	Left	37		Cover, Top Hinge (Right)
11	67006380	Screw, Center Hinge		67006309	Right		67005956	Black
12	67006611	Bolt, Roller Adj.			Grille, Toe		67005957	Bisque
13		Cover, Top Hinge (Left)		67006375	Black		67005958	White
	67005951	Black		67006376	Bisque		W10191117	Apollo Grey
	67005952	Bisque		67006377	White			
	67005953	White		W10191107	Apollo Grey			
	W10191116	Apollo Grey	23	67006428	Lid, HV Control			

REFRIGERADOR MFI2569VEM

Model(s) number shown may be different than what is printed on the serial tag of your product. The number(s) shown combine the model number and the first two digits of the serial number from the product tag.



FOR ORDERING INFORMATION REFER TO PARTS PRICE LIST

REFRIGERADOR MFI2569VEM

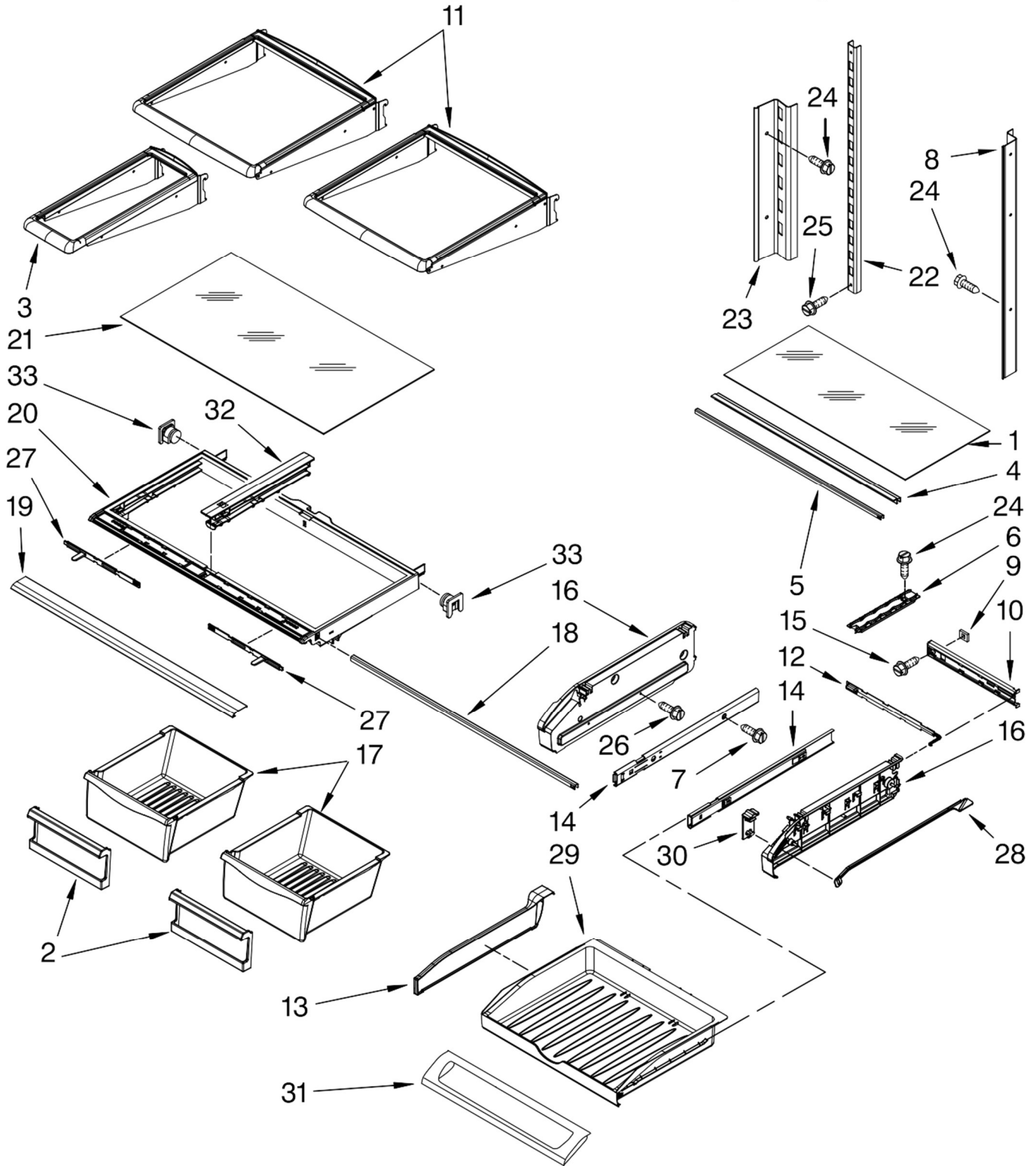
Model(s) number shown may be different than what is printed on the serial tag of your product. The number(s) shown combine the model number and the first two digits of the serial number from the product tag.

Illus. No.	Part No.	DESCRIPTION
1		Liner (Not A Serviceable Part)
2	67006328	Module, Light
3	67006326	Foil, Light
4	67006327	Cover, Light
5	67006316	Grille, Air
6	12466103	Switch, Light (2)
7	67006318	Cover, Light
8	67003901	Housing, Light
9	A0282812	Bulb, Light
10	Y12570701	Socket, Light
11	67006330	Cover, Water Tank (Upper)
12	67006331	Lid, Water Filter
13	67006329	Cover, Water Tank (Lower)
14	UKF8001AXX	Filter, Water
15	67006325	Bracket, Filter Base
16	12002355	Thermistor
17	67006324	Bracket, Water Tank & Valve
18	12956202	Water Tank & Head Assembly
19	12664501	Plug, Bypass
20	67006322	Valve, Water Inlet
21	67006350	Cover, Ice Box Harness
22	M0238642	Screw
23	67006319	Cover, Chiller Vent
24	12962204	Waterline, Cabinet (W/Nut)
25	W10118193	Enclosure, Water Valve Connector
26	W10118194	Lid, Enclosure

BUCKLE PARTS

REFRIGERADOR MFI2569VEM

Model(s) number shown may be different than what is printed on the model/serial tag of your product. The number(s) shown combine the model number and the first two digits of the serial number from the product tag.



FOR ORDERING INFORMATION REFER TO PARTS PRICE LIST

REFRIGERADOR MFI2569VEM

Model(s) number shown may be different than what is printed on the model/serial tag of your product. The number(s) shown combine the model number and the first two digits of the serial number from the product tag.

Illus. No.	Part No.	DESCRIPTION
1	67002761	Glass, Pantry
2	67005923	Front, Crisper Pan (2)
3	W10187852	Shelf, Mini (Stationary)
4	67006010	Extr, Glass Support (2)
5	67002330	Brace, Pantry (2)
6	67001719	Track, Pantry
7	67006287	Screw
8	W10165909	Ladder, Side
9	67002329	Gasket, Pantry
10	67005625	Housing, Control
11	67006351	Shelf, Glide (2)
12	67003793	Slide, Temperature
13	67002759	Divider, Pantry Drawer

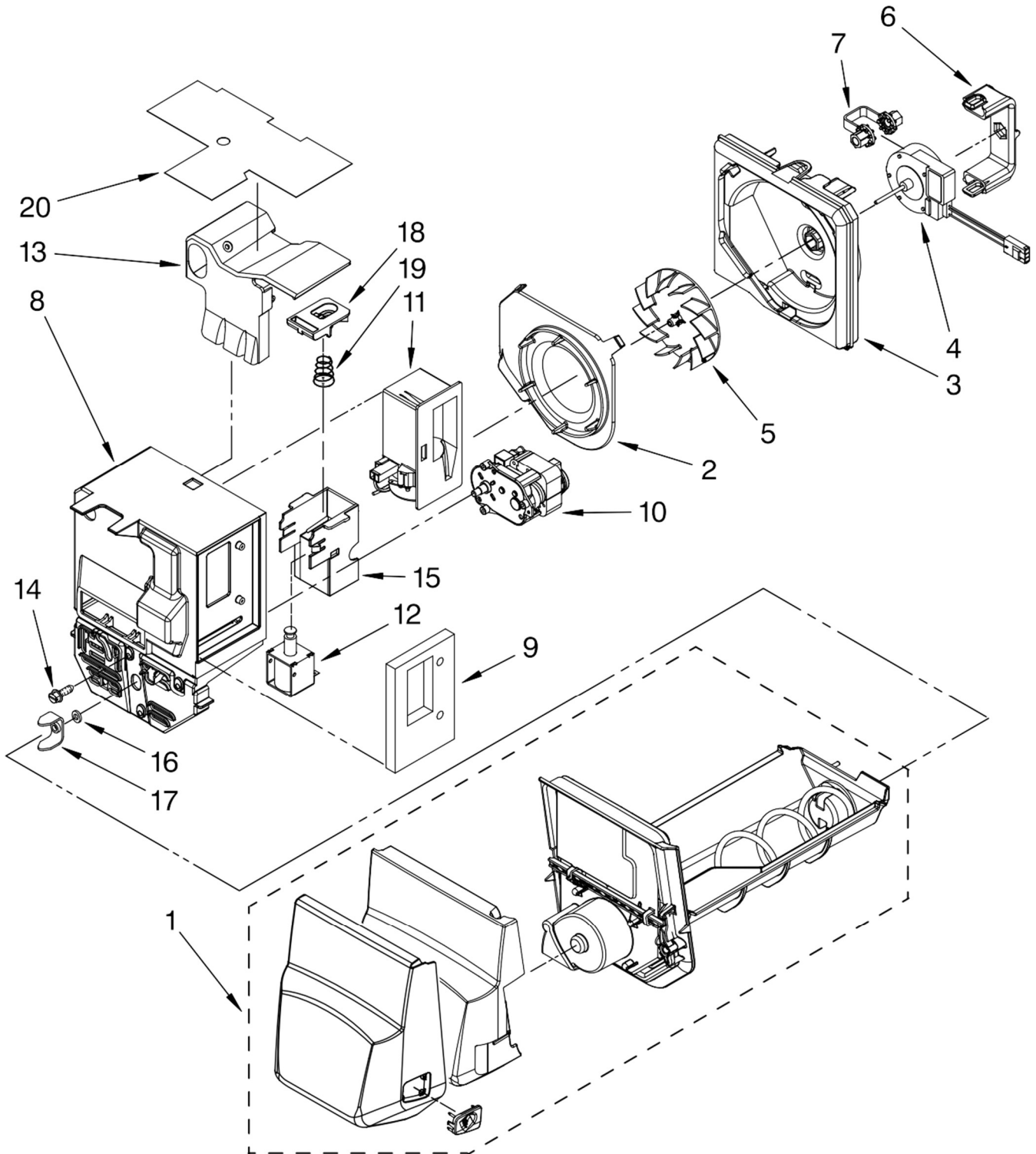
Illus. No.	Part No.	DESCRIPTION
14	67007026	Glide, Drawer (2)
15	67006400	Screw
16	67005863	Endcap, Pantry Left
	67005858	Right
17	67004515	Pan, Crisper (2)
18	67002748	Brace, Crisper Cover
19	67004510	Trim, Crisper
20	67003854	Frame, Crisper
21	67006704	Glass, Crisper Cover
22	67006358	Ladder, Center
23	67006354	Ladder, Side
24	67006400	Screw
25	67006360	Screw (2)

Illus. No.	Part No.	DESCRIPTION
26	67006415	Screw
27	67005864	Slide, Humidity Control
28	67003795	Rod, Temperature Control
29	67003531	Drawer, Pantry
30	67003791	Knob, Temperature Control
31	67005903	Door, Pantry Drawer
32	67004514	Rail, Center Crisper Frame
33	12603701	Supports, Crisper Frame

TOP AND ICE CONTAINER PARTS

REFRIGERADOR MFI2569VEM

Model(s) number shown may be different than what is printed on the serial tag of your product. The number(s) shown combine the model number and the first two digits of the serial number from the product tag.



FOR ORDERING INFORMATION REFER TO PARTS PRICE LIST



TOP AND ICE CONTAINER PARTS

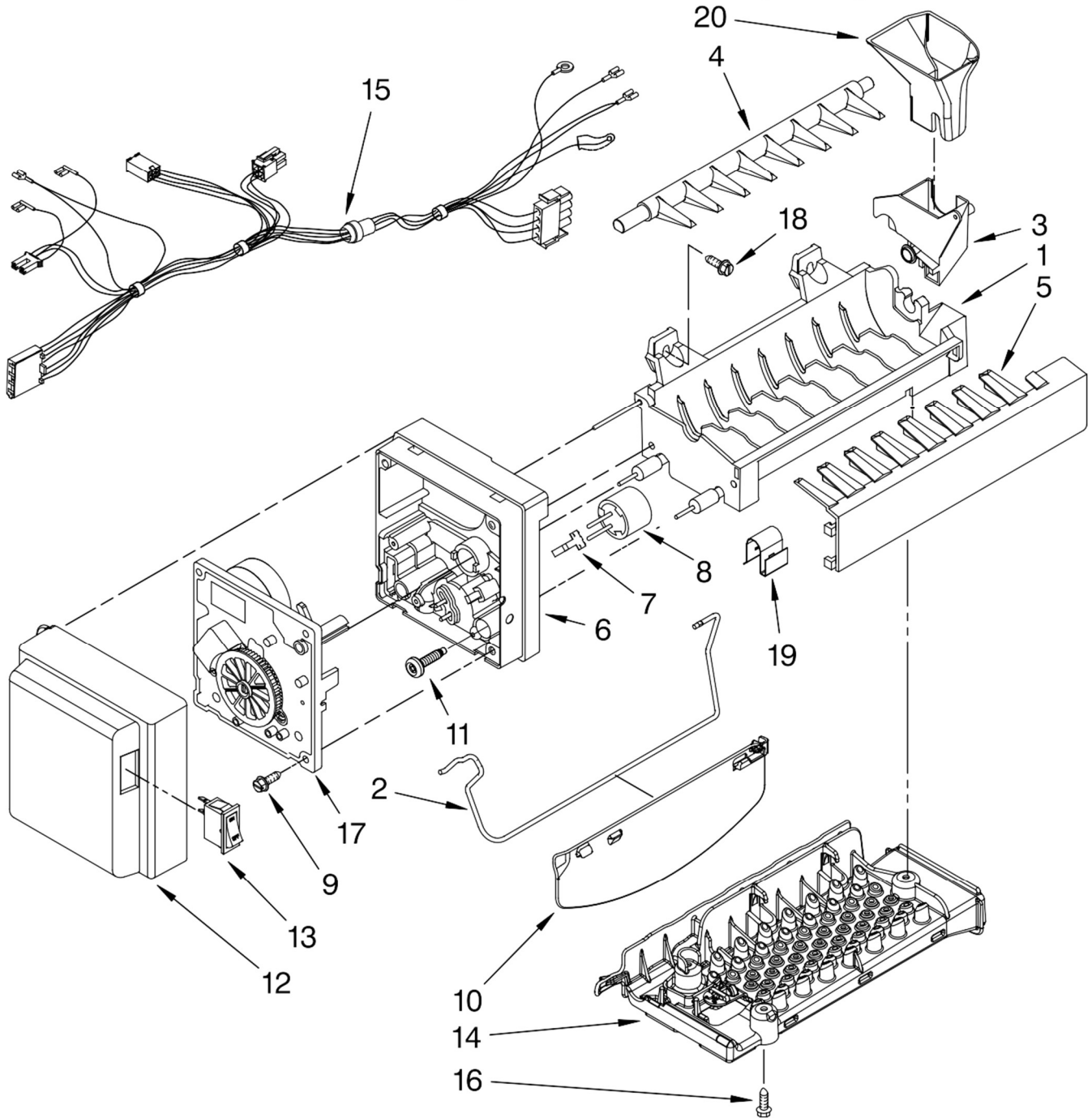
REFRIGERADOR MFI2569VEM

Model(s) number shown may be different than what is printed on the serial tag of your product. The number(s) shown combine the model number and the first two digits of the serial number from the product tag.

Illus. No.	Part No.	DESCRIPTION
1	67006349	Ice Bin Assembly (Includes Auger)
2	W10121282	Inlet, Blower
3	W10121281	Scroll, Blower
4	W10162697	Motor, Fan
5	W10123444	Wheel, Blower
6	W10165970	Clip, Fan Motor
7	W10151687	Grommet, Fan Motor
8	W10187860	Divider, Ice Box
9	67006341	Gasket, Damper
10	67006342	Motor, Auger
11	W10127427	Damper, Control
12	67006344	Solenoid
13	W10118612	Liner, Divider
14	67006425	Screw (3)
15	67007111	Bracket, Solenoid
16	67006346	Washer
17	63052-1	Yoke, Ice Dispenser
18	67006347	Yoke, Solenoid
19	67006348	Spring, Solenoid
20	W10142628	Foil, Ice Box

REFRIGERADOR MFI2569VEM

Model(s) number shown may be different than what is printed on the model, serial tag of your product. The number(s) shown combine the model number and the first two digits of the serial number from the product tag.



FOR ORDERING INFORMATION REFER TO PARTS PRICE LIST

REFRIGERADOR MFI2569VEM

Model(s) number shown may be different than what is printed on the product, serial tag of your product. The number(s) shown combine the model number and the first two digits of the serial number from the product tag.

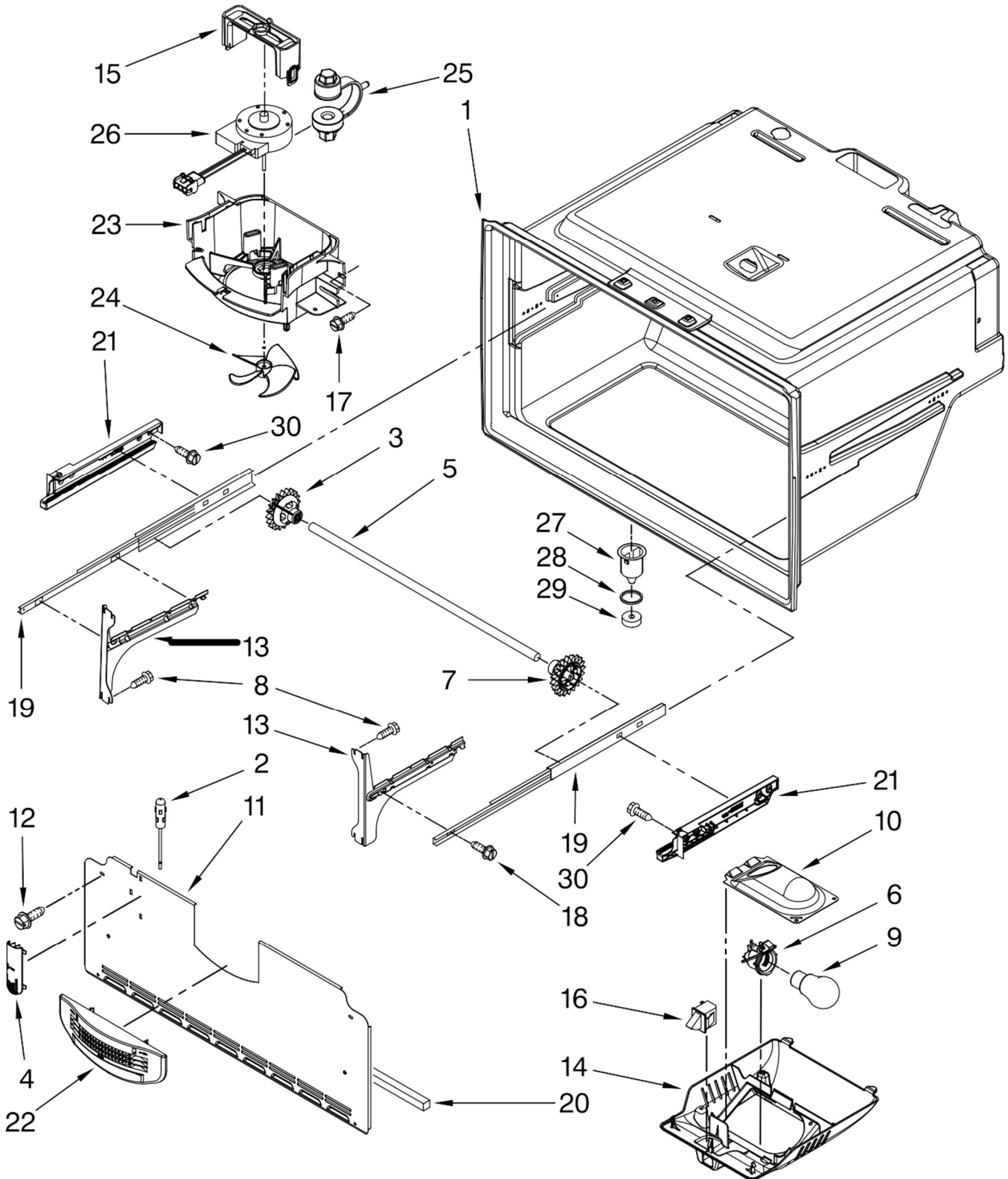
Illus. No.	Part No.	DESCRIPTION
1	W10122527	Mold & Heater Assembly (Also Order 542638 Grease)
2	W10175514	Arm, Shutoff
3	628515	Cup, Fill
4	627843	Ejector
5	2182124	Ice Stripper
6	2194712	Support, Housing
7	2315522	Retainer, Thermostat
8	627985	Thermostat (Also Order 542369 Cement)
9	489464	Screw (3)
10	W10121440	Extension, Shutoff Arm
11	8533917	Screw (2)
12	W10121444	Cover
13	2313326	Switch, On-Off
14	W10121269	Impinger Assy.
15	W10117860	Harness, Icemaker
16	67006425	Screw, Impinger
17	626678	Module Assembly
18	489276	Screw (3)
19	628379	Clip
20	W10121434	Insert, Fill Cup
100	W10122533	Icemaker Assembly

Following Parts Not Illustrated

10244904 Coupling

REFRIGERADOR MFI2569VEM

Model(s) number shown may be different than what is printed on the product, serial tag of your product. The number(s) shown combine the model number and the first two digits of the serial number from the product tag.



FOR ORDERING INFORMATION REFER TO PARTS PRICE LIST

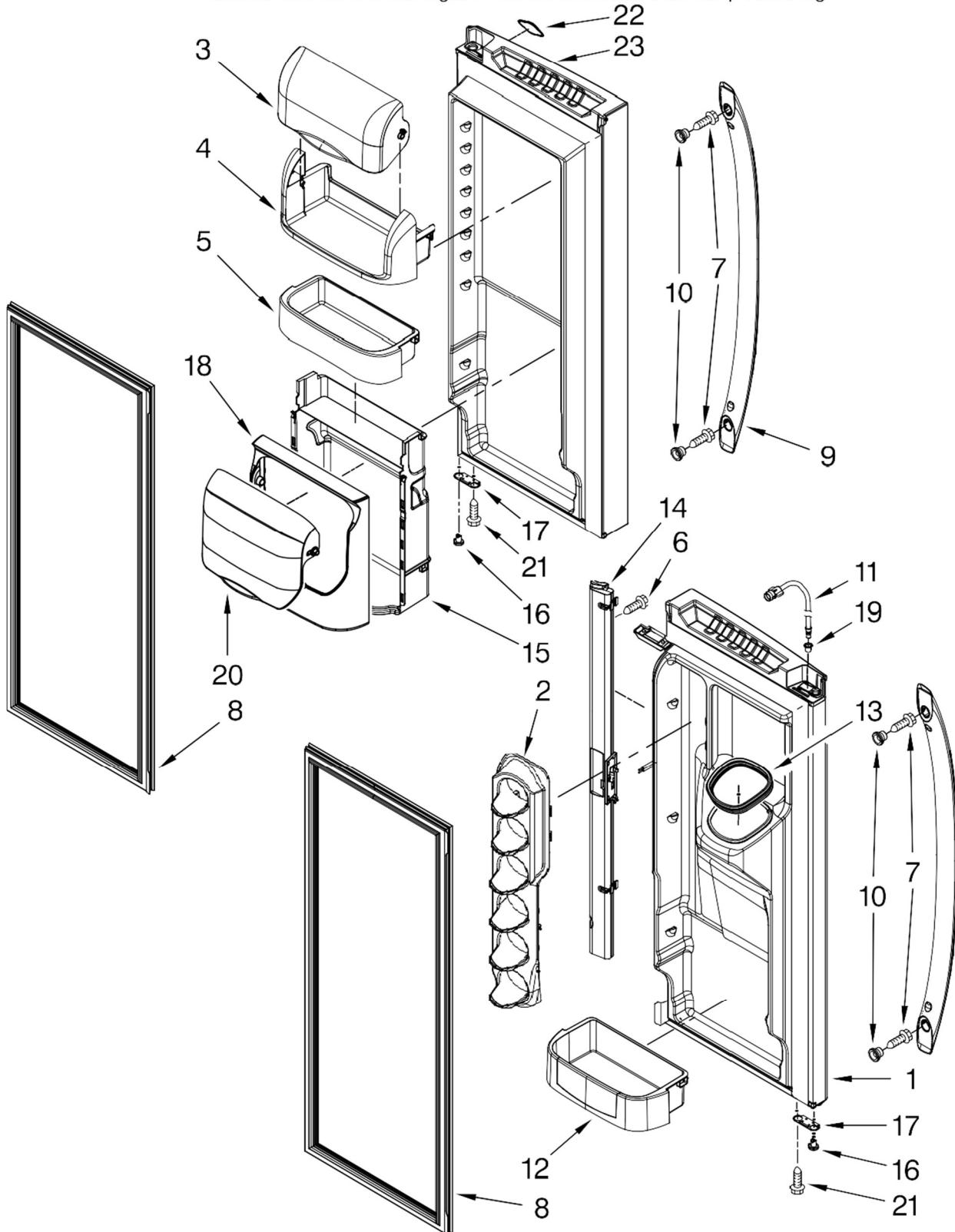
REFRIGERADOR MFI2569VEM

Model(s) number shown may be different than what is printed on the serial tag of your product. The number(s) shown combine the model number and the first two digits of the serial number from the product tag.

Illus. No.	Part No.	DESCRIPTION
1		Liner (Not A Serviceable Part)
2	12002355	Thermistor Kit
3	12002497	Gear (Left) (Incl. #7)
4	67003924	Cover, Thermistor
5	67004017	Shaft, Rack
6	Y12570701	Socket, Light
7	12002497	Gear, (Right) (Incl. #3)
8	67006473	Screw, Bracket (6)
9	A0282812	Bulb, Light
10	67001035	Housing, Light
11	67006383	Cover, Evap
12	67006425	Screw
13		Bracket, Door Slide
	W10122147	Left
	W10122148	Right
14	67006423	Module, Freezer Light
15	67006338	Clip, Fan Motor
16	67006422	Switch, Rocker
17	67006287	Screw, Fan Shroud
18	67006769	Screw, Slide To Basket
19	W10120018	Slide, Drawer (2)
20	67003731	Gasket, Foam
21		Adapter
	W10120017	Left
	W10120083	Right
22	67006382	Grille, Air
23	67006424	Shroud, Evap Fan
24	67006337	Blade, Fan (Evaporator)
25	67006339	Grommet, Fan Motor (2)
26	W10162809	Motor, Evaporator Fan
27	D7753903	Funnel, Drain
28	M0500703	Seal, O Ring
29	B8381501	Gasket, Drain Tube
30	67006406	Screw Adapter

REFRIGERADOR MFI2569VEM

Model(s) number shown may be different than what is printed on the serial tag of your product. The number(s) shown combine the model number and the first two digits of the serial number from the product tag.



FOR ORDERING INFORMATION REFER TO PARTS PRICE LIST

REFRIGERATOR DOOR PARTS

REFRIGERADOR MFI2569VEM

Model(s) number shown may be different than what is printed on the serial tag of your product. The number(s) shown combine the model number and the first two digits of the serial number from the product tag.

Illus. No.	Part No.	DESCRIPTION
1		Door, Left
	W10174213	White
	W10173928	Black
	W10174149	Bisque
	W10191138	Stainless
	W10191136	Satina
2	67006311	Dispenser, Can
3	67003637	Door, Dairy
4	67001279	Tray, Dairy
5	67006313	Bin, Shelf (Chiller Top)
6	67006786	Screw
7	67002935	Screw, Handle
8		Gasket, Door
	W10165979	White
	W10165978	Black
	W10191105	Apollo Grey
9		Handle, Door
	67006114	White
	67006115	Black
	67006982	Bisque
	W10136871	Stainless
	W10191144	Antique Pewter

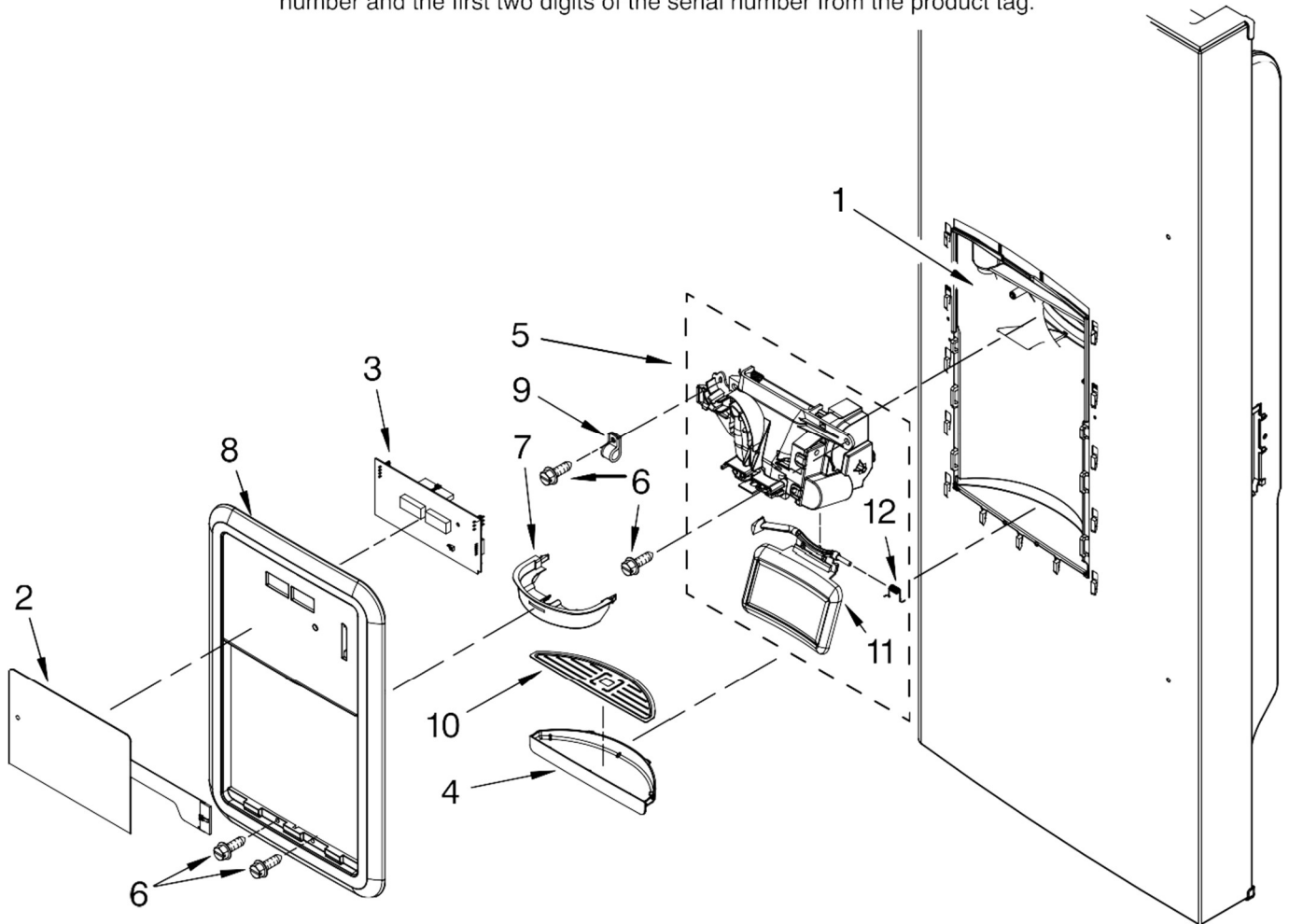
Illus. No.	Part No.	DESCRIPTION
10	67006113	Mount, Handle
11	12962106	Waterline, Door
12	W10187434	Bin, Shelf (Gallon)
13	67007108	Seal, Ice Chute
14		Mullion, Door
	W10164404	White
	W10164405	Black
	W10164406	Bisque
	W10191104	Apollo Grey
15	67006315	Frame, Chiller (Rear)
16		Closure, Door
	67003638	White
	67003639	Black
	W10191100	Apollo Grey

Illus. No.	Part No.	DESCRIPTION
17		Stop, Door
	12968202W	White
	67007011	Black
	12968202Q	Bisque
	W10191119	Apollo Grey
18	67006314	Frame, Chiller (Front)
19	67005954	Clip, Bushing Wire (Left Door)
20	67006312	Door, Chiller
21	67006473	Screw
22	67006439	Nameplate
23		Door, Right
	W10160132	White
	W10160123	Black
	W10160126	Bisque
	W10191134	Stainless
	W10191132	Satina

DISPENSER FRONT PARTS

REFRIGERADOR MFI2569VEM

Model(s) number shown may be different than what is printed on the serial tag of your product. The number(s) shown combine the model number and the first two digits of the serial number from the product tag.



Illus. No.	Part No.	DESCRIPTION
1		Housing, Dispenser (Not Serviced)
2		Dispenser Keyboard
	W10159999	White
	W10164469	Black
	W10164468	Bisque
	W10164470	Satina
	W10164471	Stainless
3	67006294	Board, L.V.
4		Sump, Dispenser
	W10142274	White
	W10164979	Black
	W10164981	Bisque
	W10164980	Apollo Grey (Light)
	W10185235	Midnight Grey (Dark)

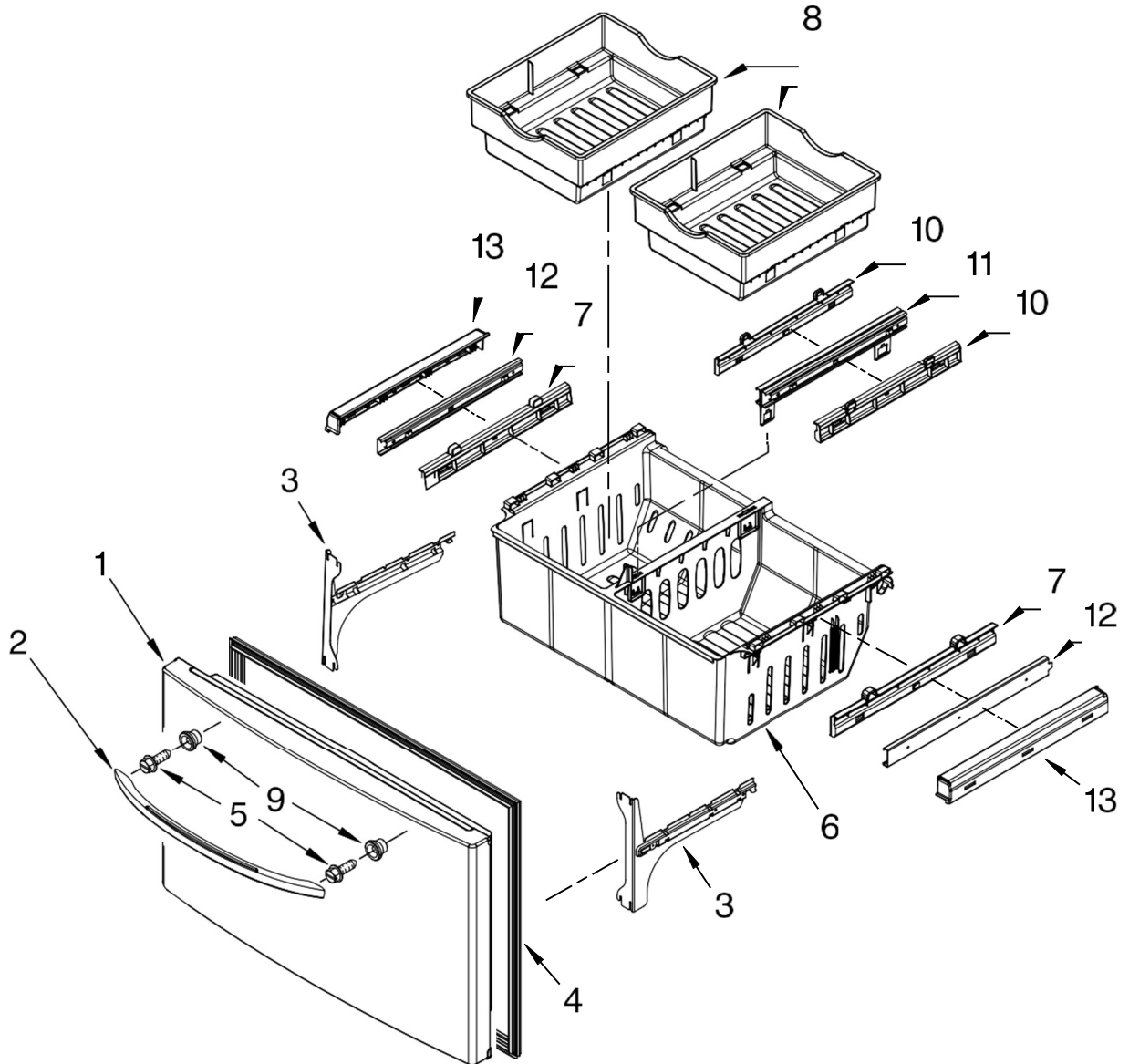
Illus. No.	Part No.	DESCRIPTION
5		Chute, Ext/Yoke (Includes Switch)
	W10191155	White
	W10191151	Black
	W10191153	Bisque
	W10191149	Apollo Grey (Light)
	W10192824	Midnight Grey (Dark)
6	67006400	Screw
7	67006295	Ring, Target
8		Facade, Dispenser
	W10142272	White
	W10164982	Black
	W10164983	Bisque
	W10142273	Apollo Grey W/Stainless Insert
	W10172895	Apollo Grey W/Satina Insert

Illus. No.	Part No.	DESCRIPTION
9	M0108106	Clamp, Tube
10	W10142275	Grille, Sump
11		Yoke/Pad Assy.
	W10170831	White
	W10170832	Black
	W10170833	Bisque
	W10164977	Apollo Grey (Light)
	W10185233	Midnight Grey (Dark)
12	12565502	Spring

FOR ORDERING INFORMATION REFER TO PARTS PRICE LIST

REFRIGERADOR MFI2569VEM

Model(s) number shown may be different than what is printed on the serial tag of your product. The number(s) shown combine the model number and the first two digits of the serial number from the product tag.



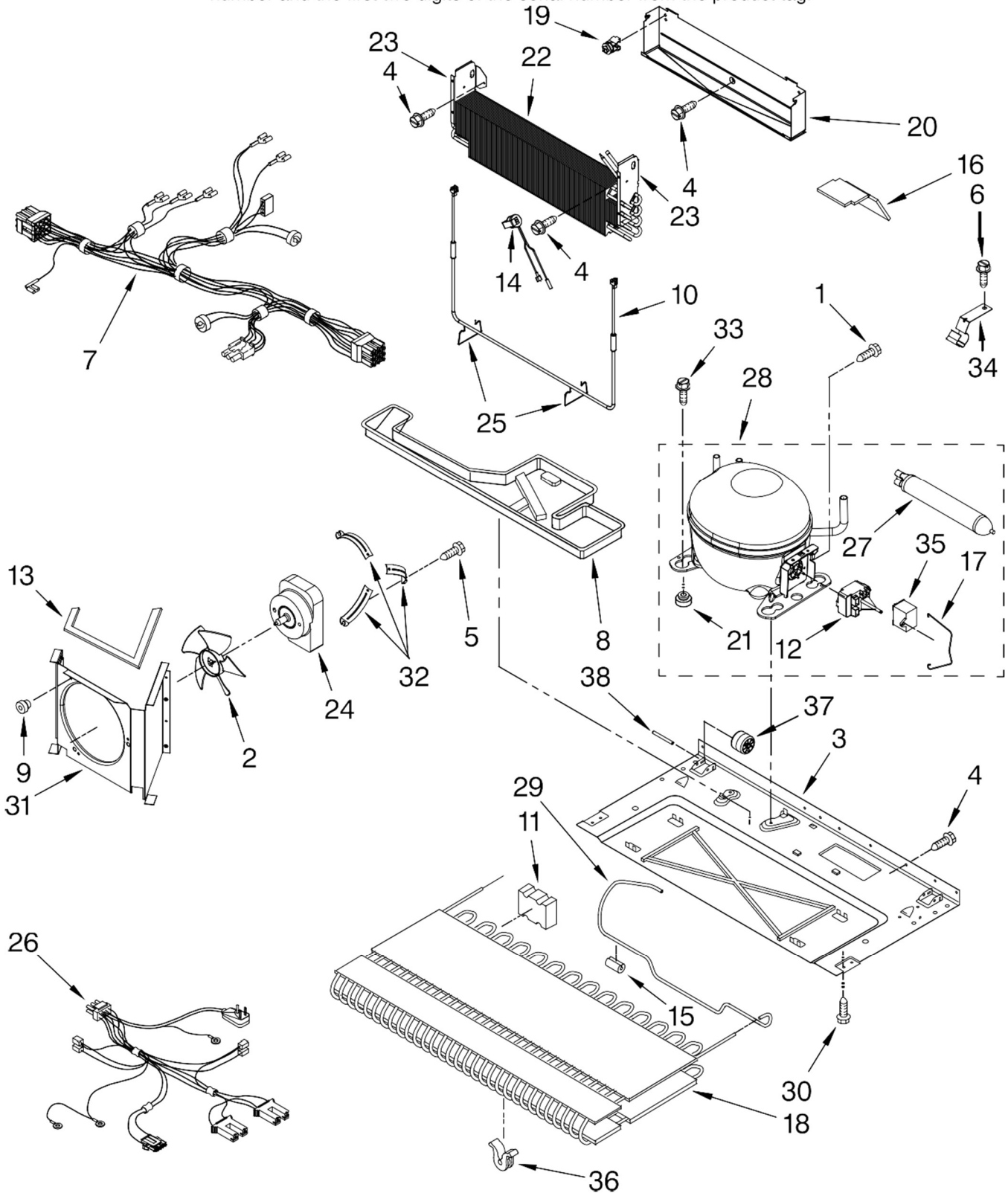
Illus. No.	Part No.	DESCRIPTION	Illus. No.	Part No.	DESCRIPTION	Illus. No.	Part No.	DESCRIPTION
1		Freezer Door	3		Bracket, Door	8	W10166237	Bin, Upper
	W10174214	White			Slide	9	67006113	Mount, Handle
	W10173929	Black		W10122147	Left	10	W10163002	Adapter, Bin (Inner)
	W10174150	Bisque		W10122148	Right	11	67006372	Bracket/Glide Assembly
	W10191131	Stainless	4		Gasket, Door		67006369	Glide, Upper Retainer, Glide
	W10191120	Satina		W10162897	White		67006368	Right
2		Handle, Door		W10162895	Black	12	67006367	Left
	67007107	White		W10191103	Apollo Grey	13		
	67007105	Black	5	67002935	Screw, Handle			
	67007106	Bisque	6	67006366	Bin, Lower			
	W10138763	Stainless	7	W10166742	Adapter, Bin (Outer)			
	W10191147	Antique Pewter						

FOR ORDERING INFORMATION REFER TO PARTS PRICE LIST

UNIT PARTS

REFRIGERADOR MFI2569VEM

Model(s) number shown may be different than what is printed on the model/serial tag of your product. The number(s) shown combine the model number and the first two digits of the serial number from the product tag.



FOR ORDERING INFORMATION REFER TO PARTS PRICE LIST

UNIT PARTS

REFRIGERADOR MFI2569VEM

Model(s) number shown may be different than what is printed on the model/serial tag of your product. The number(s) shown combine the model number and the first two digits of the serial number from the product tag.

Illus. No.	Part No.	DESCRIPTION
1	67006433	Screw
2	W10162928	Blade, Fan
3	67005889	Basepan
4	67006425	Screw
5	67004954	Screw (3)
6	67006737	Screw, Clip
7	W10119239	Harness, Evap Heater
8	67007175	Pan, Drain
9	61004743	Grommet (3)
10	W10162932	Heater, Defrost
11	67005491	Block, Condenser
12	W10128791	Start Device
13	61003210	Seal, Condenser Shroud
14	67006387	Thermostat, Defrost
15	67005680	Grommet (2)
16	12820504	Pad, Acoustic
17	2255199	Clip, Capacitor
18	67006131	Condenser
19	10623002	Clip, Evaporator
20	67002490	Tray, Drip
21	W10169124	Grommet (4)
22	W10184230	Evaporator Dam
23	W10162951	Right Side
	W10162962	Left Side

Illus. No.	Part No.	DESCRIPTION
24	67004432	Motor, Fan
25	10428101	Clip, Heater
26	13060202	Harness, Unit with Power Cord
27	2317845	Drier
28	W10134623	Compressor (Includes Items 12, 17, 21, 27, & 35)
29	W10134293	Tube, Discharge
30	67006573	Screw
31	W10158508	Shroud
32	67004953	Bracket, Fan Motor
33	67006432	Screw (3)
34	10547003	Clip, Drier
35	2264017	Capacitor
36	W10137529	Grommet, Cond. (4)
37	67005149	Roller (2)
38	67006434	Axle (2)

Illus. No.	Part No.	DESCRIPTION
Following Parts Not Illustrated and Optional Parts Not Included		

978025	Valve, Access (1/4")
978026	Valve, Access (5/16")
978027	Valve, Access (3/8")
978028	Valve, Access (1/2")
978029	Valve, Access (5/8")
978030	Valve, Access (3/4")
876764	Valve, Access (3/16")

REFRIGERANT CHARGE

5.25 Ozs.
(R-134A)

OPTIONAL PARTS (NOT INCLUDED)

For Models: MFI2569VEA10, MFI2569VEB10, MFI2569VEQ10, MFI2569VEM10, MFI2569VEW10
 (Monochromatic Satina) (Black) (Bisque) (Monochromatic Stainless) (White)

The model(s) number shown may be different than what is printed on the model/serial tag of your product. The number(s) shown combine the model number and the first two digits of the serial number from the product tag.

Illus. Part No. No. DESCRIPTION	Illus. Part No. No. DESCRIPTION	Illus. Part No. No. DESCRIPTION
Parts Not Illustrated and Optional Parts (Not Included)	<u>Refinishing Material</u>	<u>Miscellaneous</u>
<u>Customer Touch-Up Material</u> *350942 Primer, White (13 Oz. Spray Can) *350939 Enamel, Black (13 Oz. Spray Can) *350930 Enamel, White (13 Oz. Spray Can) 22002901 Enamel, Bisque (12 OZ. Spray Can) 22002900 Enamel, Bisque (.6 OZ. Bottle) 72017 Brush Touch-Up Kit (White) 72032 Brush Touch-up kit (Black)	799340 Enamel, Black (1 Qt. Uncut) 799344 Enamel, White (1 Qt. Uncut)	212643 Sealer, Gum (4 Feet) 479502 Tape, Vinyl (3/4 x 108") 876370 Kit, Insulation (2 Pcs. x 3" x 24" X 48") 876305 Kit, Insulation (14 Pcs. x 3" x 24" x 48") 978941 Insulation, Fiberglass (63-1/2" x 35-1/2" X 2-5/8) 876029 Kit, Foam Slab (30" x 32-1/2" x 1-1/2") 505587 Sealer, Mastic (1 Qt.) 503695 Cork, Sealer (1/4 Pound) 20000008 Cleaner, Stnls Steel Magic 542638 Grease, Silicone (1/2 Oz.) 542639 Cement, Alumilastic (1-1/4 Oz.) 606755 Bag, Insulation (36-5/8" x 46") 833938 Kit, Terminal Connector 67006349 Ice Container Assembly
<p>*Important: The spray paint is not to be used where the paint may make contact with the door gaskets.</p>		<u>TORX SCREW WRENCH</u> 1117510 Torx Key

FOR ORDERING INFORMATION REFER TO PARTS PRICE LIST