



FRENCH DOOR BOTTOM MOUNT REFRIGERATOR

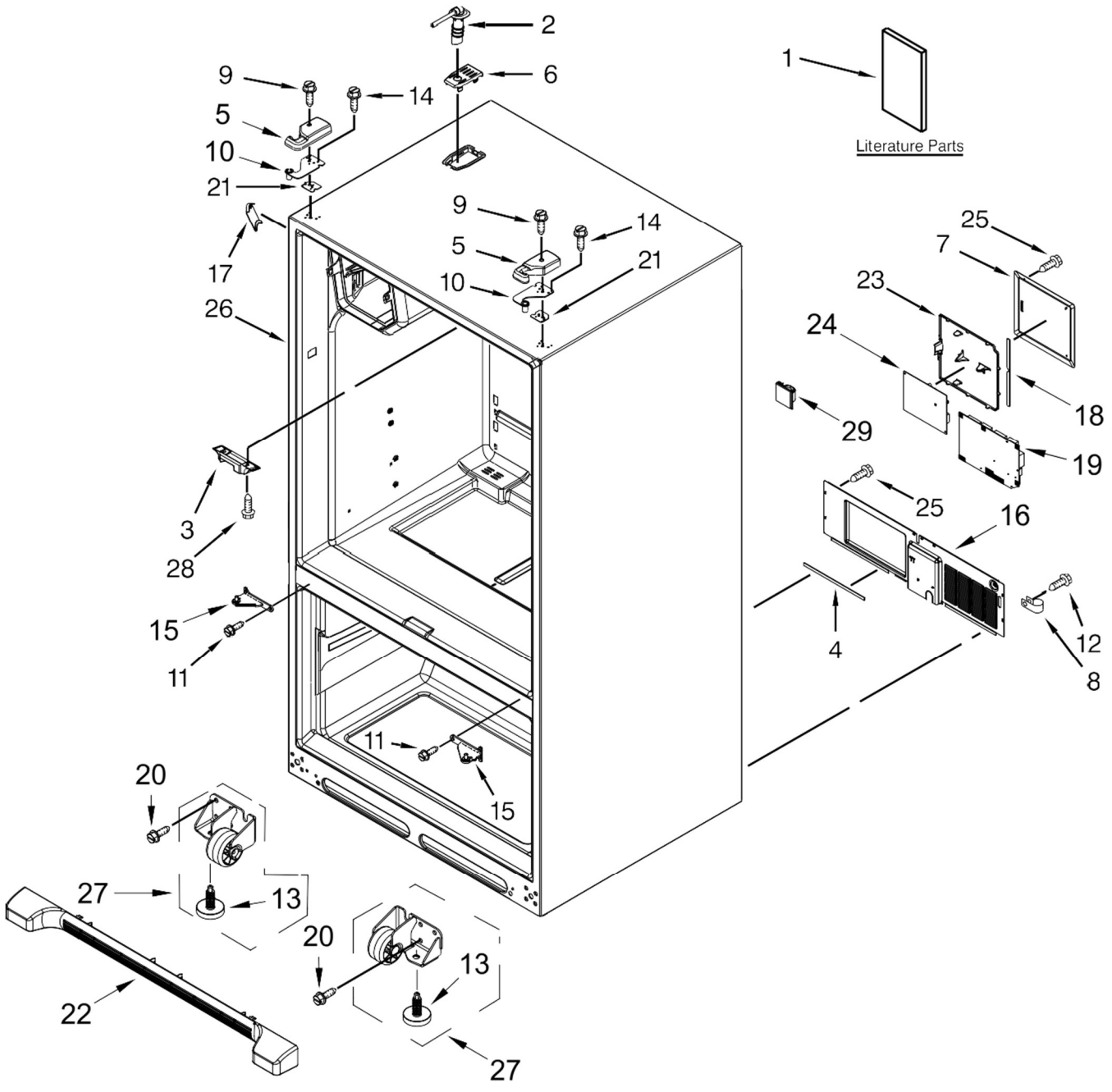
MODELS:

MFI2570FEH01 (White Ice)

MFI2570FEE01 (Black Ice)

MFI2570FEZ01 (Monochromatic Stainless Steel)

REFRIGERADOR MFI2570FE



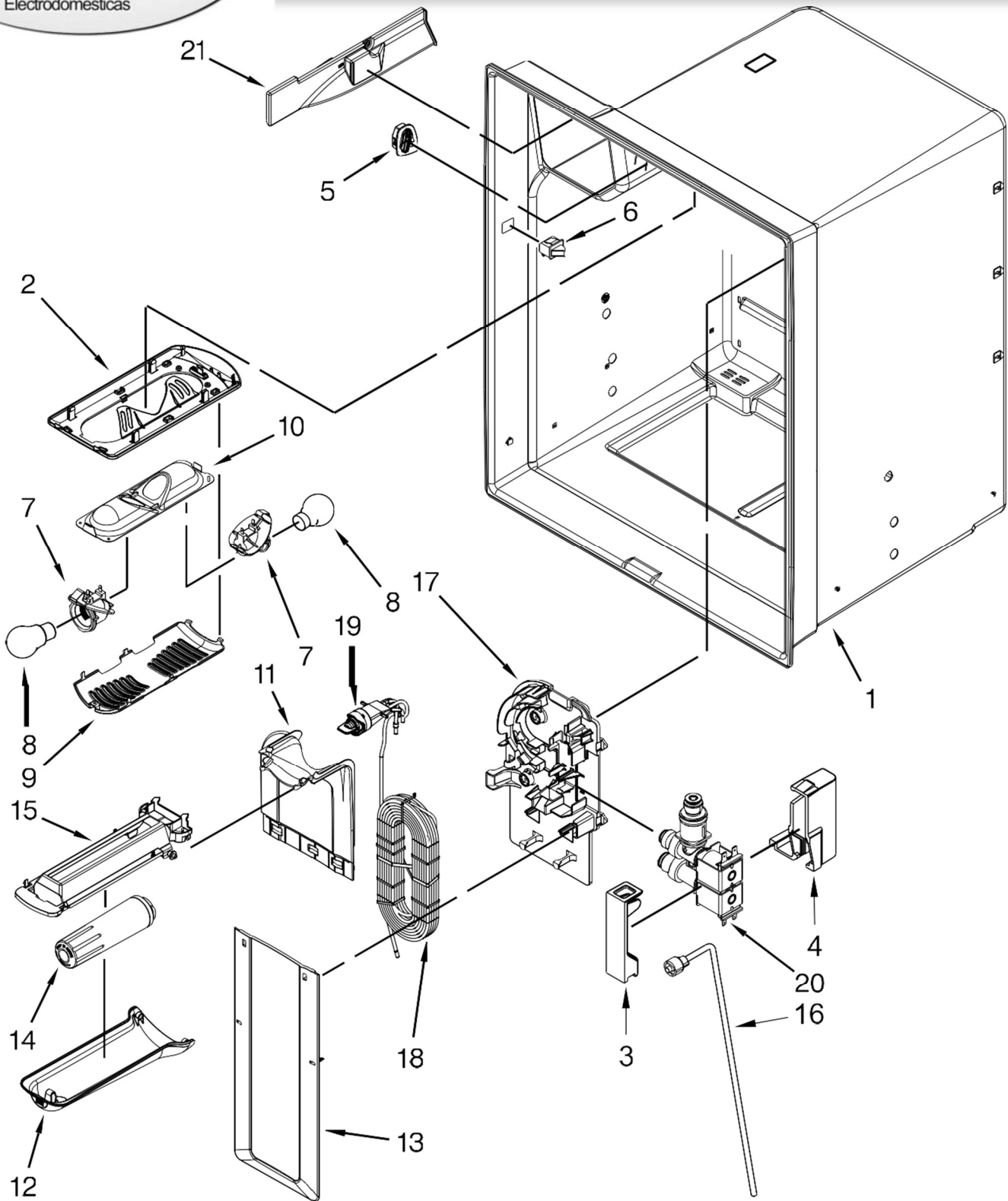
REFRIGERADOR MFI2570FE

<u>Illus. No.</u>	<u>Part No.</u>	<u>Description</u>
1		Literature Parts
	W10826081	Tech Sheet (English)
	W10826085	Tech Sheet (French)
	W10857667	Use and Care Guide
	W10857672	Energy Guide
2	12961401	Tube, Water
3	12698403	Plate, Pivot
4	B5759655	Gasket
5		Cover, Top Hinge
		Left Hand
	W10337634	White
	W10337647	Black
	W10337648	Grey
		Right Hand
	12962302W	White
	12962302B	Black
	12962302AP	Grey
6		Cover, Fill Tube
	12981401W	White
	12981401B	Black
	12981401AP	Grey
7	12961602	Cover, Control Box
8	M0108107	Clamp, Tube

<u>Illus. No.</u>	<u>Part No.</u>	<u>Description</u>
9	12992602	Screw
10		Hinge, Top
	12963204ED	Left Hand
	12963205ED	Right Hand
11	W10673840	Screw (Stainless)
12	12990511	Screw
13	W10141622	Brake, Roller
14	12992403	Screw
15		Hinge, Center
		Left Hand
	13000001WD	White
	13000007ED	Black
	13000001AP	Grey
		Right Hand
	13000002WD	White
	13000008ED	Black
	13000002AP	Grey
16	W10270394	Cover, Unit
17		Cover, Corner
	12587703W	White
	12587703B	Black
	12587703AP	Grey
18	12957801	Gasket, Control Box
19	W10438707	Board, Control

<u>Illus. No.</u>	<u>Part No.</u>	<u>Description</u>
20	W10709365	Screw
21		Shim, Top Hinge
	12999501	Left Hand
	12999502	Right Hand
22		Grille, Toe
	W10534154	White
	W10534153	Black
	W10534155	Grey
23	W10296541	Lid, HV Control Box
24	W10356039	Control, Electronic (Power Supply)
25	12990702	Screw
26		Cabinet (Not A Servicable Part)
27		Assembly, Roller
	W10515763	Left Hand
	W10515762	Right Hand
28	12990302	Screw
29	M0104106	Clip, Cord

REFRIGERADOR MFI2570FE



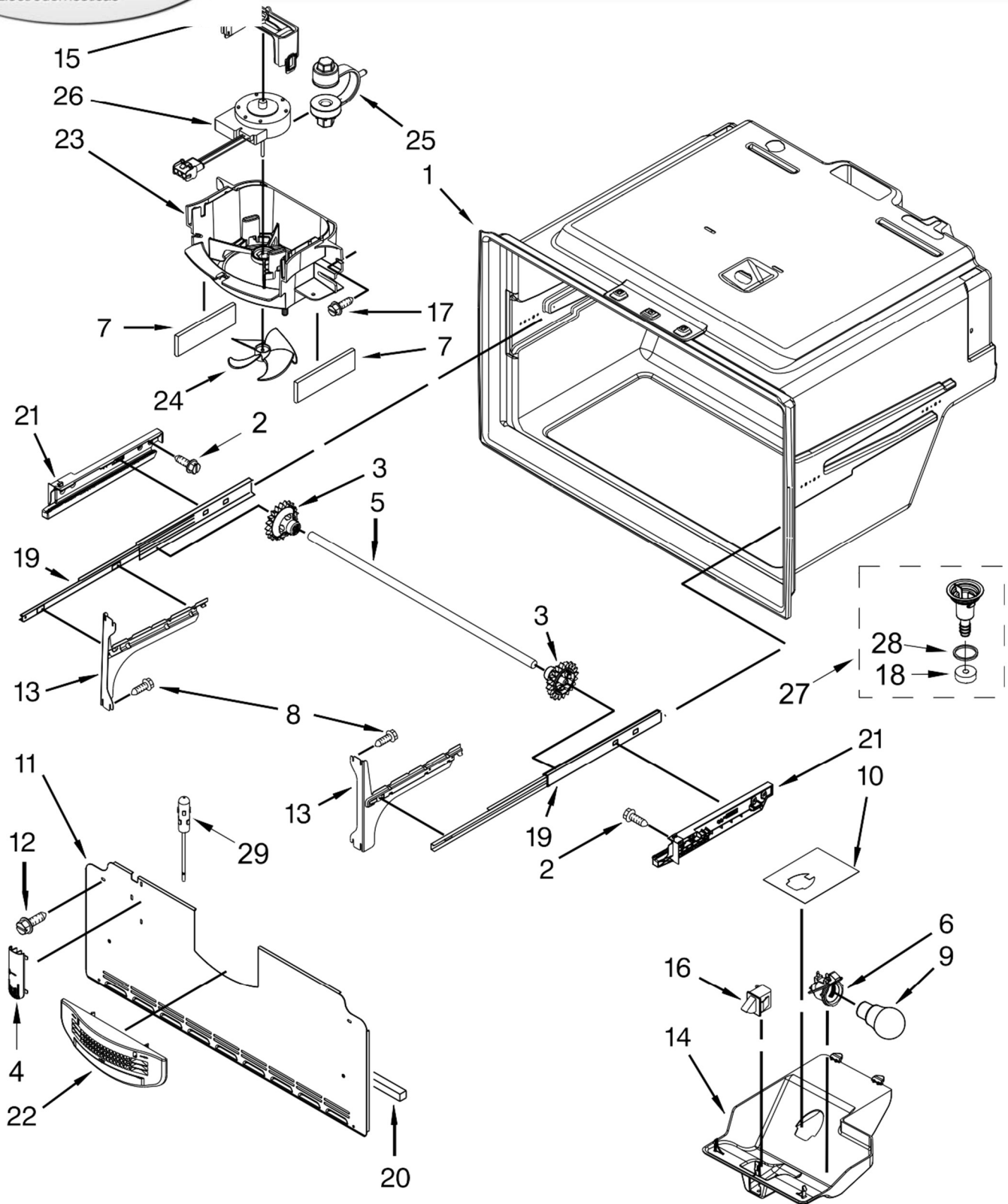
REFRIGERADOR MFI2570FE

<u>Illus. No.</u>	<u>Part No.</u>	<u>Description</u>
1		Liner (Not A Serviceable Part)
2	W10468891	Module, Light
3	W10118194	Lid, Enclosure
4	W10118193	Enclosure, Water Valve Connector
5	W10555984	Assembly, Air Grille
6	12466103	Switch, Rocker
7	12570701V	Socket, Light

<u>Illus. No.</u>	<u>Part No.</u>	<u>Description</u>
8	W10820003	Lamp, Led
9	12905902	Cover, Light
10	W10443023	Housing, Light
11	12960101	Cover, Upper Water Tank
12	12960301	Cover, Filter
13	12960001	Cover, Lower Water Tank
14	W10735404	Filter, Water
15	12955901	Bracket, Filter Base

<u>Illus. No.</u>	<u>Part No.</u>	<u>Description</u>
16	W10444033	Tube, Water
17	W10334463	Bracket, Water Tank and Valve
18	W10657242	Assembly, Water Tank and Head (Includes Bypass Cartridge)
19	12664501SP	Cartridge, Bypass
20	W10312696	Valve, Water Inlet
21	W10309869	Cover, Wiring

REFRIGERADOR MFI2570FE



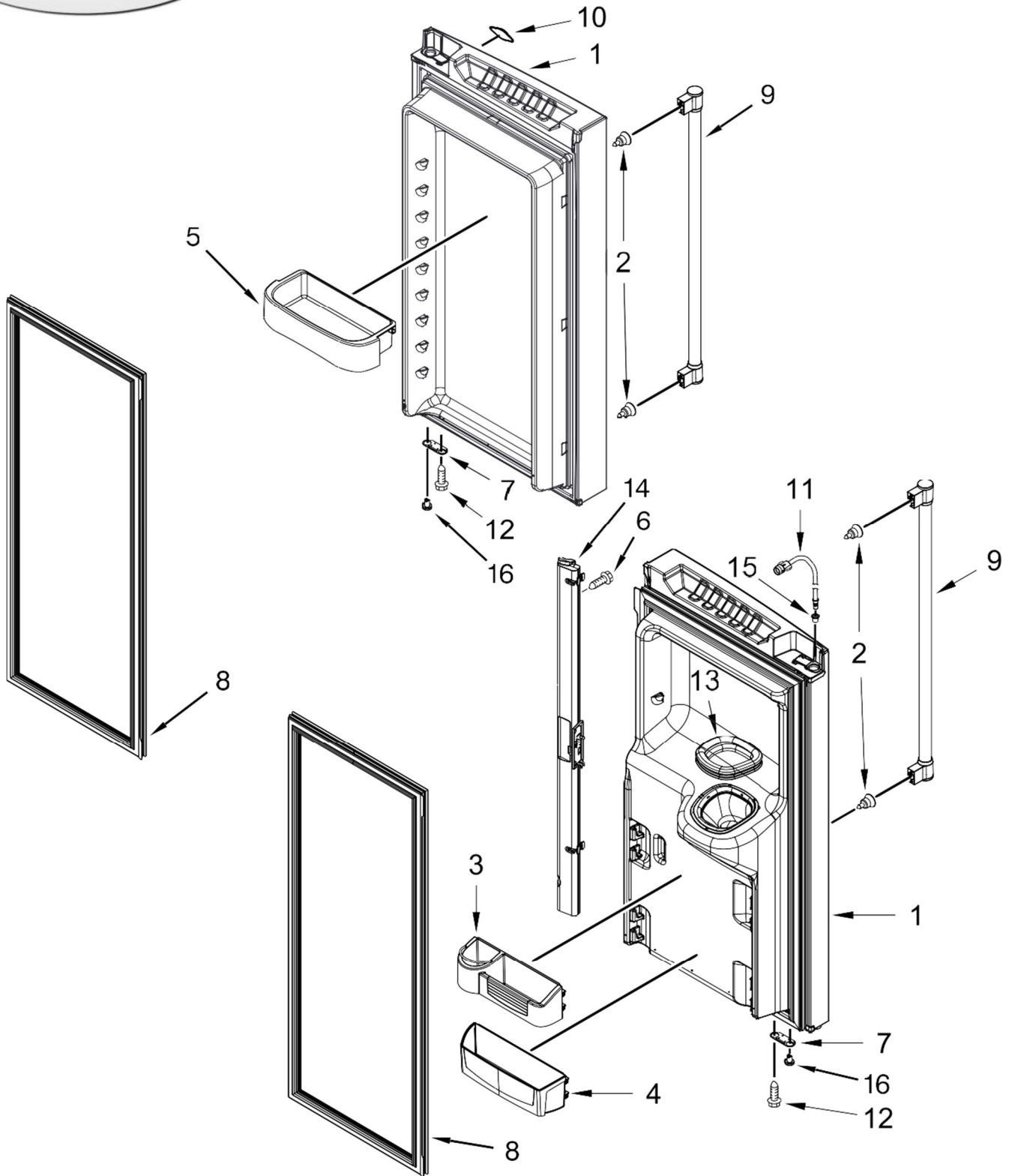
REFRIGERADOR MFI2570FE

<u>Illus. No.</u>	<u>Part No.</u>	<u>Description</u>
1		Liner (Not A Serviceable Part)
2	12990501	Screw
3	12002497	Gear
4	12815301	Cover, Thermistor
5	W10802332	Shaft, Rack
6	12570701	Socket, Light
7	A3189392	Gasket, Foam
8	12990521	Screw
9	W10820003	Lamp, Led
10	W10277466	Foil, Housing
11	W10308421	Cover, Evaporator
12	12990511	Screw

<u>Illus. No.</u>	<u>Part No.</u>	<u>Description</u>
13		Bracket, Door Slide
	W10330991	Left Hand
	W10330993	Right Hand
14	W10315248	Module, Light
15	12956601	Clip, Fan Motor
16	12466111SP	Switch, Light
17	12990504	Screw
18	B8381501	Gasket, Drain
19	W10120018	Slide, Door
20	A3189396	Gasket
21		Adapter, Side
	W10284682	Left Hand
	W10284683	Right Hand

<u>Illus. No.</u>	<u>Part No.</u>	<u>Description</u>
22	12959901	Grille, Air
23	12951401	Shroud, Evaporator
24	12986101	Blade, Fan
25	12951101	Grommet, Fan Motor
26	W10276647	Motor, Evaporator (Includes Heater Harness, Defrost Thermostat and Thermistor)
27	W10662407	Assembly, Drain Funnel
28	M0500703	Seal
29	12791417SP	Thermistor

REFRIGERADOR MFI2570FE



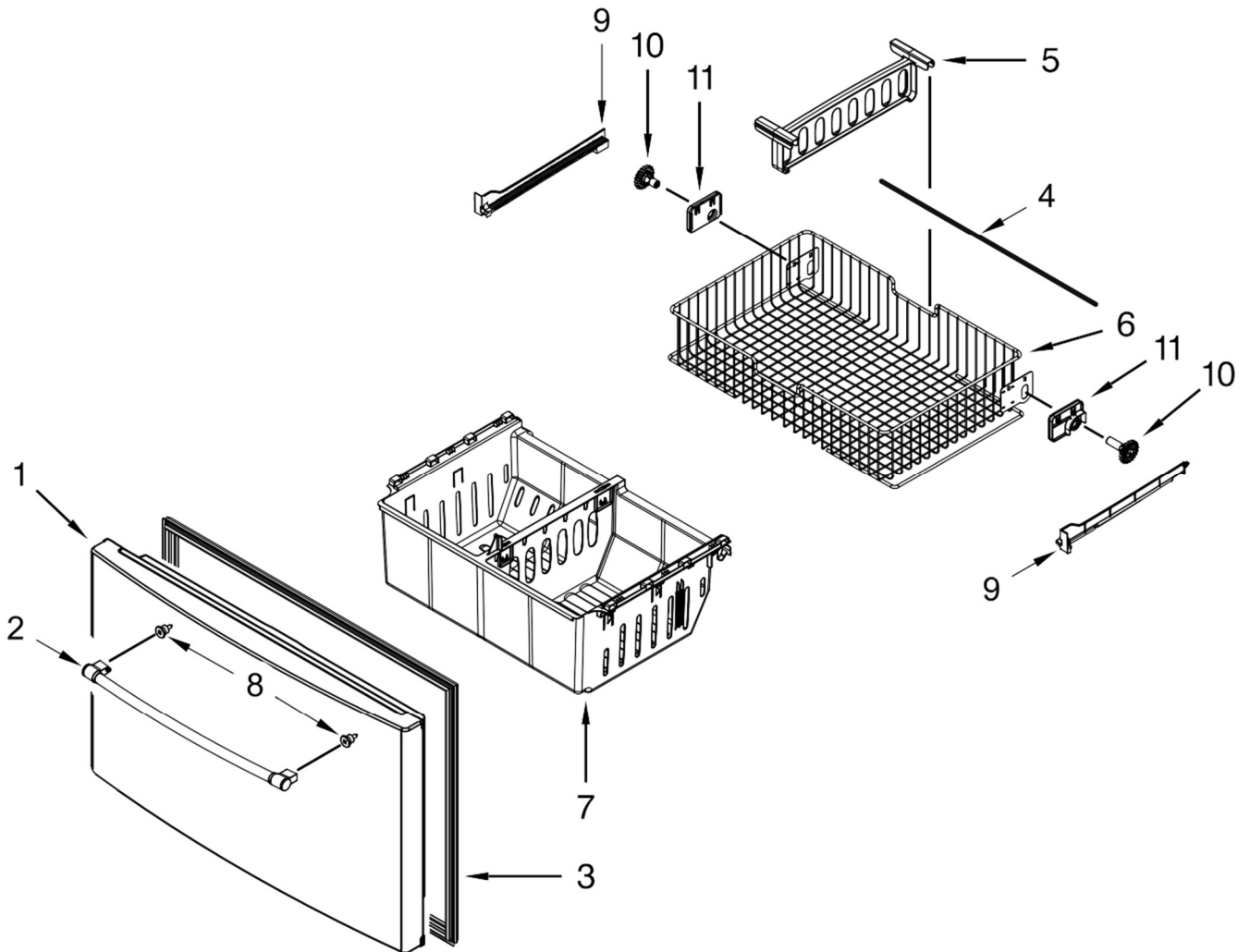
REFRIGERADOR MFI2570FE

<u>Illus. No.</u>	<u>Part No.</u>	<u>Description</u>
1		Door, Refrigerator
		Left Hand
	W10859353	White
	W10859351	Black
	W10855053	Stainless
		Right Hand
	W10859352	White
	W10859350	Black
	W10855052	Stainless
2	W10460893	Screw
3	W10323808	Bucket, Upper
4	W10212139	Bucket, Small
5	W10224961	Bucket, Gallon

<u>Illus. No.</u>	<u>Part No.</u>	<u>Description</u>
6	12990204	Screw
7		Stop, Door
	12968202W	White
	12968202B	Black
	12968202AP	Grey
8		Gasket, Door
	W10830057	White
	W10830065	Black
	W10830055	Grey
9		Handle, Door
	W10838130	Stainless
10		Assembly, Badge W10612926
		Badge

<u>Illus. No.</u>	<u>Part No.</u>	<u>Description</u>
11	W10511930	Waterline, Door
12	12990521	Screw
13	W10287601	Seal, Ice Chute
14		Mullion, Door
	12722815W	White
	12722815B	Black
	12722815AP	Grey
15	12996601	Clip, Bushing
16		Closure, Door
	12028505W	White
	12028505B	Black
	12028505AP	Grey

REFRIGERADOR MFI2570FE





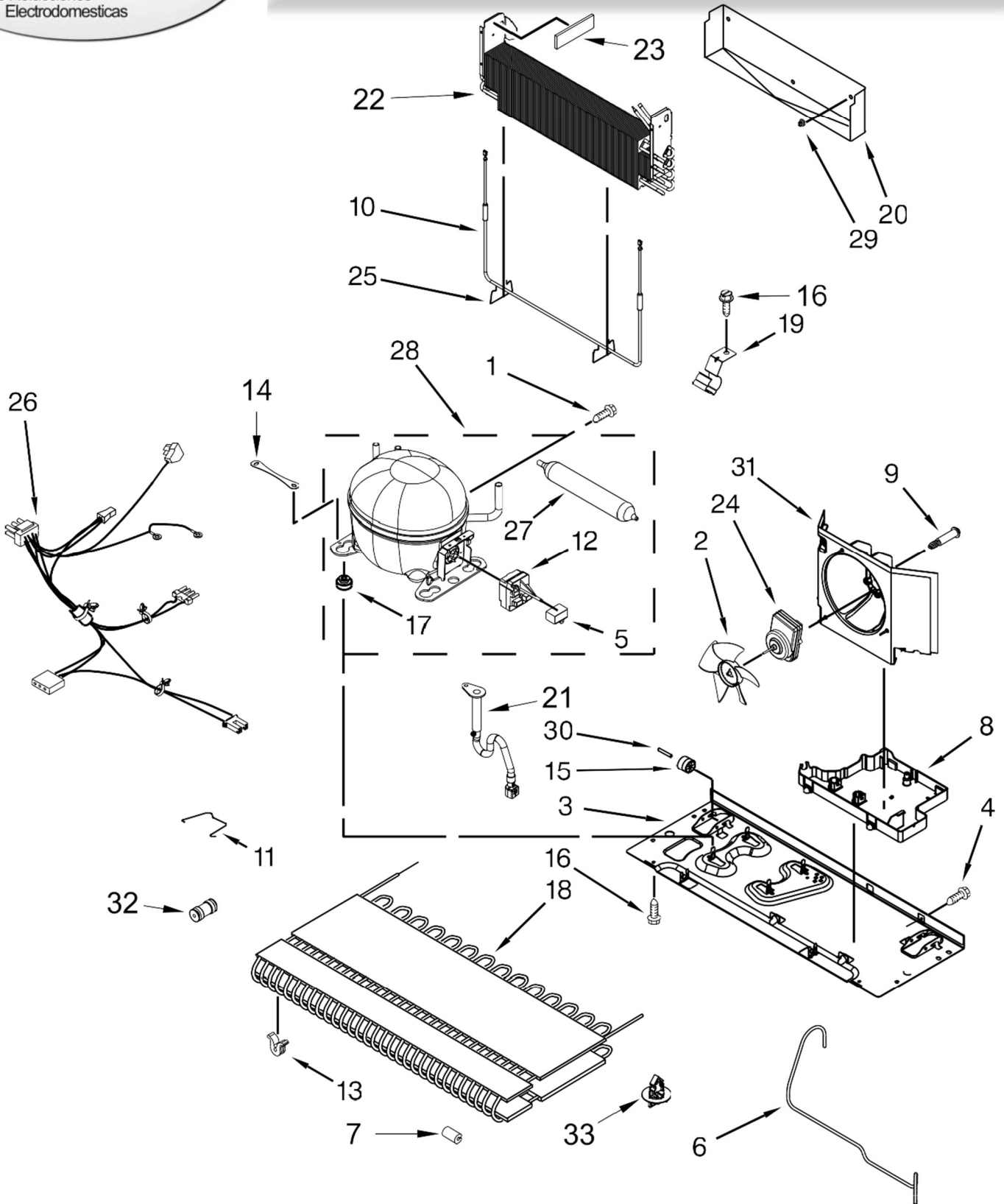
REFRIGERADOR MFI2570FE

<u>Illus. No.</u>	<u>Part No.</u>	<u>Description</u>
1		Door, Freezer
	W10857732	White
	W10857731	Black
2	W10857733	Stainless
		Handle, Door
3	W10838132	Stainless
		Gasket, Door
	W10443321	White
	W10436253	Black
	W10714545	Grey

<u>Illus. No.</u>	<u>Part No.</u>	<u>Description</u>
4	W10802333	Shaft, Rack
5	W10146439	Divider, Upper Basket
6	W10348249	Basket, Upper
7	W10293682	Bin, Lower
8	W10460893	Screw
9		Rack, Side
	W10516603	Left Hand
	W10516602	Right Hand

<u>Illus. No.</u>	<u>Part No.</u>	<u>Description</u>
10		Spur, Gear
	W10474716	Left Hand
	W10474715	Right Hand
11		Mount, Gear
	W10348259	Left Hand
	W10348260	Right Hand

REFRIGERADOR MFI2570FE



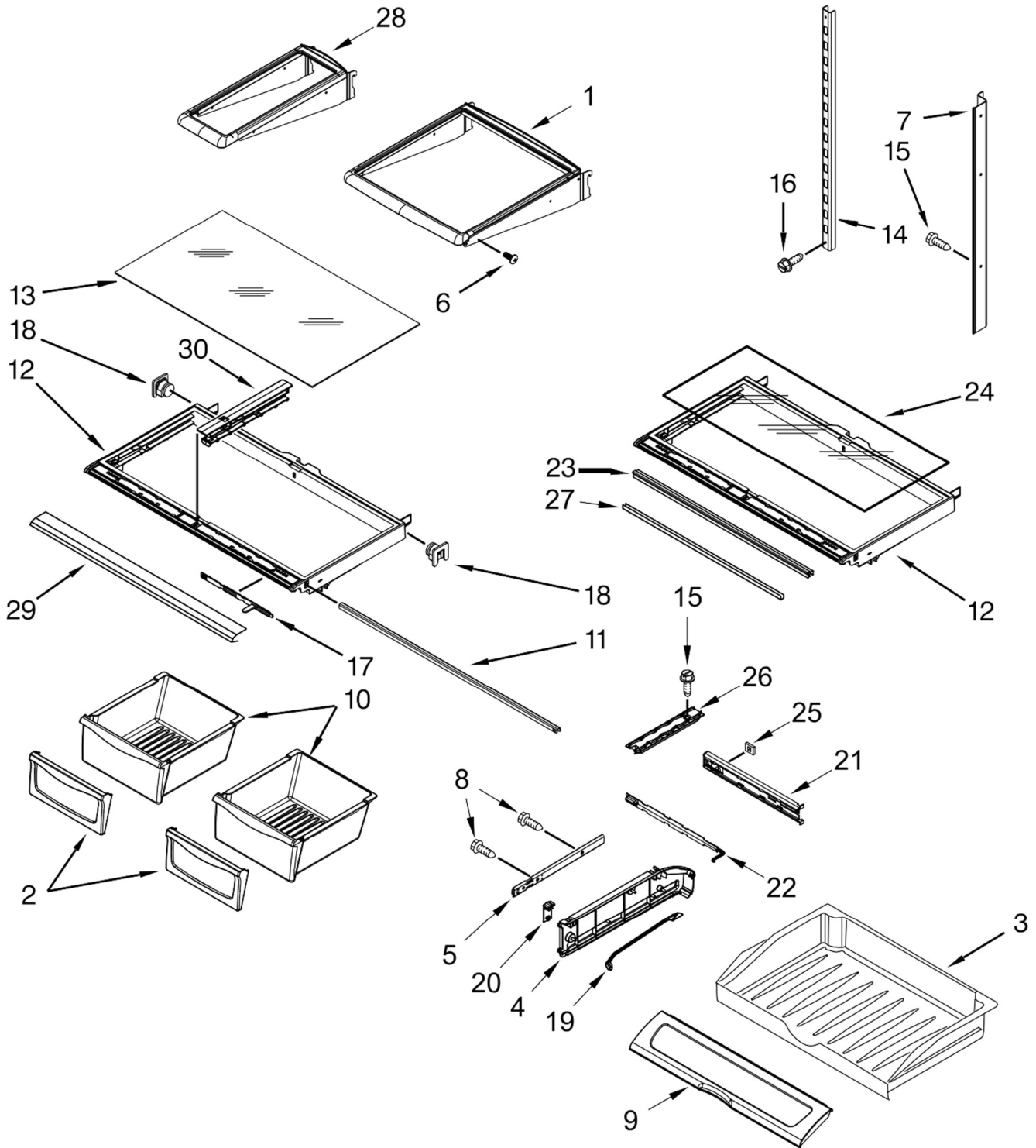
REFRIGERADOR MFI2570FE

<u>Illus. No.</u>	<u>Part No.</u>	<u>Description</u>
1	12992301	Screw
2	12825803	Blade, Fan
3	W10480111	Basepan
4	12990511	Screw
5	W10350564	Capacitor
6	W10795418	Tube, Discharge
7	2319835	Grommet, Condenser
8	W10655368	Pan, Drain
9	W10622701	Screw
10	12729123	Heater, Defrost
11	W10216075	Strap, Bale
12	W10798748	Device, Start
13	W10137529	Grommet, Condenser
14	W10236396	Strap, Compressor
15	12477102	Roller
16	12992101	Screw

<u>Illus. No.</u>	<u>Part No.</u>	<u>Description</u>
17	W10806346	Grommet, Compressor
18	W10346415	Condenser
19	W10281329	Clip, Drier
20	W10292803	Tray, Drip
21	W10622099	Extension, Drain Tube
22	W10313899	Evaporator
23	A3189397	Gasket, Foam
24	W10609117	Motor, Condenser Fan
25	10428101	Clip, Heater
26	W10679214	Harness, Unit (Includes Power Cord)
27	W10177049	Drier
28	W10775170	Compressor
29	10623002	Clip, Evaporator
30	12477202	Axle, Roller
31	W10189184	Shroud, Condenser Fan

<u>Illus. No.</u>	<u>Part No.</u>	<u>Description</u>
32	W10334458	Connector, Water Tube
33	W10815863	Clip, Condenser
		Following Parts Not Illustrated
	978025	Valve, Access
	978026	Valve, Access
	978027	Valve, Access
	978028	Valve, Access
	978029	Valve, Access
	978030	Valve, Access
	876764	Valve, Access
		REFRIGERANT CHARGE
		4.50 oz. (R-134A)

REFRIGERADOR MFI2570FE



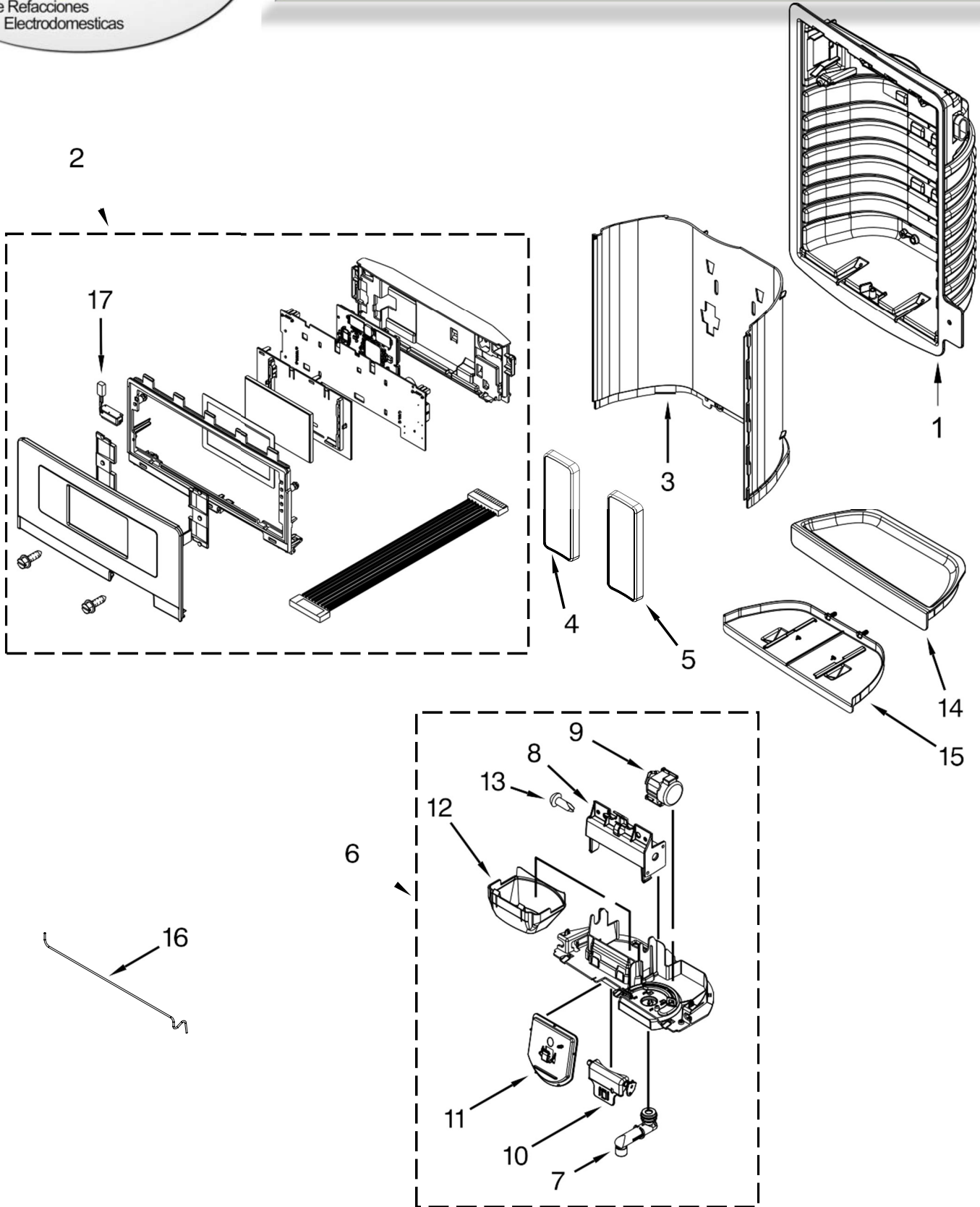
REFRIGERADOR MFI2570FE

<u>Illus. No.</u>	<u>Part No.</u>	<u>Description</u>
1	12883507	Shelf, Glide Out
2	12643802SP	Frame, Crisper Pan
3	12731302	Drawer, Pantry
4		Endcap, Pantry
	W10845509	Left Hand
	W10845508	Right Hand
5	W10235370	Glide, Pantry
6	12990302	Screw
7		Ladder, Side
	W10251966	Left Hand
	W10251965	Right Hand
8	12990504	Screw
9	12656813	Lid, Pantry

<u>Illus. No.</u>	<u>Part No.</u>	<u>Description</u>
10	12804601SP	Pan, Crisper
11	12642303WD	Brace, Crisper Cover
12	W10329866	Frame, Crisper
13	12204824N	Glass, Shelf
14	W10273464	Ladder, Center
15	12990513	Screw
16	12990512	Screw
17	12530805SP	Slide, Humidity Control
18	13062602	Support, Crisper Frame
19	12655304	Bar, Control
20	12655204	Knob, Temperature Control
21	12656202	Housing, Control

<u>Illus. No.</u>	<u>Part No.</u>	<u>Description</u>
22	12655402	Slide, Temperature Control
23	W10528935	Trim, Pantry Glass
24	12204830	Glass, Shelf
25	12656901	Gasket, Pantry
26	12531901	Track, Deli Drawer
27	12227305WH	Brace, Pantry
28	12885501	Shelf, Mini Stationary
29	W10313178N	Trim, Crisper
30	W10326469N	Rail, Center Crisper

REFRIGERADOR MFI2570FE



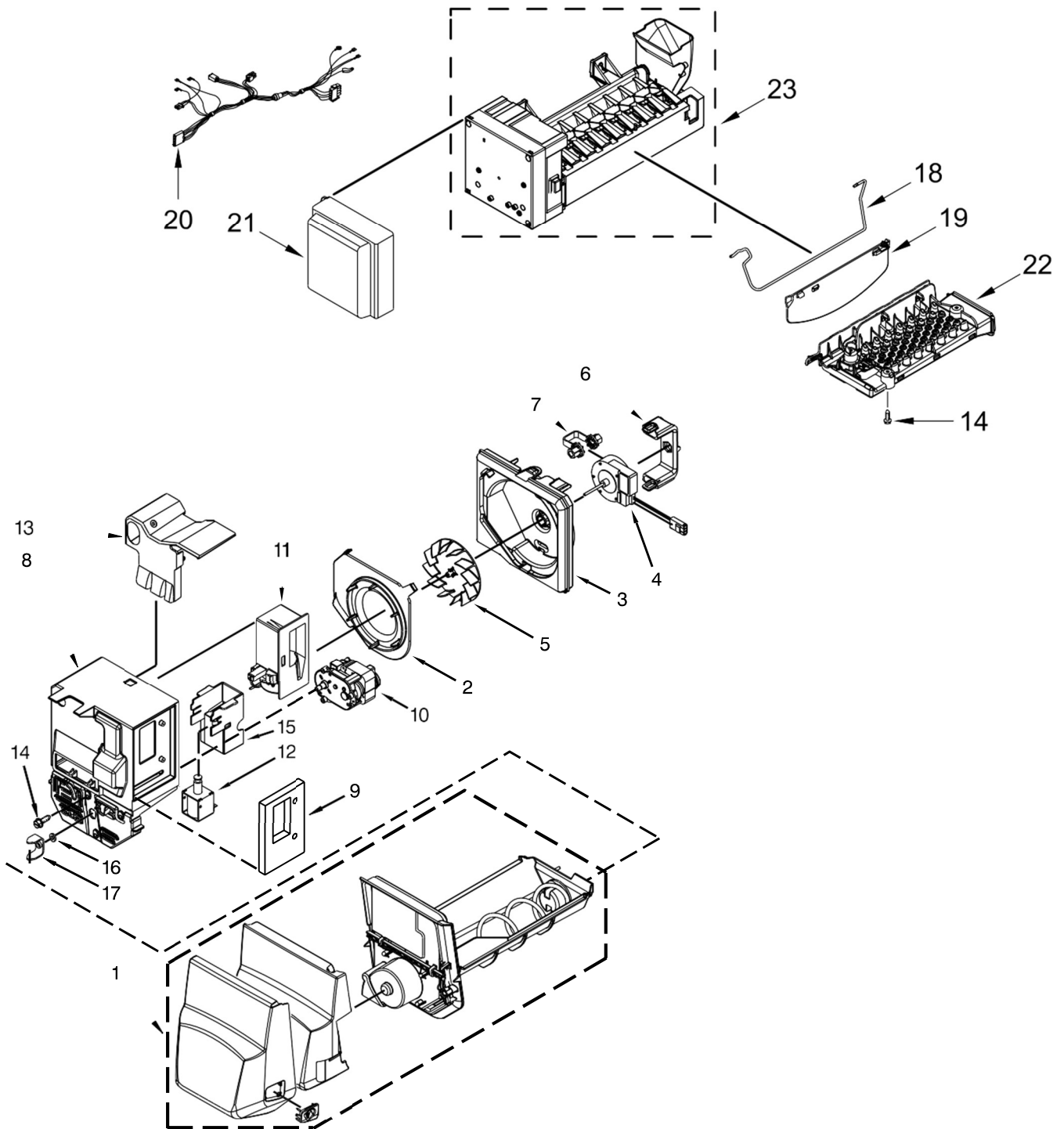
REFRIGERADOR MFI2570FE

<u>Illus. No.</u>	<u>Part No.</u>	<u>Description</u>
1		Housing, Dispenser (Not Serviced)
2	W10860815	Assembly, User Interface
3		Wall, Dispenser False
	W10215699	White
	W10233560	Black
	W10299897	Grey
4		Pad, Ice
	W10334798	Black
	W10334801	Grey
5		Pad, Water
	W10334822	Black
	W10334825	Grey

<u>Illus. No.</u>	<u>Part No.</u>	<u>Description</u>
6	W10353552	Assembly, Seperator
7	2316647	Assembly, Spigot Body
8	W10174827	Bracket, Ice Door
9	W10205979	Motor, Ice Door
10	W10346124	Support, Ice Door
11	W10317279	Door, Ice
12	W10339578	Guide, Ice
13	W10174818	Clip, Motor Coupling
14		Tray, Dispenser
	W10267869	White
	W10267870	Black
	W10299895	Grey

<u>Illus. No.</u>	<u>Part No.</u>	<u>Description</u>
15		Tray, Dispenser Slide
	W10267860	White
	W10267861	Black
	W10267863	Grey
16	W10511930	Waterline, Door
17	W10238083	Assembly, LED

REFRIGERADOR MFI2570FE





REFRIGERADOR MFI2570FE

<u>Illus. No.</u>	<u>Part No.</u>	<u>Description</u>
1	W10562191	Assembly, Ice Bin
2	W10121282	Inlet, Blower
3	W10309863	Scroll, Blower
4	W10308033	Motor, Fan
5	W10123444	Wheel, Blower
6	12956603	Clip, Fan Motor
7	W10151687	Grommet, Fan Motor
8	W10309864	Divider, Ice Box
9	12920001	Gasket, Damper

<u>Illus. No.</u>	<u>Part No.</u>	<u>Description</u>
10	W10309868	Motor, Auger
11	W10196393	Damper, Control
12	W10309866	Assembly, Solenoid
13	W10118612	Liner, Divider
14	12990511	Screw
15	W10346971	Bracket, Solenoid
16	W10465946	Washer
17	63052A001	Yoke, Ice Dispenser
18	W10175514	Arm, Shutoff

<u>Illus. No.</u>	<u>Part No.</u>	<u>Description</u>
19	W10351019	Extension, Shutoff Arm
20	W10826037	Harness, Icemaker
21	W10290556	Cover
22	W10312691	Assembly, Impinger
23	W10300024	Assembly, Icemaker (Complete)

OPTIONAL PARTS

PAINT, TOUCH-UP (1/2OZ.)

Illus.

<u>No.</u>	<u>Part No.</u>	<u>Description</u>
	72017	White
	72032	Black
	511873	White Porcelain (2 oz.)
	4392899	Biscuit/Bisque

PAINT, PRESSURIZED SPRAY (12 OZ.)

Illus.

<u>No.</u>	<u>Part No.</u>	<u>Description</u>
	350930	White
	350939	Enamel, Black
	285006	Black
	350942	White Primer
	4392901	Biscuit/Bisque

PAINT, BULK (1 QT.)

Illus.

<u>No.</u>	<u>Part No.</u>	<u>Description</u>
	799344	White (Uncut)

MISCELLANEOUS

Illus.

<u>No.</u>	<u>Part No.</u>	<u>Description</u>
	212643	Sealer, Gum (4 Feet)
	479502	Tape, Vinyl (3/4 x 108")
	876370	Insulation (2 Pieces, 3" x 24" x 48")
	876305	Insulation Kit (14 Pieces, 3" x 24" x 48")
	978941	Insulation, Fiberglass (63 1/2" x 35 1/2" x 2 5/8")
	876029	Kit, Foam Slab (30" x 32 1/2" x 1 1/2")
	505587	Sealer, Mastic (1 Qt)
	503695	Cork, Sealer
	20000008	Cleaner, Stainless Steel
	542638	Grease, Silicone (1/2 Oz.)
	542639	Cement, Alumilastic (1 1/4 Oz.)
	833938	Kit, Terminal Connector
	8003RP	Kit, Water Inlet

TORX SCREW WRENCH

Illus.

<u>No.</u>	<u>Part No.</u>	<u>Description</u>
	1117510	Torx Key