

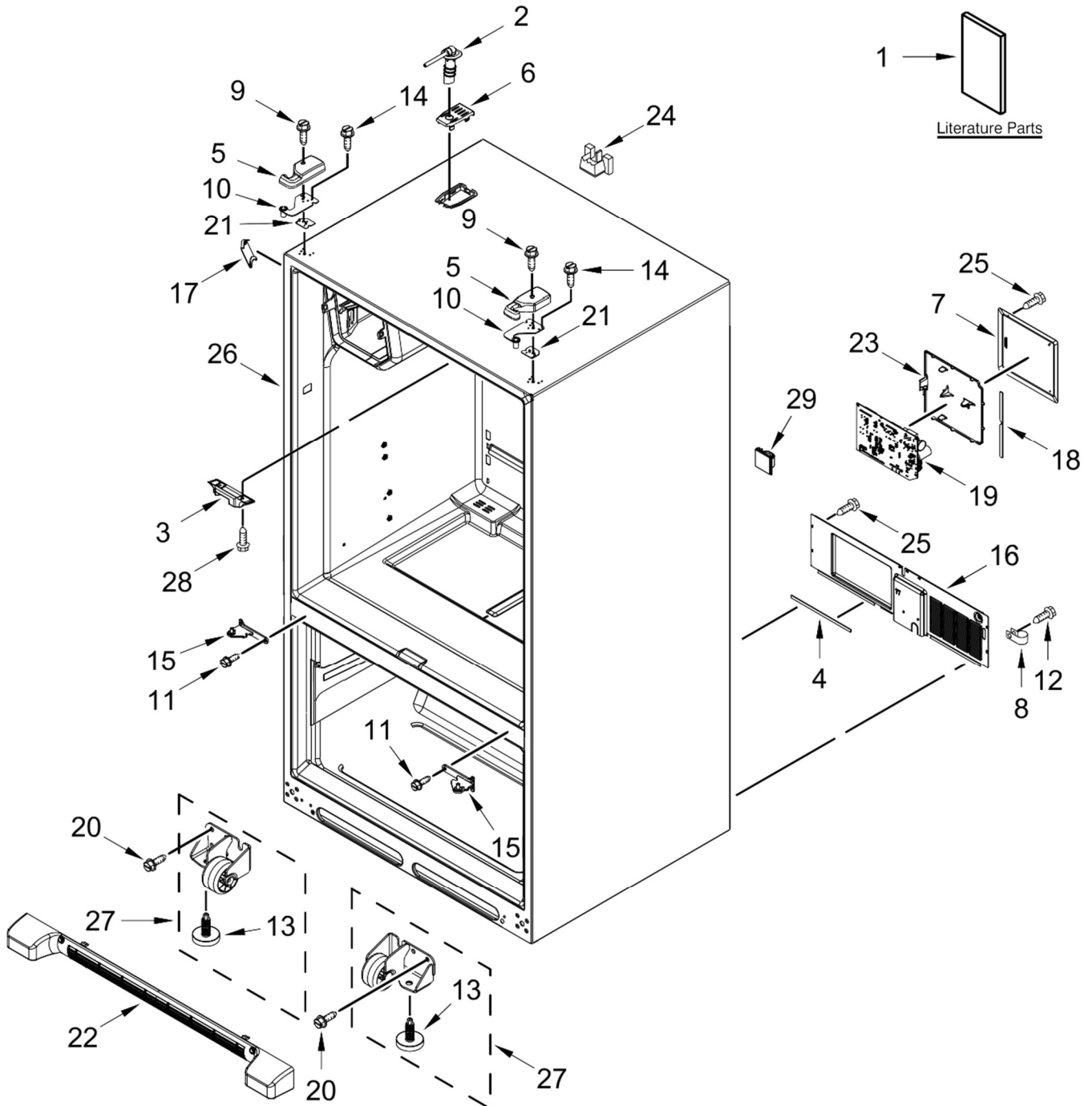


FRENCH DOOR BOTTOM MOUNT REFRIGERATOR

MODELS:

MFI2570FEZ03 (Stainless Steel)

REFRIGERADOR MFI2570FEZ03



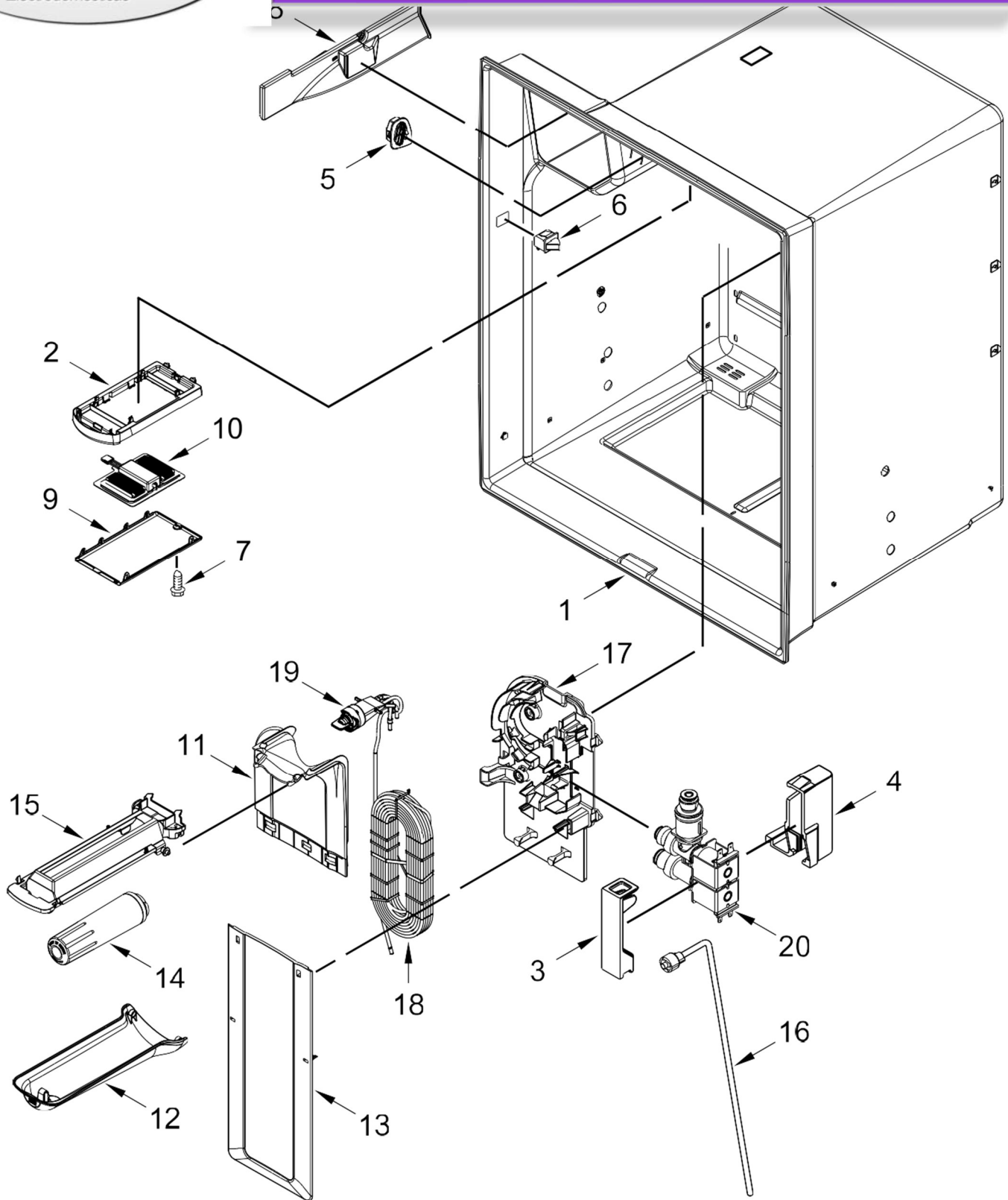
REFRIGERADOR MFI2570FEZ03

<u>Illus. No.</u>	<u>Part No.</u>	<u>Description</u>
1		Literature Parts
	W11050317	Tech Sheet (English)
	W11050318	Tech Sheet (French)
	W10857667	Use and Care Guide
	W11112991	Energy Guide
2	12961401	Tube, Water
3	12698403	Plate, Pivot
4	B5759655	Gasket
5		Cover, Top Hinge
		Left Hand
	W10337648	Grey
		Right Hand
	12962302AP	Grey
6		Cover, Fill Tube
	12981401AP	Grey
7	12961602	Cover, Control Box
8	M0108107	Clamp, Tube

<u>Illus. No.</u>	<u>Part No.</u>	<u>Description</u>
9	12992602	Screw
10		Hinge, Top
	12963204ED	Left Hand
	12963205ED	Right Hand
11	W10673840	Screw (Stainless)
12	12990511	Screw
13	W10141622	Brake, Roller
14	12992403	Screw
15		Hinge, Center
		Left Hand
	W10740150	Grey
		Right Hand
	W10740146	Grey
16	W10270394	Cover, Unit
17		Cover, Corner
	12587703AP	Grey
18	W10914798	Gasket, Control Box
19	W10867574	Control, Electronic

<u>Illus. No.</u>	<u>Part No.</u>	<u>Description</u>
20	W10709365	Screw
21		Shim, Top Hinge
	12999501	Left Hand
	12999502	Right Hand
22		Grille, Toe
	W10534155	Grey
23	W10296541	Lid, HV Control Box
24	W10658542	Block, Fill Tube
25	12990702	Screw
26		Cabinet (Not A Servicable Part)
27		Assembly, Roller
	W10515763	Left Hand
	W10515762	Right Hand
28	688983	Screw
29	M0104106	Clip, Cord

REFRIGERADOR MFI2570FEZ03



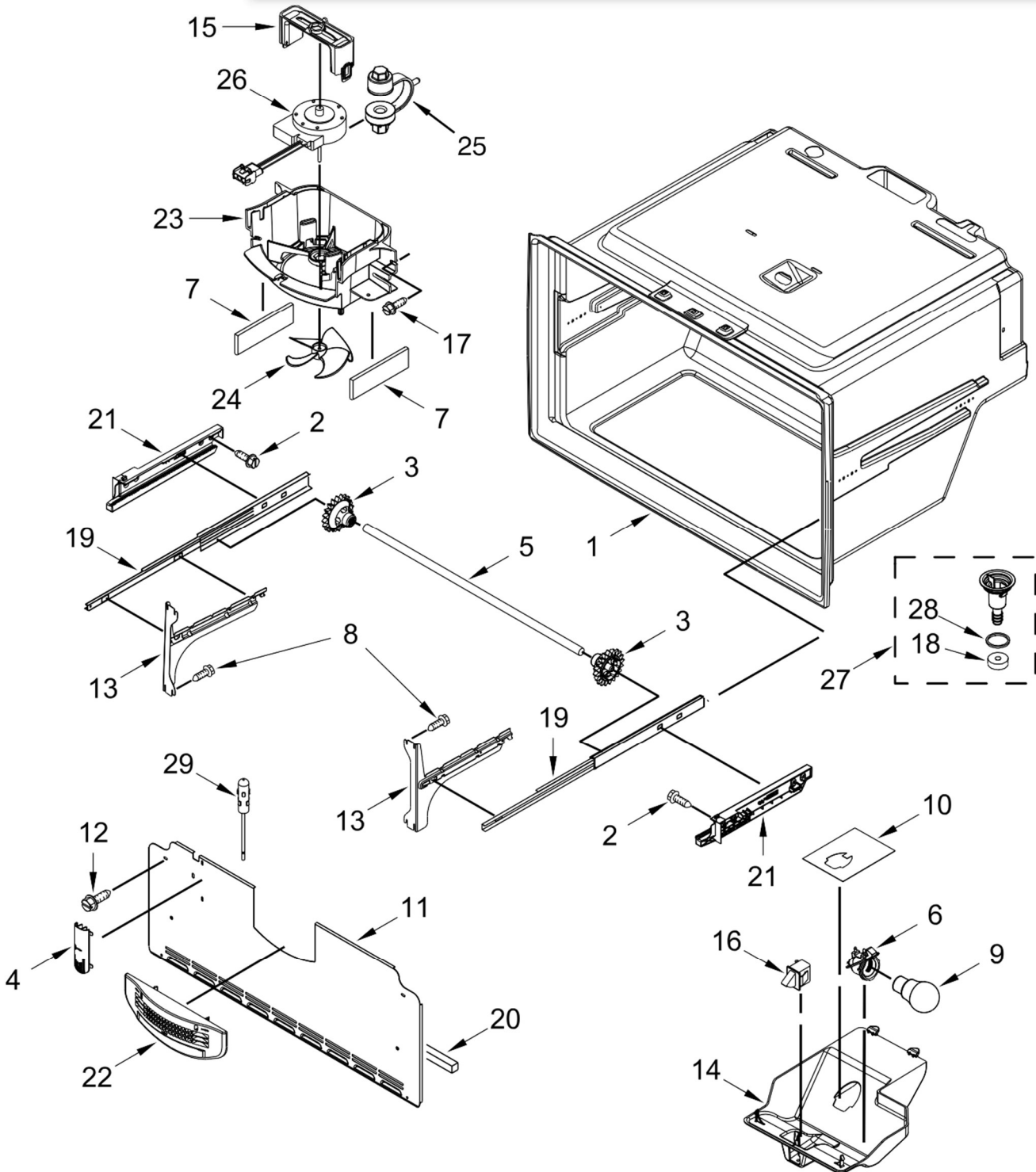
REFRIGERADOR MFI2570FEZ03

<u>Illus. No.</u>	<u>Part No.</u>	<u>Description</u>
1		Liner (Not A Serviceable Part)
2	W10632157	Housing, Refrigerator LED
3	W10118194	Lid, Enclosure
4	W10118193	Enclosure, Water Valve Connector
5	W10555984	Assembly, Air Grille
6	12466103	Switch, Rocker
7	3400065	Screw (Stainless)

<u>Illus. No.</u>	<u>Part No.</u>	<u>Description</u>
8	W10309869	Cover, Wiring
9	W10311756	Lens, Refrigerator LED
10	W10866538	Module, LED Light
11	12960101	Cover, Upper Water Tank
12	12960301	Cover, Filter
13	12960001	Cover, Lower Water Tank
14	W10735404	Filter, Water

<u>Illus. No.</u>	<u>Part No.</u>	<u>Description</u>
15	12955901	Bracket, Filter Base
16	W10444033	Tube, Water
17	W10334463	Bracket, Water Tank and Valve
18	W10657242	Assembly, Water Tank and Head (Includes Bypass Cartridge)
19	12664501SP	Cartridge, Bypass
20	W10913947	Valve, Water Inlet

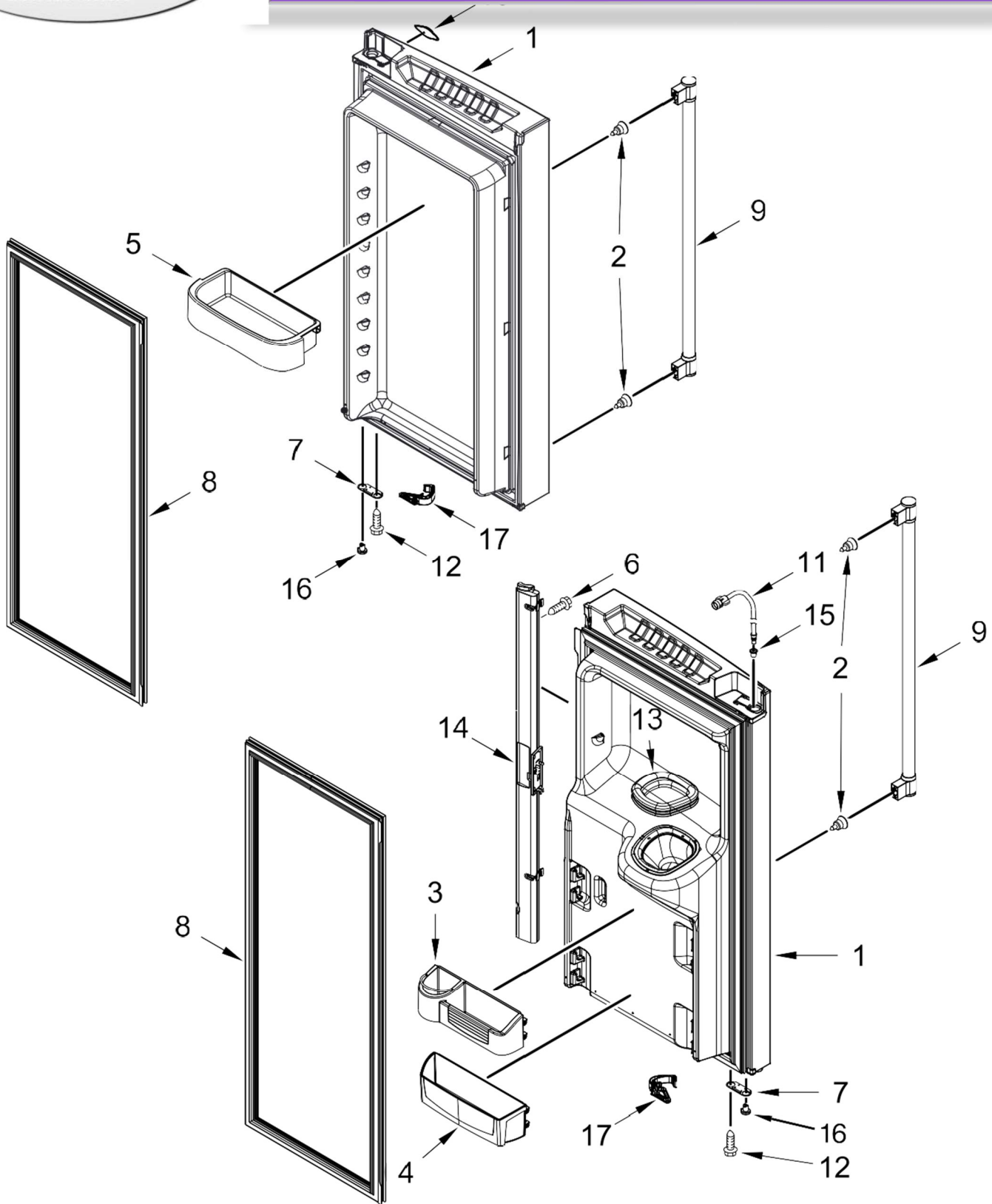
REFRIGERADOR MFI2570FEZ03



REFRIGERADOR MFI2570FEZ03

<u>Illus. No.</u>	<u>Part No.</u>	<u>Description</u>	<u>Illus. No.</u>	<u>Part No.</u>	<u>Description</u>	<u>Illus. No.</u>	<u>Part No.</u>	<u>Description</u>
1		Liner (Not A Serviceable Part)	13		Bracket, Door Slide	23	12951401	Shroud, Evaporator
2	12990501	Screw		W10330991	Left Hand	24	12986101	Blade, Fan
				W10330993	Right Hand	25	12951101	Grommet, Fan Motor
3	12002497	Gear	14	W10315248	Module, Light	26	W10276647	Motor, Evaporator (Includes Heater Harness, Defrost Thermostat and Thermistor)
4	12815301	Cover, Thermistor	15	12956601	Clip, Fan Motor			
5	W10802332	Shaft, Rack	16	12466111SP	Switch, Light			
6	12570701	Socket, Light	17	12990504	Screw			
7	A3189392	Gasket, Foam	18	B8381501	Gasket, Drain			
8	12990521	Screw	19	W10120018	Slide, Door	27	W10662407	Assembly, Drain Funnel
9	W10805744	Lamp, Led	20	A3189396	Gasket	28	M0500703	Seal
10	W10277466	Foil, Housing	21		Adapter, Side	29	12791417SP	Thermistor
11	W10308421	Cover, Evaporator		W10284682	Left Hand			
12	12990511	Screw		W10284683	Right Hand			
			22	12959901	Grille, Air			

REFRIGERADOR MFI2570FEZ03



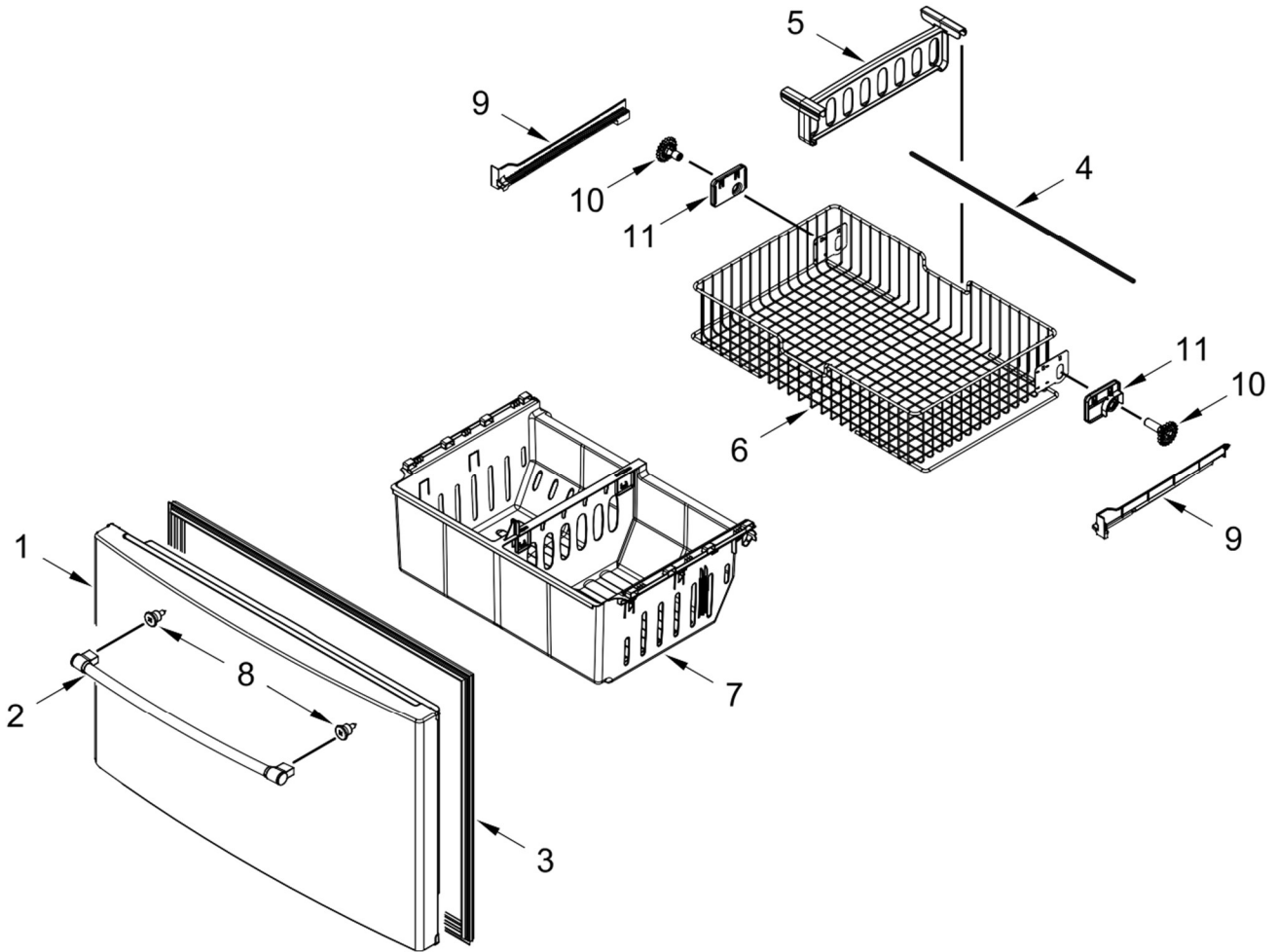
REFRIGERADOR MFI2570FEZ03

<u>Illus. No.</u>	<u>Part No.</u>	<u>Description</u>
1		Door, Refrigerator
		Left Hand
	W10890279	Stainless
		Right Hand
	W10889706	Stainless
2	W10460893	Screw
3	W10323808	Bucket, Upper
4	W10212139	Bucket, Small
5	W10224961	Bucket, Gallon
6	12990204	Screw
7		Stop, Door
	12968202AP	Grey

<u>Illus. No.</u>	<u>Part No.</u>	<u>Description</u>
8		Gasket, Door
	W10830055	Grey
9		Handle, Door
	W10838130	Stainless
10	W10612926	Badge
11	W10511930	Waterline, Door
12	12990521	Screw
13	W10287601	Seal, Ice Chute
14		Mullion, Door
	12722815AP	Grey
15	12996601	Clip, Bushing

<u>Illus. No.</u>	<u>Part No.</u>	<u>Description</u>
16		Closure, Door
	12028505AP	Grey
17		Latch, Door Closer
		Left Hand
	W10833741	Grey
		Right Hand
	W10833739	Grey

REFRIGERADOR MFI2570FEZ03



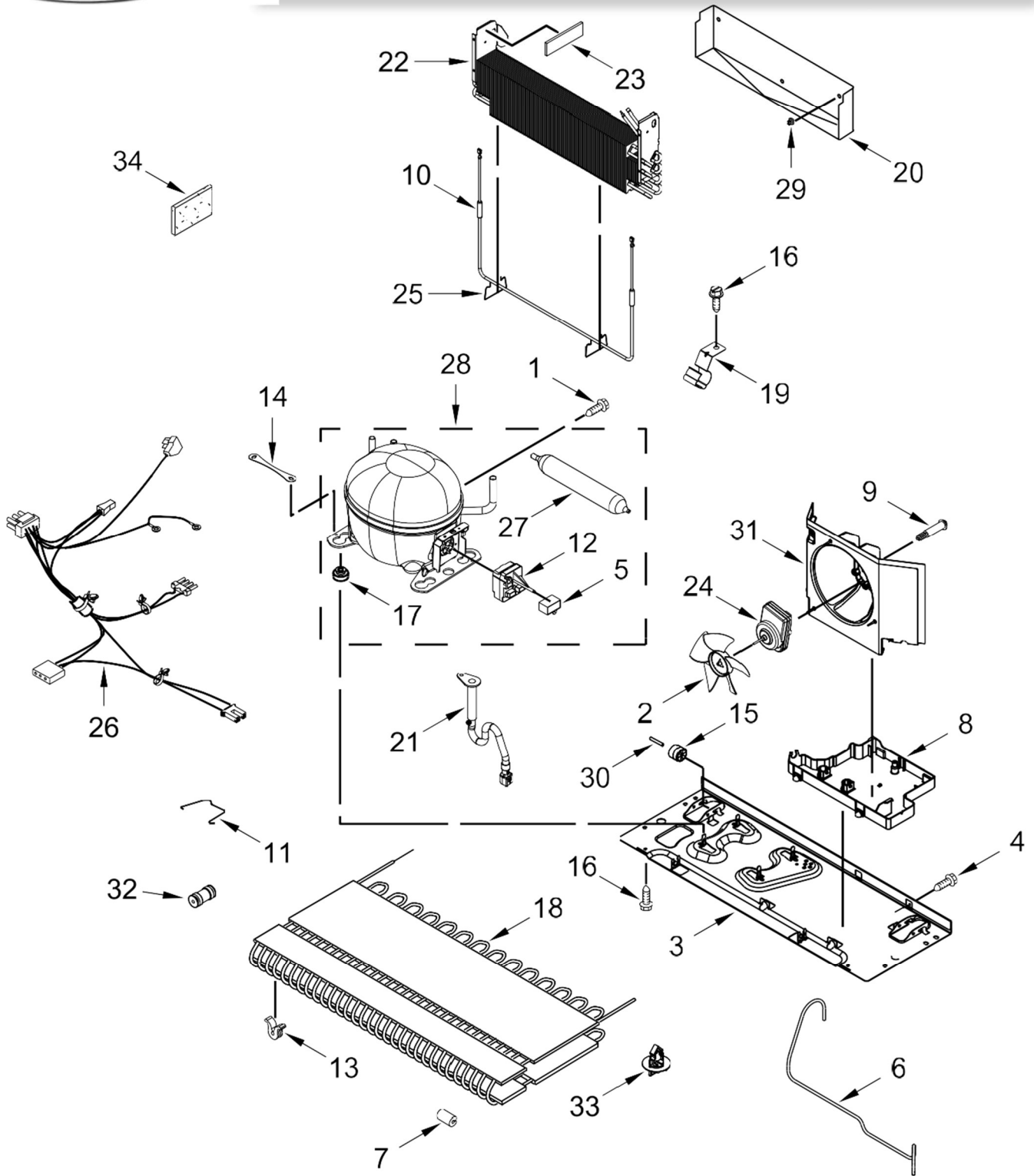
REFRIGERADOR MFI2570FEZ03

<u>Illus. No.</u>	<u>Part No.</u>	<u>Description</u>
1		Door, Freezer
	W10890611	Stainless
2		Handle, Door
	W10838132	Stainless
3		Gasket, Door
	W10714545	Grey
4	W10802333	Shaft, Rack

<u>Illus. No.</u>	<u>Part No.</u>	<u>Description</u>
5	W10146439	Divider, Upper Basket
6	W10348249	Basket, Upper
7	W10293682	Bin, Lower
8	W10460893	Screw
9		Rack, Side
	W10516603	Left Hand
	W10516602	Right Hand

<u>Illus. No.</u>	<u>Part No.</u>	<u>Description</u>
10		Spur, Gear
	W10474716	Left Hand
	W10474715	Right Hand
11		Mount, Gear
	W10348259	Left Hand
	W10348260	Right Hand

REFRIGERADOR MF12570FEZ03



REFRIGERADOR MFI2570FEZ03

Illus.
No. Part No. Description

1	12992301	Screw
2	12825803	Blade, Fan
3	W10480111	Basepan
4	12990511	Screw
5	W10350564	Capacitor
6	W10795418	Tube, Discharge
7	2319835	Grommet, Condenser
8	W10655368	Pan, Drain
9	W10622701	Screw
10	12729123	Heater, Defrost
11	W10216075	Strap, Bale
12	W10798748	Device, Start
13	W10137529	Grommet, Condenser
14	W10236396	Strap, Compressor
15	12477102	Roller
16	12992101	Screw
17	W10806346	Grommet, Compressor

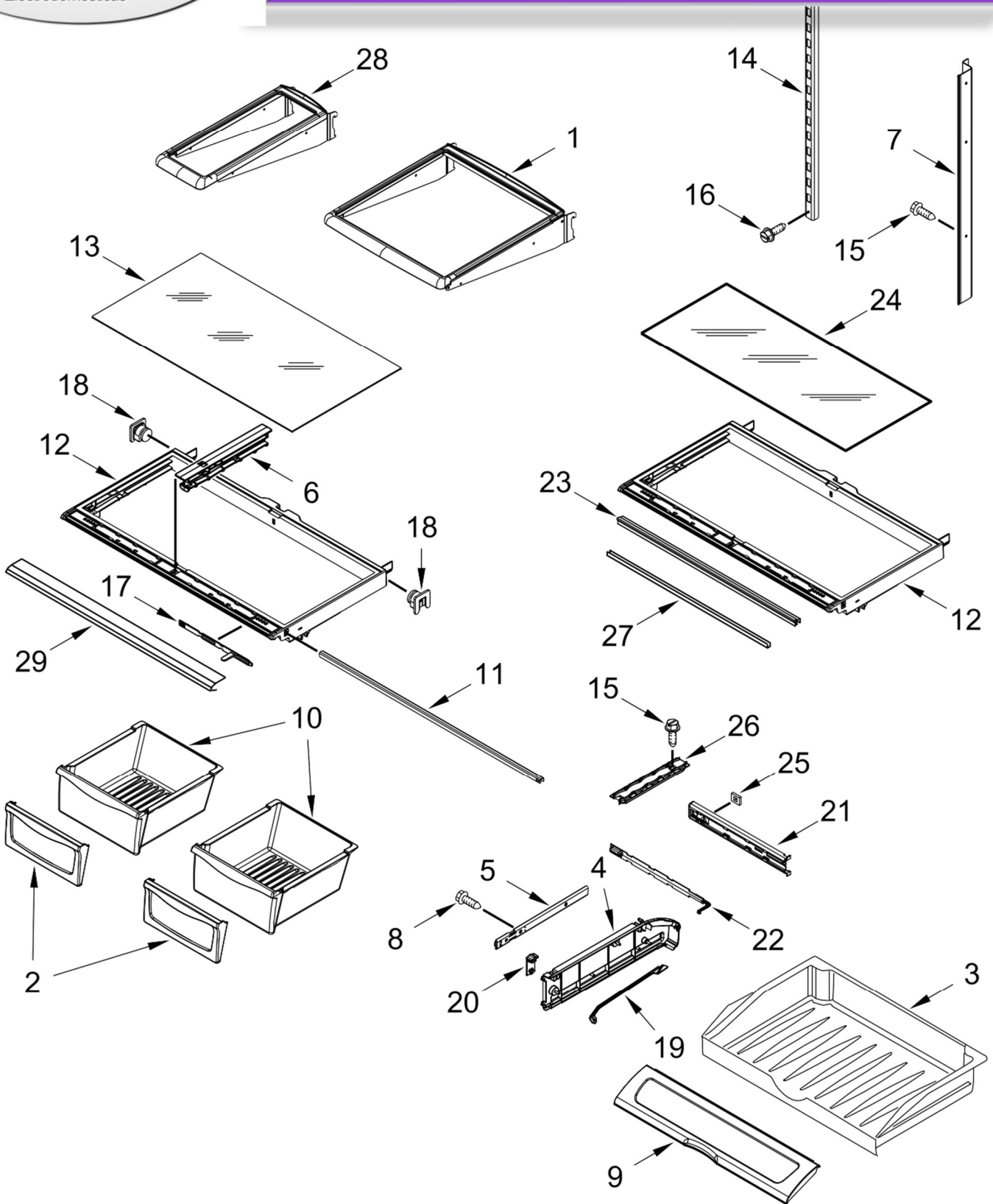
Illus.
No. Part No. Description

18	W10346415	Condenser
19	W10281329	Clip, Drier
20	W10292803	Tray, Drip
21	W10622099	Extension, Drain Tube
22	W10313899	Evaporator
23	A3189397	Gasket, Foam
24	W10909377	Motor, Condenser Fan
25	10428101	Clip, Heater
26	W10679214	Harness, Unit (Includes Power Cord)
27	W10177049	Drier
28	W11100924	Compressor
29	10623002	Clip, Evaporator
30	12477202	Axle, Roller
31	W10189184	Shroud, Condenser Fan
32	W10334458	Connector, Water Tube

Illus.
No. Part No. Description

33	W10815863	Clip, Condenser
34	2169104	Sealer, Insulation
FOLLOWING PARTS NOT ILLUSTRATED		
	978025	Valve, Access (1/4")
	978026	Valve, Access (5/16")
	978027	Valve, Access (3/8")
	978029	Valve, Access (5/8")
	978030	Valve, Access (3/4")
	876764	Valve, Access (3/16")
REFRIGERANT CHARGE		
		4.50 oz. (R-134A)

REFRIGERADOR MFI2570FEZ03



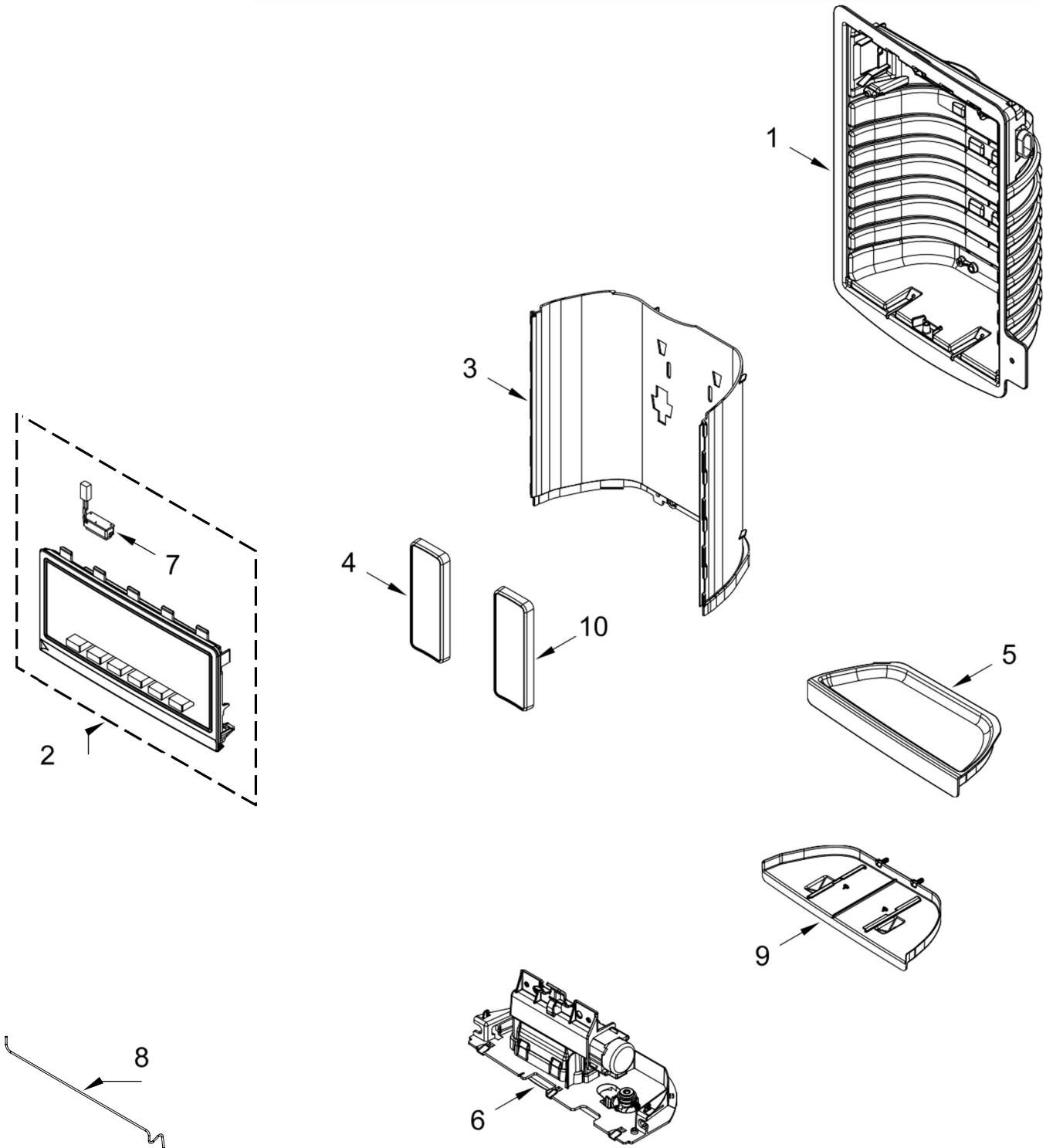
REFRIGERADOR MFI2570FEZ03

<u>Illus. No.</u>	<u>Part No.</u>	<u>Description</u>
1	12883507	Shelf, Glide Out
2	12643802SP	Frame, Crisper Pan
3	12731302	Drawer, Pantry
4		Endcap, Pantry
	W10845509	Left Hand
	W10845508	Right Hand
5	W10235370	Glide, Pantry
6	W10326469N	Rail, Center Crisper
7		Ladder, Side
	W10251966	Left Hand
	W10251965	Right Hand
8	12990504	Screw

<u>Illus. No.</u>	<u>Part No.</u>	<u>Description</u>
9	12656813	Lid, Pantry
10	12804601SP	Pan, Crisper
11	12642303WD	Brace, Crisper Cover
12	W10329866	Frame, Crisper
13	12204824N	Glass, Shelf
14	W10273464	Ladder, Center
15	12990513	Screw
16	12990512	Screw
17	12530805SP	Slide, Humidity Control
18	13062602	Support, Crisper Frame
19	12655304	Bar, Control

<u>Illus. No.</u>	<u>Part No.</u>	<u>Description</u>
20	12655204	Knob, Temperature Control
21	12656202	Housing, Control
22	12655402	Slide, Temperature Control
23	W10528935	Support, Glass
24	W10893772	Glass, Shelf
25	12656901	Gasket, Pantry
26	12531901	Track, Deli Drawer
27	12227305WH	Brace, Pantry
28	12885501	Shelf, Mini Stationary
29	W10313178N	Trim, Crisper

REFRIGERADOR MFI2570FEZ03



Distribuidor Autorizado

SurteRápido.com

Venta de Refacciones
Electrodomesticas



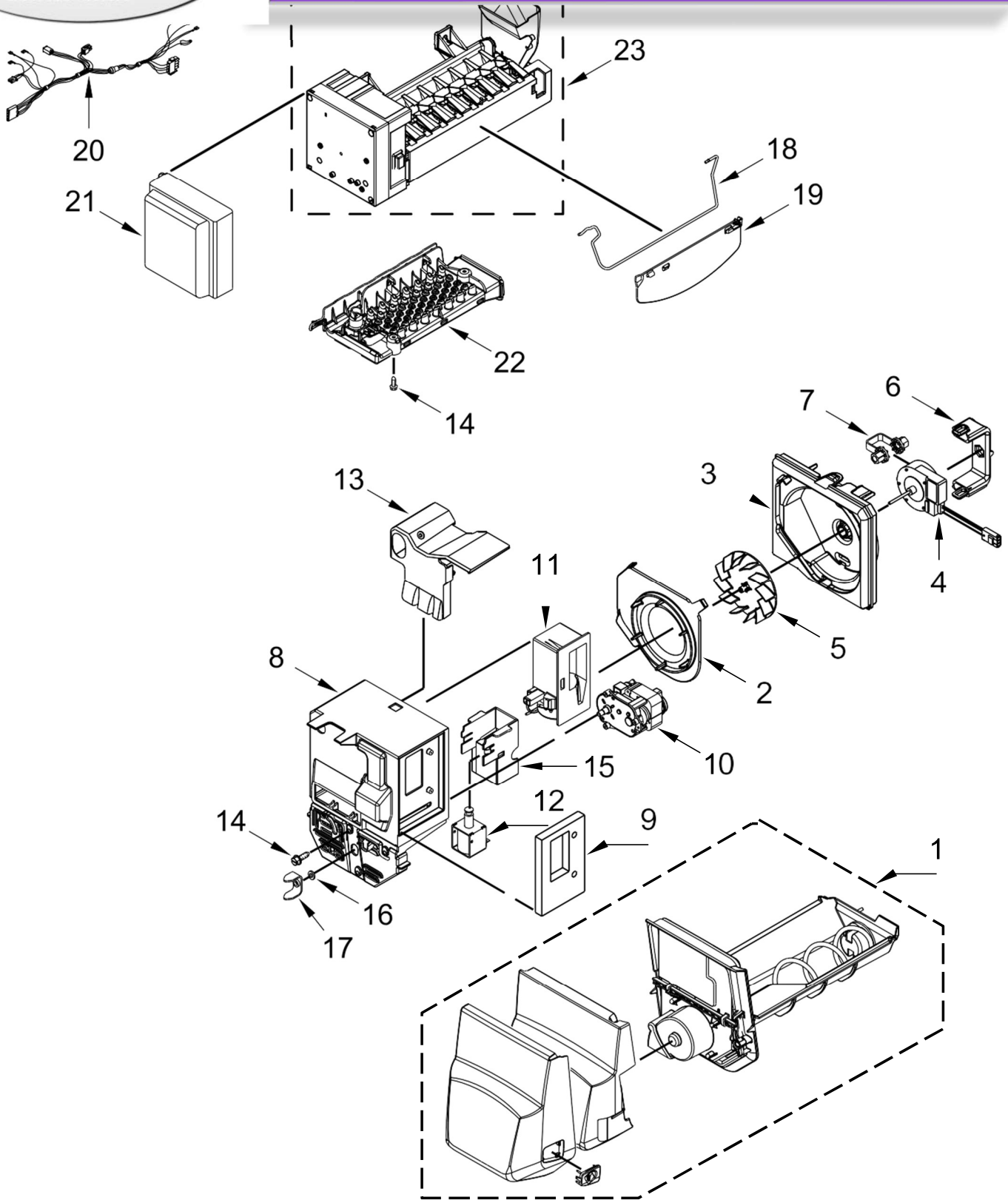
REFRIGERADOR MFI2570FEZ03

<u>Illus.</u> <u>No.</u>	<u>Part No.</u>	<u>Description</u>
1		Housing, Dispenser (Not Serviced)
2	W11106025	Assembly, User Interface
3		Wall, Dispenser False
	W11045978	Nickel

<u>Illus.</u> <u>No.</u>	<u>Part No.</u>	<u>Description</u>
4		Assembly, Ice Pad
	W10334801	Grey
5		Tray, Dispenser
	W11045973	Nickel
6	W10353552	Assembly, Separator
7	W10238083	Assembly, LED

<u>Illus.</u> <u>No.</u>	<u>Part No.</u>	<u>Description</u>
8	W10511930	Waterline, Door
9		Tray, Dispenser Slide
	W10267863	Grey
10		Assembly, Water Pad
	W10334825	Grey

REFRIGERADOR MFI2570FEZ03



REFRIGERADOR MFI2570FEZ03

Illus.
No. Part No. Description

1	W10562191	Assembly, Ice Bin
2	W10121282	Inlet, Blower
3	W10309863	Scroll, Blower
4	W10308033	Motor, Fan
5	W10123444	Wheel, Blower
6	12956603	Clip, Fan Motor
7	W10151687	Grommet, Fan Motor
8	W10309864	Divider, Ice Box
9	12920001	Gasket, Damper

Illus.
No. Part No. Description

10	W10317991	Motor, Dispenser
11	W10196393	Damper, Control
12	W10309866	Assembly, Solenoid
13	W10118612	Liner, Divider
14	12990511	Screw
15	W10346971	Bracket, Solenoid
16	W10465946	Washer
17	63052A001	Yoke, Ice Dispenser
18	W10175514	Arm, Shutoff

Illus.
No. Part No. Description

19	W10351019	Extension, Shutoff Arm
20	W10826037	Harness, Icemaker
21	W10290556	Cover
22	W10312691	Assembly, Impinger
23	W10300024	Assembly, Icemaker (Complete)

OPTIONAL PARTS

PAINT, TOUCH-UP (1/2OZ.)

Illus.

<u>No.</u>	<u>Part No.</u>	<u>Description</u>
	72017	White
	72032	Black
	W10917540	Midnight Grey
	511873	White Porcelain (2 oz.)
	4392899	Biscuit/Bisque

PAINT, PRESSURIZED SPRAY (12 OZ.)

Illus.

<u>No.</u>	<u>Part No.</u>	<u>Description</u>
	350930	White
	350939	Enamel, Black
	285006	Black
	350942	White Primer
	4392901	Biscuit/Bisque

PAINT, BULK (1 QT.)

Illus.

<u>No.</u>	<u>Part No.</u>	<u>Description</u>
	799344	White (Uncut)

MISCELLANEOUS

Illus.

<u>No.</u>	<u>Part No.</u>	<u>Description</u>
	212643	Sealer, Gum (4 Feet)
	479502	Tape, Vinyl (3/4 x 108")
	876370	Insulation (2 Pieces, 3" x 24" x 48")
	876305	Insulation Kit (14 Pieces, 3" x 24" x 48")
	978941	Insulation, Fiberglass (63 1/2" x 35 1/2" x 2 5/8")
	876029	Kit, Foam Slab (30" x 32 1/2" x 1 1/2")
	505587	Sealer, Mastic (1 Qt)
	503695	Cork, Sealer
	20000008	Cleaner, Stainless Steel
	542638	Grease, Silicone (1/2 Oz.)
	542639	Cement, Alumilastic (1 1/4 Oz.)
	833938	Kit, Terminal Connector
	8003RP	Kit, Water Inlet
	F2WC9I1	Water Filter

TORX SCREW WRENCH

Illus.

<u>No.</u>	<u>Part No.</u>	<u>Description</u>
	1117510	Torx Key