

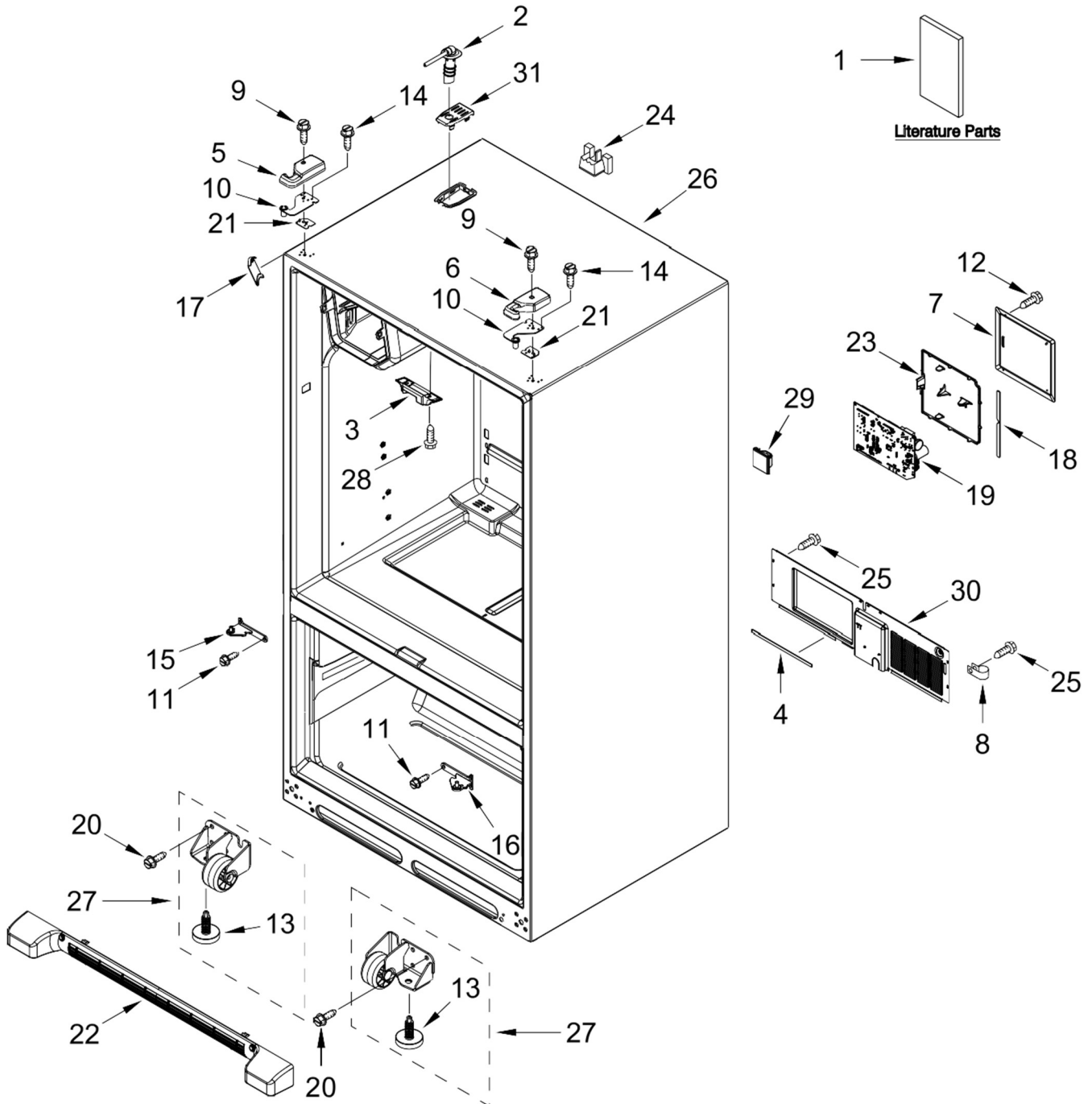


FRENCH DOOR BOTTOM MOUNT REFRIGERATOR
Print Resistant

MODELS:

MF12570FEZ09 (Stainless Steel)

REFRIGERADOR MFI2570FEZ09



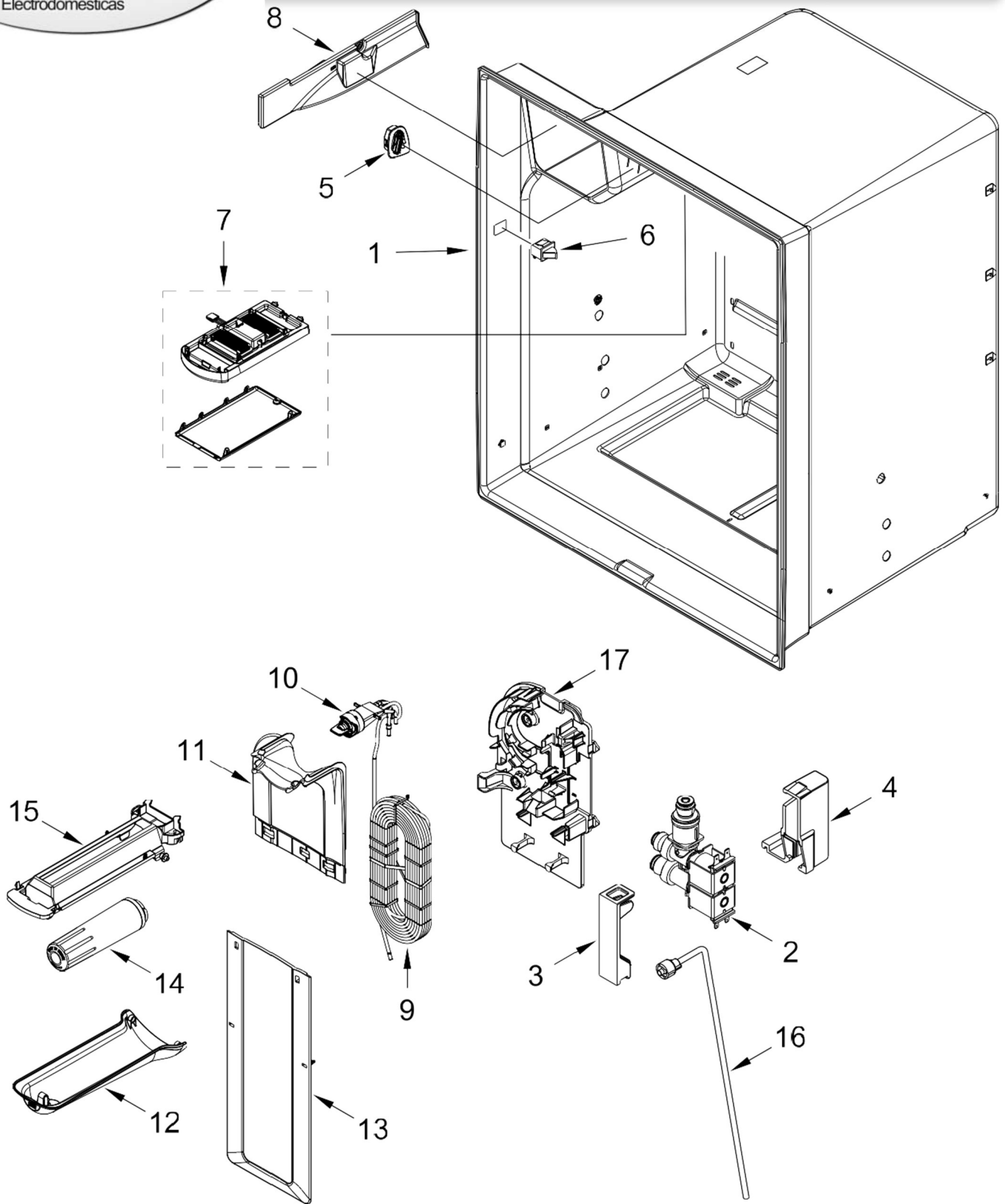
REFRIGERADOR MFI2570FEZ09

<u>Illus. No.</u>	<u>Part No.</u>	<u>Description</u>
1		Literature Parts
	W11050317	Tech Sheet (English)
	W11050318	Tech Sheet (French)
	W11298867	Use and Care Guide
	W11308952	Energy Guide
2	W11232485	Tube, Water
3	12698403	Plate, Pivot
4	W11250029	Gasket
5		Cover, Top Hinge (Includes Foil) Left Hand
	W10337648	Grey
6		Cover, Top Hinge Right Hand
	12962302AP	Grey
7	12961602	Cover, Control Box
8	M0108107	Clamp, Tube
9	12992602	Screw

<u>Illus. No.</u>	<u>Part No.</u>	<u>Description</u>
10		Hinge, Top
	12963204ED	Left Hand
	12963205ED	Right Hand
11	W10673840	Screw (Stainless)
12	12990702	Screw
21		Top Hinge
	12999501	Left Hand
	12999502	Right Hand
22		Grille, Toe
	W10534155	Grey
13	W10141622	Brake, Roller
14	12992403	Screw
15		Hinge, Center Left Hand
	W10740150	Grey
16		Hinge, Center Right Hand
	W10740146	Grey
17		Cover, Corner
	12587703AP	Grey
18	W10914798	Gasket, Control Box
19	W11176613	Control, Electronic
20	W10709365	Screw

<u>Illus. No.</u>	<u>Part No.</u>	<u>Description</u>
23	W10296541	Lid, HV Control Box
24	W10658542	Block, Fill Tube
25	W10141645	Screw
26		Cabinet (Not A Serviceable Part)
27		Assembly, Roller
	W10515763	Left Hand
	W10515762	Right Hand
28	688983	Screw
29	M0104106	Clip, Cord
30	W10270394	Cover, Unit
31		Cover, Fill Tube
	12981401AP	Grey

REFRIGERADOR MFI2570FEZ09



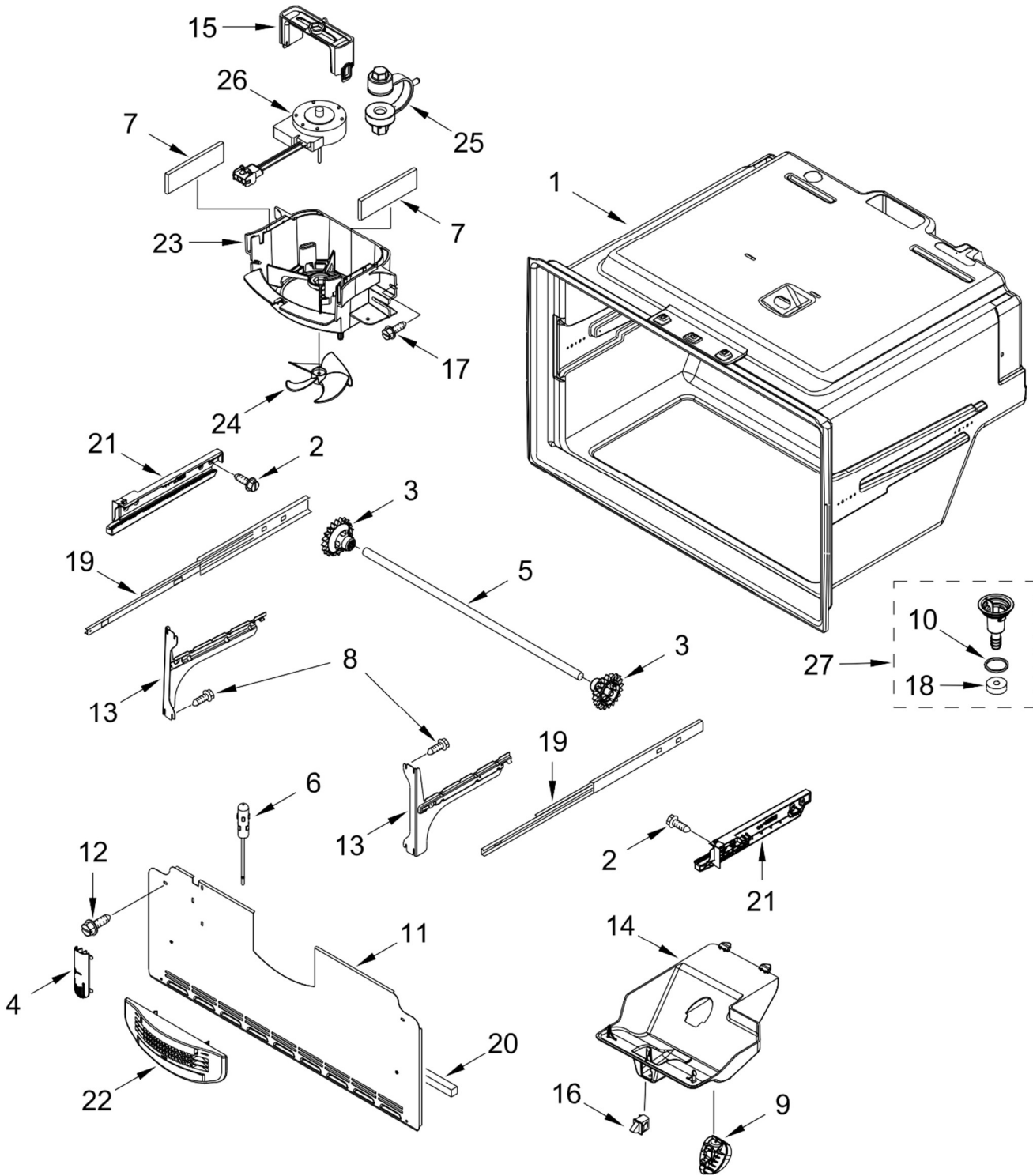
REFRIGERADOR MFI2570FEZ09

<u>Illus. No.</u>	<u>Part No.</u>	<u>Description</u>
1		Liner (Not A Serviceable Part)
2	W10913947	Valve, Water Inlet
3	W10118194	Lid, Enclosure
4	W10118193	Enclosure, Water Valve Connector
5	W10555984	Assembly, Air Grille (Includes Damper Seal)
6	W10847848	Switch, Rocker

<u>Illus. No.</u>	<u>Part No.</u>	<u>Description</u>
7	W11387579	Assembly, Upper Light (Includes LED Module and Lens)
8	W10309869	Cover, Wiring
9	W11308017	Assembly, Water Tank and Head (Includes Bypass Cartridge)
10	12664501SP	Cartridge, Bypass
11	12960101	Cover, Upper Water Tank
12	12960301	Cover, Filter

<u>Illus. No.</u>	<u>Part No.</u>	<u>Description</u>
13	12960001	Cover, Lower Water Tank
14	W11256384	Filter, Water
15	12955901	Bracket, Filter Base
16	W11367364	Tube, Water
17	W10334463	Bracket, Water Tank and Valve

REFRIGERADOR MFI2570FEZ09



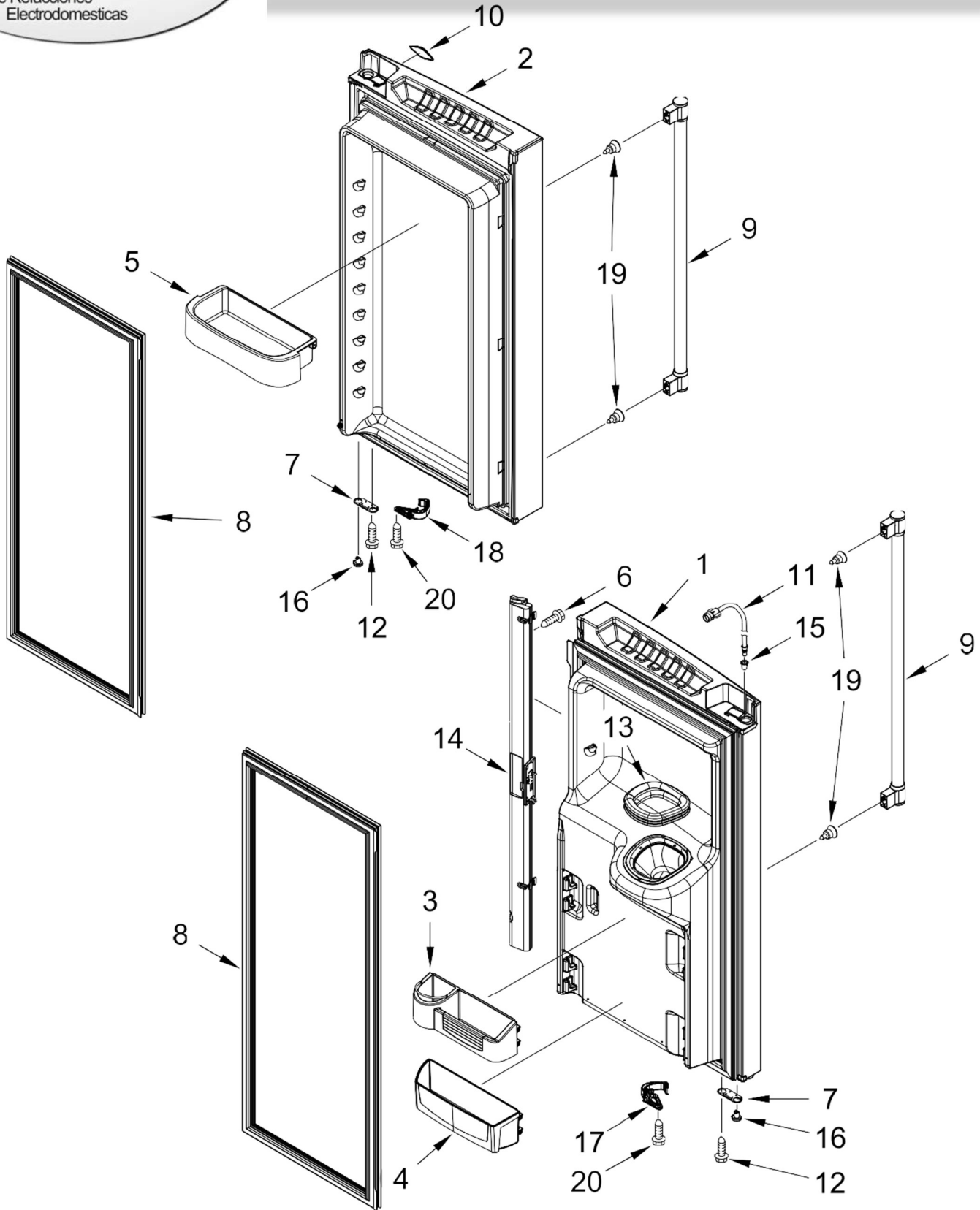
REFRIGERADOR MFI2570FEZ09

<u>Illus. No.</u>	<u>Part No.</u>	<u>Description</u>
1		Liner (Not A Serviceable Part)
2	12990501	Screw
3	12002497	Gear
4	12815301	Cover, Thermistor
5	W10802332	Shaft, Rack
6	12791417SP	Thermistor
7	A3189392	Gasket, Foam
8	12990521	Screw
9	W11251749	Light Module, LED
10	M0500703	Seal
11	W10308421	Cover, Evaporator
12	12990511	Screw

<u>Illus. No.</u>	<u>Part No.</u>	<u>Description</u>
13		Bracket, Door Slide
	W10330991	Left Hand
	W10330993	Right Hand
14	W11328652	Module, Light
15	12956601	Clip, Fan Motor
16	W11385734	Switch, Light
17	12990504	Screw
18	B8381501	Gasket, Drain
19	W10860513	Slide, Door
20	A3189396	Gasket
21		Adapter, Side
	W10284682	Left Hand
	W10284683	Right Hand
22	12959901	Grille, Air

<u>Illus. No.</u>	<u>Part No.</u>	<u>Description</u>
23	12951401	Shroud, Evaporator
24	12986101	Blade, Fan
25	W10905511	Grommet, Fan Motor
26	W11050039	Motor, Evaporator (Includes Heater Harness and Defrost Thermostat)
27	W10662407	Assembly, Drain Funnel

REFRIGERADOR MFI2570FEZ09



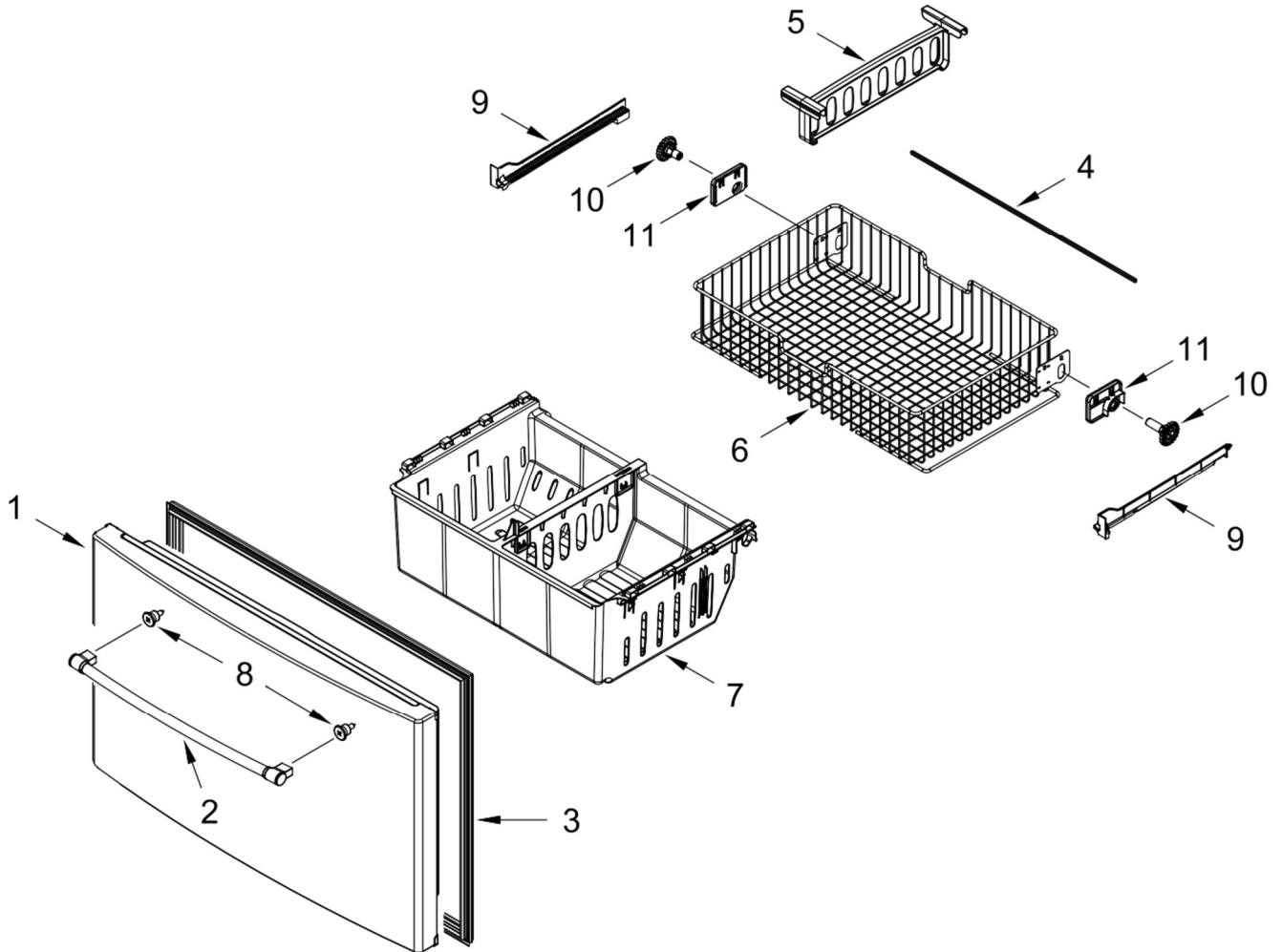
REFRIGERADOR MFI2570FEZ09

<u>Illus. No.</u>	<u>Part No.</u>	<u>Description</u>
1		Door, Refrigerator
		Left Hand
	W11377225	Stainless
2		Door, Refrigerator
		Right Hand
	W11377230	Stainless
3	W10323808	Bucket, Upper
4	W10212139	Bucket, Small
5	W10224961	Bucket, Gallon
6	12990204	Screw
7		Stop, Door
	12968202AP	Grey

<u>Illus. No.</u>	<u>Part No.</u>	<u>Description</u>
8		Gasket, Door
	W10830055	Grey
9		Handle, Door
	W10838130	Stainless
10	W10612926	Badge
11	W11431179	Waterline, Door
12	12990521	Screw
13	W10287601	Seal, Ice Chute
14		Mullion, Door
	12722815AP	Grey
15	12996601	Clip, Bushing
16		Closure, Door
	12028505AP	Grey

<u>Illus. No.</u>	<u>Part No.</u>	<u>Description</u>
17		Latch, Door Closer
		Left Hand
	W10833741	Grey
18		Latch, Door Closer
		Right Hand
	W10833739	Grey
19	W11328753	Screw
20	12990518	Screw

REFRIGERADOR MFI2570FEZ09



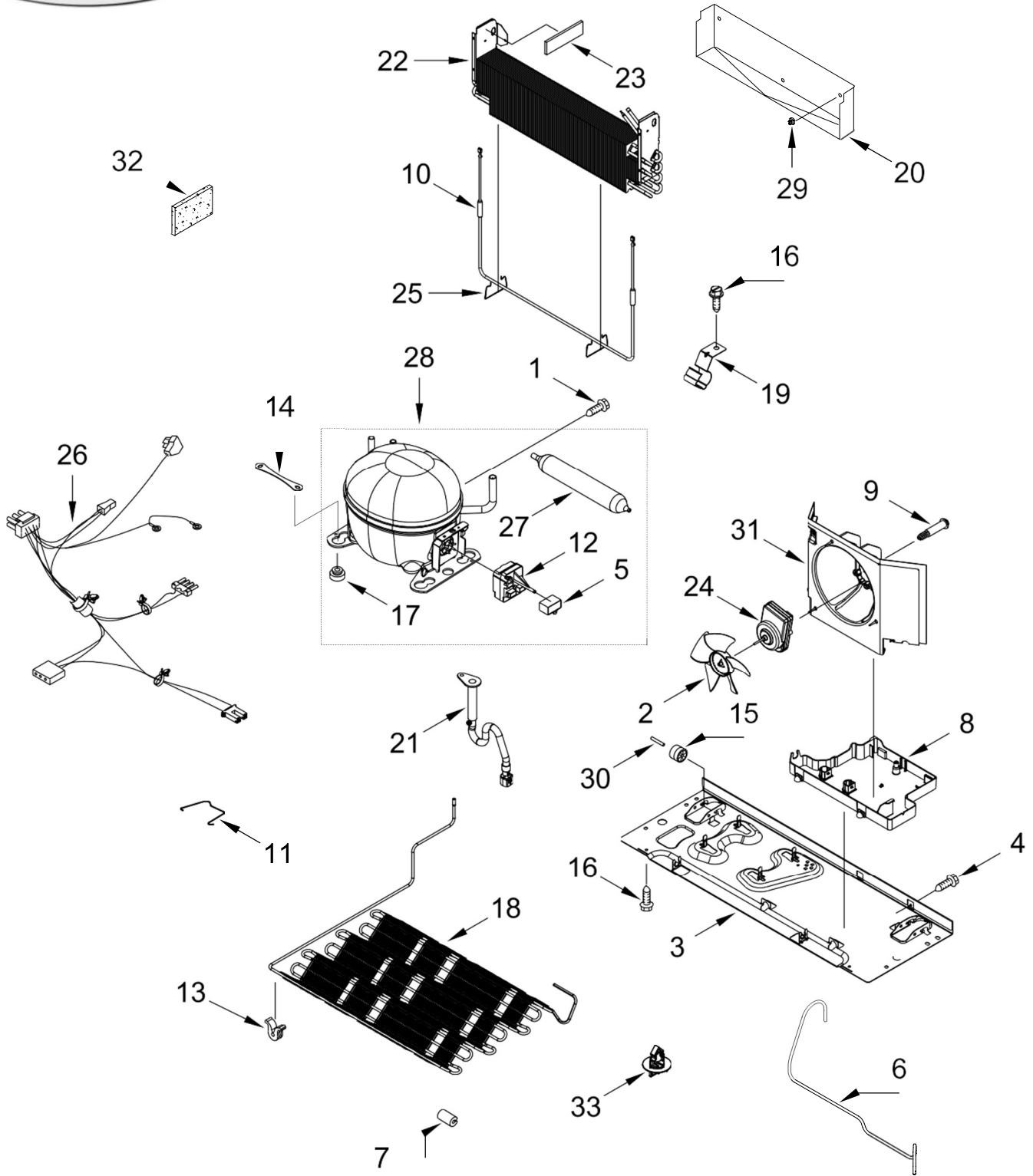
REFRIGERADOR MFI2570FEZ09

<u>Illus. No.</u>	<u>Part No.</u>	<u>Description</u>
1		Door, Freezer
	W11377220	Stainless
2		Handle, Door
	W10838132	Stainless
3		Gasket, Door
	W10714545	Grey
4	W10802333	Shaft, Rack

<u>Illus. No.</u>	<u>Part No.</u>	<u>Description</u>
5	W10146439	Divider, Upper Basket
6	W11115237	Basket, Upper
7	W10293682	Bin, Lower
8	W11328753	Screw
9		Rack, Side
	W11309374	Left Hand
	W11309377	Right Hand

<u>Illus. No.</u>	<u>Part No.</u>	<u>Description</u>
10		Spur, Gear
	W10474716	Left Hand
	W10474715	Right Hand
11		Mount, Gear
	W10348259	Left Hand
	W10348260	Right Hand

REFRIGERADOR MFI2570FEZ09



REFRIGERADOR MFI2570FEZ09

Illus.
No. Part No. Description

1	12992301	Screw
2	12825803	Blade, Fan
3	W10480111	Basepan
4	12990511	Screw
5	W10350564	Capacitor
6	W11370275	Tube, Discharge
7	2319835	Grommet, Condenser
8	W10655368	Pan, Drain
9	W10622701	Screw
10	12729123	Heater, Defrost
11	W10216075	Strap, Bale
12	W10796752	Device, Start
13	W10137529	Grommet, Condenser
14	W10236396	Strap, Compressor
15	12477102	Roller
16	12992101	Screw

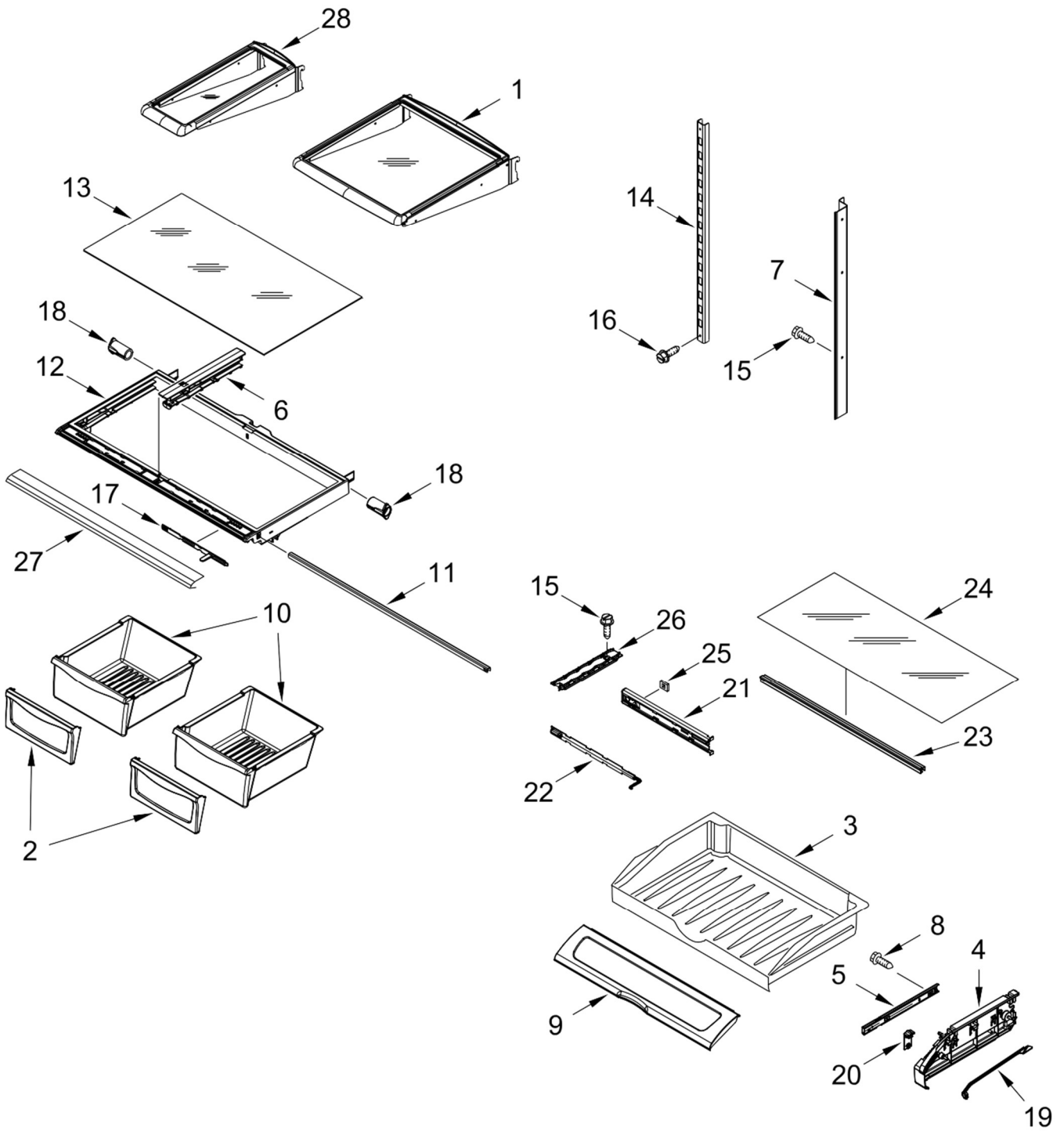
Illus.
No. Part No. Description

17	10835903	Grommet
18	W11353137	Condenser
19	W10281329	Clip, Drier
20	W10292803	Tray, Drip
21	W10622099	Extension, Drain Tube
22	W10313899	Evaporator
23	W11244122	Gasket, Foam
24	W11373924	Motor, Condenser Fan
25	10428101	Clip, Heater
26	W11239039	Harness, Unit (Includes Power Cord)
27	W10177049	Drier
28	W10879296	Compressor
29	10623002	Clip, Evaporator
30	12477202	Axle, Roller
31	W10189184	Shroud, Condenser Fan

Illus.
No. Part No. Description

32	2169104	Insulation, Sound Deadening
33	W10815863	Clip, Condenser
		FOLLOWING PARTS NOT ILLUSTRATED
	978025	Valve, Access (1/4")
	978026	Valve, Access (5/16")
	978027	Valve, Access (3/8")
	978029	Valve, Access (5/8")
	978030	Valve, Access (3/4")
	876764	Valve, Access (3/16")
		REFRIGERANT CHARGE
		4.50 oz. (R-134A)

REFRIGERADOR MFI2570FEZ09



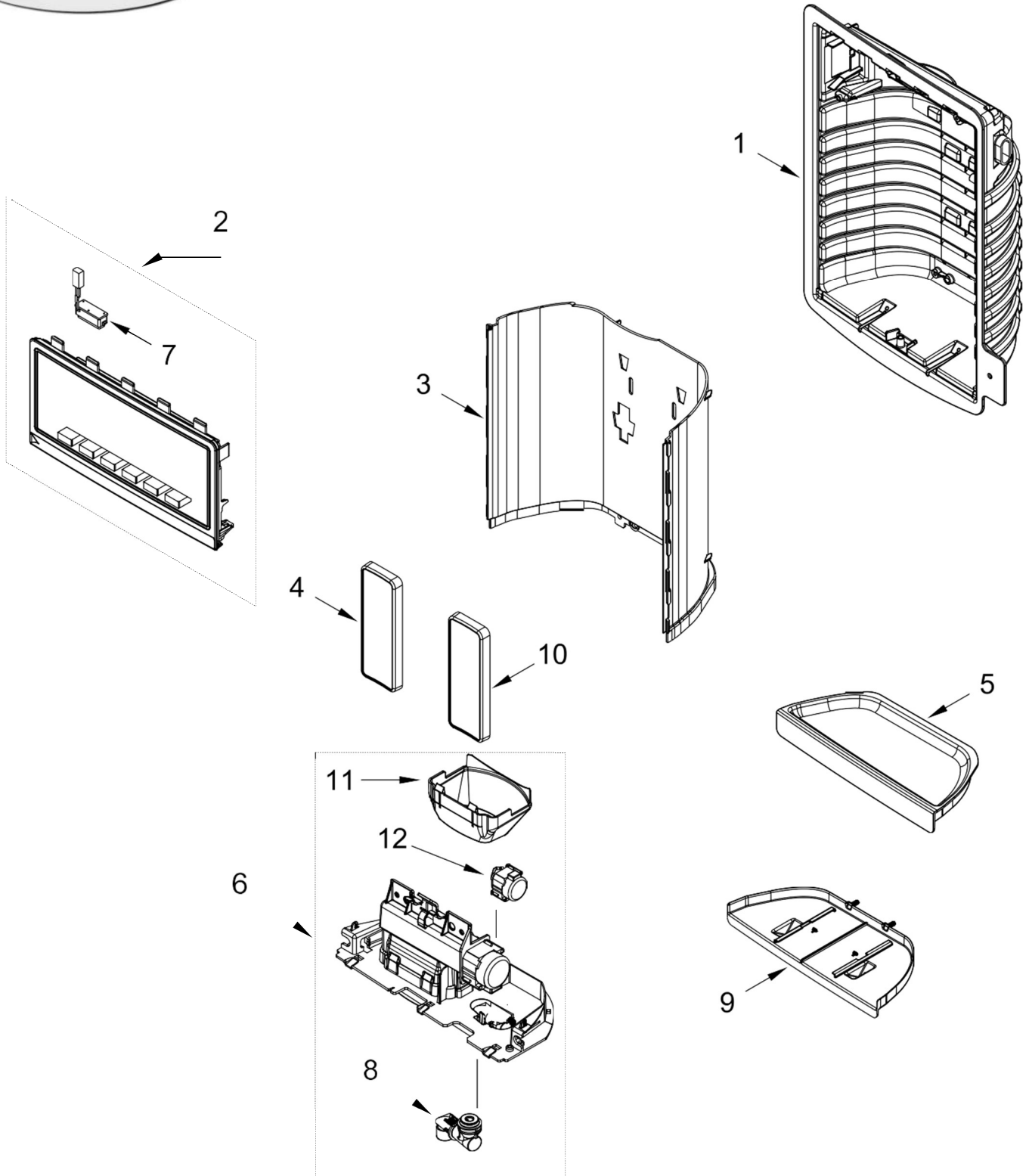
REFRIGERADOR MFI2570FEZ09

<u>Illus. No.</u>	<u>Part No.</u>	<u>Description</u>
1	W11358363	Shelf, Glide Out
2	12643802SP	Frame, Crisper Pan
3	12731302	Drawer, Pantry
4		Endcap, Pantry
	W10845509	Left Hand
	W10845508	Right Hand
5	W10235370	Glide, Pantry
6	W10326469N	Rail, Center Crisper
7		Ladder, Side
	W10251966	Left Hand
	W10251965	Right Hand
8	12990504	Screw
9	12656813	Lid, Pantry

<u>Illus. No.</u>	<u>Part No.</u>	<u>Description</u>
10	12804601SP	Pan, Crisper
11	12642303WD	Brace, Crisper Cover
12	W10329866	Frame, Crisper
13	12204824N	Glass, Shelf
14	W10273464	Ladder, Center
15	12990513	Screw
16	12990512	Screw
17	12530805SP	Slide, Humidity Control
18	13062602	Support, Crisper Frame
19	12655304	Bar, Control
20	12655204	Knob, Temperature Control

<u>Illus. No.</u>	<u>Part No.</u>	<u>Description</u>
21	12656202	Housing, Control
22	12655402	Slide, Temperature Control
23	W10528933	Support, Glass (Includes Pantry Brace)
24	W10893772	Glass, Shelf
25	12656901	Gasket, Pantry
26	12531901	Track, Deli Drawer
27	W10313178N	Trim, Crisper
28	12885501	Shelf, Mini Stationary

REFRIGERADOR MFI2570FEZ09

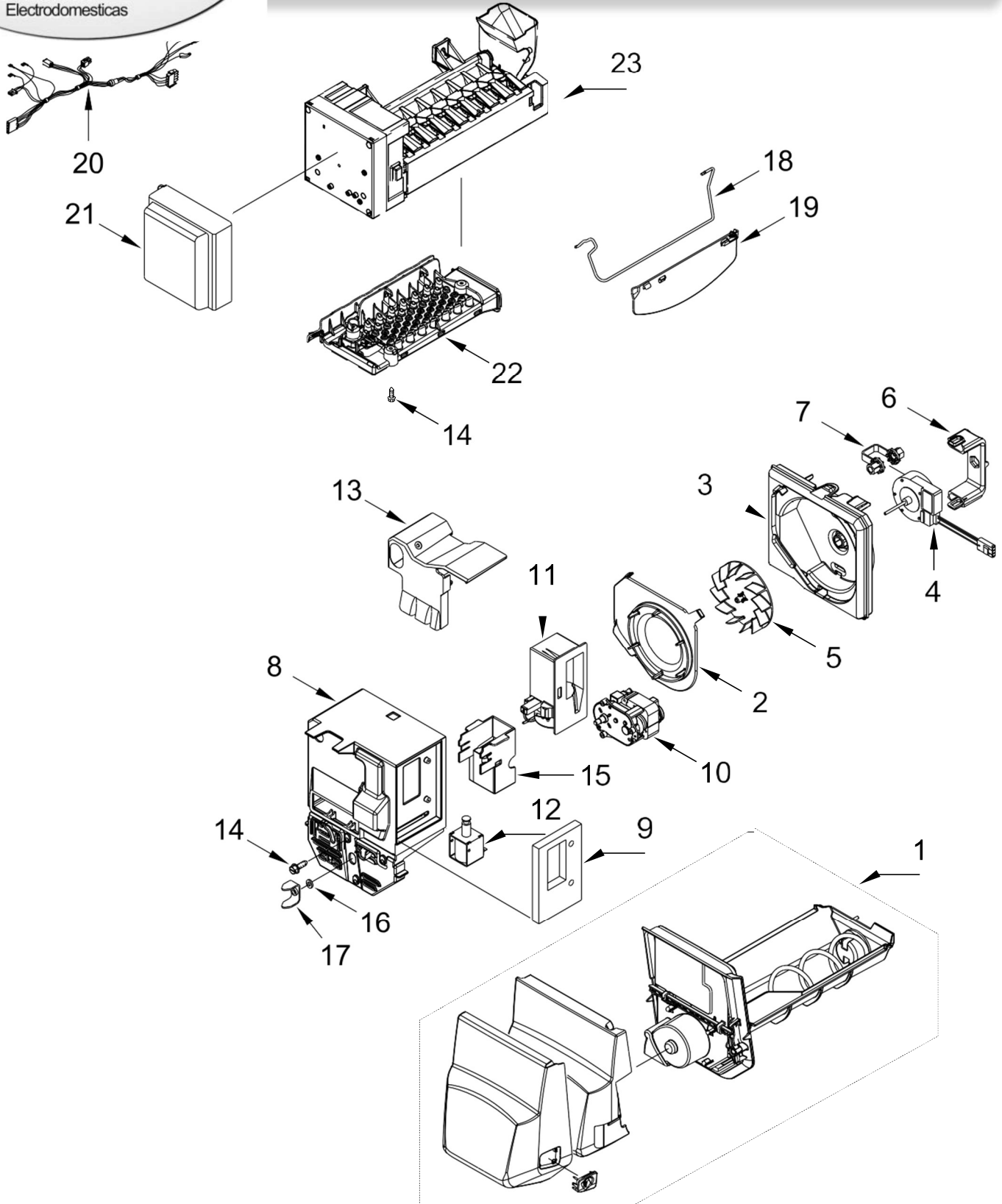


REFRIGERADOR MFI2570FEZ09

Illus.

<u>No.</u>	<u>Part No.</u>	<u>Description</u>
1		Housing, Dispenser (Not Serviced)
2	W11114472	Assembly, User Interface
3		Wall, Dispenser False
	W11045978	Nickel
4		Assembly, Ice Pad
	W10334801	Grey
5		ray, Dispenser
	W11045973	Nickel
6	W10353552	Assembly, Separator (Includes Spigot and Ice Guide)
7	W10238083	Assembly, LED
8	2316647	Assembly, Spigot Body
9		ray, Dispenser
	Slide W10267863	Grey
10		Assembly, Water Pad
	W10334825	Grey
11	W10339578	Guide, Ice
12	W10205979	Motor, Ice Door

REFRIGERADOR MFI2570FEZ09



REFRIGERADOR MFI2570FEZ09

Illus.
No. Part No. Description

1	W11097357	Assembly, Ice Bin
2	W10121282	Inlet, Blower
3	W10309863	Scroll, Blower
4	W11299369	Motor, Fan
5	W10123444	Wheel, Blower
6	12956603	Clip, Fan Motor
7	W10151687	Grommet, Fan Motor
8	W10309864	Divider, Ice Box
9	12920001	Gasket, Damper

Illus.
No. Part No. Description

10	W10884561	Motor, Dispenser
11	W10196393	Damper, Control
12	W10309866	Assembly, Solenoid
13	W10118612	Liner, Divider
14	12990511	Screw
15	W10346971	Bracket, Solenoid
16	W10465946	Washer
17	63052A001	Yoke, Ice Dispenser
18	W11130404	Arm, Shutoff

Illus.
No. Part No. Description

19	W10351019	Extension, Shutoff Arm
20	W10826037	Harness, Icemaker
21	W10290556	Cover
22	W10312691	Assembly, Impinger
23	W10300024	Assembly, Icemaker (Complete)

OPTIONAL PARTS

PAINT, TOUCH-UP (1/2OZ.)

Illus.

<u>No.</u>	<u>Part No.</u>	<u>Description</u>
	72017	White
	72032	Black
	W10134625	Apollo Grey
	W10917540	Midnight Grey
	511873	White Porcelain (2 oz.)
	4392899	Biscuit/Bisque

PAINT, PRESSURIZED SPRAY (12 OZ.)

Illus.

<u>No.</u>	<u>Part No.</u>	<u>Description</u>
	350930	White
	350939	Enamel, Black
	285006	Black
	350942	White Primer
	4392901	Biscuit/Bisque

PAINT, BULK (1 QT.)

Illus.

<u>No.</u>	<u>Part No.</u>	<u>Description</u>
	799344	White (Uncut)

MISCELLANEOUS

Illus.

<u>No.</u>	<u>Part No.</u>	<u>Description</u>
	212643	Sealer, Gum (4 Feet)
	479502	Tape, Vinyl (3/4 x 108")
	876370	Insulation (2 Pieces, 3" x 24" x 48")
	876305	Insulation Kit (14 Pieces, 3" x 24" x 48")
	978941	Insulation, Fiberglass (63 1/2" x 35 1/2" x 2 5/8")
	876029	Kit, Foam Slab (30" x 32 1/2" x 1 1/2")
	505587	Sealer, Mastic (1 Qt)
	503695	Cork, Sealer
	20000008	Cleaner, Stainless Steel
	542638	Grease, Silicone (1/2 Oz.)
	542639	Cement, Alumilastic (1 1/4 Oz.)
	833938	Kit, Terminal Connector
	8003RP	Kit, Water Inlet

TORX SCREW WRENCH

Illus.

<u>No.</u>	<u>Part No.</u>	<u>Description</u>
	1117510	Torx Key