

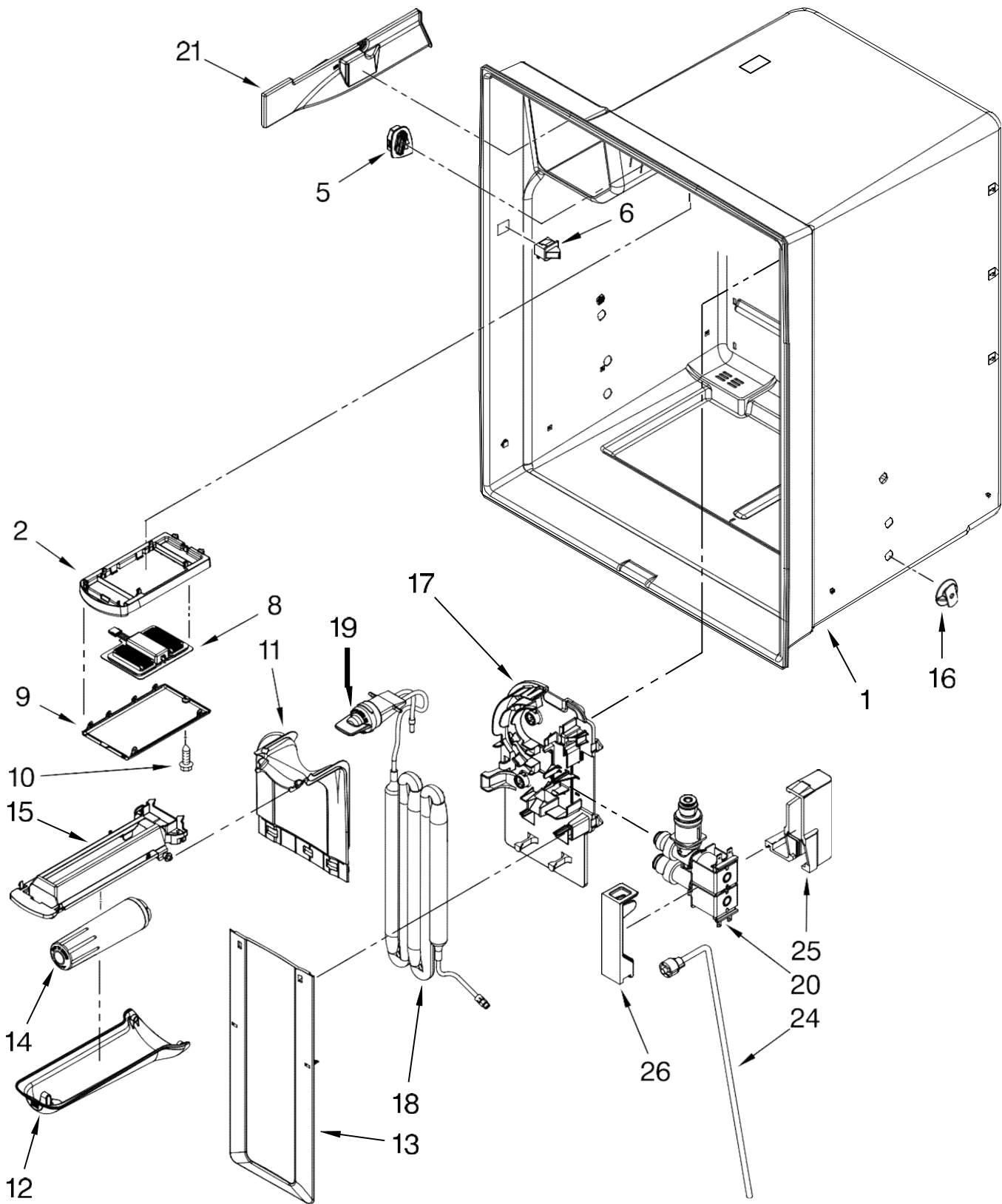
FOR ORDERING INFORMATION REFER TO PARTS PRICE LIST



Refrigerador Maytag MF12670XEM0

Illus. No.	Part No.	DESCRIPTION	Illus. No.	Part No.	DESCRIPTION	Illus. No.	Part No.	DESCRIPTION
1		Literature Parts	12	12990511	Screw (3)	22		Grille, Toe
	W10325984	Tech Sheet	13		Cover, Top Hinge (Left)		W10244559	White
	W10314958	Use & Care Guide		12962301W	White		W10244561	Black
	W10310961	Guide, Energy		12962301B	Black		W10244558	Stainless
2	12961401	Tube W/Waterline, Fill-IM		12962301AP	Stainless	23	12957702K	Lid, HV Control
3	12698403	Block, Pivot	14	12992403	Screw, Top Hinge	24		Hinge, Center (LT)
4	B5759655	Gasket, MC Back	15		Hinge, Center (RT)		13000001WD	White
5		Cover, Top Hinge (Right)		13000002WD	White		13000007ED	Black
	12962302W	White		13000008ED	Black	25	12990702	Screw, Cover
	12962302B	Black		13000002AP	Stainless	26		Cabinet (Not A Servicable Part)
	12962302AP	Stainless	16	W10285271	Box, HV Control	27		Roller Assembly
6		Cover, Fill Tube	17		Cover, Corner (2)		W10275849	Right
	12981401W	White		12587703W	White		W10275850	Left
	12981401B	Black		12587703B	Black	28	12990302	Screw, Block
	12981401AP	Stainless		12587703AP	Stainless	29	12957801K	Gasket, HV Control
7	12961602	Cover, Control Box	18	12963204ED	Hinge, Top Left	30	W10319847	Cover, MC Back
8	M0108107	Clamp, Tube	20	12991302	Screw (8)	31	W10210988	Tube, Drain
9	12992602	Screw, Hinge Cover	21		Shim, Top Hinge	33	12820505	Fiber, Acoustic
10	12963205ED	Hinge, Top Right		12999501	Left	34	W10141622	Brake, Foot
11	12992201	Screw, Center Hinge		12999502	Right	35	W10285199	Board, HV Control
						36	W10226427	Supply, Power

FOR ORDERING INFORMATION REFER TO PARTS PRICE LIST

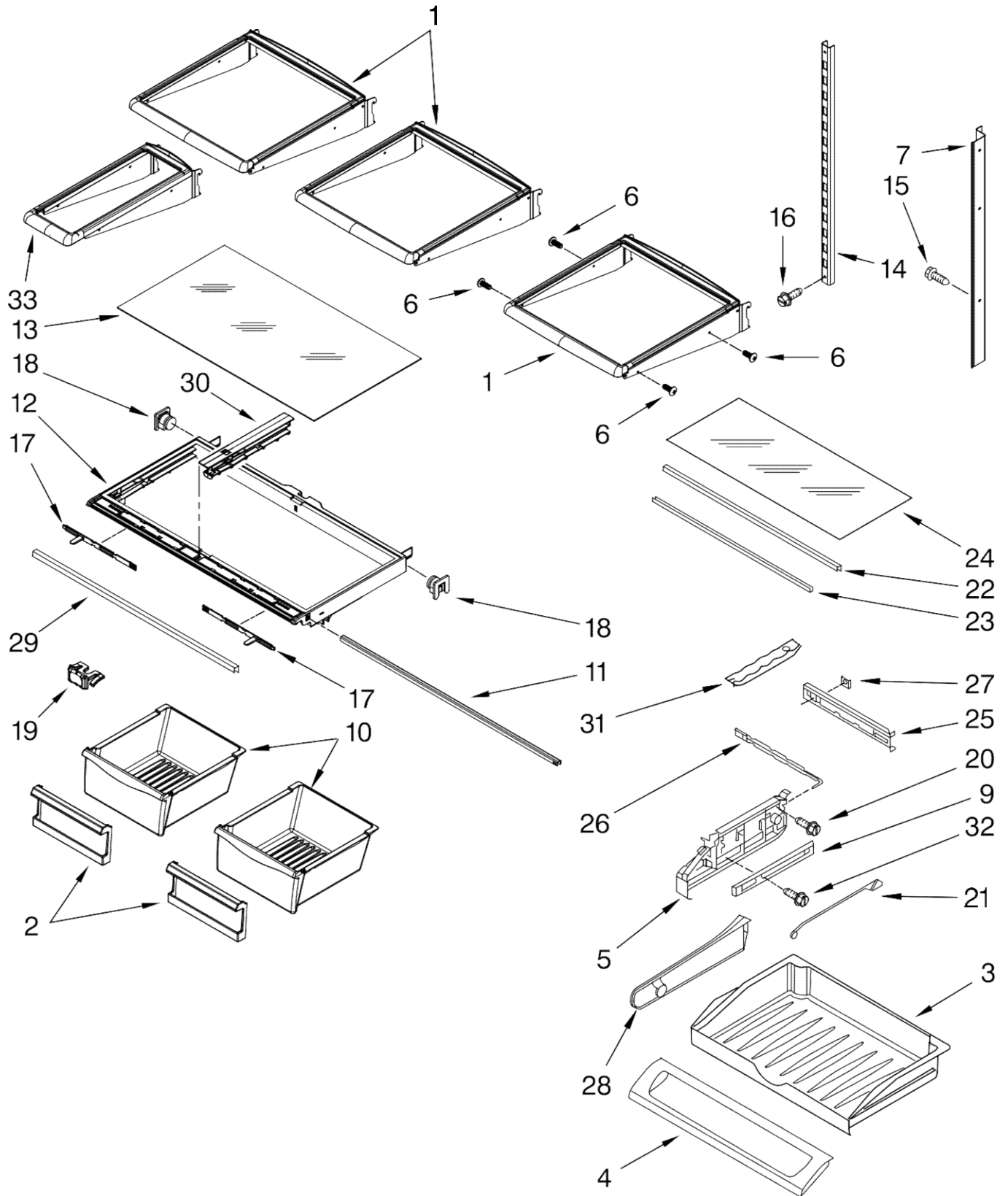


FOR ORDERING INFORMATION REFER TO PARTS PRICE LIST



Refrigerador Maytag MFI2670XEMO

Illus. No.	Part No.	DESCRIPTION
1		Liner (Not A Serviceable Part)
2	W10343359	Housing, Led
5	13008201	Grille, Air
6	12466103	Switch, Light (2)
8	W10289592	Light, Main Led
9	W10311756	Lens, RC Led
10	3400065	Screw
11	12960101	Cover, Water Tank (Upper)
12	12960301	Lid, Water Filter
13	12960001	Cover, Water Tank (Lower)
14	UKF8001AXX	Filter, Water
15	12955901	Bracket, Filter Base
16	W10190541	Mount, Crisper
17	12956001	Bracket, Water Tank & Valve
18	W10336610	Water Tank & Head Assembly
19	12664501SP	Plug, Bypass
20	W10312696	Valve, Dual Water
21	W10309869	Cover, Ice Box Harness
24	W10290356	Waterline, Cabinet (W/Nut)
25	W10118193	Enclosure, Water Valve Connector
26	W10118194	Lid, Enclosure

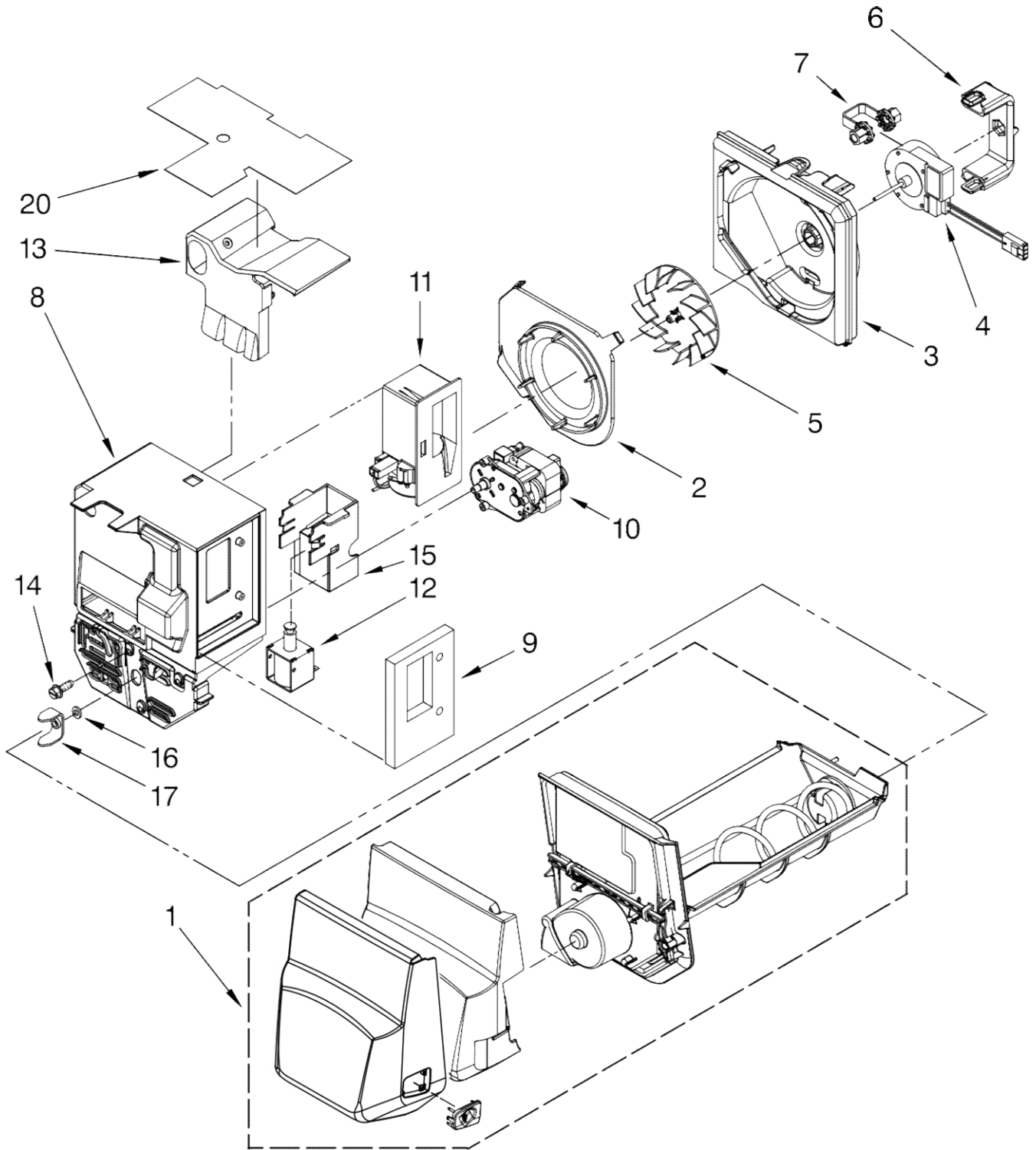


FOR ORDERING INFORMATION REFER TO PARTS PRICE LIST



Refrigerador Maytag MFI2670XEMO

Illus. No.	Part No.	DESCRIPTION
1	12883507	Shelf, Glide
2	12802602SP	Handle, Crisper Pan (2)
3	12731302	Drawer, Pantry
4	12656815	Lid, Pantry
5		Endcap, Pantry
	12656019	Right
	12656106	Left
6	12990302	Track, Pantry
7		Ladder, Side
	W10251965	Right
	W10251966	Left
9	W10235370	Glide, Pantry
10	12804601SP	Pan, Crisper (2)
11	12642303WD	Brace, Crisper Cover
12	W10329866	Frame, Crisper
13	12204824	Glass, Crisper Cover
14	W10273464	Ladder, Center
15	12990513	Screw
16	12990515	Screw (2)
17	12530805SP	Slide, Humidity Control
18	13062602	Supports, Crisper Frame
19	12655204V	Knob, Humidity Control
20	12990504V	Screw
21	12655304	Rod, Temp Control
22	12655902SP	Extr, Glass Support
23	12227305WD	Brace, Pantry
24	12204830	Shelf, Glass
25	12656202	Control, Housing
26	12655402	Slide, Temperature
27	12656901	Gasket, Pantry
28	12731901	Divider, Pantry
29	W10231345	Trim, Crisper
30	W10326469	Rail, Center
31	12531901	Track, Deli
32	12990512	Screw
33	12885501N	Shelf, Mini

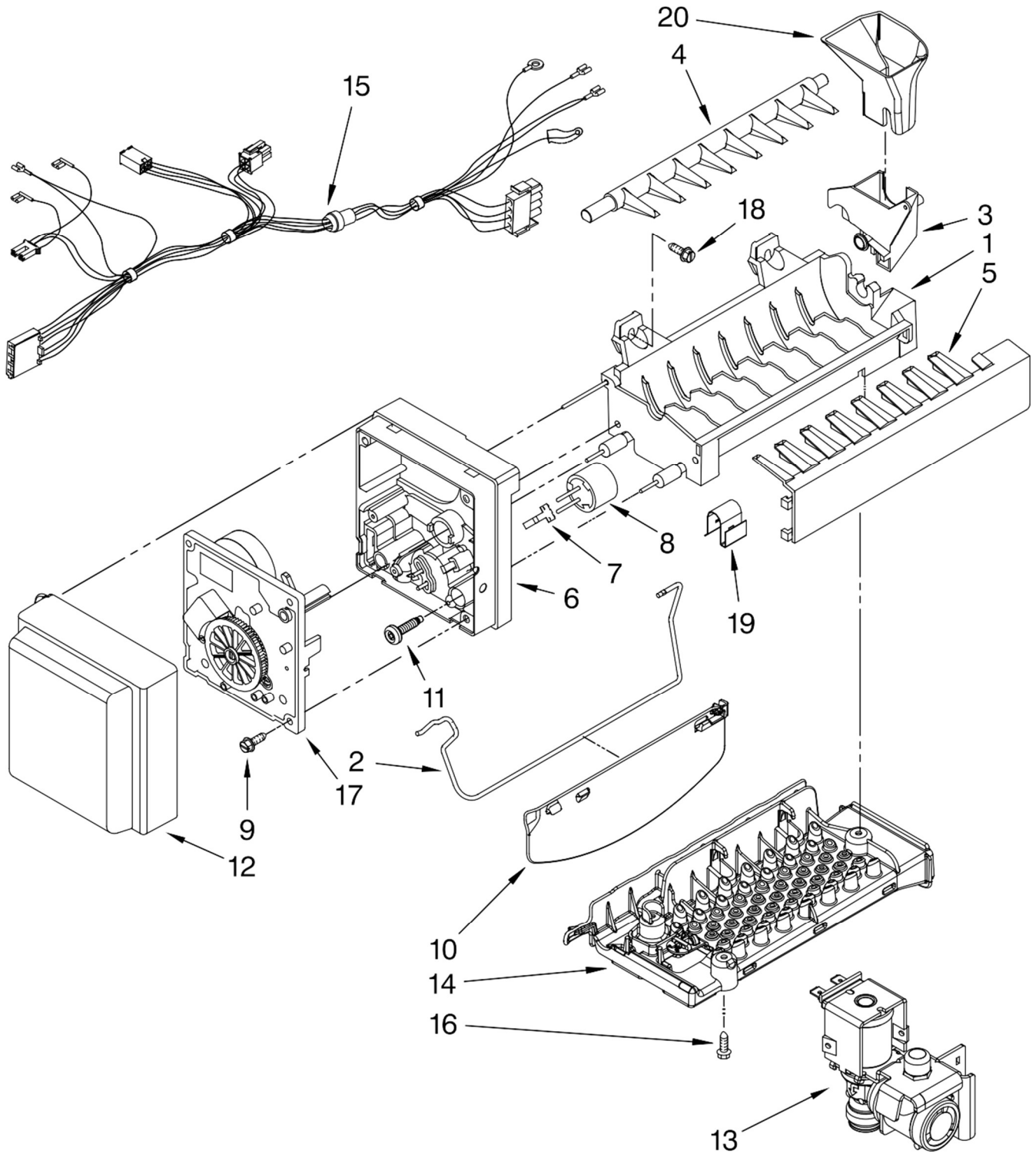


FOR ORDERING INFORMATION REFER TO PARTS PRICE LIST



Refrigerador Maytag MFI2670XEM0

Illus. No.	Part No.	DESCRIPTION
1	W10337301	Ice Bin Assembly (Includes Auger)
2	W10121282	Inlet, Blower
3	W10309863	Scroll, Blower
4	W10308033	Motor, Fan
5	W10123444	Wheel, Blower
6	12956603	Clip, Fan Motor
7	W10151687	Grommet, Fan Motor
8	W10309864	Divider, Ice Box
9	12920001	Gasket, Damper
10	W10309868	Motor, Auger
11	W10196393	Damper, Control
12	W10309866	Solenoid
13	W10118612	Liner, Divider
14	12990511	Screw (3)
15	W10309865	Bracket, Solenoid
16	420107A700	Washer
17	63052A001	Yoke, Ice Dispenser
20	W10142628	Foil, Ice Box



FOR ORDERING INFORMATION REFER TO PARTS PRICE LIST

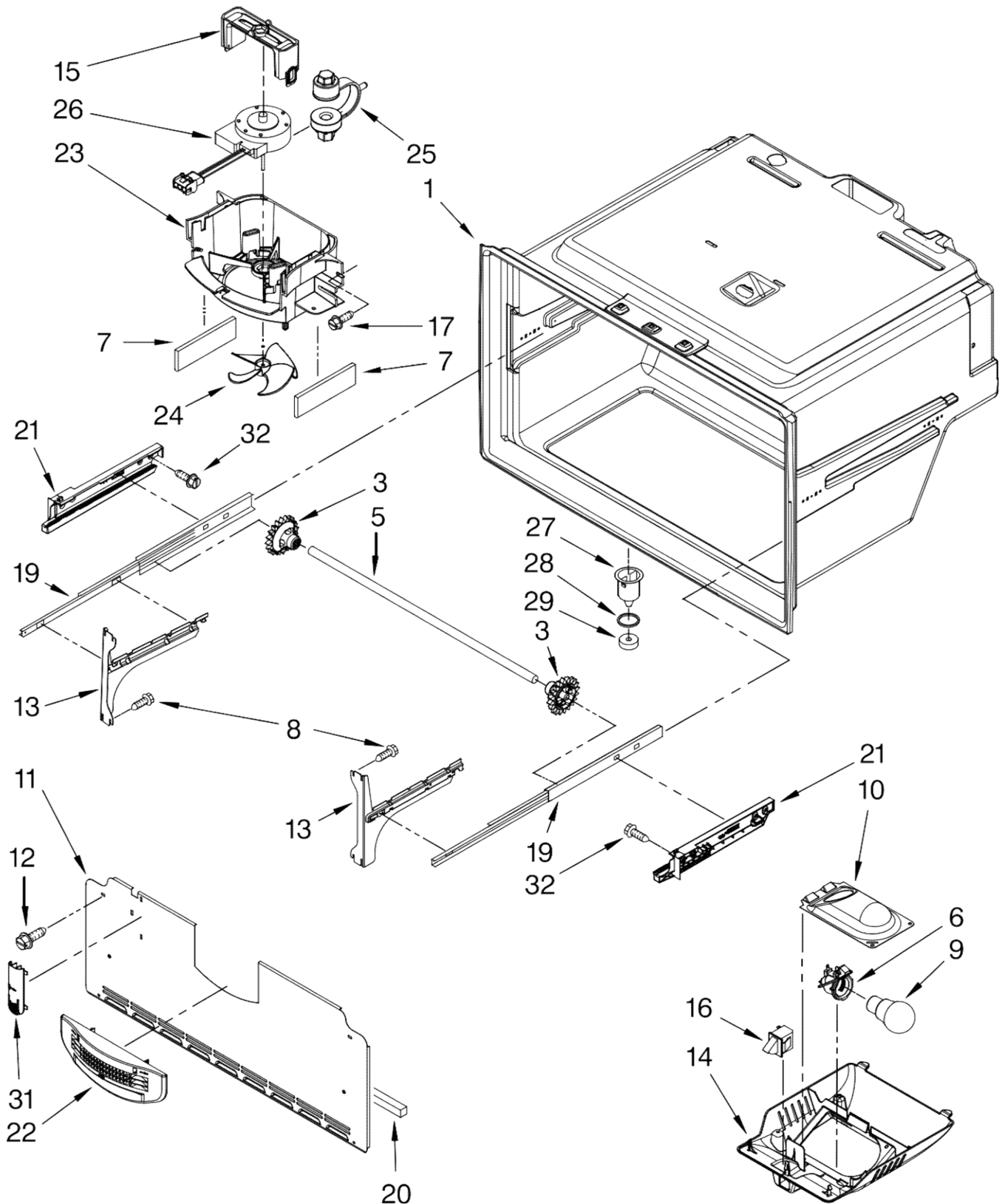


Refrigerador Maytag MFI2670XEM0

Illus. No.	Part No.	DESCRIPTION
1	W10300025	Mold & Heater Assembly (Also Order 542638 Grease)
2	W10175514	Arm, Shutoff
3	W10122561	Cup, Fill
4	W10318914	Ejector
5	W10122563	Ice Stripper
6	2194712	Support, Housing
7	2315522	Retainer, Thermostat
8	628532	Thermostat (Also Order 542369 Cement)
9	W10001240	Screw (3)
10	W10121440	Extension, Shutoff Arm
11	8533917	Screw (2)
12	W10290556	Cover
13	W10342318	Valve, Single
14	W10312691	Impinger Assy.
15	W10322960	Harness, Icemaker
16	12990511	Screw, Impinger
17	626691	Module Assembly
18	W10001240	Screw (3)
19	628379	Clip
20	W10121434	Insert, Fill Cup
100	W10300024	Icemaker Assembly

Following Parts Not Illustrated

10244904SP Coupling



FOR ORDERING INFORMATION REFER TO PARTS PRICE LIST

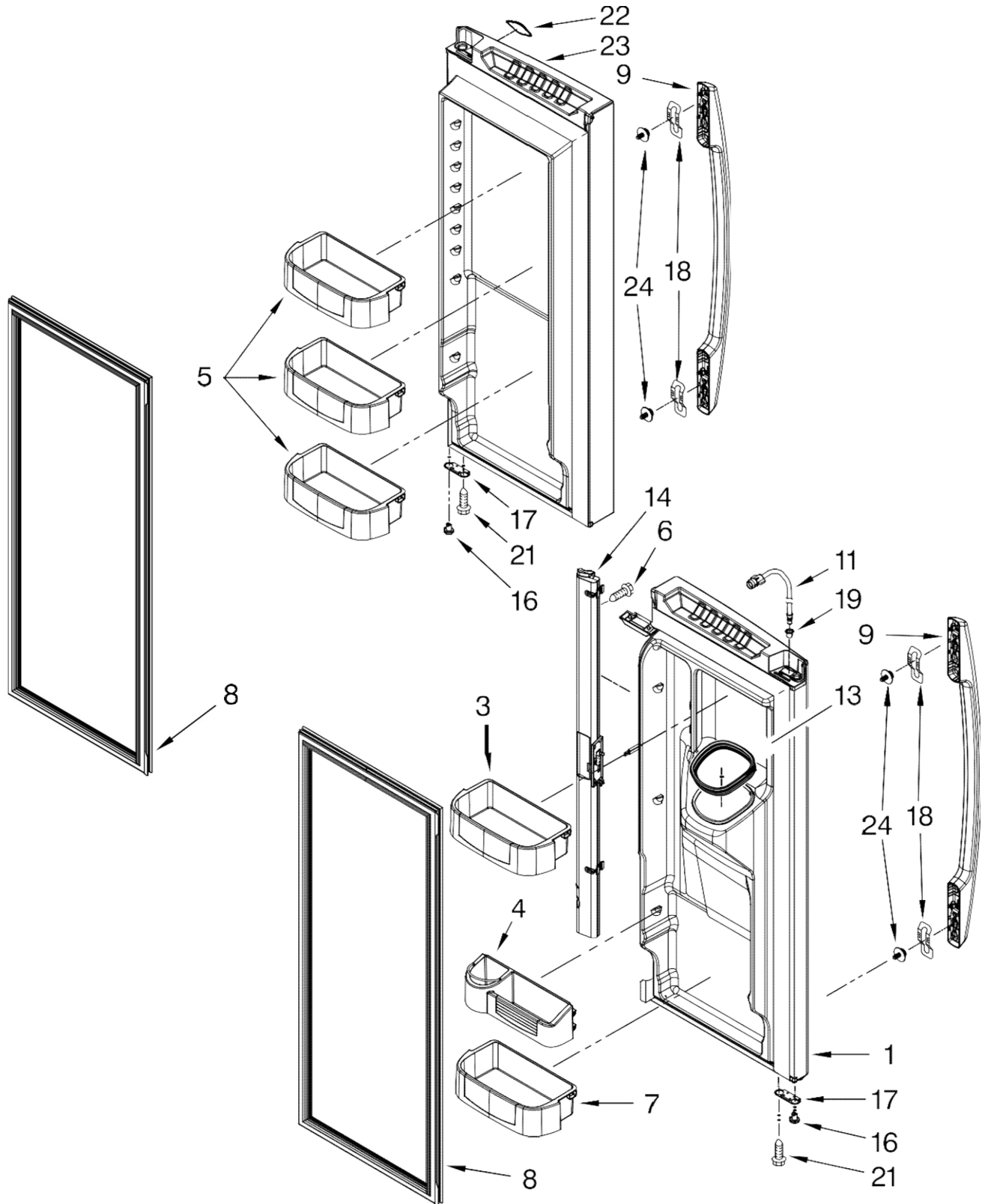


Refrigerador Maytag MFI2670XEM0

Illus. No.	Part No.	DESCRIPTION
1		Liner (Not A Seviceable Part)
3	12002497	Gear (Includes Both)
5	12812903WD	Shaft, Rack
6	12570701SP	Socket, Light
7	A3189392	Gasket, Foam
8	12990521	Screw, Bracket
9	2255743	Bulb, Light
10	12476401SP	Housing, Light
11	W10308421	Cover, Evap
12	12990511	Screw
13		Bracket, Door Slide W10122147 Left W10122148 Right
14	13027902SP	Module, Freezer Light
15	12956601	Clip, Fan Motor
16	12466111SP	Switch, Rocker
17	12990504	Screw, Fan Shroud To Basket
19	W10120018	Slide, Drawer (2)
20	A3189397	Gasket, Foam
21		Adapter W10284682 Left W10284683 Right
22	12959901	Grille, Air
23	12951401	Shroud, Evap Fan
24	12986101	Blade, Fan (Evaporator)
25	12951101	Grommet, Fan Motor (2)
26	W10276647	Motor, Evaporator Fan
27	D7753903	Funnel, Drain
28	M0500703	Seal, O Ring
29	B8381501	Gasket, Drain Tube
31	12815301	Cover, Thermistor
32	12990501	Screw, Adapter

Following Parts Not Illustrated

12952005SP Module, FZ Light

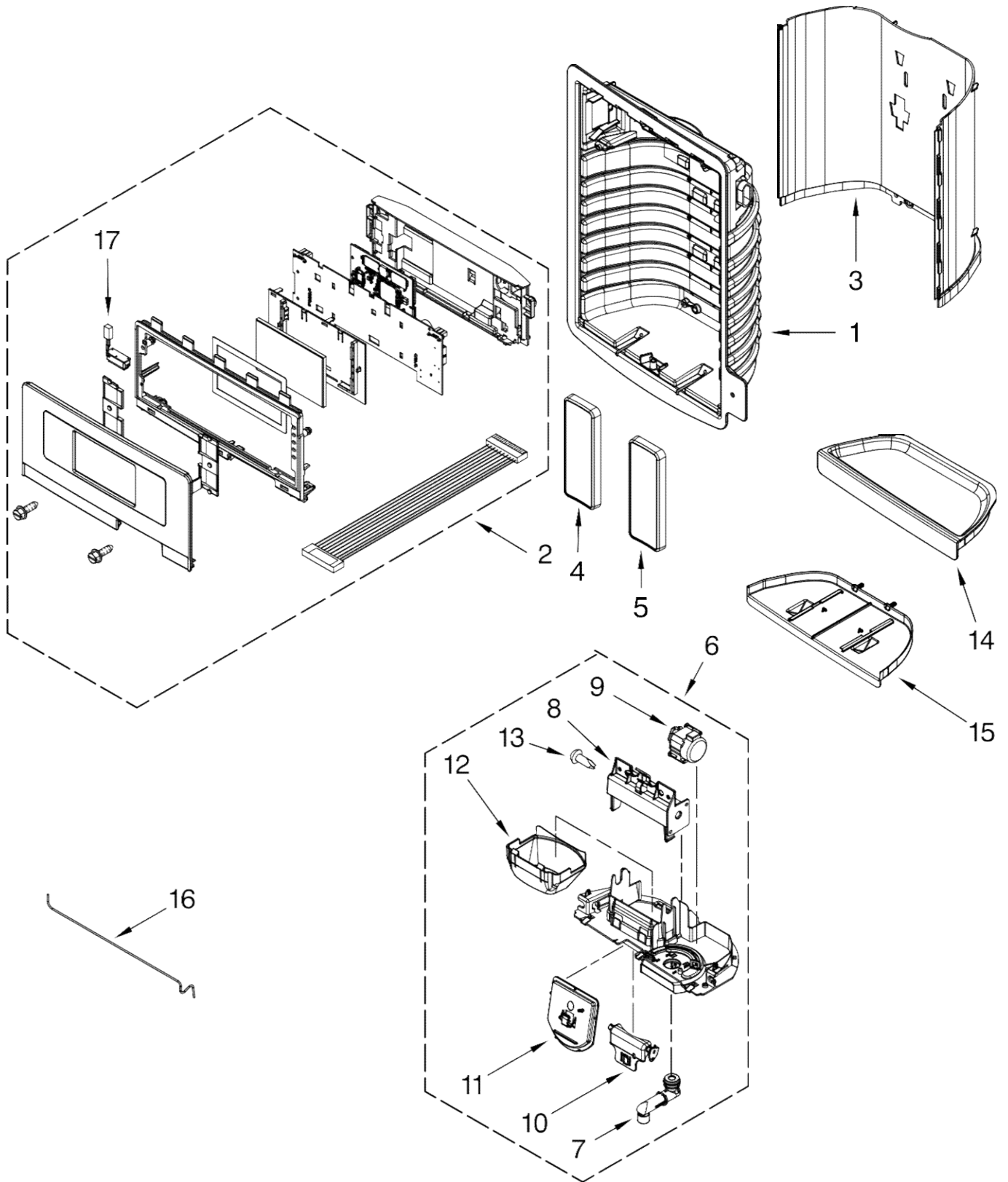


FOR ORDERING INFORMATION REFER TO PARTS PRICE LIST



Refrigerador Maytag MFI2670XEMO

Illus. No.	Part No.	DESCRIPTION
1		Door, Left
	13107303WQ	White
	13107303BQ	Black
	13107305SQ	Stainless
3	W10290553	Bucket, Upper
4	W10290555	Bucket, Wine
5	12840004	Bucket, Gallon
6	12990204	Screw
7	W10297151	Bucket, Lower
8		Gasket, Door
	W10163896	White
	W10163898	Black
	W10163991	Stainless
9		Handle, Door
	W10252284	White
	W10252285	Black
	W10252288	Stainless
11	W10296451	Waterline, Door
13	W10287601	Seal, Ice Chute
14		Mullion, Door
	12722815W	White
	12722815B	Black
	12722815AP	Stainless
16		Closure, Door
	12028505W	White
	12028505B	Black
	12028505AP	Stainless
17		Stop, Door
	12968202W	White
	12968202B	Black
	12968202AP	Stainless
18	2255411	Clip, Handle
19	12996601	Clip, Bushing Wire (Left Door)
21	12990521	Screw
22	W10170766	Nameplate
23		Door, Right
	13107304WQ	White
	13107304BQ	Black
	13107306SQ	Stainless
24	12992902	Screw, Handle (Shoulder)

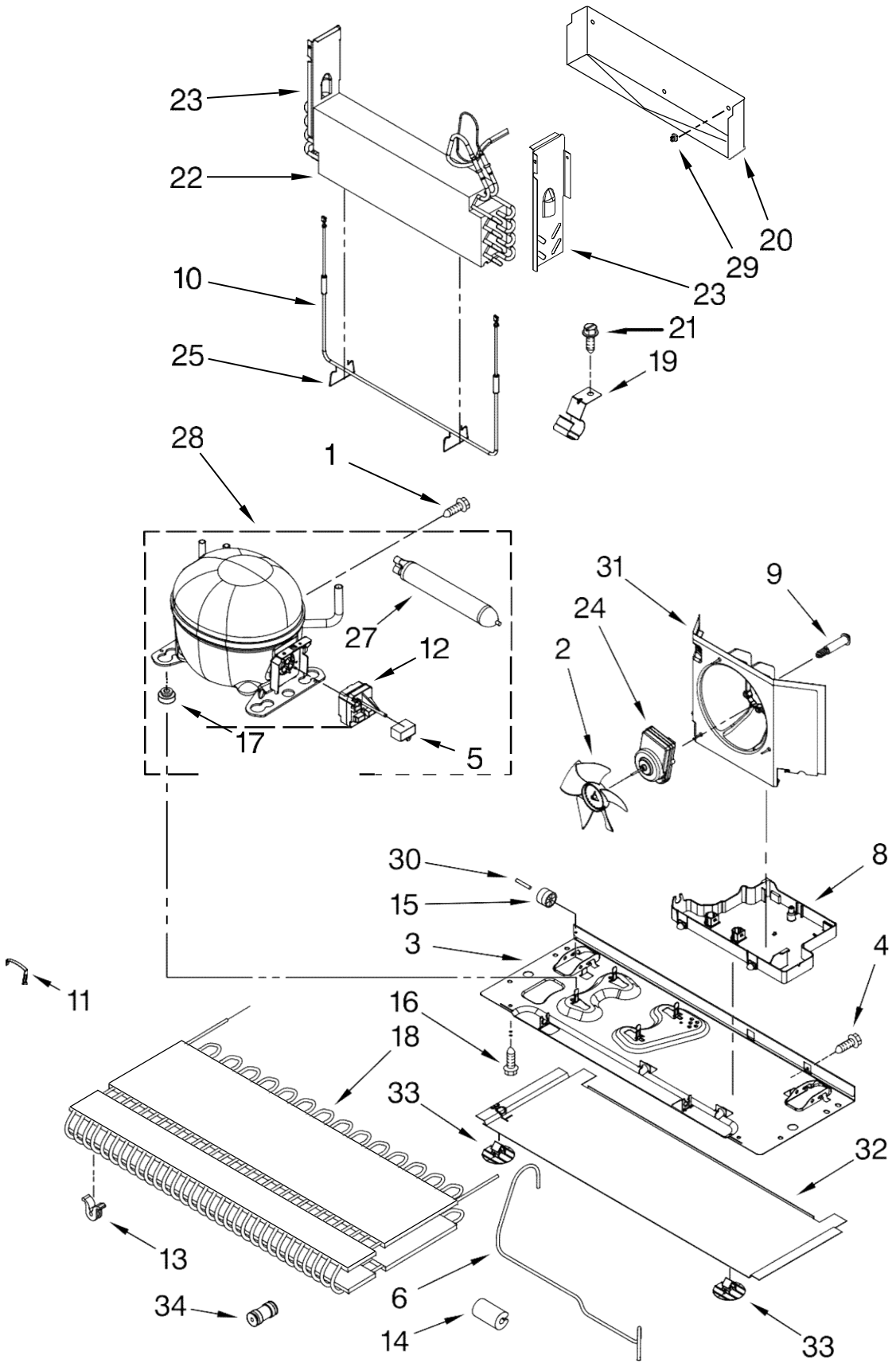


FOR ORDERING INFORMATION REFER TO PARTS PRICE LIST



Refrigerador Maytag MFI2670XEMO

Illus. No.	Part No.	DESCRIPTION
1		Housing, Dispenser (Not Serviced)
2	W10337912	UI Assembly
3		False, Wall, Dispenser
	W10215699	White
	W10233560	Black
	W10299897	Stainless
4		Pad, Ice
	W10334789	White
	W10334792	Black
	W10334789	Stainless
5		Pad, Water
	W10334813	White
	W10334816	Black
	W10334813	Stainless
6	W10278973	Separator Assy.
7	2316647	Spigot
8	W10174827	Bracket, Ice Door
9	W10205979	Motor, Ice Door
10	W10174809	Support, IceDoor
11	W10174811	Door, Ice
12	W10174808	Guide, Ice
13	4449745	Screw
14		Tray, Dispenser
	W10267869	White
	W10267870	Black
	W10299895	Stainless
15		Slide Tray, Dispenser
	W10267860	White
	W10267861	Black
	W10267863	Stainless
16	W10296451	Tube, Water
17	W10238083	Led

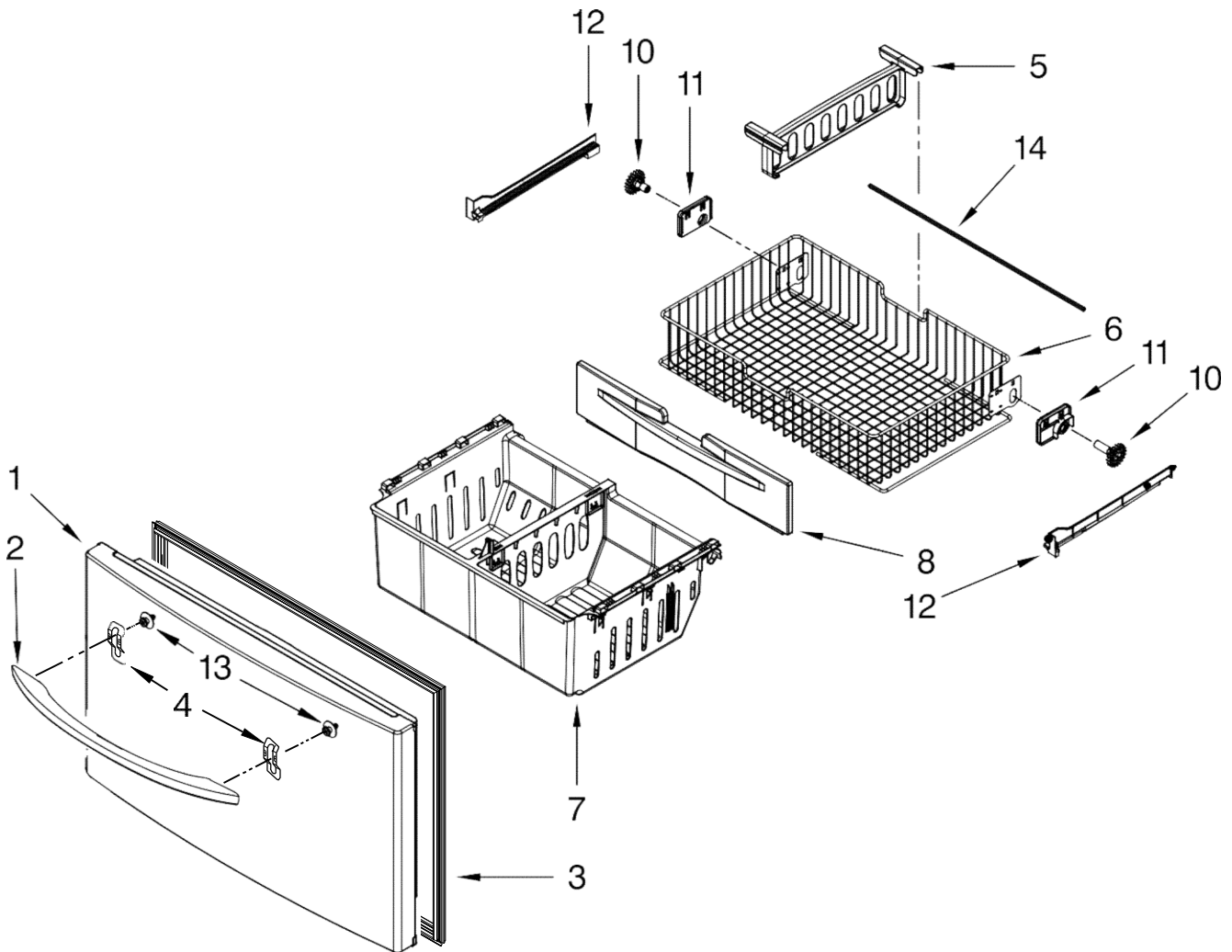


FOR ORDERING INFORMATION REFER TO PARTS PRICE LIST



Refrigerador Maytag MFI2670XEMO

Illus. No.	Part No. DESCRIPTION	Illus. No.	Part No. DESCRIPTION	Illus. No.	Part No. DESCRIPTION
1	12992301 Screw	20	W10292803 Tray, Drip	<hr/> Following Parts Not Illustrated and Optional Parts Not Include d <hr/>	
2	12825803 Blade, Fan	21	12990518 Screw		
3	W10210985 Basepan	22	12959803 Evaporator		
4	12990511 Screw	23	Dam		
5	2264017 Capacitor		12963102SP Right Side		
6	W10217747 Tube, Discharge		12963002SP Left Side		
8	W10296785 Pan, Drain	24	W10239053 Motor, Fan		
9	W10216919 Screw, Shoulder	25	10428101 Clip, Heater		
10	12729123 Heater, Defrost	27	W10143759 Drier		
11	W10204187 Strap, Bale	28	W10134623 Compressor (Includes items 11,12,17,27)		
12	W10197428 Start Device	29	10623002 Clip, Evaporator	978025	Valve, Access (1/4")
13	W10137529 Grommet, Cond (4)	30	12477202 Axle, Roller (2)	978026	Valve, Access (5/16")
14	2319835 Grommet, Condenser	31	W10189184 Shroud	978027	Valve, Access (3/8")
15	12477102 Roller (2)	32	W10206338 Extension, Basepan	978028	Valve, Access (1/2")
16	12992101 Screw	33	W10206339 Fastener, Basepan	978029	Valve, Access (5/8")
17	10835903SP Grommet (4)	34	W10334458 Connector, Water	978030	Valve, Access (3/4")
18	W10135026 Condenser			876764	Valve, Access (3/16")
19	W10281329 Clip, Drier			REFRIGERANT CHARGE 5.25 Ozs. (R-134A)	



Illus. No.	Part No.	DESCRIPTION	Illus. No.	Part No.	DESCRIPTION	Illus. No.	Part No.	DESCRIPTION
1	W10174214 White 12977834BQ Black 12977846SQ Stainless	Freezer Door	3	W10164043 White W10164044 Black W10164045 Stainless	Gasket, Door	10	W10158749 Right W10146446 Left	Gear Spur
2	W10252296 White W10252297 Black W10252300 Stainless	Handle, Door	4	2255411	Clip, Handle	11	W10233899 Right W10233898 Left	Gear Mount
			5	W10146439	Divider, Upper Basket	12	W10284695 Right W10284694 Left	Rack
			6	W10146448	Basket, Upper	13	12992902	Screw, Handle (Shoulder)
			7	W10293682	Bin, Lower	14	12812904WD	Shaft, Rack
			8	W10310696	Trim, Upper			

FOR ORDERING INFORMATION REFER TO PARTS PRICE LIST

OPTIONAL PARTS (NOT INCLUDED)

For Models: MFI2670XEW0, MFI2670XEB0, MFI2670XEM0
(White) (Black) (Monochromatic Stainless)

Illus. Part No. No. DESCRIPTION	Illus. Part No. No. DESCRIPTION	Illus. Part No. No. DESCRIPTION
<p>Parts Not Illustrated and Optional Parts (Not Included)</p> <hr/> <p>Customer Touch-Up Material</p> <p>*350942 Primer, White (13 Oz. Spray Can)</p> <p>*350939 Enamel, Black (13 Oz. Spray Can)</p> <p>*350930 Enamel, White (13 Oz. Spray Can)</p> <p>22002901 Enamel, Bisque (12 OZ. Spray Can)</p> <p>22002900 Enamel, Bisque (.6 OZ. Bottle)</p> <p>72017 Brush Touch-Up Kit (White)</p> <p>72032 Brush Touch-up kit (Black)</p> <p> </p> <p>*Important: The spray paint is not to be used where the paint may make contact with the door gaskets.</p> <p> </p> <p>Refinishing Material</p> <p>799340 Enamel, Black (1 Qt. Uncut)</p> <p>799344 Enamel, White (1 Qt. Uncut)</p>	<p>Miscellaneous</p> <p>212643 Sealer, Gum (4 Feet)</p> <p>479502 Tape, Vinyl (3/4 x 108")</p> <p>876370 Kit, Insulation (2 Pcs. x 3" x 24" X 48")</p> <p>876305 Kit, Insulation (14 Pcs. x 3" x 24" x 48")</p> <p>978941 Insulation, Fiberglass (63-1/2" x 35-1/2" X 2-5/8)</p> <p>876029 Kit, Foam Slab (30" x 32-1/2" x 1-1/2")</p> <p>505587 Sealer, Mastic (1 Qt.)</p> <p>503695 Cork, Sealer (1/4 Pound)</p> <p>20000008 Cleaner, Stnls Steel Magic</p> <p>542638 Grease, Silicone (1/2 Oz.)</p> <p>542639 Cement, Alumilastic (1-1/4 Oz.)</p> <p>606755 Bag, Insulation (36-5/8" x 46")</p> <p>833938 Kit, Terminal Connector</p>	<p>TORX SCREW WRENCH</p> <p>1117510 Torx Key</p>