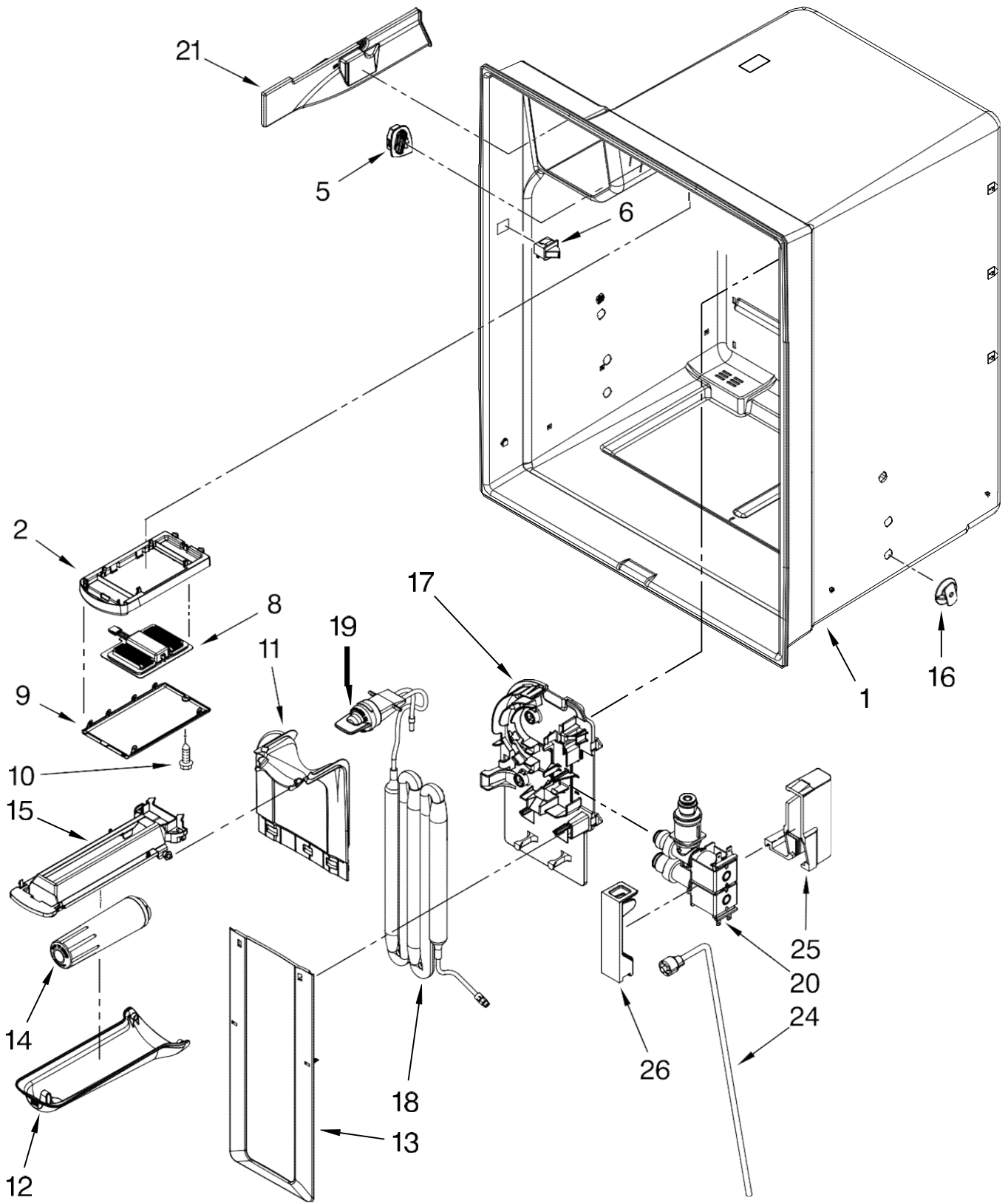


FOR ORDERING INFORMATION REFER TO PARTS PRICE LIST



Refrigerador Maytag MFI2670XEM1

Illus. No.	Part No.	DESCRIPTION	Illus. No.	Part No.	DESCRIPTION	Illus. No.	Part No.	DESCRIPTION
1		Literature Parts	12	12990511	Screw (3)	22		Grille, Toe
	W10341192	Tech Sheet	13		Cover, Top Hinge (Left)		W10244559	White
	W10314958	Use & Care Guide		12962301W	White		W10244561	Black
	W10310961	Guide, Energy		12962301B	Black		W10244558	Stainless
2	12961401	Tube W/Waterline, Fill-IM		12962301AP	Stainless	23	12957702K	Lid, HV Control
3	12698403	Block, Pivot	14	12992403	Screw, Top Hinge	24		Hinge, Center (LT)
4	B5759655	Gasket, MC Back	15		Hinge, Center (RT)		13000001WD	White
5		Cover, Top Hinge (Right)		13000002WD	White		13000007ED	Black
	12962302W	White		13000008ED	Black	25	12990702	Screw, Cover
	12962302B	Black		13000002AP	Stainless	26		Cabinet (Not A Servicable Part)
	12962302AP	Stainless	16	W10285271	Box, HV Control	27		Roller Assembly
6		Cover, Fill Tube	17		Cover, Corner (2)		W10275849	Right
	12981401W	White		12587703W	White		W10275850	Left
	12981401B	Black		12587703B	Black	28	12990302	Screw, Block
	12981401AP	Stainless		12587703AP	Stainless	29	12957801K	Gasket, HV Control
7	12961602	Cover, Control Box	18	12963204ED	Hinge, Top Left	30	W10319847	Cover, MC Back
8	M0108107	Clamp, Tube	20	12991302	Screw (8)	31	W10210988	Tube, Drain
9	12992602	Screw, Hinge Cover	21		Shim, Top Hinge	33	12820505	Fiber, Acoustic
10	12963205ED	Hinge, Top Right		12999501	Left	34	W10141622	Brake, Foot
11	12992201	Screw, Center Hinge		12999502	Right	35	W10285199	Board, HV Control
						36	W10226427	Supply, Power
						37	W10316171	Guard-Splash

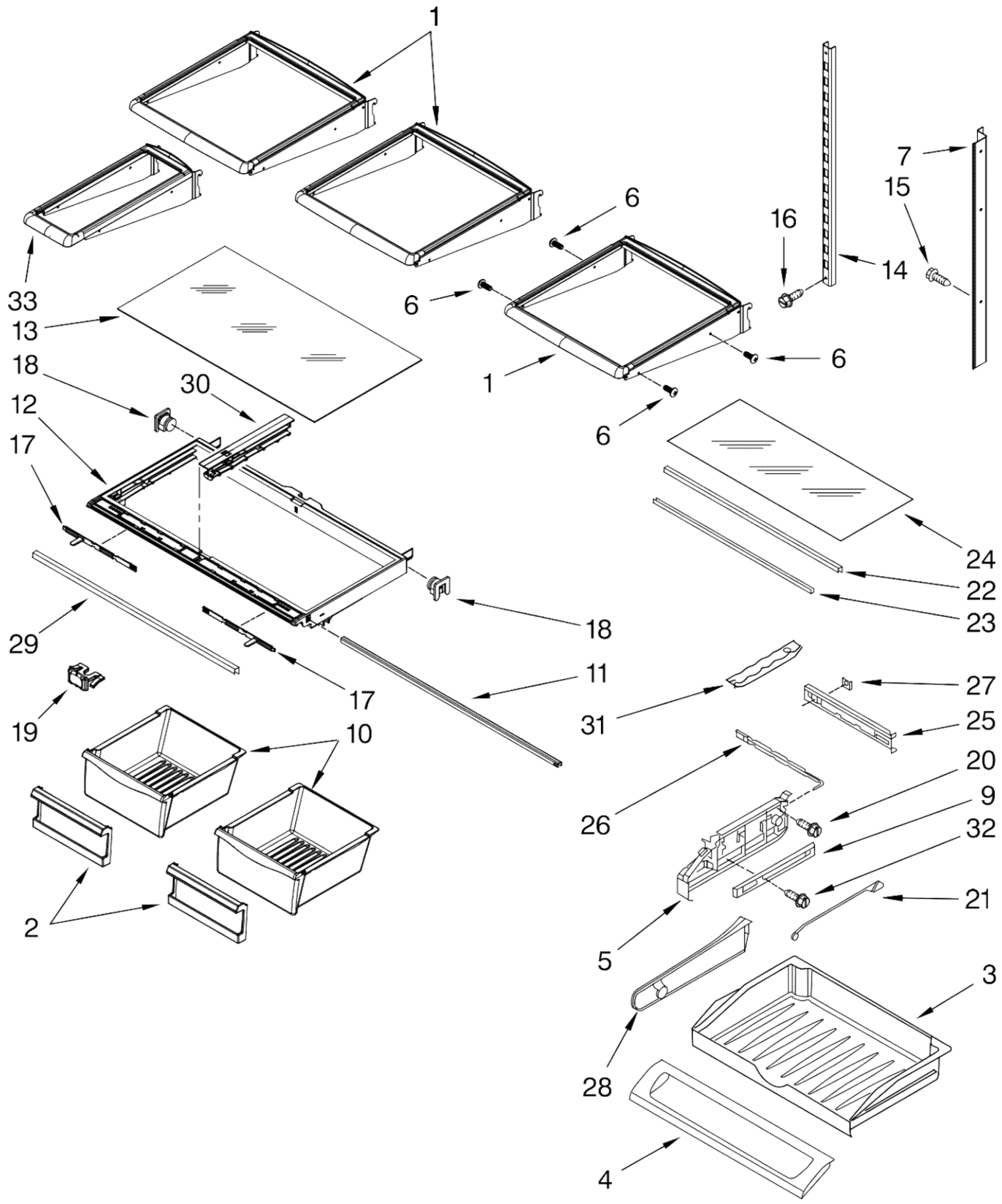


FOR ORDERING INFORMATION REFER TO PARTS PRICE LIST



## Refrigerador Maytag MFI2670XEM1

<b>Illus. No.</b>	<b>Part No.</b>	<b>DESCRIPTION</b>
1		Liner (Not A Serviceable Part)
2	W10343359	Housing, Led
5	13008201	Grille, Air
6	12466103	Switch, Light (2)
8	W10289592	Light, Main Led
9	W10311756	Lens, RC Led
10	3400065	Screw
11	12960101	Cover, Water Tank (Upper)
12	12960301	Lid, Water Filter
13	12960001	Cover, Water Tank (Lower)
14	UKF8001AXX	Filter, Water
15	12955901	Bracket, Filter Base
16	W10190541	Mount, Crisper
17	12956001	Bracket, Water Tank & Valve
18	W10336610	Water Tank & Head Assembly
19	12664501SP	Plug, Bypass
20	W10312696	Valve, Dual Water
21	W10309869	Cover, Ice Box Harness
24	W10290356	Waterline, Cabinet (W/Nut)
25	W10118193	Enclosure, Water Valve Connector
26	W10118194	Lid, Enclosure

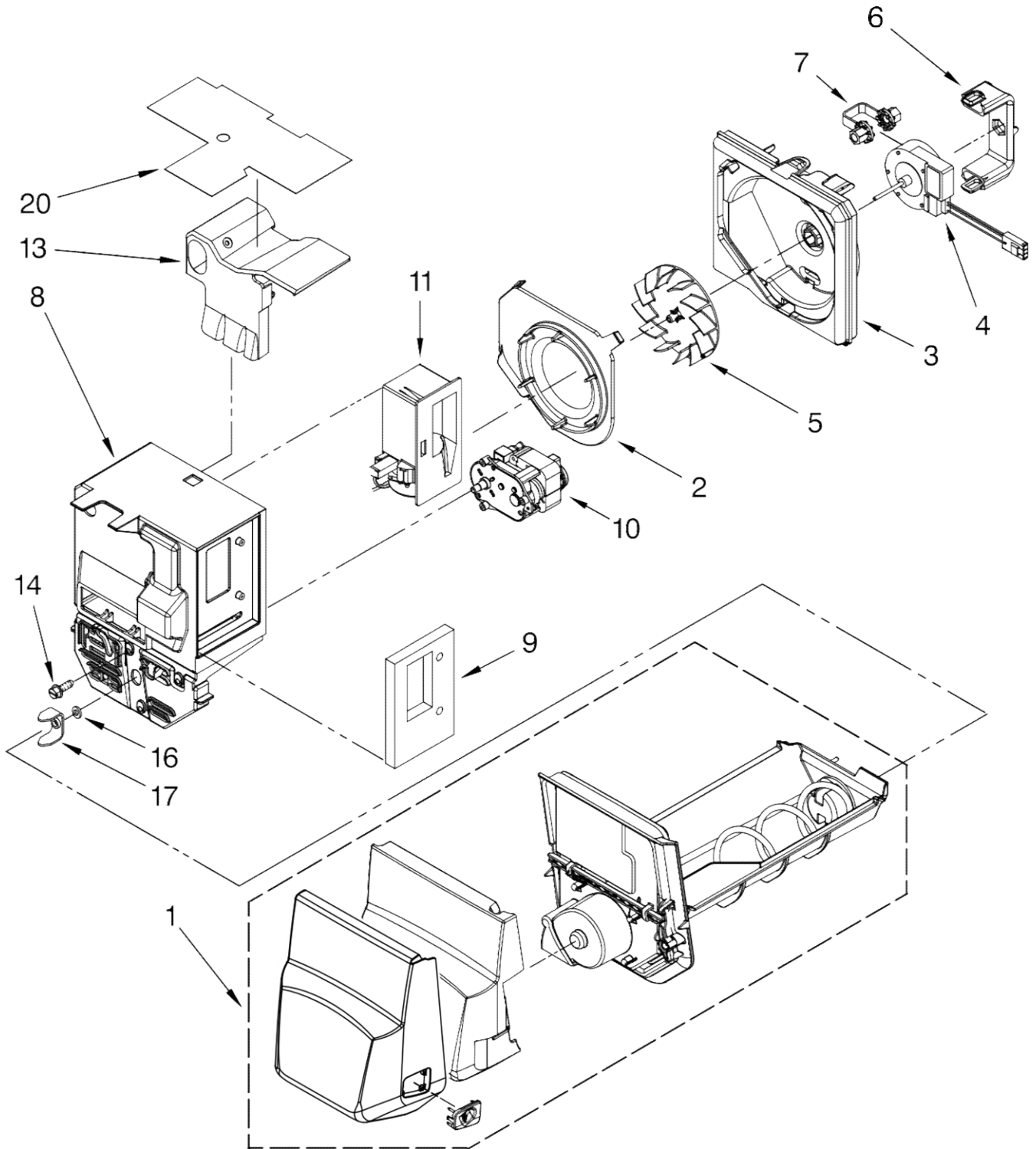


FOR ORDERING INFORMATION REFER TO PARTS PRICE LIST



## Refrigerador Maytag MFI2670XEM1

Illus. No.	Part No.	DESCRIPTION
1	12883507	Shelf, Glide
2	12802602SP	Handle, Crisper Pan (2)
3	12731302	Drawer, Pantry
4	12656815	Lid, Pantry
5		Endcap, Pantry
	12656019	Right
	12656106	Left
6	12990302	Track, Pantry
7		Ladder, Side
	W10251965	Right
	W10251966	Left
9	W10235370	Glide, Pantry
10	12804601SP	Pan, Crisper (2)
11	12642303WD	Brace, Crisper Cover
12	W10329866	Frame, Crisper
13	12204824	Glass, Crisper Cover
14	W10273464	Ladder, Center
15	12990513	Screw
16	12990515	Screw (2)
17	12530805SP	Slide, Humidity Control
18	13062602	Supports, Crisper Frame
19	12655204V	Knob, Humidity Control
20	12990504V	Screw
21	12655304	Rod, Temp Control
22	12655902SP	Extr, Glass Support
23	12227305WD	Brace, Pantry
24	12204830	Shelf, Glass
25	12656202	Control, Housing
26	12655402	Slide, Temperature
27	12656901	Gasket, Pantry
28	12731901	Divider, Pantry
29	W10231345	Trim, Crisper
30	W10326469	Rail, Center
31	12531901	Track, Deli
32	12990512	Screw
33	12885501N	Shelf, Mini



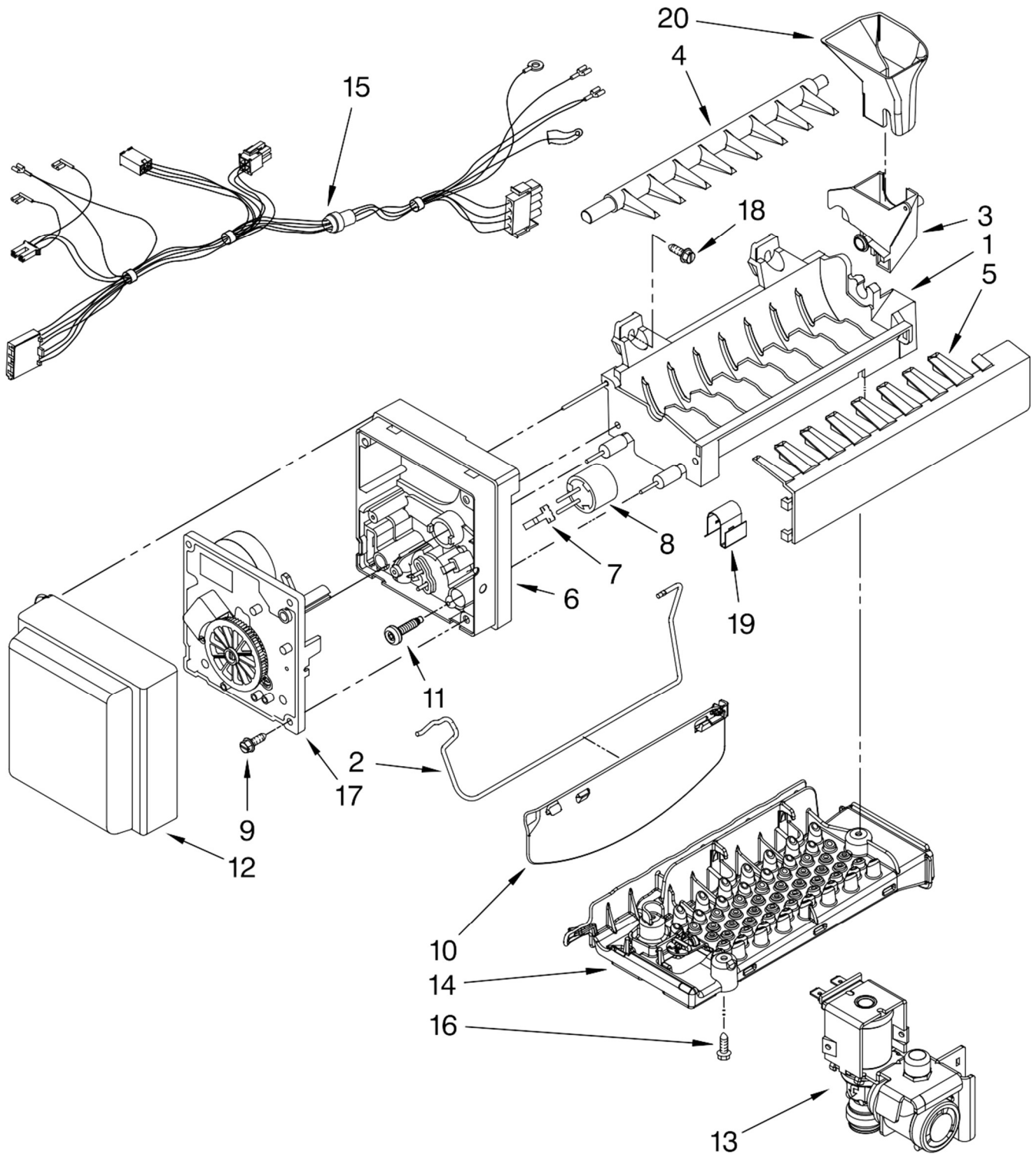
FOR ORDERING INFORMATION REFER TO PARTS PRICE LIST



## Refrigerador Maytag MFI2670XEM1

Illus. No.	Part No.	DESCRIPTION
1	W10347671	Ice Bin Assembly (Includes Auger)
2	W10121282	Inlet, Blower
3	W10309863	Scroll, Blower
4	W10308033	Motor, Fan
5	W10123444	Wheel, Blower
6	12956603	Clip, Fan Motor
7	W10151687	Grommet, Fan Motor
8	W10309864	Divider, Ice Box
9	12920001	Gasket, Damper
10	W10309868	Motor, Auger
11	W10196393	Damper, Control
13	W10118612	Liner, Divider
14	12990511	Screw (3)
16	420107A700	Washer
17	63052A001	Yoke, Ice Dispenser
20	W10142628	Foil, Ice Box





FOR ORDERING INFORMATION REFER TO PARTS PRICE LIST

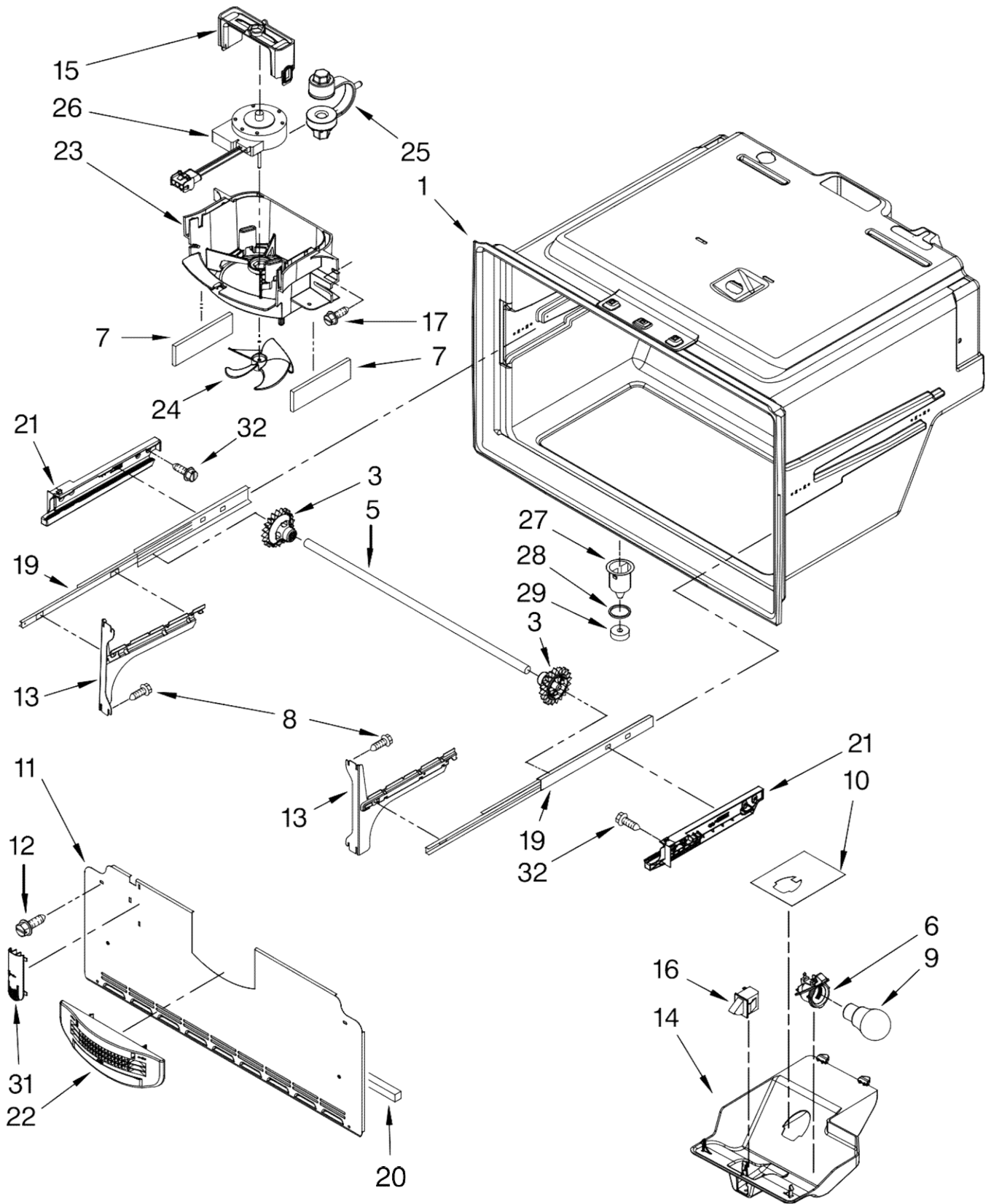


## Refrigerador Maytag MFI2670XEM1

Illus. No.	Part No.	DESCRIPTION
1	W10300025	Mold & Heater Assembly (Also Order 542638 Grease)
2	W10175514	Arm, Shutoff
3	W10327050	Cup, Fill
4	W10318914	Ejector
5	W10122563	Ice Stripper
6	2194712	Support, Housing
7	2315522	Retainer, Thermostat
8	628532	Thermostat (Also Order 542369 Cement)
9	W10001240	Screw (3)
10	W10121440	Extension, Shutoff Arm
11	8533917	Screw (2)
12	W10290556	Cover
13	W10342318	Valve, Single
14	W10312691	Impinger Assy.
15	W10322960	Harness, Icemaker
16	12990511	Screw, Impinger
17	626691	Module Assembly
18	W10001240	Screw (3)
19	628379	Clip
20	W10121434	Insert, Fill Cup
100	W10300024	Icemaker Assembly

### Following Parts Not Illustrated

10244904SP Coupling

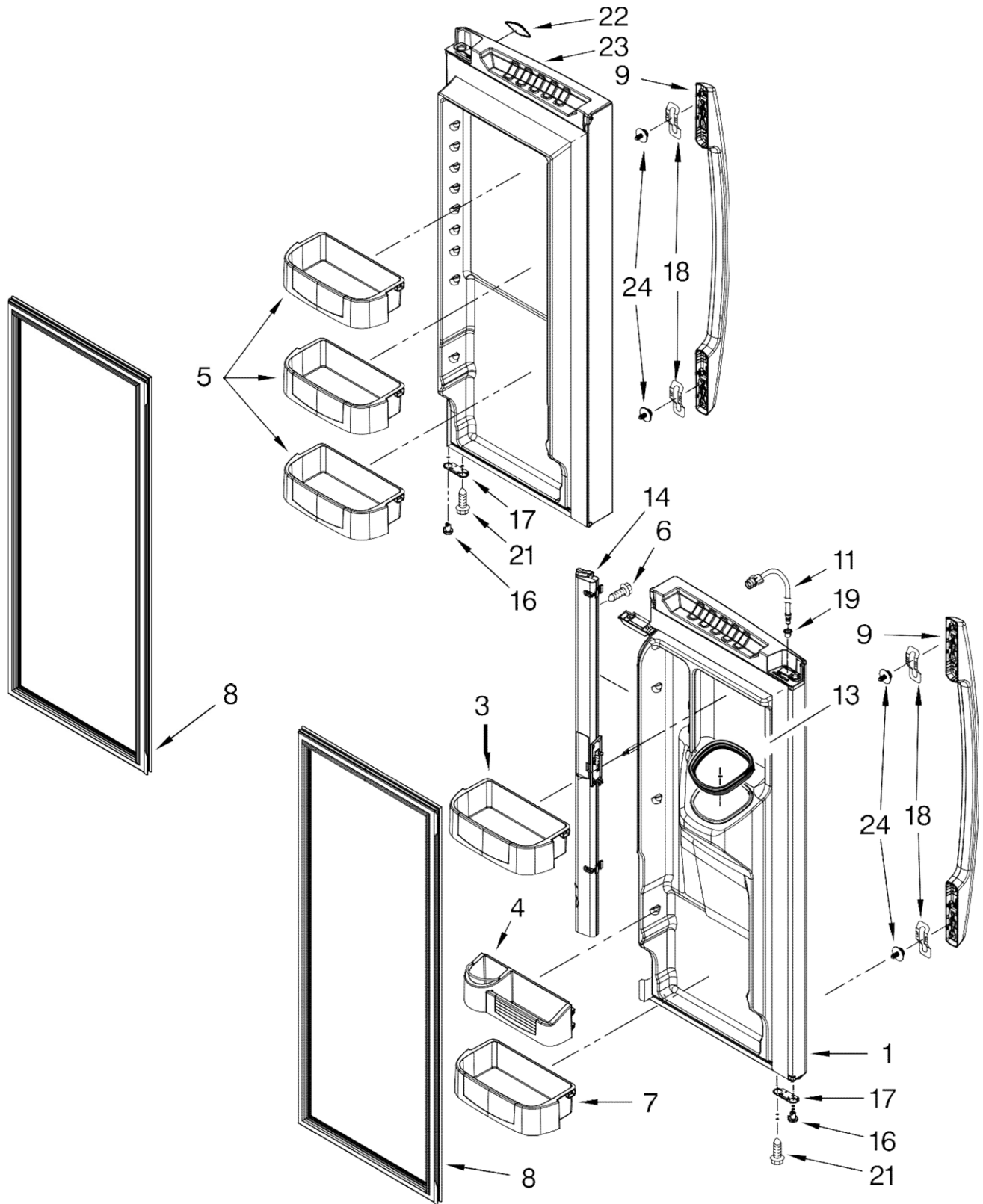


FOR ORDERING INFORMATION REFER TO PARTS PRICE LIST



Refrigerador Maytag MFI2670XEM1

Illus. No.	Part No.	DESCRIPTION
1		Liner (Not A Serviceable Part)
3	12002497	Gear (Includes Both)
5	12812903WD	Shaft, Rack
6	12570701	Socket, Light
7	A3189392	Gasket, Foam
8	12990521	Screw, Bracket
9	2255743	Bulb, Light
10	W10277466	Foil-FZ Light
11	W10308421	Cover, Evap
12	12990511	Screw
13		Bracket, Door Slide W10122147 Left W10122148 Right
14	W10315248	Module, Freezer Light
15	12956601	Clip, Fan Motor
16	12466111SP	Switch, Rocker
17	12990504	Screw, Fan Shroud To Basket
19	W10120018	Slide, Drawer (2)
20	A3189397	Gasket, Foam
21		Adapter W10284682 Left W10284683 Right
22	12959901	Grille, Air
23	12951401	Shroud, Evap Fan
24	12986101	Blade, Fan (Evaporator)
25	12951101	Grommet, Fan Motor (2)
26	W10276647	Motor, Evaporator Fan
27	D7753903	Funnel, Drain
28	M0500703	Seal, O Ring
29	B8381501	Gasket, Drain Tube
31	12815301	Cover, Thermistor
32	12990501	Screw, Adapter



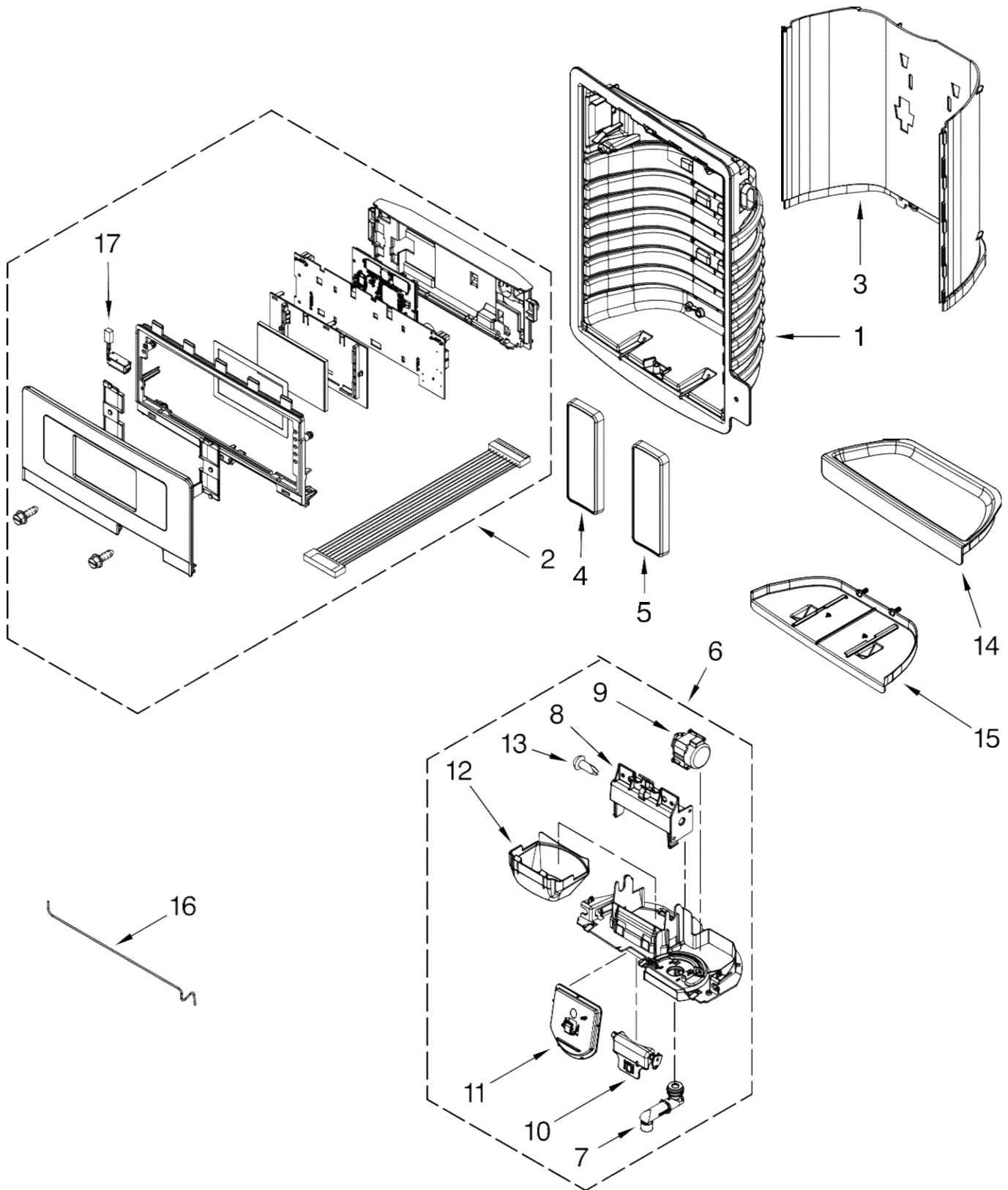
FOR ORDERING INFORMATION REFER TO PARTS PRICE LIST



Refrigerador Maytag MFI2670XEM1

Illus. No.	Part No.	DESCRIPTION
1		Door, Left
	13107303W	White
	13107303B	Black
	13107305S	Stainless
3	W10290553	Bucket, Upper
4	W10290555	Bucket, Wine
5	12840004	Bucket, Gallon
6	12990204	Screw
7	W10297151	Bucket, Lower
8		Gasket, Door
	W10163896	White
	W10163898	Black
	W10163991	Stainless
9		Handle, Door
	W10252284	White
	W10252285	Black
	W10252288	Stainless
11	W10296451	Waterline, Door
13	W10287601	Seal, Ice Chute
14		Mullion, Door
	12722815W	White
	12722815B	Black
	12722815AP	Stainless
16		Closure, Door
	12028505W	White
	12028505B	Black
	12028505AP	Stainless
17		Stop, Door
	12968202W	White
	12968202B	Black
	12968202AP	Stainless
18	2255411	Clip, Handle
19	12996601	Clip, Bushing Wire (Left Door)
21	12990521	Screw
22	W10170766	Nameplate
23		Door, Right
	13107304W	White
	13107304B	Black
	13107306S	Stainless
24	12992902	Screw, Handle (Shoulder)

Refrigerador Maytag MFI2670XEM1



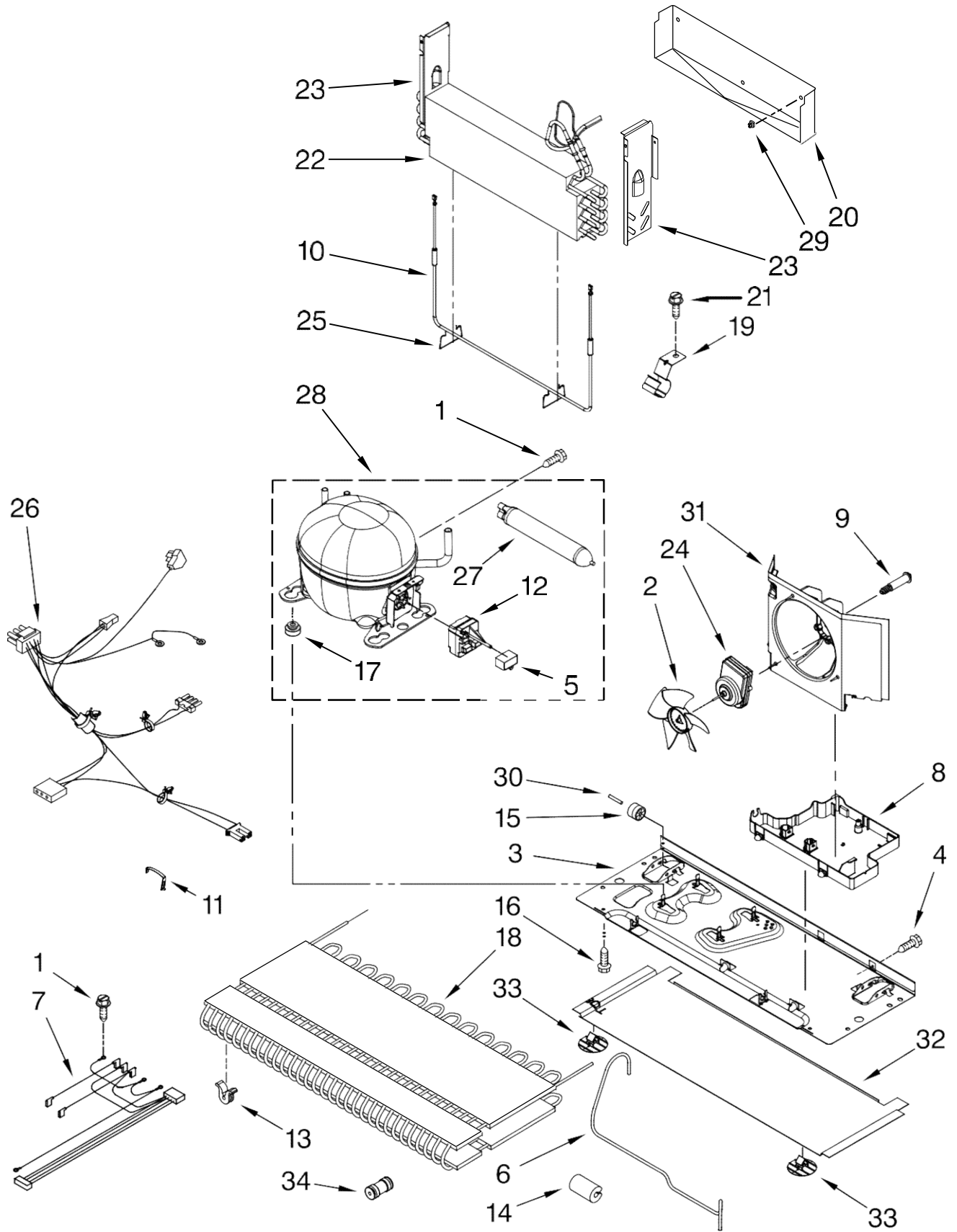
FOR ORDERING INFORMATION REFER TO PARTS PRICE LIST



## Refrigerador Maytag MFI2670XEM1

Illus. No.	Part No.	DESCRIPTION
1		Housing, Dispenser (Not Serviced)
2	W10337912	UI Assembly
3		False, Wall, Dispenser
	W10215699	White
	W10233560	Black
	W10299897	Stainless
4		Pad, Ice
	W10334789	White
	W10334792	Black
	W10334789	Stainless
5		Pad, Water
	W10334813	White
	W10334816	Black
	W10334813	Stainless
6	W10278973	Separator Assy.
7	2316647	Spigot
8	W10174827	Bracket, Ice Door
9	W10205979	Motor, Ice Door
10	W10174809	Support, Ice Door
11	W10174811	Door, Ice
12	W10174808	Guide, Ice
13	4449745	Screw
14		Tray, Dispenser
	W10267869	White
	W10267870	Black
	W10299895	Stainless
15		Slide Tray, Dispenser
	W10267860	White
	W10267861	Black
	W10267863	Stainless
16	W10296451	Tube, Water
17	W10238083	Led





FOR ORDERING INFORMATION REFER TO PARTS PRICE LIST



**Refrigerador Maytag MFI2670XEM1**

Illus. No.	Part No.	DESCRIPTION
1	12992301	Screw
2	12825803	Blade, Fan
3	W10210985	Basepan
4	12990511	Screw
5	2264017	Capacitor
6	W10217747	Tube, Discharge
7	W10276646	Harness-Evap. (Incl. Heater)
8	W10296785	Pan, Drain
9	W10216919	Screw, Shoulder
10	12729123	Heater, Defrost
11	W10204187	Strap, Bale
12	W10197428	Start Device
13	W10137529	Grommet, Cond (4)
14	2319835	Grommet, Condenser
15	12477102	Roller (2)
16	12992101	Screw
17	10835903SP	Grommet (4)
18	W10135026	Condenser
19	W10281329	Clip, Drier

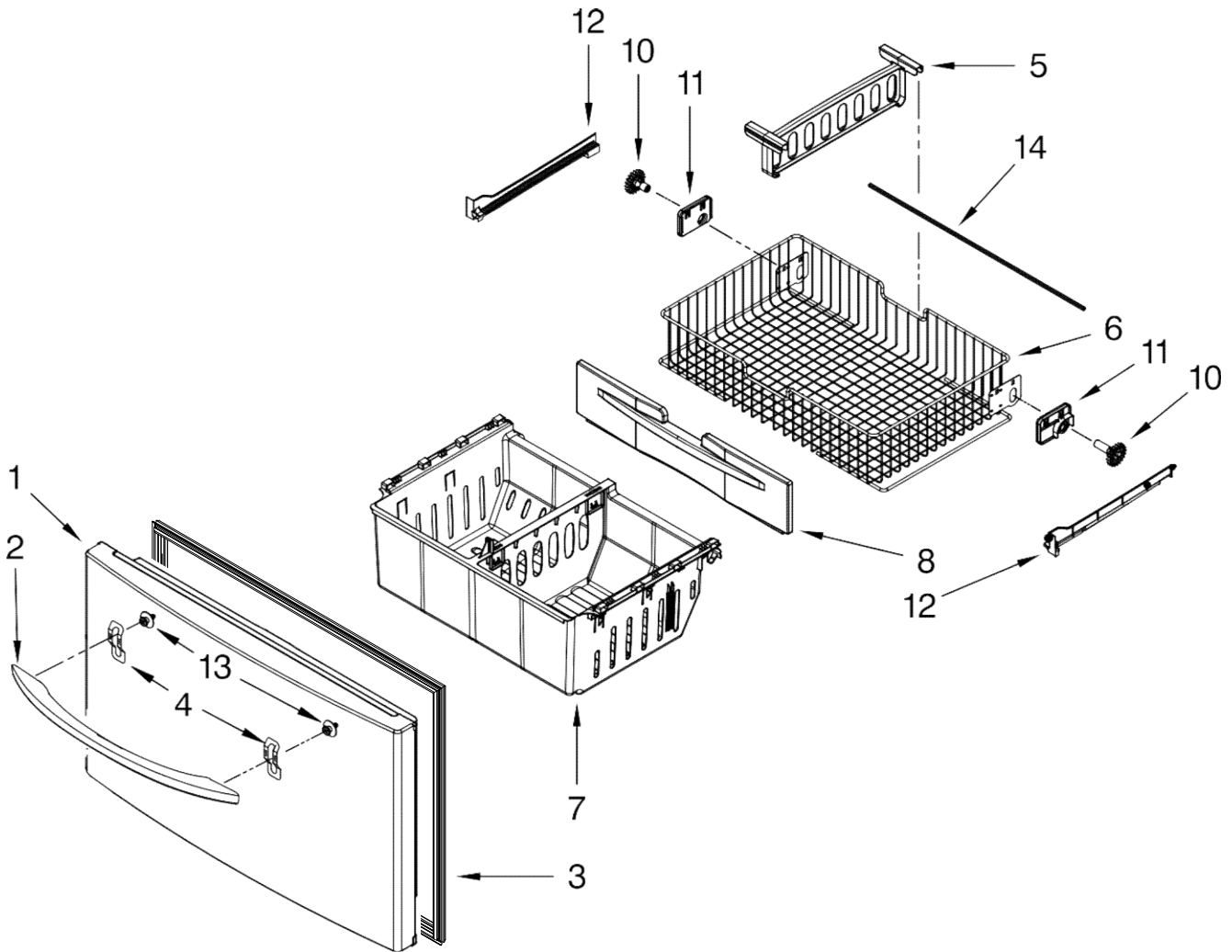
Illus. No.	Part No.	DESCRIPTION
20	W10292803	Tray, Drip
21	12990518	Screw
22	W10313899	Evaporator
23		Dam 12963102SP Right Side 12963002SP Left Side
24	W10239053	Motor, Fan
25	10428101	Clip, Heater
26	W10317702	Harness-Unit (Incl. Power Cord)
27	W10143759	Drier
28	W10134623	Compressor (Includes items 11,12,17,27)
29	10623002	Clip, Evaporator
30	12477202	Axle, Roller (2)
31	W10189184	Shroud
32	W10206338	Extension, Basepan
33	W10206339	Fastener, Basepan
34	W10334458	Connector, Water

Illus. No.	Part No.	DESCRIPTION
<del>Following Parts Not Illustrated and Optional Parts Not Included</del>		

978025	Valve, Access (1/4")
978026	Valve, Access (5/16")
978027	Valve, Access (3/8")
978028	Valve, Access (1/2")
978029	Valve, Access (5/8")
978030	Valve, Access (3/4")
876764	Valve, Access (3/16")

**REFRIGERANT CHARGE**

5.25 Ozs.  
(R-134A)



Illus. No.	Part No.	DESCRIPTION	Illus. No.	Part No.	DESCRIPTION	Illus. No.	Part No.	DESCRIPTION	
1	W10174214	Freezer Door White	3	W10164043	Gasket, Door White	10	W10158749	Gear Spur Right	
	12977834B	Black		W10164044	Black		W10146446	Left Gear Mount	
	12977846S	Stainless		W10164045	Stainless	11	W10233899	Right	
2	W10252296	Handle, Door White	4	2255411	Clip, Handle		W10233898	Left	
	W10252297	Black	5	W10146439	Divider, Upper Basket	12	W10284695	Rack Right	
	W10252300	Stainless	6	W10146448	Basket, Upper		W10284694	Left	
			7	W10293682	Bin, Lower		13	12992902	Screw, Handle (Shoulder)
			8	W10310696	Trim, Upper		14	12812904WD	Shaft, Rack

FOR ORDERING INFORMATION REFER TO PARTS PRICE LIST

# OPTIONAL PARTS (NOT INCLUDED)

For Models: MFI2670XEW1, MFI2670XEB1, MFI2670XEM1  
(White) (Black) (Monochromatic Stainless)

Illus. No.	Part No.	DESCRIPTION	Illus. No.	Part No.	DESCRIPTION	Illus. No.	Part No.	DESCRIPTION
Parts Not Illustrated and Optional Parts (Not Included)			<u>Miscellaneous</u>			<u>TORX SCREW WRENCH</u>		
<u>Customer Touch-Up Material</u>			212643		Sealer, Gum (4 Feet)			1117510 Torx Key
	*350942	Primer, White (13 Oz. Spray Can)	479502		Tape, Vinyl (3/4 x 108")			
	*350939	Enamel, Black (13 Oz. Spray Can)	876370		Kit, Insulation (2 Pcs. x 3" x 24" X 48")			
	*350930	Enamel, White (13 Oz. Spray Can)	876305		Kit, Insulation (14 Pcs. x 3" x 24" x 48")			
	22002901	Enamel, Bisque (12 OZ. Spray Can)	978941		Insulation, Fiberglass (63-1/2" x 35-1/2" X 2-5/8)			
	22002900	Enamel, Bisque (.6 OZ. Bottle)	876029		Kit, Foam Slab (30" x 32-1/2" x 1-1/2")			
	72017	Brush Touch-Up Kit (White)	505587		Sealer, Mastic (1 Qt.)			
	72032	Brush Touch-up kit (Black)	503695		Cork, Sealer (1/4 Pound)			
<p>*Important: The spray paint is not to be used where the paint may make contact with the door gaskets.</p>			20000008		Cleaner, Stnls Steel Magic			
<u>Refinishing Material</u>			542638		Grease, Silicone (1/2 Oz.)			
	799340	Enamel, Black (1 Qt. Uncut)	542639		Cement, Alumilastic (1-1/4 Oz.)			
	799344	Enamel, White (1 Qt. Uncut)	606755		Bag, Insulation (36-5/8" x 46")			
			833938		Kit, Terminal Connector			