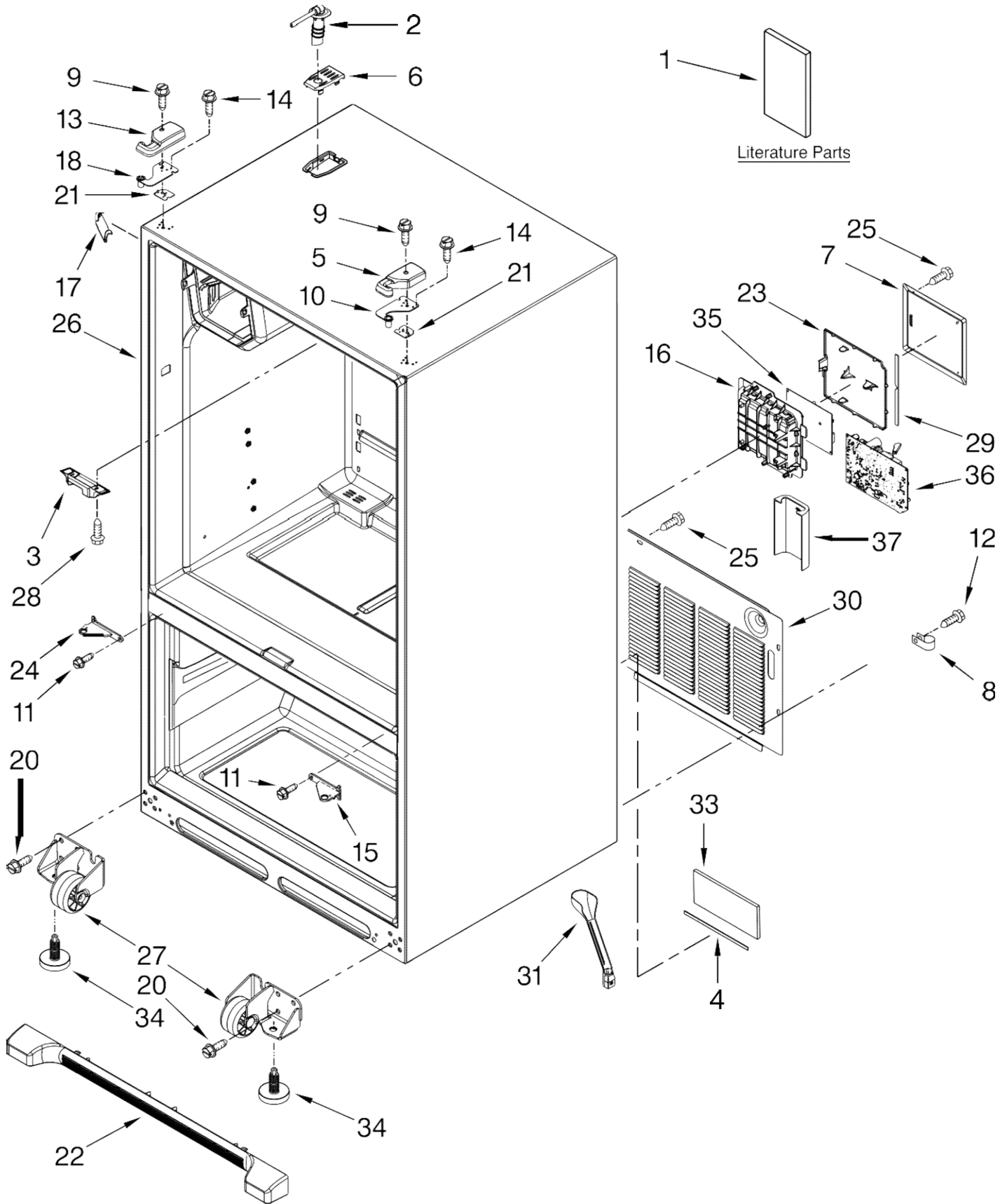


Refrigerador Maytag MFI2670XEM3



FOR ORDERING INFORMATION REFER TO PARTS PRICE LIST

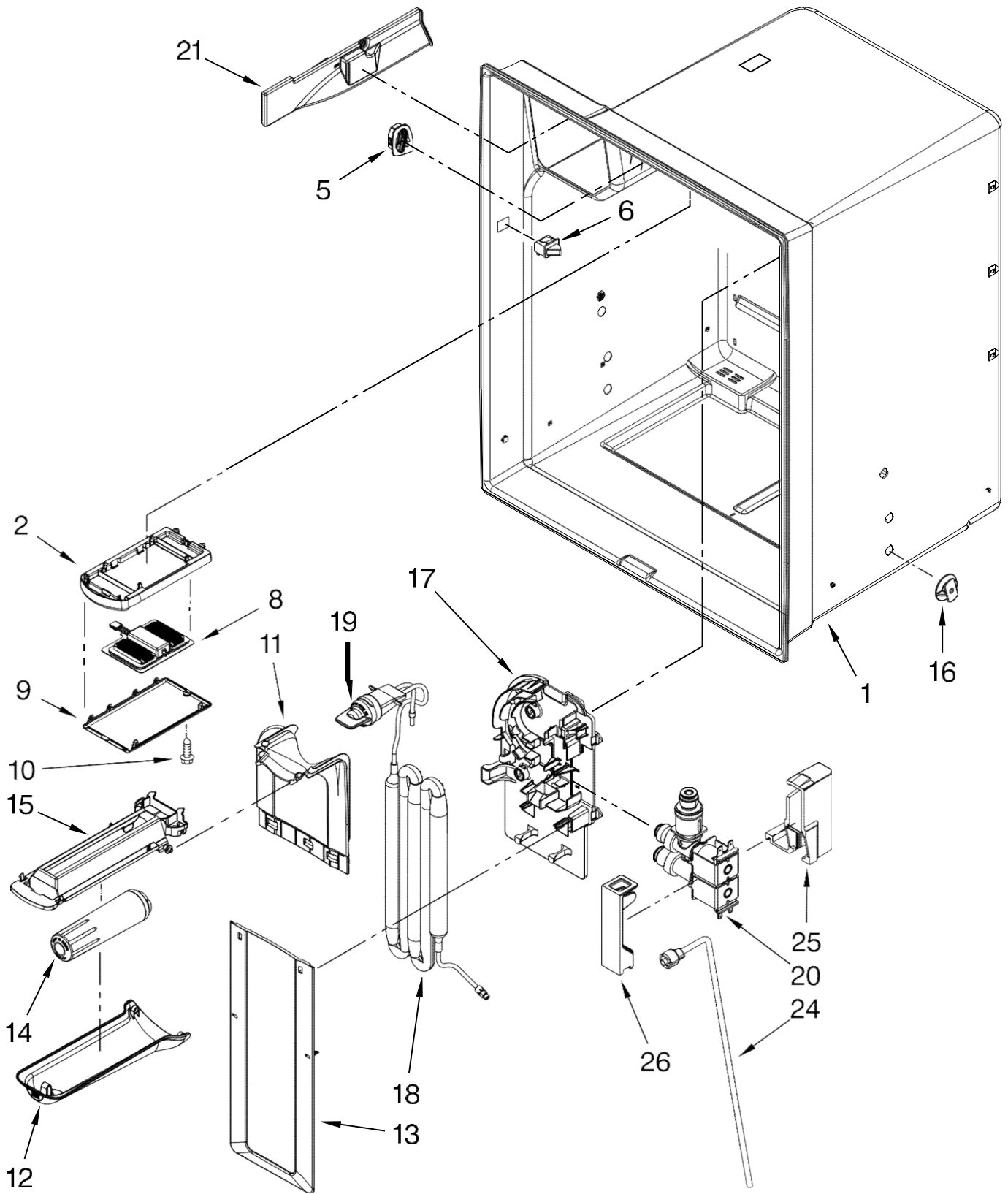


Refrigerador Maytag MFI2670XEM3

Illus. No.	Part No.	DESCRIPTION
1		Literature Parts
	W10341192	Tech Sheet
	W10314958	Use & Care Guide
	W10310961	Guide, Energy
2	12961401	Tube W/Waterline, Fill-IM
3	12698403	Block, Pivot
4	B5759655	Gasket, MC Back
5		Cover, Top Hinge (Right)
	12962302W	White
	12962302B	Black
	12962302AP	Stainless
6		Cover, Fill Tube
	12981401W	White
	12981401B	Black
	12981401AP	Stainless
7	12961602	Cover, Control Box
8	M0108107	Clamp, Tube
9	12992602	Screw, Hinge Cover
10	12963205ED	Hinge, TopRight

Illus. No.	Part No.	DESCRIPTION
11	12992201	Screw, Center Hinge
12	12990511	Screw (3)
13		Cover, Top Hinge (Left)
	12962301W	White
	12962301B	Black
	12962301AP	Stainless
14	12992403	Screw, Top Hinge
15		Hinge, Center (RT)
	13000002WD	White
	13000008ED	Black
	13000002AP	Stainless
16	W10285271	Box, HV Control
17		Cover, Corner (2)
	12587703W	White
	12587703B	Black
	12587703AP	Stainless
18	12963204ED	Hinge, TopLeft
20	12991302	Screw (8)
21		Shim, Top Hinge
	12999501	Left
	12999502	Right

Illus. No.	Part No.	DESCRIPTION
22		Grille, Toe
	W10244559	White
	W10244561	Black
	W10244558	Stainless
23	W10296541	Lid, HV Control
24		Hinge, Center (LT)
	13000001WD	White
	13000007ED	Black
	13000001AP	Stainless
25	12990702	Screw, Cover
26		Cabinet (Not A Servicable Part)
27		Roller Assembly
	W10275849	Right
	W10275850	Left
28	12990302	Screw, Block
29	12957801K	Gasket, HV Control
30	W10211854	Cover, MC Back
31	W10210988	Tube, Drain
33	12820505	Fiber, Acoustic
34	W10141622	Brake, Foot
35	W10285199	Board, HV Control
36	W10226427	Supply, Power
37	W10208592	Guard, Water Valve

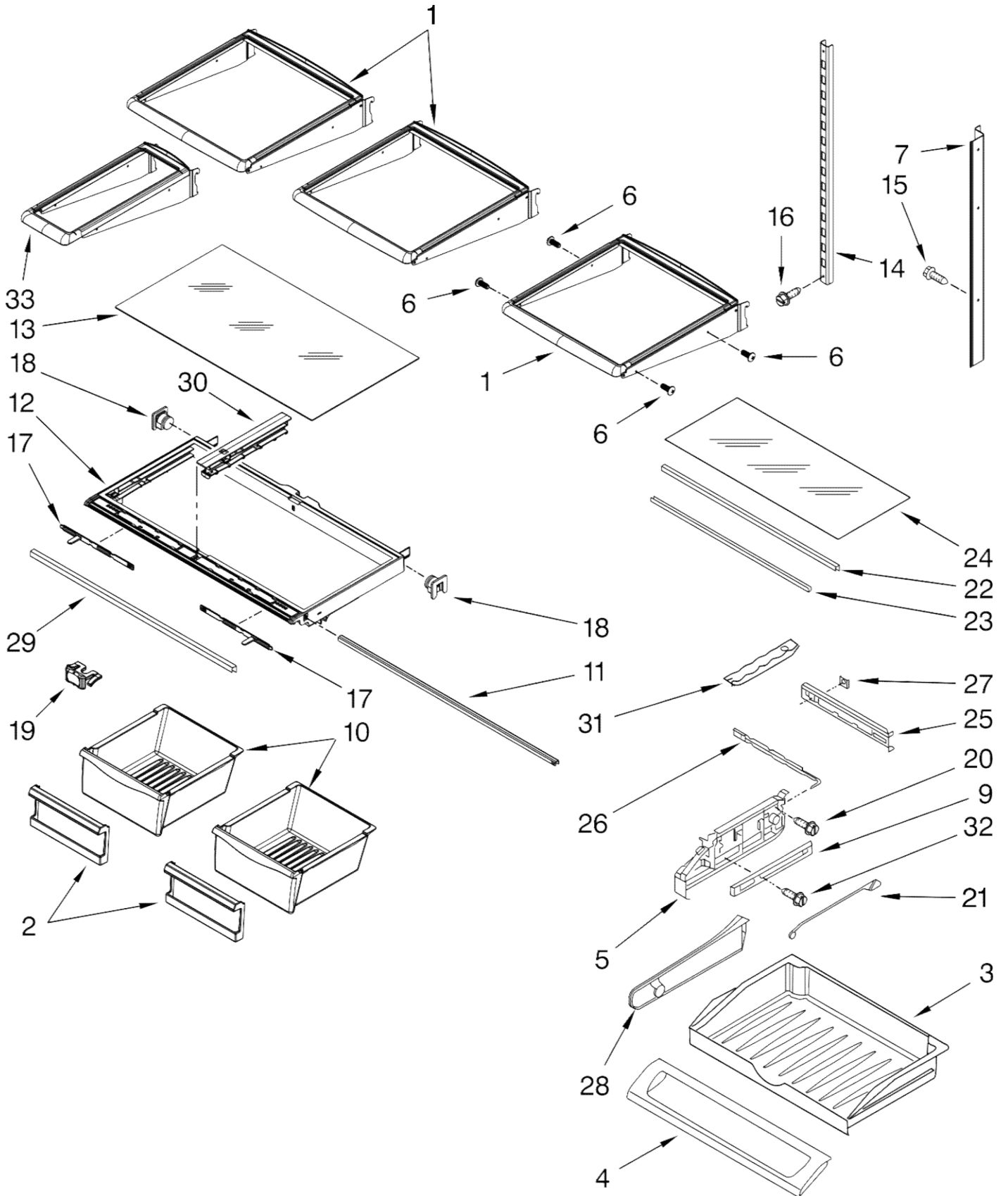


FOR ORDERING INFORMATION REFER TO PARTS PRICE LIST



Refrigerador Maytag MFI2670XEM3

Illus. No.	Part No.	DESCRIPTION
1		Liner (Not A Serviceable Part)
2	W10343359	Housing, Led
5	13008201	Grille, Air
6	12466103	Switch, Light (2)
8	W10289592	Light, Main Led
9	W10311756	Lens, RC Led
10	3400065	Screw
11	12960101	Cover, Water Tank (Upper)
12	12960301	Lid, Water Filter
13	12960001	Cover, Water Tank (Lower)
14	UKF8001AXX	Filter, Water
15	12955901	Bracket, Filter Base
16	W10190541	Mount, Crisper
17	12956001	Bracket, Water Tank & Valve
18	W10355526	Water Tank & Head Assembly
19	12664501SP	Plug, Bypass
20	W10312696	Valve, Dual Water
21	W10309869	Cover, Ice Box Harness
24	W10290356	Waterline, Cabinet (W/Nut)
25	W10118193	Enclosure, Water Valve Connector
26	W10118194	Lid, Enclosure

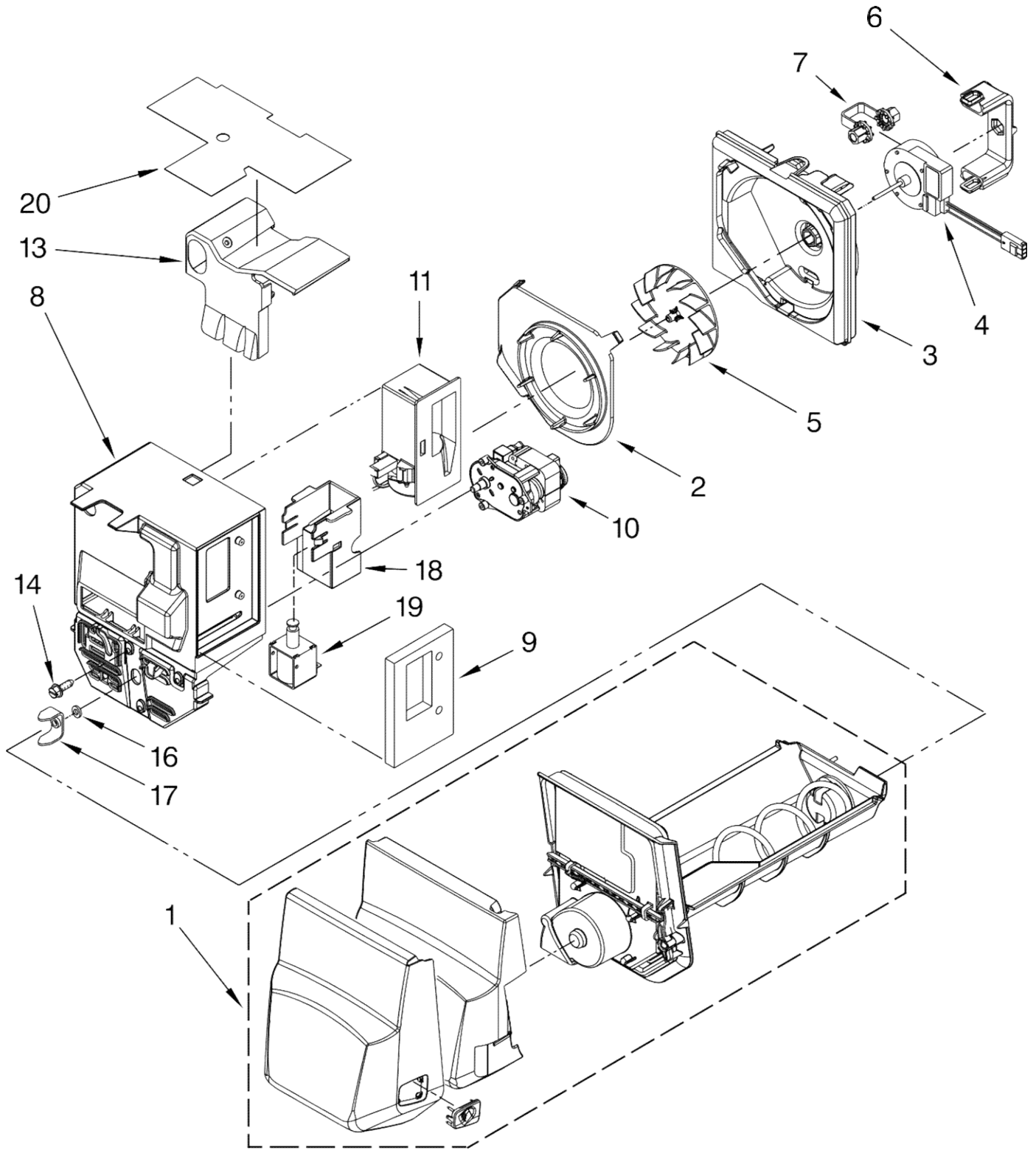


FOR ORDERING INFORMATION REFER TO PARTS PRICE LIST



Refrigerador Maytag MFI2670XEM3

Illus. No.	Part No.	DESCRIPTION
1	12883507	Shelf, Glide
2	12802602SP	Handle, Crisper Pan (2)
3	12731302	Drawer, Pantry
4	12656815	Lid, Pantry
5		Endcap, Pantry
	12656019	Right
	12656106	Left
6	12990302	Track, Pantry
7		Ladder, Side
	W10251965	Right
	W10251966	Left
9	W10235370	Glide, Pantry
10	12804601SP	Pan, Crisper (2)
11	12642303WD	Brace, Crisper Cover
12	W10329866	Frame, Crisper
13	12204824	Glass, Crisper Cover
14	W10273464	Ladder, Center
15	12990513	Screw
16	12990515	Screw (2)
17	12530805SP	Slide, Humidity Control
18	13062602	Supports, Crisper Frame
19	12655204V	Knob, Humidity Control
20	12990504V	Screw
21	12655304	Rod, Temp Control
22	12655902SP	Extr, Glass Support
23	12227305WH	Brace, Pantry
24	12204830	Shelf, Glass
25	12656202	Control, Housing
26	12655402	Slide, Temperature
27	12656901	Gasket, Pantry
28	12731901	Divider, Pantry
29	W10231345	Trim, Crisper
30	W10326469	Rail, Center
31	12531901	Track, Deli
32	12990512	Screw
33	12885501N	Shelf, Mini

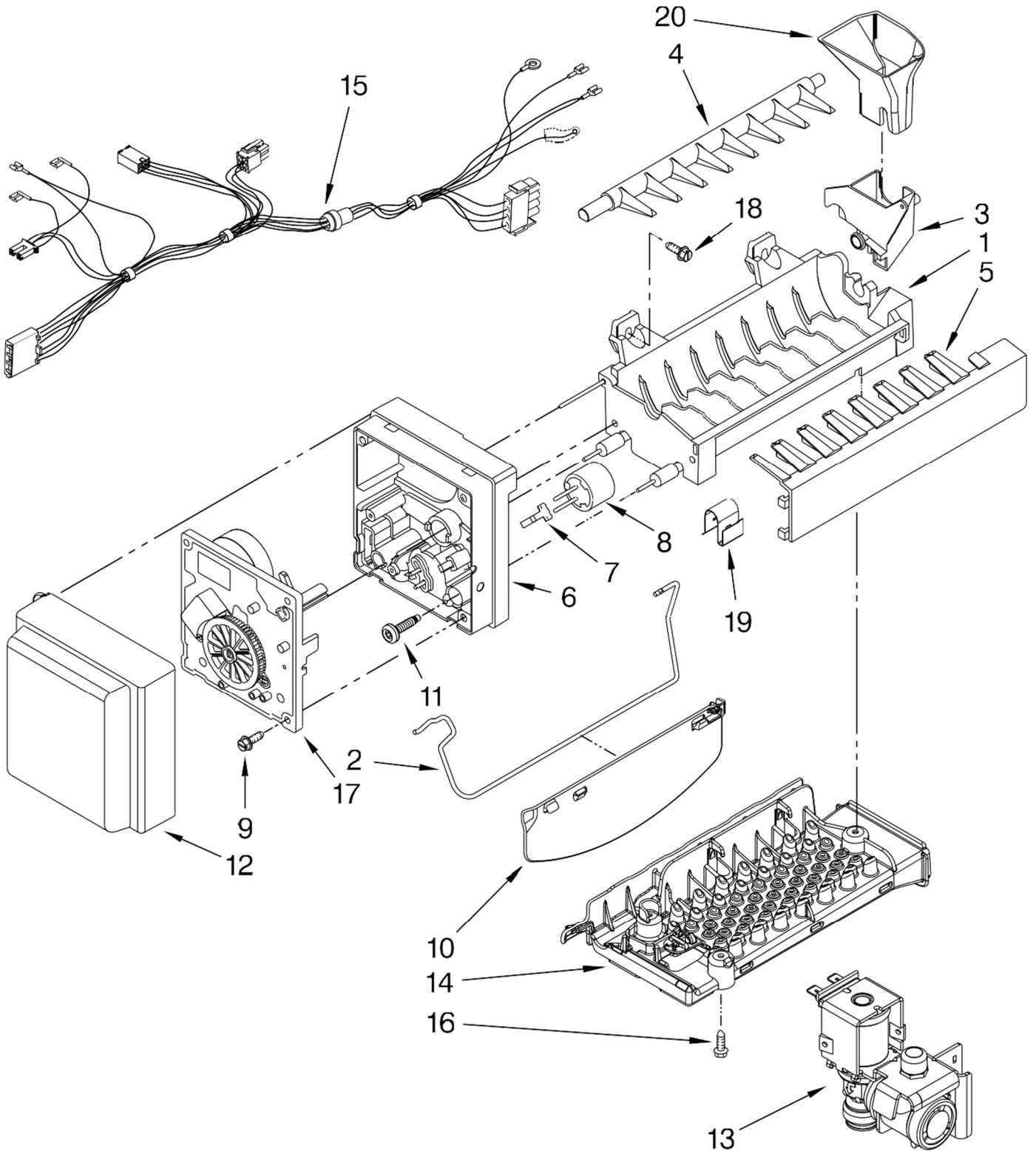


FOR ORDERING INFORMATION REFER TO PARTS PRICE LIST



Refrigerador Maytag MFI2670XEM3

Illus. No.	Part No.	DESCRIPTION
1	W10347671	Ice Bin Assembly (Includes Auger)
2	W10121282	Inlet, Blower
3	W10309863	Scroll, Blower
4	W10308033	Motor, Fan
5	W10123444	Wheel, Blower
6	12956603	Clip, Fan Motor
7	W10151687	Grommet, Fan Motor
8	W10309864	Divider, Ice Box
9	12920001	Gasket, Damper
10	W10309868	Motor, Auger
11	W10196393	Damper, Control
13	W10118612	Liner, Divider
14	12990511	Screw (3)
16	420107A700	Washer
17	63052A001	Yoke, Ice Dispenser
18	W10346971	Bracket, Solenoid
19	W10309866	Assy, Solenoid
20	W10142628	Foil, Ice Box



FOR ORDERING INFORMATION REFER TO PARTS PRICE LIST

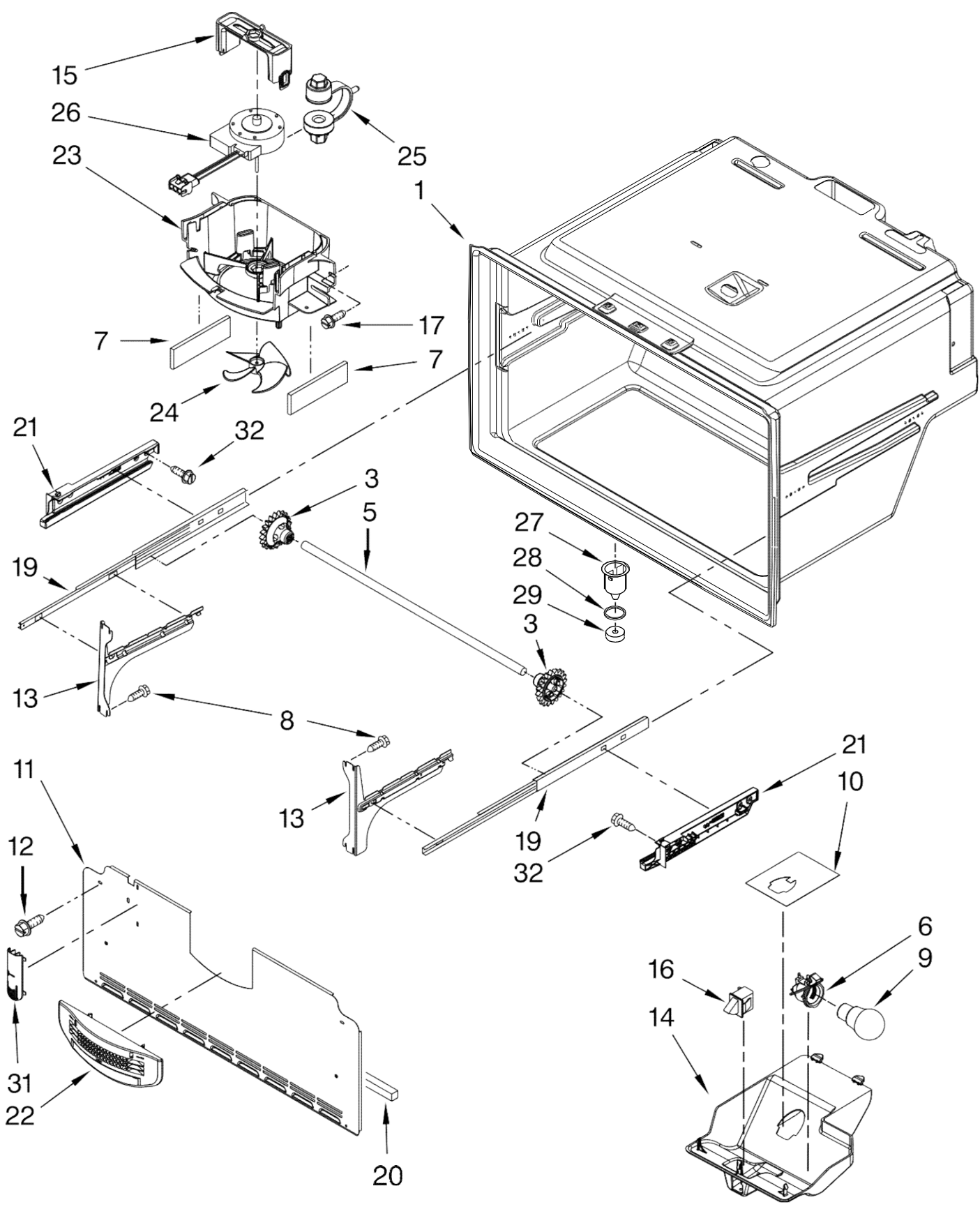


Refrigerador Maytag MFI2670XEM3

Illus. No.	Part No.	DESCRIPTION
1	W10300025	Mold & Heater Assembly (Also Order 542638 Grease)
2	W10175514	Arm, Shutoff
3	W10327050	Cup, Fill
4	W10318914	Ejector
5	W10122563	Ice Stripper
6	2194712	Support, Housing
7	2315522	Retainer, Thermostat
8	W10290336	Thermostat (Also Order 542369 Cement)
9	W10001240	Screw (3)
10	W10121440	Extension, Shutoff Arm
11	8533917	Screw (2)
12	W10290556	Cover
13	W10342318	Valve, Single
14	W10312691	Impinger Assy.
15	W10322960	Harness, Icemaker
16	12990511	Screw, Impinger
17	626691	Module Assembly
18	W10001240	Screw (3)
19	628379	Clip
20	W10121434	Insert, Fill Cup
100	W10300024	Icemaker Assembly

Following Parts Not Illustrated

10244904SP Coupling

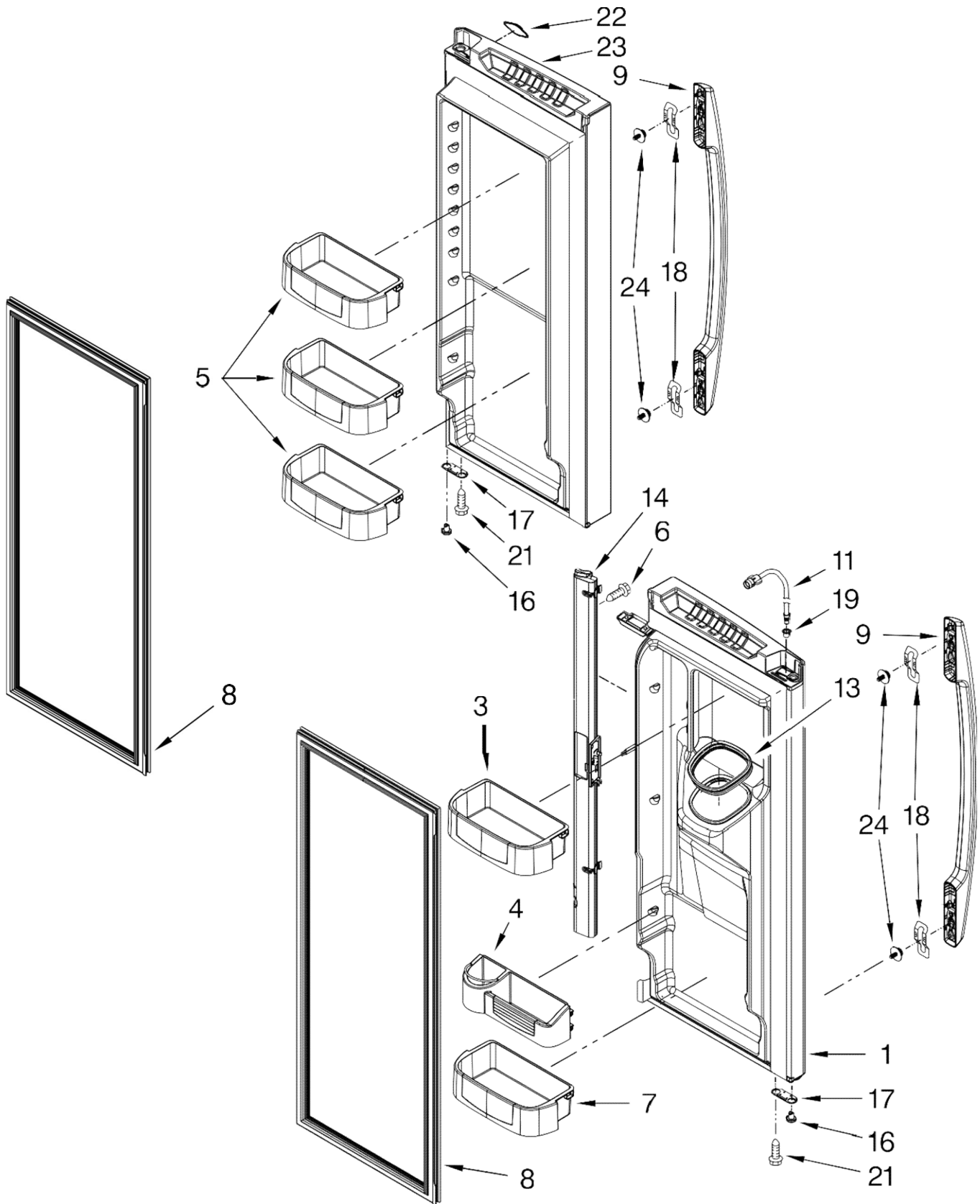


FOR ORDERING INFORMATION REFER TO PARTS PRICE LIST



Refrigerador Maytag MFI2670XEM3

Illus. No.	Part No.	DESCRIPTION
1		Liner (Not A Serviceable Part)
3	12002497	Gear (Includes Both)
5	12812903WD	Shaft, Rack
6	12570701	Socket, Light
7	A3189392	Gasket, Foam
8	12990521	Screw, Bracket
9	2255743	Bulb, Light
10	W10277466	Foil-FZ Light
11	W10308421	Cover, Evap
12	12990511	Screw
13		Bracket, Door Slide
	W10122147	Left
	W10122148	Right
14	W10315248	Module, Freezer Light
15	12956601	Clip, Fan Motor
16	12466111SP	Switch, Rocker
17	12990504	Screw, Fan Shroud To Basket
19	W10120018	Slide, Drawer (2)
20	A3189397	Gasket, Foam
21		Adapter
	W10284682	Left
	W10284683	Right
22	12959901	Grille, Air
23	12951401	Shroud, Evap Fan
24	12986101	Blade, Fan (Evaporator)
25	12951101	Grommet, Fan Motor (2)
26	W10276647	Motor, Evaporator Fan (Incls Harness)
27	D7753903	Funnel, Drain
28	M0500703	Seal, O Ring
29	B8381501	Gasket, Drain Tube
31	12815301	Cover, Thermistor
32	12990501	Screw, Adapter

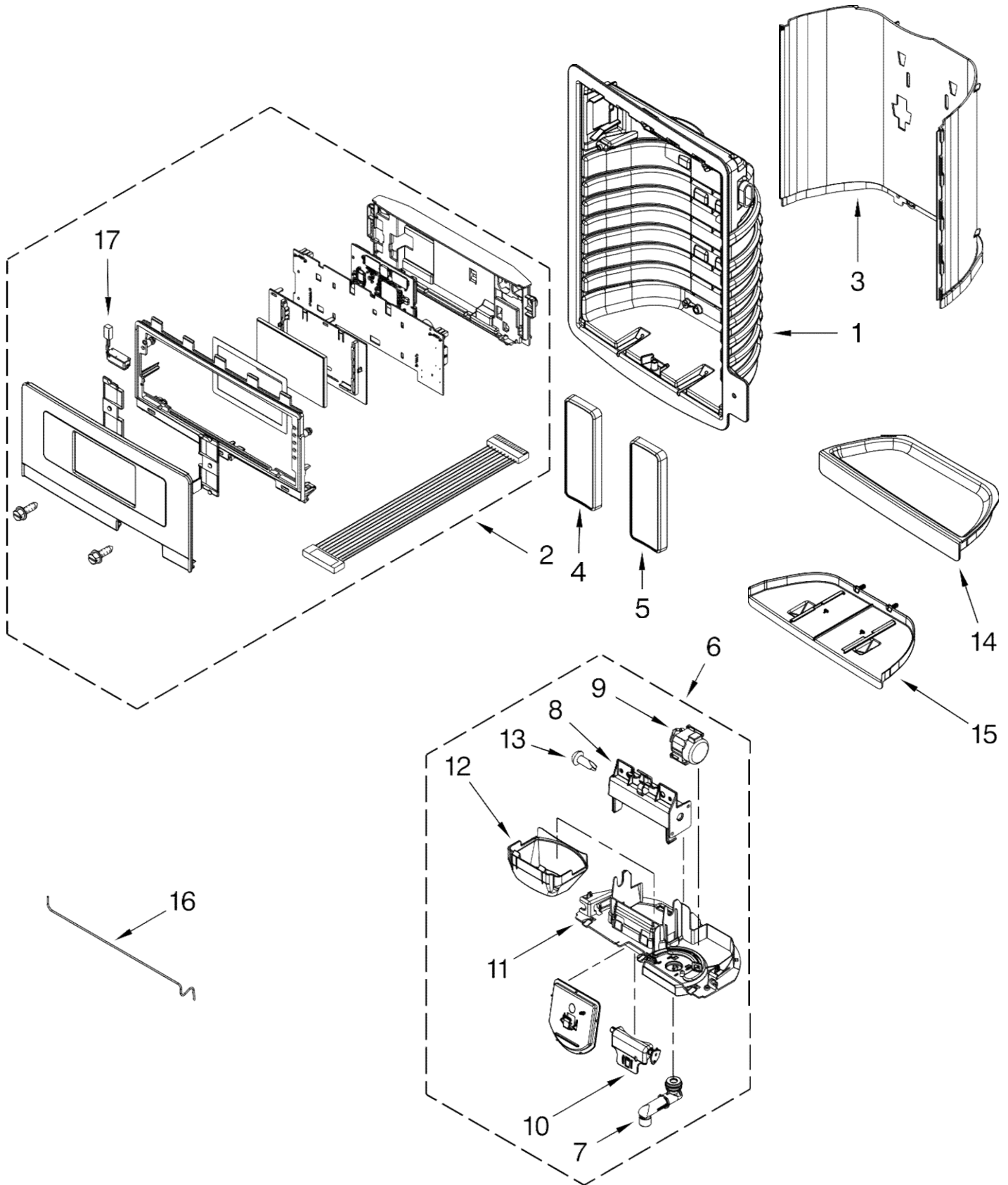


FOR ORDERING INFORMATION REFER TO PARTS PRICE LIST



Refrigerador Maytag MFI2670XEM3

Illus. No.	Part No.	DESCRIPTION
1		Door, Left
	13107303W	White
	13107303B	Black
	13107305S	Stainless
3	W10290553	Bucket, Upper
4	W10290555	Bucket, Wine
5	12840004	Bucket, Gallon
6	12990204	Screw
7	W10297151	Bucket, Lower
8		Gasket, Door
	W10163896	White
	W10163898	Black
	W10163991	Stainless
9		Handle, Door
	W10252284	White
	W10252285	Black
	W10252288	Stainless
11	W10296451	Waterline, Door
13	W10287601	Seal, Ice Chute
14		Mullion, Door
	12722815W	White
	12722815B	Black
	12722815AP	Stainless
16		Closure, Door
	12028505W	White
	12028505B	Black
	12028505AP	Stainless
17		Stop, Door
	12968202W	White
	12968202B	Black
	12968202AP	Stainless
18	2255411	Clip, Handle
19	12996601	Clip, Bushing Wire (Left Door)
21	12990521	Screw
22	W10170766	Nameplate
23		Door, Right
	13107304W	White
	13107304B	Black
	13107306S	Stainless
24	12992902	Screw, Handle (Shoulder)



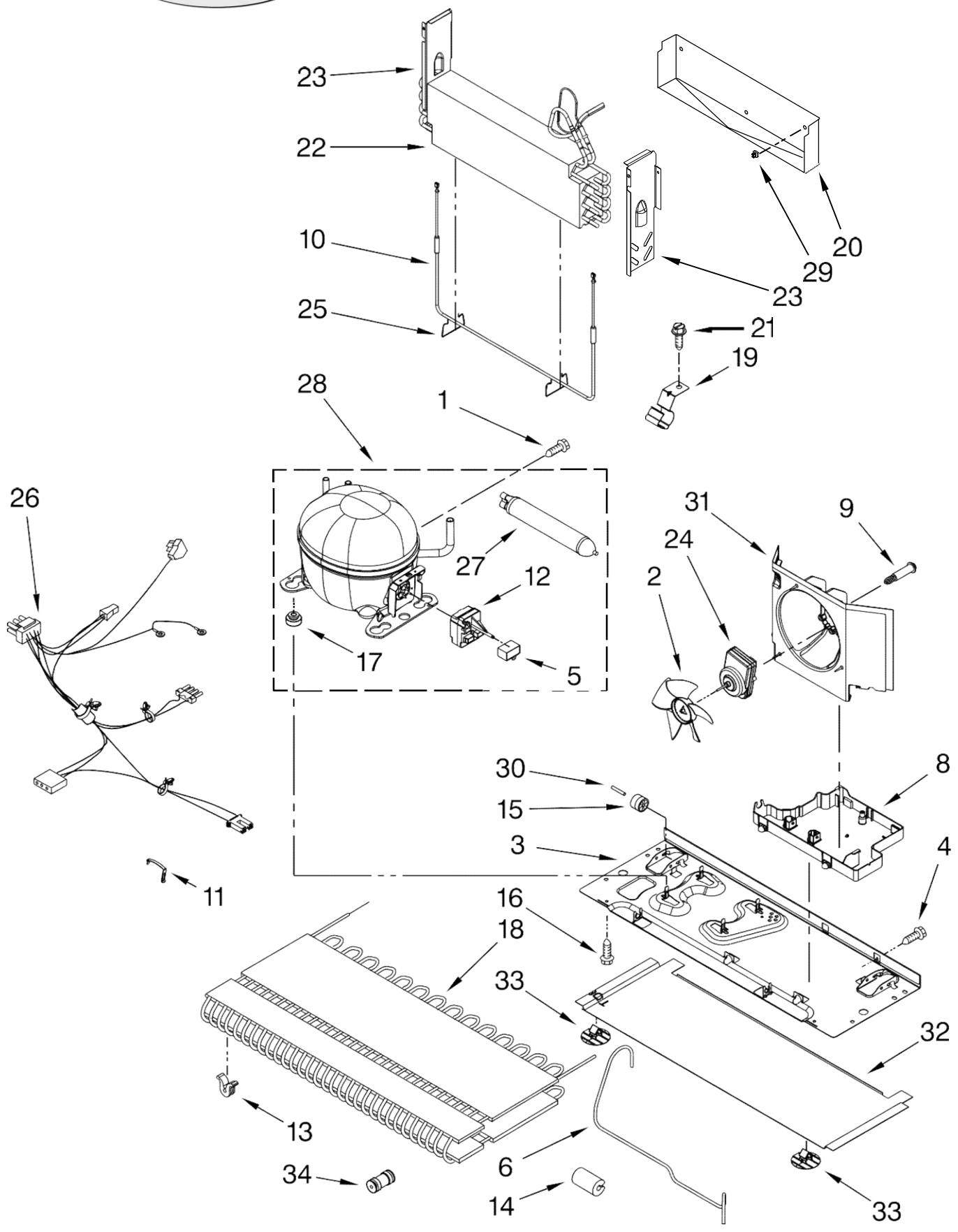
FOR ORDERING INFORMATION REFER TO PARTS PRICE LIST



Refrigerador Maytag MFI2670XEM3

Illus. No.	Part No.	DESCRIPTION
1		Housing, Dispenser (Not Serviced)
2	W10337912	UI Assembly
3		False, Wall, Dispenser
	W10215699	White
	W10233560	Black
	W10299897	Stainless
4		Pad, Ice
	W10334789	White
	W10334792	Black
	W10334789	Stainless
5		Pad, Water
	W10334813	White
	W10334816	Black
	W10334813	Stainless
6	W10353552	Separator Assy.
7	2316647	Spigot
8	W10174827	Bracket, Ice Door
9	W10205979	Motor, Ice Door
10	W10346124	Support, Ice Door
11	W10278987	Separator
12	W10339578	Guide, Ice
13	4449745	Screw
14		Tray, Dispenser
	W10267869	White
	W10267870	Black
	W10299895	Stainless
15		Slide Tray, Dispenser
	W10267860	White
	W10267861	Black
	W10267863	Stainless
16	W10296451	Tube, Water
17	W10238083	Led

Refrigerador Maytag MFI2670XEM3



FOR ORDERING INFORMATION REFER TO PARTS PRICE LIST



Refrigerador Maytag MFI2670XEM3

Illus. No.	Part No.	DESCRIPTION
1	12992301	Screw
2	12825803	Blade, Fan
3	W10210985	Basepan
4	12990511	Screw
5	2264017	Capacitor
6	W10390735	Tube, Discharge
8	W10296785	Pan, Drain
9	W10216919	Screw, Shoulder
10	12729123	Heater, Defrost
11	W10204187	Strap, Bale
12	W10197428	Start Device
13	W10137529	Grommet, Cond (4)
14	2319835	Grommet, Condenser
15	12477102	Roller (2)
16	12992101	Screw
17	10835903SP	Grommet (4)
18	W10135026	Condenser
19	W10281329	Clip, Drier

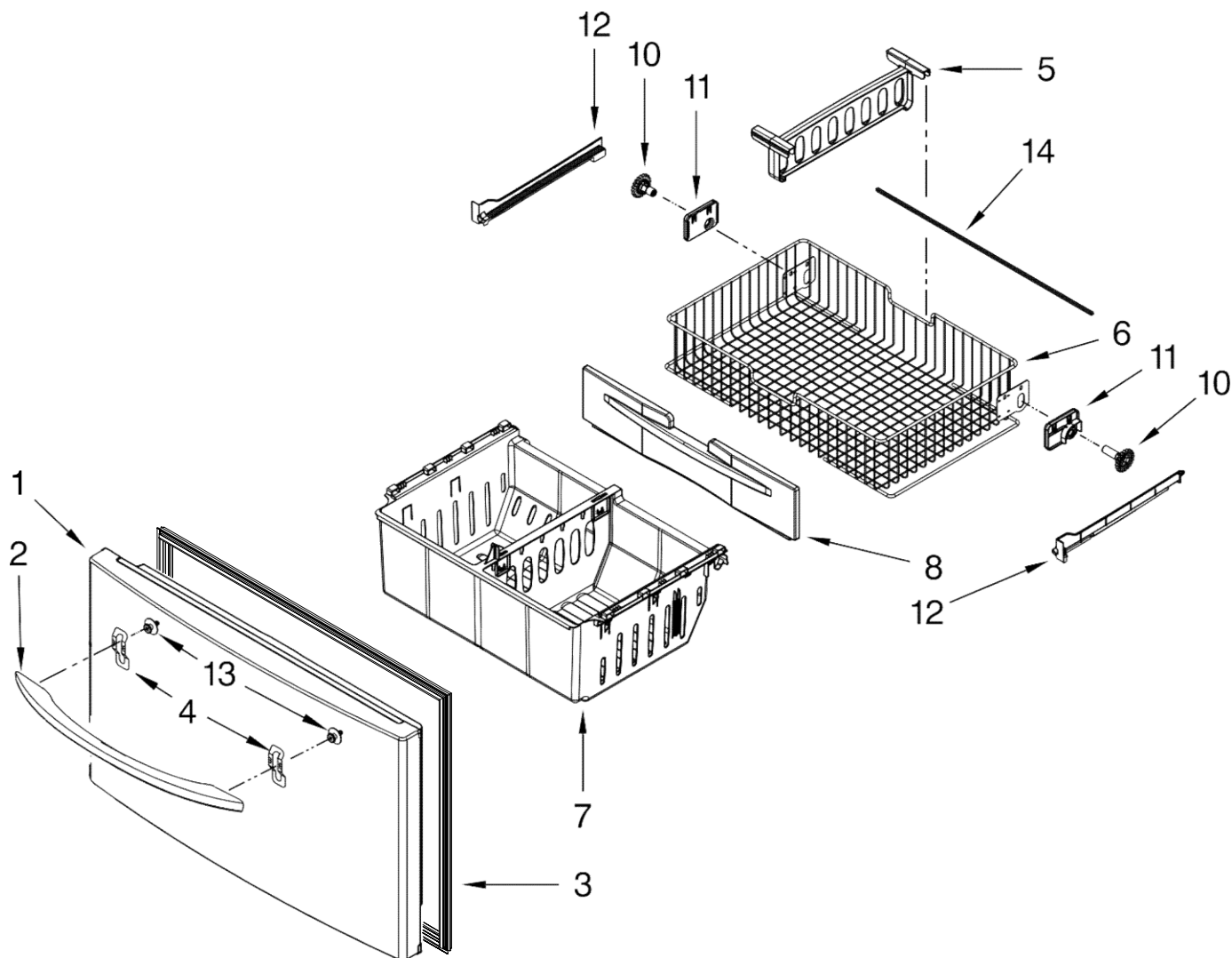
Illus. No.	Part No.	DESCRIPTION
20	W10292803	Tray, Drip
21	12990518	Screw
22	W10313899	Evaporator
23		Dam
	12963102SP	Right Side
	12963002SP	Left Side
24	W10239053	Motor, Fan
25	10428101	Clip, Heater
26	W10317702	Harness-Unit (Incl.Power Cord)
27	W10143759	Drier
28	W10134623	Compressor (Includes items 11,12,17,27)
29	10623002	Clip, Evaporator
30	12477202	Axle, Roller (2)
31	W10189184	Shroud
32	W10206338	Extension, Basepan
33	W10206339	Fastener, Basepan
34	W10334458	Connector, Water

Illus. No.	Part No.	DESCRIPTION
Following Parts Not Illustrated and Optional Parts Not Included		

978025	Valve, Access (1/4")
978026	Valve, Access (5/16")
978027	Valve, Access (3/8")
978028	Valve, Access (1/2")
978029	Valve, Access (5/8")
978030	Valve, Access (3/4")
876764	Valve, Access (3/16")

REFRIGERANT CHARGE

5.25 Ozs.
(R-134A)



Illus. No.	Part No.	DESCRIPTION
1	W10174214	Freezer Door
	12977834B	White
	12977846S	Black
		Stainless
2	W10252296	White
	W10252297	Black
	W10252300	Stainless

Illus. No.	Part No.	DESCRIPTION
3	W10164043	Gasket, Door
	W10164044	White
	W10164045	Black
		Stainless
4	2255411	Clip, Handle
5	W10146439	Divider, Upper
		Basket
6	W10146448	Basket, Upper
7	W10293682	Bin, Lower
8	W10310696	Trim, Upper
10	W10158749	Gear Spur
	W10146446	Right
		Left

Illus. No.	Part No.	DESCRIPTION
11	W10348260	Gear Mount
	W10348259	Right
		Left
12	W10284695	Rack
	W10284694	Right
		Left
13	12992902	Screw, Handle
		(Shoulder)
14	12812904WD	Shaft, Rack

FOR ORDERING INFORMATION REFER TO PARTS PRICE LIST

OPTIONAL PARTS (NOT INCLUDED)

For Models: MFI2670XEW3, MFI2670XEB3, MFI2670XEM3

(White)

(Black) (Monochromatic Stainless)

Illus. No.	Part No.	DESCRIPTION
------------	----------	-------------

Parts Not Illustrated and
Optional Parts (Not Included)

Customer Touch-Up Material

- * 350942 Primer, White
(13 Oz. Spray Can)
- * 350939 Enamel, Black
(13 Oz. Spray Can)
- * 350930 Enamel, White
(13 Oz. Spray Can)
- 22002901 Enamel, Bisque
(12 OZ. Spray Can)
- 22002900 Enamel, Bisque
(.6 OZ. Bottle)
- 72017 Brush Touch-Up Kit
(White)
- 72032 Brush Touch-up kit
(Black)

* **Important:** The spray paint is not to be used where the paint may make contact with the door gaskets.

Refinishing Material

- 799340 Enamel, Black
(1 Qt. Uncut)
- 799344 Enamel, White
(1 Qt. Uncut)

Illus. No.	Part No.	DESCRIPTION
------------	----------	-------------

Miscellaneous

- 212643 Sealer, Gum
(4 Feet)
- 479502 Tape, Vinyl
(3/4 x 108")
- 876370 Kit, Insulation
(2 Pcs. x 3" x 24" X 48")
- 876305 Kit, Insulation
(14 Pcs. x 3" x 24" x 48")
- 978941 Insulation,
Fiberglass
(63-1/2" x 35-1/2" X 2-5/8)
- 876029 Kit, Foam Slab
(30" x 32-1/2" x 1-1/2")
- 505587 Sealer, Mastic
(1 Qt.)
- 503695 Cork, Sealer
(1/4 Pound)
- 20000008 Cleaner,
Stnls Steel Magic
- 542638 Grease, Silicone
(1/2 Oz.)
- 542639 Cement,
Alumilastic
(1-1/4 Oz.)
- 606755 Bag, Insulation
(36-5/8" x 46")
- 833938 Kit, Terminal
Connector

Illus. No.	Part No.	DESCRIPTION
------------	----------	-------------

TORX SCREW WRENCH

- 1117510 Torx Key