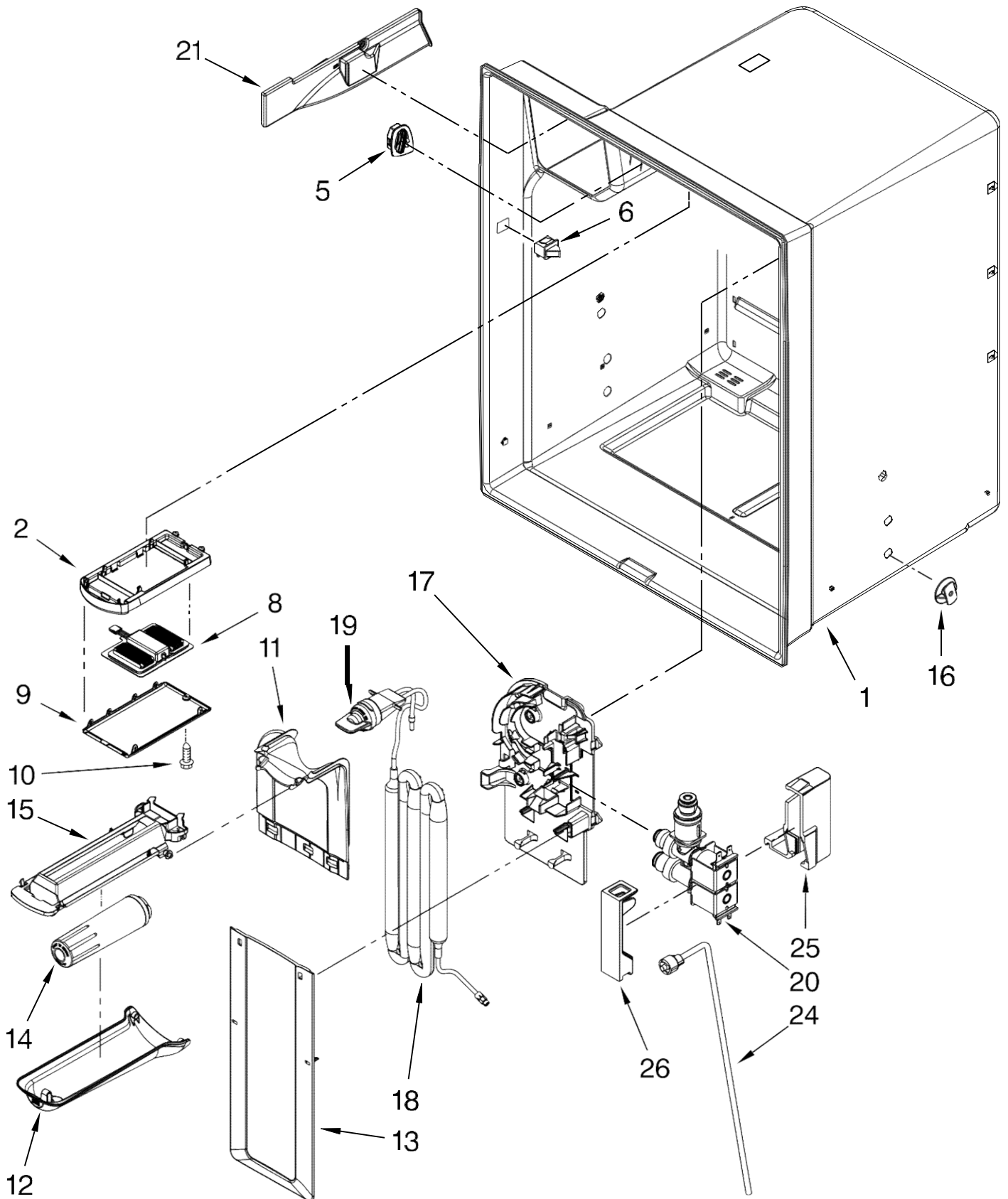


FOR ORDERING INFORMATION REFER TO PARTS PRICE LIST



Refrigerador Maytag MFI2670XEM5

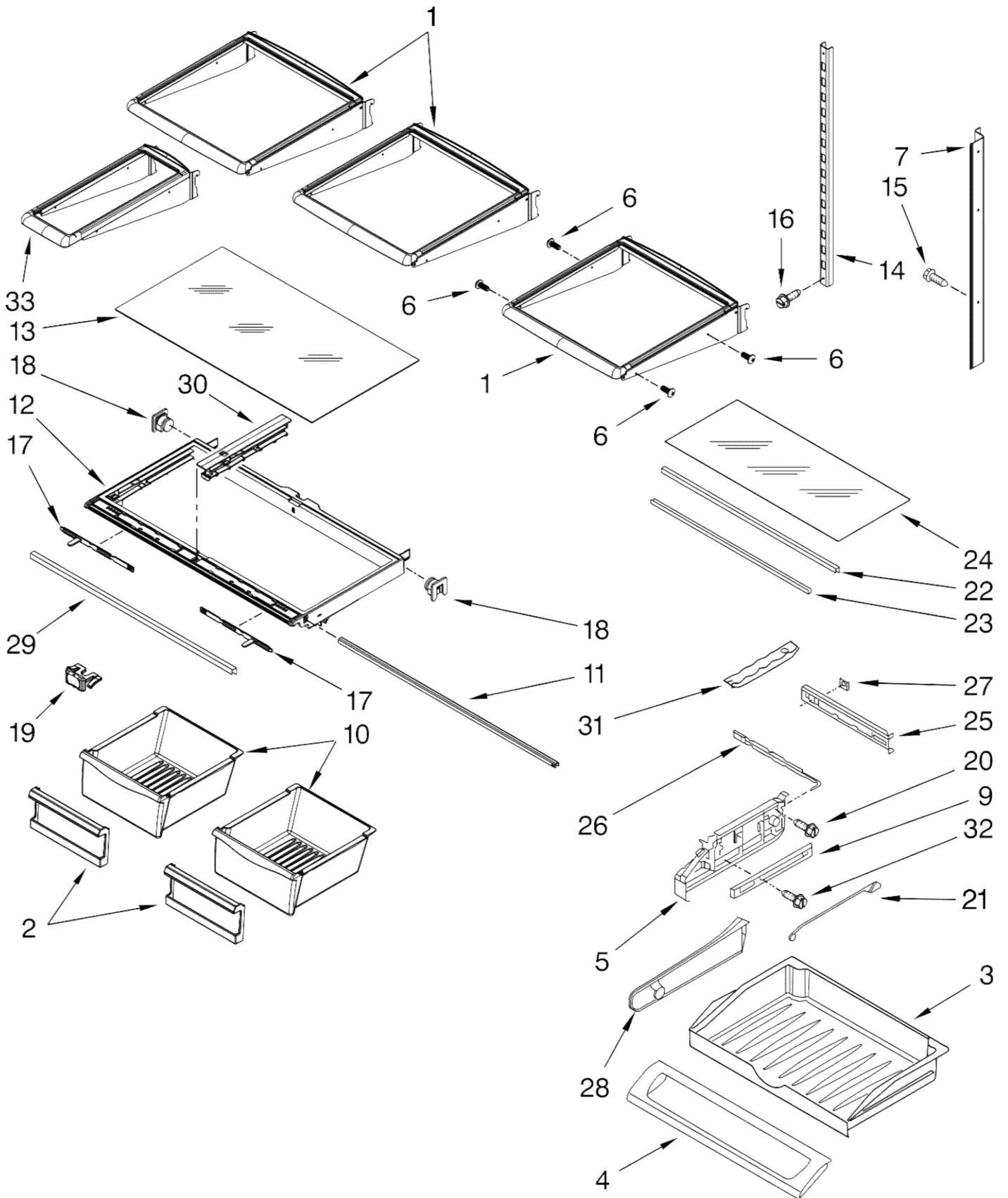
Illus. No.	Part No.	DESCRIPTION	Illus. No.	Part No.	DESCRIPTION	Illus. No.	Part No.	DESCRIPTION
1		Literature Parts	12	12990511	Screw (3)	23	W10296541	Lid, HV Control
	W10445503	Tech Sheet	13		Cover, Top Hinge (Left)	24		Hinge, Center (LT)
	W10314958	Use & Care Guide		12962301AP	Stainless		13000001AP	Stainless
	W10310961	Guide, Energy	14	12992403	Screw, Top Hinge	25	12990702	Screw, Cover
2	12961401	Tube W/Waterline, Fill-IM	15		Hinge, Center (RT)	26		Cabinet (Not A Servicable Part)
3	12698403	Block, Pivot		13000002AP	Stainless	27		Roller Assembly
4	B5759655	Gasket, MC Back	16	W10285271	Box, HV Control		W10275849	Right
5		Cover, Top Hinge (Right)	17		Cover, Corner (2)		W10275850	Left
	12962302AP	Stainless	18	12587703AP	Stainless	28	12990302	Screw, Block
6		Cover, Fill Tube	19	12963204ED	Hinge, Top Left	29	12957801K	Gasket, HV Control
	12981401AP	Stainless			Shim, Top	30	W10211854	Cover, MC Back
7	12961602	Cover, Control Box		12999501	Left	31	W10210988	Tube, Drain
8	M0108107	Clamp, Tube		12999502	Right	33	12820505	Fiber, Acoustic
9	12992602	Screw, Hinge Cover	20	12991302	Screw (8)	34	W10141622	Brake, Foot
10	12963205ED	Hinge, TopRight	22		Grille, Toe	35	W10285199	Board, HV Control
11	12992201	Screw, Center Hinge		W10244558	Stainless	36	W10226427	Supply, Power
						37	W10208592	Guard, Water Valve





**Refrigerador Maytag MFI2670XEM5**

Illus. No.	Part No.	DESCRIPTION
1		Liner (Not A Serviceable Part)
2	W10343359	Housing, Led
5	13008201	Grille, Air
6	12466103	Switch, Light (2)
8	W10289592	Light, Main Led
9	W10311756	Lens, RC Led
10	3400065	Screw
11	12960101	Cover, Water Tank (Upper)
12	12960301	Lid, Water Filter
13	12960001	Cover, Water Tank (Lower)
14	UKF8001	Filter, Water
15	12955901	Bracket, Filter Base
16	W10190541	Mount, Crisper
17	W10365768	Bracket, Water Tank & Valve
18	W10415891	Water Tank & Head Assembly
19	12664501SP	Plug, Bypass
20	W10312696	Valve, Dual Water
21	W10309869	Cover, Ice Box Harness
24	W10444033	Waterline, Cabinet (W/Nut)
25	W10118193	Enclosure, Water Valve Connector
26	W10118194	Lid, Enclosure

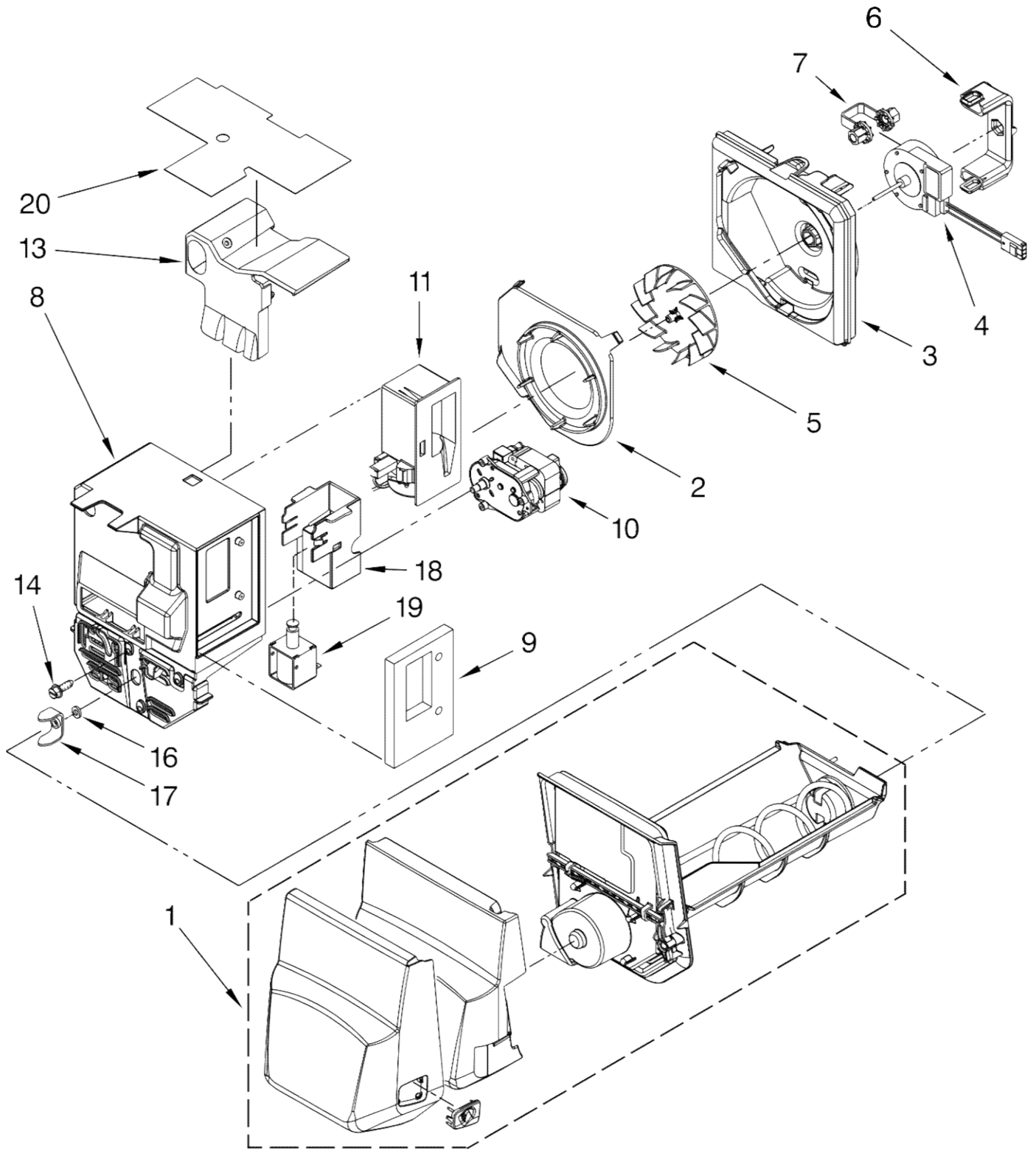


FOR ORDERING INFORMATION REFER TO PARTS PRICE LIST



Refrigerador Maytag MFI2670XEM5

Illus. No.	Part No.	DESCRIPTION
1	12883507	Shelf, Glide
2	12802602SP	Handle, Crisper Pan (2)
3	12731302	Drawer, Pantry
4	12656815	Lid, Pantry
5		Endcap, Pantry
	12656019	Right
	12656106	Left
6	12990302	Track, Pantry
7		Ladder, Side
	W10251965	Right
	W10251966	Left
9	W10235370	Glide, Pantry
10	12804601SP	Pan, Crisper (2)
11	12642303WD	Brace, Crisper Cover
12	W10329866	Frame, Crisper
13	12204824	Glass, Crisper Cover
14	W10273464	Ladder, Center
15	12990513	Screw
16	12990515	Screw (2)
17	12530805SP	Slide, Humidity Control
18	13062602	Supports, Crisper Frame
19	12655204V	Knob, Humidity Control
20	12990504V	Screw
21	12655304	Rod, Temp Control
22	12655902SP	Extr, Glass Support
23	12227305WH	Brace, Pantry
24	12204830	Shelf, Glass
25	12656202	Control, Housing
26	12655402	Slide, Temperature
27	12656901	Gasket, Pantry
28	12731901	Divider, Pantry
29	W10231345	Trim, Crisper
30	W10326469	Rail, Center
31	12531901	Track, Deli
32	12990512	Screw
33	12885501N	Shelf, Mini



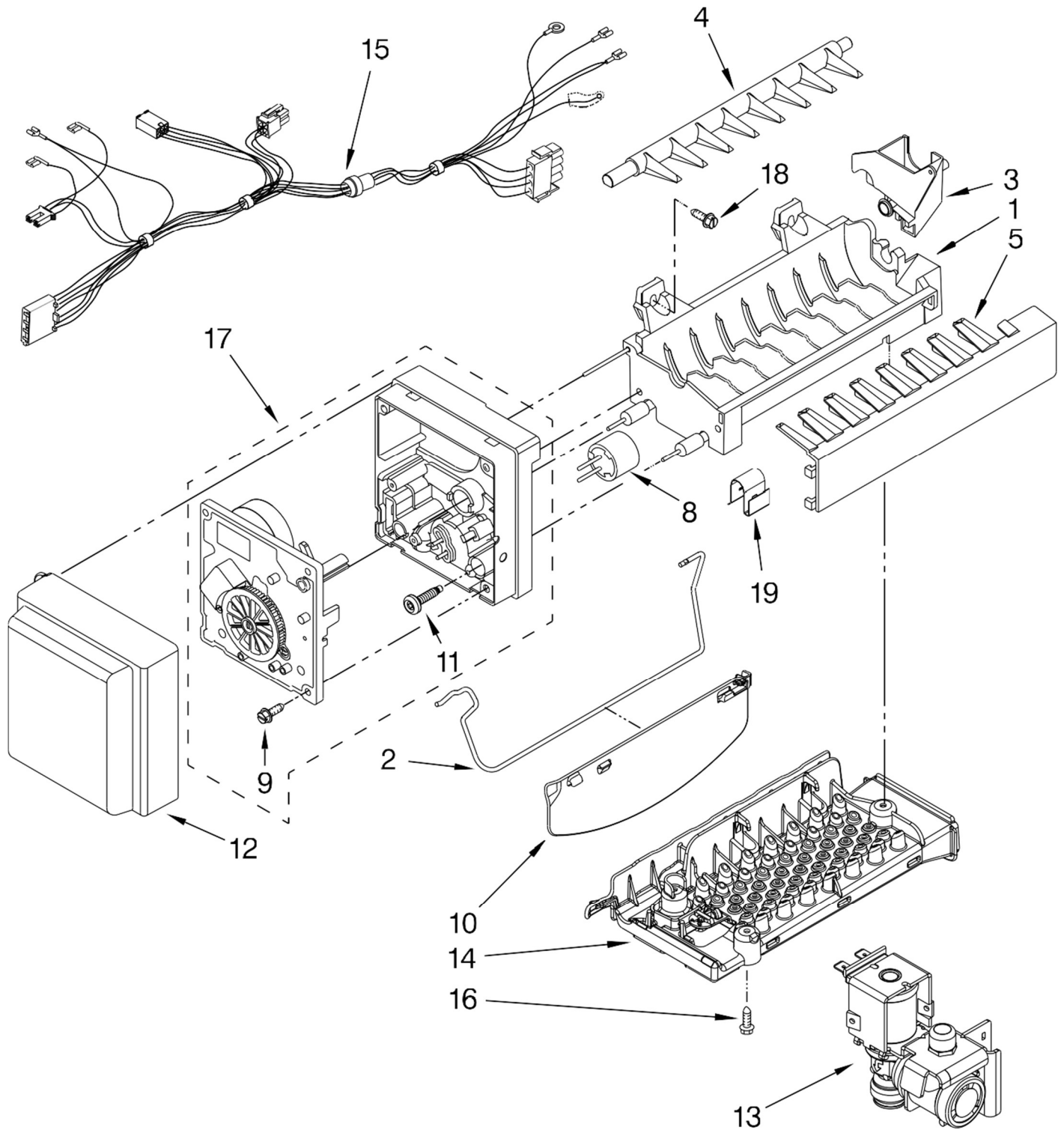
FOR ORDERING INFORMATION REFER TO PARTS PRICE LIST



Refrigerador Maytag MFI2670XEM5

Illus. No.	Part No.	DESCRIPTION
1	W10347671	Ice Bin Assembly (Includes Auger)
2	W10121282	Inlet, Blower
3	W10309863	Scroll, Blower
4	W10308033	Motor, Fan
5	W10123444	Wheel, Blower
6	12956603	Clip, Fan Motor
7	W10151687	Grommet, Fan Motor
8	W10309864	Divider, Ice Box
9	12920001	Gasket, Damper
10	W10309868	Motor, Auger
11	W10196393	Damper, Control
13	W10118612	Liner, Divider
14	12990511	Screw (3)
16	420107A700	Washer
17	63052A001	Yoke, Ice Dispenser
18	W10346971	Bracket, Solenoid
19	W10309866	Assy, Solenoid
20	W10142628	Foil, Ice Box





FOR ORDERING INFORMATION REFER TO PARTS PRICE LIST

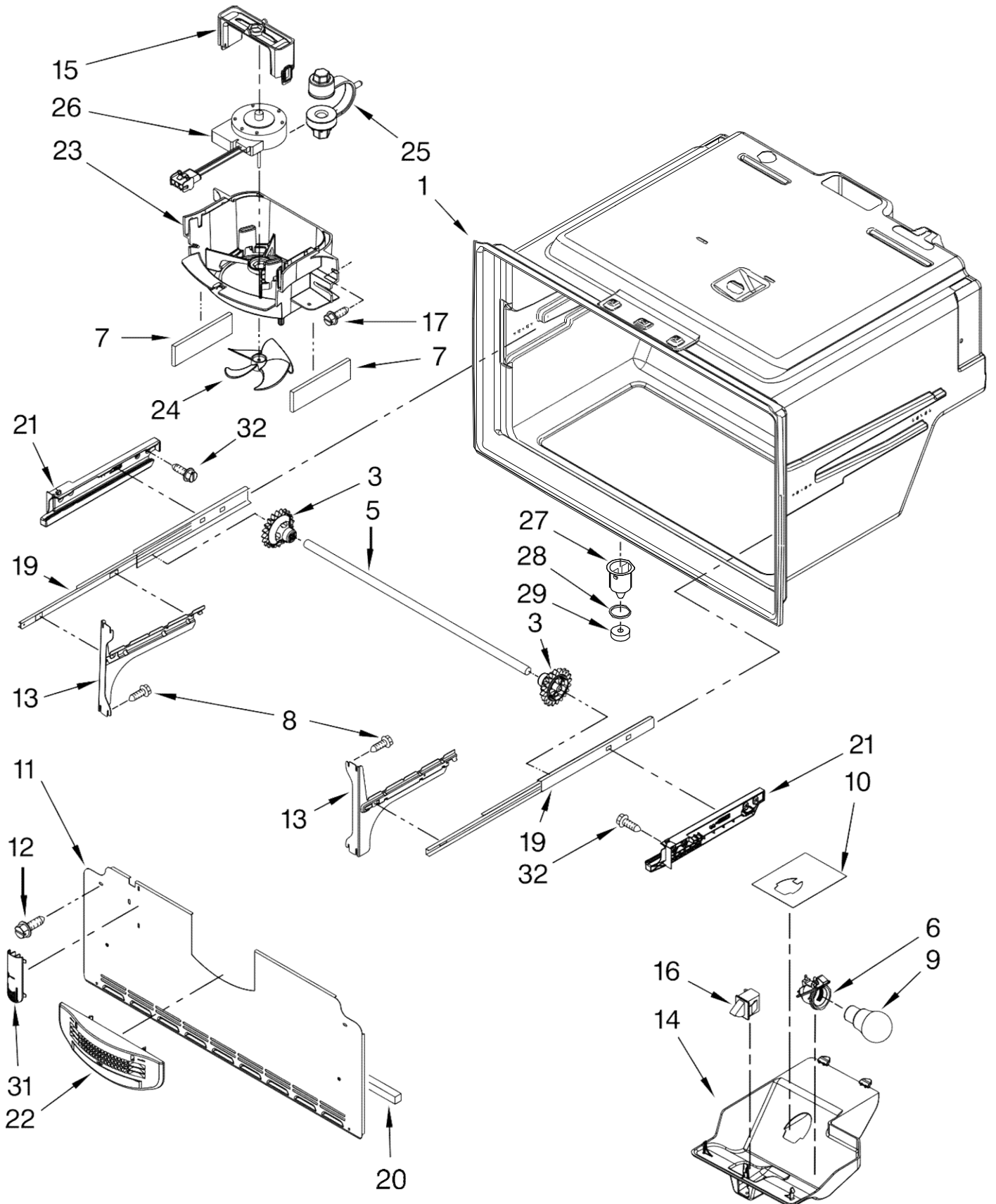


**Refrigerador Maytag MFI2670XEM5**

Illus. No.	Part No.	DESCRIPTION
1	W10300025	Mold & Heater Assembly (Also Order 542638 Grease)
2	W10175514	Arm, Shutoff
3	W10327050	Cup, Fill
4	W10318914	Ejector
5	W10122563	Ice Stripper
8	W10290336	Thermostat (Also Order 542369 Cement)
9	W10001240	Screw (3)
10	W10121440	Extension, Shutoff Arm
11	8533917	Screw (2)
12	W10290556	Cover
13	W10342318	Valve, Single
14	W10312691	Impinger Assy.
15	W10322960	Harness, Icemaker
16	12990511	Screw, Impinger
17	626691	Module Assembly
18	W10001240	Screw (3)
19	628379	Clip
100	W10300024	Icemaker Assembly

Following Parts Not Illustrated

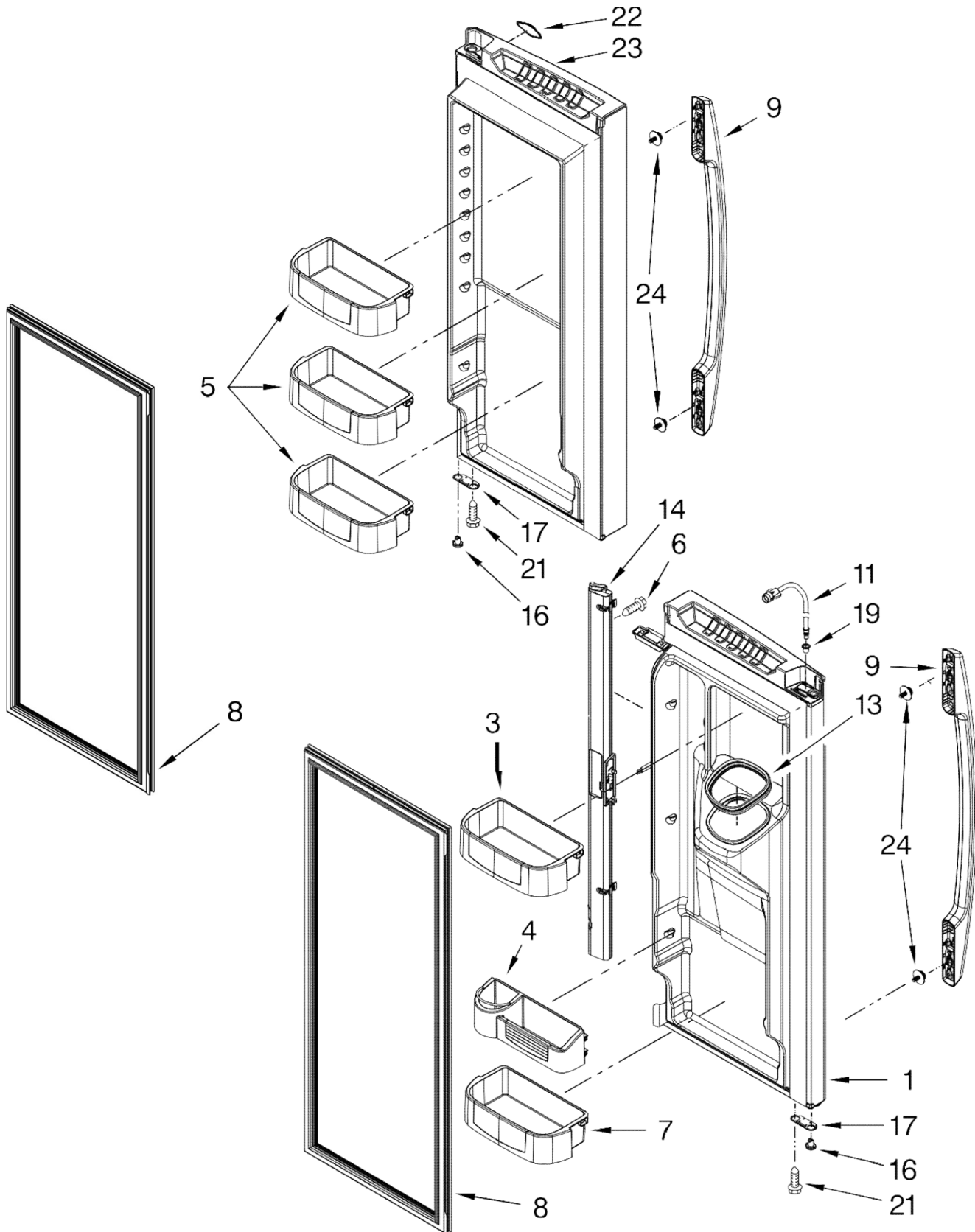
10244904SP Coupling





Refrigerador Maytag MFI2670XEM5

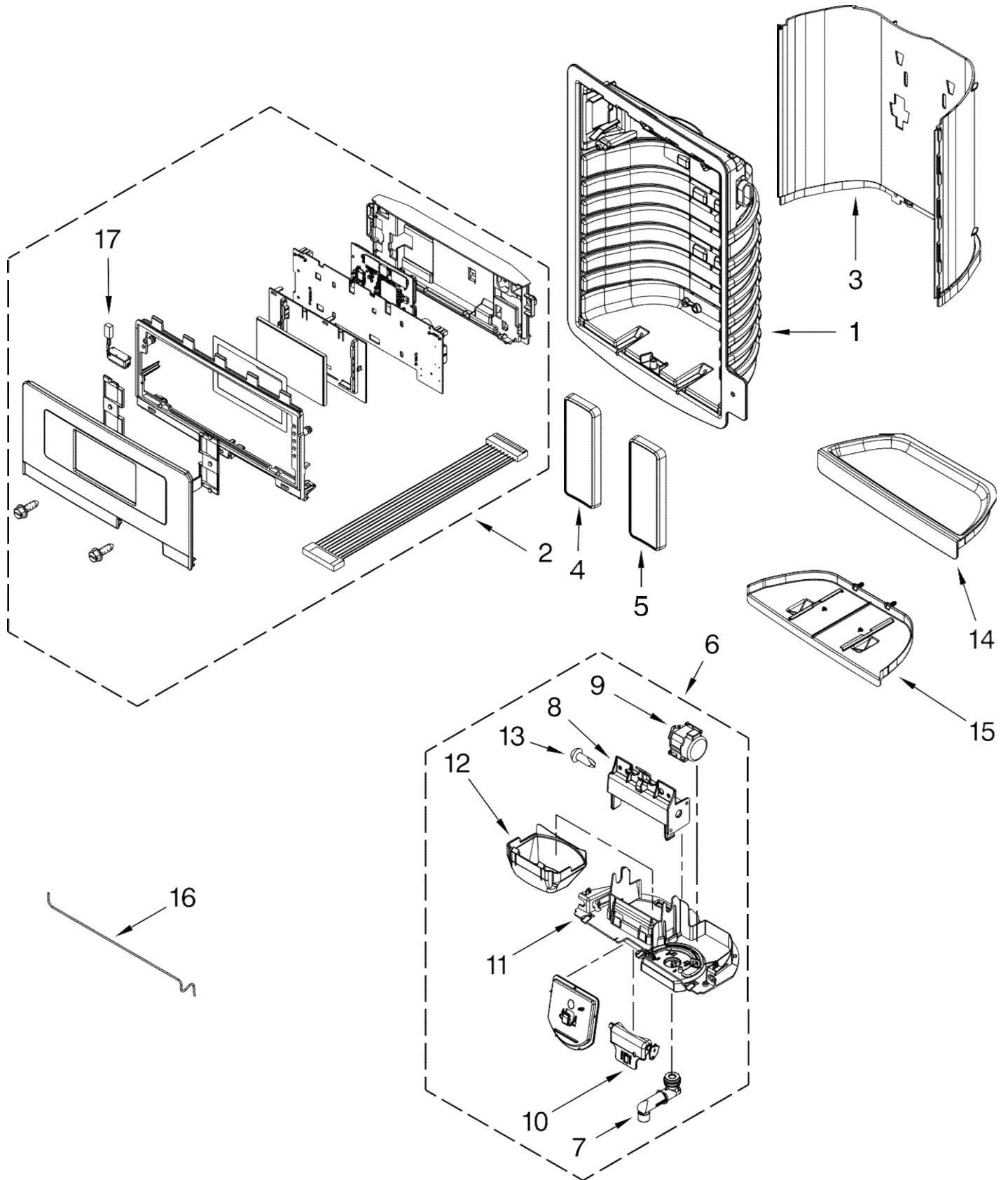
Illus. No.	Part No.	DESCRIPTION
1		Liner (Not A Serviceable Part)
3	12002497	Gear (Includes Both)
5	12812903WD	Shaft, Rack
6	12570701	Socket, Light
7	A3189392	Gasket, Foam
8	12990521	Screw, Bracket
9	2255743	Bulb, Light
10	W10277466	Foil-FZ Light
11	W10308421	Cover, Evap
12	12990511	Screw
13		Bracket, Door Slide W10330994 Left W10330995 Right
14	W10315248	Module, Freezer Light
15	12956601	Clip, Fan Motor
16	12466111SP	Switch, Rocker
17	12990504	Screw, Fan Shroud To Basket
19	W10120018	Slide, Drawer(2)
20	A3189397	Gasket, Foam
21		Adapter W10284682 Left W10284683 Right
22	12959901	Grille, Air
23	12951401	Shroud, Evap Fan
24	12986101	Blade, Fan (Evaporator)
25	12951101	Grommet, Fan Motor (2)
26	W10276647	Motor, Evaporator Fan (Inclds Harness)
27	D7753903	Funnel, Drain
28	M0500703	Seal, O Ring
29	B8381501	Gasket, Drain Tube
31	12815301	Cover, Thermistor
32	12990501	Screw, Adapter





frigorador Maytag MF12670XEM5

Illus. No.	Part No.	DESCRIPTION
1	13107315S	Door, Left Stainless
3	W10290553	Bucket, Upper
4	W10290555	Bucket, Wine
5	12840004	Bucket, Gallon
6	12990204	Screw
7	W10297151	Bucket, Lower
8	W10163991	Gasket, Door Stainless
9	W10252288	Handle, Door Stainless
11	W10296451	Waterline, Door
13	W10287601	Seal, Ice Chute
14	12722815AP	Mullion, Door Stainless
16	12028505AP	Closure, Door Stainless
17	12968202AP	Stop, Door Stainless
19	12996601	Clip, Bushing Wire (Left Door)
21	12990521	Screw
22	W10170766	Nameplate
23	13107316S	Door, Right Stainless
24	W10288153	Screw, Handle (Shoulder)



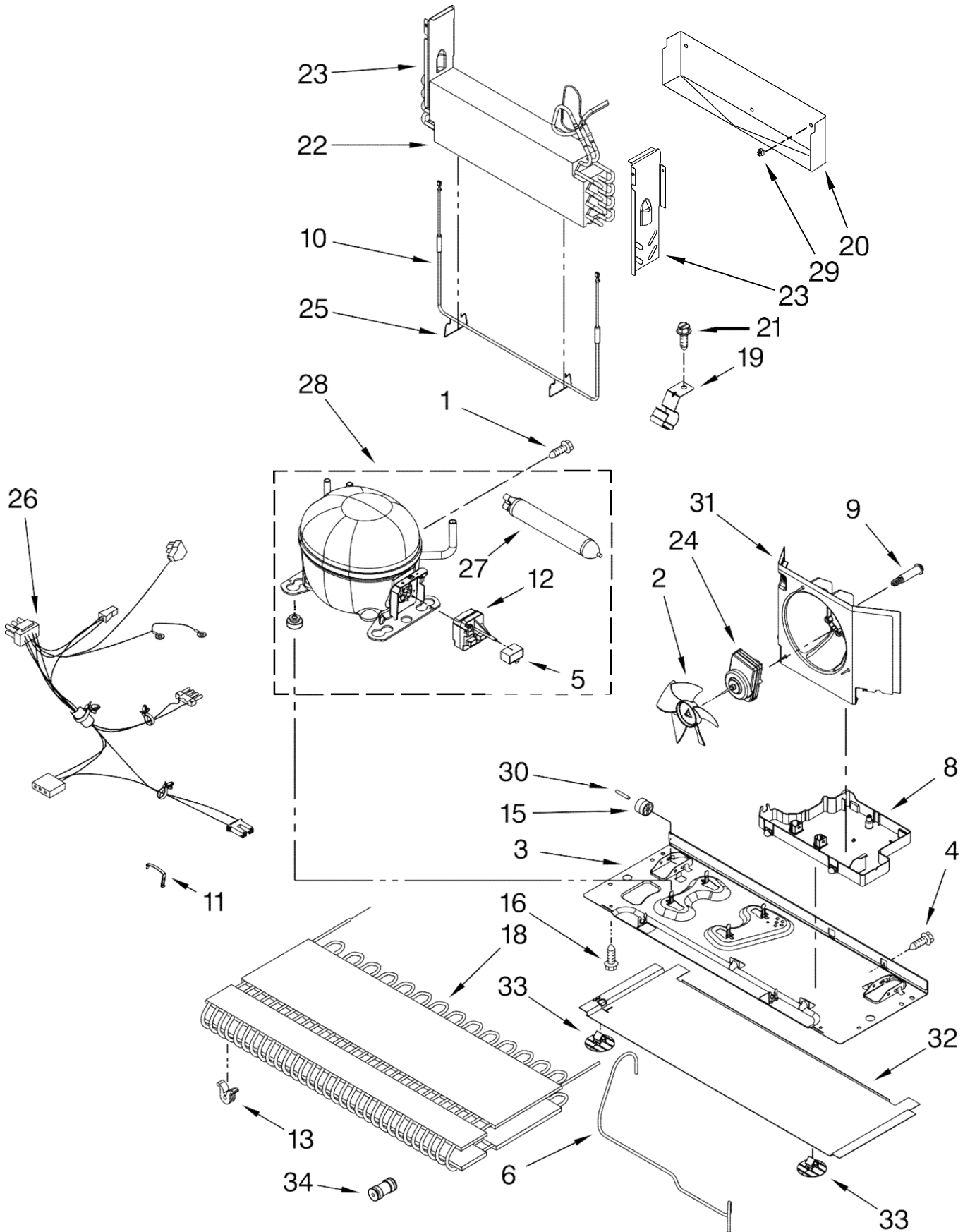


## Refrigerador Maytag MFI2670XEM5

Illus. No.	Part No.	DESCRIPTION
1		Housing, Dispenser (Not Serviced)
2	W10337912	UI Assembly
3		False, Wall, Dispenser
	W10299897	Stainless
4		Pad, Ice
	W10334789	Stainless
5		Pad, Water
	W10334813	White
	W10334816	Black
	W10334813	Stainless
6	W10353552	Separator Assy.
7	2316647	Spigot
8	W10174827	Bracket, Ice Door
9	W10205979	Motor, Ice Door
10	W10346124	Support, Ice Door
11	W10278987	Separator
12	W10339578	Guide, Ice
13	4449745	Screw
14		Tray, Dispenser
	W10299895	Stainless
15		Slide Tray, Dispenser
	W10267863	Stainless
16	W10296451	Tube, Water
17	W10238083	Led



Refrigerador Maytag MFI2670XEM5





Refrigerador Maytag MFI2670XEM5

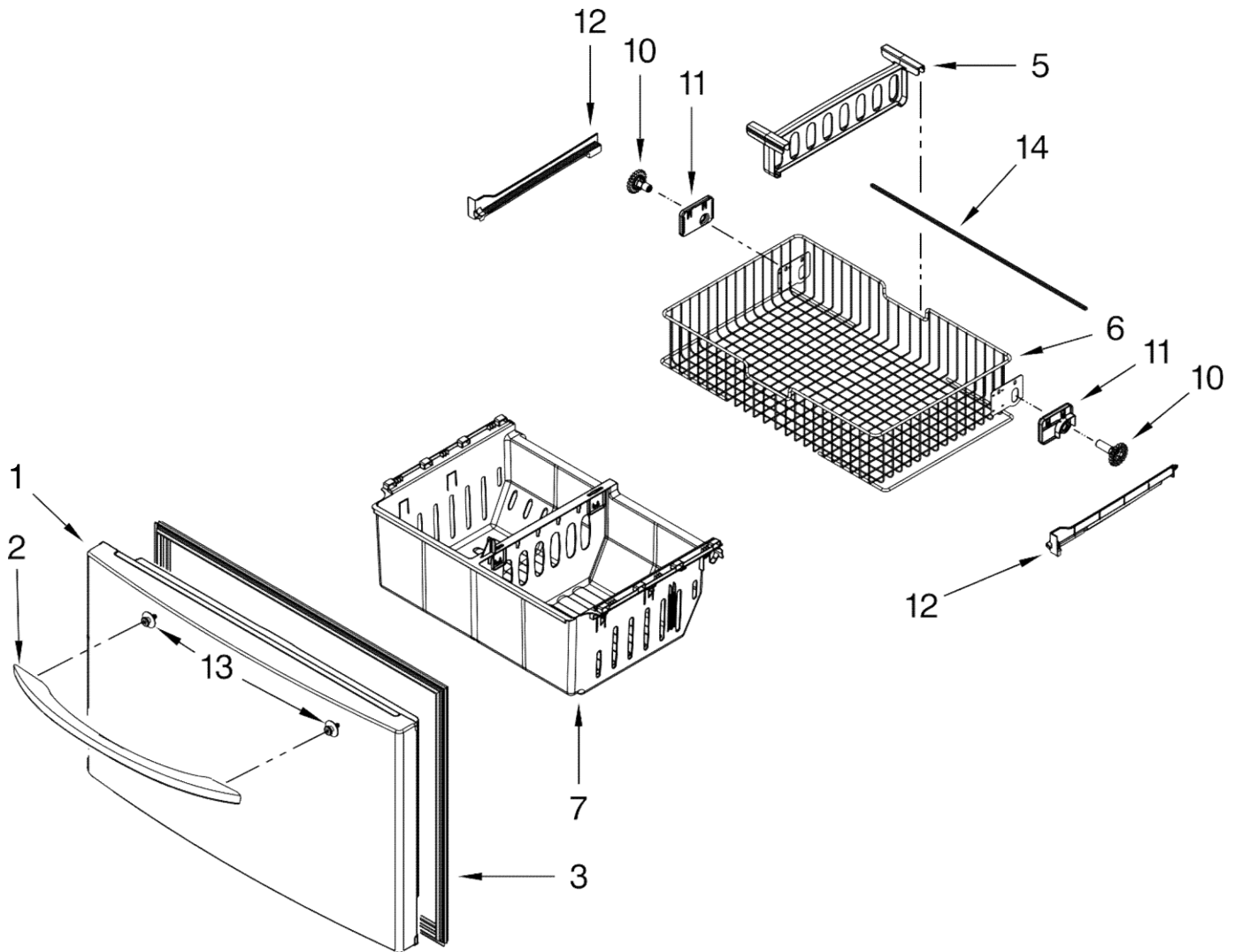
Illus. No.	Part No.	DESCRIPTION
1	12992301	Screw
2	12825803	Blade, Fan
3	W10210985	Basepan
4	12990511	Screw
5	2264017	Capacitor
6	W10242974	Tube, Discharge
8	W10296785	Pan, Drain
9	W10216919	Screw, Shoulder
10	12729123	Heater, Defrost
11	W10204187	Strap, Bale
12	W10197428	Start Device
13	W10137529	Grommet, Cond (4)
15	12477102	Roller (2)
16	12992101	Screw
18	W10135026	Condenser
19	W10281329	Clip, Drier
20	W10292803	Tray, Drip
21	12990518	Screw

Illus. No.	Part No.	DESCRIPTION
22	W10313899	Evaporator
23	12963102SP	Right Side
	12963002SP	Left Side
24	W10239053	Motor, Fan
25	10428101	Clip, Heater
26	W10402006	Harness-Unit (Incl.Power Cord)
27	W10143759	Drier
28	W10391109	Compressor (Includes items 11,12,17,27)
29	10623002	Clip, Evaporator
30	12477202	Axle, Roller (2)
31	W10189184	Shroud
32	W10367416	Extension, Basepan
33	W10206339	Fastener, Basepan
34	W10334458	Connector, Water

Illus. No.	Part No.	DESCRIPTION
<u>Following Parts Not Illustrated and Optional Parts Not Included</u>		
	978025	Valve, Access (1/4")
	978026	Valve, Access (5/16")
	978027	Valve, Access (3/8")
	978028	Valve, Access (1/2")
	978029	Valve, Access (5/8")
	978030	Valve, Access (3/4")
	876764	Valve, Access (3/16")

**REFRIGERANT CHARGE**

5.25 Ozs.  
(R-134A)



Illus. No.	Part No.	DESCRIPTION
1	12977863S	Freezer Door Stainless
2	W10252300	Handle, Door Stainless
3	W10164045	Gasket, Door Stainless

Illus. No.	Part No.	DESCRIPTION
5	W10146439	Divider, Upper Basket
6	W10348249	Basket, Upper
7	W10293682	Bin, Lower
10	W10158749	Gear Spur Right
	W10146446	Left

Illus. No.	Part No.	DESCRIPTION
11	W10348260	Gear Mount Right
	W10348259	Left
12	W10284695	Rack Right
	W10284694	Left
13	W10288153	Screw, Handle (Shoulder)
14	12812904WD	Shaft, Rack

# OPTIONAL PARTS (NOT INCLUDED)

For Models: MFI2670XEM5  
(Monochromatic Stainless)

Illus. No.	Part No.	DESCRIPTION
------------	----------	-------------

Parts Not Illustrated and  
Optional Parts (Not Included)

### Customer Touch-Up Material

- \*350942 Primer, White  
(13 Oz. Spray Can)
- \*350939 Enamel, Black  
(13 Oz. Spray Can)
- \*350930 Enamel, White  
(13 Oz. Spray Can)
- 22002901 Enamel, Bisque  
(12 OZ. Spray Can)
- 22002900 Enamel, Bisque  
(.6 OZ. Bottle)
- 72017 Brush Touch-Up Kit  
(White)
- 72032 Brush Touch-up kit  
(Black)

\* **Important:** The spray paint is not to be used where the paint may make contact with the door gaskets.

### Refinishing Material

- 799340 Enamel, Black  
(1 Qt. Uncut)
- 799344 Enamel, White  
(1 Qt. Uncut)

Illus. No.	Part No.	DESCRIPTION
------------	----------	-------------

### Miscellaneous

- 212643 Sealer, Gum  
(4 Feet)
- 479502 Tape, Vinyl  
(3/4 x 108")
- 876370 Kit, Insulation  
(2 Pcs. x 3" x 24" X 48")
- 876305 Kit, Insulation  
(14 Pcs. x 3" x 24" x 48")
- 978941 Insulation,  
Fiberglass  
(63-1/2" x 35-1/2" X 2-5/8)
- 876029 Kit, Foam Slab  
(30" x 32-1/2" x 1-1/2")
- 505587 Sealer, Mastic  
(1 Qt.)
- 503695 Cork, Sealer  
(1/4 Pound)
- 20000008 Cleaner,  
Stnls Steel Magic
- 542638 Grease, Silicone  
(1/2 Oz.)
- 542639 Cement,  
Alumilastic  
(1-1/4 Oz.)
- 606755 Bag, Insulation  
(36-5/8" x 46")
- 833938 Kit, Terminal  
Connector

Illus. No.	Part No.	DESCRIPTION
------------	----------	-------------

### TORX SCREW WRENCH

- 1117510 Torx Key