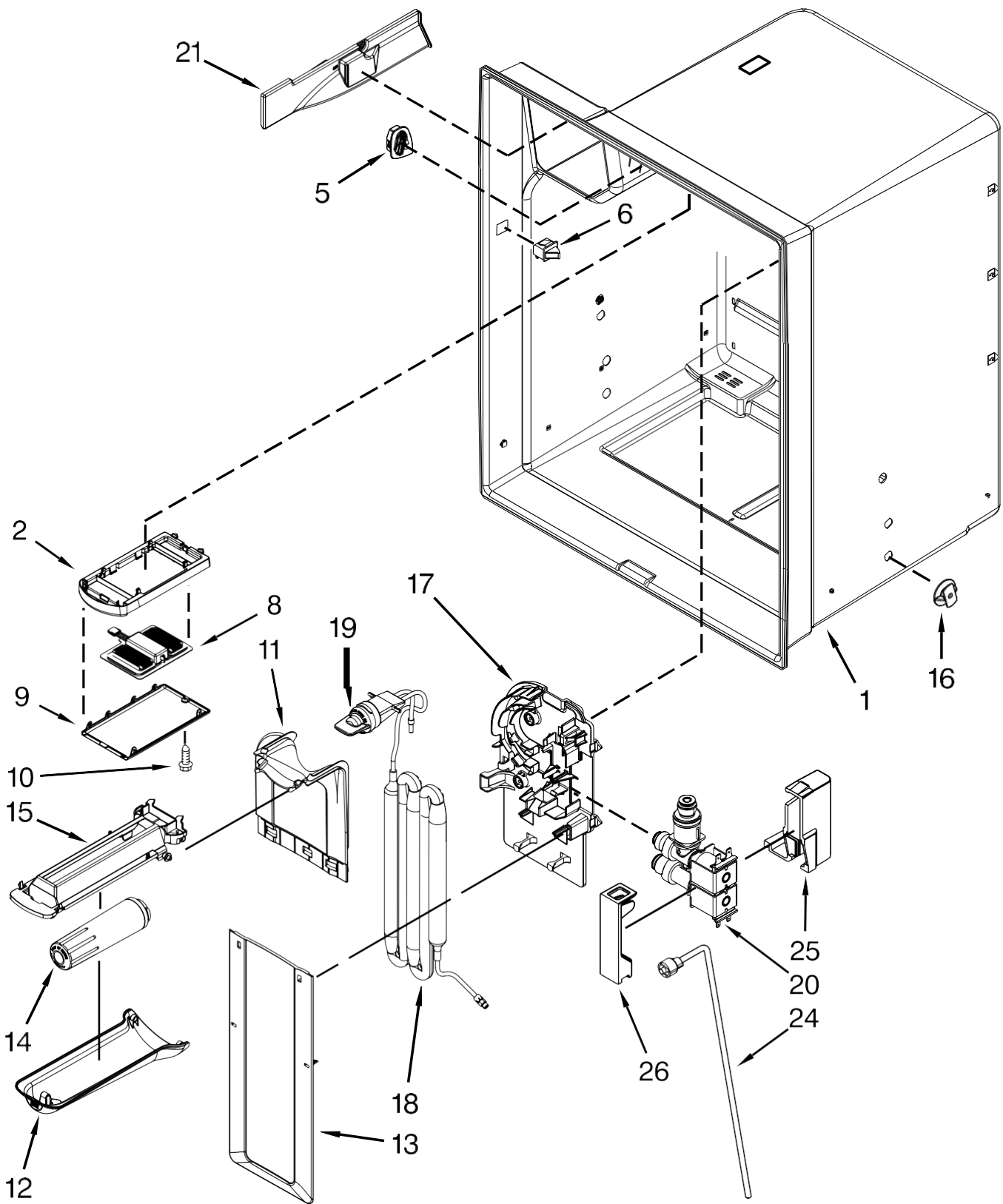




Refrigerador Maytag MFI2670XEM9

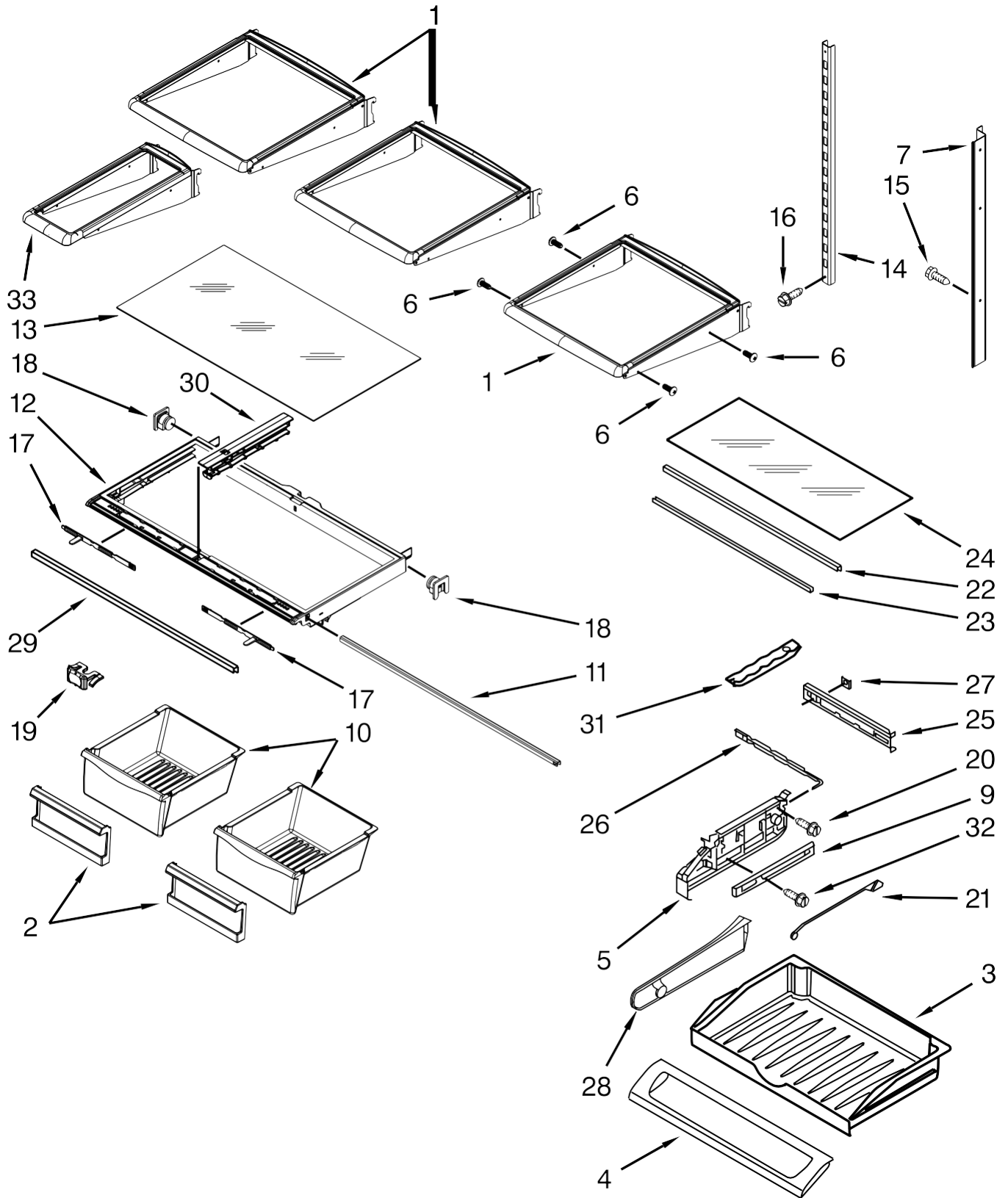
| <u>Illus.</u> <u>No.</u> | <u>Part No.</u> | <u>Description</u> | <u>Illus.</u> <u>No.</u> | <u>Part No.</u> | <u>Description</u> |
|-----------------------------|-----------------|-----------------------------|-----------------------------|-----------------|------------------------------------|
| 1 | | Literature Parts | 25 | 12990702 | Screw |
| | W10475393 | Tech Sheet | 26 | | Cabinet (Not A Servicable Part) |
| | W10314958 | Use & Care Guide | 27 | | Roller Assembly |
| | W10310961 | Guide, Energy | | W10515762 | Right Hand |
| 2 | 12961401 | Tube, Water | | W10515763 | Left Hand |
| 3 | 12698403 | Plate, Pivot | 28 | 12990302 | Screw |
| 4 | B5759655 | Gasket | 29 | 12957801 | Gasket, HV Control Box |
| 5 | | Cover, Top Hinge (Right) | 30 | W10211854 | Cover, Unit |
| | 12962302AP | Grey | 31 | W10344402 | Tube, Drain |
| 6 | | Cover, Fill Tube | 33 | 12820505 | Insulation |
| | 12981401AP | Grey | 34 | W10141622 | Brake, Roller |
| 7 | 12961602 | Cover, ControlBox | 35 | W10120821 | Control, Electronic |
| 8 | M0108107 | Clamp, Tube | 36 | W10438707 | Board, Control |
| 9 | 12992602 | Screw | 37 | W10208592 | Cover, Valve |
| 10 | | Hinge, Top | | | |
| | 12963205ED | Right Hand | | | |
| | 12963204ED | Left Hand | | | |
| 11 | 12992201 | Screw, Center Hinge | | | |
| 12 | 12990511 | Screw | | | |
| 13 | | Cover, Top Hinge (Left) | | | |
| | W10337648 | Grey | | | |
| 14 | 12992403 | Screw | | | |
| 15 | | Hinge, Center (RT) | | | |
| | 13000002AP | Grey | | | |
| 16 | W10485986 | Guide, Waterline | | | |
| 17 | | Cover, Corner | | | |
| | 12587703AP | Grey | | | |
| 19 | | Shim, Top | | | |
| | 12999501 | Left Hand | | | |
| | 12999502 | Right Hand | | | |
| 20 | 12991302 | Screw | | | |
| 22 | | Grille, Toe | | | |
| | W10244558 | Grey | | | |
| 23 | W10296541 | Lid, HV Control Box | | | |
| 24 | | Hinge, Center (LT) | | | |
| | 13000001AP | Grey | | | |





Refrigerador Maytag MFI2670XEM9

| <u>Illus. No.</u> | <u>Part No.</u> | <u>Description</u> |
|-------------------|-----------------|--|
| 1 | | Liner (Not A Serviceable Part) |
| 2 | W10343359 | Housing, RC-LED |
| 5 | W10396902 | Grille, Air |
| 6 | 12466103 | Switch, Rocker |
| 8 | W10289592 | Module, Main LED |
| 9 | W10311756 | Lens, RC Led |
| 10 | 3400065 | Screw |
| 11 | 12960101 | Cover, Upper Water Tank |
| 12 | 12960301 | Cover, Filter |
| 13 | 12960001 | Cover, Lower Water Tank |
| 14 | UKF8001 | Filter, Water |
| 15 | 12955901 | Bracket, Filter Base |
| 16 | W10190541 | Mount, Crisper Support |
| 17 | W10334463 | Bracket, Water Tank & Valve |
| 18 | W10418477 | Assembly, Water Tank & Head |
| 19 | 12664501SP | Cartridge, Bypass |
| 20 | W10312696 | Valve, Water Inlet |
| 21 | W10309869 | Cover, Wiring |
| 24 | W10444033 | Tube, Water |
| 25 | W10118193 | Enclosure, Water Valve Connector |
| 26 | W10118194 | Lid, Enclosure |
| | | Following Parts Not Illustrated |
| | W10296251 | Harness, RC Lights (Includes Thermistor) |



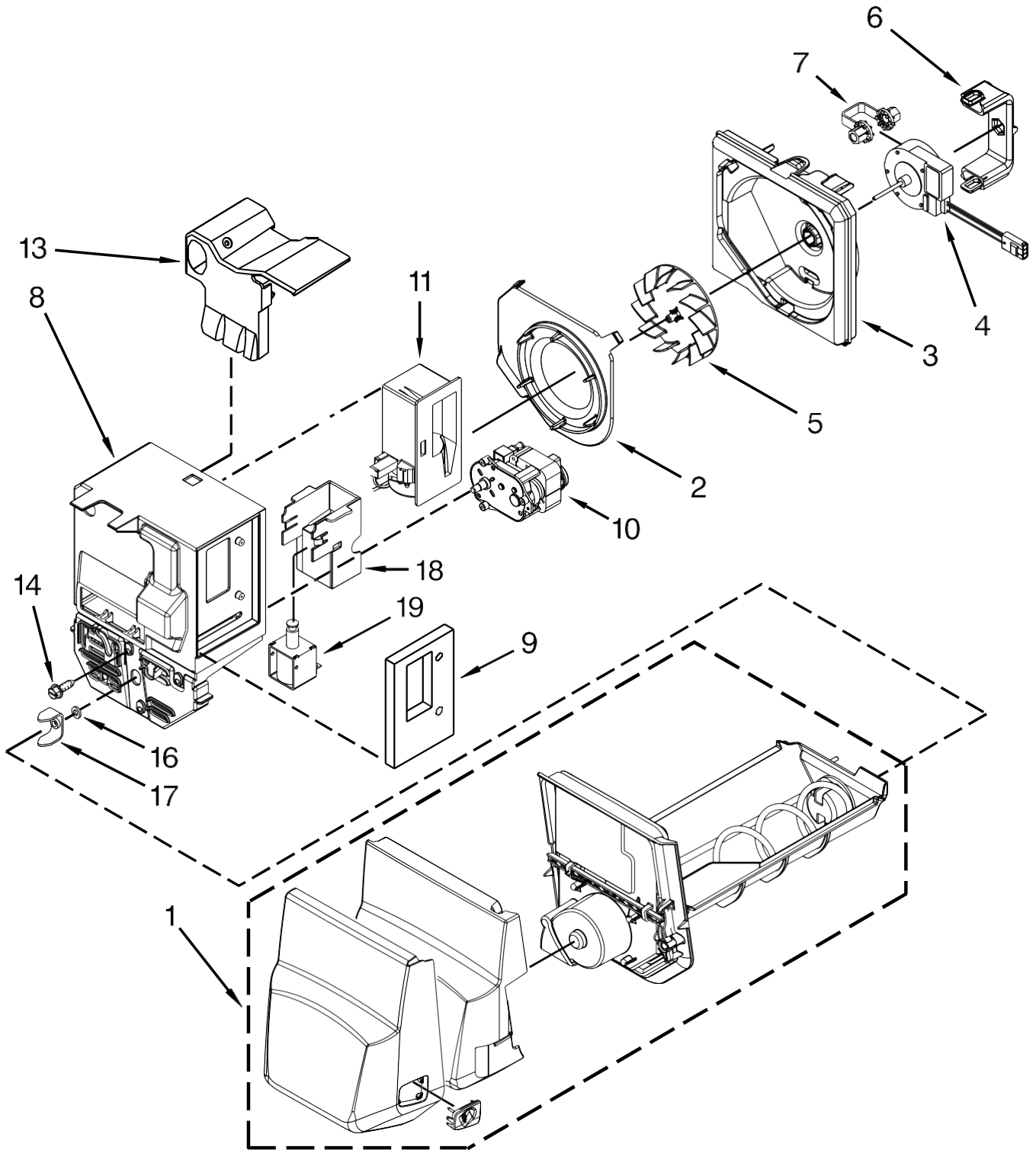


Refrigerador Maytag MFI2670XEM9

Illus.
No.

Part No. **Description**

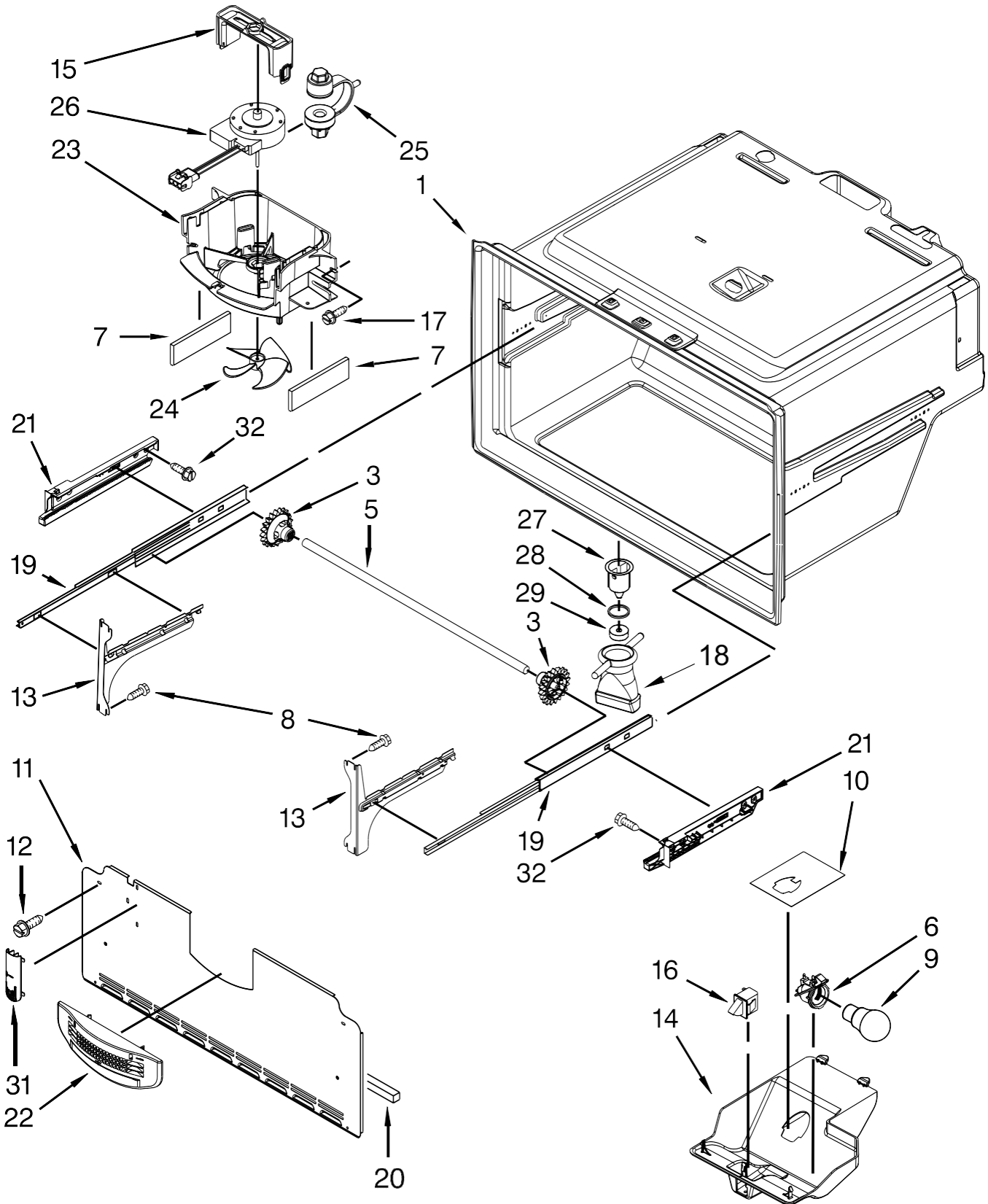
| | |
|----|--|
| 1 | 12883507 Shelf, Glide Out |
| 2 | 12802602SP Front, Crisper Pan |
| 3 | 12731302 Drawer, Pantry |
| 4 | 12656815 Lid, Pantry |
| 5 | Endcap, Pantry |
| | 12656019 Right Hand |
| | 12656106 Left Hand |
| 6 | 12990302 Screw |
| 7 | Ladder, Side |
| | W10251965 Right Hand |
| | W10251966 Left Hand |
| 9 | W10235370 Glide, Pantry |
| 10 | 12804601SP Pan, Crisper |
| 11 | 12642303WD Brace, Crisper Cover |
| 12 | W10329866 Frame, Crisper |
| 13 | 12204824 Glass, Crisper |
| 14 | W10273464 Ladder, Center |
| 15 | 12990513 Screw |
| 16 | 12990515 Screw |
| 17 | 12530805SP Slide, Humidity Control |
| 18 | 13062602 Support, Crisper Frame |
| 19 | 12655204 Knob, Temperature Control |
| 20 | 12990504 Screw |
| 21 | 12655304 Bar, Control |
| 22 | 12655902SP Trim, Pantry Glass |
| 23 | 12227305WHBrace, Pantry |
| 24 | 12204830 Glass, Shelf |
| 25 | 12656202 Control, Housing |
| 26 | 12655402 Slide, Temperature Control |
| 27 | 12656901 Gasket, Pantry |
| 28 | 12731901 Divider, Pantry |
| 29 | W10231345 Trim, Crisper |
| 30 | W10326469 Rail, Center Crisper |
| 31 | 12531901 Track, Deli Drawer |
| 32 | 12990512 Screw |
| 33 | 12885501 Shelf, Mini Stationary |





Refrigerador Maytag MF12670XEM9

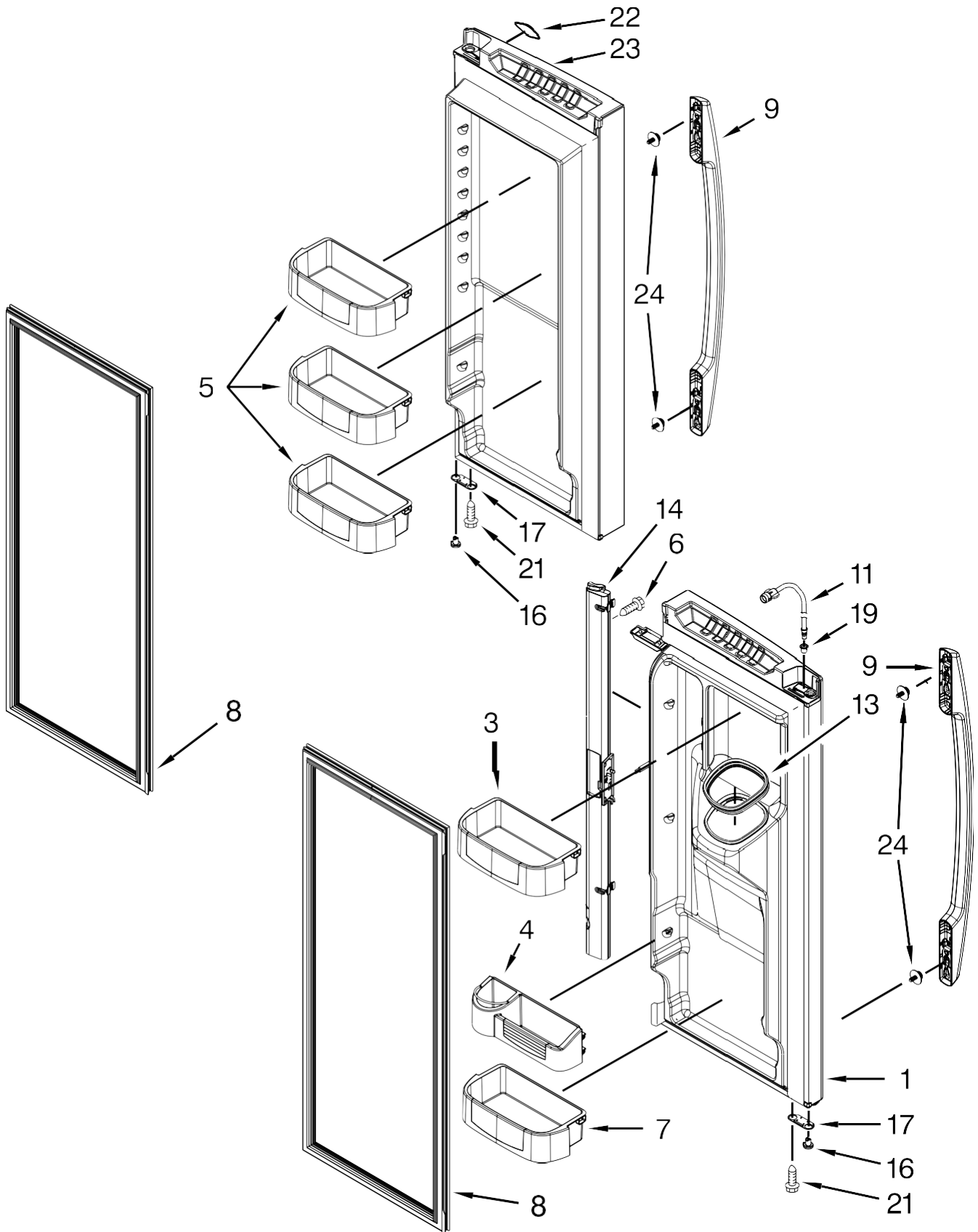
| <u>Illus.</u> <u>No.</u> | <u>Part No.</u> | <u>Description</u> |
|-----------------------------|-----------------|---------------------|
| 1 | W10536669 | Assembly, Ice Bin |
| 2 | W10121282 | Inlet, Blower |
| 3 | W10309863 | Scroll, Blower |
| 4 | W10308033 | Motor, Fan |
| 5 | W10123444 | Wheel, Blower |
| 6 | 12956603 | Clip, Fan Motor |
| 7 | W10151687 | Grommet, Fan Motor |
| 8 | W10309864 | Divider, Ice Box |
| 9 | 12920001 | Gasket, Damper |
| 10 | W10309868 | Motor, Auger |
| 11 | W10196393 | Damper, Control |
| 13 | W10118612 | Liner, Divider |
| 14 | 12990511 | Screw |
| 16 | W10465946 | Washer |
| 17 | 63052A001 | Yoke, Ice Dispenser |
| 18 | W10346971 | Bracket, Solenoid |
| 19 | W10309866 | Assembly, Solenoid |





Refrigerador Maytag MFI2670XEM9

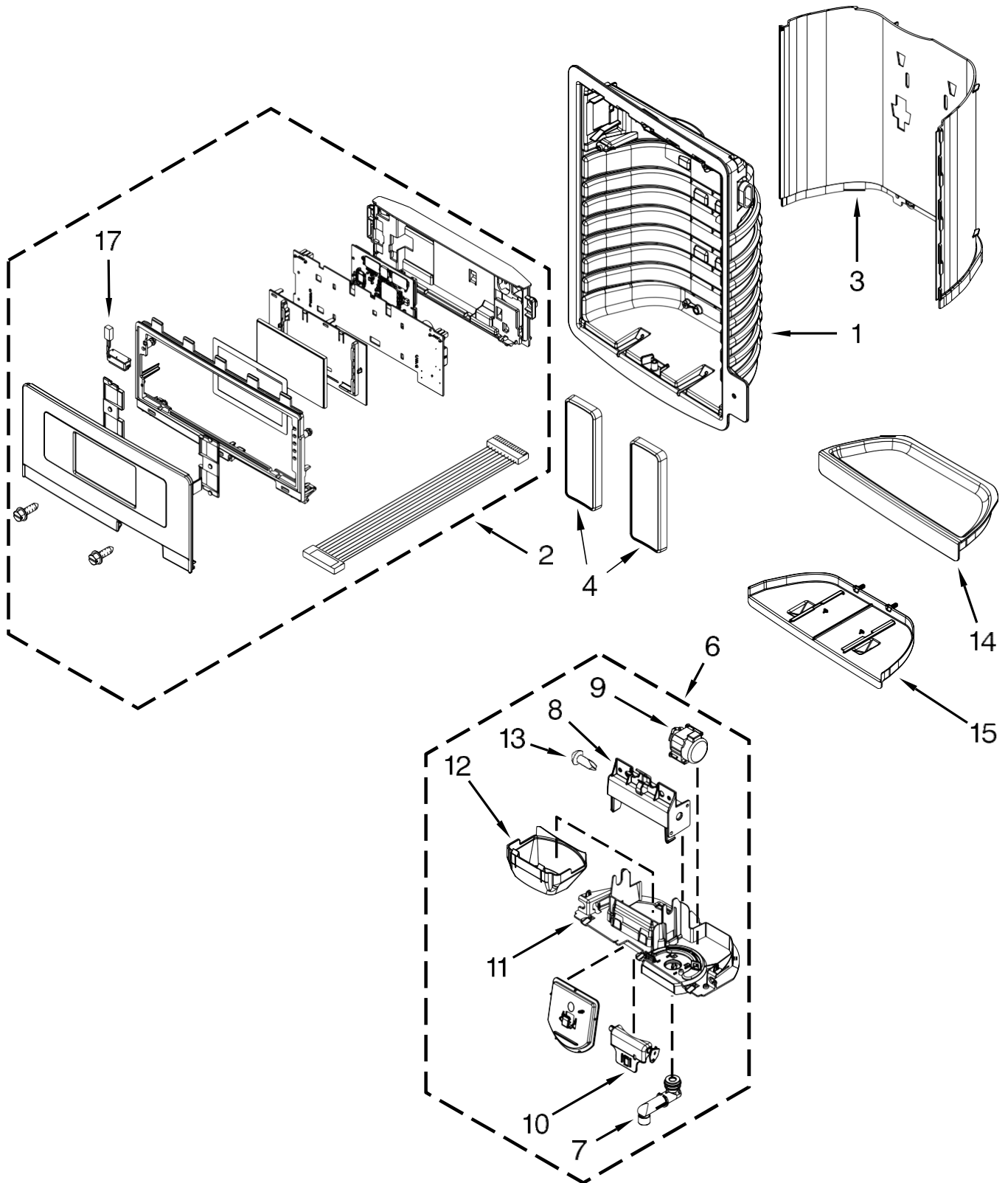
| <u>Illus. No.</u> | <u>Part No.</u> | <u>Description</u> |
|-------------------|-----------------|---|
| 1 | | Liner (Not A Serviceable Part) |
| 3 | 12002497 | Gear |
| 5 | 12812903WD | Shaft, Rack |
| 6 | 12570701 | Socket, Light |
| 7 | A3189392 | Gasket, Foam |
| 8 | 12990521 | Screw |
| 9 | W10311527 | Bulb, Light |
| 10 | W10277466 | Housing, Foil |
| 11 | W10308421 | Cover, Evaporator |
| 12 | 12990511 | Screw |
| 13 | | Bracket, Door Slide |
| | W10330991 | Left Hand |
| | W10330993 | Right Hand |
| 14 | W10315248 | Module, Light |
| 15 | 12956601 | Clip, Fan Motor |
| 16 | 12466111SP | Switch, Light |
| 17 | 12990504 | Screw |
| 18 | W10309238 | Extension, Drain Tube |
| 19 | W10488000 | Slide, Door |
| 20 | A3189397 | Gasket, Foam |
| 21 | | Adapter |
| | W10284682 | Left Hand |
| | W10284683 | Right Hand |
| 22 | 12959901 | Grille, Air |
| 23 | 12951401 | Shroud, Evaporator |
| 24 | 12986101 | Blade, Fan |
| 25 | 12951101 | Grommet, Fan Motor |
| 26 | W10276647 | Motor, Evaporator (Includes Heater Harness) |
| 27 | D7753903 | Funnel, Drain |
| 28 | M0500703 | Seal |
| 29 | B8381501 | Gasket, Drain |
| 31 | 12815301 | Cover, Thermistor |
| 32 | 12990501 | Screw |





Refrigerador Maytag MFI2670XEM9

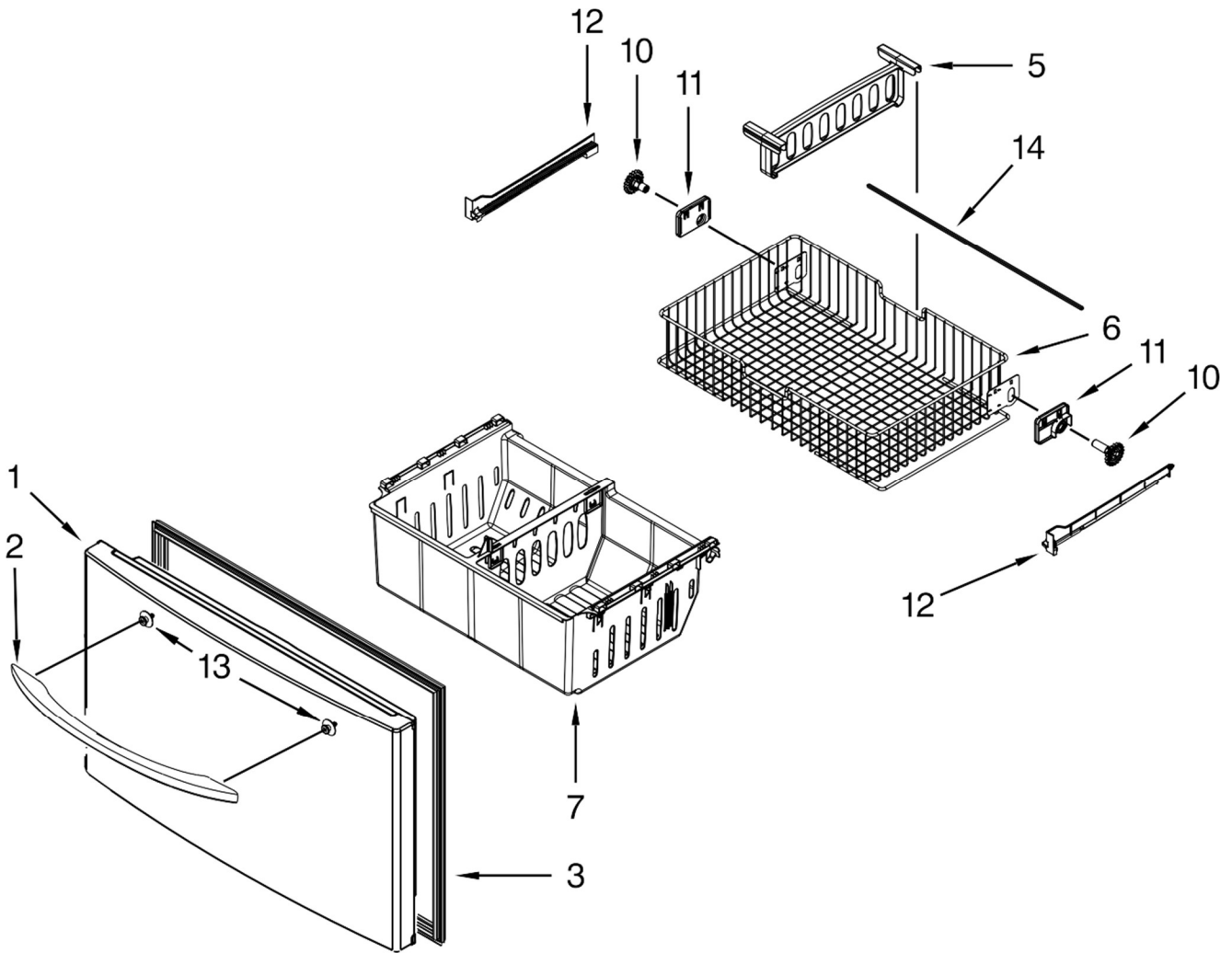
| <u>Illus. No.</u> | <u>Part No.</u> | <u>Description</u> |
|-------------------|-----------------|---------------------|
| 1 | | Door, Left |
| | 13107322S | Stainless |
| 3 | W10290553 | Bucket, Upper |
| 4 | W10290555 | Bucket, Wine Bottle |
| 5 | 12840004 | Bucket, Gallon |
| 6 | 12990204 | Screw |
| 7 | W10297151 | Bucket, Lower |
| 8 | | Gasket, Door |
| | W10443238 | Grey |
| 9 | | Handle, Door |
| | W10252288 | Stainless |
| 11 | W10511930 | Waterline, Door |
| 13 | W10287601 | Seal, Ice Chute |
| 14 | | Mullion, Door |
| | 12722815AP | Grey |
| 16 | | Closure, Door |
| | 12028505AP | Grey |
| 17 | | Stop, Door |
| | 12968202AP | Grey |
| 19 | 12996601 | Clip, Bushing |
| 21 | 12990521 | Screw |
| 22 | W10170766 | Stainless |
| 23 | | Door, Right |
| | 13107316S | Stainless |
| 24 | W10288153 | Screw |





Refrigerador Maytag MFI2670XEM9

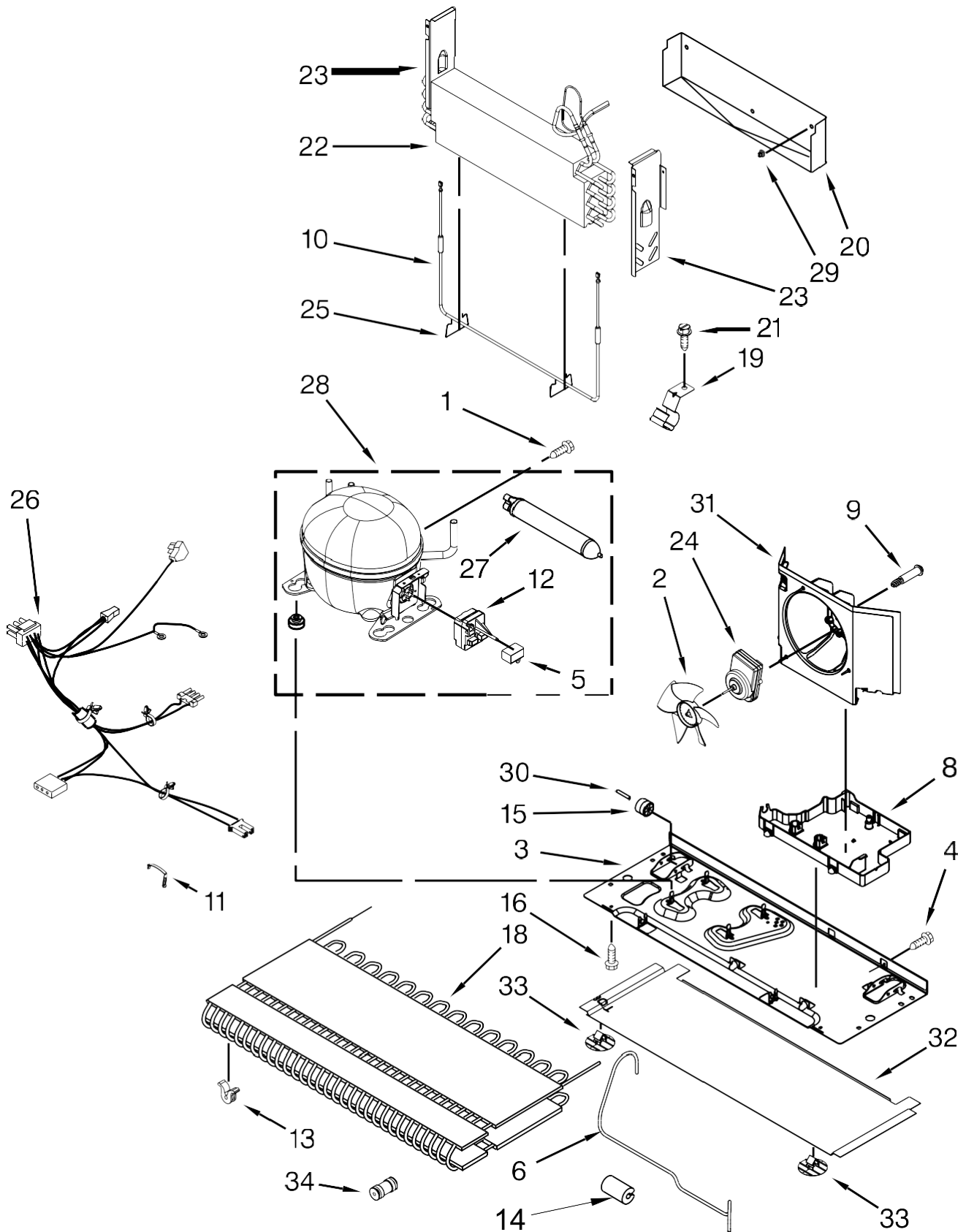
| <u>Illus. No.</u> | <u>Part No.</u> | <u>Description</u> |
|-------------------|-----------------|--------------------------------------|
| 1 | | Housing, Dispenser (Not Serviced) |
| 2 | W10337912 | UI Assembly |
| 3 | | False, Wall, Dispenser |
| | W10299897 | Grey |
| 4 | W10368732 | Pad Assembly, Water & Ice |
| 6 | W10353552 | Assembly, Seperator |
| 7 | 2316647 | Assembly, Spigot Body |
| 8 | W10174827 | Bracket, Ice Door |
| 9 | W10205979 | Motor, Ice Door |
| 10 | W10346124 | Support, Ice Door |
| 11 | W10278987 | Separator |
| 12 | W10339578 | Guide, Ice |
| 13 | 4449745 | Screw |
| 14 | | Tray, Dispenser |
| | W10299895 | Grey |
| 15 | | Slide Tray, Dispenser |
| | W10267863 | Grey |
| 17 | W10238083 | Assembly, LED |





Refrigerador Maytag MFI2670XEM9

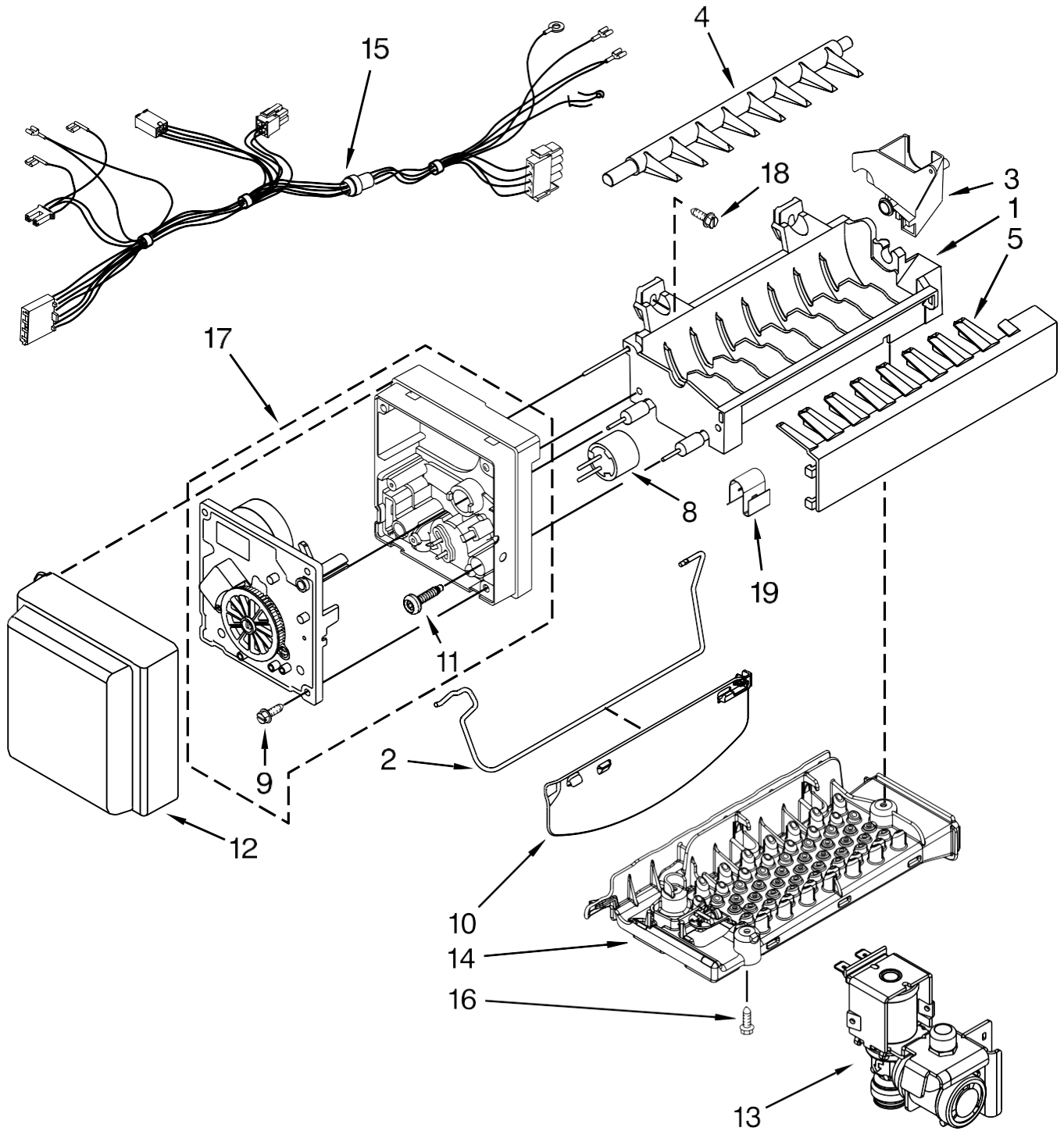
| <u>Illus.</u> <u>No.</u> | <u>Part No.</u> | <u>Description</u> |
|-----------------------------|-----------------|-----------------------|
| 1 | | Freezer Door |
| | 12977863S | Stainless |
| 2 | | Handle, Door |
| | W10252300 | Stainless |
| 3 | | Gasket, Door |
| | W10443322 | Grey |
| 5 | W10146439 | Divider, Upper Basket |
| 6 | W10348249 | Basket, Upper |
| 7 | W10293682 | Bin, Lower |
| 10 | | Gear Spur |
| | W10474716 | Left Hand |
| | W10474715 | Right Hand |
| 11 | | Gear Mount |
| | W10348260 | Right Hand |
| | W10348259 | Left Hand |
| 12 | | Rack |
| | W10516602 | Right Hand |
| | W10516603 | Left Hand |
| 13 | W10288153 | Screw |
| 14 | 12812904WD | Shaft, Rack |





Refrigerador Maytag MFI2670XEM9

| <u>Illus.</u> <u>No.</u> | <u>Part No.</u> | <u>Description</u> | <u>Illus.</u> <u>No.</u> | <u>Part No.</u> | <u>Description</u> |
|-----------------------------|-----------------|--|-----------------------------|-----------------|------------------------------------|
| 1 | 12992301 | Screw | 34 | W10334458 | Connector, Water Tube |
| 2 | 12825803 | Blade, Fan | | | |
| 3 | W10480111 | Basepan | | | Following Parts Not Illustrated |
| 4 | 12990511 | Screw | 978025 | | Valve, Access |
| 5 | W10350564 | Capacitor | 978026 | | Valve, Access |
| 6 | W10233569 | Tube, Discharge | 978027 | | Valve, Access |
| 8 | W10296785 | Pan, Drain | 978028 | | Valve, Access |
| 9 | W10216919 | Screw, Shoulder | 978029 | | Valve, Access |
| 10 | 12729123 | Heater, Defrost | 978030 | | Valve, Access |
| 11 | W10174384 | Strap, Bale | 876764 | | Valve, Access |
| 12 | W10448874 | Device, Start | | | REFRIGERANT CHARGE |
| 13 | W10137529 | Grommet, Condenser | | | 5.25 OZS. (R-134A) |
| 14 | 2319835 | Grommet, Condenser | | | |
| 15 | 12477102 | Roller | | | |
| 16 | 12992101 | Screw | | | |
| 18 | W10346415 | Condenser | | | |
| 19 | W10281329 | Clip, Drier | | | |
| 20 | W10292803 | Tray, Drip | | | |
| 21 | 12990518 | Screw | | | |
| 22 | W10313899 | Evaporator | | | |
| 23 | | Dam | | | |
| | 12963102SP | Right Hand | | | |
| | 12963002SP | Left Hand | | | |
| 24 | W10239053 | Motor, Fan | | | |
| 25 | 10428101 | Clip, Heater | | | |
| 26 | W10402006 | Harness, Unit (Includes Power Cord) | | | |
| 27 | W10143759 | Drier | | | |
| 28 | W10445423 | Compressor | | | |
| 29 | 10623002 | Clip, Evaporator | | | |
| 30 | 12477202 | Axle, Roller | | | |
| 31 | W10189184 | Shroud | | | |





Refrigerador Maytag MFI2670XEM9

| <u>Illus. No.</u> | <u>Part No.</u> | <u>Description</u> |
|-------------------|-----------------|-------------------------|
| 1 | W10300025 | Assembly, Mold & Heater |
| 2 | W10378254 | Arm, Shutoff |
| 3 | W10377998 | Cup, Fill |
| 4 | W10318914 | Ejector, Arm |
| 5 | W10122563 | Stripper, Ice |
| 8 | W10290336 | Thermostat |
| 9 | W10001240 | Screw |
| 10 | W10351019 | Extension, Shutoff Arm |
| 11 | 8533917 | Screw |
| 12 | W10460383 | Cover, Front |
| 13 | W10342318 | Valve, Solenoid |
| 14 | W10312691 | Assembly, Impinger |
| 15 | W10404016 | Harness, Icemaker |
| 16 | 12990511 | Screw |
| 17 | W10377147 | Assembly, Module |
| 18 | W10001240 | Screw |
| 19 | 628379 | Clip, Thermal Fuse |
| 100 | W10377151 | Assembly, Icemaker |

OPTIONAL PARTS (NOT INCLUDED)

PAINT, TOUCH-UP (1/2OZ.)

| <u>Illus. No.</u> | <u>Part No.</u> | <u>Description</u> |
|-------------------|-----------------|-------------------------|
| | 72017 | White |
| | 72032 | Black |
| | 511873 | White Porcelain (2 oz.) |
| | 4392899 | Biscuit/Bisque |

PAINT, PRESSURIZED SPRAY (12 OZ.)

| <u>Illus. No.</u> | <u>Part No.</u> | <u>Description</u> |
|-------------------|-----------------|--------------------|
| | 350930 | White |
| | 350939 | Enamel, Black |
| | 285006 | Black |
| | 350942 | White Primer |
| | 4392901 | Biscuit/Bisque |

PAINT, BULK (1 QT.)

| <u>Illus. No.</u> | <u>Part No.</u> | <u>Description</u> |
|-------------------|-----------------|--------------------|
| | 799344 | White |

MISCELLANEOUS

| <u>Illus. No.</u> | <u>Part No.</u> | <u>Description</u> |
|-------------------|-----------------|---|
| | 212643 | Sealer, Gum (4 Feet) |
| | 479502 | Tape, Vinyl (3/4 x 108") |
| | 876370 | Insulation (2 Pieces, 3" x 24" x 48") |
| | 876305 | Insulation Kit (14 Pieces, 3" x 24" x 48") |
| | 978941 | Insulation, Fiberglass (63 1/2" x 35 1/2" x 2 5/8") |
| | 876029 | Kit, Foam Slab (30" x 32 1/2" x 1 1/2") |
| | 505587 | Sealer, Mastic (1 Qt) |
| | 503695 | Cork, Sealer |
| | 20000008 | Cleaner, Stainless Steel |
| | 542638 | Grease, Silicone (1/2 Oz.) |
| | 542639 | Cement, Alumilastic (1 1/4 Oz.) |
| | 833938 | Kit, Terminal Connector |

TORX SCREW WRENCH

| <u>Illus. No.</u> | <u>Part No.</u> | <u>Description</u> |
|-------------------|-----------------|--------------------|
| | 1117510 | Torx Key |