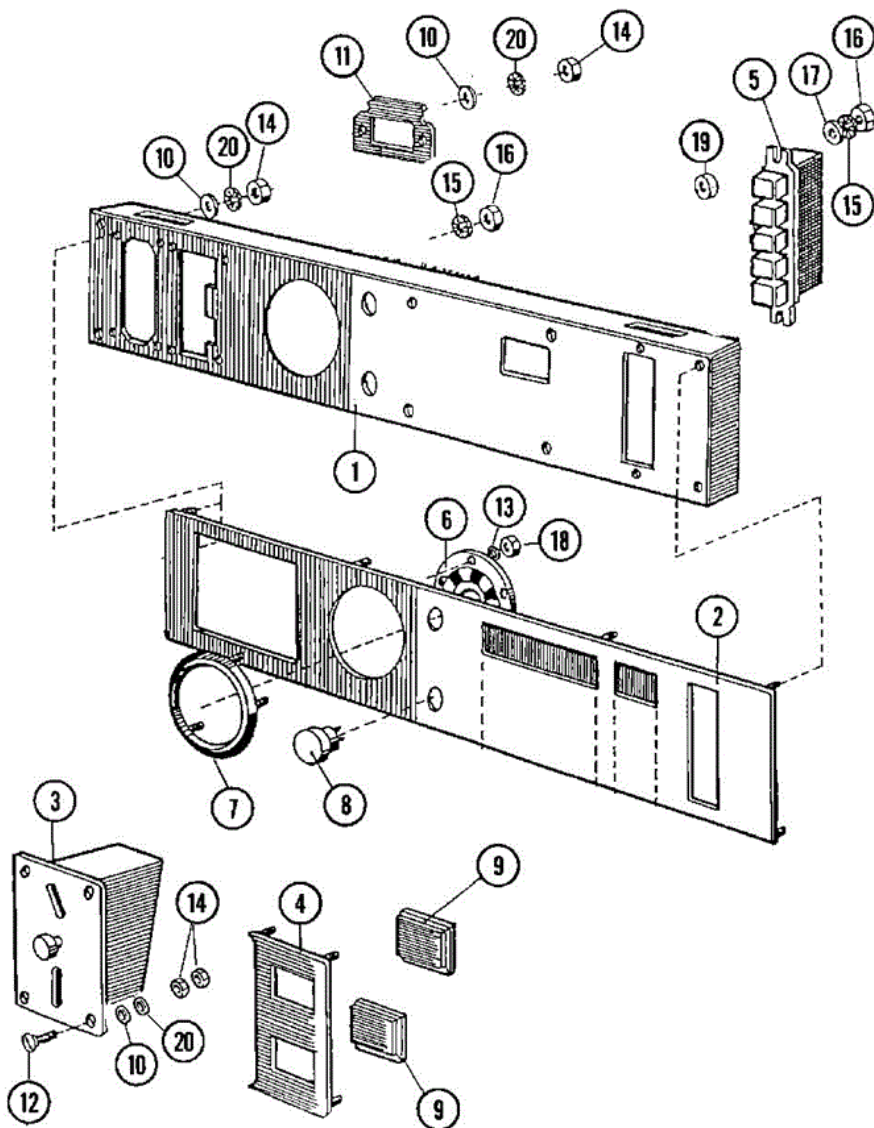


Distribuidor Autorizado

SurteRápido.com

Venta de Refacciones
Electrodomesticas

MFR35MCATS CONTROL PANEL (MC)

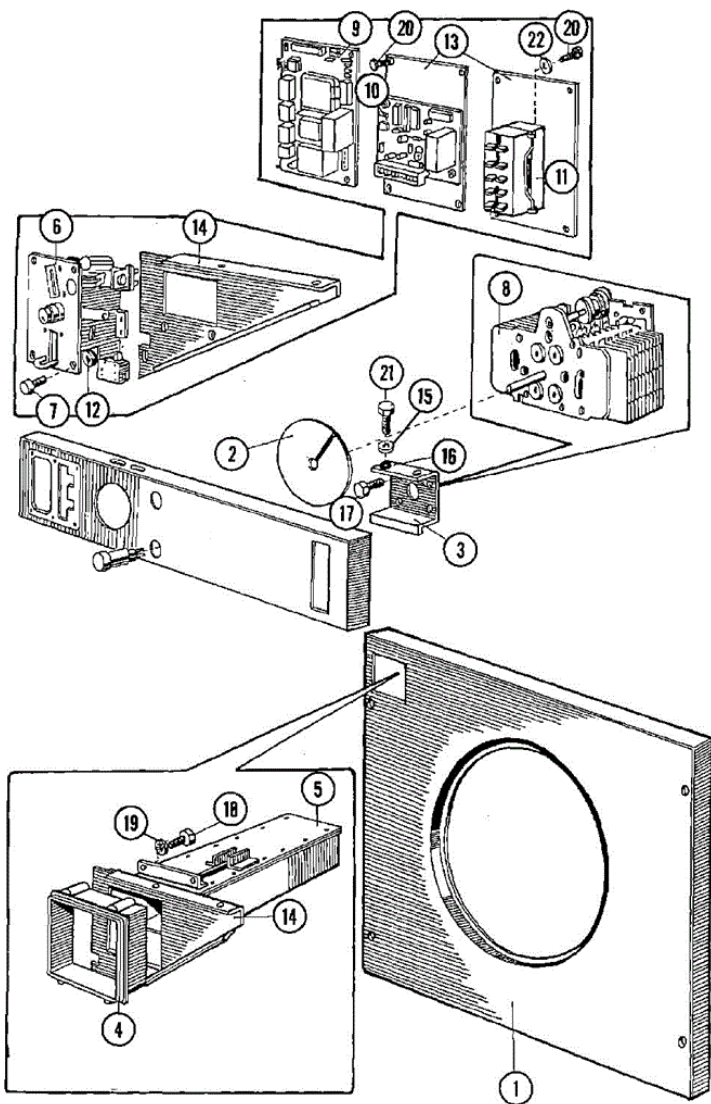




MFR35MCATS CONTROL PANEL (MC)

1	23001039	10	PLATE, BACK-UP (COIN METER)
2	23001489	10	PANEL, CONTROL
3	23001063	10	COIN METER (25 CENTS-240V)
4	23001041	10	INSERT PLATE, COIN COUNTER
5	23001042	10	SELECTOR SWITCH, PROGRAM
6	23002495	10	DISC, INDICATOR (ENGLISH)
7	23001044	10	DISC, ORNAMENTAL RING INDIC.
8	23001046	10	LAMP, INDICATOR
9	23001049	10	LENS, TRANSPARENT RED
10	23003654	10	WASHER (M3)
11	23002864	10	PLATE, FIXATION (PLEXI)
12	23001064	10	SCREW, ORNAMENTAL (M3 X 10)
13	23002325	10	WASHER
14	23002958	10	NUT M3
15	23002426	10	WASHER, LOCKING
16	23001055	10	NUT (M4)
17	23001056	10	WASHER (4.3)
18	23001057	10	SPEEDNUT (M3)
19	23001058	10	SPACER
20	23001013	10	LOCK WASHER EXTERNAL TEETH M4
21	23001038	10	CONVERSION KIT (MC TO MN)
21	23002334	11	MC TO MN CONVERS.(CSA)

MFR35MCATS TIMER & COIN

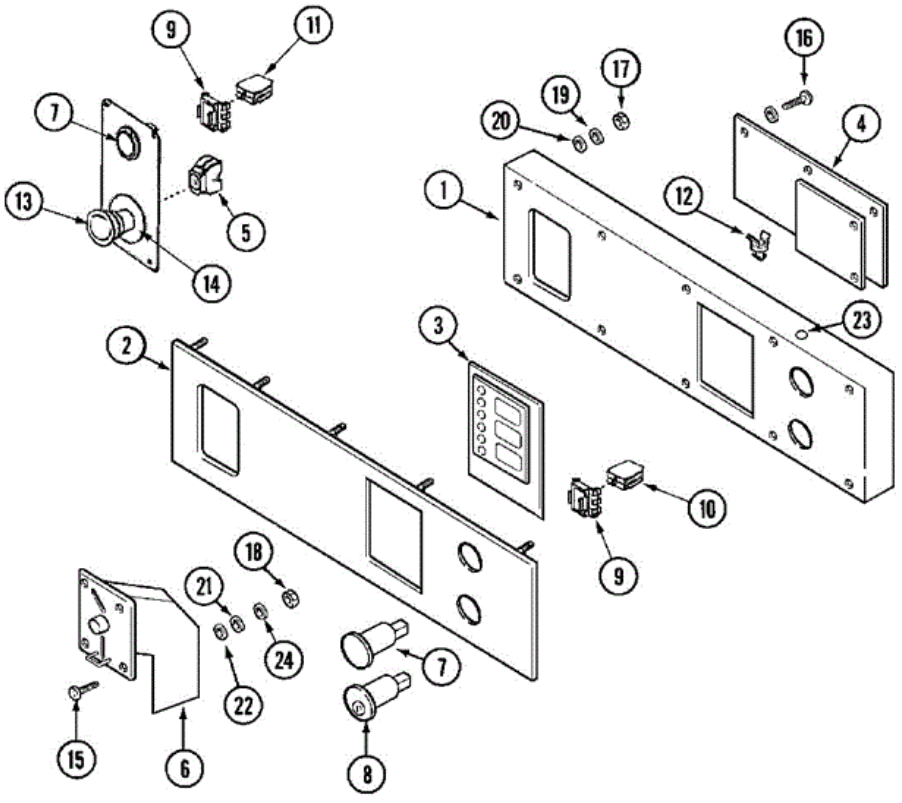




MFR35MCATS TIMER & COIN

1	23001320	10	PANEL, FRONT (STNLS STEEL)
2	23001060	10	INDICATOR DISC, TIMER
3	23001061	10	TIMER, SUPPORT
4	23001062	10	COLLAR, COIN VAULT
5	23001349	10	VAULT, COIN
6	23003987		COIN COUNTER HARN-MC
6	23001063	10	METER, COIN (25 CENTS-240V)
6	23003445	10	COIL (220V)
7	23001064	10	SCREW, ORNAMENTAL (M3 X 10)
8	23001065	10	TIMER (PR 6023 230V)
8	23002204	10	MOTOR, TIMER (230V-LARGE)
9	23003987		COIN COUNTER HARN-MC
9	23001066	10	COUNTER, COIN (W/LED DISPLAY)
9	23001693	10	MEMORY
10	W10124350	10	NOT REQUIRED PART OR SEE NOTE
11	23001068	10	RELAY, START
12	23001053	10	NUT (M3)
13	NLA	10	MOUNTING PLATE, START RELAY
14	23001502	10	SUPPORT, COIN VAULT
15	23001028	10	LOCKWASHER (EXTERNAL TEETH M6)
16	23001027	10	WASHER (DIA. 12X6.5X1.6)
17	23001069	10	BOLT (M4X4)
18	23001070	10	SCREW (M4X10)
19	23001013	10	LOCK WASHER EXTERNAL TEETH M4
20	23001052	10	SCREW (M3 X 6 CROSS RECESSED)
21	23001026	10	BOLT (M6 X 16)
22	23001054	10	LOCKWASHER
23	23001038	10	CONVERSION KIT (MC TO MN)
23	23002195	10	PC-PN CONVERSION KIT
23	23002333	10	PC TO PN CONVERSION (CSA)
23	23002334	10	MC TO MN CONVERS.(CSA)

**MFR35MCATS CONTROL PANEL
 (PC/PN)**

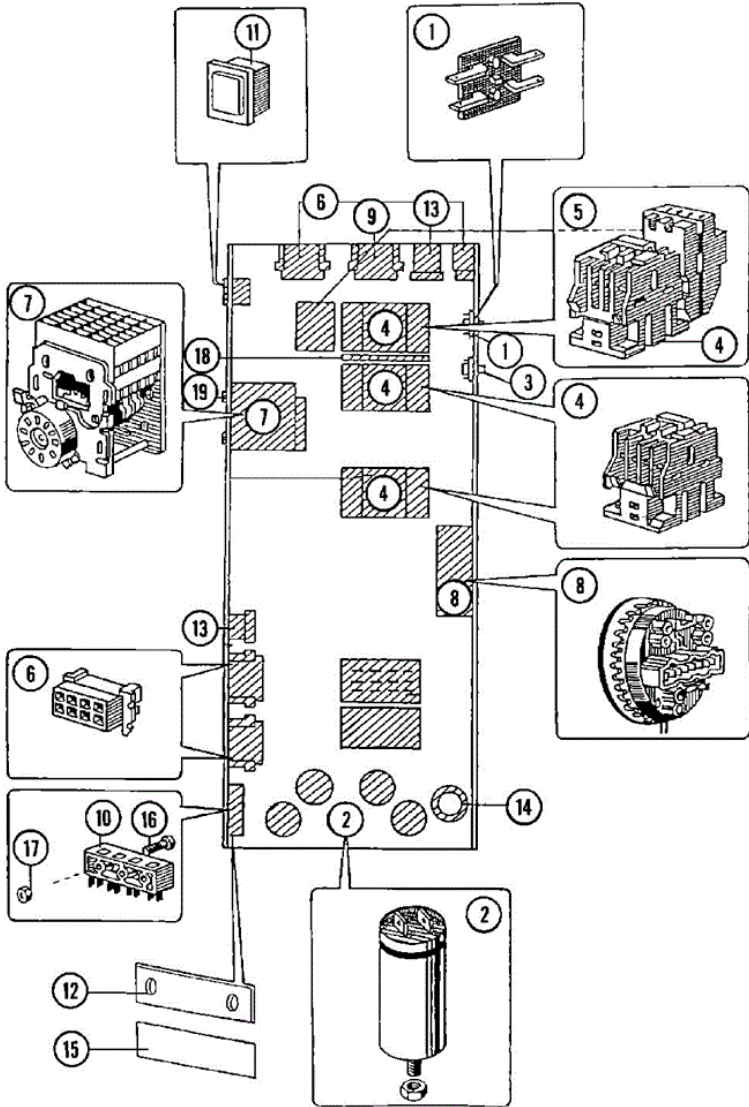




MFR35MCATS CONTROL PANEL (PC/PN)

1	23001339	10	NUT, CAGE
1	NLA	10	PANEL, CONTROL
1	NLA	10	BOLT (M6X16)
2	NLA	10	FACIA, CONTROL PANEL (PC)
3	23001526	10	PLEXI, MICROPROCESSOR
4	23001525	10	MICROPROCESSOR
5	23002331	10	CONTACTOR, CENTRAL STOP
6	23001063	10	METER, COIN (25 CENTS-240V)
7	23001537	10	BUTTON, PUSH
8	23001538	10	BLOCK, KEY
9	23001540	10	ADAPTER, CONTACT BLOCK
10	23001541	10	BLOCK, CONTACT (ON)
11	23002873	10	BLOCK, CONTACT (OFF)
12	23001542	10	HOLDER
13	23002332	10	KNOB, CENTRAL STOP
14	23002330	10	LABEL, CENTRAL STOP
15	23001064	10	ORNAMENTAL SCREW (M3 X 10)
16	23001544	10	BOLT (M3X10)
16	23002174	10	WASHER (3.2)
17	23001055	10	NUT (M4)
18	23001053	10	NUT (M3)
19	23001013	10	LOCK WASHER EXTERNAL TEETH M4
20	23002111	10	WASHER (4)
21	23002174	10	WASHER (3.2)
22	23001610	10	WASHER (4.3)
23	NLA	10	LABEL, EARTH
24	NLA	10	LOCKWASHER (M3)

MFR35MCATS MAIN CONTROLS





MFR35MCATS MAIN CONTROLS

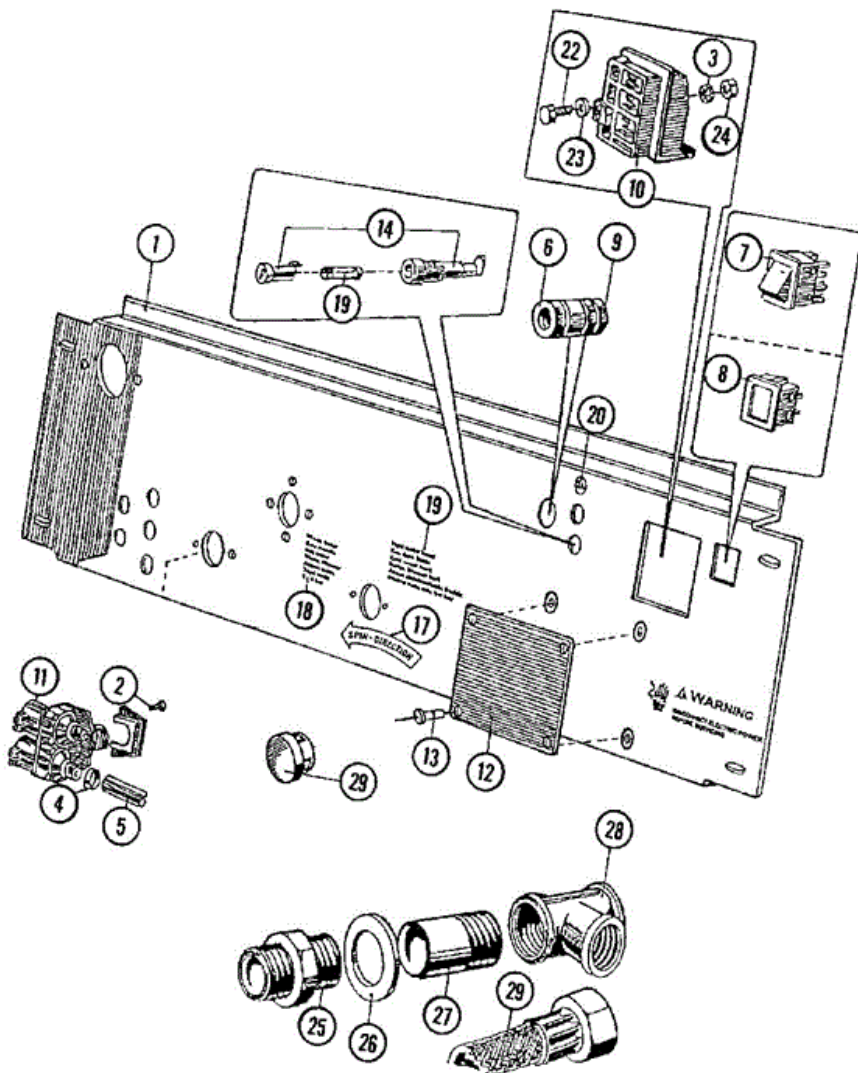
1	23001094	10	BRIDGE, RECTIFIER
2	23001096	10	CAPACITOR (60MF)
2	23001098	10	CAPACITOR (130MF)
3	23001099	10	SOCKET, PC BOARD
4	23001100	10	CONTACTOR (LC1-D0901 M7)
4	23001101	10	CONTACTOR (LC1-D1201 M7)
5	23001107	10	RELAY, THERMAL OVERLOAD(12-18A
5	23001108	10	RELAY, THERMAL OVERLOAD (7-10A
6	23001109	10	HOUSING, CONNECTOR (8 POLE)
7	23001110	10	TIMER, REVERSING (PR1840)
8	23001111	10	SWITCH, WATER LEVEL
8	23002176	10	SWITCH, WATER LEVEL
9	23001112	10	HOUSING, CONNECTOR (6 POLE)
10	23001113	10	HOUSING, CONNECTOR (6 POLE)
11	23001114	10	SWITCH, ROCKER (PREWASH)
12	23001115	10	PAPER, INSULATION
13	23001116	10	HOUSING, CONNECTOR (4 POLE)
14	23001117	10	RING, RUBBER (DIA. 25)
15	23001118	10	STICKER, LIQUID SOAP
16	23001089	10	SCREW (M4 X 16 CK)
17	23001055	10	NUT (M4)
18	23001119	10	MECHANICAL INTERLOCK, CONTACTO
19	23001069	10	BOLT (M4X4)
20	NLA	10	SCREW (M6 X 25)
21	23001312	10	NUT M6
22	23001028	10	LOCK WASHER (M6)
23	23001518		SERIES 15 - NO LONGER NEEDED
23	NLA	10	NET FILTER
24	23001465	10	STICKER, ELECTRICITY WARNING
25	NLA	10	STICKER
26	NLA	10	LABEL, EARTH

Distribuidor Autorizado

SurteRápido.com

Venta de Refacciones
Electrodomesticas

MFR35MCATS WATER VALVE & REAR PANEL





MFR35MCATS WATER VALVE & REAR PANEL

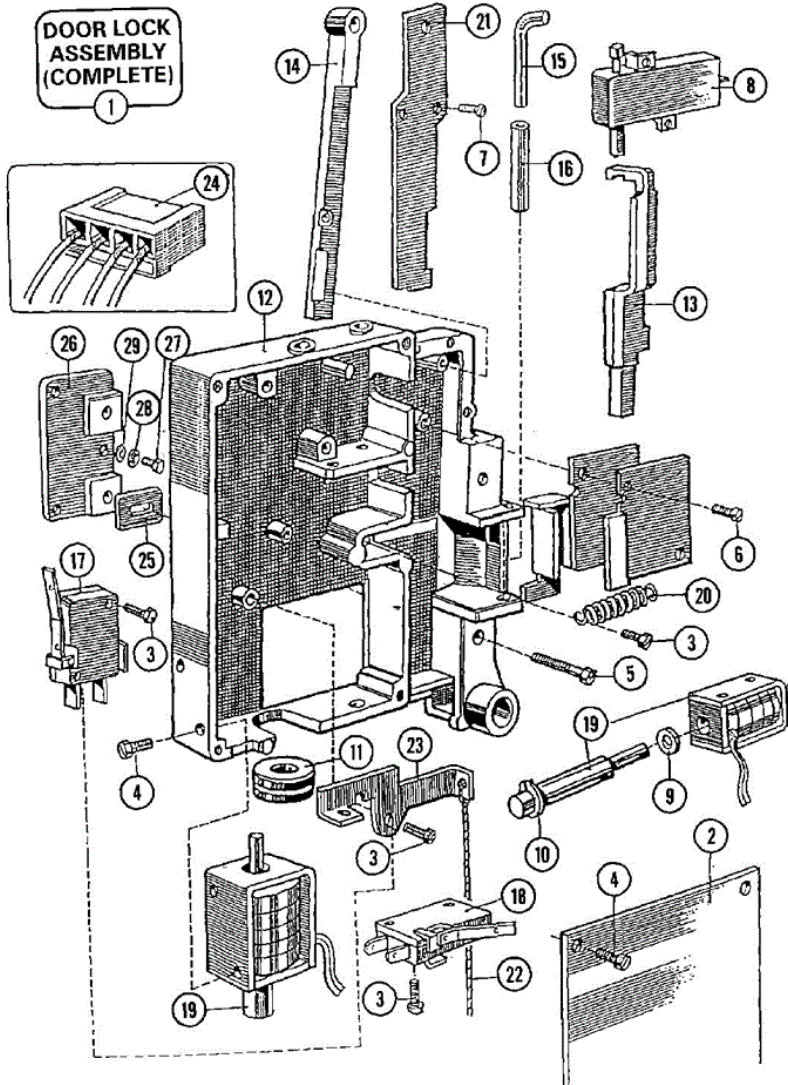
1	23001503	10	PANEL, VALVE
2	23001361	10	BOLT M4X10
3	23001013	10	LOCK WASHER EXTERNAL TEETH M4
4	23001506	10	CLAMP, HOSE
5	23001507	10	WATERHOSE (GREEN)
6	23001450	10	SWIVEL (PG9)
7	23001529	10	BUTTON (RAPID ADVANCE)
8	23001452	10	PLUG (WHT)
9	23001453	10	NUT, SWIVEL (PG9)
10	23001454	10	BLOCK, TERMINAL CONNECTION
11	23001455	10	VALVE, TWO WAY (220V 50/60HZ)
12	23001460	10	PLATE, IDENTIFICATION
13	23001461	10	RIVETS, BLIND
14	23001462	10	HOLDER, FUSE
15	23001508	10	FUSE (1A)
16	23001465	10	STICKER, ELECTRICITY WARNING
17	23001468	10	STICKER, SPIN DIRECTION
18	23001469	10	STICKER, HOT WATER
19	23001471	10	STICKER, COLD SOFT WATER
20	NLA	10	STICKER (1A)
21	NLA	10	PLUG, LIQUID SOAP OPENING
22	NLA	10	SCREW (M 4 X 16 BRASS)
23	NLA	10	WASHER (DIA. 9 X 4.3 X 0.8)
24	23001481	10	NUT (M4 BRASS)
25	23001482	10	NIPPLE (3/4`` PIPE THREAD)
26	23001483	10	WASHER (DIA. 40 X 6.5 X 3)
27	23001484	10	EXTENSION, BRASS PIPE THREAD
28	23001485	10	TEE, 3/4`` PIPE THREAD (BRASS)
29	23001523	10	HOSE, CONNECTION
30	23001522	10	SCREW (M6 X 12)
30	NLA	10	PLATE VALVES

Distribuidor Autorizado

SurteRápido.com

Venta de Refacciones
Electrodomesticas

MFR35MCATS DOOR LOCK





MFR35MCATS DOOR LOCK

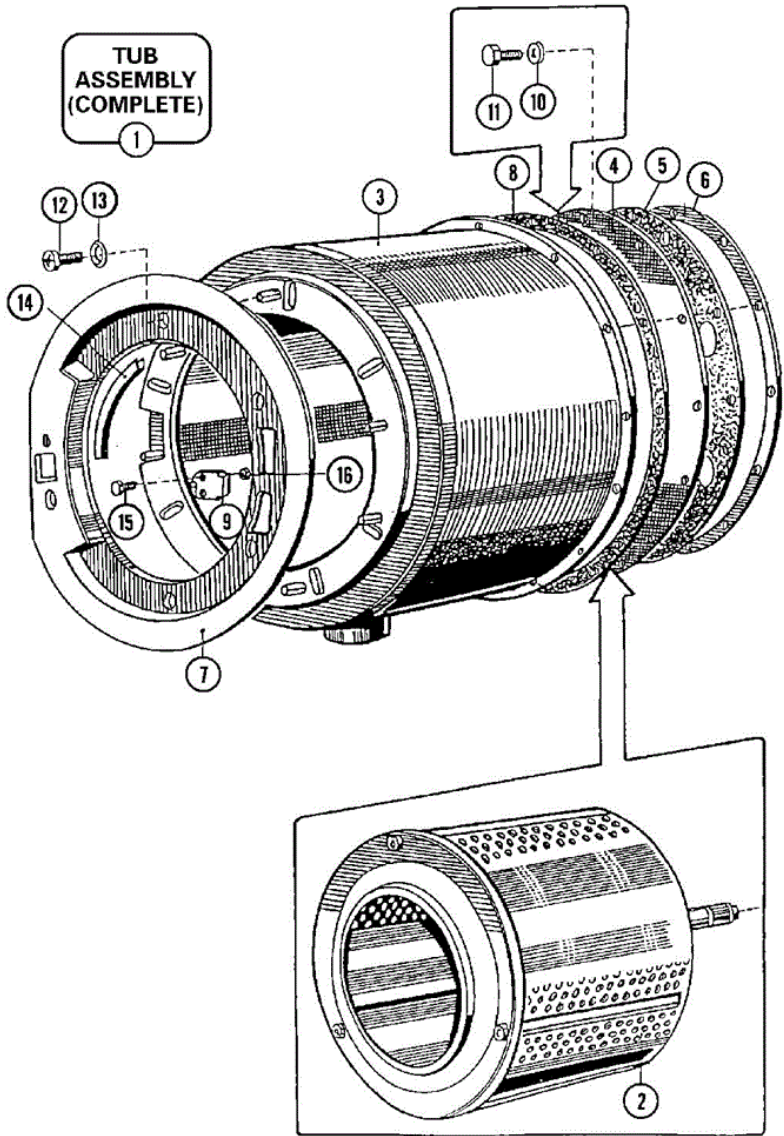
1	23001129	10	DOORLOCK (COMPLETE-220V 50/60)
2	23001130	10	PLATE, COVER (STNLS STEEL)
3	23001131	10	SCREW (M3 X 14 CROSS RECESSED)
4	23001132	10	SCREW (M3 X 4 CROSS RECESSED)
5	23001133	10	SCREW (M5X25 STNLS STEEL)
6	23001070	10	SCREW (M4X10)
7	23001134	10	BOLT (M3 X 6)
8	23001135	10	BIMETAL, ACTUATOR (230V)
9	23001136	10	WASHER (DIA. 5.1 X 3.3 X 0.1)
10	23001137	10	RING, RETAINING (G10)
11	23001138	10	BUSHING, CABLE PASSAGE
12	23001139	10	HOUSING, DOOR LOCK
13	23001140	10	BAR, LOCKING
14	23001141	10	BAR, HANDLE LATCH
15	23001142	10	RETAINER, LOCK TUBE (DIA.4X45)
16	23001143	10	TUBE, LOCK (DIA. 4X23.5 STNLS)
17	23001144	10	MICROSWITCH, LEVER (SHORT)
18	23001145	10	MICROSWITCH, LEVER (LONG)
19	23001146	10	COIL (240V)
19	23001147	10	COIL (120V)
20	23001148	10	COIL SPRING, HANDLE LATCH BAR
21	23001149	10	LEAF SPRING, LATCH BAR
22	23001152	10	CORD, EMERGENCY OPENING
23	23001153	10	LEVER, EMERGENCY OPENING
24	23001154	10	WIRING HARNESS, DOORLOCK (OPL)
25	23001155	10	SHIM
26	23001156	10	SPACER, LOCK
27	23001157	10	BOLT (M6X12 STNLS STEEL)
28	23001158	10	SPRING, LOCKWASHER (M6)
29	23001159	10	WASHER (DIA. 14X8.6X1 STNLS)LU



MFR35MCATS DOOR

1	23001161	10	RING, DOOR
2	23001162	10	NUT, ORNAMENTAL (STNLS STEEL)
3	23001163	10	GLASS, DOOR
4	23001164	10	GASKET, DOOR GLASS
5	23001165	10	PLATE, HINGE
6	23001166	10	SHIM, HINGE PLATE
7	23001510	10	HANDLE, DOOR
7	23003631	14	HANDLE, DOOR (FRONT) 23003700 ASSY
7	23003632	14	HANDLE, DOOR (BACK) 23003700
7	23003700	14	HANDLE, DOOR ASSY HANDLE FRONT& BACK
8	NLA	10	LEVER, HANDLE
8	23003634	14	LEVER, DOOR
9	23001168	10	SHAFT, LEVER
10	23001169	10	SPRING, HANDLE LEVER
11	23001170	10	FASTENER, SPRING (DIA. 3.2)
11	23001057	14	SPEEDNUT (M3)
12	23001171	10	BASE, HINGE
13	23001172	10	SHAFT, DOOR HINGE
14	23001173	10	HANDLE, LEVER PLATE
15	23001175	10	SCREW (M6X20 STNLS STEEL)
15	23002937	14	SCREW (M6X26)
16	23001176	10	NUT (M6 STNLS STEEL)
17	23001158	10	SPRING, LOCKWASHER (M6)
18	23001159	10	WASHER (DIA. 14X8.6X1 STNLS)LU
19	23001177	10	SCREW (M4X10 STNLS STEEL)
20	23001178	10	MICROSWITCH, ACTIVATING PLATE
21	23001179	10	SCREW (M4X10 STNLS STEEL)
22	23001180	10	WASHER (DIA. 10X5.3X1)
23	23001181	10	RING, RETAINING (DIA. 8)
24	23001182	10	BOLT (M6X16 STNLS STEEL)
25	23001185	10	DOORSEAL, TENSION RING
26	23001186	10	DOORSRING, TENSION SPRING

**MFR35MCATS BASKET & OUTER
SHELL**

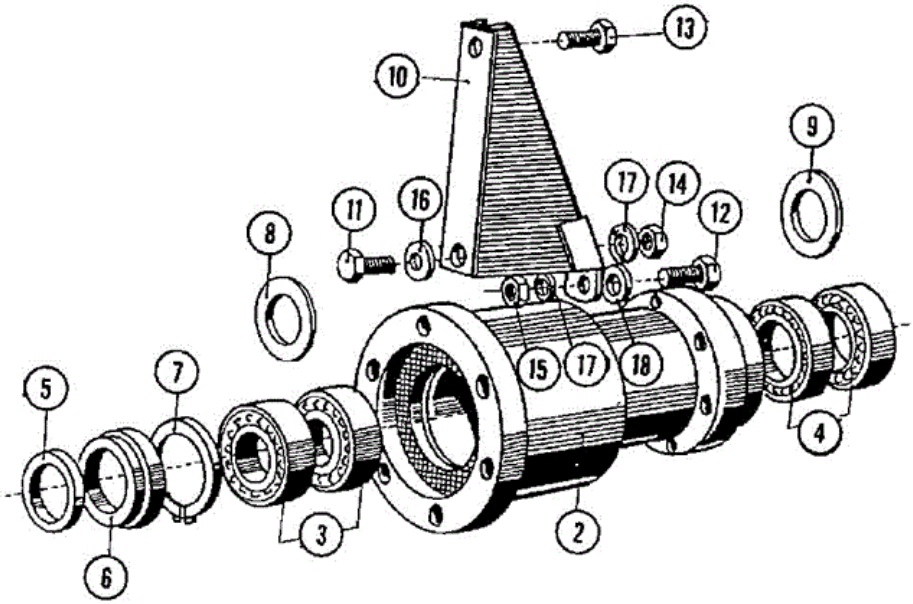




MFR35MCATS BASKET & OUTER SHELL

1	NLA	10	TUB (COMPLETE)
2	23001189	10	DRUM & SHAFT
3	23001191	10	SHELL, OUTER
4	23001193	10	BACKPLATE (STNLS STEEL)
5	23001195	10	BACKPLATE (IRON)
6	23001197	10	RING, CLAMP (24 HOLES)
7	23001198	10	SHIELD
8	23001199	10	GASKET, REAR SHELL (24 HOLES)
9	23001200	10	HINGE, MIRCO SWITCH
10	23001201	10	WASHER (DIA. 22X11X1 BRASS)
11	23001202	10	BOLT (M10X35 STNLS STEEL)
12	23001177	10	SCREW (M4 X 8 STNLS STEEL)
13	23001204	10	WASHER, FINISHING (DIA. 5)
14	23001088	10	TRIM, RUBBER
15	23001089	10	SCREW (M4 X 16 CK)
16	23001055	10	NUT (M4)

MFR35MCATS BEARINGS & TRUNNION





MFR35MCATS BEARINGS & TRUNNION

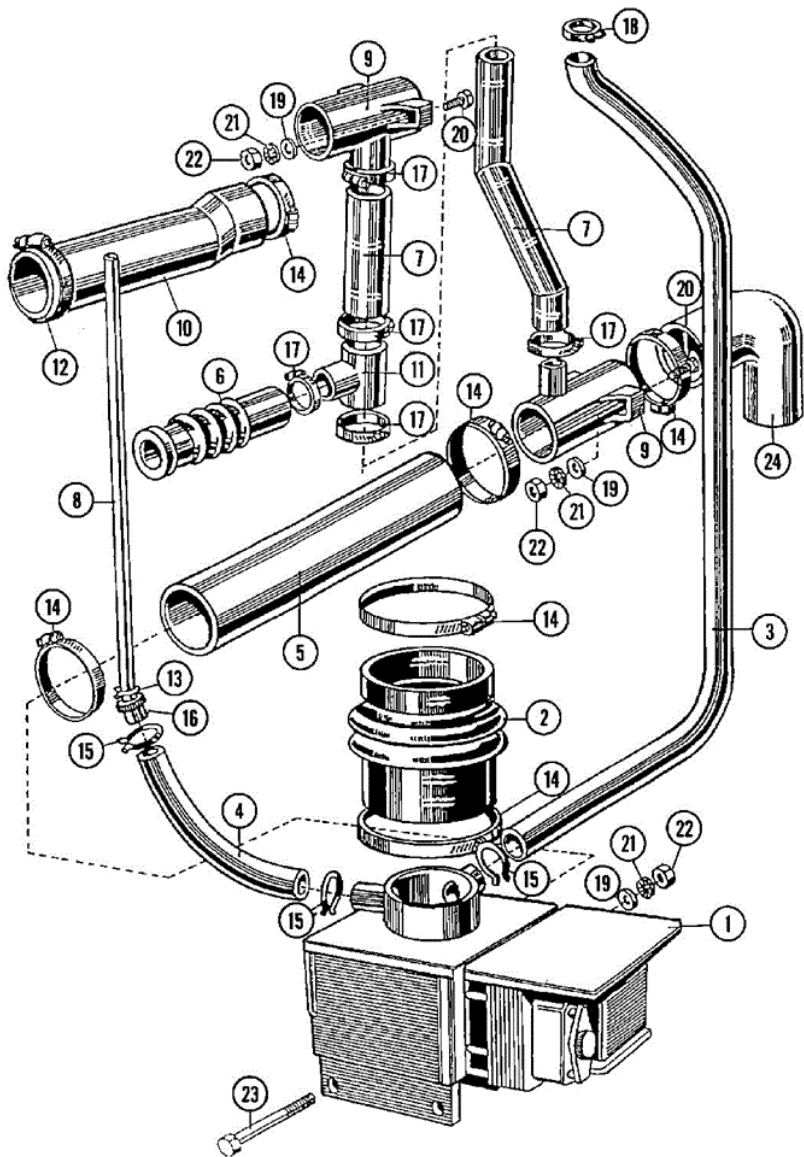
1	23001208	10	TRUNNION ASSEMBLY
2	23001230	10	TRUNNION (CASTING ONLY)
3	23001231	10	BEARING (6209 2RS C3)
4	23001232	10	BEARING (REAR)
5	23001233	10	RING, SEAL
6	23001234	10	SEAL, WATER
7	23001235	10	RING, INTERNAL SNAP
8	23001236	10	SPACER RING (FRONT BEARING)
9	23001237	10	SPACER RING (REAR BEARING)
10	23001238	10	SPOKE
11	23001202	10	BOLT (M10X35 STNLS STEEL)
12	23001239	10	BOLT (M10 X 40)
13	23001205	10	BOLT (M8 X 45)
14	23001240	10	NUT (M10)
15	23001241	10	LOCKING NUT, SELF (M10) LU
16	23001201	10	WASHER (DIA. 22X11X1 BRASS)
17	23001242	10	LOCK WASHER, SPRING (M10)
18	23001243	10	WASHER (DIA. 20 X 10.5 X 2)

Distribuidor Autorizado

SurteRápido.com

Venta de Refacciones
Electrodomesticas

MFR35MCATS DRAIN & HOSE

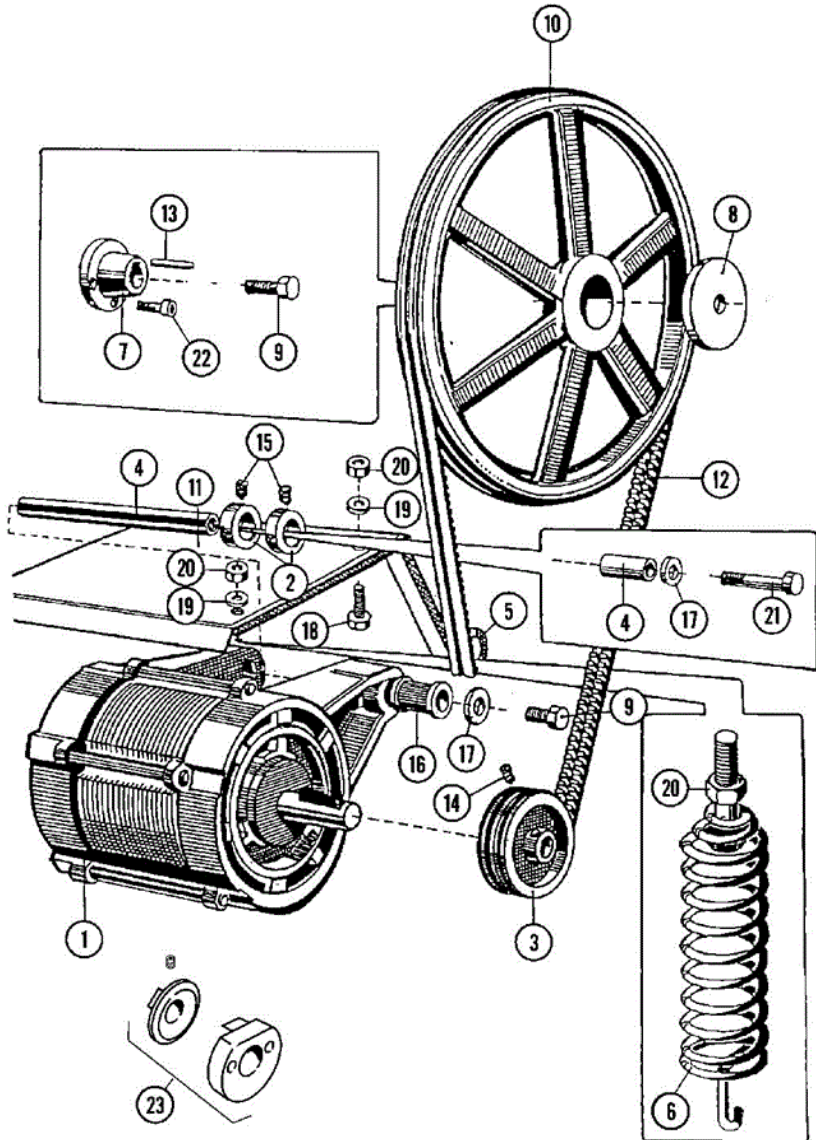




MFR35MCATS DRAIN & HOSE

1	23001244	10	VALVE, DRAIN (240V-50/60HZ)
1	23002321	10	MOTOR, DRAIN (240V)
2	23001245	10	HOSE, TUB
3	23001246	10	HOSE, BOTTOM FILL
4	23001247	10	HOSE, AIR DOME (30 CM)
5	23001249	10	HOSE, DRAIN
6	23001250	10	HOSE, AIR VENT
7	23001251	10	HOSE, OVERFLOW
8	23001252	10	HOSE, WATER LEVEL SWITCH
9	23001253	10	TEE, DRAIN
10	23001254	10	AIR VENT HOSE, SOAP BOX
11	23001255	10	TEE, OVERFLOW HOSE
12	23001256	10	CLAMP, HOSE (60-80)
13	23001257	10	CLAMP, CORBIN (A5.5)
14	23001258	10	CLAMP, HOSE (70-90)
15	23001259	10	CLAMP, CORBIN (A17.5)
16	23001260	10	BUSHING, AIR DOME HOSE
17	23001261	10	CLAMP, HOSE (32-50)
18	23001262	10	CLAMP, HOSE (20-32)
19	23001263	10	WASHER (8.4)
20	23001264	10	BOLT M8X20
21	23001265	10	WASHER (8)
22	23001266	10	NUT M8
23	23001267	10	BOLT (M8 X 120)
24	23001268	10	HOSE, DRAIN (90 DIA.)

MFR35MCATS MOTOR & BASKET





MFR35MCATS MOTOR & BASKET

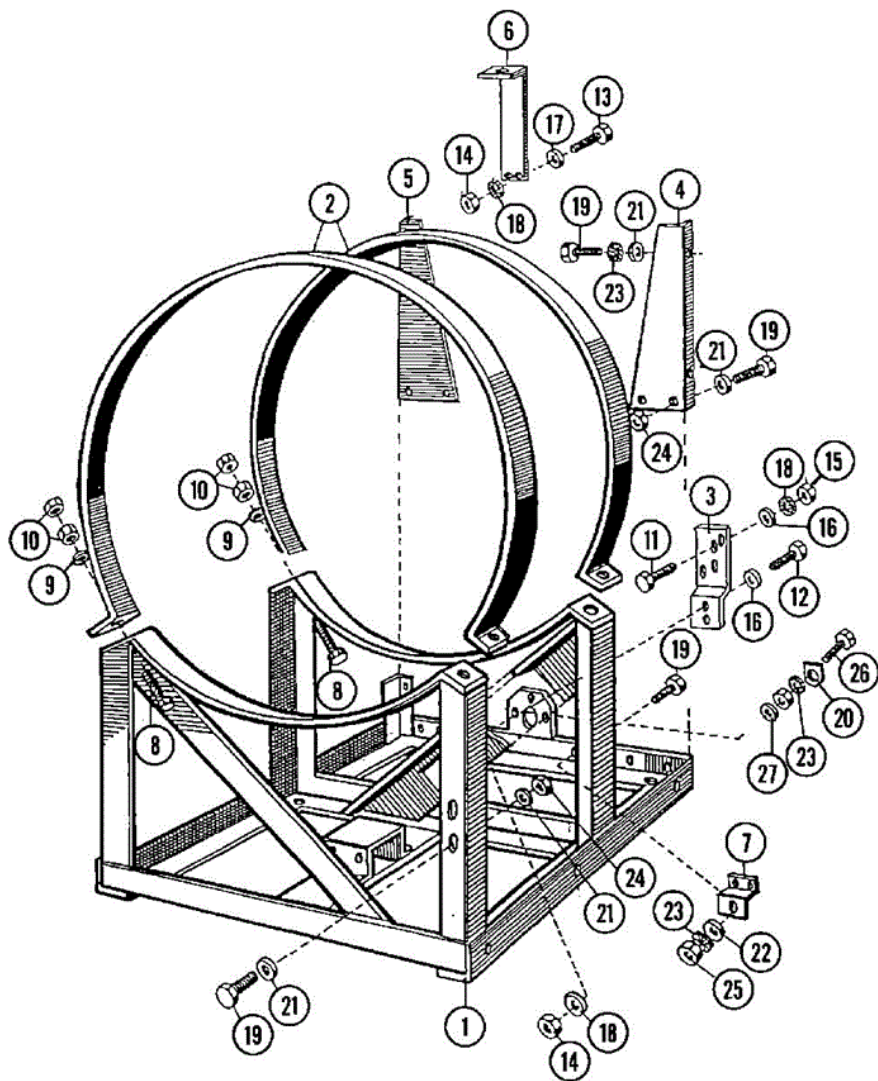
1	23001269	10	MOTOR (SINGLE PHASE-240/208V)
1	23001270	10	MOTOR (THREE PHASE-240V/208V)
1	24001017	10	BEARING, 6205-2RS
2	23001272	10	COLLAR, RETAINER
3	23001273	10	V-PULLEY (DIA. 53 X PZ 60HZ)
4	NLA	10	ROD, MOTOR SUPPORT
5	23001278	10	TENSIONER, BELT
6	23001279	10	BELT, TENSION SPRING
7	23001280	10	BUSHING, TAPERED (W/KEY SLOT)
8	23001282	10	WASHER (DIA. 37 X 13 X 3)
9	23001283	10	BOLT (M12 X 35)
10	23001284	10	PULLEY, BASKET (DIA. 450)
11	23001286	10	SHIELD, MOTOR
12	23001287	10	V-BELT (XPZ X 1950)
13	23001288	10	KEY, BASKET PULLEY(10 X 8X 60)
14	23001289	10	SCREW, ALLEN SET (M8 X 10)
15	23001290	10	SCREW, ALLEN SET (M6 X 6)
16	23001291	10	BUSHING, RUBBER MOTOR MOUNT
17	23001292	10	WASHER (13)
18	23001264	10	BOLT M8X20
19	23001265	10	WASHER (8)
20	23001266	10	NUT M8
21	23001294	10	BOLT (M12 X 70)
22	23002336	10	BOLT, SOCKET HD (M12 X 50)
23	23002317	10	SWITCH, CENTRIFUGAL

Distribuidor Autorizado

SurteRápido.com

Venta de Refacciones
Electrodomesticas

MFR35MCATS BASE FRAME





MFR35MCATS BASE FRAME

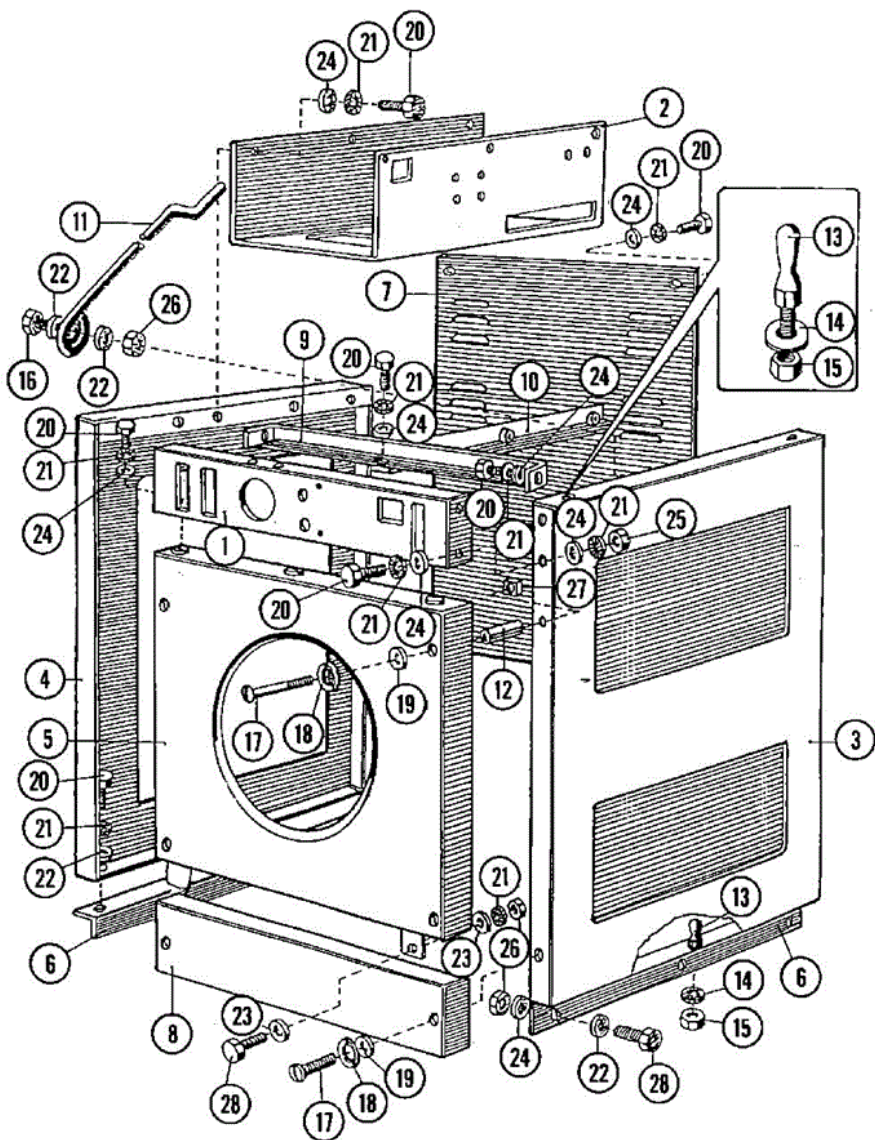
1	NLA	10	FRAME
2	23001297	10	CLAMP, TUB
3	23001298	10	BRACE, TUB SUPPORT
4	23001299	10	PANEL, SUPPORT BRACKET (RT)
5	23001300	10	PANEL, SUPPORT BRACKET (LT)
6	NLA	10	BRACKET
7	23001302	10	BRACKET
8	23001294	10	BOLT (M12 X 70)
9	23001292	10	WASHER (13)
10	23001303	10	NUT (M12)
11	23001205	10	BOLT (M8 X 45)
12	23001304	10	BOLT (M8 X 35)
13	23001305	10	BOLT M8X25
14	23001266	10	NUT M8
15	23001306	10	LOCKING NUT, SELF
16	23001263	10	WASHER (8.4)
17	23001203	10	WASHER (DIA. 16 X 8.4 X 1.6)
18	23001265	10	WASHER (8)
19	23001307	10	BOLT (M6 X 20)
20	23001308	10	HARDWARE, GROUNDING
21	23001309	10	WASHER (6.4) LU
22	23001027	10	WASHER (DIA. 12X6.5X1.6)
23	23001028	10	LOCKWASHER (EXTERNAL TEETH M6)
24	23001310	10	NUT, SELF LOCKING (M6)
25	23001034	10	NUT (M6)
26	23001157	10	BOLT (M6 X 12 STNS STEEL)
27	23001159	10	WASHER (DIA. 14X8.6X1 STNLS)LU

Distribuidor Autorizado

SurteRápido.com

Venta de Refacciones
Electrodomesticas

MFR35MCATS CABINET

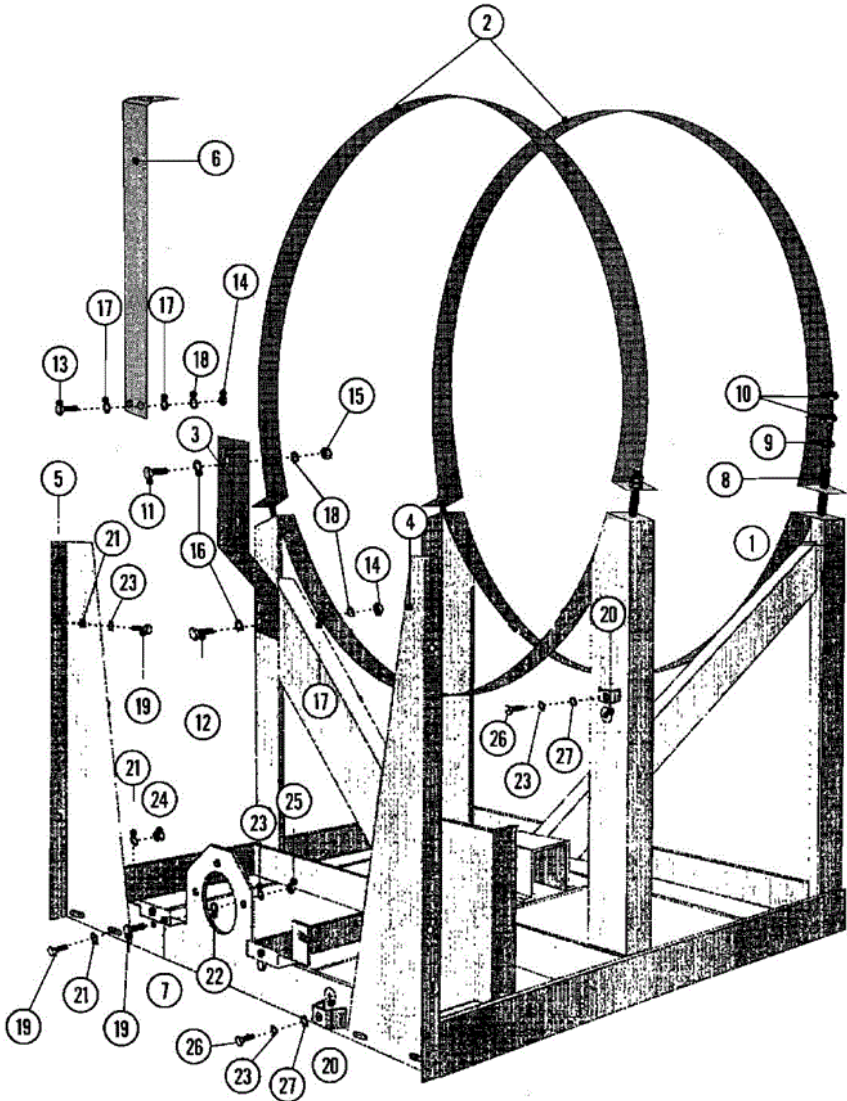




MFR35MCATS CABINET

1	23001039	10	PLATE, BACK-UP (COIN METER)
1	NLA	10	PANEL, CONTROL
2	23001314	10	TRAY, ELEC. COMPONENTS
3	23001316	10	PANEL, SIDE (RT)
4	23001318	10	PANEL, SIDE (LT)
5	23001320	10	PANEL, FRONT (COIN)
5	23002853	10	PANEL, FRONT
6	23001321	10	SUPPORT, PANEL (RT)
6	23001322	10	SUPPORT, PANEL (LT)
7	23001325	10	PANEL (REAR)
8	23001326	10	PANEL, ACCESS (LWR)
9	23001327	10	BEAM, CROSS
10	23001328	10	BRACE
11	23001330	10	ROD, TOP PANEL SUPPORT
12	23001331	10	SPACER, PANEL
13	23001332	10	PIN, SRV
14	23001333	10	LOCK WASHER (M5) LU
15	23001334	10	NUT (M5) LU
16	23001335	10	BOLT (M6 X 25)
17	23001336	10	SCREW (M6 X 50)
18	23001337	10	WASHER, FINISHING
19	23001338	10	WASHER, FIBER (DIA. 15X7X3)
20	23001026	10	BOLT (M6 X 16)
21	23001028	10	LOCKWASHER (EXTERNAL TEETH M6)
22	23001309	10	WASHER (6.4) LU
23	23001309	10	WASHER (6.4) LU
24	23001027	10	WASHER (DIA. 12X6.5X1.6)
25	23001034	10	NUT (M6)
26	23001310	10	NUT, SELF LOCKING (M6)
27	23001339	10	NUT, CAGE
28	23001335	10	BOLT (M6 X 25)
29	23001548	10	HOLDER, CAPACITOR

MFR35MCATS BASE FRAME (SERIES 11)





MFR35MCATS BASE FRAME (SERIES 11)

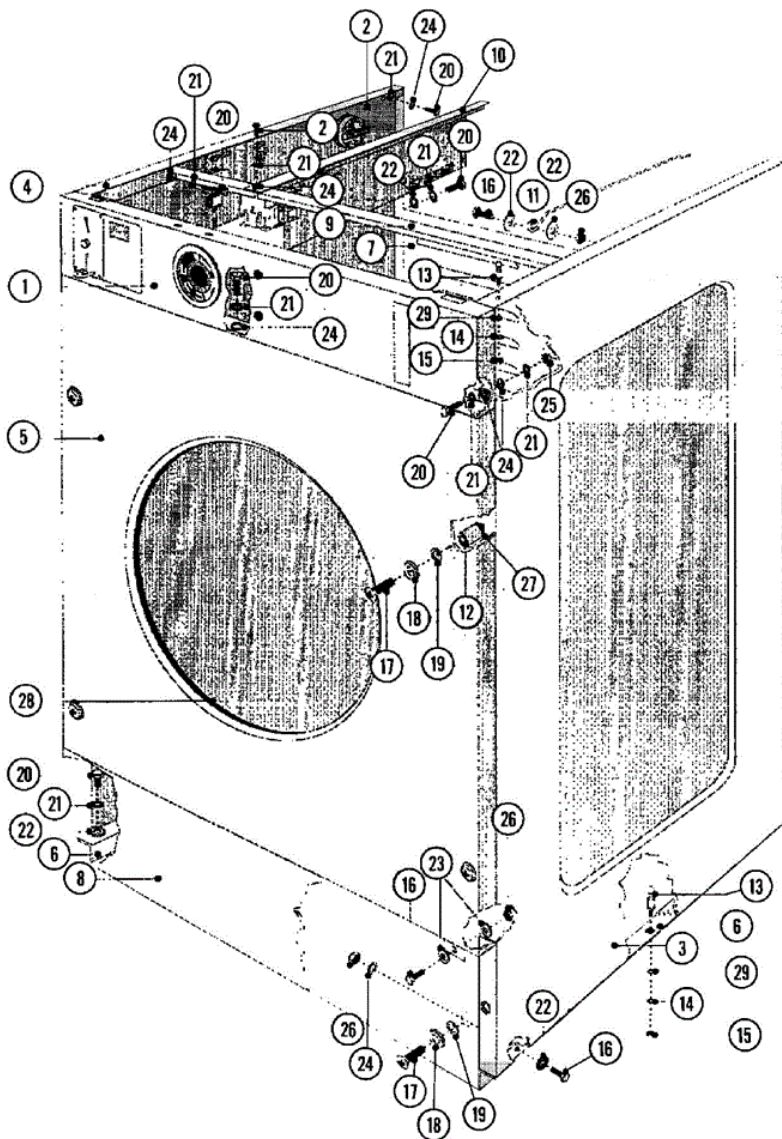
1	23002840	11	FRAME
2	23001297	11	CLAMP, TUB
3	23002841	11	BRACE, TUB SUPPORT
4	23002842	11	BRACKET, SUPPORT (RT-SIDE)
5	23002843	11	BRACKET, SUPPORT (LT-SIDE)
6	23002844	11	HOLDER, STEAM TUBE
7	23002845	11	CONNECTION, PART BACK PLATE
8	23002846	11	SCREW (M12 X 70)
8	23002931	16	SCREW (M14X50)
9	23002657	11	WASHER (13)
9	23002258	16	WASHER M14
10	23001599	11	NUT (M12)
10	23003746	16	NUT, M14
11	23002847	11	SCREW (M8X45)
12	23001304	11	BOLT (M8 X 35)
13	23002647	11	SCREW (M8X25)
14	23002435	11	NUT (M8)
15	23001607	11	NUT (M8)
16	23001263	11	WASHER (8.4)
17	23002653	11	WASHER (8/6)
18	23002358	11	WASHER M8
19	23002462	11	SCREW (M6 X 20) LU
20	NLA	11	PLATE, INDEX
21	23001309	11	WASHER (6.4) LU
22	23002282	11	WASHER (6)
23	23001734	11	WASHER (M6)
24	23002471	11	NUT
25	23002436	11	NUT (M6)
26	23002353	11	SCREW (M6X12)
27	23001643	11	WASHER (M6)

Distribuidor Autorizado

SurteRápido.com

Venta de Refacciones
Electrodomesticas

MFR35MCATS CABINET (SERIES 11)

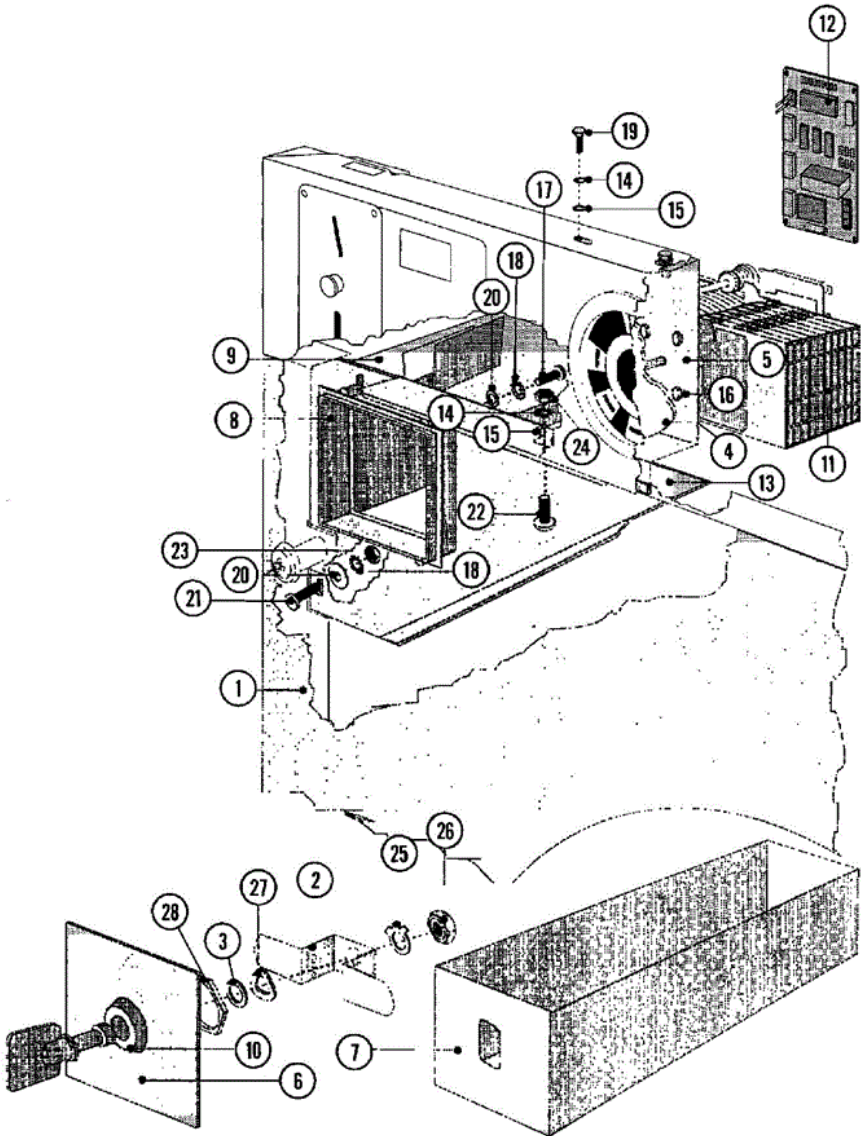




MFR35MCATS CABINET (SERIES 11)

1	23002848	11	PANEL, CONTROL (PUSH BUTTON)
1	23002849	11	PANEL, CONTROL (COIN METER)
2	23002850	11	COMPONENTS, BOX ELEC.
3	23002851	11	PANEL, SIDE (RT)
4	23002852	11	PANEL, SIDE (LT)
5	23001320	11	PANEL, FRONT (SS)COIN
5	23002853	11	PANEL, FRONT (STNLS STEEL)
6	23002854	11	SUPPORT, PANEL (RT)
6	23002855	11	PANEL, SUPPORT (LT)
7	23002856	11	PLATE, BACK
8	23002857	11	PANEL, SERVICE (STAINLESS)
9	23002858	11	BEAM, CROSS
10	23002859	11	HOLDER, BOX
11	23001330	11	SUPPORT ROD, TOP PANEL
12	23002860	11	TUBE, DISTANCE
13	23001332	11	PIN, SRV
14	23002465	11	WASHER, LOCK
15	23002466	11	NUT (M5)
16	23002861	11	SCREW (M6X25) LU
17	23002456	11	SCREW (M6X50)
18	23001337	11	WASHER, FINISHING
19	23001338	11	WASHER, FIBER (DIA. 15X7X3)
20	23002354	11	SCREW (M6X16)
21	23002756	11	WASHER
22	23001309	11	WASHER (6.4) LU
23	23001203	11	WASHER (DIA. 16 X 8.4 X 1.6)
24	23002282	11	WASHER (6)
25	23002436	11	NUT (M6)
26	23002471	11	NUT
27	23001339	11	NUT, CAGE
28	23001088	11	TRIM, RUBBER
29	23002862	11	WASHER (5,3)

MFR35MCATS TIMER & COIN (SERIES 11)

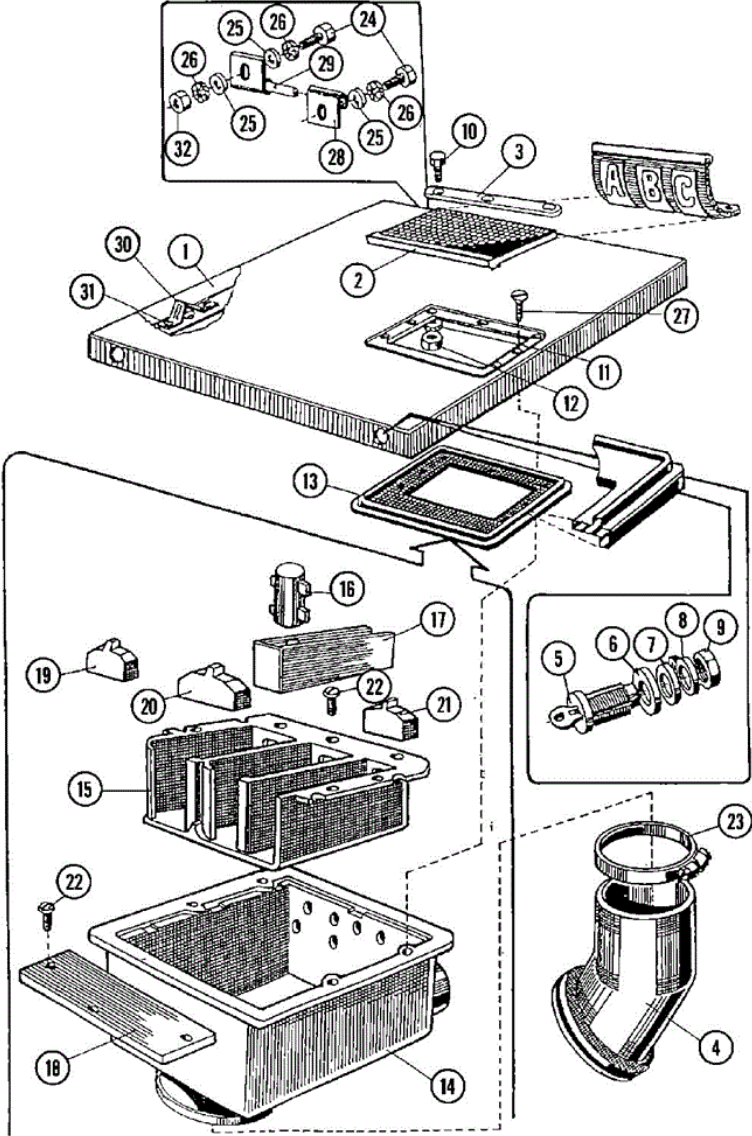




MFR35MCATS TIMER & COIN (SERIES 11)

1	23001320	11	PANEL, FRONT (SS)COIN
2	23002879	11	CAM, COIN LOCK BOX
3	23001580	11	WASHER (6.4)
4	23001060	11	INDICATOR DISC, TIMER
5	23002880	11	TIMER, SUPPORT
6	23002881	11	PLATE, COIN VAULT ORNAMENTAL
7	23002882	11	BOX, COIN
8	23002883	11	VAULT, ORNAMENTAL
9	23002884	11	VAULT, COIN (SINGLE) LU
10	23002885	11	LOCK, COIN VAULT
11	23001065	11	TIMER (PR 6023 230V)
11	23003445	11	COIL (220V)
12	23003987		COIN COUNTER HARN-MC
12	23001066	11	COIN COUNTER (W/LED DISPLAY)
12	23001693	11	MEMORY
13	23001502	11	SUPPORT, COIN VAULT
14	23002756	11	WASHER
15	23001027	11	WASHER (DIA. 12X6.5X1.6)
16	23002886	11	SCREW (M4X4)
17	23002423	11	SCREW (M4 X 10)
18	23002111	11	WASHER (4)
19	23002354	11	SCREW (M6X16)
20	23001610	11	WASHER (4.3)
21	23001012	11	SCREW (M4 X 12 STNLS STEEL)
22	NLA	11	SCREW (M6X12)
23	23002399	11	NUT(M4)
24	23002436	11	NUT (M6)
25	NLA	11	WASHER, SELF LOCKING
28	NLA	11	NUT, LOCK (BIG)
29	23001038	11	CONVERSION KIT (MC TO MN)
29	23002195	11	PC-PN CONVERSION KIT
29	23002333	11	PC TO PN CONVERSION (CSA)
29	23002334	11	MC TO MN CONVERS.(CSA)

MFR35MCATS SOAP BOX & TOP COVER





MFR35MCATS SOAP BOX & TOP COVER

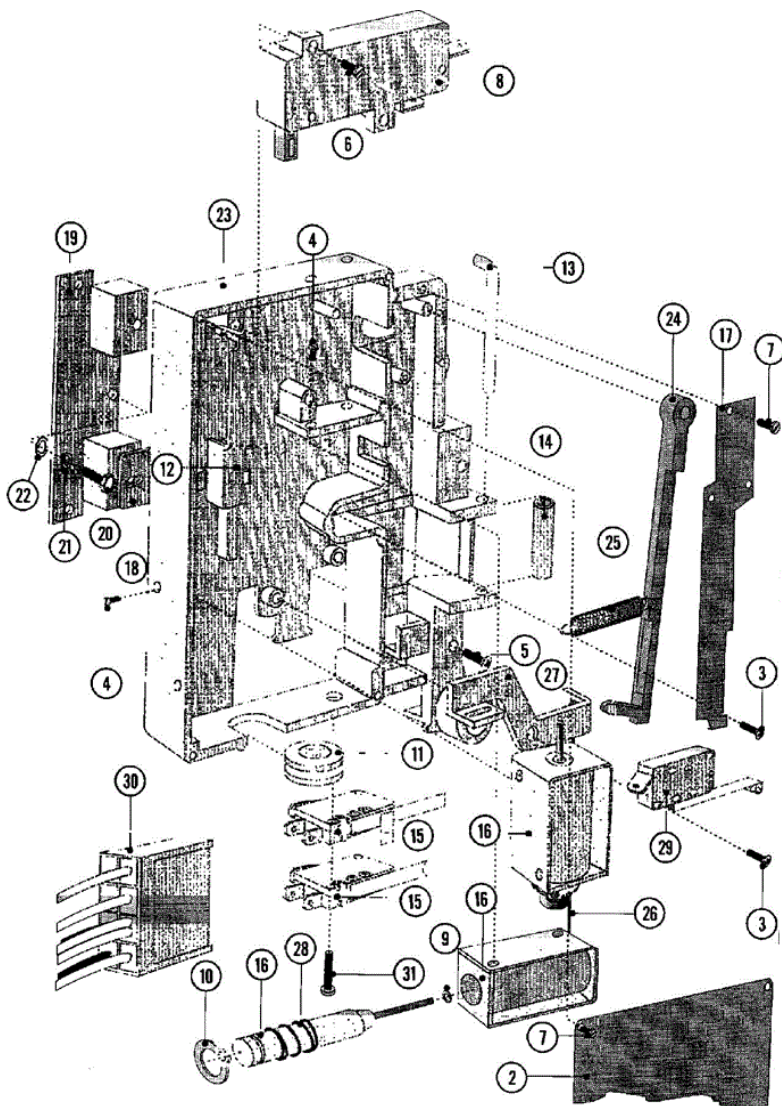
1	23002892	10	COVER, TOP
2	23001003	10	RUBBER COVER, SOAP BOX
3	23002893	10	LATH, RUBBER COVER SOAP BOX
4	23001005	10	RUBBER HOSE, SOAP BOX
5	23001006	10	LOCK, TOP PANEL
6	23001007	10	WASHER, FIBER
7	23001008	10	LOCK NUT (LARGE)
8	23001009	10	LOCK HOOK (SHORT)
9	23001011	10	NUT
10	23001012	10	SCREW (M4 X 12 STNLS STEEL)
11	23001636	10	WASHER
12	23002652	10	NUT (QTY OF 4 = 1 PIECE)
13	23001015	10	RUBBER SEAL, SOAP BOX
14	23001016	10	SOAP BOX HOUSING
15	23001017	10	SOAP BOX INSERT
16	23001018	10	SIPHON
17	23001019	10	TRAY
18	23001020	10	COVER, PLATE
19	23001021	10	DRAWER, PREWASH
20	23001022	10	DRAWER, MAIN WASH
21	23001023	10	DRAWER, LAST RINSE
22	23001024	10	SCREW
23	23001025	10	CLAMP, HOSE (DIA 90/110)
24	23002462	10	SCREW (M6 X 20) LU
25	23001027	10	WASHER (DIA. 12X6.5X1.6)
26	23002756	10	WASHER
27	23002894	10	SCREW (M5X15)
28	23001030	10	HINGE, TOP COVER
29	23001031	10	SHAFT, HINGE (10 X 56 BRASS)
30	23001032	10	CLAMP, SRV
31	23001033	10	RIVETS, BLIND (DIA. 3.2 X 8)LU
32	23002436	10	NUT (M6)

Distribuidor Autorizado

SurteRápido.com

Venta de Refacciones
Electrodomesticas

MFR35MCATS DOOR LOCK (SERIES 11)





MFR35MCATS DOOR LOCK (SERIES 11)

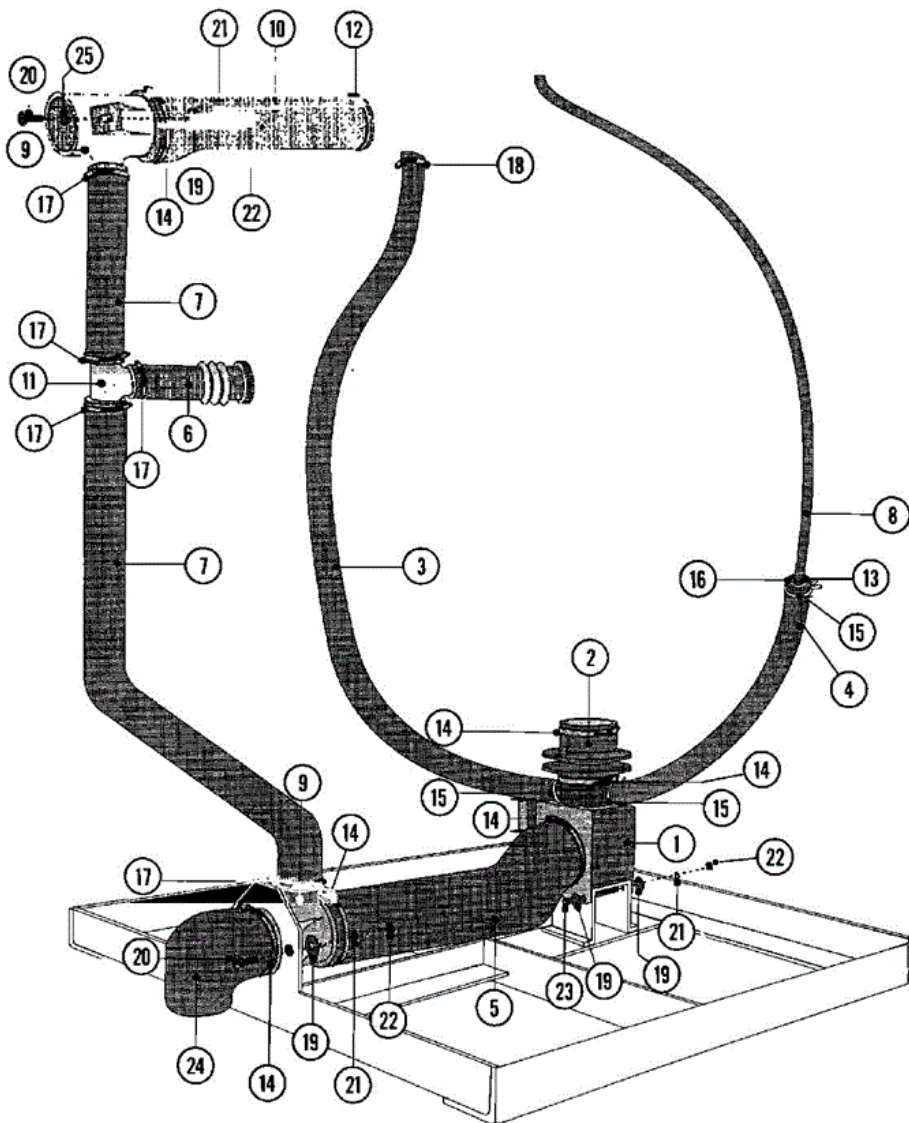
1	23003679	11	(COMPLETE)
1	NLA	11	LOCK, DOOR (COMPLETE)
2	23001130	11	PLATE, COVER (STNLS STEEL)
3	23001131	11	SCREW (M3 X 14 CROSS RECESSED)
4	23001132	11	SCREW (M3 X 4 CROSS RECESSED)
5	23001133	11	SCREW (M5 X 25 STAINLESS STEEL)
6	23001070	11	SCREW (M4X10)
7	23001134	11	BOLT (M3 X 6)
8	23001135	11	BIMETAL, ACTUATOR (230V)
9	23001136	11	WASHER (DIA. 5.1 X 3.3 X 0.1)
10	23001137	11	RING, RETAINING (G10)
11	23001138	11	BUSHING, CABLE PASSAGE
12	23001140	11	BAR, LOCKING
13	23001142	11	RETAINER, LOCK TUBE (DIA.4X45)
14	23001143	11	LOCK TUBE (DIA. 4X23.5 STNLS)
15	23001144	11	MICROSWITCH, SHORT LEVER
16	23001146	11	COIL (240V)
16	23001147	11	COIL (120V)
17	23001149	11	LEAF SPRING, LATCH BAR
18	23001155	11	SHIM
19	23001156	11	SPACER, LOCK
20	23002353	11	SCREW (M6X12)
21	23002130	11	WASHER (6)
22	23001159	11	WASHER (DIA. 14X8.6X1 STNLS)LU
23	Y23002898	11	GROUND, PLATE LOCK
24	23002899	11	HANDLE, LOCKING PART
25	23002900	11	SPRING, LOCKING PART
26	23002901	11	CORD, OPENING
28	23002903	11	SPRING, LOCKING PART
29	23002337	11	MICROSWITCH W/ROLLER ARM
30	23002904	11	WIRING, DOOR LOCK
30	23002905	11	WIRING, DOOR LOCK
31	23002906	11	SCREW (M3X25)

Distribuidor Autorizado

SurteRápido.com

Venta de Refacciones
Electrodomesticas

MFR35MCATS DRAIN & HOSE (SERIES 11)

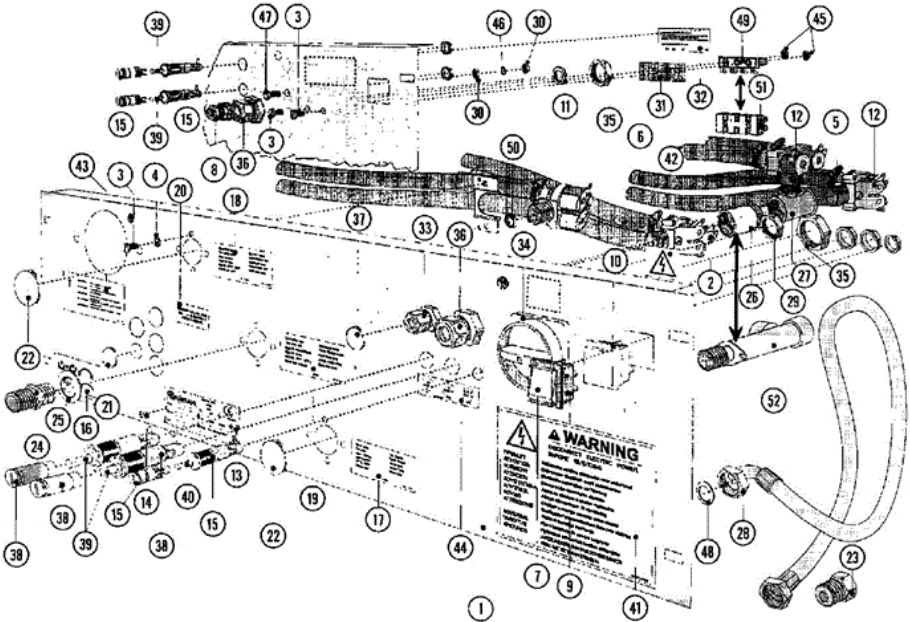




MFR35MCATS DRAIN & HOSE (SERIES 11)

1	23001244	11	VALVE, DRAIN (240V-50/60HZ)
2	23002907	11	TUB, OUTLET VALVE HOSE
3	23001246	11	HOSE, BOTTOM FILL
4	23001247	11	HOSE, AIR DOME (30 CM)
5	23001249	11	HOSE, DRAIN
6	23001250	11	HOSE, AIR VENT
7	23001251	11	HOSE, OVERFLOW
8	23001252	11	HOSE, WATER LEVEL SWITCH
9	23001253	11	DRAIN TEE
10	23001254	11	AIR VENT HOSE, SOAP BOX
11	23001255	11	TEE, OVERFLOW HOSE
12	23001256	11	CLAMP, HOSE (60-80)
13	23001257	11	CLAMP, CORBIN (A5.5)
14	23001258	11	CLAMP, HOSE (70-90)
15	23001259	11	CLAMP, CORBIN (A17.5)
16	23001260	11	BUSHING, AIR DOME HOSE
17	23001261	11	CLAMP, HOSE (32-50)
18	23001262	11	CLAMP, HOSE (20-32)
19	23002437	11	WASHER M8
20	23002475	11	BOLT (M8X20)
21	23002358	11	WASHER M8
22	23002435	11	NUT (M8)
23	23002908	11	SCREW (M8X120)
24	23002822	11	ELBOW, 90 DEGREE
25	23002653	11	WASHER (8/6)

MFR35MCATS WATER VALVE & REAR PANEL (SERIES 11)



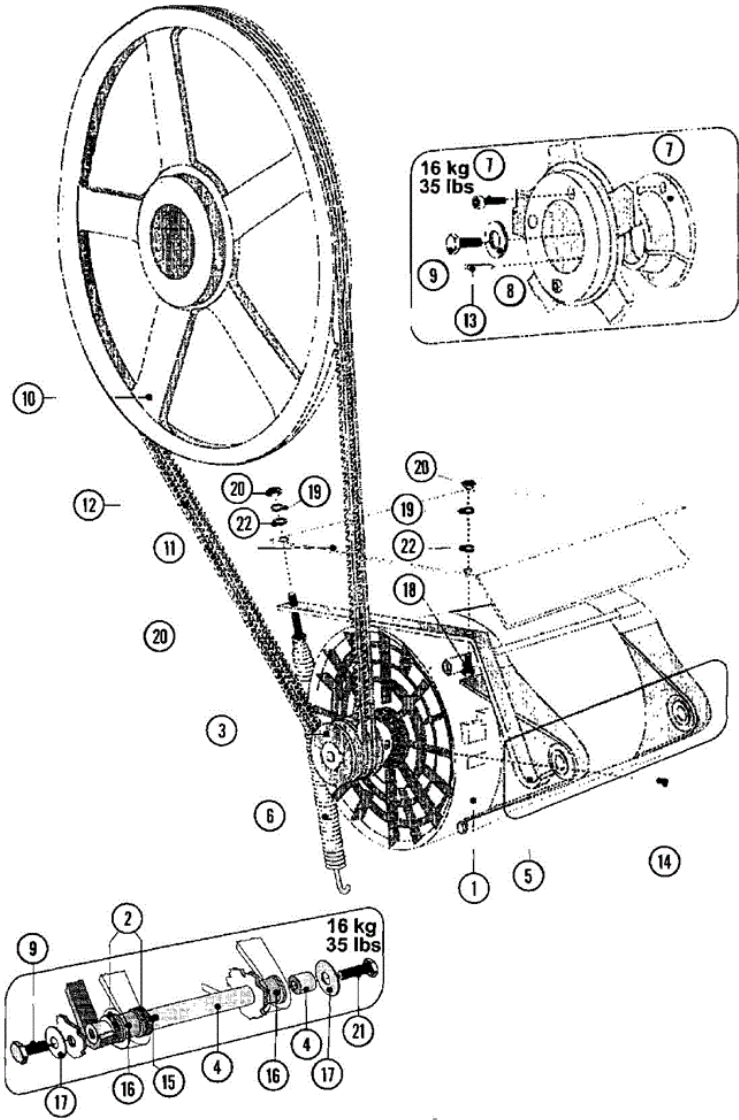


MFR35MCATS WATER VALVE & REAR PANEL (SERIES 11)

1	23002909	11	BRIDGE, REAR
2	23001533	11	VALVE, THREE-WAY
3	23002423	11	SCREW (M4 X 10)
4	23002111	11	WASHER (4)
5	23001506	11	CLAMP, HOSE
6	23001507	11	WATERHOSE (GREEN)
7	23001532	11	COVER, BUTTON (PLASTIC)
8	23001453	11	NUT, SWIVEL (PG9)
9	23001529	11	BUTTON (RAPID ADVANCE)
10	23001452	11	PLUG (WHT)
11	23001450	11	SWIVEL (PG9)
12	23001455	11	VALVE, TWO WAY (220V 50/60HZ)
13			PLATE, IDENTIFICATION
14	23001461	11	RIVETS, BLIND
15	23001462	11	HOLDER, FUSE
16	23001468	11	STICKER, SPIN DIRECTION
17	NLA	11	PLATE, INDEX (HOT WATER)
18	NLA	11	PLATE, INDEX (COLD HARD WATER)
19	NLA	11	PLATE, INDEX (COLD SOFT WATER)
20	23001509	11	STICKER, PIPE THREAD
21	NLA	11	PLUG (13)
22	23001476	11	PLUG, WATER INLET
23	23001477	11	ADAPTER (3/4`` PIPE TO 3/4`` HOS)
24	23001482	11	NIPPLE (3/4`` PIPE THREAD)
25	23001483	11	WASHER (DIA. 40 X 6.5 X 3)
26	23001484	11	EXTENSION, BRASS PIPE THREAD
27	23001485	11	TEE, 3/4`` PIPE THREAD (BRASS)
28	23001523	11	HOSE, CONNECTION
29	23002197	11	NUT
30	23001312	11	NUT M6
31	23001115	11	INSULATION PAPER
32	NLA	11	LABEL, TERMINAL
33	23002196	11	SWIVEL, CABLE

34	23001731	11	SWITCH, MAIN (63A)
34	23002914	11	SWITCH, MAIN (20A)
34	23002915	11	SWITCH, MAIN (32A)
34	23002916	11	SWITCH, MAIN (80A)
35	23002212	11	NUT
36	NLA	11	SWIVEL
37	23002243	11	PLUG, UNIVERSAL
38	23002210	11	HOLDER, FUSE
39	23001508	11	FUSE (1A)
39	23002918	11	FUSE (1A)
40	23002919	11	FUSE (5A)
41	23001465	11	STICKER, ELECTRICITY WARNING
42	23002920	11	PLATE, INDEX (FLASH)
43	23002053	11	LABEL, WARNING VENT OUT
44	NLA	11	STICKER (1A)
45	23001055	11	NUT (M4)
46	23001158	11	WASHER M6
47	23002778	11	SCREW (M4 X 12)
48	23002921	11	WASHER, FILL HOSE
49	23001113	11	CONNECTOR HOUSING (4 POLE)
50	23002922	11	FILTER
51	23002923	11	BOARD, TERMINAL
52	23002924	11	T-PART (3/4)

**MFR35MCATS MOTOR & BASKET
 PULLEY (SERIES 11)**





MFR35MCATS MOTOR & BASKET PULLEY (SERIES 11)

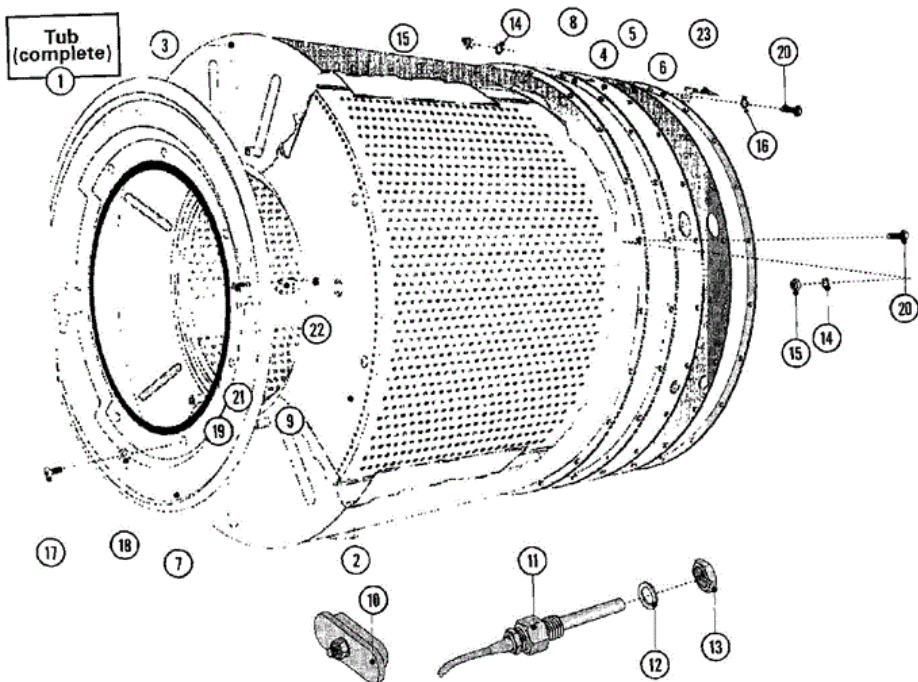
1	24001017	10	BEARING, 6205-2RS
1	23001269	11	MOTOR (SINGLE PHASE-240/208V)
1	23001270	11	MOTOR (THREE PHASE-240V/208V)
1	23002317	11	SWITCH, CENTRIFUGAL
2	23002925	11	SHAFT, SLIDING RING MOTOR
3	23001273	11	V-PULLEY (DIA. 53 X PZ 60HZ)
4	23002926	11	SHAFT, MOTOR
4	23002927	11	SHAFT, EXTENSION MOTOR (MONO)
5	23001278	11	BELT TENSIONER (SINGLE PHASE)
6	23001279	11	BELT, TENSION SPRING
7	23001280	11	BUSHING, TAPERED (W/KEY SLOT)
7	23002336	11	BOLT, SOCKET HD (M12 X 50)
8	23001282	11	WASHER (DIA. 37 X 13 X 3)
9	23002661	11	SCREW (M12X35)
10	23001284	11	BASKET PULLEY (DIA. 450)
11	23002928	11	MOTOR, PROTECTION SHIELD
12	23001287	11	V-BELT (XPZ X 1950)
13	23001288	11	BASKET PULLEY KEY (10 X 8X 60)
14	23002929	11	SCREW, SOCKET SET (M8X10)
15	23002930	11	SCREW, SOCKET SET (M6X6)
16	23001291	11	BUSHING, RUBBER MOTOR MOUNT
17	23002657	11	WASHER (13)
18	23002475	11	SCREW (M8 X 20)
19	23002932	11	SPRING, LOCK WASHER
20	23002399	11	NUT(M4)
21	23002846	11	SCREW (M12 X 70)
22	23002653	11	WASHER (8/6)

Distribuidor Autorizado

SurteRápido.com

Venta de Refacciones
Electrodomesticas

MFR35MCATS BASKET & OUTER SHELL (SERIES 11)

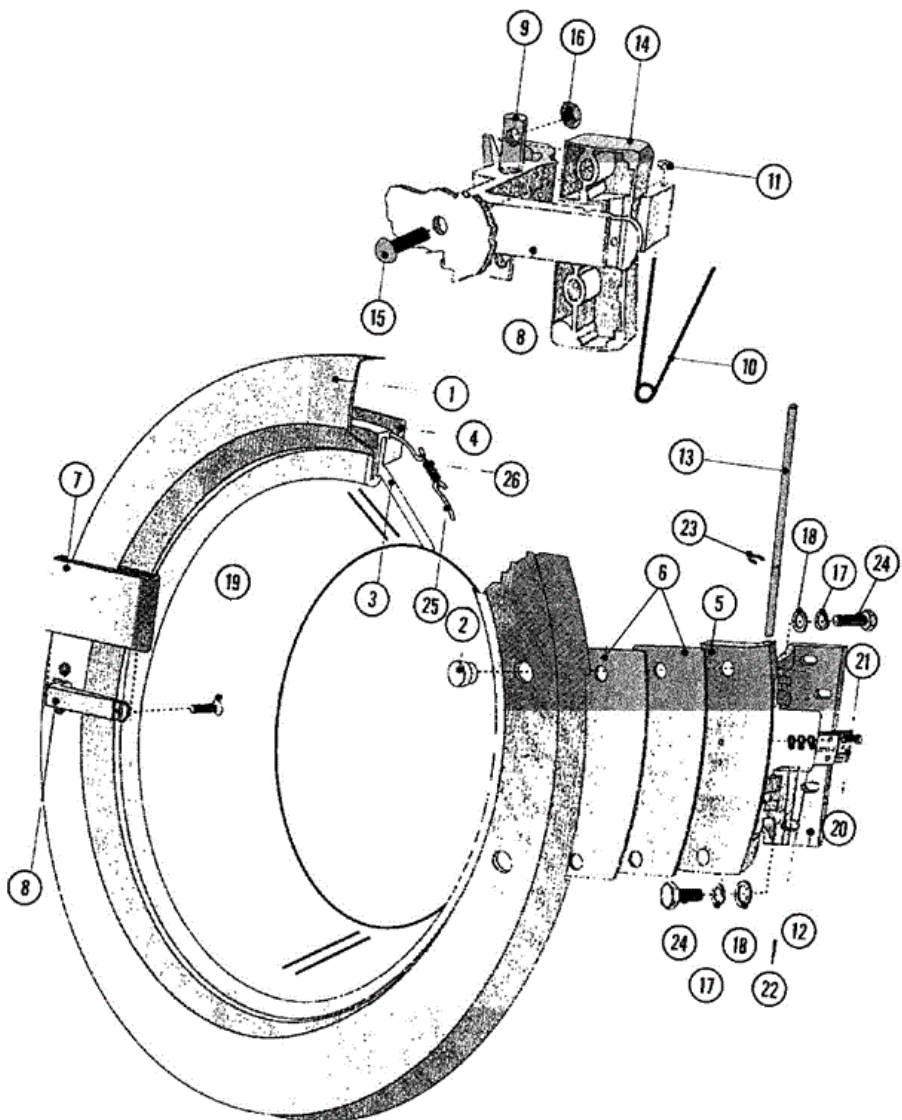




MFR35MCATS BASKET & OUTER SHELL (SERIES 11)

1	NLA	11	TUB (COMPLETE)
2	23003817	11	DRUM AND SHAFT MFR 35 LU
3	23002934	11	TUB
4	23001193	11	BACKPLATE (STNLS STEEL)
4	23002178	11	PLATE, BASE
5	23001195	11	BACKPLATE (IRON)
6	23002935	11	RING
7	23001198	11	SHIELD
8	23001199	11	GASKET, REAR SHELL (24 HOLES)
9	23001200	11	HINGE, MIRCO SWITCH
10	23001594	11	BLIND, HEATING ELEMENT
11	23001592	11	ADAPTOR
12	23002179	11	WASHER
13	23002936	11	NUT, SENSOR BUSHING
14	23002358	11	WASHER M8
15	23001607	11	NUT (M8)
16	23001203	11	WASHER (DIA. 16 X 8.4 X 1.6)
17	23002617	11	SCREW (M4X8)
18	23001204	11	WASHER, FINISHING (DIA. 5)
19	23001088	11	RUBBER TRIM
20	23002847	11	SCREW (M8X45)
21	23001089	11	SCREW (M4 X 16 CK)
22	23001055	11	NUT (M4)
23	23001206	11	BRACKET, MOTOR HARNESS

MFR35MCATS DOOR (SERIES 11)





MFR35MCATS DOOR (SERIES 11)

1	23001161	11	RING, DOOR
2	23001162	11	NUT, ORNAMENTAL (STNLS STEEL)
3	23001163	11	GLASS, DOOR
4	23001164	11	GASKET, DOOR GLASS
5	23001165	11	PLATE, HINGE
6	23001166	11	SHIM, HINGE PLATE
7	23001510	11	HANDLE, DOOR
7	12001889	14	KIT, DOOR HANDLE ASSY HANDLE FRONT
8	NLA	11	LEVER, HANDLE
8	23003634	14	LEVER, DOOR
9	23001168	11	SHAFT, LEVER
10	23001169	11	SPRING, HANDLE LEVER
11	23001057	11	SPEEDNUT (M3)
12	23001171	11	BASE, HINGE
13	23001172	11	SHAFT, DOOR HINGE
14	23001173	11	HANDLE, LEVER PLATE
15	23002937	11	SCREW (M6X26)
16	23002280	11	NUT M6
16	23001176	14	NUT (M6 STAINLESS STEEL)
17	23001159	11	WASHER (DIA. 14X8.6X1 STNLS)LU
17	23002130	11	WASHER (6)
18	23001643	11	WASHER (M6)
19	23002617	11	SCREW (M4X8)
19	23001621	14	SCREW (M4X12) LU
20	23001178	11	MICROSWITCH, ACTIVATING PLATE
21	23001781	11	BOLT (M4X10)
22	23001708	11	WASHER (5.3)
23	23001181	11	RETAINING RING (DIA. 8)
24	23002279	11	BOLT (M6X20)
25	23001185	11	DOORSEAL, TENSION RING
26	23001186	11	DOORSRING, TENSION SPRING

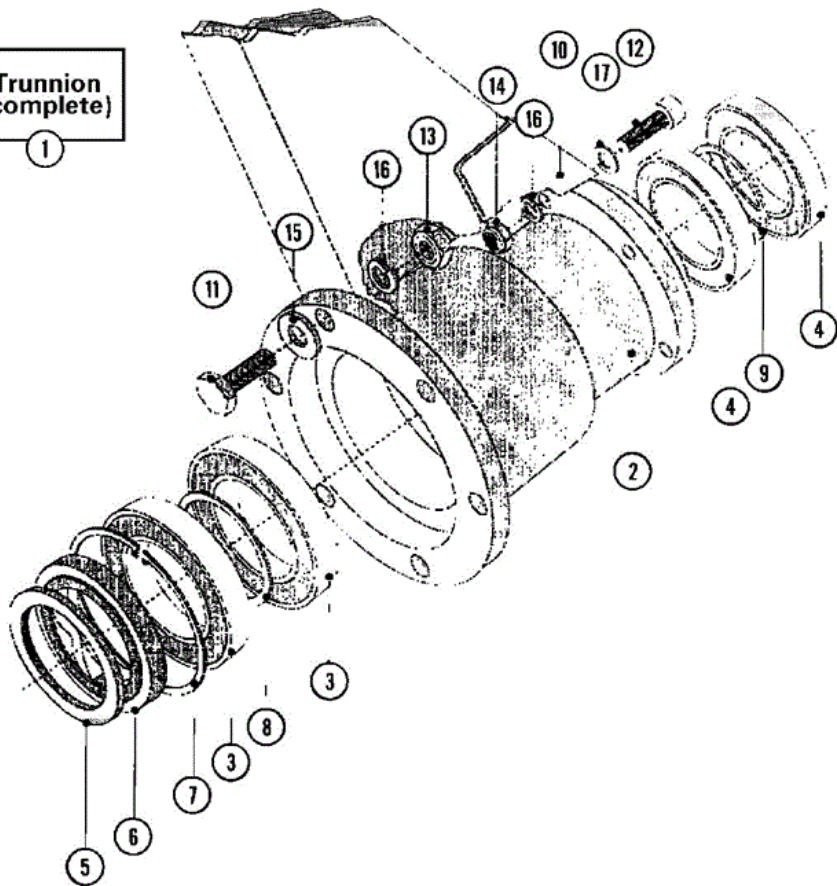
Distribuidor Autorizado

SurteRápido.com

Venta de Refacciones
Electrodomesticas

MFR35MCATS BEARINGS & TRUNNION (SERIES 11)

**Trunnion
(complete)**





MFR35MCATS BEARINGS & TRUNNION (SERIES 11)

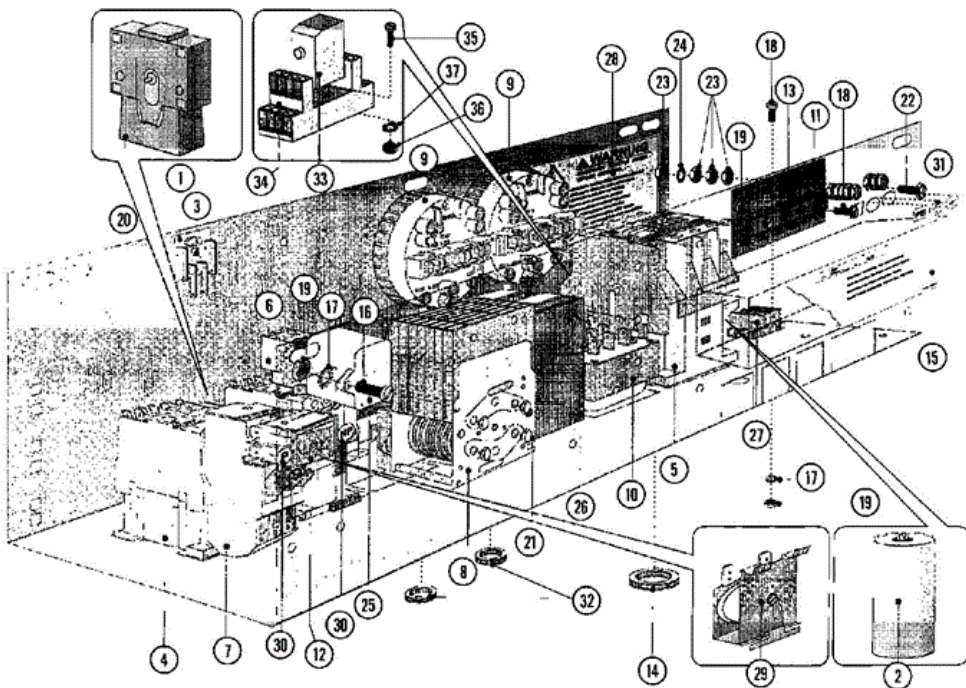
1	23002938	11	TRUNNION (35LBS) ITEMS 2,3,4, & 7
2	23001230	11	TRUNNION (CASTING ONLY)
3	23001231	11	BEARING (6209 2RS C3)
4	23001232	11	BEARING (REAR)
5	23001233	11	RING, SEAL
6	23001234	11	SEAL, WATER
7	23001235	11	RING, INTERNAL SNAP
8	23001236	11	SPACER RING (FRONT BEARING)
9	23001237	11	SPACER RING (REAR BEARING)
10	23002939	11	SPOKE (COMPLETE)
11	23002940	11	SCREW (M10X35)
12	23002941	11	SCREW (M10X40)
13	23001661	11	NUT M10
14	23002356	11	NUT M10
15	23001201	11	WASHER (DIA. 22X11X1 BRASS)
16	23001400	11	LOCK WASHER, SPRING
17	23002655	11	WASHER (10.5)

Distribuidor Autorizado

SurteRápido.com

Venta de Refacciones
Electrodomesticas

MFR35MCATS ELECTRICAL COMPONENTS (SERIES 11)





MFR35MCATS ELECTRICAL COMPONENTS (SERIES 11)

1	23001094	11	BRIDGE, RECTIFIER
2	23001096	11	CAPACITOR (60MF)
2	23001098	11	CAPACITOR (130MF)
3	23001099	11	PC BOARD SOCKET
4	23001100	11	CONTACTOR (LC1-D0901 M7) REVERSE
4	23001101	11	CONTACTOR (LC1-D1201 M7) SPIN
5	23001102	11	CONTACTOR (LC1-D1801 M7)
5	23001103	11	CONTACTOR (LC1-D3201 M7)
5	23001340	11	CONTACTOR (LC1-D4011)
6	23001104	11	AUXILIARY CONTACT (1NO-1NC)
7	23001105	11	RELAY, THERMAL OVERLOAD (9-13A)
7	23001106	11	RELAY, THERMAL OVERLOAD (4-6A)
7	23001108	11	RELAY, THERMAL OVERLOAD (7-10A)
7	23002101	11	RELAY, OVERLOAD (LR2-D1312)
8	23001110	11	TIMER, REVERSING (PR1840)
9	23001111	11	SWITCH, WATER LEVEL
9	23002176	11	SWITCH, WATER LEVEL
9	23001513	20	SWITCH, WATER LEVEL
10	23002460	11	THERMOSTAT (4 TEMP)
11	23002154	11	BOARD, TERMINAL (6 POLES)
12	23001114	11	ROCKER SWITCH, PREWASH/NO PREW
13	23001115	11	INSULATION PAPER
14	23001117	11	RING, RUBBER (DIA. 25)
15	23001118	11	STICKER, LIQUID SOAP
16	23002423	11	SCREW (M4 X 10)
17	23002111	11	WASHER (4)
18	23002398	11	SCREW (M4X16)
19	23002399	11	NUT(M4)
20	23001119	11	MECHANICAL INTERLOCK, CONTACTO
21	23002952	11	SCREW (M4X4)
22	23002806	11	SCREW (M6 X 25)
23	23001515	11	NUT (M6)
24	23001734	11	WASHER (M6)

25	NLA	11	MEMBER, RC
26	23002348	11	TRANSFORMER, CONTROL CIRCUIT
27	23002959	11	CONNECTOR
28	23001465	11	STICKER, ELECTRICITY WARNING
29	23002955	11	BUZZER
30	NLA	11	STICKER
31	NLA	11	LABEL, EARTH
32	23001138	11	BUSHING, CABLE PASSAGE
33	23002956	11	SCHRACH, RELAY
34	23002957	11	BASE, RELAY
35	23002906	11	SCREW (M3X25)
36	23002958	11	NUT M3
37	23002865	11	LOCK WASHER M3