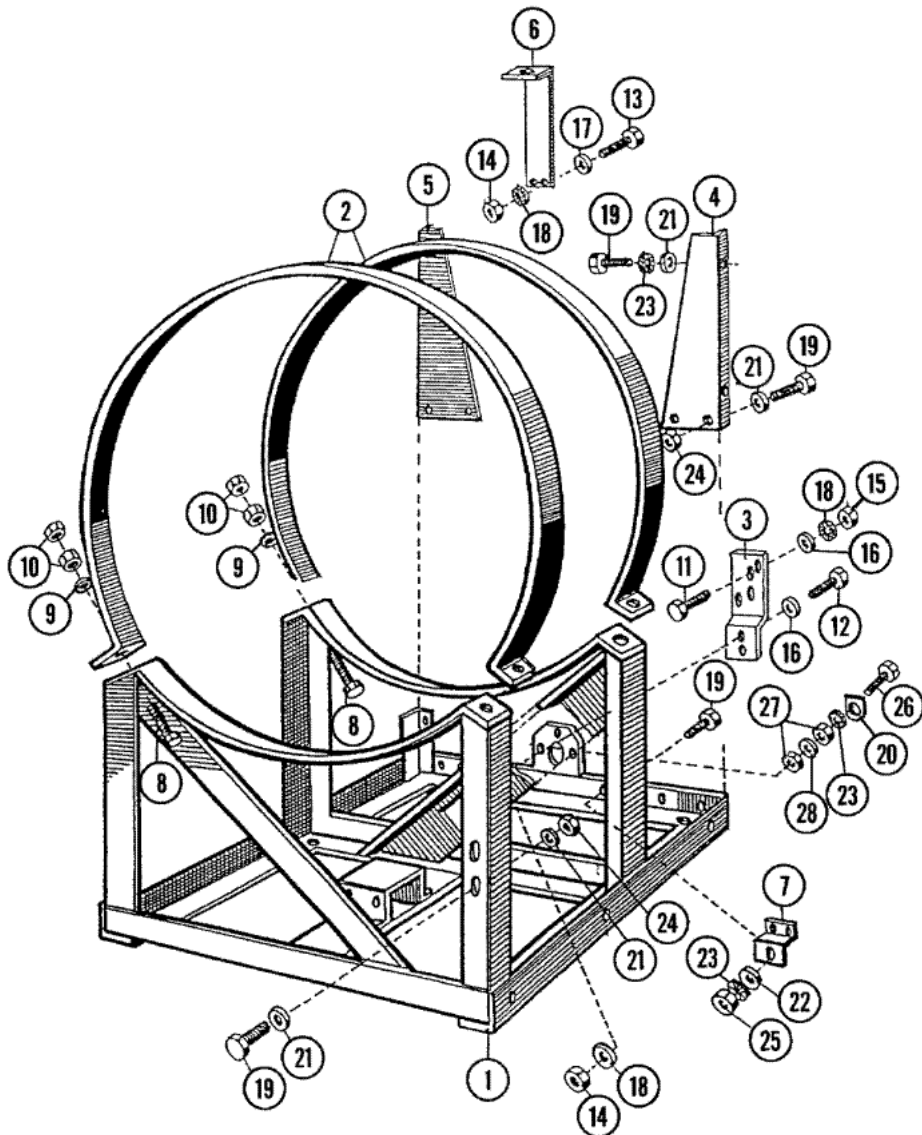


Distribuidor Autorizado

SurteRápido.com

Venta de Refacciones
Electrodomesticas

MFR50MNAVS BASE FRAME





MFR50MNAVS BASE FRAME

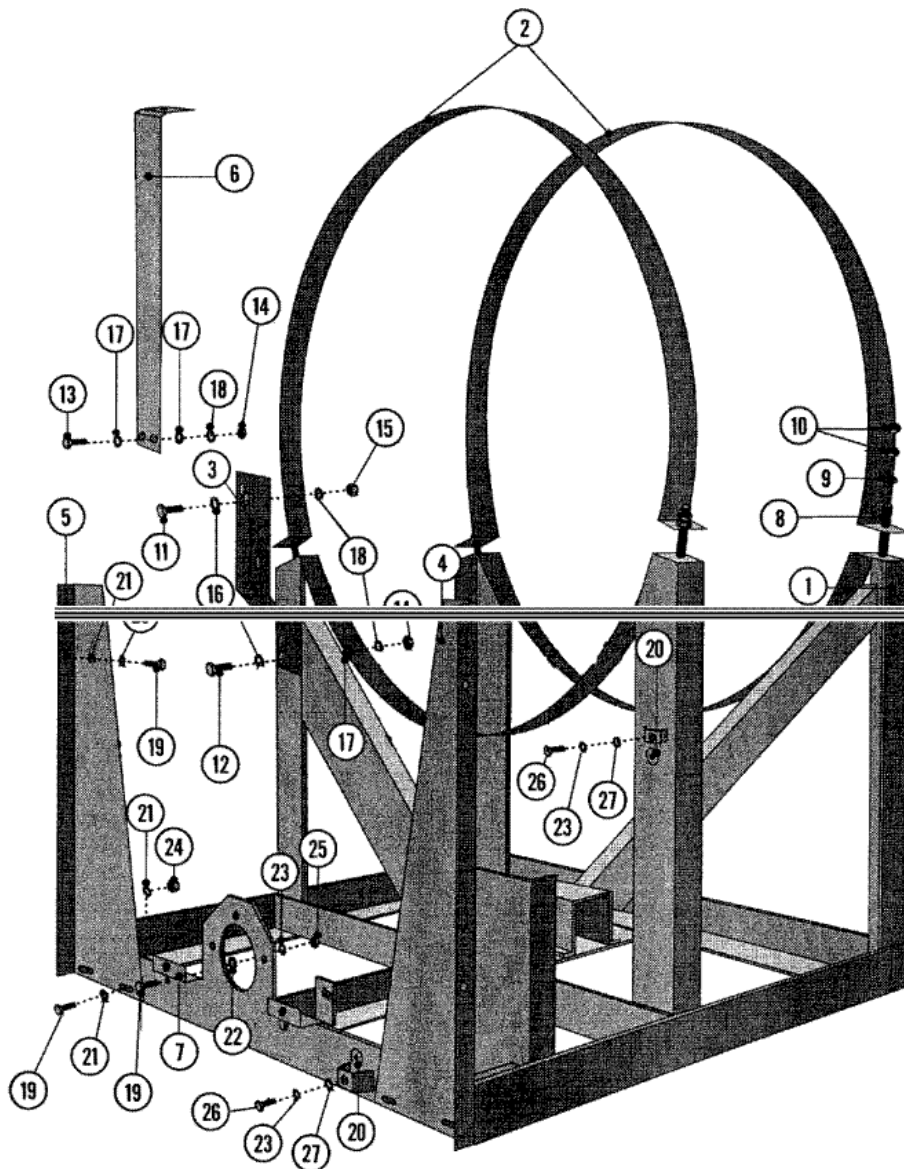
1	23001296	FRAME DESCONTINUADO
2	23001297	CLAMP, TUB DESCONTINUADO
3	23002841	BRACE, TUB SUPPORT DESCONTINUADO
4	23001299	PANEL, SUPPORT BRACKET (RT) DESCONTINUADO
5	23001300	PANEL, SUPPORT BRACKET (LT) DESCONTINUADO
6	23001302	BRACKET DESCONTINUADO
7	23001294	BOLT (M12 X 70) DESCONTINUADO
8	23001292	WASHER (13) DESCONTINUADO
9	23001303	NUT (M12) DESCONTINUADO
10	23001205	BOLT (M8 X 45) DESCONTINUADO
11	23003765	BOLT (M8 X 35) DESCONTINUADO
12	23001266	NUT (M8) DESCONTINUADO
13	23001306	LOCKING NUT, SELF DESCONTINUADO
14	23001263	WASHER (8.4) DESCONTINUADO
15	23001265	WASHER (8) DESCONTINUADO
16	23001307	BOLT (M6 X 20) (S/P)
17	23001308	GROUNDING HARDWARE DESCONTINUADO
18	23001309	WASHER (6.4) LU DESCONTINUADO
19	23001159	WASHER (DIA. 14X8.6X1 STNLS)LU DESCONTINUADO
20	23002756	LOCK WASHER DESCONTINUADO
21	23001310	NUT, SELF LOCKING (M6) DESCONTINUADO
22	23003773	NUT (M6) DESCONTINUADO
23	23002806	BOLT (M6 X 25) DESCONTINUADO
24	23001312	NUT (M6) DESCONTINUADO
25	23003767	WASHER (6.4) DESCONTINUADO

Distribuidor Autorizado

SurteRápido.com

Venta de Refacciones
Electrodomesticas

MFR50MNAVS BASE FRAME (SERIES 11)





MFR50MNAVS BASE FRAME (SERIES 11)

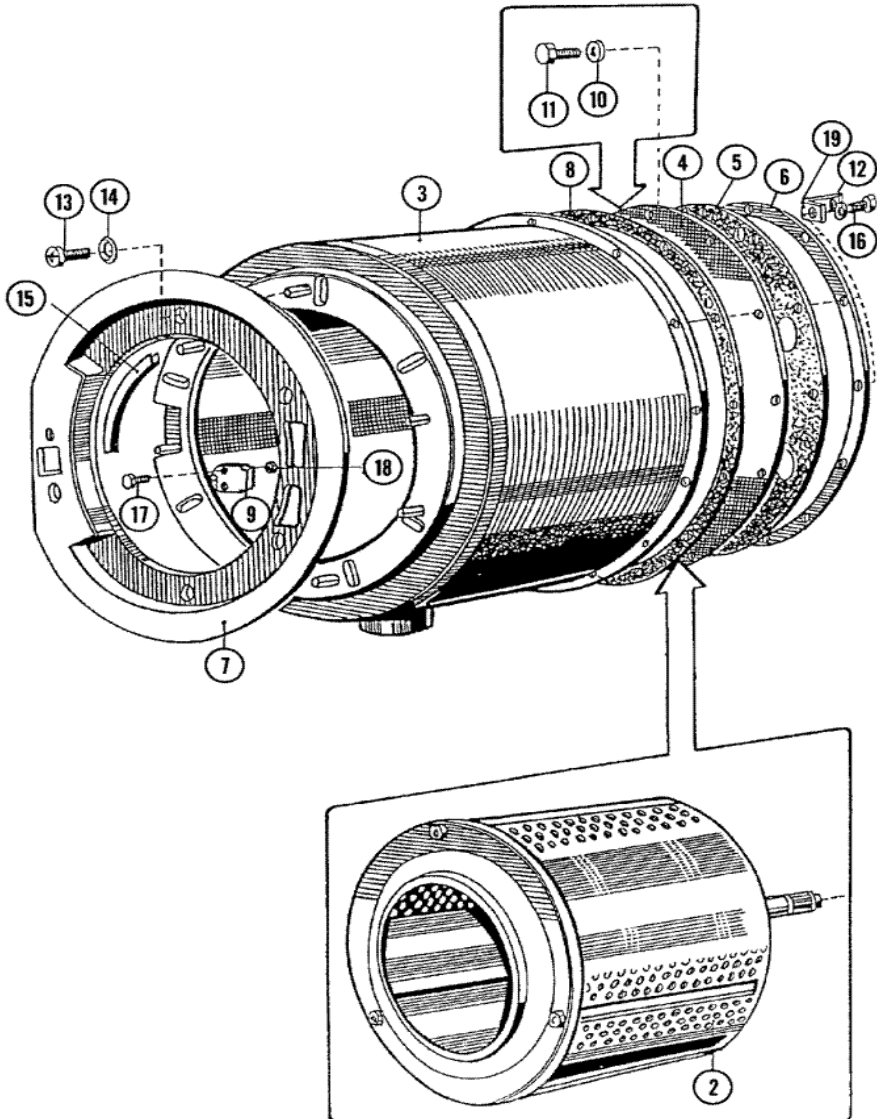
1	23002960	FRAME DESCONTINUADO
2	23001297	CLAMP, TUB DESCONTINUADO
3	23002841	BRACE, TUB SUPPORT DESCONTINUADO
4	23002842	BRACKET, SUPPORT (RT-SIDE) DESCONTINUADO
5	23002843	BRACKET, SUPPORT (LT-SIDE) DESCONTINUADO
6	23002844	HOLDER, STEAM TUBE DESCONTINUADO
7	23002845	CONNECTION, DESCONTINUADO
8	23002846	SCREW (M12X70) DESCONTINUADO
8	23002931	SCREW (M14X50) DESCONTINUADO
9	23002258	WASHER M14 DESCONTINUADO
9	23001292	WASHER (13) DESCONTINUADO
10	23003746	NUT, M14 DESCONTINUADO
10	23001599	NUT (M12) DESCONTINUADO
11	23002847	SCREW (M8X45) DESCONTINUADO
12	23003765	BOLT (M8 X 35) DESCONTINUADO
13	23002647	SCREW (M8 X 25) DESCONTINUADO
14	23001266	NUT (M8) DESCONTINUADO
15	23001607	NUT (M8) DESCONTINUADO
16	23001263	WASHER (8.4) DESCONTINUADO
17	23001203	WASHER (8/6) (S/P)
18	23001265	WASHER (M8) (S/P)
19	23002462	SCREW (M6 X 20) LU (S/P)
20	23002350	PLATE, INDEX (S/P)
21	23001309	WASHER (6.4) LU DESCONTINUADO
22	23001027	WASHER (6) DESCONTINUADO
23	23002425	WASHER (M6) DESCONTINUADO
24	23001310	NUT DESCONTINUADO
25	23003773	NUT (M6) DESCONTINUADO
26	23002353	SCREW (M6X12) DESCONTINUADO
27	23002424	WASHER (M6) DESCONTINUADO

Distribuidor Autorizado

SurteRápido.com

Venta de Refacciones
Electrodomesticas

MFR50MNAVS BASKET & OUTER SHELL ASSEMBLY





MFR50MNAVS BASKET & OUTER SHELL ASSEMBLY

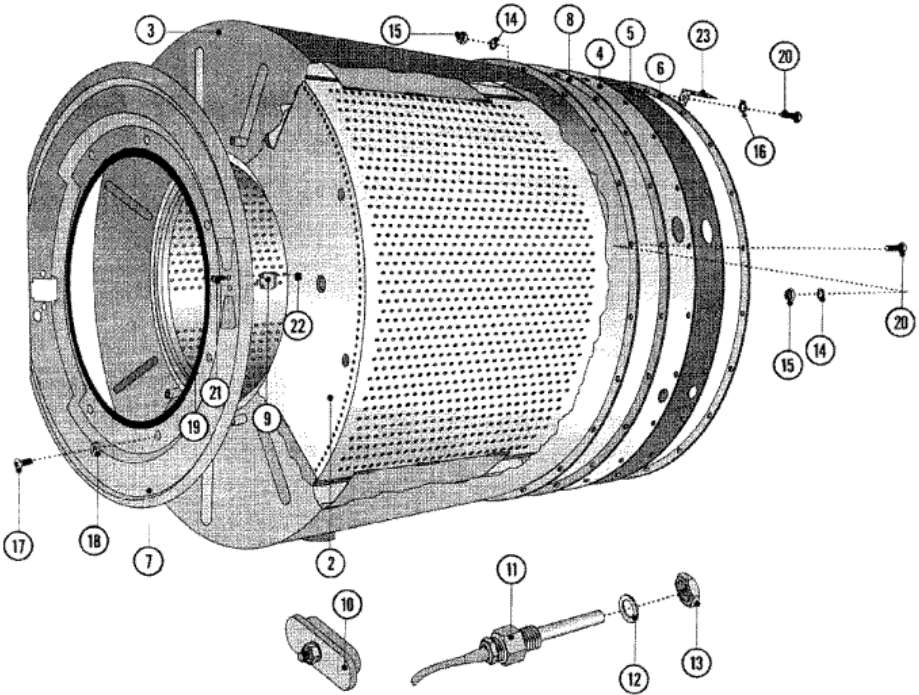
1	23001188	TUB (COMPLETE) (S/P)
2	23003818	DRUM & SHAFT DESCONTINUADO
3	23002971	OUTER SHELL DESCONTINUADO
4	23002180	PLATE, BASE (S/P)
5	23001196	BACKPLATE (IRON) DESCONTINUADO
5	23003981	BEARING HOUSING STUD 14MM DESCONTINUADO
7	23001198	SHIELD DESCONTINUADO
8	23001199	GASKET, REAR SHELL (24 HOLES) DESCONTINUADO
9	23001200	HINGE, MIRCO SWITCH DESCONTINUADO
10	23001201	WASHER (DIA. 22X11X1 BRASS) DESCONTINUADO
12	23001203	WASHER (DIA. 16 X 8.4 X 1.6) DESCONTINUADO
13	23001177	SCREW (M4 X 10) (S/P)
14	23001204	WASHER, FINISHING (DIA. 5) DESCONTINUADO
15	23002473	RUBBER TRIM DESCONTINUADO
16	23001205	BOLT (M8 X 45) DESCONTINUADO
17	23001089	SCREW (M4 X 16 CK) DESCONTINUADO
18	23001014	NUT (M4) DESCONTINUADO
19	23001206	BRACKET, MOTOR HARNESS DESCONTINUADO
20	23001592	ADAPTOR (S/P)
21	23002179	WASHER (S/P)
22	23001265	WASHER (8) DESCONTINUADO
23	23001306	LOCKING NUT, SELF DESCONTINUADO

Distribuidor Autorizado

SurteRápido.com

Venta de Refacciones
Electrodomesticas

MFR50MNAVS BASKET & OUTER SHELL ASSEMBLY (SERIES11)





MFR50MNAVS BASKET & OUTER SHELL ASSEMBLY (SERIES11)

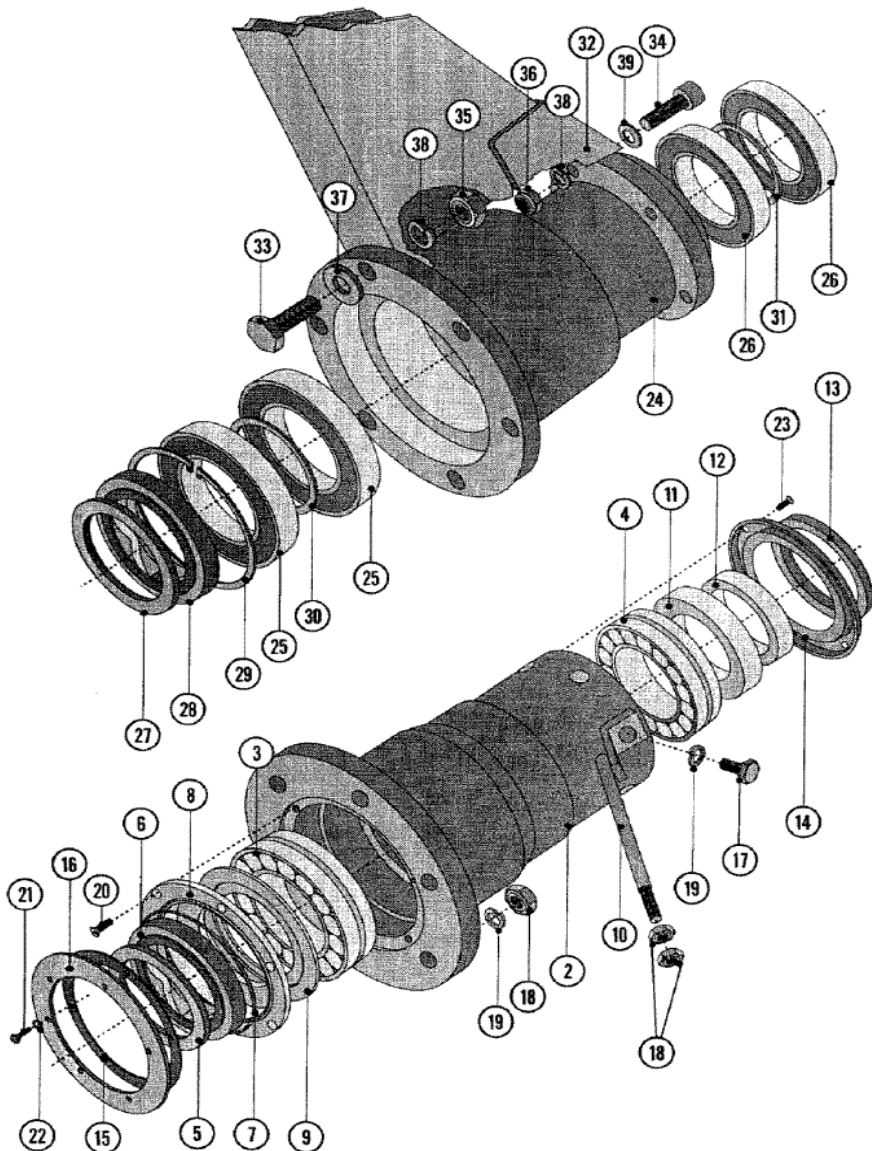
1	23001188	TUB (COMPLETE) (S/P)
2	23003818	DRUM AND SHAFT MFR 50 DESCONTINUADO
3	23002971	TUB DESCONTINUADO
4	23002180	PLATE, BASE (S/P)
4	23002178	PLATE, BASE DESCONTINUADO
5	23001196	BACKPLATE (IRON) DESCONTINUADO
5	23003981	BEARING HOUSING STUD 14MM DESCONTINUADO
7	23001198	SHIELD DESCONTINUADO
8	23001199	GASKET, REAR SHELL (24 HOLES) DESCONTINUADO
9	23001200	HINGE, MIRCO SWITCH DESCONTINUADO
10	23001594	BLIND, HEATING ELEMENT DESCONTINUADO
11	23001592	ADAPTOR (S/P)
12	23002179	WASHER (S/P)
13	23002936	NUT, SENSOR BUSHING (S/P)
14	23001265	WASHER (M8) (S/P)
15	23001607	NUT (M8) DESCONTINUADO
16	23001203	WASHER (DIA. 16 X 8.4 X 1.6) DESCONTINUADO
17	23002617	SCREW (M4X8) DESCONTINUADO
18	23001204	WASHER, FINISHING (DIA. 5) DESCONTINUADO
19	23002473	RUBBER TRIM DESCONTINUADO
20	23002847	SCREW (M8X45) DESCONTINUADO
21	23001089	SCREW (M4 X 16 CK) DESCONTINUADO
22	23001014	NUT (M4) DESCONTINUADO
23	23001206	BRACKET, MOTOR HARNES DESCONTINUADO

Distribuidor Autorizado

SurteRápido.com

Venta de Refacciones
Electrodomesticas

MFR50MNAVS BEARINGS & TRUNNION (SERIES 11)





MFR50MNAVS BEARINGS & TRUNNION (SERIES 11)

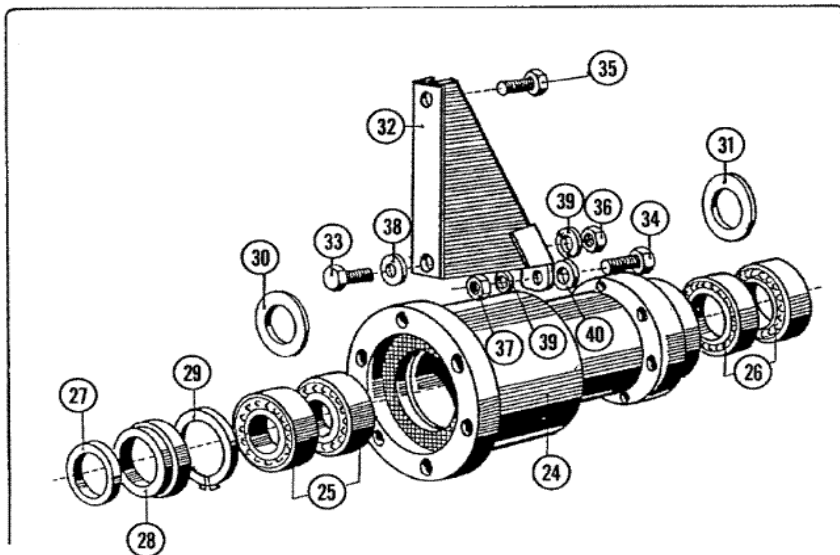
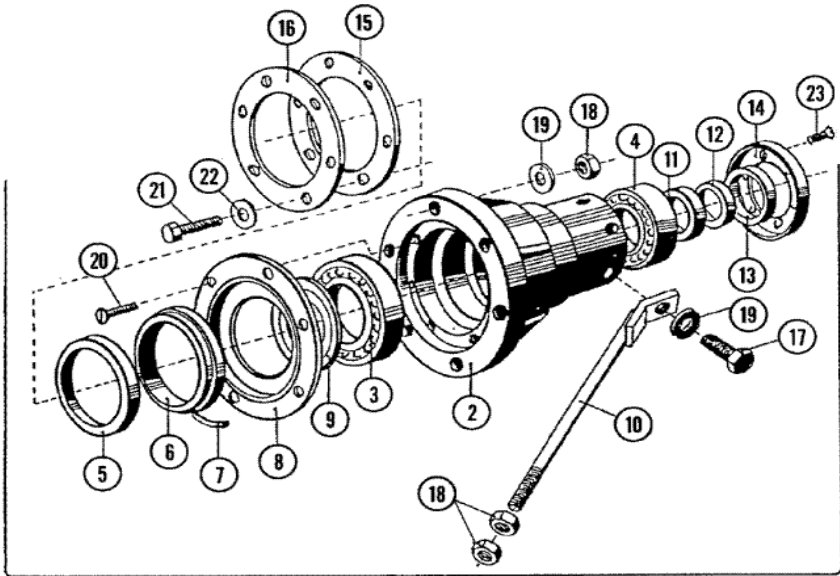
1	23002972	TRUNNION DESCONTINUADO
2	23003981	BEARING HOUSING STUD 14MM DESCONTINUADO
2	23001209	TRUNNION CASTING ONLY DESCONTINUADO
3	23001210	FRONT BEARING DESCONTINUADO
4	23001211	REAR BEARING DESCONTINUADO
5	23001212	SEAL RING DESCONTINUADO
6	23001213	WATER SEAL DESCONTINUADO
7	23001214	O-RING DESCONTINUADO
8	23001215	HOLDER, WATER SEAL DESCONTINUADO
9	23001216	SHEILD BEARING DESCONTINUADO
10	23002973	ROD, TENSION DESCONTINUADO
11	23002974	RING, DISTANCE (STNLS) DESCONTINUADO
12	23001219	BUSHING, BRASS DESCONTINUADO
13	23001220	SEAL, AXIAL DESCONTINUADO
14	23001221	SEAL, AXIAL HOLDER DESCONTINUADO
15	23001222	GASKET, RUBBER DESCONTINUADO
16	23001223	RING, CLAMP (STNLS STEEL) DESCONTINUADO
17	23002975	SCREW (M14X25) DESCONTINUADO
18	23002976	NUT (M4) DESCONTINUADO
19	23002792	WASHER (14) DESCONTINUADO
20	23001227	SCREW (M4 X 10 STNLS STEEL) DESCONTINUADO
21	23002353	SCREW (M6X12) DESCONTINUADO
22	23001228	RING, SEAL (DIA. 14 X 6.5 X 1) DESCONTINUADO
23	23002977	SCREW (M6X10PK) DESCONTINUADO

Distribuidor Autorizado

SurteRápido.com

Venta de Refacciones
Electrodomesticas

MFR50MNAVS BEARINGS & TRUNNION ASSEMBLY





MFR50MNAVS BEARINGS & TRUNNION ASSEMBLY

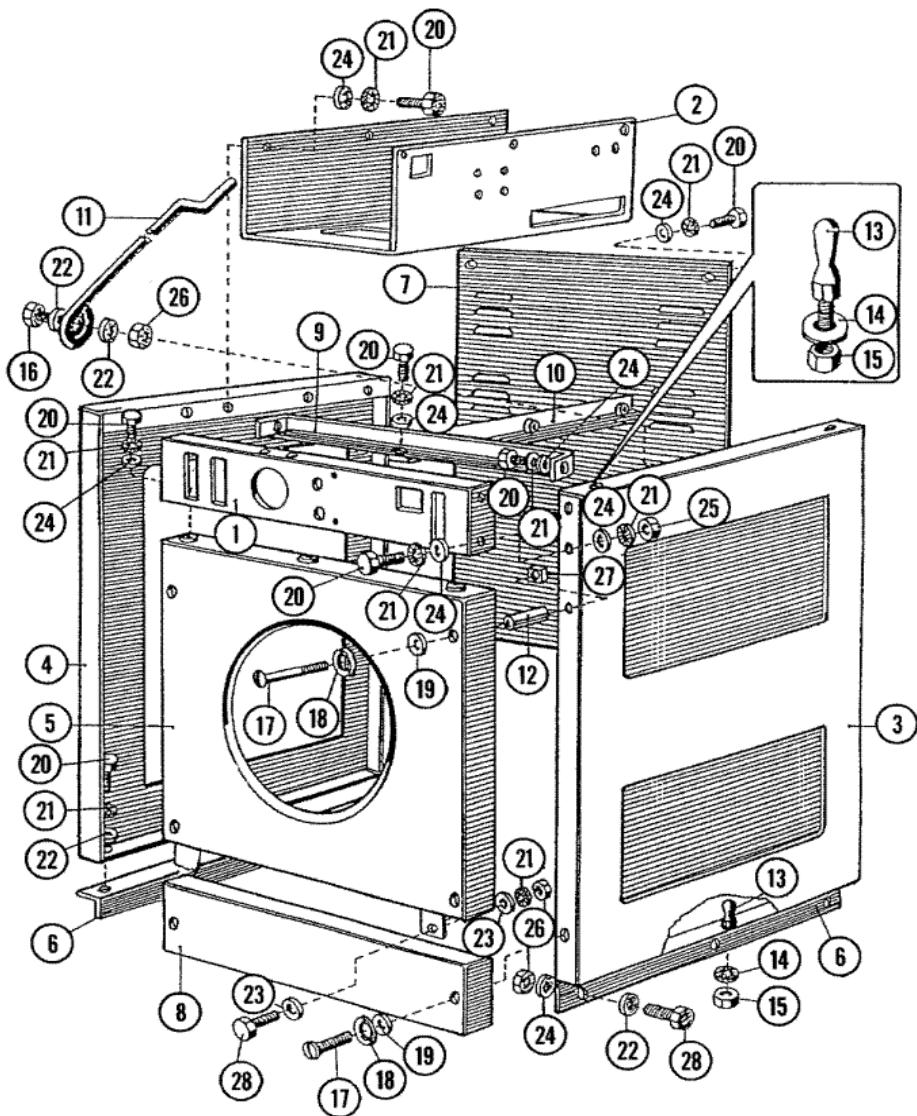
2	23003981	BEARING HOUSING STUD 14MM DESCONTINUADO
2	23001209	TRUNNION CASTING ONLY DESCONTINUADO
3	23001210	FRONT BEARING DESCONTINUADO
4	23001211	REAR BEARING DESCONTINUADO
5	23001212	SEAL RING DESCONTINUADO
6	23001213	WATER SEAL DESCONTINUADO
7	23001214	O-RING DESCONTINUADO
8	23001215	HOLDER, WATER SEAL DESCONTINUADO
9	23001216	SHEILD BEARING DESCONTINUADO
10	23002973	TENSION ROD DESCONTINUADO
11	23001218	RING, SPACER (STNLS STEEL) DESCONTINUADO
12	23001219	BUSHING, BRASS DESCONTINUADO
13	23001220	SEAL, AXIAL DESCONTINUADO
14	23001221	SEAL, AXIAL HOLDER DESCONTINUADO
15	23001222	GASKET, RUBBER DESCONTINUADO
16	23001223	RING, CLAMP (STNLS STEEL) DESCONTINUADO
17	23001224	BOLT (M14 X 25) DESCONTINUADO
18	23003746	NUT (M14) DESCONTINUADO
19	23001226	LOCK WASHER, SPRING (M14) DESCONTINUADO
20	23001227	SCREW (M4 X 10 STNLS STEEL) DESCONTINUADO
21	23001157	BOLT (M6 X 12 STAINLESS STEEL) DESCONTINUADO
22	23001228	RING, SEAL (DIA. 14 X 6.5 X 1) DESCONTINUADO
23	23001229	SCREW (M6 X 10 PK) DESCONTINUADO

Distribuidor Autorizado

SurteRápido.com

Venta de Refacciones
Electrodomesticas

MFR50MNAVS CABINET





MFR50MNAVS CABINET

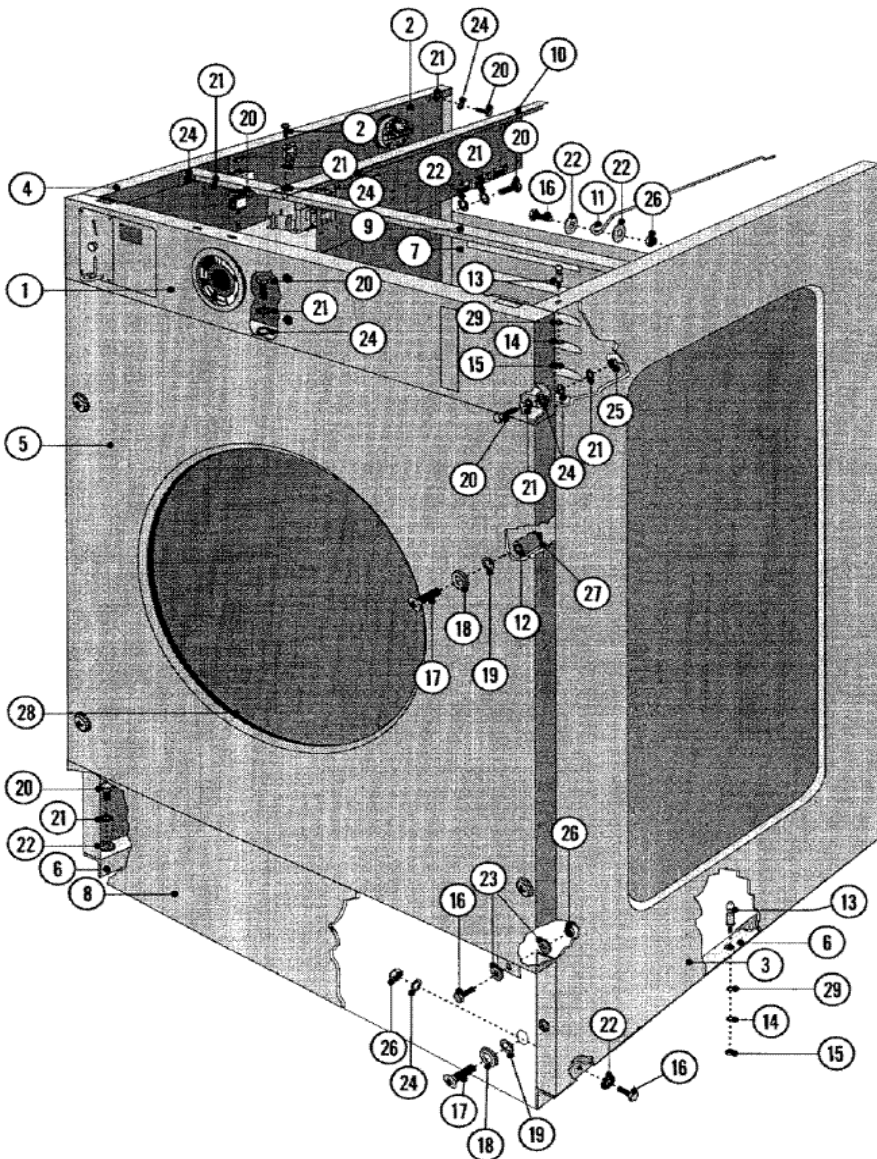
1	23001039	PLATE, BACK-UP (COIN METER) DESCONTINUADO
1	23002173	PANEL, CONTROL (S/P)
2	23001314	TRAY, ELEC. COMPONENTS DESCONTINUADO
3	23002962	PANEL, SIDE (RT) DESCONTINUADO
4	23001319	PANEL, SIDE (LT) DESCONTINUADO
5	23001320	PANEL, FRONT (SS)COIN DESCONTINUADO
6	23002964	PANEL, SUPPORT (LT) DESCONTINUADO
6	23001324	PANEL, SUPPORT (RT) DESCONTINUADO
7	23001325	PANEL (REAR) DESCONTINUADO
8	23001326	ACCESS PANEL (LWR) DESCONTINUADO
9	23001327	CROSS BEAM DESCONTINUADO
10	23001329	BRACE DESCONTINUADO
11	23001330	SUPPORT ROD, TOP PANEL DESCONTINUADO
12	23001331	SPACER, PANEL DESCONTINUADO
13	23001332	PIN, SRV DESCONTINUADO
14	23004485	LOCK WASHER (M5) LU DESCONTINUADO
15	23002452	NUT (M5) LU DESCONTINUADO
16	23002861	BOLT (M6 X 25) DESCONTINUADO
17	23001336	SCREW (M6 X 50) (S/P)
18	23002457	WASHER, FINISHING DESCONTINUADO
19	23002458	WASHER, FIBER (DIA. 15X7X3) DESCONTINUADO
20	23001026	BOLT (M6 X 16) DESCONTINUADO
21	23002756	LOCK WASHER DESCONTINUADO
22	23001309	WASHER (6.4) LU DESCONTINUADO
23	23001309	WASHER (6.4) LU DESCONTINUADO
24	23001027	WASHER (DIA. 12 X 6.5 X 1.6) DESCONTINUADO
25	23003773	NUT (M6) DESCONTINUADO
26	23001310	NUT, SELF LOCKING (M6) DESCONTINUADO
27	23002455	NUT, CAGE DESCONTINUADO
28	23001307	BOLT (M6 X 20) (S/P)
29	23002473	RUBBER TRIM DESCONTINUADO
30	23001548	BOX CONDENSATORS DESCONTINUADO

Distribuidor Autorizado

SurteRápido.com

Venta de Refacciones
Electrodomesticas

MFR50MNAVS CABINET (SERIES 11)





MFR50MNAVS CABINET (SERIES 11)

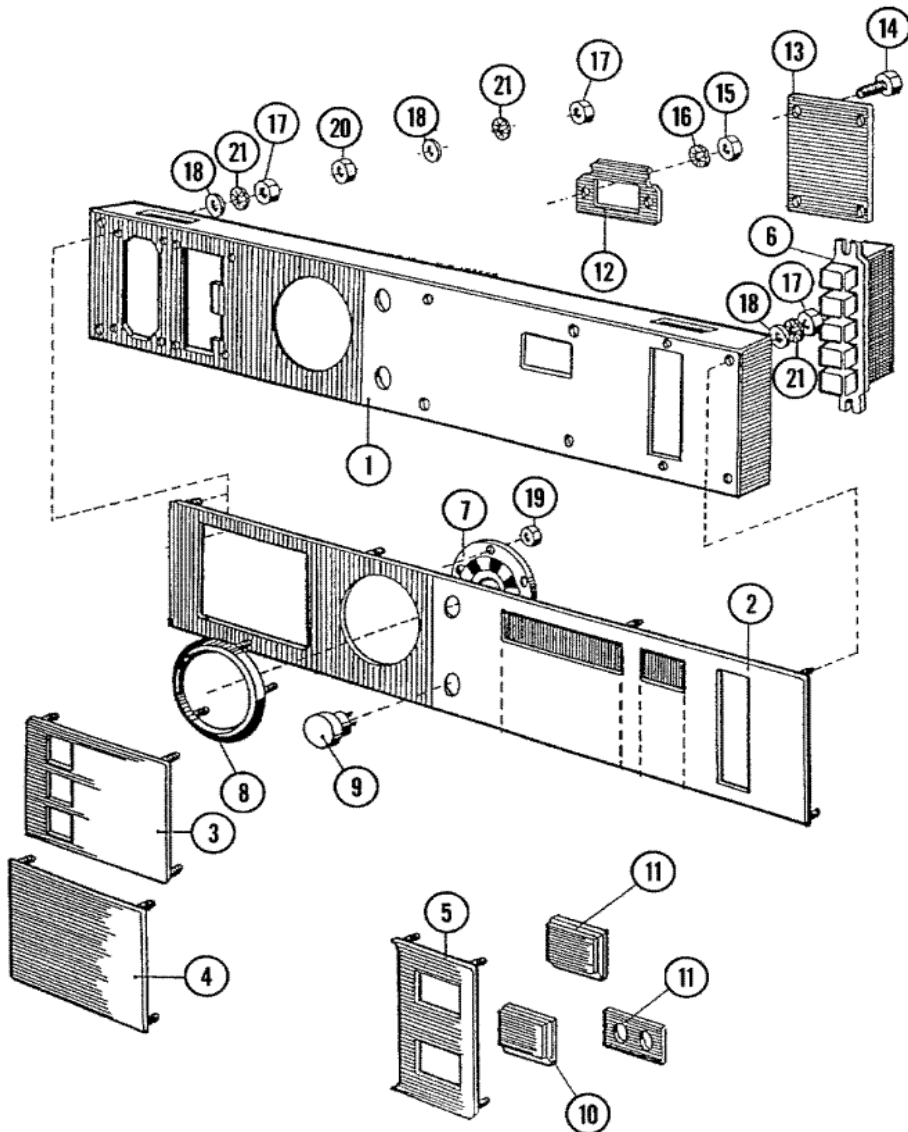
1	23002848	PANEL, CONTROL (PUSH BUTTON) DESCONTINUADO
2	23002850	COMPONENTS, BOX ELEC. DESCONTINUADO
2	23002961	HOLDER, CONDENSER (S/P)
3	23002962	PANEL, SIDE (RT) DESCONTINUADO
4	23002963	PANEL, SIDE (LT) DESCONTINUADO
5	23002853	PANEL, FRONT (SS)OPL DESCONTINUADO
5	23001320	PANEL, FRONT (SS)COIN DESCONTINUADO
6	23002964	SUPPORT, PANEL (LT) DESCONTINUADO
6	23002965	SUPPORT, PANEL (RT) DESCONTINUADO
7	23002856	PLATE, BACK DESCONTINUADO
8	23001326	PANEL, SERVICE (STAINLESS) DESCONTINUADO
9	23001327	BEAM, CROSS DESCONTINUADO
10	23001327	HOLDER, BOX DESCONTINUADO
11	23001330	SUPPORT ROD, TOP PANEL DESCONTINUADO
12	23002860	TUBE, DISTANCE DESCONTINUADO
13	23001332	PIN, SRV DESCONTINUADO
14	23004485	WASHER, LOCK DESCONTINUADO
15	23002452	NUT (M5) DESCONTINUADO
16	23002861	SCREW (M6X25) LU DESCONTINUADO
17	23002456	SCREW (M6 X 50) (S/P)
18	23002457	WASHER, FINISHING DESCONTINUADO
19	23002458	WASHER, FIBER (DIA. 15X7X3) DESCONTINUADO
20	23002354	SCREW (M6X16) (S/P)
21	23002756	WASHER DESCONTINUADO
22	23001309	WASHER (6.4) LU DESCONTINUADO
23	23001203	WASHER (DIA. 16 X 8.4 X 1.6) DESCONTINUADO
24	23001027	WASHER (6) DESCONTINUADO
25	23003773	NUT (M6) DESCONTINUADO
26	23001310	NUT DESCONTINUADO
27	23002455	NUT, CAGE DESCONTINUADO
28	23002473	RUBBER TRIM DESCONTINUADO
29	23002862	WASHER (5, 3) DESCONTINUADO

Distribuidor Autorizado

SurteRápido.com

Venta de Refacciones
Electrodomesticas

MFR50MNAVS CONTROL PANEL

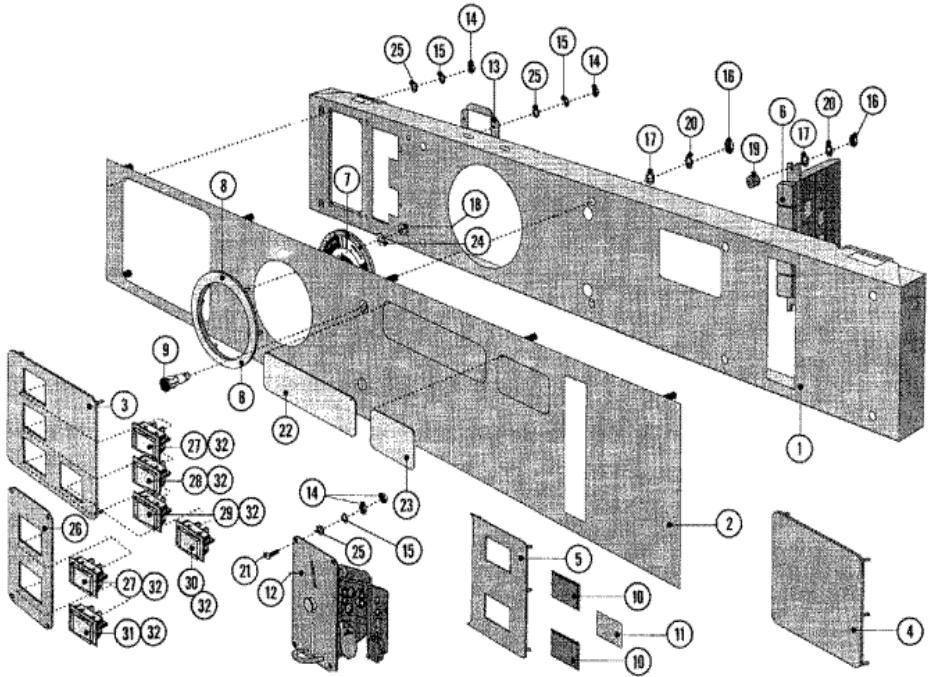




MFR50MNAVS CONTROL PANEL

1	23001039	PLATE, BACK-UP (COIN METER) DESCONTINUADO
2	23001495	PANEL, CONTROL DESCONTINUADO
3	23001528	PLATE, INSERT (THREE BUTTONS) (S/P)
3	23001530	BUTTON (START) DESCONTINUADO
3	23001531	BUTTON (ON/OFF) DESCONTINUADO
3	23001529	BUTTON (RAPID ADVANCE) DESCONTINUADO
3	23001451	WIRE HARNESS, MANUAL CONTROL (S/P)
3	23002329	MANUAL CONTROL ASSY. (COMP.) (S/P)
3	23001532	COVER, BUTTON (PLASTIC) DESCONTINUADO
4	23001042	SELECTOR SWITCH, PROGRAM DESCONTINUADO
5	23002494	INDICATOR DISC (ENGLISH) DESCONTINUADO
6	23001044	ORNAMENTAL RING INDICATOR DESCONTINUADO
7	23001046	LAMP, INDICATOR (S/P)
8	23001014	NUT (M4) DESCONTINUADO
9	23001056	WASHER (4.3) DESCONTINUADO
10	23002499	SPEEDNUT (M3) DESCONTINUADO
11	23001058	SPACER DESCONTINUADO
12	23001013	LOCK WASHER EXTERNAL DESCONTINUADO
13	23002325	WASHER DESCONTINUADO

MFR50MNAVS CONTROL PANEL (SERIES 11)





MFR50MNAVS CONTROL PANEL (SERIES 11)

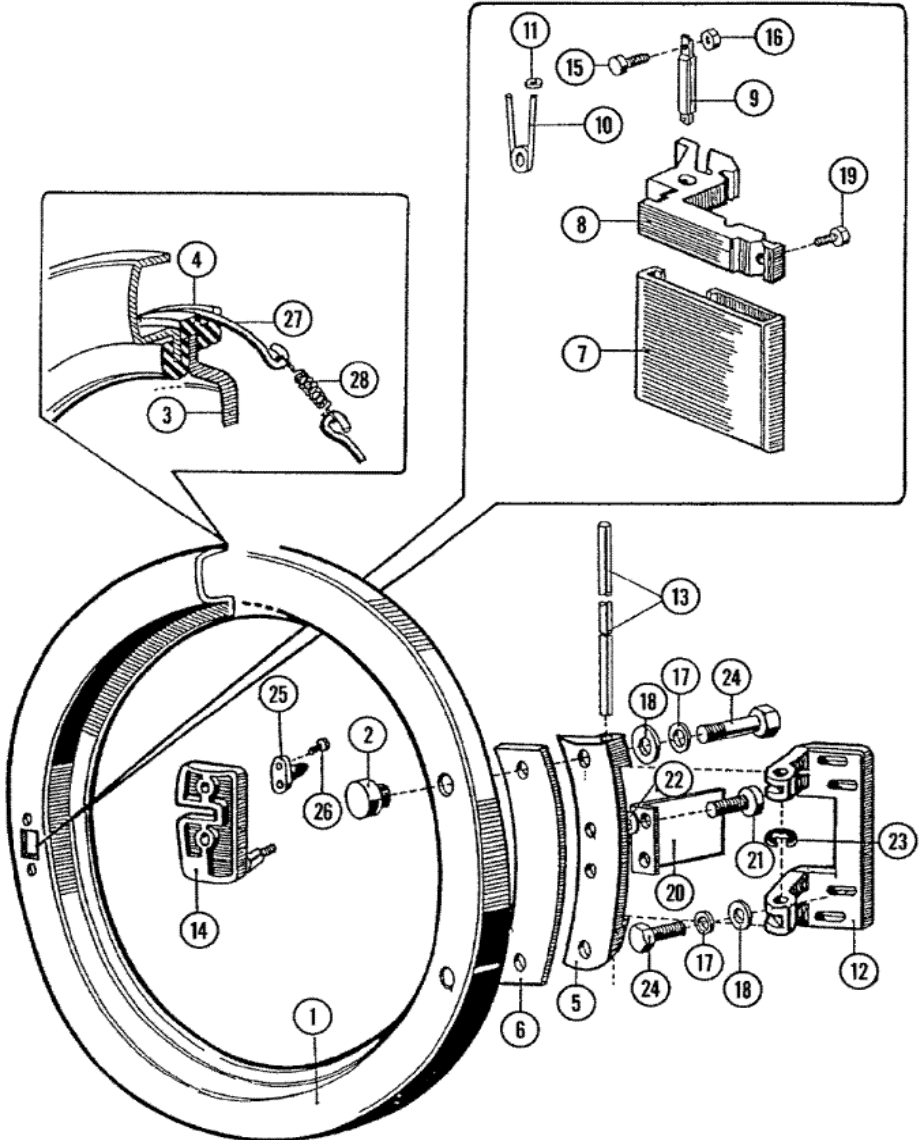
1	23001039	PLATE, BACK-UP (COIN METER) DESCONTINUADO
2	23001495	PANEL, CONTROL DESCONTINUADO
3	23001528	PLATE, INSERT (THREE BUTTONS) (S/P)
4	23001040	INSERT PLATE DESCONTINUADO
5	23002524	INSERT PLATE, COIN COUNTER DESCONTINUADO
6	23001042	SELECTOR SWITCH, PROGRAM DESCONTINUADO
7	23002495	DISK, INDICATOR (SYMBOLS) DESCONTINUADO
8	23001044	ORNAMENTAL RING INDICATOR DESCONTINUADO
9	23001046	LAMP, INDICATOR (S/P)
10	23002526	LENS, TRANSPARENT RED DESCONTINUADO
10	23002525	LENS DESCONTINUADO
10	23001048	ALUMINIUM (S/P)
12	23001063	COIN METER (25 CENTS-240V) DESCONTINUADO
13	23002864	PLATE, FIXATION (PLEXI) DESCONTINUADO
14	23002500	WASHER, LOCK DESCONTINUADO
15	23002865	LOCK WASHER (M3) DESCONTINUADO
16	23002399	NUT(M4) DESCONTINUADO
17	23001056	WASHER (4.3) DESCONTINUADO
19	23001058	SPACER DESCONTINUADO
20	23002950	WASHER, LOCK (M4) DESCONTINUADO
21	23001064	ORNAMENTAL SCREW (M3 X 10) DESCONTINUADO
22	23002866	PLATE, INDEX (S/P)
23	23002966	PLATE, INDEX (S/P)
24	23002325	WASHER DESCONTINUADO
25	23002174	WASHER (3.2) DESCONTINUADO
26	23002660	LABEL, PUSH BUTTON (S/P)
27	23001530	BUTTON (START) DESCONTINUADO
28	23002868	KNOB, PUSH BUTTON (ECO) DESCONTINUADO
29	23001114	ROCKER SWITCH, PREWASH/NO DESCONTINUADO
30	23001531	BUTTON (ON/OFF) DESCONTINUADO
31	23001452	PLUG (WHT) DESCONTINUADO
32	23001532	COVER, BUTTON (PLASTIC) DESCONTINUADO

Distribuidor Autorizado

SurteRápido.com

Venta de Refacciones
Electrodomesticas

MFR50MNAVS DOOR





MFR50MNAVS DOOR

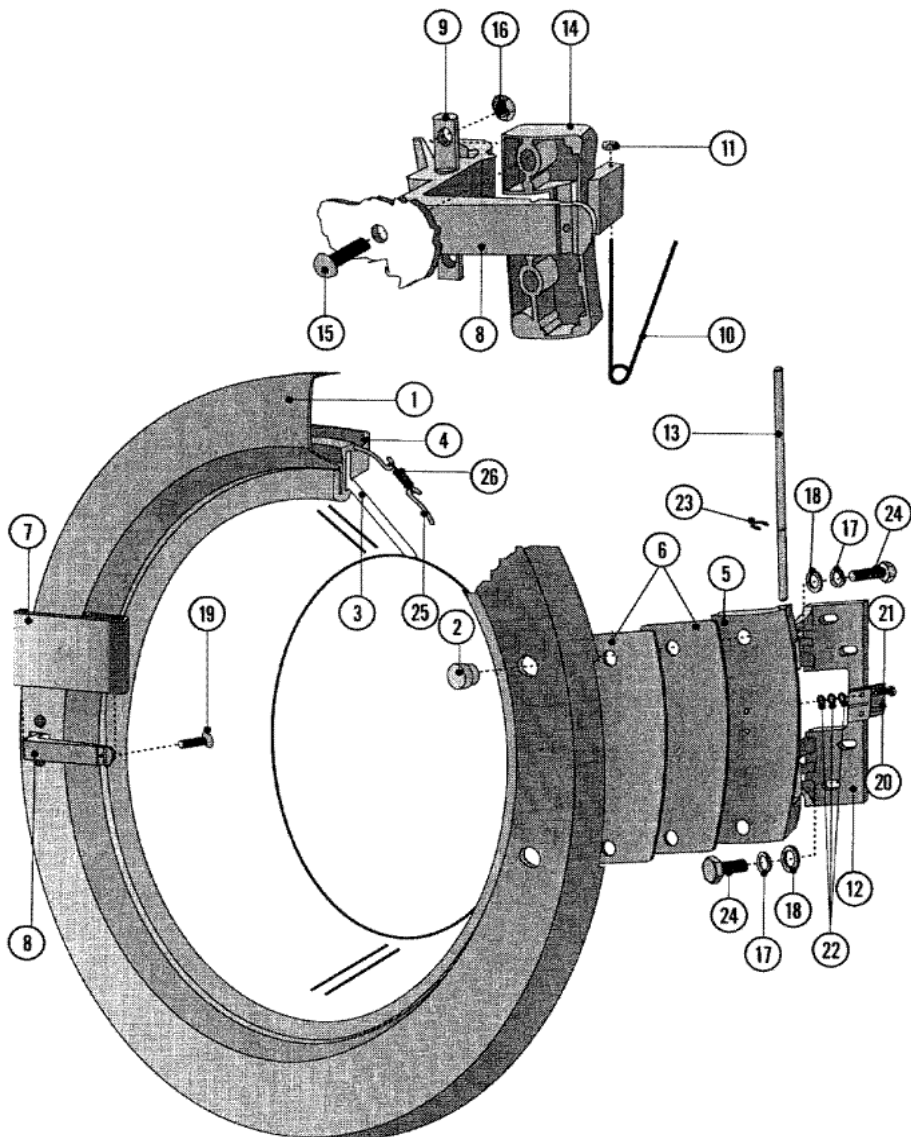
1	23001161	RING, DOOR DESCONTINUADO
2	23001162	NUT, ORNAMENTAL DESCONTINUADO
3	23001163	GLASS, DOOR DESCONTINUADO
4	23001164	GASKET, DOOR GLASS (S/P)
5	23001165	PLATE, HINGE DESCONTINUADO
6	23001166	SHIM, HINGE PLATE DESCONTINUADO
7	12001889	HANDLE, DOOR DESCONTINUADO
8	23002181	LEVER, HANDLE (S/P)
8	23003634	LEVER, DOOR (S/P)
9	23001168	SHAFT, LEVER DESCONTINUADO
10	23001169	SPRING, HANDLE LEVER (S/P)
11	23002499	SPEEDNUT (M3) DESCONTINUADO
11	23001170	FASTENER, SPRING (DIA. 3.2) DESCONTINUADO
12	23001171	BASE, HINGE DESCONTINUADO
13	23001172	SHAFT, DOOR HINGE DESCONTINUADO
14	23001174	BATCH ATTACHING DESCONTINUADO
14	23001173	HANDLE, LEVER PLATE DESCONTINUADO
15	23001175	SCREW (M6X20 STAINLESS DESCONTINUADO
16	23001312	NUT (M6 STAINLESS STEEL) DESCONTINUADO
17	23001158	WASHER (M6) DESCONTINUADO
18	23001159	WASHER (DIA. 14X8.6X1 STNLS)LU DESCONTINUADO
19	23001177	SCREW (M4 X 10) (S/P)
19	23001372	SCREW (M4 X 8 STNLS STEEL) DESCONTINUADO
20	23001178	MICROSWITCH, ACTIVATING DESCONTINUADO
21	23001179	SCREW DESCONTINUADO
22	23001056	WASHER (DIA. 10X5.3X1) DESCONTINUADO
23	23001181	RETAINING RING (DIA. 8) DESCONTINUADO
24	23001182	BOLT DESCONTINUADO
25	23001185	DOORSEAL, TENSION RING (S/P)
26	23001186	DOORSRING DESCONTINUADO

Distribuidor Autorizado

SurteRápido.com

Venta de Refacciones
Electrodomesticas

MFR50MNAVS DOOR (SERIES 11)





MFR50MNAVS DOOR (SERIES 11)

1	23001161	RING, DOOR DESCONTINUADO
2	23001162	NUT, ORNAMENTAL DESCONTINUADO
3	23001163	GLASS, DOOR DESCONTINUADO
4	23001164	GASKET, DOOR GLASS (S/P)
5	23001165	PLATE, HINGE DESCONTINUADO
6	23001166	SHIM, HINGE PLATE DESCONTINUADO
7	23001510	HANDLE, DOOR DESCONTINUADO
8	23003634	LEVER, DOOR (S/P)
8	23002181	LEVER, HANDLE (S/P)
9	23001168	SHAFT, LEVER DESCONTINUADO
10	23001169	SPRING, HANDLE LEVER (S/P)
11	23001057	SPEEDNUT (M3) DESCONTINUADO
12	23001171	BASE, HINGE DESCONTINUADO
13	23001172	SHAFT, DOOR HINGE DESCONTINUADO
14	23001173	HANDLE, LEVER PLATE DESCONTINUADO
15	23002937	SCREW (M6X26) DESCONTINUADO
16	23002280	NUT (M6) DESCONTINUADO
16	23001176	NUT (M6 STAINLESS STEEL) DESCONTINUADO
17	23002130	WASHER (6) DESCONTINUADO
18	23001643	WASHER (M6) DESCONTINUADO
19	23001621	SCREW (M4X12) LU (S/P)
19	23001177	SCREW (M4 X 10) (S/P)
20	23001178	MICROSWITCH, DESCONTINUADO
21	23001781	BOLT (M4X10) DESCONTINUADO
22	23001708	WASHER (5.3) DESCONTINUADO
23	23001181	RETAINING RING (DIA. 8) DESCONTINUADO
24	23002279	BOLT (M6X20) (S/P)
25	23001185	DOORSEAL, TENSION RING (S/P)
26	23001186	DOORSRING, TENSION SPRING DESCONTINUADO

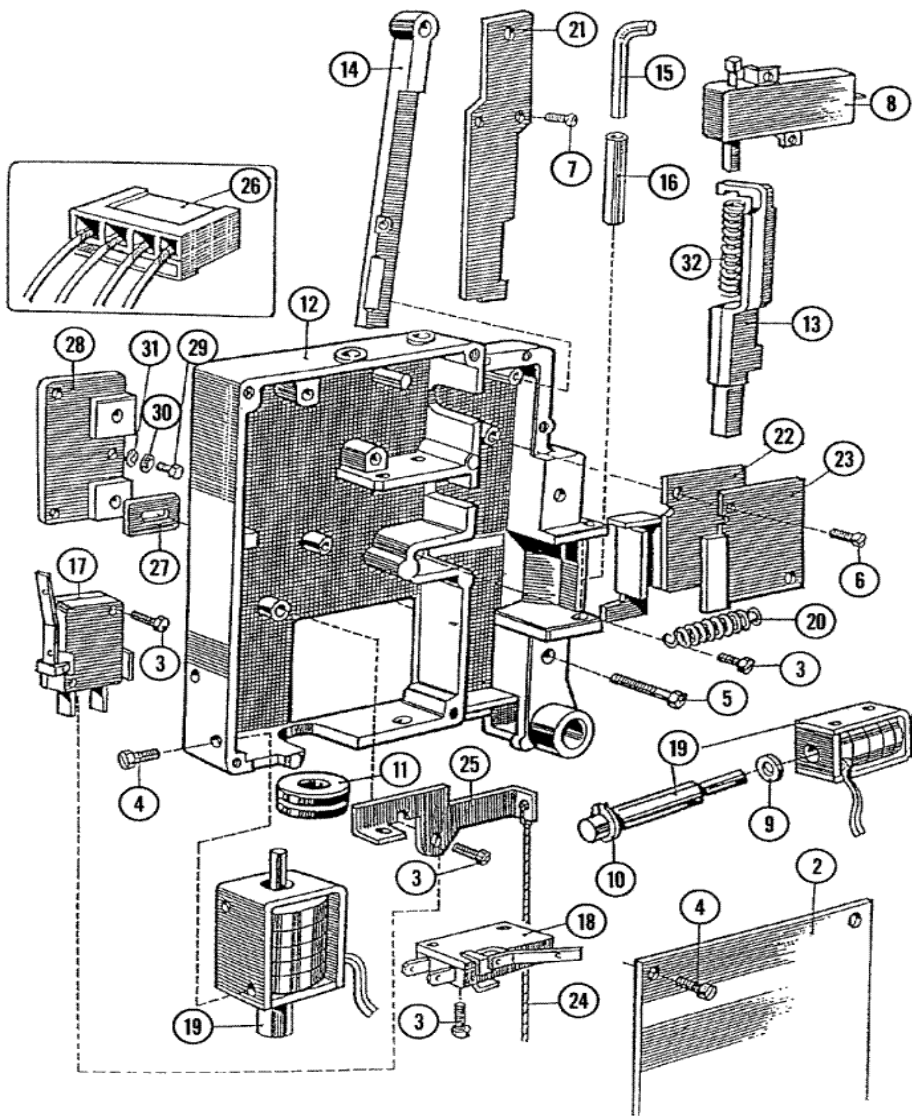
Distribuidor Autorizado

SurteRápido.com

Venta de Refacciones
Electrodomesticas



MFR50MNAVS DOOR LOCK ASSEMBLY





MFR50MNAVS DOOR LOCK ASSEMBLY

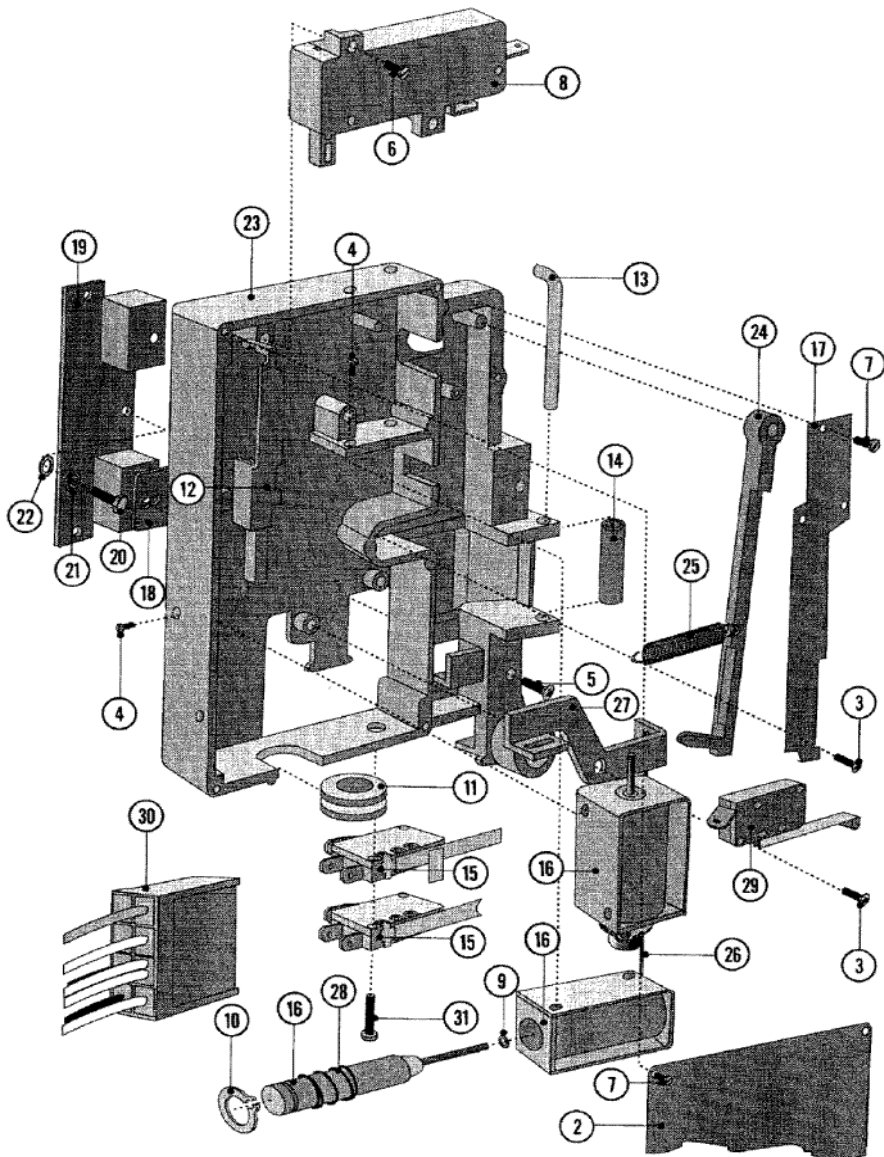
1	23001129	DOORLOCK DESCONTINUADO
2	23001130	PLATE, COVER (STNLS STEEL) DESCONTINUADO
3	23001131	SCREW (M3 X 14 CROSS RECESSED) (S/P)
4	23001132	SCREW (M3 X 4 CROSS RECESSED) (S/P)
5	23001133	SCREW (M5 X 25 STAINLESS STEEL) (S/P)
6	23001070	SCREW (M4X10) (S/P)
7	23001134	BOLT (M3 X 6) (S/P)
8	23001135	BIMETAL, ACTUATOR (230V) (S/P)
9	23001136	WASHER (DIA. 5.1 X 3.3 X 0.1) DESCONTINUADO
10	23001137	RING, RETAINING (G10) DESCONTINUADO
11	23001138	BUSHING, CABLE PASSAGE DESCONTINUADO
12	23001139	HOUSING, DOOR LOCK (S/P)
13	23001140	BAR, LOCKING DESCONTINUADO
14	23001141	BAR, HANDLE LATCH (S/P)
15	23001142	RETAINER, LOCK TUBE (DIA.4X45) DESCONTINUADO
16	23001143	LOCK TUBE (DIA. 4X23.5 STNLS) DESCONTINUADO
17	23001144	MICROSWITCH, SHORT LEVER DESCONTINUADO
18	23001145	MICROSWITCH, LONG LEVER (S/P)
19	23001147	COIL (120V) DESCONTINUADO
19	23001146	COIL (240V)
20	23001148	COIL SPRING, HANDLE LATCH BAR DESCONTINUADO
21	23001149	LEAF SPRING, LATCH BAR DESCONTINUADO
22	23001152	CORD, EMERGENCY OPENING DESCONTINUADO
23	23001153	LEVER, EMERGENCY OPENING DESCONTINUADO
24	23001154	WIRING HARNESS, DOORLOCK DESCONTINUADO
25	23001155	SHIM DESCONTINUADO
26	23001156	SPACER, LOCK DESCONTINUADO
27	23001157	BOLT (M6 X 12 STAINLESS STEEL) DESCONTINUADO
28	23001158	WASHER (M6) DESCONTINUADO
29	23001159	WASHER (DIA. 14X8.6X1 STNLS)LU DESCONTINUADO

Distribuidor Autorizado

SurteRápido.com

Venta de Refacciones
Electrodomesticas

MFR50MNAVS DOOR LOCK ASSEMBLY (SERIES 11)





MFR50MNAVS DOOR LOCK ASSEMBLY (SERIES 11)

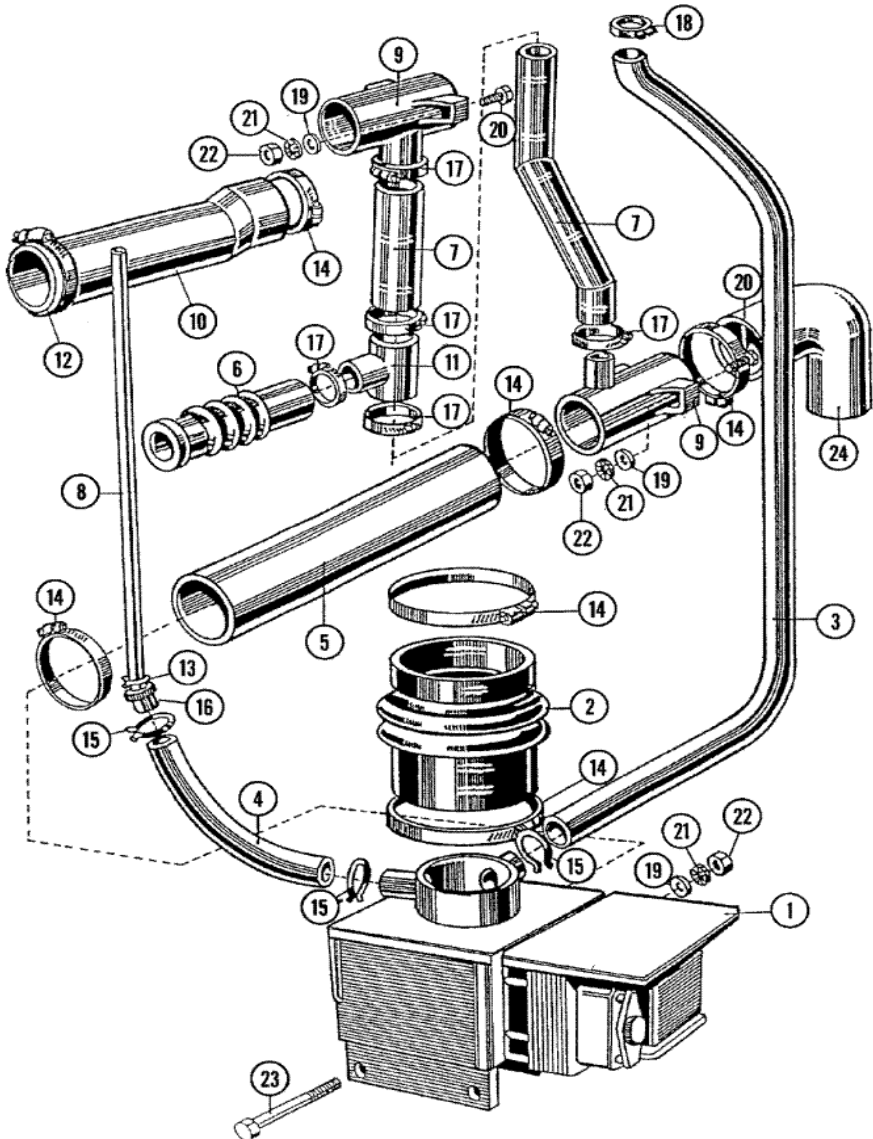
1	23003679	DOOR LATCH COMPLETE (MC/MN) DESCONTINUADO
2	23001130	PLATE, COVER (STNLS STEEL) DESCONTINUADO
3	23001131	SCREW (M3 X 14 CROSS RECESSED) (S/P)
4	23001132	SCREW (M3 X 4 CROSS RECESSED) (S/P)
5	23001133	SCREW (M5 X 25 STAINLESS STEEL (S/P)
6	23001070	SCREW (M4X10) (S/P)
7	23001134	BOLT (M3 X 6) (S/P)
8	23001135	BIMETAL, ACTUATOR (230V) (S/P)
9	23001136	WASHER (DIA. 5.1 X 3.3 X 0.1) DESCONTINUADO
10	23001137	RING, RETAINING (G10) DESCONTINUADO
11	23001138	BUSHING, CABLE PASSAGE DESCONTINUADO
12	23001140	BAR, LOCKING DESCONTINUADO
13	23001142	RETAINER, LOCK TUBE (DIA.4X45) DESCONTINUADO
14	23001143	LOCK TUBE (DIA. 4X23.5 STNLS) DESCONTINUADO
15	23001144	MICROSWITCH, SHORT LEVER DESCONTINUADO
16	23001147	COIL (120V) DESCONTINUADO
16	23001146	COIL (240V)
17	23001149	LEAF SPRING, LATCH BAR DESCONTINUADO
18	23001155	SHIM DESCONTINUADO
19	23001156	SPACER, LOCK DESCONTINUADO
20	23002353	SCREW (M6X12) DESCONTINUADO
21	23002130	WASHER (6) DESCONTINUADO
22	23001159	WASHER (DIA. 14X8.6X1 STNLS)LU DESCONTINUADO
23	Y23002898	GROUND, PLATE LOCK DESCONTINUADO
24	23002899	HANDLE, LOCKING PART DESCONTINUADO
25	23002900	SPRING, LOCKING PART (S/P)
26	23002901	CORD, OPENING DESCONTINUADO
27	23002902	LEVEL, OPENING (S/P)
28	23002903	SPRING, LOCKING PART DESCONTINUADO
29	23002337	MICROSWITCH W/ ROLLER ARM DESCONTINUADO
30	23002904	WIRING, DOOR LOCK DESCONTINUADO
31	23002906	SCREW (M3X25) DESCONTINUADO

Distribuidor Autorizado

SurteRápido.com

Venta de Refacciones
Electrodomesticas

MFR50MNAVS DRAIN & HOSE ASSEMBLY





MFR50MNAVS DRAIN & HOSE ASSEMBLY

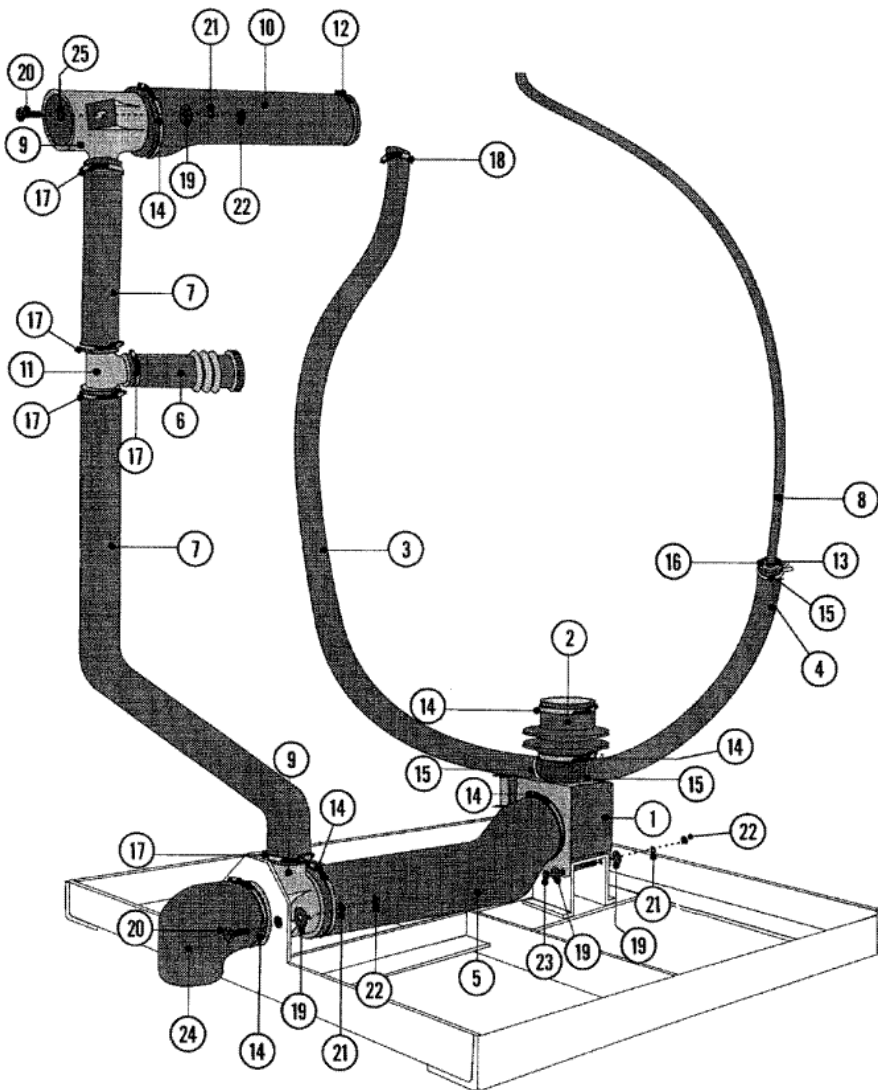
1	23002321	MOTOR, DRAIN (240V) DESCONTINUADO
1	23001244	VALVE, DRAIN (240V-50/60HZ) (S/P)
2	23001245	HOSE, TUB (S/P)
3	23001246	HOSE, BOTTOM FILL (S/P)
4	23001247	HOSE, AIR DOME (30 CM) DESCONTINUADO
5	23001248	HOSE, DRAIN DESCONTINUADO
6	23001250	HOSE, AIR VENT DESCONTINUADO
7	23001251	HOSE, OVERFLOW DESCONTINUADO
8	23001252	HOSE, WATER LEVEL SWITCH (S/P)
9	23001253	DRAIN TEE DESCONTINUADO
10	23004241	AIR VENT HOSE, SOAP BOX DESCONTINUADO
11	23001255	TEE, OVERFLOW HOSE DESCONTINUADO
12	23001256	CLAMP, HOSE (60-80) DESCONTINUADO
13	23001257	CLAMP, CORBIN (A5.5) DESCONTINUADO
14	23001258	CLAMP, HOSE (70-90) DESCONTINUADO
15	23001259	CLAMP, CORBIN (A17.5) DESCONTINUADO
16	23001260	BUSHING, AIR DOME HOSE DESCONTINUADO
17	23001261	CLAMP, HOSE (32-50) DESCONTINUADO
18	23001262	CLAMP, HOSE (20-32) DESCONTINUADO
19	23001263	WASHER (8.4) DESCONTINUADO
20	23001264	BOLT (M8X20) DESCONTINUADO
21	23001265	WASHER (8) DESCONTINUADO
22	23001266	NUT (M8) DESCONTINUADO
23	23001267	BOLT (M8 X 120) (S/P)
24	23002015	HOSE, DRAIN (90 DIA.) DESCONTINUADO

Distribuidor Autorizado

SurteRápido.com

Venta de Refacciones
Electrodomesticas

MFR50MNAVS DRAIN & HOSE ASSEMBLY (SERIES 11)





MFR50MNAVS DRAIN & HOSE ASSEMBLY (SERIES 11)

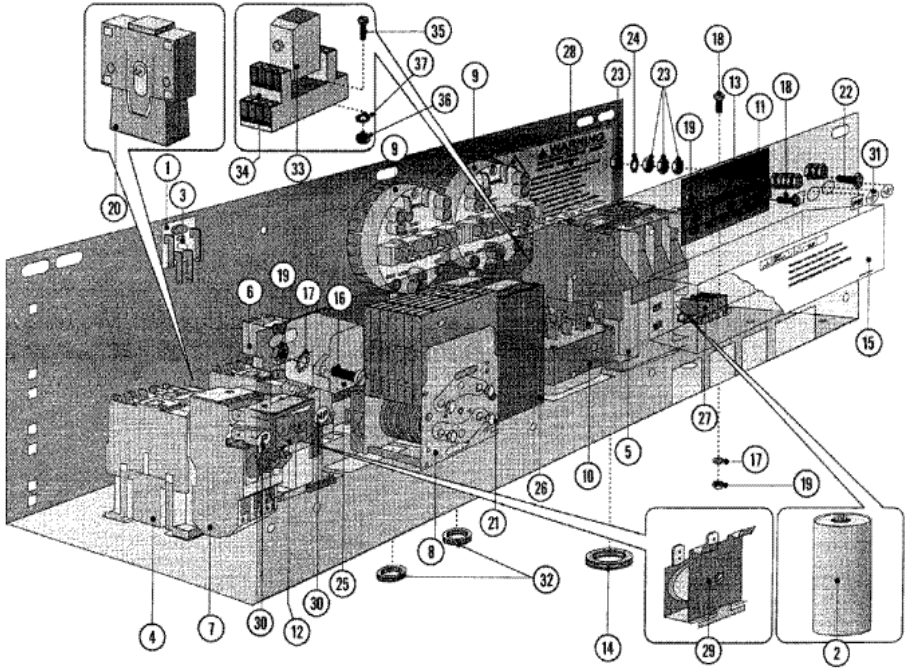
1	23001244	VALVE, DRAIN (240V-50/60HZ) (S/P)
2	23001245	TUB, OUTLET VALVE HOSE DESCONTINUADO
3	23001246	HOSE, BOTTOM FILL (S/P)
4	23001247	HOSE, AIR DOME (30 CM) DESCONTINUADO
5	23001248	HOSE, DRAIN DESCONTINUADO
6	23001250	HOSE, AIR VENT DESCONTINUADO
7	23001251	HOSE, OVERFLOW DESCONTINUADO
8	23001252	HOSE, WATER LEVEL SWITCH (S/P)
9	23001253	DRAIN TEE DESCONTINUADO
10	23004241	AIR VENT HOSE, SOAP BOX DESCONTINUADO
11	23001255	TEE, OVERFLOW HOSE DESCONTINUADO
12	23001256	CLAMP, HOSE (60-80) DESCONTINUADO
13	23001257	CLAMP, CORBIN (A5.5) DESCONTINUADO
14	23001258	CLAMP, HOSE (70-90) DESCONTINUADO
15	23001259	CLAMP, CORBIN (A17.5) DESCONTINUADO
16	23001260	BUSHING, AIR DOME HOSE DESCONTINUADO
17	23001261	CLAMP, HOSE (32-50) DESCONTINUADO
18	23001262	CLAMP, HOSE (20-32) DESCONTINUADO
19	23002437	WASHER (M8) DESCONTINUADO
20	23001264	BOLT (M8X20) DESCONTINUADO
21	23001265	WASHER (M8) DESCONTINUADO
22	23001266	NUT (M8) DESCONTINUADO
23	23002908	SCREW (M8X120) (S/P)
24	23002015	ELBOW, 90 DEGREE DESCONTINUADO
25	23001203	WASHER (8/6) DESCONTINUADO

Distribuidor Autorizado

SurteRápido.com

Venta de Refacciones
Electrodomesticas

MFR50MNAVS ELECTRICAL COMPONENTS (SERIES 11)





MFR50MNAVS ELECTRICAL COMPONENTS (SERIES 11)

1	23001094	BRIDGE, RECTIFIER DESCONTINUADO
2	23001098	CAPACITOR (130MF) DESCONTINUADO
2	23001096	CAPACITOR (60MF) DESCONTINUADO
3	23001099	PC BOARD SOCKET (S/P)
4	23003750	CONTACTOR (LC1-D0901 M7) DESCONTINUADO
4	23003751	CONTACTOR (LC1-D1201 M7) DESCONTINUADO
5	23001340	CONTACTOR (LC1-D4011) DESCONTINUADO
5	23001102	CONTACTOR (LC1-D1801 M7) DESCONTINUADO
5	23001103	CONTACTOR (LC1-D3201 M7) DESCONTINUADO
6	23001104	AUXILIARY CONTACT (1NO-1NC) DESCONTINUADO
7	23001108	RELAY, THERMAL OVERLOAD DESCONTINUADO
7	23001106	RELAY, THERMAL OVERLOAD DESCONTINUADO
7	23002101	RELAY, OVERLOAD (LR2-D1312) DESCONTINUADO
7	23003761	RELAY, THERMAL OVERLOAD DESCONTINUADO
8	23001110	TIMER, REVERSING (PR1840) (S/P)
9	23001513	SWITCH, WATER LEVEL (S/P)
10	23002460	THERMOSTAT (4 TEMP) DESCONTINUADO
11	23002154	BOARD, TERMINAL (6 POLES) DESCONTINUADO
12	23001114	ROCKER SWITCH, DESCONTINUADO
13	23001115	INSULATION PAPER DESCONTINUADO
14	23001117	RING, RUBBER (DIA. 25) DESCONTINUADO
15	23001118	STICKER, LIQUID SOAP DESCONTINUADO
16	23002423	SCREW (M4 X 10) DESCONTINUADO
17	23001013	WASHER (4) DESCONTINUADO
18	23002398	SCREW (M4X16) DESCONTINUADO
19	23002399	NUT(M4) DESCONTINUADO
20	23003762	MECHANICAL INTERLOCK, DESCONTINUADO
21	23002952	SCREW (M4X4) DESCONTINUADO
22	23002806	SCREW (M6 X 25) DESCONTINUADO
23	23001312	NUT (M6) DESCONTINUADO
24	23002425	WASHER (M6) DESCONTINUADO
25	23001518	MEMBER, RC DESCONTINUADO
26	23003734	TRANSFORMER, CONTROL CIRCUIT (S/P)

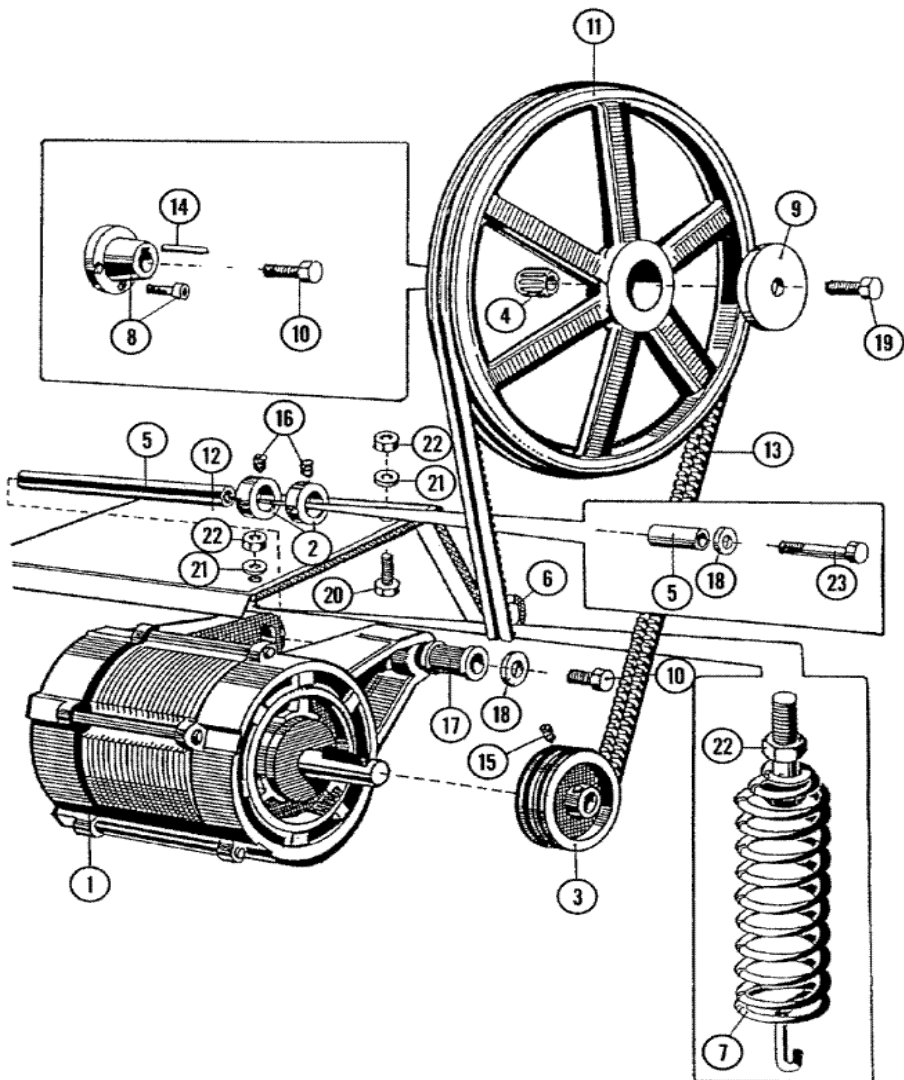
27	23002959	CONNECTOR DESCONTINUADO
28	23001465	STICKER, ELECTRICITY WARNING DESCONTINUADO
29	23002955	BUZZER DESCONTINUADO
30	23001517	STICKER (S/P)
31	23001546	LABEL, EARTH DESCONTINUADO
32	23001138	BUSHING, CABLE PASSAGE DESCONTINUADO
33	23002956	SCHRACH, RELAY (S/P)
34	23002957	BASE, RELAY DESCONTINUADO
35	23002906	SCREW (M3X25) DESCONTINUADO
36	23002958	NUT (M3) DESCONTINUADO
37	23002865	LOCK WASHER (M3) DESCONTINUADO

Distribuidor Autorizado

SurteRápido.com

Venta de Refacciones
Electrodomesticas

MFR50MNAVS MOTOR & BASKET PULLEY





MFR50MNAVS MOTOR & BASKET PULLEY

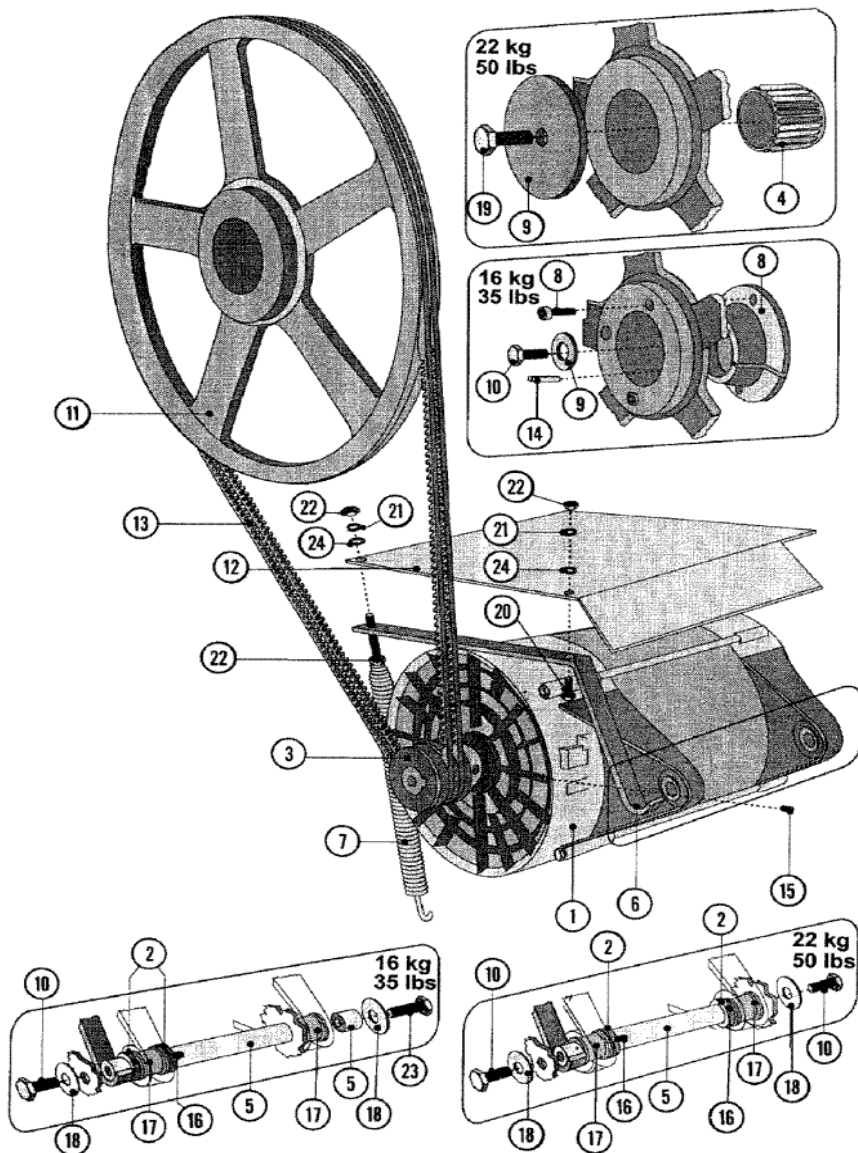
1	23001271	MOTOR (THREE PHASE 240/208V) DESCONTINUADO
2	23001272	COLLAR, RETAINER DESCONTINUADO
3	23001273	V-PULLEY (DIA. 53 X PZ 60HZ) DESCONTINUADO
4	23001274	RING, TOLERANCE DESCONTINUADO
5	23001275	SUPPORT ROD, MOTOR DESCONTINUADO
6	23001278	BELT TENSIONER (SINGLE PHASE) DESCONTINUADO
7	23001279	BELT, TENSION SPRING DESCONTINUADO
9	23001281	WASHER (DIA. 90 X 10) DESCONTINUADO
10	23001283	BOLT (M12 X 35) DESCONTINUADO
11	23001285	BASKET PULLEY (DIA. 450) DESCONTINUADO
12	23001286	SHIELD, MOTOR DESCONTINUADO
13	23001287	V-BELT (XPZ X 1950)
15	23001289	SCREW, ALLEN SET (M8 X 10) DESCONTINUADO
16	23001290	SCREW, ALLEN SET (M6 X 6) DESCONTINUADO
17	23001291	BUSHING, RUBBER MOTOR MOUNT DESCONTINUADO
18	23001292	WASHER (13) DESCONTINUADO
19	23002931	BOLT (M14 X 50) DESCONTINUADO
20	23001264	BOLT (M8X20) DESCONTINUADO
21	23001265	WASHER (8) DESCONTINUADO
22	23001266	NUT (M8) DESCONTINUADO
23	23001294	BOLT (M12 X 70) DESCONTINUADO

Distribuidor Autorizado

SurteRápido.com

Venta de Refacciones
Electrodomesticas

MFR50MNAVS MOTOR & BASKET PULLEY (SERIES 11)





MFR50MNAVS MOTOR & BASKET PULLEY (SERIES 11)

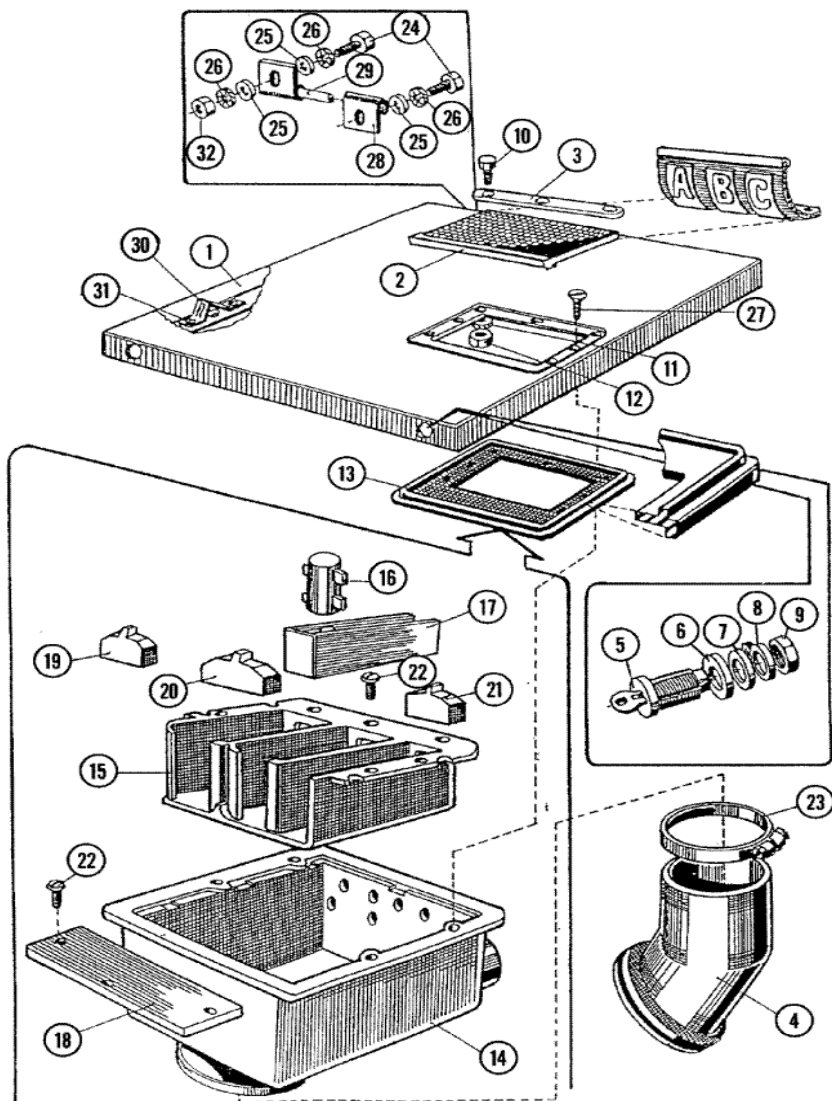
1	23001271	MOTOR (THREE PHASE 240/208V) DESCONTINUADO
2	23002925	SHAFT, SLIDING RING MOTOR DESCONTINUADO
3	23001273	V-PULLEY (DIA. 53 X PZ 60HZ) DESCONTINUADO
4	23001274	RING, TOLERANCE DESCONTINUADO
5	23002969	SHAFT, MOTOR DESCONTINUADO
6	23001278	BELT TENSIONER (SINGLE PHASE) DESCONTINUADO
7	23001279	BELT, TENSION SPRING DESCONTINUADO
9	23001281	WASHER (DIA. 90 X 10) DESCONTINUADO
10	23001283	SCREW (M12 X 35) DESCONTINUADO
11	23001285	BASKET PULLEY (DIA. 450) DESCONTINUADO
12	23002928	MOTOR, PROTECTION SHIELD DESCONTINUADO
13	23001287	V-BELT (XPZ X 1950)
14	23001288	BASKET PULLEY KEY (10 X 8X 60) DESCONTINUADO
15	23002929	SCREW, SOCKET SET (M8X10) DESCONTINUADO
16	23002930	SCREW, SOCKET SET (M6X6) DESCONTINUADO
17	23001291	BUSHING, RUBBER MOTOR DESCONTINUADO
18	23001292	WASHER (13) DESCONTINUADO
19	23002931	SCREW (M14X50) DESCONTINUADO
20	23001264	BOLT (M8X20) DESCONTINUADO
21	23002932	WASHER, SPRING DESCONTINUADO
22	23002399	NUT(M4) DESCONTINUADO
23	23002846	SCREW (M12X70) DESCONTINUADO
24	23001203	WASHER (8/6) DESCONTINUADO

Distribuidor Autorizado

SurteRápido.com

Venta de Refacciones
Electrodomesticas

MFR50MNAVS SOAP BOX & TOP COVER ASSEMBLY





MFR50MNAVS SOAP BOX & TOP COVER ASSEMBLY

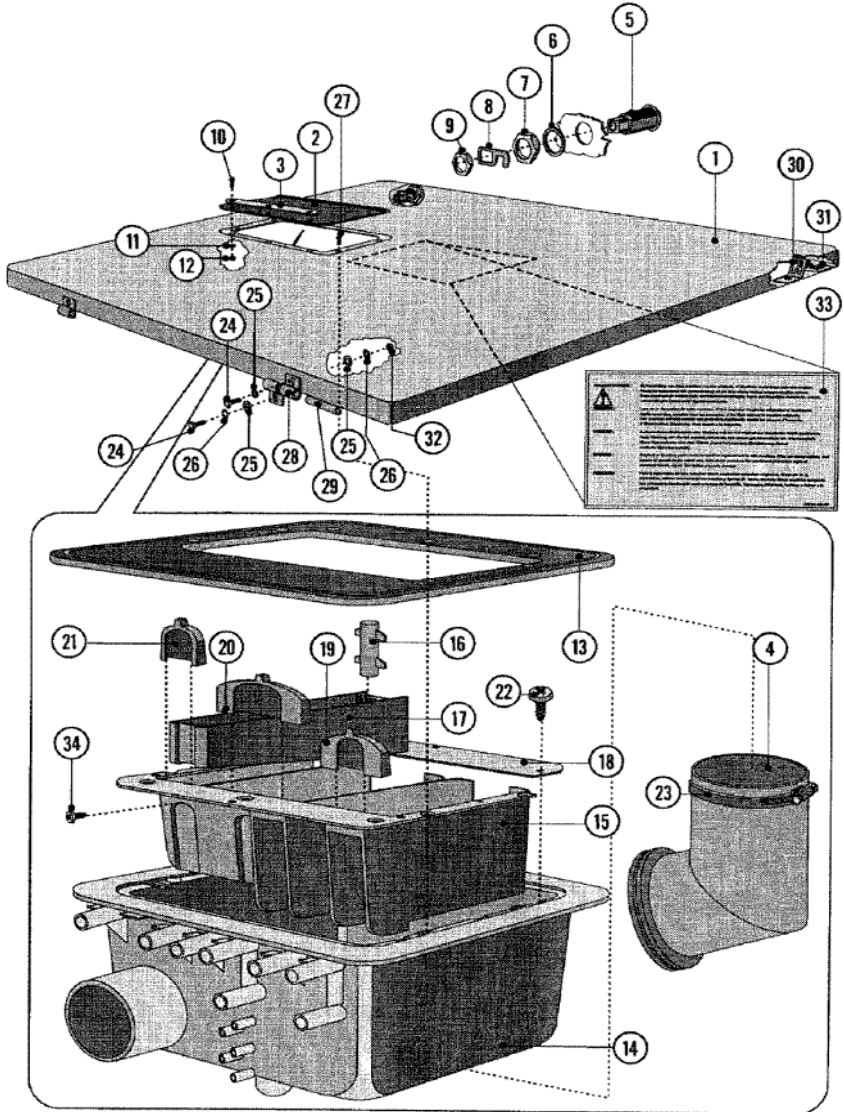
1	23001002	TOP COVER-MFR50MN, DESCONTINUADO
2	23001003	RUBBER COVER, SOAP BOX DESCONTINUADO
3	23001004	CLAMP, SOAP BOX COVER DESCONTINUADO
4	23001005	RUBBER HOSE, SOAP BOX DESCONTINUADO
5	23001006	LOCK, TOP PANEL DESCONTINUADO
6	23001007	WASHER, FIBER DESCONTINUADO
7	23001008	LOCK NUT (LARGE) DESCONTINUADO
8	23001009	LOCK HOOK (SHORT) DESCONTINUADO
9	23001011	NUT DESCONTINUADO
10	23001012	SCREW (M4 X 12 STNLS STEEL) DESCONTINUADO
11	23001013	LOCK WASHER EXTERNAL TEETH DESCONTINUADO
12	23001014	NUT (M4) DESCONTINUADO
13	23001015	RUBBER SEAL, SOAP BOX DESCONTINUADO
14	23001016	SOAP BOX HOUSING DESCONTINUADO
15	23001017	SOAP BOX INSERT DESCONTINUADO
16	23001018	SIPHON DESCONTINUADO
17	23001019	TRAY DESCONTINUADO
18	23001020	COVER, PLATE DESCONTINUADO
19	23001021	DRAWER, PREWASH DESCONTINUADO
19	23002318	SCREW, PAN HEAD (SLOTTED) DESCONTINUADO
20	23001022	DRAWER, MAIN WASH DESCONTINUADO
21	23001023	DRAWER, LAST RINSE DESCONTINUADO
23	23001025	CLAMP, HOSE (DIA 90/110) DESCONTINUADO
24	23001307	BOLT (M6 X 20) (S/P)
25	23001027	WASHER (DIA. 12 X 6.5 X 1.6) DESCONTINUADO
26	23001028	LOCK WASHER EXTERNAL DESCONTINUADO
27	23001029	SCREW, FLAT HD (STLS M5X15MM) (S/P)
28	23001030	HINGE, TOP COVER DESCONTINUADO
29	23001031	HINGE SHAFT (10 X 56 BRASS) DESCONTINUADO
30	23001032	CLAMP, SRV DESCONTINUADO
31	23001033	RIVETS, BLIND (DIA. 3.2 X 8)LU DESCONTINUADO
32	23001034	NUT (M6) DESCONTINUADO
33	23001550	LABEL, EARTH (S/P)

Distribuidor Autorizado

SurteRápido.com

Venta de Refacciones
Electrodomesticas

MFR50MNAVS SOAP BOX & TOP COVER ASSEMBLY(SERIES 11)

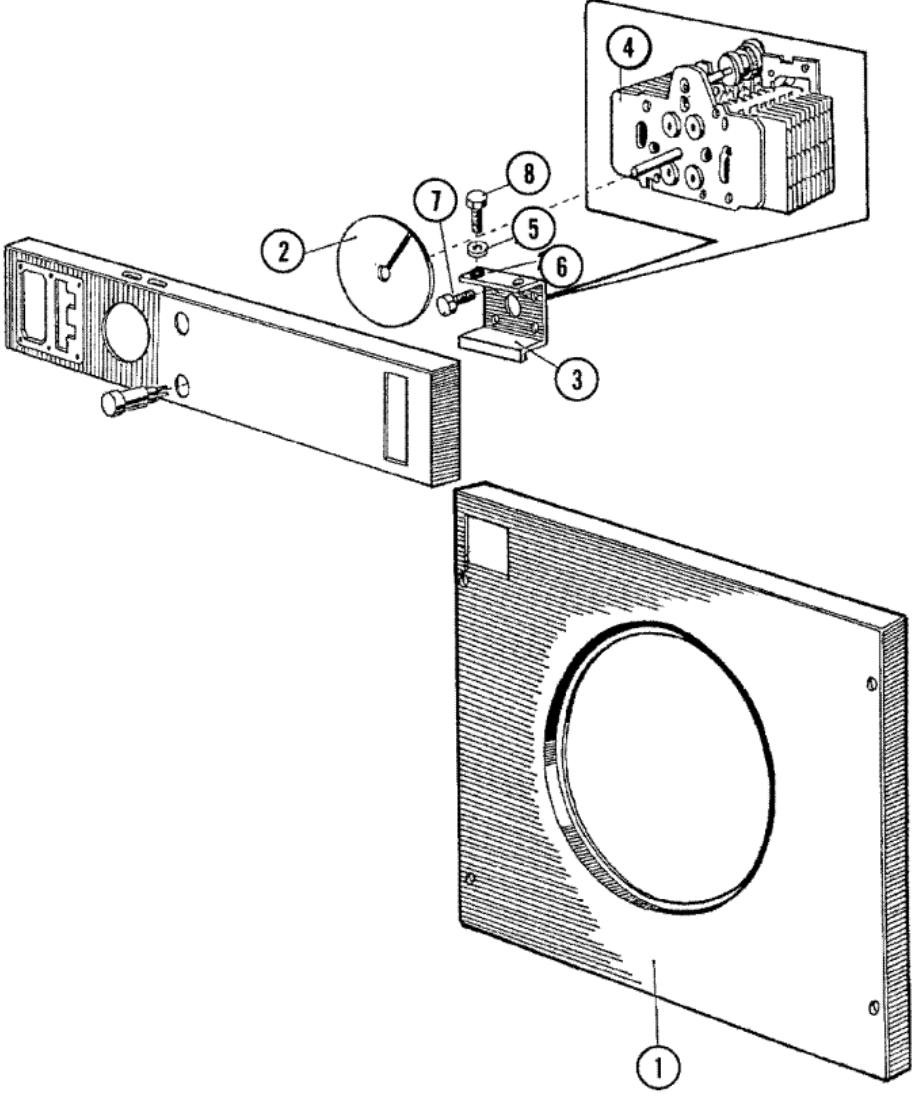




MFR50MNAVS SOAP BOX & TOP COVER ASSEMBLY(SERIES 11)

1	23001002	COVER, STAINLESS STEEL DESCONTINUADO
2	23001003	RUBBER COVER, SOAP BOX DESCONTINUADO
3	23002893	LATH, RUBBER COVER SOAP DESCONTINUADO
4	23001005	RUBBER HOSE, SOAP BOX DESCONTINUADO
5	23001006	LOCK, TOP PANEL DESCONTINUADO
6	23001007	WASHER, FIBER DESCONTINUADO
7	23001008	LOCK NUT (LARGE) DESCONTINUADO
8	23001009	LOCK HOOK (SHORT) DESCONTINUADO
8	23001010	LOCK HOOK (LONG) DESCONTINUADO
9	23001011	NUT DESCONTINUADO
10	23001012	SCREW (M4 X 12 STNLS STEEL) DESCONTINUADO
11	23001636	WASHER DESCONTINUADO
12	23002652	NUT (QTY OF 4 = 1 PIECE) DESCONTINUADO
13	23001015	RUBBER SEAL, SOAP BOX DESCONTINUADO
14	23001016	SOAP BOX HOUSING DESCONTINUADO
15	23001017	SOAP BOX INSERT DESCONTINUADO
16	23001018	SIPHON DESCONTINUADO
17	23001019	TRAY DESCONTINUADO
18	23001020	COVER, PLATE DESCONTINUADO
19	23001021	DRAWER, PREWASH DESCONTINUADO
20	23001022	DRAWER, MAIN WASH DESCONTINUADO
21	23001023	DRAWER, LAST RINSE DESCONTINUADO
22	23001024	SCREW DESCONTINUADO
23	23001025	CLAMP, HOSE (DIA 90/110) DESCONTINUADO
24	23002462	SCREW (M6 X 20) LU (S/P)
25	23001027	WASHER (DIA. 12 X 6.5 X 1.6) DESCONTINUADO
26	23002756	WASHER DESCONTINUADO
28	23001030	HINGE, TOP COVER DESCONTINUADO
29	23001031	HINGE SHAFT (10 X 56 BRASS) DESCONTINUADO
30	23001032	CLAMP, SRV DESCONTINUADO
31	23001033	RIVETS, BLIND (DIA. 3.2 X 8)LU DESCONTINUADO
32	23003775	NUT (M6) DESCONTINUADO
33	23001550	LABEL, EARTH (S/P)

**MFR50MNAVS TIMER & COIN
ASSEMBLY**





MFR50MNAVS TIMER & COIN ASSEMBLY

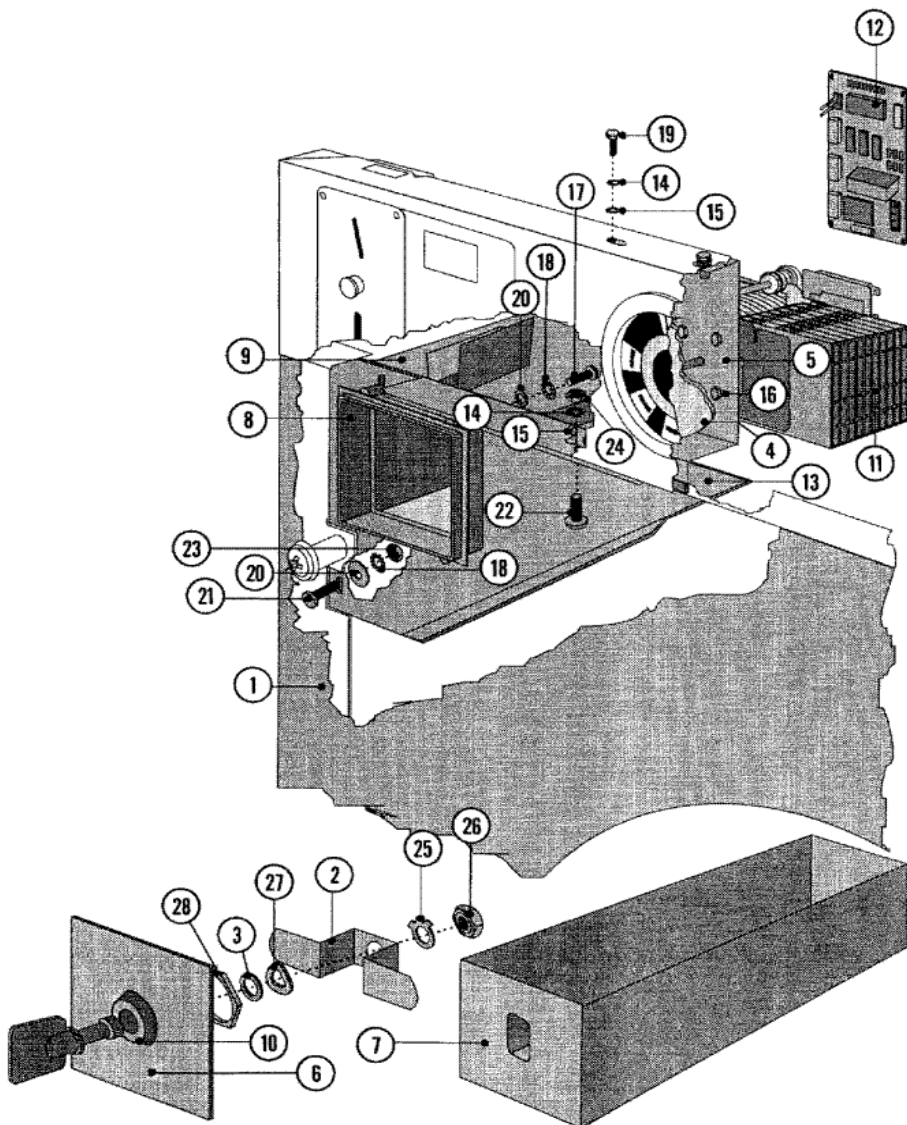
1	23001320	PANEL, FRONT (SS)COIN DESCONTINUADO
2	23001060	INDICATOR DISC, TIMER DESCONTINUADO
3	23001061	TIMER, SUPPORT DESCONTINUADO
4	23002204	MOTOR, TIMER (230V-LARGE) DESCONTINUADO
4	23001065	TIMER (PR 6023 230V)
5	23002756	LOCK WASHER EXTERNAL DESCONTINUADO
6	23001027	WASHER (DIA. 12 X 6.5 X 1.6) DESCONTINUADO
7	23001069	BOLT (M4X4) DESCONTINUADO
8	23001026	BOLT (M6 X 16) DESCONTINUADO
9	23001038	CONVERSION KIT (MC TO MN) DESCONTINUADO

Distribuidor Autorizado

SurteRápido.com

Venta de Refacciones
Electrodomesticas

MFR50MNAVS TIMER & COIN ASSEMBLY (SERIES 11)





MFR50MNAVS TIMER & COIN ASSEMBLY (SERIES 11)

1	23001320	PANEL, FRONT (SS)COIN DESCONTINUADO
2	23002879	CAM, COIN LOCK BOX DESCONTINUADO
3	23001580	WASHER (6.4) DESCONTINUADO
4	23001060	INDICATOR DISC, TIMER DESCONTINUADO
5	23002880	TIMER, SUPPORT DESCONTINUADO
6	23002881	PLATE, COIN VAULT ORNAMENTAL DESCONTINUADO
7	23002882	BOX, COIN DESCONTINUADO
8	23002883	VAULT, ORNAMENTAL DESCONTINUADO
9	23002884	VAULT, COIN (SINGLE) LU DESCONTINUADO
10	23002885	LOCK, COIN VAULT DESCONTINUADO
11	23001065	TIMER (PR 6023 230V)
12	23001066	COIN COUNTER (W/LED DISPLAY) DESCONTINUADO
13	23001502	SUPPORT, COIN VAULT DESCONTINUADO
14	23002756	WASHER DESCONTINUADO
15	23001027	WASHER (DIA. 12 X 6.5 X 1.6) DESCONTINUADO
16	23002886	SCREW (M4X4) DESCONTINUADO
17	23002423	SCREW (M4 X 10) DESCONTINUADO
18	23001013	WASHER (4) DESCONTINUADO
19	23002354	SCREW (M6X16) DESCONTINUADO
20	23002438	WASHER (4.3) DESCONTINUADO
21	23001012	SCREW (M4 X 12 STNLS STEEL) DESCONTINUADO
22	23002887	SCREW (M6X12) (S/P)
23	23002399	NUT(M4) DESCONTINUADO
24	23003773	NUT (M6) DESCONTINUADO
25	23002888	WASHER, SELF LOCKING DESCONTINUADO
26	23002889	NUT, LOCK (SMALL) DESCONTINUADO
27	23002890	WASHER, SPRING LOCK DESCONTINUADO
28	23002891	NUT, LOCK (BIG) DESCONTINUADO
29	23002334	MC TO MN CONVERS.(CSA) DESCONTINUADO



MFR50MNAVS WATER VALVE & REAR PANEL

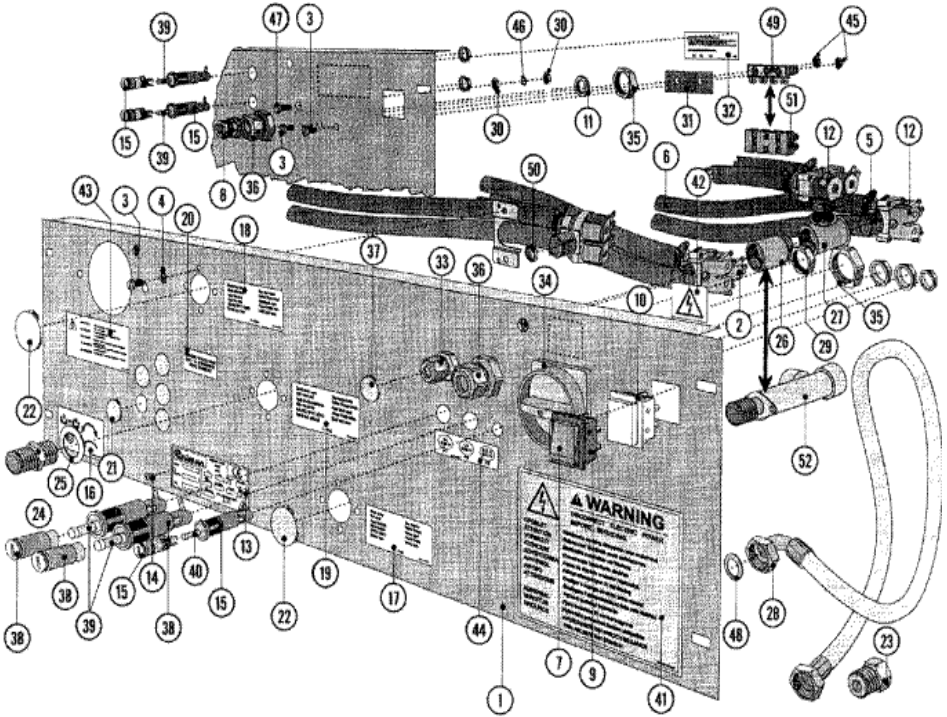
1	23002455	NUT, CAGE DESCONTINUADO
1	23001503	PANEL, VALVE DESCONTINUADO
2	23001361	BOLT (M4X10) DESCONTINUADO
3	23001013	LOCK WASHER EXTERNAL DESCONTINUADO
4	23001506	CLAMP, HOSE DESCONTINUADO
5	23001507	WATERHOSE (GREEN) DESCONTINUADO
6	23001450	SWIVEL (PG9) DESCONTINUADO
7	23001529	BUTTON (RAPID ADVANCE) DESCONTINUADO
8	23001452	PLUG (WHT) DESCONTINUADO
9	23001453	NUT, SWIVEL (PG9) DESCONTINUADO
10	23001454	BLOCK, TERMINAL CONNECTION DESCONTINUADO
11	23001455	VALVE, TWO WAY (220V 50/60HZ) (S/P)
12	23001460	PLATE, IDENTIFICATION DESCONTINUADO
13	23001461	RIVETS, BLIND DESCONTINUADO
14	23001462	HOLDER, FUSE DESCONTINUADO
15	23001508	FUSE (1A) (S/P)
16	23001465	STICKER, ELECTRICITY WARNING DESCONTINUADO
17	23001468	STICKER, SPIN DIRECTION DESCONTINUADO
18	23001469	STICKER, HOT WATER DESCONTINUADO
19	23001471	STICKER, COLD SOFT WATER DESCONTINUADO
20	23001509	STICKER, PIPE THREAD DESCONTINUADO
21	23001473	STICKER (1A) (S/P)
22	23001475	PLUG, LIQUID SOAP OPENING (S/P)
23	23001477	ADAPTER (3/4`` PIPE TO 3/4`` HOS DESCONTINUADO
24	23001479	SCREW (M 4 X 16 BRASS) (S/P)
25	23001480	WASHER (DIA. 9 X 4.3 X 0.8) (S/P)
26	23001014	NUT (M4 BRASS) DESCONTINUADO
27	23001482	NIPPLE (3/4`` PIPE THREAD) DESCONTINUADO
28	23001483	WASHER (DIA. 40 X 6.5 X 3) DESCONTINUADO
29	23001484	EXTENSION, BRASS PIPE THREAD DESCONTINUADO
30	23001485	TEE, 3/4`` PIPE THREAD (BRASS) DESCONTINUADO
31	23001523	HOSE, CONNECTION DESCONTINUADO

Distribuidor Autorizado

SurteRápido.com

Venta de Refacciones
Electrodomesticas

MFR50MNAVS WATER VALVE & REAR PANEL (SERIES 11)





MFR50MNAVS WATER VALVE & REAR PANEL (SERIES 11)

1	23003683	BRIDGE, REAR DESCONTINUADO
2	23001533	VALVE, THREE-WAY (S/P)
3	23002423	SCREW (M4 X 10) DESCONTINUADO
4	23001013	WASHER (4) DESCONTINUADO
5	23001506	CLAMP, HOSE DESCONTINUADO
6	23001507	WATERHOSE (GREEN) DESCONTINUADO
7	23001532	COVER, BUTTON (PLASTIC) DESCONTINUADO
8	23001453	NUT, SWIVEL (PG9) DESCONTINUADO
9	23001529	BUTTON (RAPID ADVANCE) DESCONTINUADO
10	23001452	PLUG (WHT) DESCONTINUADO
11	23001450	SWIVEL (PG9) DESCONTINUADO
12	23001455	VALVE, TWO WAY (220V 50/60HZ) (S/P)
14	23001461	RIVETS, BLIND DESCONTINUADO
15	23001462	HOLDER, FUSE DESCONTINUADO
16	23001468	STICKER, SPIN DIRECTION DESCONTINUADO
17	23002910	PLATE, INDEX ``HOT WATER`` (S/P)
18	23002911	PLATE, INDEX (COLD HARD WATER) (S/P)
19	23002912	PLATE, INDEX (COLD SOFT WATER) (S/P)
20	23001509	STICKER, PIPE THREAD DESCONTINUADO
21	23002794	PLUG (13) (S/P)
22	23001476	PLUG, WATER INLET DESCONTINUADO
23	23001477	ADAPTER (3/4`` PIPE TO 3/4`` DESCONTINUADO
24	23001482	NIPPLE (3/4`` PIPE THREAD) DESCONTINUADO
25	23001483	WASHER (DIA. 40 X 6.5 X 3) DESCONTINUADO
26	23001484	EXTENSION, BRASS PIPE THREAD DESCONTINUADO
27	23001485	TEE, 3/4`` PIPE THREAD (BRASS) DESCONTINUADO
28	23001523	HOSE, CONNECTION DESCONTINUADO
29	23002197	NUT DESCONTINUADO
30	23001312	NUT (M6) DESCONTINUADO
31	23001115	INSULATION PAPER DESCONTINUADO
32	23002913	LABEL, TERMINAL (S/P)
33	23002196	SWIVEL, CABLE DESCONTINUADO
34	23003502	SWITCH, MAIN (63A) DESCONTINUADO

34	23002916	SWITCH, MAIN (80A) DESCONTINUADO
34	23002914	SWITCH, MAIN (20A) DESCONTINUADO
34	23002915	SWITCH, MAIN (32A) DESCONTINUADO
35	23002212	NUT DESCONTINUADO
36	23002917	SWIVEL (S/P)
37	23002243	PLUG, UNIVERSAL DESCONTINUADO
38	23002210	HOLDER, FUSE DESCONTINUADO
39	23001508	FUSE (1A) (S/P)
40	23002919	FUSE (5A) DESCONTINUADO
41	23001465	STICKER, ELECTRICITY WARNING DESCONTINUADO
42	23002920	PLATE, INDEX (FLASH) DESCONTINUADO
43	23002053	LABEL, WARNING VENT OUT (S/P)
44	23001473	STICKER (1A) (S/P)
45	23001014	NUT (M4) DESCONTINUADO
46	23001158	WASHER (M6) DESCONTINUADO
47	23002778	SCREW (M4 X 12) DESCONTINUADO
48	23002921	WASHER, FILL HOSE DESCONTINUADO
49	23001113	CONNECTOR HOUSING (4 POLE) DESCONTINUADO
50	23002922	FILTER DESCONTINUADO
51	23002923	BOARD, TERMINAL DESCONTINUADO
52	23002924	T-PART (3/4) DESCONTINUADO