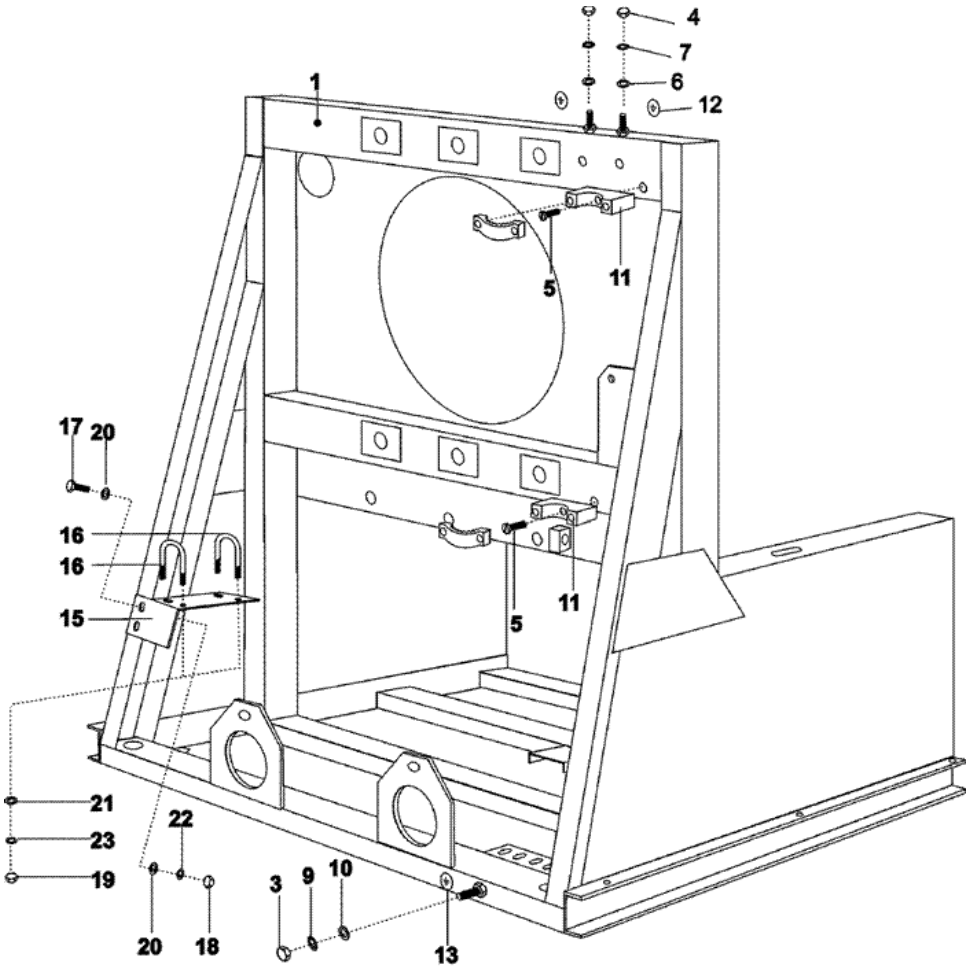


**MFR80PNCTS BASE FRAME**





## MFR80PNCTS BASE FRAME

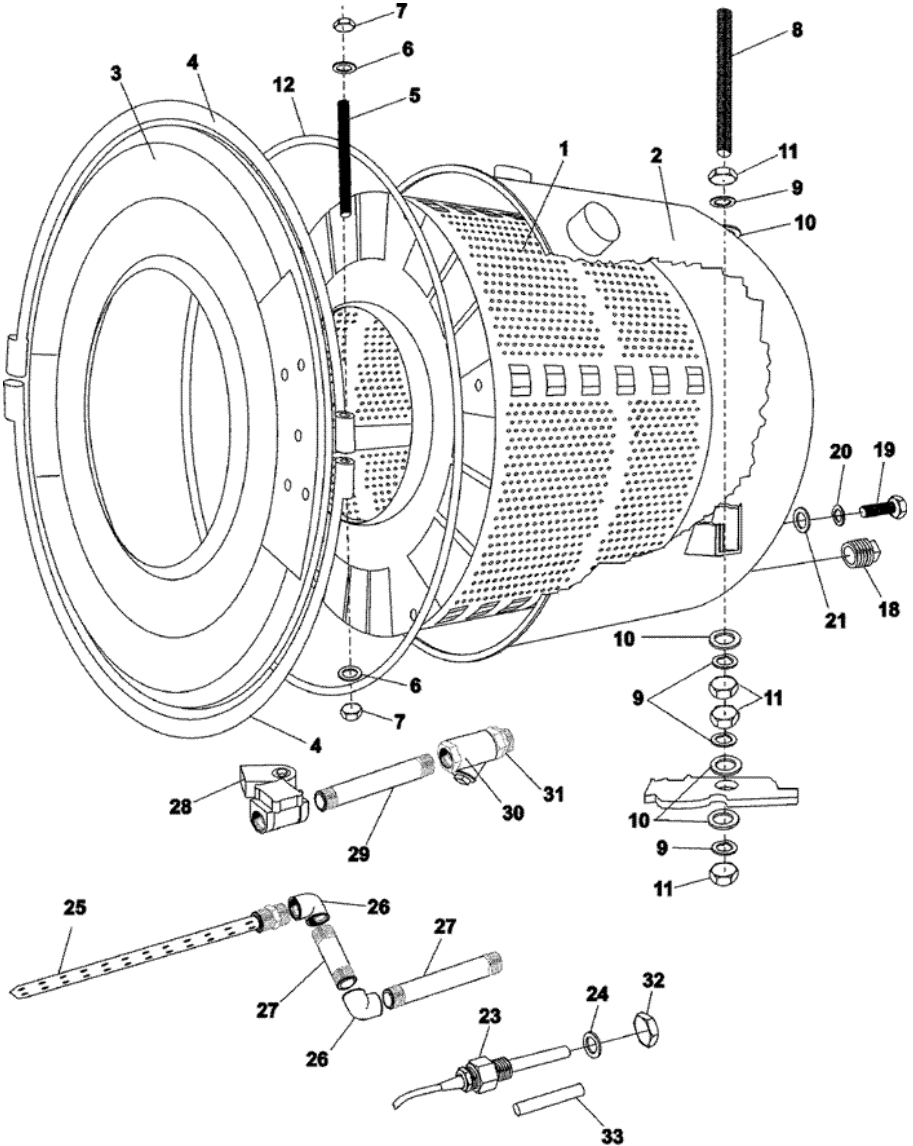
1	23004055	FRAME WELDED (S/P)
3	23002487	NUT (M8) (S/P)
4	23002280	NUT (M6) (S/P)
5	23002423	SCREW (M4 X 10) (S/P)
6	23002424	WASHER (S/P)
7	23002425	WASHER, LOCK (S/P)
9	23002427	WASHER, LOCK (M8) (S/P)
10	23001608	WASHER (M8) LU (S/P)
11	23002428	CLIP, CABLE (S/P)
12	23002505	PLATE, EARTH (S/P)
13	23002350	PLATE, INDEX <b>DESCONTINUADO</b>
15	23002432	HOLDER, STEAM VALVE (S/P)
16	23002433	HOLDER (S/P)
17	23002434	SCREW (M8 X 30) (S/P)
18	23003766	NUT M8 (S/P)
19	23003773	NUT M6 (S/P)
20	23001265	WASHER, SPRING LOCK (8) (S/P)
21	23002440	WASHER, SPRING LOCK (6) (S/P)
22	23002437	WASHER (M8) (S/P)
23	23002756	WASHER 12 (S/P)

Distribuidor Autorizado

**SurteRápido.com**

Venta de Refacciones  
Electrodomesticas

## MFR80PNCTS BASKET & OUTER

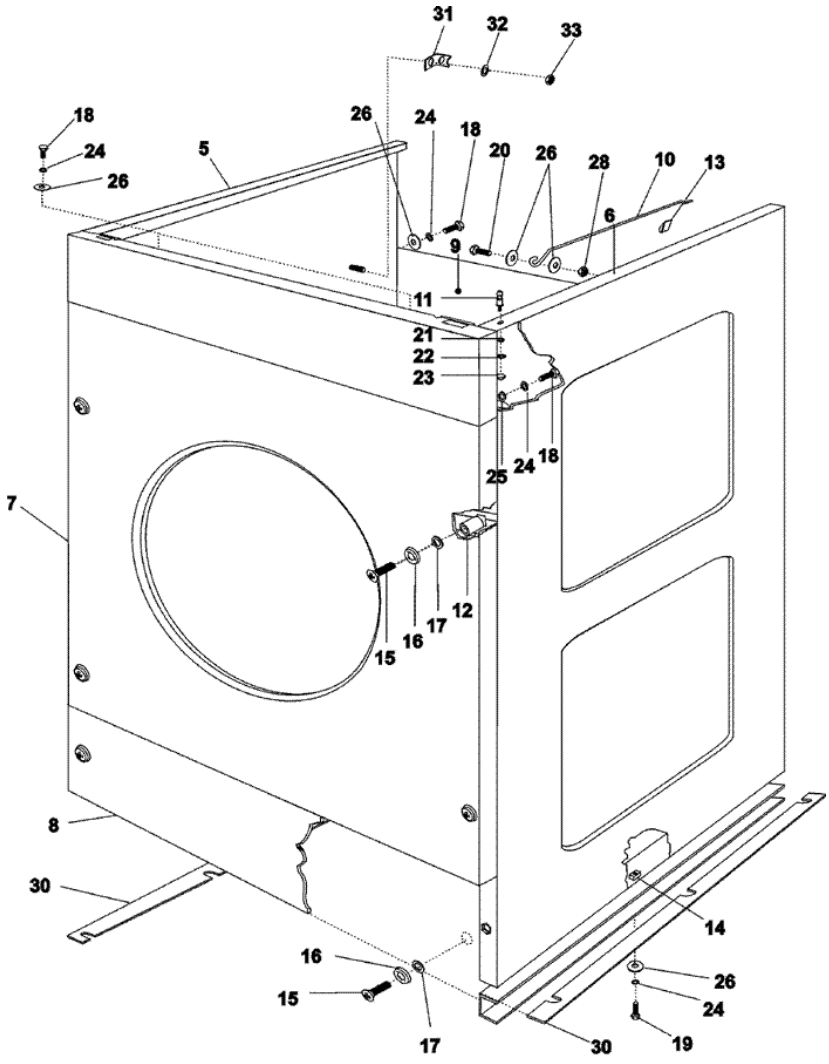




## MFR80PNCTS BASKET & OUTER

1	23003398	DRUM, COMPLETE (S/P)
2	23004056	OUTER TUB COMP (1 SOAP HOPPER) (S/P)
3	23004057	FRONT TUB PANEL COMPLETE (S/P)
4	23002484	CLIP <b>DESCONTINUADO</b>
5	23002486	BOLT (M8) (S/P)
6	23001608	WASHER (M8) LU (S/P)
7	23002487	NUT (M8) (S/P)
8	23003401	BOLT, ADJUSTING (S/P)
9	23003402	SPRING LOCK WASHER 16 DIN 127 (S/P)
10	23003403	WASHER 16BN 737 (S/P)
11	23004281	NUT M16 (S/P)
12	23002485	SEALING (S/P)
12	23004248	GASKET (S/P)
18	23002480	PLUG (3/4) (S/P)
19	23002421	SCREW (M8 X 15) (S/P)
20	23002427	WASHER, LOCK (M8) (S/P)
21	23001608	WASHER (M8) LU (S/P)
23	23003807	HOLDER THERMOSTAT SENSOR (S/P)
24	23002179	WASHER (S/P)
25	23003406	STEAM TUBE COMPLETE (S/P)
26	23003407	ELBOW 90 3/4`` (S/P)
27	23003408	TUBE 2 (S/P)
28	23004282	STEAM VALVE W/COIL (S/P)
29	23003409	TUBE 1 (S/P)
30	23003410	STEAM FILTER 3/4`` (S/P)
31	23003411	INSERT 3/4`` <b>DESCONTINUADO</b>
32	23002936	NUT, SENSOR BUSHING (S/P)
33	23003792	PLUG 6 DIAM. (S/P)
33	23003831	SENSOR, TEMPERATURE (S/P)

**MFR80PNCTS CABINET**





## MFR80PNCTS CABINET

5	23004268	PANEL, SIDE LH MFR80 (S/P)
6	23004269	PANEL, SIDE RH MFR80 (S/P)
7	23004271	PANEL, FRONT PN MFR80 (S/P)
8	23002449	PANEL (SERVICE) (S/P)
9	23002450	BACK PLATE / PANEL (S/P)
10	23001330	SUPPORT ROD, TOP PANEL (S/P)
11	23001332	PIN, SRV (S/P)
12	23002860	TUBE, DISTANCE (S/P)
13	23002454	HOOK (S/P)
14	23002455	NUT, RAPID (M6) (S/P)
15	23002456	SCREW (M6 X 50) (S/P)
16	23002457	WASHER (S/P)
17	23002458	WASHER (FIBER) (S/P)
18	23002182	BOLT (M6X16) <b>DESCONTINUADO</b>
19	23002462	SCREW (M6 X 20) LU (S/P)
20	23002463	SCREW (M6 X 30) (S/P)
21	23002862	WASHER (5, 3) (S/P)
22	23002836	WASHER (5) (S/P)
23	23002452	NUT (M4) LU (S/P)
24	23002440	WASHER, SPRING LOCK (6) (S/P)
25	23003778	WASHER 12 (S/P)
26	23001309	WASHER (S/P)
28	23001310	NUT (S/P)
30	23004272	SHIM (S/P)
31	23004232	BRACKET, CABLE (S/P)
32	23001573	WASHER (4.3) (S/P)
33	23002652	NUT (QTY OF 4 = 1 PIECE) (S/P)

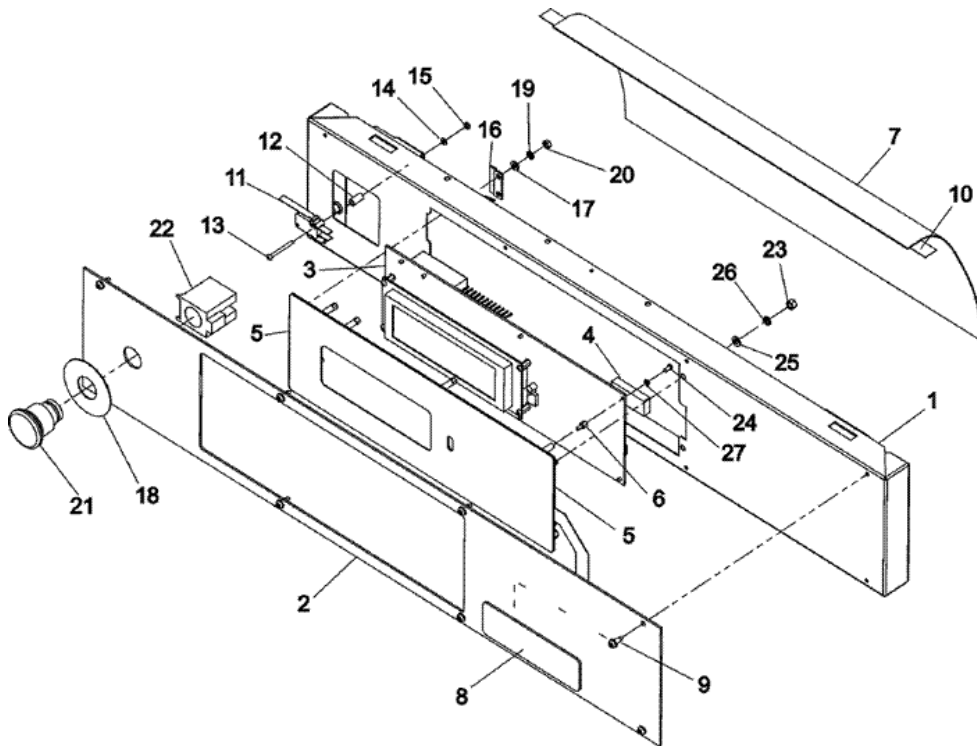
Distribuidor Autorizado

**SurteRápido.com**

Venta de Refacciones  
Electrodomesticas



## MFR80PNCTS CONTROL PANEL



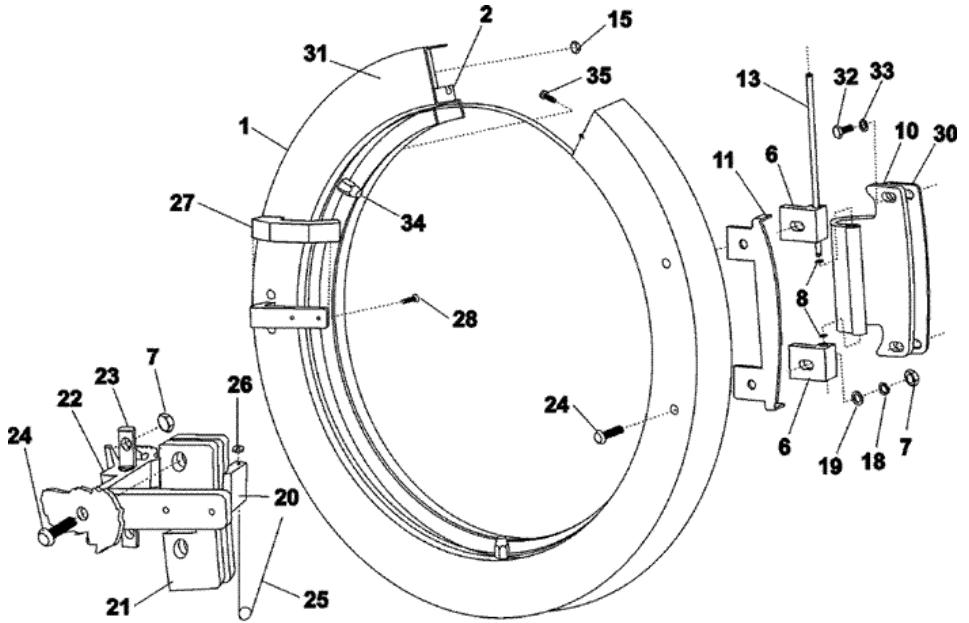


## MFR80PNCTS CONTROL PANEL

1	23004278	BRACKET, CNTRL PANEL MFR80 (S/P)
2	23004279	CONTROL PANEL(FACIA) (S/P)
3	23003991	MCG CONTROLLER (S/P)
4	23003992	MCG EEPROM CHIP LU (S/P)
5	23004133	KEY BOARD, FULL CONTROL (S/P)
6	23004134	SPACER M3XM5X3 (S/P)
7	23002877	COVER, PLASTIC (S/P)
8	23004135	MAYTAG LABEL <b>DESCONTINUADO</b>
9	23003810	SCREW (S/P)
10	23004126	DOUBLE SIDE TAPE (S/P)
11	23001145	MICROSWITCH, LONG LEVER (S/P)
12	23003653	TUBE (S/P)
13	23003652	SCREW, SWITCH (S/P)
14	23003654	WASHER (M3) (S/P)
15	23002958	NUT (M3) (S/P)
16	23003871	BRACKET, Z (S/P)
17	23002438	WASHER (M6) (S/P)
18	23002330	LABEL, CENTRAL STOP <b>DESCONTINUADO</b>
19	23002950	LOCKWASHER (M4) (S/P)
20	23003666	NUT (M4) (S/P)
21	23004136	STOP BUTTON EMERGENCY (S/P)
22	23004137	CONTACT BLOCK (S/P)
23	23002452	NUT (M4) LU (S/P)
24	23002869	SCREW (M3X6) (S/P)
25	23002862	WASHER (5, 3) (S/P)
26	23002836	WASHER (5) (S/P)
27	23002870	LOCKWASHER (M3) (S/P)
28	23004138	SOAP SUPPLY LABEL (S/P)
29	23004139	EMERGENCY STOP HARNESS (S/P)



**MFR80PNCTS DOOR**





## MFR80PNCTS DOOR

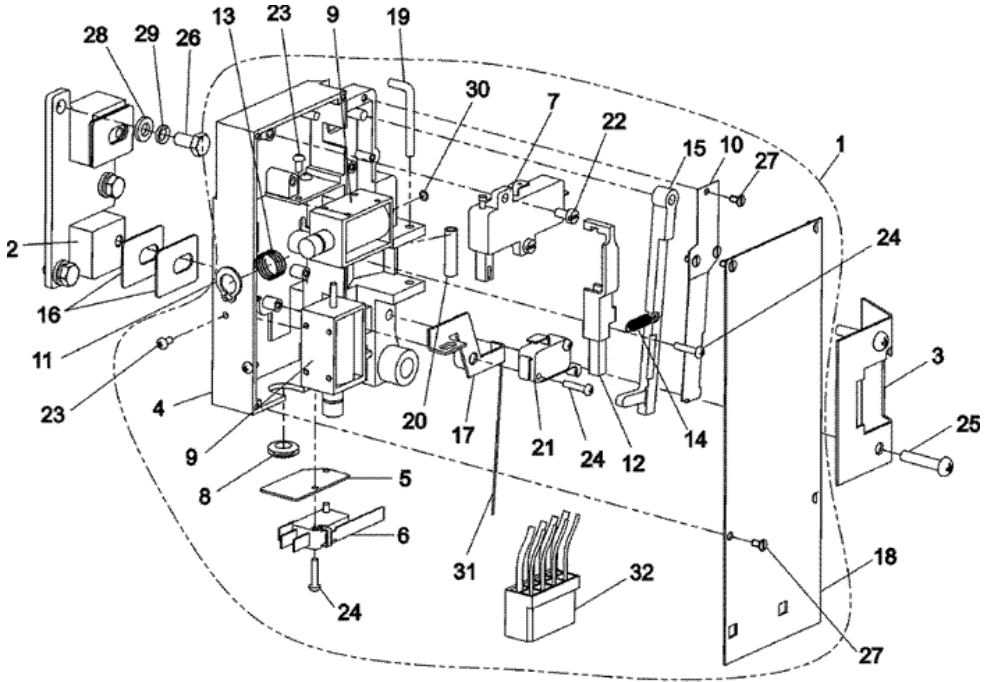
1	23004236	DOOR STICKED (S/P)
2	23003413	GASKET, DOOR (S/P)
6	23003545	BLOCS, HINGE LU (S/P)
7	23002280	NUT (M6) (S/P)
8	23002727	WASHER (8) LU (S/P)
10	23004235	HINGE, DOOR (S/P)
11	23004110	HINGE BLOOK WASHER (S/P)
13	23004112	DOOR PIN (S/P)
15	23002392	NUT (M6) <b>DESCONTINUADO</b>
18	23002130	WASHER (6) (S/P)
19	23002424	WASHER (S/P)
20	23001370	HANDLE, LEVER PLATE (S/P)
21	23003420	SPACER (S/P)
22	23003979	HANDLE RAIL (S/P)
23	23001168	SHAFT, LEVER (S/P)
24	23002937	SCREW (M6X26) (S/P)
25	23001169	SPRING, HANDLE LEVER (S/P)
26	23002499	WASHER (S/P)
27	23004239	HANDLE, DOOR (S/P)
28	23004113	BOLT M4 X 12 (S/P)
30	23004237	DOOR HINGE SHIM (S/P)
31	23004240	DOOR REINFORCEMENT (S/P)
32	23003419	SCREW M8X25 DIN 933 LU (S/P)
33	23001608	WASHER (M8) LU (S/P)
34	23004238	NUT M4 (S/P)
35	23003811	SCREW (S/P)

Distribuidor Autorizado

SurteRápido.com

Venta de Refacciones  
Electrodomesticas

## MFR80PNCTS DOOR LOCK





## MFR80PNCTS DOOR LOCK

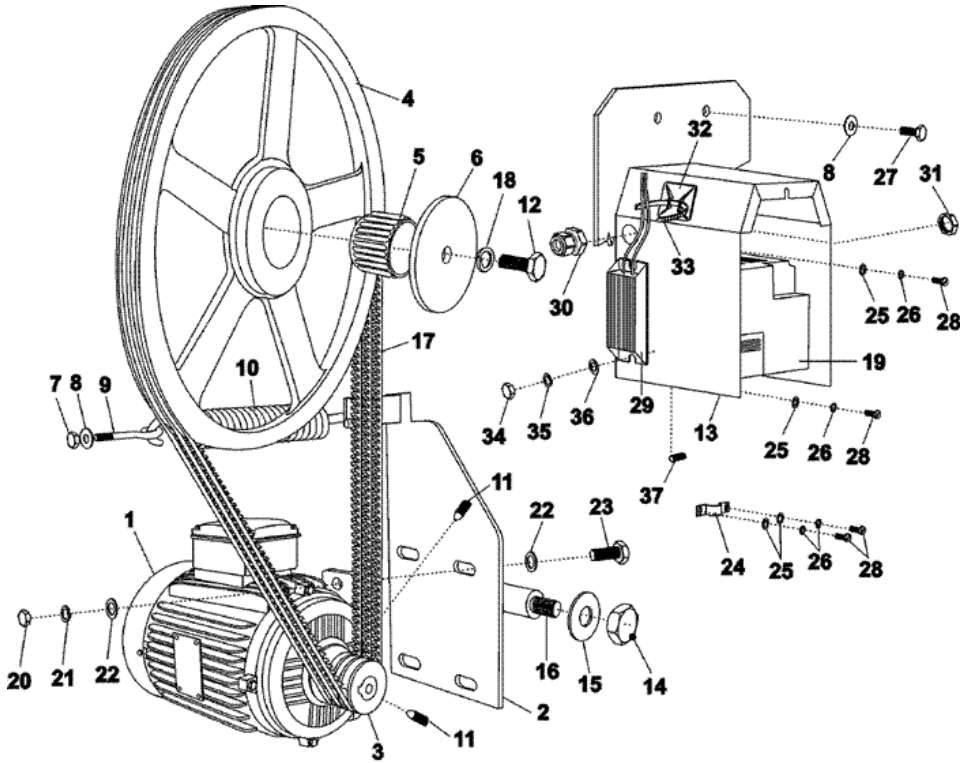
1	23002897	LOCK, DOOR (COMPLETE) <b>DESCONTINUADO</b>
2	23001156	SPACER, LOCK (S/P)
3	23004234	COVER, LOCK (S/P)
4	Y23002898	GROUND, PLATE LOCK (S/P)
5	23003863	PLATE, MICROSWITCH (S/P)
6	23001145	MICROSWITCH, LONG LEVER (S/P)
7	23001135	BIMETAL, ACTUATOR (230V) (S/P)
8	23002479	PASSAGE, CABLE (S/P)
9	23001146	COIL (240V) (S/P)
10	23001149	LEAF SPRING, LATCH BAR (S/P)
11	23001137	RING, RETAINING (G10) (S/P)
12	23001140	BAR, LOCKING (S/P)
13	23002903	SPRING, LOCKING PART (S/P)
14	23002900	SPRING, LOCKING PART (S/P)
15	23002899	HANDLE, LOCKING PART (S/P)
16	23001368	SHIM, HINGE BASE (S/P)
17	23002902	LEVEL, OPENING (S/P)
18	23001130	PLATE, COVER (STNLS STEEL) (S/P)
19	23001142	RETAINER, LOCK TUBE (DIA.4X45) (S/P)
20	23001143	LOCK TUBE (DIA. 4X23.5 STNLS) (S/P)
21	23002337	MICROSWITCH W/ ROLLER ARM
22	23003114	SCREW (M4X8) LU (S/P)
23	23002869	SCREW (M3X6) (S/P)
24	23003115	SCREW (M3X14) (S/P)
25	23003784	BOLT M5X25 STS STL (S/P)
26	23001157	SCREW (M6 X 12) (S/P)
27	23003113	SCREW (M3X6) (S/P)
28	23002424	WASHER (S/P)
29	23001158	WASHER (6) (S/P)
30	23001136	WASHER (DIA. 5.1 X 3.3 X 0.1) (S/P)
31	23001152	CORD, OPENING (S/P)
32	23002905	WIRING, DOOR LOCK (S/P)

Distribuidor Autorizado

SurteRápido.com

Venta de Refacciones  
Electrodomesticas

## MFR80PNCTS MOTOR





## MFR80PNCTS MOTOR

1	23004086	MOTOR 240V 3PHASE (S/P)
2	23004283	PLATE, MOTOR (S/P)
3	23004284	V-PULLEY, MOTOR (S/P)
4	W10127002	PULLEY SPINMOTOR 60HZ X43 (S/P)
5	23001274	RING, TOLERANCE (S/P)
6	23001281	WASHER (DIA. 90 X 10) (S/P)
7	23001266	NUT M8 (S/P)
8	23001203	WASHER M8 (S/P)
9	23004255	BOLT M8X80 (S/P)
10	23004256	SPRING (S/P)
11	23002930	SCREW, SOCKET SET (M6X6) (S/P)
12	23001293	BOLT (M14 X 50) (S/P)
13	23004017	SHEILD FREQ INVERTOR (S/P)
14	23003935	NUT M20 (S/P)
15	23004285	WASHER M20 (S/P)
16	23004286	SHAFT, MOTOR PLATE (S/P)
17	23003854	V-BELT (60 HZ) LU (S/P)
18	23002792	WASHER (14) (S/P)
19	23004288	CABLE, CUMMUNICATION (S/P)
19	23004019	FILTER, FREQ INVERTOR (S/P)
19	23004220	FAN, INVERTER (S/P)
19	23003986	INVERTER E520S-2.2KW (S/P)
20	23003676	NUT (M12) (S/P)
21	23002658	WASHER (12) (S/P)
22	23001292	WASHER (13) (S/P)
23	23003079	SCREW (M12X40) (S/P)
24	23004021	CABLE SOCKET (S/P)
25	23001708	WASHER (5, 3) (S/P)
26	23002836	WASHER (5) (S/P)
27	23001264	BOLT (M8X20) (S/P)
28	23004022	BOLT M5X10 (S/P)
29	23004024	BRAKE RESISTOR 240V (S/P)
30	23002196	SWIVEL, CABLE (S/P)

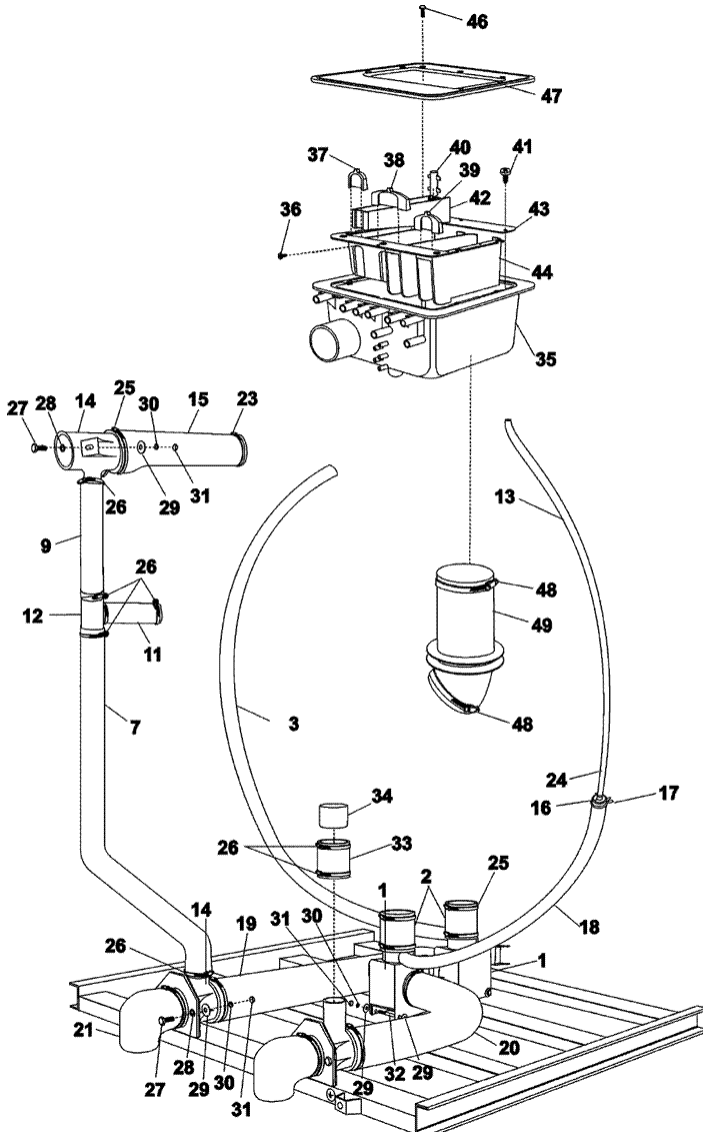
31	23002197	NUT (S/P)
32	23002048	CUSHION, SELF-ADHESIVE (S/P)
33	23002986	STRIP, BINDING (S/P)
34	23001014	NUT (M4) (S/P)
35	23002504	WASHER (S/P)
36	23002950	LOCKWASHER (M4) (S/P)
37	23002650	SCREW (M6 X 12) (S/P)

Distribuidor Autorizado

SurteRápido.com

Venta de Refacciones  
Electrodomesticas

## MFR80PNCTS SOAP BOX







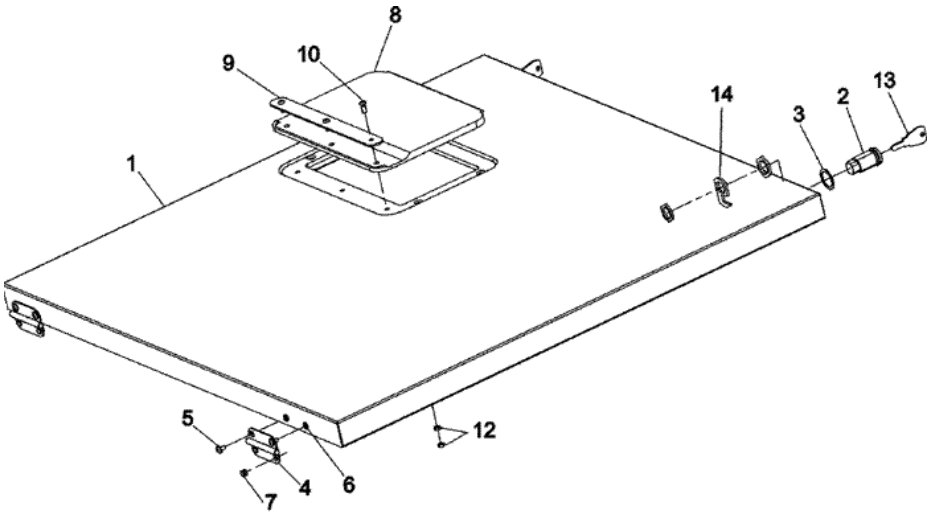
**MFR80PNCTS SOAP BOX**

1	23001244	VALVE, DRAIN (240V-50/60HZ)
2	23003372	HOSE, OUTLET VALVE (S/P)
3	23001246	HOSE, BOTTOM FILL (S/P)
7	23003375	HOSE, OVERFLOW 1 (S/P)
9	23004274	OVERFLOW HOSE (S/P)
11	23003379	HOSE, OVERFLOW 5 (S/P)
12	23001255	TEE, OVERFLOW HOSE (S/P)
13	23001252	HOSE, WATER LEVEL SWITCH (S/P)
14	23001253	DRAIN TEE (S/P)
15	23004241	AIR VENT HOSE, SOAP BOX (S/P)
16	23001260	BUSHING, AIR DOME HOSE (S/P)
17	23001259	CLAMP, CORBIN (A17.5) (S/P)
18	23003380	ELBOW (S/P)
19	23003381	ELBOW, OUTLET 1 (S/P)
20	23003382	ELBOW, OUTLET 2 (S/P)
21	23002015	ELBOW (90 DEGREE) (S/P)
23	34001289	CLAMP, HOSE (60-80) (S/P)
24	23001257	CLAMP, CORBIN (A5.5) (S/P)
25	696392	CLAMP, HOSE (70-90) (S/P)
26	616099	CLAMP, HOSE (32-50) (S/P)
27	23001264	BOLT (M8X20) (S/P)
28	23001203	WASHER M8 (S/P)
29	23002437	WASHER (M8) (S/P)
30	23001265	WASHER, SPRING LOCK (8) (S/P)
31	23001266	NUT M8 (S/P)
32	23002908	SCREW (M8X120) (S/P)
33	23003375	HOSE, OVERFLOW 1 (S/P)
34	23004275	CAP (S/P)
35	23001016	SOAP BOX HOUSING (S/P)
36	23003783	SCREW 2 (S/P)
37	23001023	DRAWER, LAST RINSE (S/P)
38	23001022	DRAWER, MAIN WASH (S/P)
39	23001021	DRAWER, PREWASH (S/P)

40	23001018	SIPHON (S/P)
41	23003782	SCREW 3 STAINLESS STEEL LU (S/P)
42	23001019	TRAY (S/P)
43	23001020	COVER, PLATE (S/P)
44	23001017	SOAP BOX INSERT (S/P)
46	23003484	SCREW (M5X16) (S/P)
47	23001015	RUBBER SEAL, SOAP BOX (S/P)
48	23001025	CLAMP, HOSE (DIA 90/110) (S/P)
49	23004115	RUBBER, TUB SOAP HOPPER (S/P)



# MFR80PNCTS TOP COVER

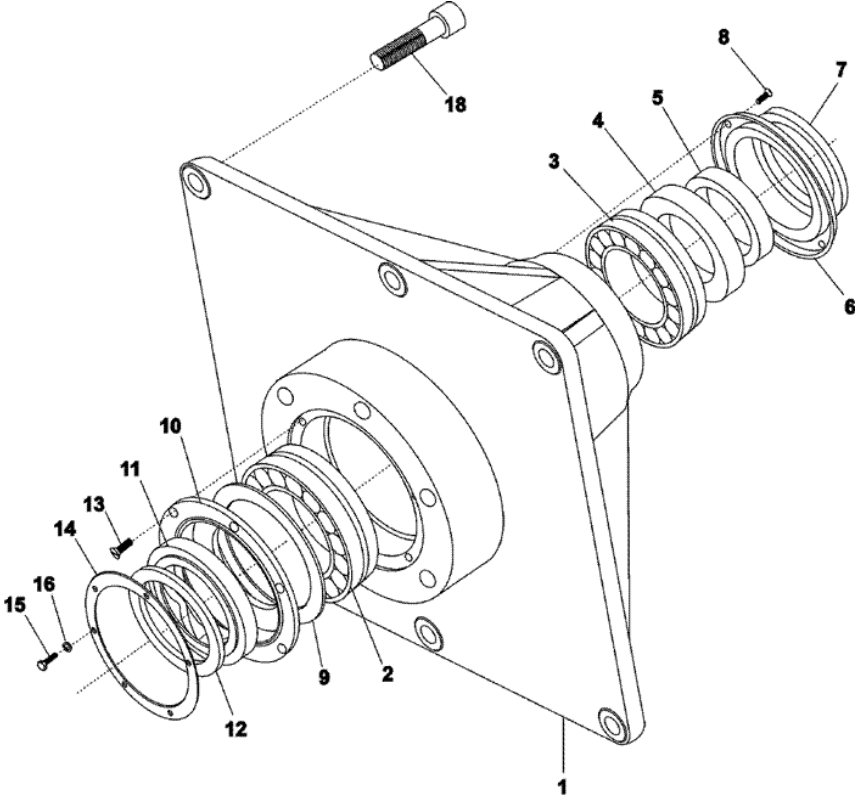




## MFR80PNCTS TOP COVER

1	23004273	TOP COVER MFR80 (S/P)
2	23001006	LOCK, TOP PANEL (S/P)
3	23001007	WASHER, FIBER (S/P)
4	23004103	HINGE (S/P)
5	23004104	BOLT M4 X 8 (S/P)
6	23004093	RIVETING BLIND NUT M4 (S/P)
7	23004105	RIVET 4X6, 3 (S/P)
8	23001003	RUBBER COVER, SOAP BOX (S/P)
9	23003781	LACTH, SOAP HOPPER COVER (S/P)
10	23001012	SCREW (M4 X 12 STNLS STEEL) (S/P)
12	23002652	NUT (QTY OF 4 = 1 PIECE) (S/P)
13	23002673	KEY-TOP PANEL (25001) (S/P)
14	23001009	LOCK HOOK (SHORT) (S/P)

**MFR80PNCTS TRUNNION**





**MFR80PNCTS TRUNNION**

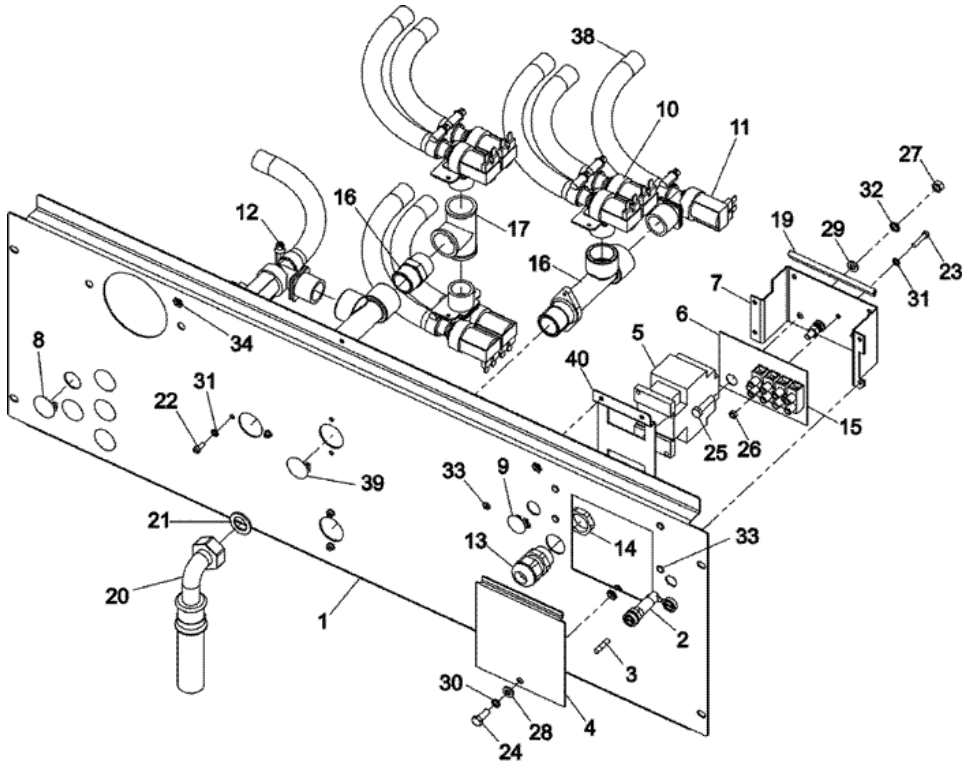
1	23003425	TRUNNION (S/P)
2	23001210	FRONT BEARING (S/P)
3	23001211	REAR BEARING (S/P)
4	23002974	RING, DISTANCE (STNLS) (S/P)
5	23004290	RING, BUSHING BRAGS (S/P)
6	23001221	SEAL, AXIAL HOLDER (S/P)
7	23001220	SEAL, AXIAL (S/P)
8	23002649	SCREW (M6 X 10) (S/P)
9	23001216	SHEILD BEARING (S/P)
10	23003426	HOLDER AXIAL SEAL (S/P)
11	23001213	WATER SEAL (S/P)
12	23001212	SEAL RING (S/P)
13	23001372	SCREW (M4 X 8 STNLS STEEL) (S/P)
14	23003427	FIXATING RING ST. STEEL (S/P)
15	23003354	BOLT (M10X25) (S/P)
16	23001201	WASHER (DIA. 22X11X1 BRASS) (S/P)
18	23004291	BOLT M16 X 80 (S/P)

Distribuidor Autorizado

**SurteRápido.com**

Venta de Refacciones  
Electrodomesticas

## MFR80PNCTS WATER VALVE





## MFR80PNCTS WATER VALVE

1	23004289	PANEL, REAR (S/P)
2	23001462	HOLDER, FUSE (S/P)
3	23001508	FUSE (1A) (S/P)
4	23003661	TERMINAL COVER LU (S/P)
5	23003750	CONTACTOR LC1 DO9 (S/P)
6	23004159	ELECTRO-INSUL FOIL (S/P)
7	23004160	TERM BOARD BOX (S/P)
8	23002795	PLUG (S/P)
9	23003785	PLUG (S/P)
10	23001455	VALVE, TWO WAY (220V 50/60HZ)
11	23001534	VALVE, ONE WAY (230V 50/60HZ) (S/P)
12	596669	CLAMP, HOSE (S/P)
13	23002196	SWIVEL, CABLE (S/P)
14	23002197	NUT (S/P)
15	23002923	BOARD, TERMINAL (S/P)
16	23002924	T-PART (3/4) (S/P)
17	23001485	TEE, 3/4`` PIPE THREAD (BRASS) (S/P)
18	23001482	NIPPLE (3/4`` PIPE THREAD) (S/P)
19	23002473	RUBBER, PROTECTIVE (S/P)
20	23001523	HOSE, CONNECTION (S/P)
21	23002921	WASHER, FILL HOSE (S/P)
22	23001361	SCREW (M4 X 10) (S/P)
23	23002807	SCREW (M4 X 20) <b>DESCONTINUADO</b>
24	23002461	SCREW (M6 X16) (S/P)
25	23002806	SCREW (M6 X 25) (S/P)
26	23001014	NUT (M4) (S/P)
27	23001312	NUT (M6) (S/P)
28	23002438	WASHER (M6) (S/P)
29	23002440	WASHER, SPRING LOCK (6) (S/P)
30	23004262	WASHER 6, 4 (S/P)
31	23004263	WASHER M4 (S/P)
32	23004264	WASHER M6 (S/P)
33	23002362	RIVET W/CRANK (S/P)



34	23002425	WASHER, LOCK <b>(S/P)</b>
38	23001507	WATERHOSE (GREEN) <b>(S/P)</b>
39	23001476	PLUG, WATER INLET <b>(S/P)</b>
40	23004161	BRACKET, CONTACTOR <b>(S/P)</b>
40	23004127	EMEREGENCY STOP INTERCONNECT <b>(S/P)</b>
41	23004265	HARNESS, MAIN <b>(S/P)</b>
41	23004139	EMERGENCY STOP HARNESS <b>(S/P)</b>
42	23004266	MOTOR CABLE <b>(S/P)</b>
42	23004164	CONNECTOR LIQ SOAP LU <b>(S/P)</b>
42	23004163	DOOR LOCK HARNESS <b>(S/P)</b>
43	23004210	COMMUNICATION CABLE <b>(S/P)</b>