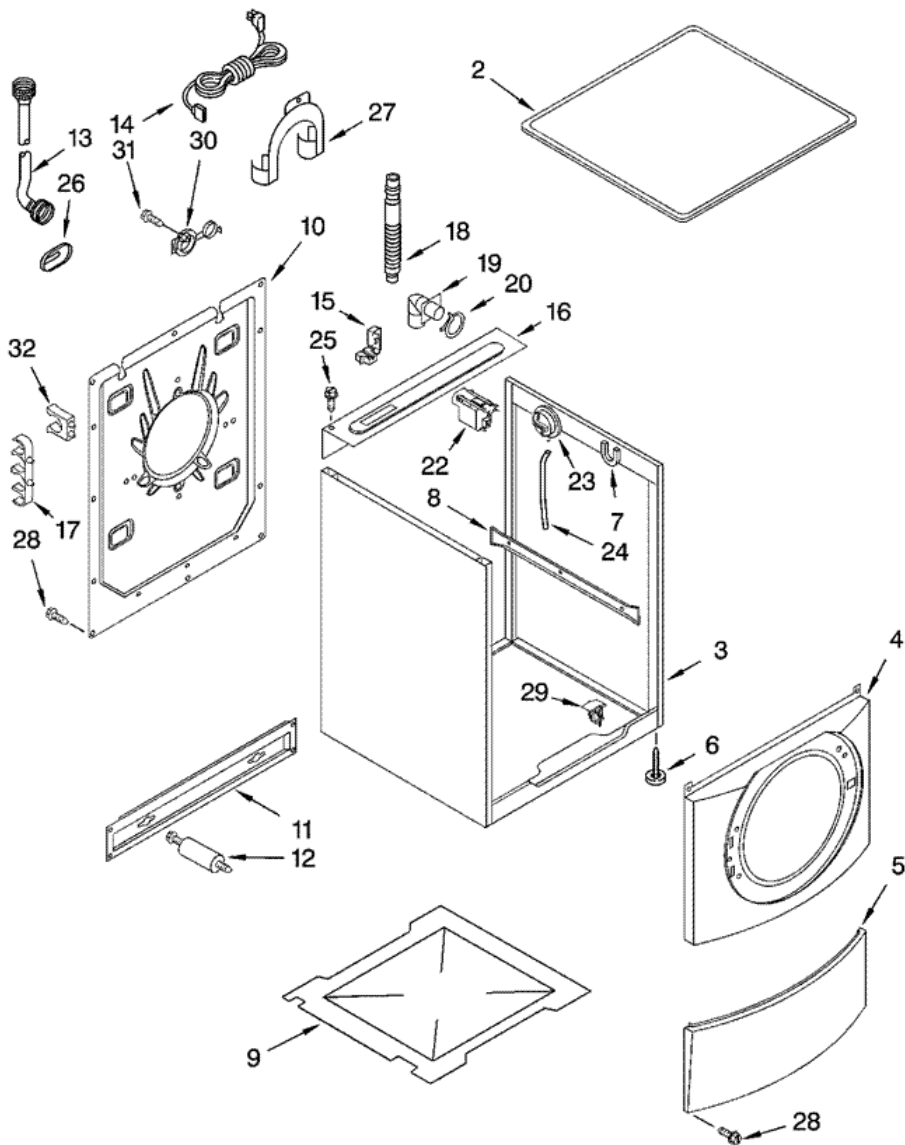


Distribuidor Autorizado

SurteRápido.com

Venta de Refacciones
Electrodomesticas

MFW9600SQ0 GABINETE





MFW9600SQ0 GABINETE

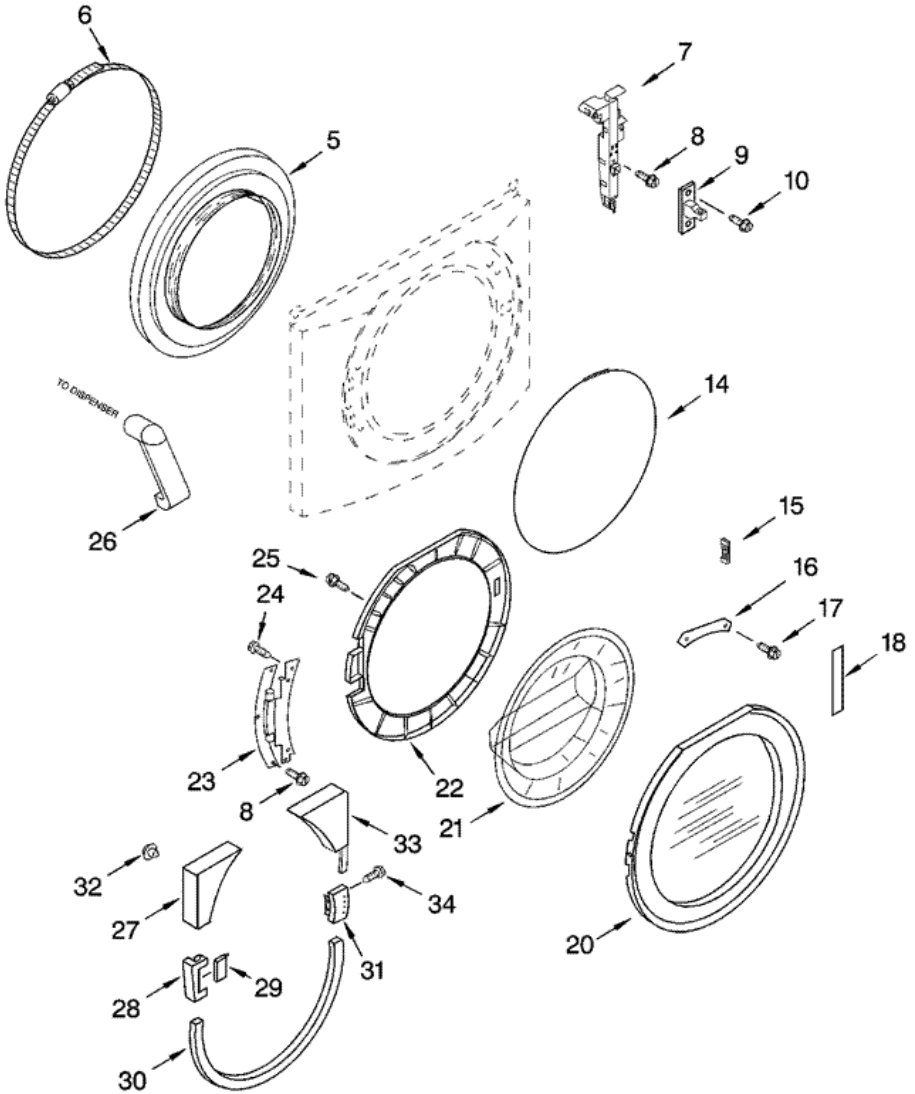
| | | |
|----|-----------|----------------------------------|
| 2 | 8181641 | TOP (S/P) |
| 3 | 8182609 | CABINET (S/P) |
| 4 | 8182605 | PANEL, FRONT (S/P) |
| 5 | 8181643 | TOE PANEL (S/P) |
| 6 | 8181636 | FOOT, LEVELING (S/P) |
| 7 | 8181763 | BRACKET, SPRING (S/P) |
| 8 | 8183008 | BRACE, SIDE PANEL (S/P) |
| 9 | 8181635 | PAN, BOTTOM (S/P) |
| 10 | 8182698 | PANEL, REAR (S/P) |
| 11 | W10003040 | BRACE, TRANSPORT (S/P) |
| 12 | W10289554 | BOLT, SHIPPING (UPPER) (S/P) |
| 12 | W10289554 | BOLT, SHIPPING (LOWER) (S/P) |
| 13 | 89503 | HOSE, WATER INLET (RED COUPLER) |
| 13 | 89503 | HOSE, WATER INLET (BLUE COUPLER) |
| 14 | 8183009 | CORD, POWER (S/P) |
| 15 | 8182635 | STRAIN RELIEF (S/P) |
| 16 | W10138248 | BRACE, REAR (S/P) |
| 17 | 8182701 | CLIP, DRAIN HOSE (S/P) |
| 18 | 8181737 | HOSE, DRAIN (OUTER) (S/P) |
| 19 | 8181738 | CONNECTOR, DRAIN HOSE (S/P) |
| 20 | 3367052 | CLAMP, HOSE (S/P) |
| 22 | W10326464 | FILTER, INTERFERENCE (S/P) |
| 23 | 8181695 | SWITCH, PRESSURE (S/P) |
| 24 | W10004260 | HOSE, PRESSURE SWITCH (S/P) |
| 25 | 8181691 | SCREW (S/P) |
| 26 | 8540268 | COVER, TRANSPORT (S/P) |
| 27 | W10280024 | STORAGE, HOSE (S/P) |
| 28 | 8181828 | SCREW (S/P) |
| 29 | W10085220 | MICROSWITCH (2) (S/P) |
| 30 | 8182699 | GROMMET, CORD SUPPORT (2) (S/P) |
| 31 | 8182201 | SCREW, 3 X 8 MM (S/P) |
| 32 | 8182109 | HARNESS CHANNEL (S/P) |
| 32 | 8182702 | CLIP, OUTER HOSE HOLDER (S/P) |

Distribuidor Autorizado

SurteRápido.com

Venta de Refacciones
Electrodomesticas

MFW9600SQ0 PUERTA





MFW9600SQ0 PUERTA

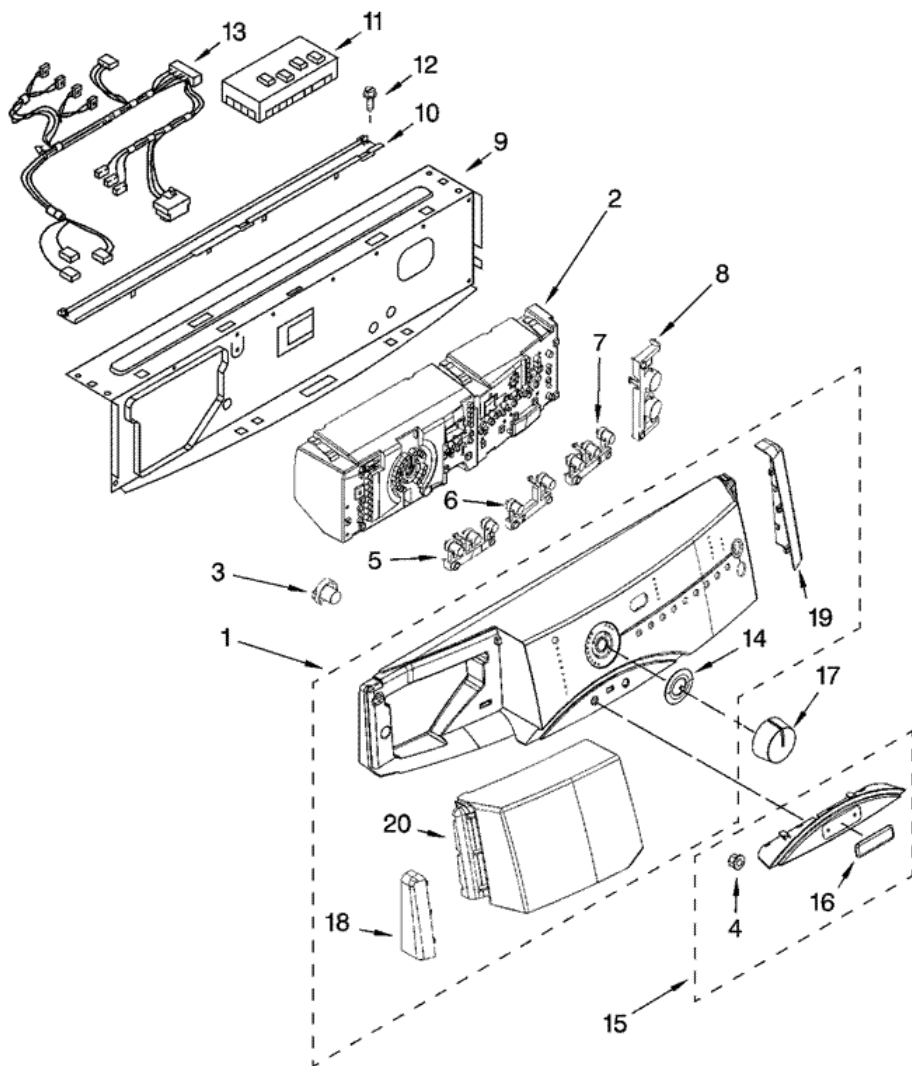
| | | |
|----|---------|---------------------------------|
| 5 | 8182119 | BELLOW (S/P) |
| 6 | 8182210 | CLAMP, BELLOW (REAR) (S/P) |
| 7 | 8182634 | LOCK, DOOR |
| 8 | 8181760 | SCREW (S/P) |
| 9 | 8181651 | HOOK, DOOR (S/P) |
| 10 | 8181758 | SCREW (S/P) |
| 14 | 8182211 | CLAMP, BELLOW (FRONT) (S/P) |
| 15 | 8181659 | CLAMP, SUPPORT (S/P) |
| 16 | 8181650 | CLAMP, GLASS (S/P) |
| 17 | 8181785 | SCREW (S/P) |
| 18 | 8182153 | FOAM, DOOR HANDLE (S/P) |
| 20 | 8183095 | DOOR FRAME ASSEMBLY (S/P) |
| 21 | 8181655 | GLASS, DOOR (S/P) |
| 22 | 8182793 | DOOR, BACK SUPPORT (S/P) |
| 23 | 8181843 | HINGE, DOOR |
| 24 | 8181660 | SCREW (S/P) |
| 25 | 8181661 | SCREW (S/P) |
| 26 | 8181718 | TUBE, DISPENSER TO BELLOW (S/P) |
| 27 | 8182592 | TRIM, UPPER LEFT (S/P) |
| 28 | 8182595 | COVER, HINGE (OUTER) (S/P) |
| 29 | 8182596 | COVER, HINGE (INNER) (S/P) |
| 30 | 8182594 | TRIM, LOWER (S/P) |
| 31 | 8182591 | HANDLE, DOOR (S/P) |
| 32 | 8182779 | CLIP, TRIM (S/P) |
| 33 | 8182593 | TRIM, UPPER RIGHT (S/P) |
| 34 | 8181759 | SCREW (S/P) |

Distribuidor Autorizado

SurteRápido.com

Venta de Refacciones
Electrodomesticas

MFW960SQ0 TABLERO





MFW9600SQ0 TABLERO

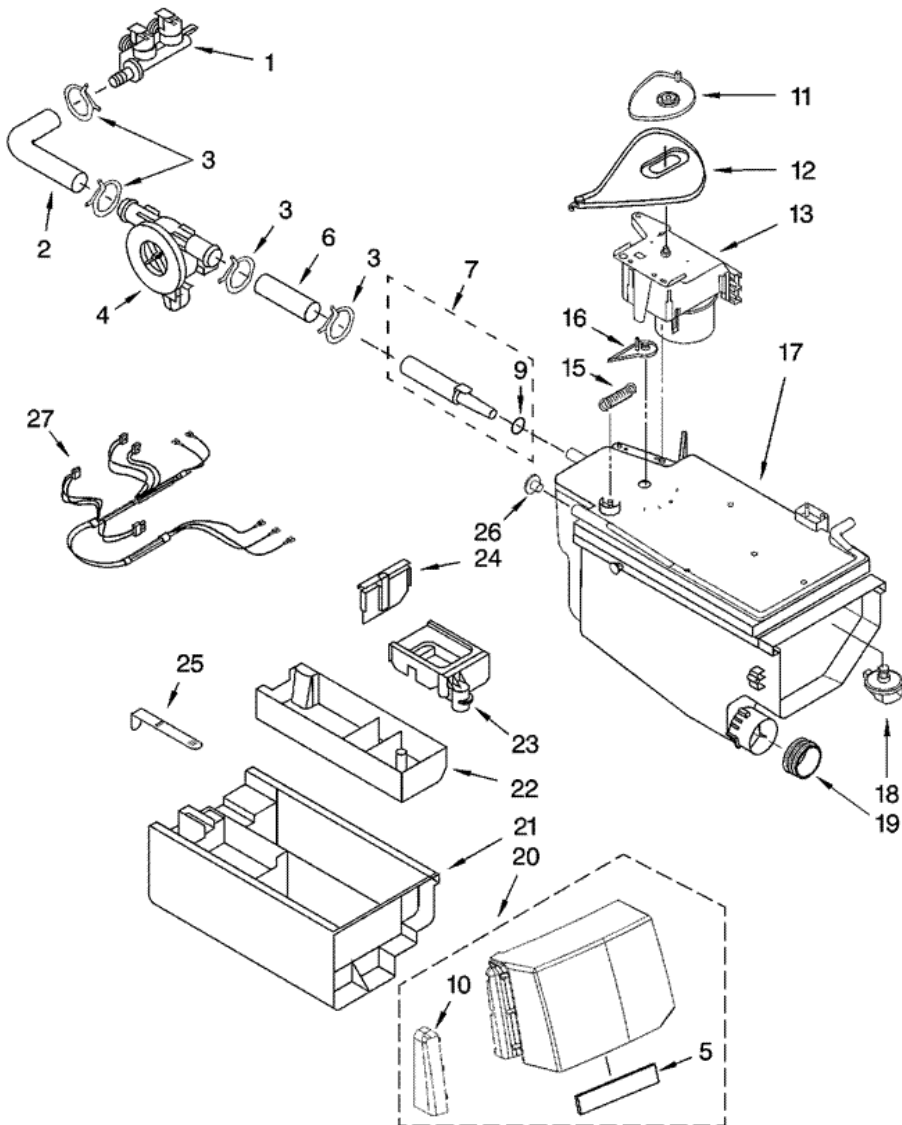
| | | |
|----|-----------|---|
| 1 | 8183082 | PANEL, CONTROL (S/P) |
| 2 | 8182150 | USER INTERFACE (S/P) |
| 3 | 8182601 | BUTTON, POWER (S/P) |
| 4 | 2004333 | PAL-NUT (S/P) |
| 5 | 8182804 | BUTTON SET, LEFT (S/P) |
| 6 | 8183084 | BUTTON SET, MIDDLE (S/P) |
| 7 | 8182602 | BUTTON SET, RIGHT (S/P) |
| 8 | 8182180 | BUTTON SET, START (S/P) |
| 9 | 8182224 | BRACE, FRONT TOP (S/P) |
| 10 | 8182800 | CHANNEL, WATER (S/P) |
| 11 | W10137701 | MICROCOMPUTER, MACHINE CONTROL (S/P) |
| 12 | 8181756 | SCREW (S/P) |
| 13 | 8182212 | HARNESS, WIRING (MAIN) (S/P) |
| 14 | 8182171 | BEZEL, KNOB (S/P) |
| 15 | 8183083 | OVERLAY, DOOR (S/P) |
| 16 | W10098820 | MEDALLION (S/P) |
| 17 | W10163301 | KNOB, CONTROL (S/P) |
| 18 | 8182599 | ENDCAP, LEFT (S/P) |
| 19 | 8182600 | ENDCAP, RIGHT (S/P) |
| 20 | 8183057 | HANDLE, DRAWER (INCLUDES ITEM 18) (S/P) |

Distribuidor Autorizado

SurteRápido.com

Venta de Refacciones
Electrodomesticas

MFW9600SQ0 DEPOSITO DETERGENTE





**MFW9600SQ0 DEPOSITO
DETERGENTE**

| | | |
|----|-----------|------------------------------------|
| 1 | 8182862 | VALVE, INLET (S/P) |
| 2 | 8181710 | HOSE, FLOWMETER (L-SHAPED) (S/P) |
| 3 | 489503 | CLAMP (S/P) |
| 4 | W10110225 | FLOWMETER |
| 5 | 8182173 | CUSHION, HANDLE (S/P) |
| 6 | 8181708 | HOSE, FLOWMETER (S/P) |
| 7 | 280194 | NOZZLE, INLET (S/P) |
| 9 | 280196 | O-RING (S/P) |
| 10 | 8182599 | ENDCAP (S/P) |
| 11 | 8181726 | CAM, ACTUATOR (S/P) |
| 12 | 8181725 | LEVER, WATER DISTRIBUTION (S/P) |
| 13 | 8181723 | ACTUATOR (S/P) |
| 15 | 8181727 | SPRING, LEVER (S/P) |
| 16 | 8181724 | CONNECTION, LEVER (S/P) |
| 17 | 280198 | DISPENSER (S/P) |
| 18 | 8181712 | NOZZLE, DISTRIBUTION (S/P) |
| 19 | 8181747 | SEAL (S/P) |
| 20 | 8183057 | HANDLE, DRAWER (S/P) |
| 21 | 8181720 | DRAWER, DETERGENT (S/P) |
| 22 | 8181722 | CONTAINER, DETERGENT (S/P) |
| 23 | 8182665 | SIPHON, BLEACH/SOFTENER (S/P) |
| 24 | 8181730 | SEPARATOR (S/P) |
| 25 | 8181721 | HOOK, DRAWER (S/P) |
| 26 | 8182123 | CAP (S/P) |
| 27 | 8183022 | HARNES, WIRING (INLET VALVE) (S/P) |

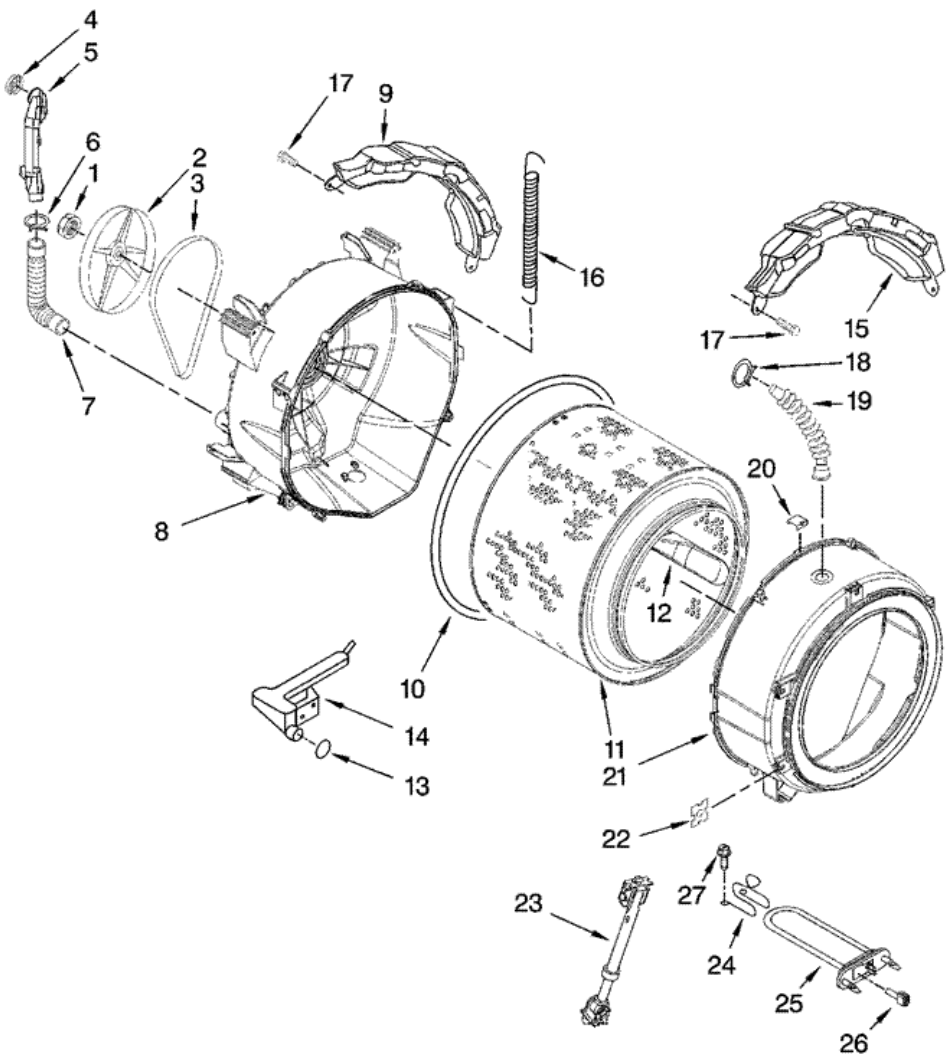
Distribuidor Autorizado



SurteRápido.com

Venta de Refacciones Electrodomesticas

MFW9600SQ0 TAMBOR

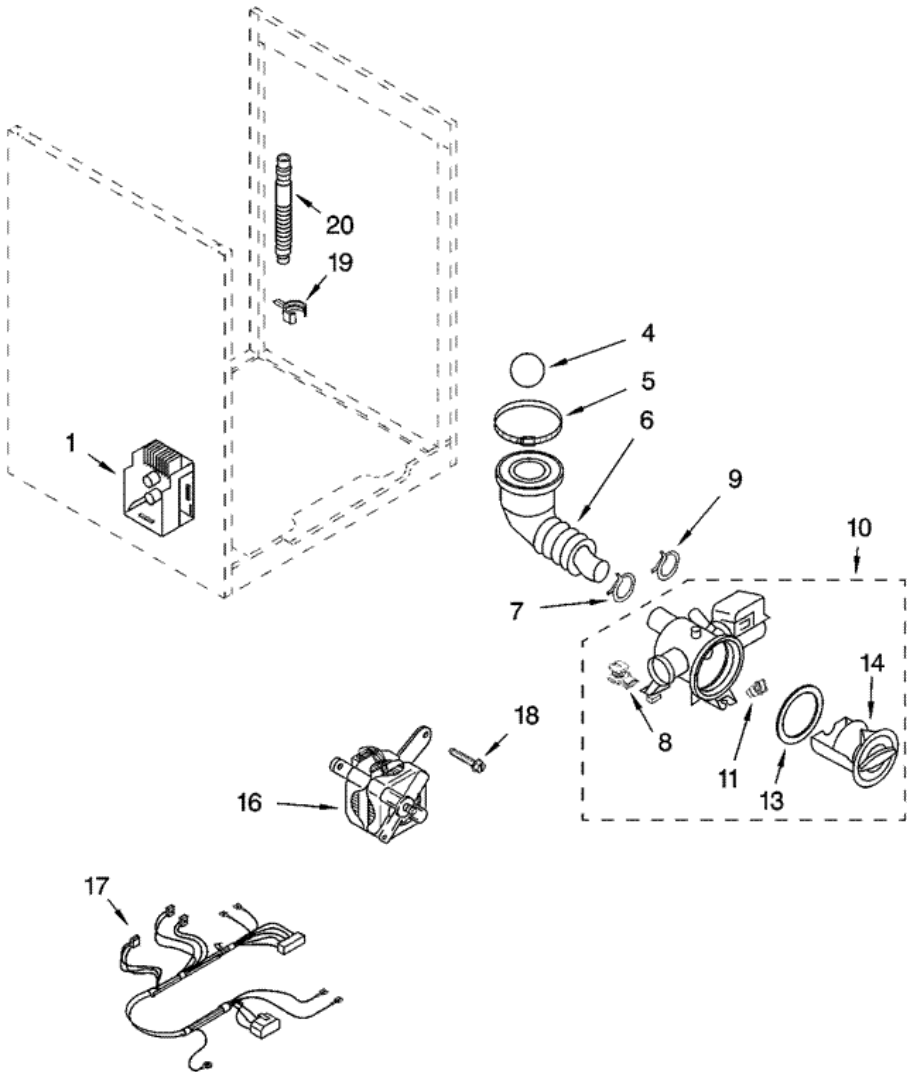




MFW9600SQ0 TAMBOR

| | | |
|----|-----------|--------------------------------|
| 1 | W10283361 | NUT, PULLEY (S/P) |
| 2 | 8182650 | PULLEY (S/P) |
| 3 | 8182633 | BELT |
| 4 | 8183030 | GRID, VENTILATION (S/P) |
| 5 | 8181744 | PIPE, VENTILATION (S/P) |
| 6 | W10208156 | CLAMP (S/P) |
| 7 | 8181743 | HOSE, EXHAUST (S/P) |
| 8 | W10253864 | TUB, REAR (S/P) |
| 9 | W10008870 | COUNTERWEIGHT, REAR (S/P) |
| 10 | 8181673 | GASKET, TUB (S/P) |
| 11 | W10250573 | BASKET (S/P) |
| 12 | 8182233 | BAFFLE, BASKET (S/P) |
| 13 | W10250553 | O-RING (S/P) |
| 14 | 8181731 | AIRTRAP (S/P) |
| 15 | W10008880 | COUNTERWEIGHT, FRONT (2) (S/P) |
| 16 | 8182814 | SPRING, SUSPENSION (S/P) |
| 17 | 8181647 | BOLT (S/P) |
| 18 | 3367052 | CLAMP (S/P) |
| 19 | 8181794 | HOSE, TUB TO DISPENSER (S/P) |
| 20 | 8540092 | CLAMP (S/P) |
| 21 | 285981 | TUB, FRONT (S/P) |
| 22 | 8182512 | NUT, PUSH-IN (S/P) |
| 23 | 8182812 | SHOCK ABSORBER (S/P) |
| 24 | W10250558 | CLAMP, HEATING ELEMENT (S/P) |
| 25 | 8182666 | ELEMENT, HEATING (S/P) |
| 26 | 8181705 | NTC (S/P) |
| 27 | 8182126 | SCREW, BAFFLE MOUNTING (S/P) |
| 27 | 8181687 | SCREW (S/P) |

MFW9600SQ0 MOTOR-BOMBA





MFW9600SQ0 MOTOR-BOMBA

| | | |
|----|-----------|-------------------------------|
| 1 | 8182706 | CONTROL UNIT (MOTOR) (S/P) |
| 4 | W10121657 | BALL (S/P) |
| 5 | 696392 | CLAMP (S/P) |
| 6 | 8181732 | HOSE, TUB TO PUMP |
| 7 | 285655 | CLAMP (S/P) |
| 8 | 8182820 | GROMMET, DAMPER (REAR) (S/P) |
| 9 | 3367052 | CLAMP (S/P) |
| 10 | 280187 | PUMP (COMPLETE) |
| 11 | 8182816 | GROMMET, DAMPER (FRONT) (S/P) |
| 13 | 8181736 | SEAL, FILTER CAP (S/P) |
| 14 | 8183027 | CAP, FILTER (S/P) |
| 16 | 8182793 | MOTOR (S/P) |
| 17 | W10137867 | HARNESS, MOTOR (S/P) |
| 18 | 8181761 | BOLT, MOTOR (S/P) |
| 19 | 8182209 | RETAINER, DRAIN HOSE (S/P) |
| 20 | W10003250 | DRAIN HOSE (INNER) |