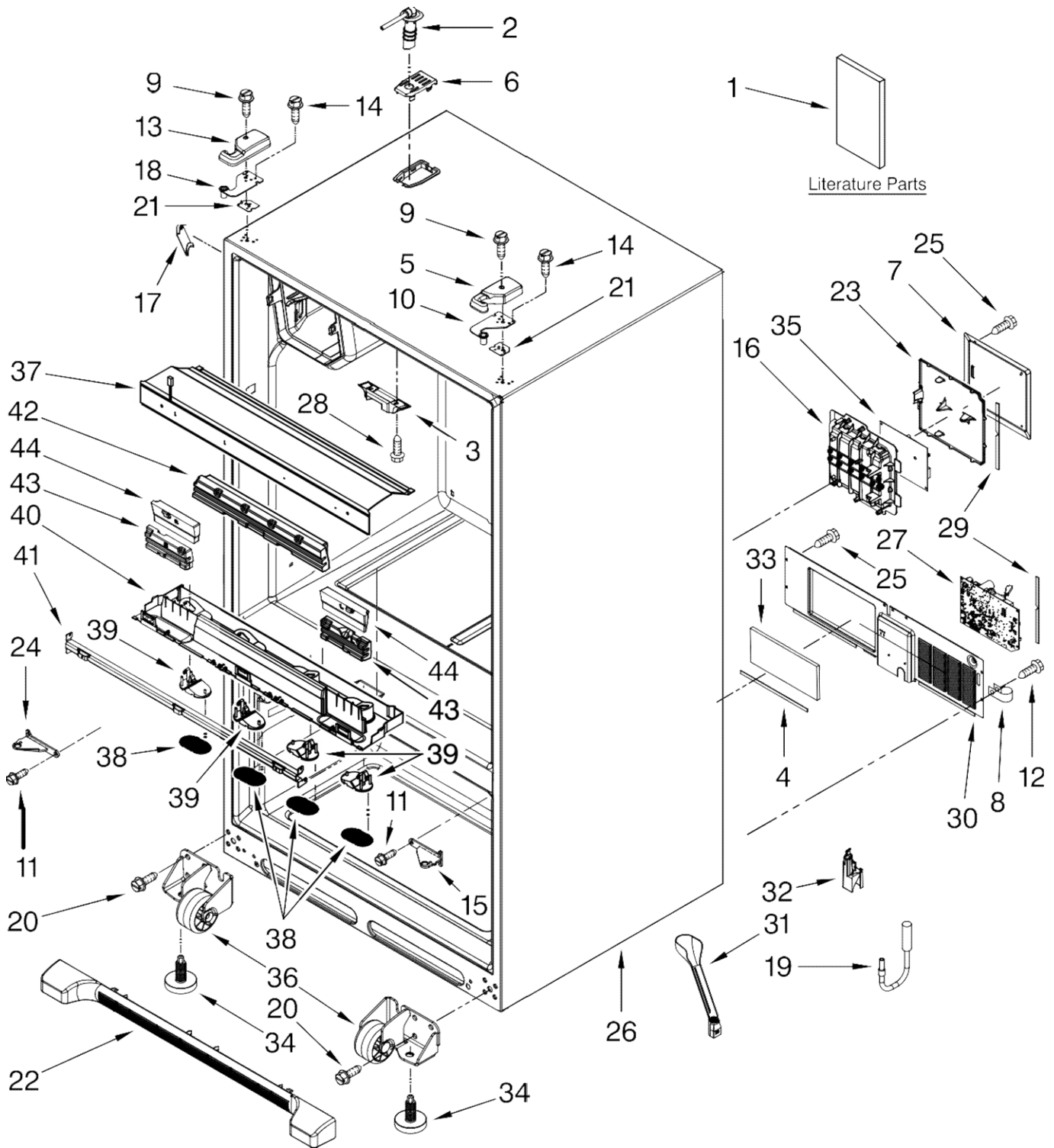


Refrigerador Maytag MFX2571XEM0



FOR ORDERING INFORMATION REFER TO PARTS PRICE LIST

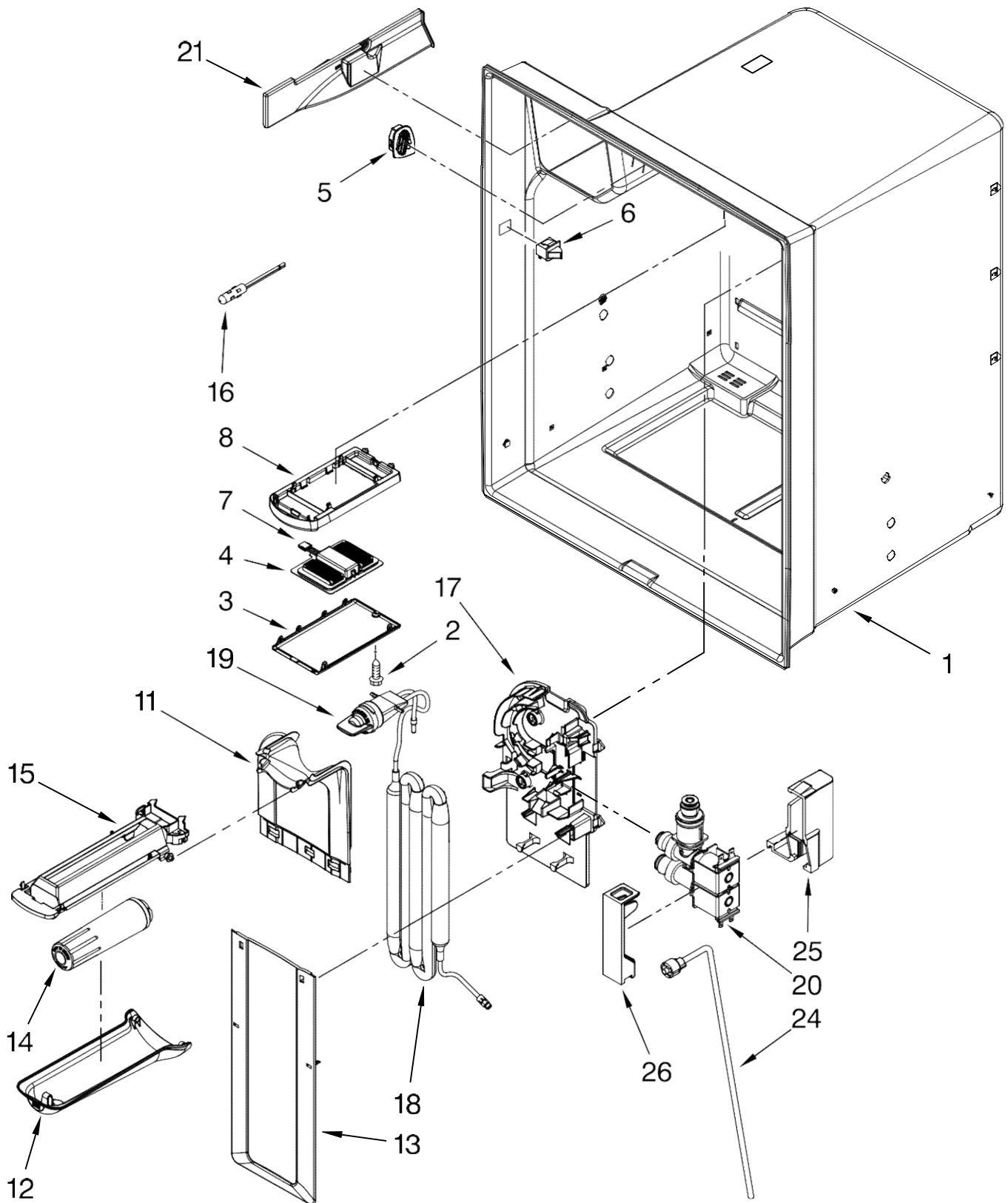


Refrigerador Maytag MFX2571XEMO

Illus. No.	Part No.	DESCRIPTION
1		Literature Parts W10295062 Tech Sheet W10294936 Use & Care Guide W10295091 Guide, Energy
2	12961401	Tube W/Waterline, Fill-IM
3	12698403	Block, Pivot
4	B5759655	Gasket, MC Back
5		Cover, Top Hinge (Right) 12962302W White 12962302B Black 12962302AP Apollo Grey
6		Cover, Fill Tube 12981401W White 12981401B Black 12981401AP Apollo Grey
7	12961602	Cover, Control Box
8	M0108107	Clamp, Tube
9	12992602	Screw, Hinge Cover
10	12963205ED	Hinge, TopRight
11	12992201	Screw, Center Hinge
12	12990511	Screw (3)

Illus. No.	Part No.	DESCRIPTION
13		Cover, Top Hinge (Left) 12962301W White 12962301B Black 12962301AP Apollo Grey
14	12992403	Screw, Top Hinge
15		Hinge, Center (RT) 13000002WD White 13000002ED Black 13000002AP Apollo Grey
16	W10285271	Box, HVControl
17		Cover, Corner (2) 12587703W White 12587703B Black 12587703AP Apollo Grey
18	12963204ED	Hinge, Top Left
19	W10223786	Waterline-Househd
20	12991302	Screw (8)
21		Shim, Top Hinge 12999501 Left 12999502 Right
22		Grille, Toe W10244559 White W10244561 Black W10244558 Apollo Grey
23	12957702K	Lid, HV Control
24		Hinge, Center (LT) 13000001WD White 13000001ED Black 13000001AP Apollo Grey

Illus. No.	Part No.	DESCRIPTION
25	12990702	Screw, Cover
26		Cabinet (Not A Servicable Part)
27	W10226427	Power Supply Modul
28	12990302	Screw, Block
29	12957801	Gasket-HC Cntrl-2
30	W10211858	Cover, MC Back
31	W10210988	Tube, Drain
32	W10236761	Cover-Water Valve
33	12820505	Fiber, Acoustic
34	W10141622	Brake, Foot
35	W10285198	Board, HVControl
36		Roller Assembly W10275849 Right W10275850 Left
37		Mullion-Incl.Heatr W10296390 White W10296395 Black W10296396 Apollo Grey
38	W10237349	Lens-Ice Box Cover
39	W10320778	Module LED Lights
40	W10311719	Housing-Module
41	W10323211	Brace-Mullion
42	W10311721	EPS SpacerBlock
43	W10316401	Spacer Wedge-L & R
44	W10316403	Spacer Wedge L & R

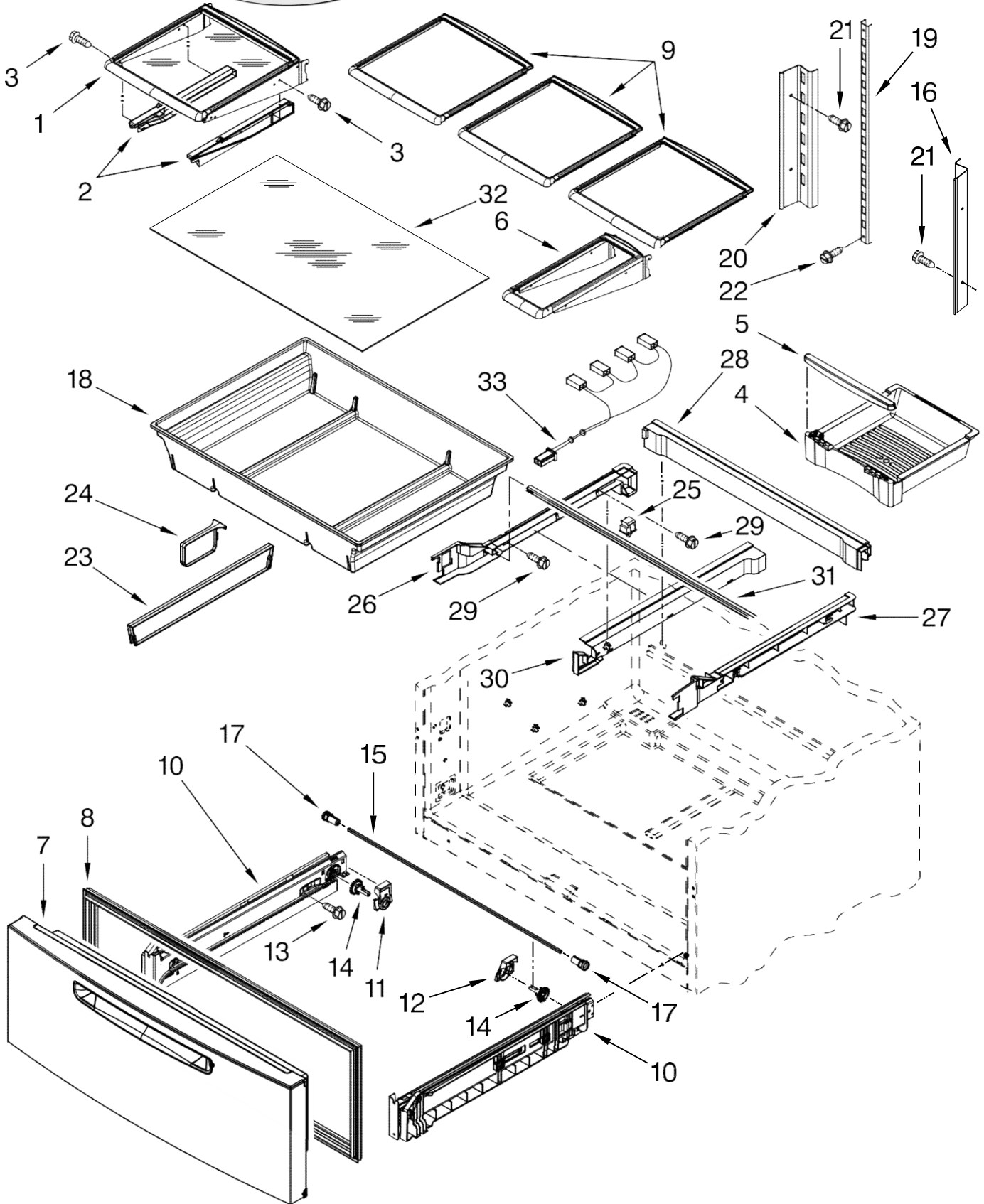


FOR ORDERING INFORMATION REFER TO PARTS PRICE LIST



## Refrigerador Maytag MFX2571XEM0

Illus. No.	Part No.	DESCRIPTION
1		Liner (Not A Serviceable Part)
2	12990204	Screw
3	W10311756	Lens-RC-LED
4	W10223894	Main LED Module
5	13008201	Grille, Air
6	12466103	Switch, Light (2)
7	W10284530	Harness-RC Lights
8	W10311734	Housing-RC-LED
11	12960101	Cover, Water Tank (Upper)
12	12960301	Lid, Water Filter
13	12960001	Cover, Water Tank (Lower)
14	UKF8001AXX	Filter, Water
15	12955901	Bracket, Filter Base
16	12791417SP	Thermistor
17	12956001	Bracket, Water Tank & Valve
18	W10296371	Water Tank & Head Assembly
19	12664501SP	Plug, Bypass
20	W10270395	Valve, Water Inlet
21	W10309869	Cover, Ice Box Harness
24	W10290356	Waterline, Cabinet (W/Nut)
25	W10118193	Cover Water Valve
26	W10118194	Lid, Enclosure

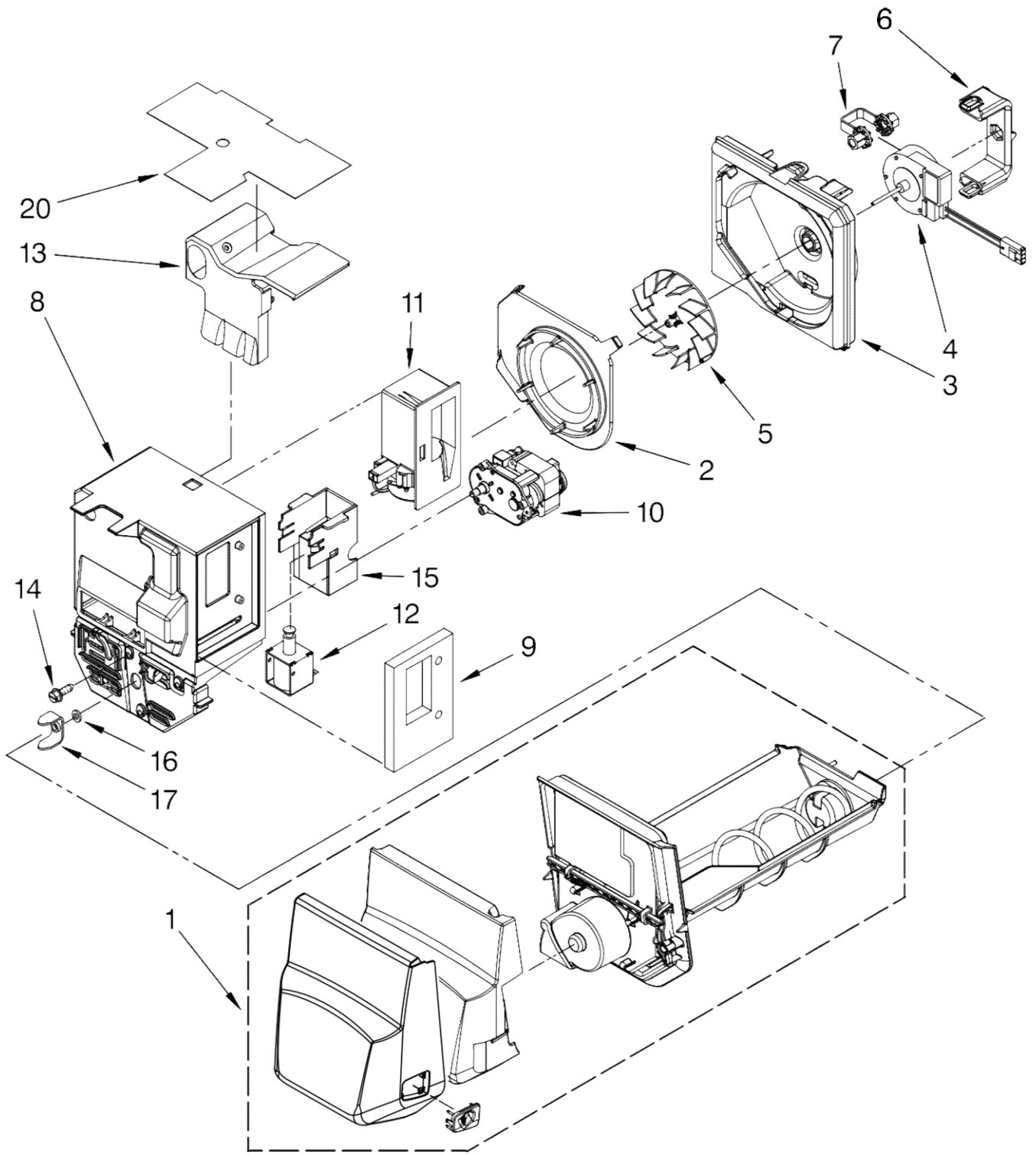


FOR ORDERING INFORMATION REFER TO PARTS PRICE LIST



## Refrigerador Maytag MFX2571XEM0

Illus. No.	Part No.	DESCRIPTION
1	12883508SP	Shelf-Glide
2	W10194031	Glide SnackPan-LH
	W10194032	Glide SnackPan-RH
3	12990302SP	Screw
4	W10319331	Pan-Snack
5	W10158455	Handle-Snack Pan
6	12885501	Shelf-Stat-Mini
7		Pantry Door
	13107102W	White
	13107102B	Black
	13107102S	Stainless
8		Gasket-Pantry
	W10294107	White
	W10294113	Black
	W10294114	Apollo Grey
9	12883507	Shelf, Glide (3)
10		Adapter-Pantry
	W10295155	Left
	W10295157	Right
11	W10277360	Gear Spur-L & R
12		Cover-Gear
	W10284709	Left
	W10294414	Right
13	W10272364	Screw
14	12991701	Screw
15	W10298176	Shaft-Rack
16	W10251965	Ladder, Side RH
17	W10277361	Collar-Gear
18	W10268846	Pan-Pantry-PO
19	W10273464	Ladder, Center
20	W10251968	Ladder, Side
21	12990513	Screw
22	12990515	Screw
23	W10285573	Divider-Pantry-Lrg
24	W10285594	Divider-Pantry-Sm
25	12466104	Switch-Rocker
26	W10311723	Rail-LH Pantry
27	W10311726	Rail-RH Pantry
28	W10311727	Rail-RearPantry
29	12990521	Screw
30	W10311725	Cover-LH Pantry
31	12227305	Brace-Pantry
32	W10296571	Glass-Pantry Shelf
33	W10284534	Harness-RC-LED



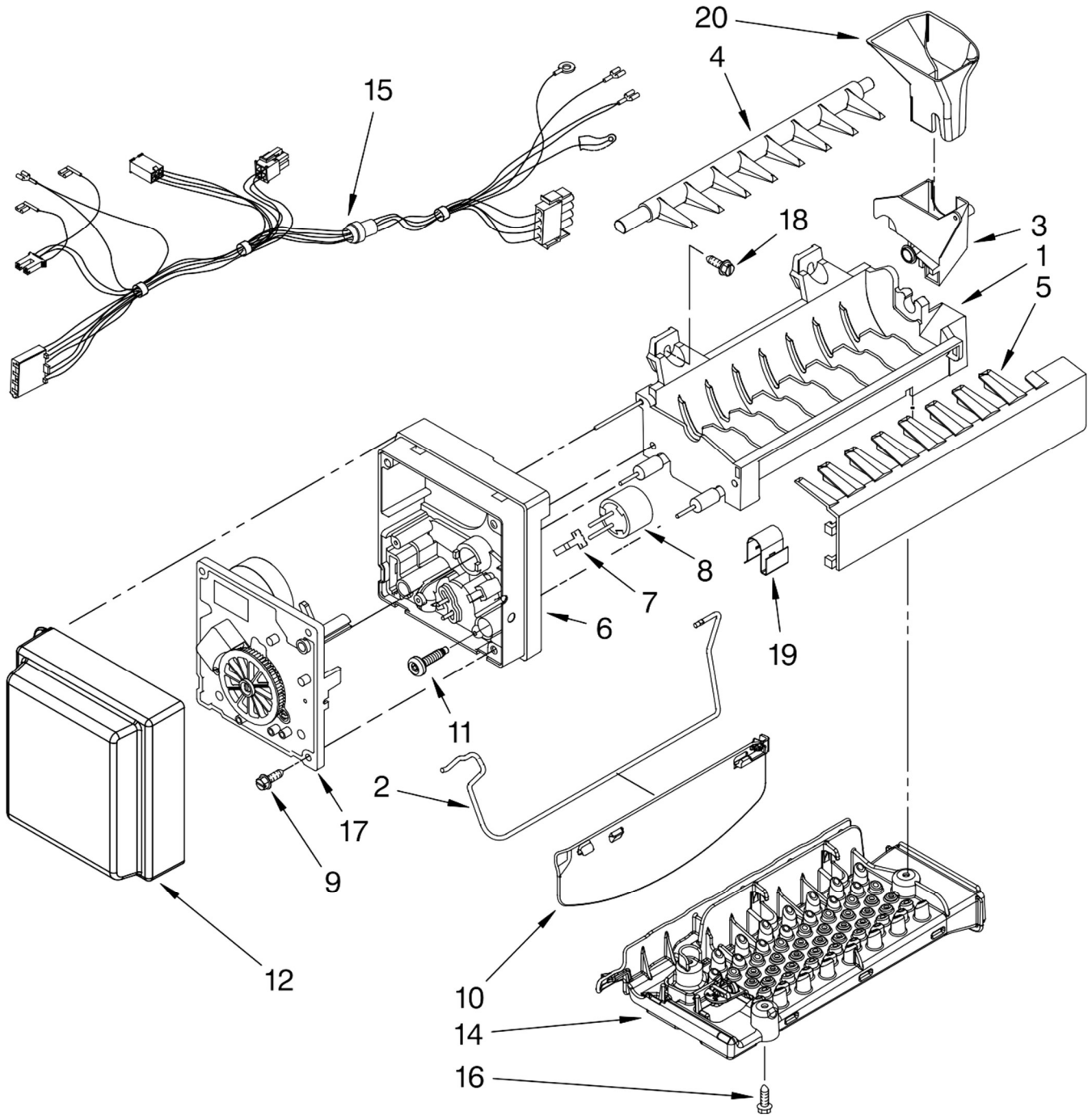
FOR ORDERING INFORMATION REFER TO PARTS PRICE LIST



## Refrigerador Maytag MFX2571XEMO

Illus. No.	Part No.	DESCRIPTION
1	W10309717	Ice Bin Assembly (Small Cube) (Includes Auger)
2	W10121282	Inlet, Blower
3	W10309863	Scroll, Blower
4	W10308033	Motor, Fan
5	W10123444	Wheel, Blower
6	12956603	Clip, Fan Motor
7	W10151687	Grommet, Fan Motor
8	W10309864	Divider, Ice Box
9	12920001	Gasket, Damper
10	W10309868	Motor, Auger
11	W10196393	Damper, Control
12	W10309866	Solenoid Assy.
13	W10118612	Liner, Divider
14	12990511	Screw (3)
15	W10309865	Bracket, Solenoid
16	420107A700	Washer
17	63052A001	Yoke, Ice Dispenser
20	W10142628	Foil, Ice Box





FOR ORDERING INFORMATION REFER TO PARTS PRICE LIST



## Refrigerador Maytag MFX2571XEM0

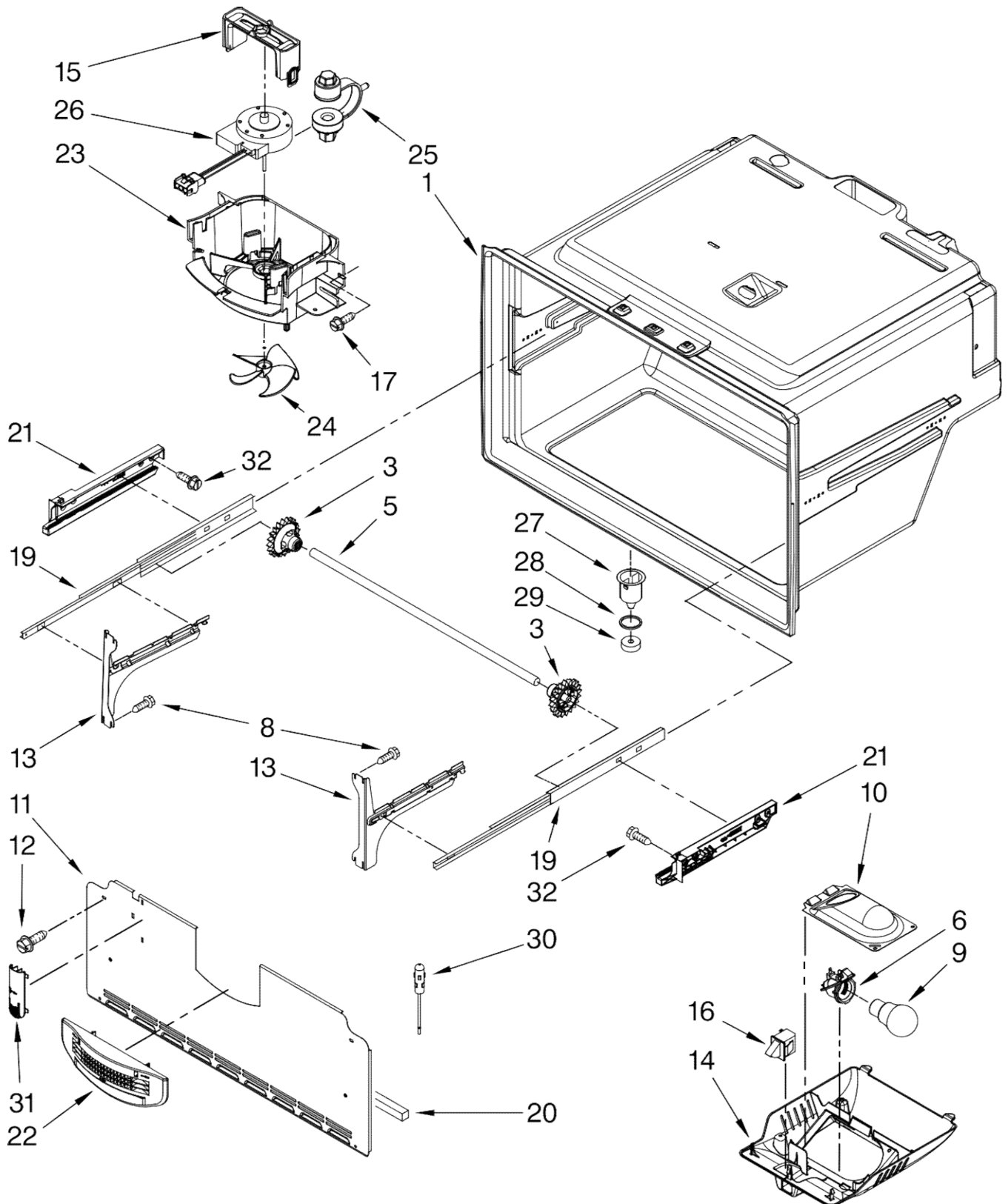
Illus. No.	Part No.	DESCRIPTION
1	W10300025	Mold & Heater Assembly (Also Order 542638 Grease)
2	W10175514	Arm, Shutoff
3	W10122561	Cup, Fill
4	W10318914	Ejector
5	W10122563	Ice Stripper
6	2194712	Support, Housing
7	2315522	Retainer, Thermostat
8	628532	Thermostat (Also Order 542369 Cement)
9	W10001240	Screw (3)
10	W10121440	Extension, Shutoff Arm
11	8533917	Screw (2)
12	W10290556	Cover
14	W10312691	Impinger Assy.
15	W10322960	Harness, Icemaker
16	12990511	Screw, Impinger
17	626691	Module Assembly
18	W10068250	Screw (2)
19	628379	Clip
20	W10121434	Insert, Fill Cup
100	W10300024	Icemaker Assembly (8 Cube)

---

Following Parts Not Illustrated

---

10244904SP Coupling



FOR ORDERING INFORMATION REFER TO PARTS PRICE LIST

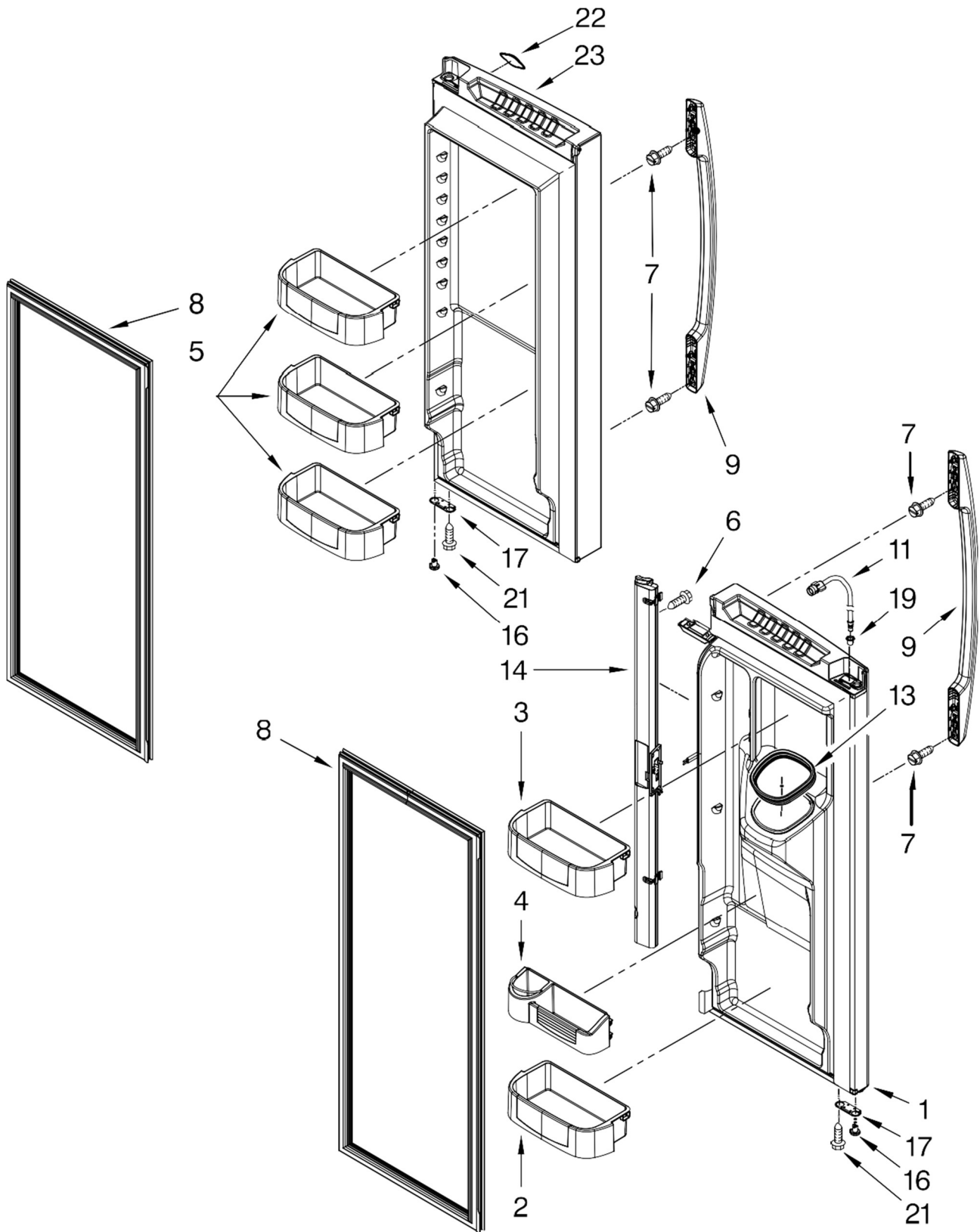


Refrigerador Maytag MFX2571XEM0

Illus. No.	Part No.	DESCRIPTION
1		Liner (Not A Seviceable Part)
3	12002497	Gear (Left)
5	12812903WD	Shaft, Rack
6	12570701SP	Socket, Light
8	12990521	Screw, Bracket
9	2255743	Bulb, Light
10	12476401SP	Housing, Light
11	W10308421	Cover, Evap
12	12990511	Screw
13		Bracket, Door Slide
	W10122147	Left
	W10122148	Right
14	13027902SP	Module, Freezer Light
15	12956601	Clip, Fan Motor
16	12466111SP	Switch, Rocker
17	12990504	Screw, Fan Shroud To Basket
19	W10120018	Slide, Drawer (2)
20	A3189396	Gasket, Foam
21		Adapter
	W10284682	Left
	W10284683	Right
22	12959901	Grille, Air
23	12951401	Shroud, Evap Fan
24	12986101	Blade, Fan (Evaporator)
25	12951101	Grommet, Fan Motor (2)
26	W10252866	Motor, Evaporator Fan
27	D7753903	Funnel, Drain
28	M0500703	Seal, O Ring
29	B8381501	Gasket, Drain Tube
30	12791417SP	Thermistor
31	12815301	Cover, Thermistor
32	12990501	Screw, Adapter

Following Parts Not Illustrated

12952005SP Harness FZ-Light

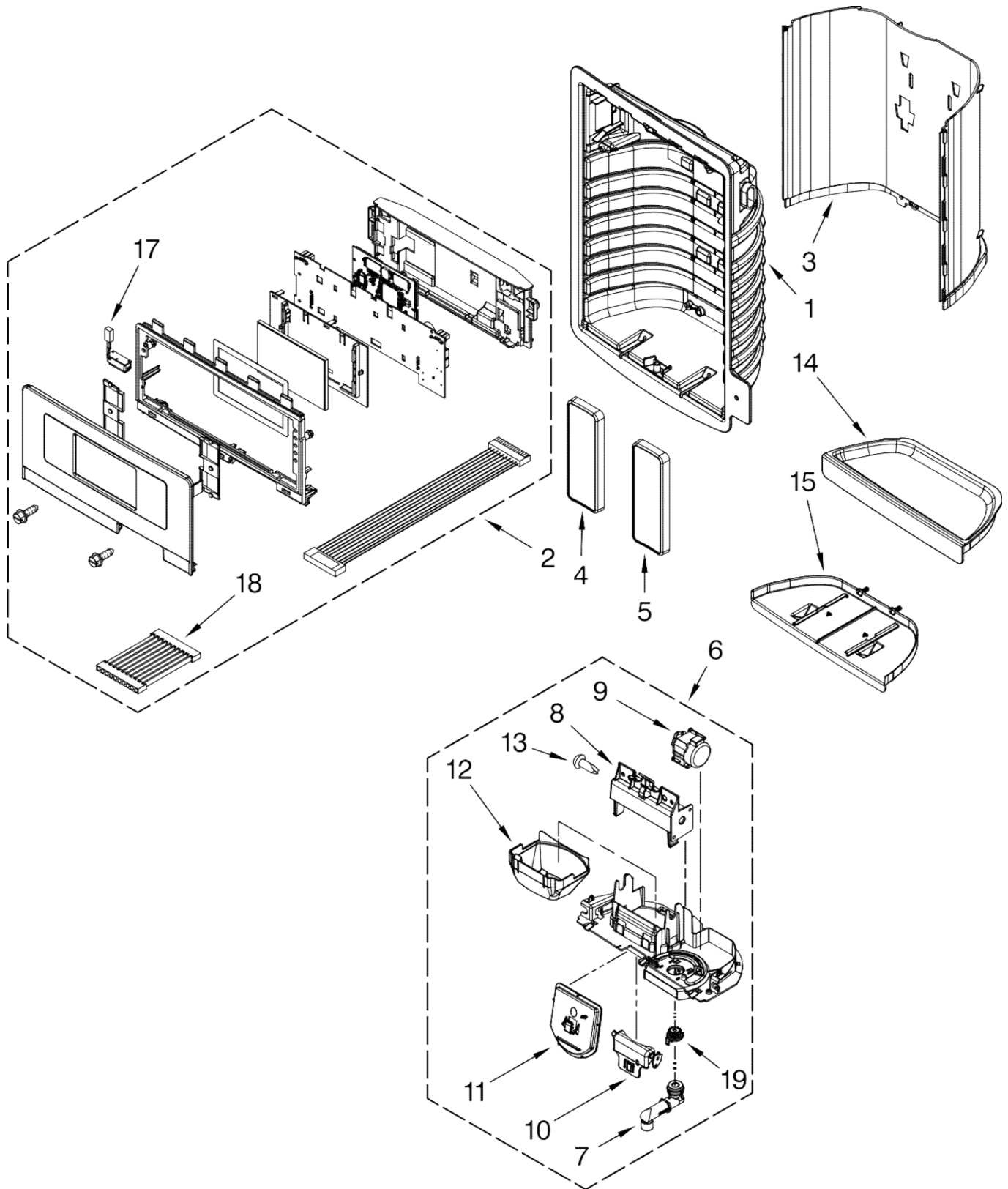


FOR ORDERING INFORMATION REFER TO PARTS PRICE LIST



Refrigerador Maytag MFX2571XEM0

Illus. No.	Part No.	DESCRIPTION
1		Door, Left
	13107301W	White
	13107301B	Black
	13107301S	Mono Stainless
2	W10297151	Bucket-Lower-LH
3	W10290553	Bucket-Upper-LH
4	W10290555	Bucket-Wine Bottle
5	12840004	Bucket-Gallon
6	12990513	Screw
7	12992902	Screw, Handle
8		Gasket, Door
	W10294125	White
	W10294126	Black
	W10294127	Apollo Grey
9		Door Handle
	W10252284	White
	W10252285	Black
	W10252288	Stainless
11	W10296451	Waterline, Door
13	W10287601	Seal, Ice Chute
14		Mullion, Door
	W10311759	White
	W10311758	Black
	W10311757	Apollo Grey
16		Closure, Door
	12028505W	White
	12028505B	Black
	12028505AP	Apollo Grey
17		Stop, Door
	12968202W	White
	12968202B	Black
	12968202AP	Apollo Grey
19	12996601	Clip, Bushing Wire (Left Door)
21	12990521	Screw
22	W10170766	Nameplate
23		Door, Right
	13107302W	White
	13107302B	Black
	13107302S	Mono Stainless



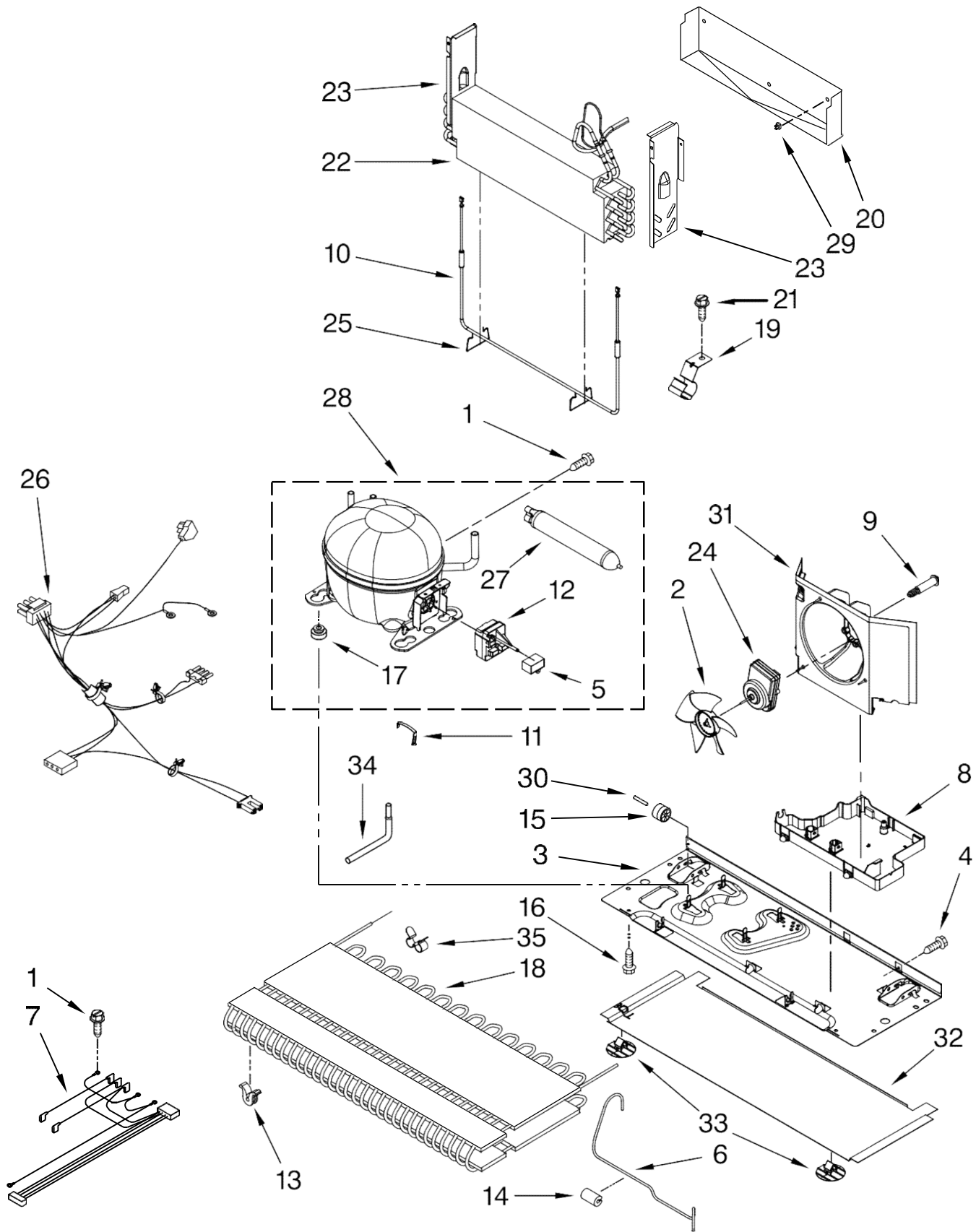
FOR ORDERING INFORMATION REFER TO PARTS PRICE LIST



Refrigerador Maytag MFX2571XEMO

Illus. No.	Part No.	DESCRIPTION
1		Housing, Dispenser (Not Serviced)
2		U I Assembly
	W10296550	White
	W10296554	Black
	W10296555	Stainless
3		False Wall Disp.
	W10215699	White
	W10233560	Black
	W10299897	Nickel
4		Pad-Ice
	W10308362	Nickel
	W10308363	Black
5		Pad-Water
	W10307625	Nickel
	W10307626	Black
6		Separator Assy.
	W10180830	White
	W10215987	Black
	W10307070	Stainless
7	2316647	Spigot Body Assy.
8	W10174827	Bracket-Ice Door
9	W10205979	Motor-Ice Door
10	W10174809	Support-Ice Door
11	W10174811	Door-Ice
12	W10174808	Guide-Ice
13	4449745	Screw
14		Tray-Dispenser
	W10267869	White
	W10267870	Black
	W10305897	Stainless
15		Slide-Tray Disp.
	W10267860	White
	W10267861	Black
	W10267863	Apollo Grey
17	W10238083	LED Assembly
18	W10193350	Harness-Jumper
19	2305348	Damper-Spigot





FOR ORDERING INFORMATION REFER TO PARTS PRICE LIST



**Refrigerador Maytag MFX2571XEM0**

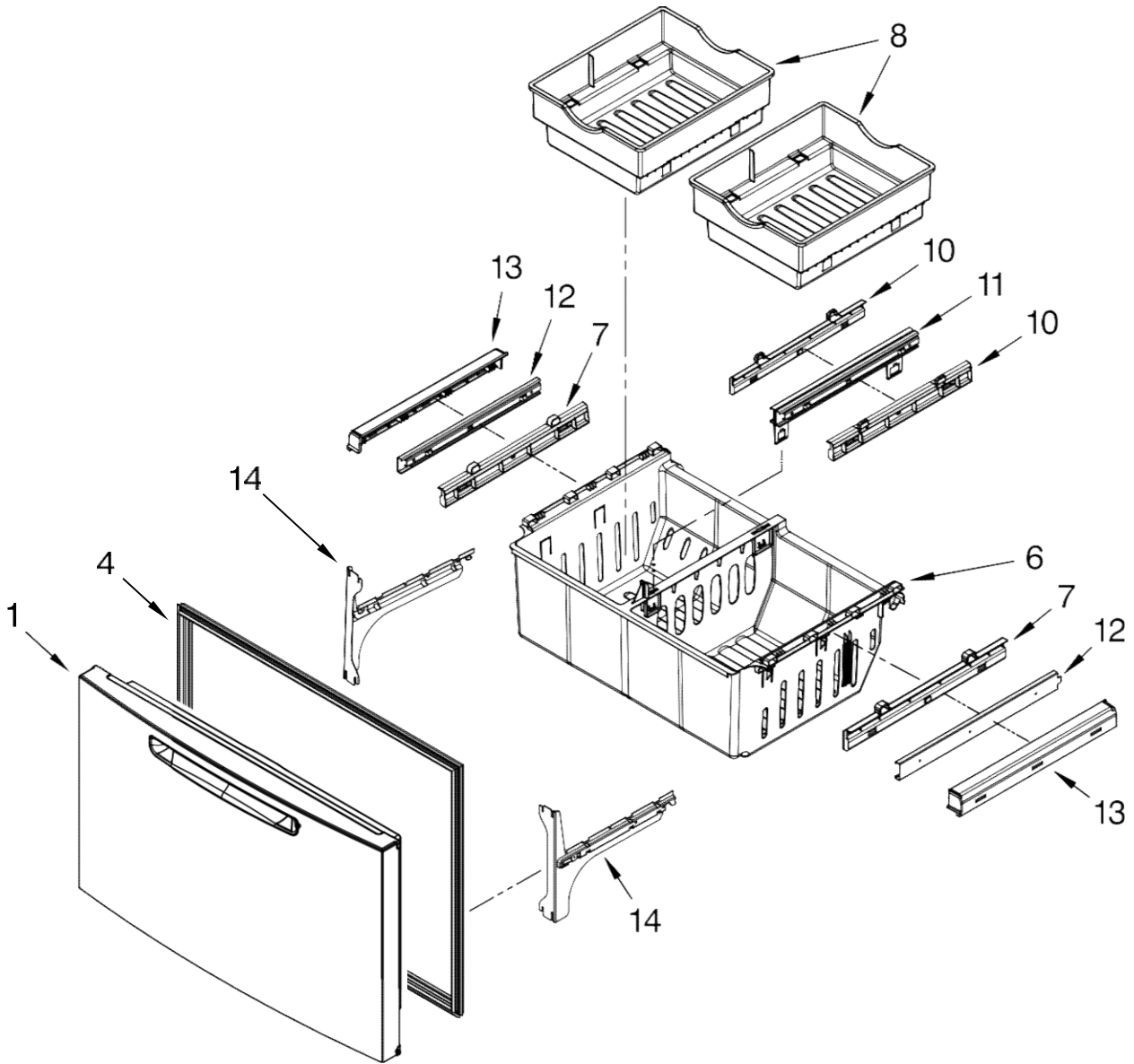
Illus. No.	Part No.	DESCRIPTION
1	12992301	Screw
2	12825803	Blade, Fan
3	W10210985	Basepan
4	12990511	Screw
5	2264017	Capacitor
6	W10217747	Tube, Discharge
7	W10276646	Harness, Evap. (Incl.Def.Htr)
8	W10296785	Pan, Drain
9	W10216919	Screw, Shoulder
10	12729123	Heater, Defrost
11	W10204187	Strap, Bale
12	W10197428	Start Device
13	W10137529	Grommet, Cond (4)
14	2319835	Grommet-Condenser
15	12477102	Roller (2)
16	12992101	Screw
17	10835903SP	Grommet (4)
18	W10135026	Condenser
19	W10281329	Clip,Drier
20	W10292803	Tray,Drip

Illus. No.	Part No.	DESCRIPTION
21	12990701	Screw
22	12959803	Evaporator
23		Dam
	12963102SP	Right Side
	12963002SP	Left Side
24	W10239053	Motor, Fan
25	10428101	Clip, Heater
26	W10234029	Harness-MC-Unit with Power Cord
27	W10143759	Drier
28	W10134623	Compressor (Includes items 11,12,17,27)
29	10623002	Clip, Evaporator
30	12477202	Axle, Roller (2)
31	W10189184	Shroud
32	W10206338	Extension-Basepan
33	W10206339	Fastener-Basepan
34	W10184616	Process Tube
35	W10196187	Clip-Condenser

Illus. No.	Part No.	DESCRIPTION
Following Parts Not Illustrated and Optional Parts Not Included		
	978025	Valve, Access (1/4")
	978026	Valve, Access (5/16")
	978027	Valve, Access (3/8")
	978028	Valve, Access (1/2")
	978029	Valve, Access (5/8")
	978030	Valve, Access (3/4")
	876764	Valve, Access (3/16")

**REFRIGERANT CHARGE**

5.25 Ozs.  
(R-134A)



Illus. No.	Part No.	DESCRIPTION
1		Freezer Door
	13107101W	White
	13107101B	Black
	13107101S	Mono Stainless
4		Gasket, Door
	W10164043	White
	W10164044	Black
	W10164045	Apollo Grey

Illus. No.	Part No.	DESCRIPTION
6	12924801SP	Bin, Lower
7	12925403SP	Adapter, Bin (Outer)
8	12924903	Bin, Upper
10	12925404SP	Adapter, Bin (Inner)
11	W10235357	Bracket/Glide Assembly

Illus. No.	Part No.	DESCRIPTION
12	W10235367	Glide, Upper
13		Retainer, Glide
	12925502SP	Right
	12925501SP	Left
14		Bracket, Door Slide
	W10122147	Left
	W10122148	Right

FOR ORDERING INFORMATION REFER TO PARTS PRICE LIST

# OPTIONAL PARTS (NOT INCLUDED)

For Models: MFX2571XEW0, MFX2571XEB0, MFX2571XEM0

(White)                      (Black)                      (Monochromatic  
Stainless)

Illus. Part No. No. DESCRIPTION	Illus. Part No. No. DESCRIPTION	Illus. Part No. No. DESCRIPTION
Parts Not Illustrated and Optional Parts (Not Included)	<b>Miscellaneous</b>	<b>TORX SCREW WRENCH</b>
<b>Customer Touch-Up Material</b>	212643 Sealer, Gum (4 Feet) 479502 Tape, Vinyl (3/4 x 108") 876370 Kit, Insulation (2 Pcs. x 3" x 24" X 48") 876305 Kit, Insulation (14 Pcs. x 3" x 24" x 48") 978941 Insulation, Fiberglass (63-1/2" x 35-1/2" X 2-5/8) 876029 Kit, Foam Slab (30" x 32-1/2" x 1-1/2") 505587 Sealer, Mastic (1 Qt.) 503695 Cork, Sealer (1/4 Pound) 20000008 Cleaner, Stnls Steel Magic 542638 Grease, Silicone (1/2 Oz.) 542639 Cement, Alumilastic (1-1/4 Oz.) 606755 Bag, Insulation (36-5/8" x 46") 833938 Kit, Terminal Connector 67007112 Ice Container Assembly	1117510 Torx Key
*350942 Primer, White (13 Oz. Spray Can) *350939 Enamel, Black (13 Oz. Spray Can) *350930 Enamel, White (13 Oz. Spray Can) 22002901 Enamel, Bisque (12 OZ. Spray Can) 22002900 Enamel, Bisque (.6 OZ. Bottle) 72017 Brush Touch-Up Kit (White) 72032 Brush Touch-up kit (Black)		
<p><b>*Important:</b> The spray paint is not to be used where the paint may make contact with the door gaskets.</p> <p><b>Refinishing Material</b></p> 799340 Enamel, Black (1 Qt. Uncut) 799344 Enamel, White (1 Qt. Uncut)		