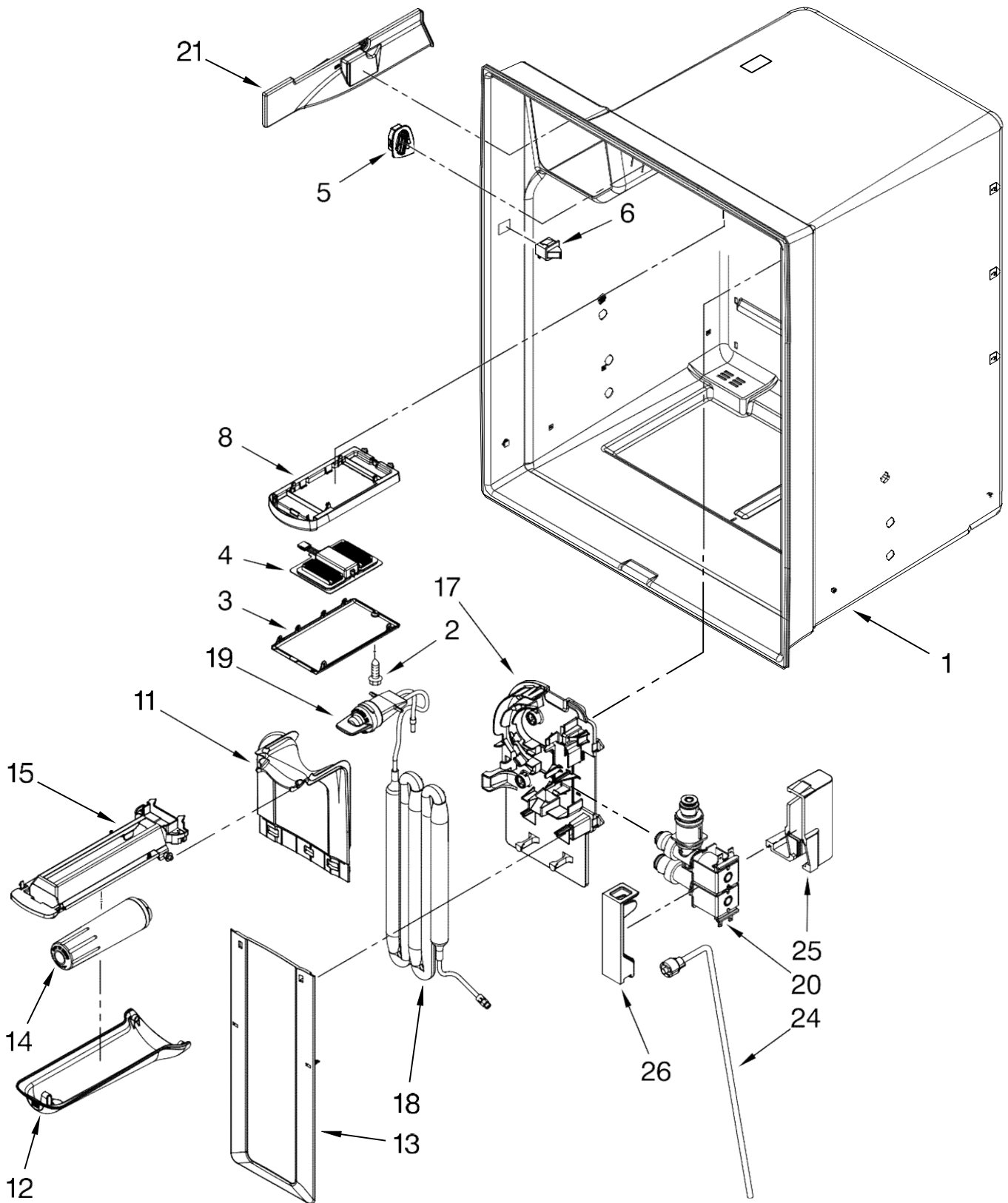


FOR ORDERING INFORMATION REFER TO PARTS PRICE LIST



Refrigerador Maytag MFX2571XEM2

Illus. No.	Part No.	DESCRIPTION	Illus. No.	Part No.	DESCRIPTION	Illus. No.	Part No.	DESCRIPTION
1		Literature Parts	14	12992403	Screw, Top Hinge	27	W10226427	Power Supply Modul
	W10341191	Tech Sheet	15		Hinge, Center (RT)	28	12990302	Screw, Block
	W10336158	Use & Care Guide		13000002AP	Apollo Grey	29	12957801K	Gasket-HV Cntrl-2
	W10295091	Guide, Energy	16	W10285271	Box, HV Control	30	W10270394	Cover, MC Back
2	12961401	Tube W/Waterline, Fill-IM	17		Cover, Corner (2)	31	W10210988	Tube, Drain
3	12698403	Block, Pivot		12587703AP	Apollo Grey	32	W10236761	Cover-Water Valve
4	B5759655	Gasket, MC Back	18	12963204ED	Hinge, Top Left	33	12820505	Fiber, Acoustic
5		Cover, Top Hinge (Right)	19	W10223786	Waterline-Househld	34	W10141622	Brake, Foot
	12962302AP	Apollo Grey	20	12991302	Screw (8)	35	W10285198	Board, HV Control
6		Cover, Fill Tube	21		Shim, Top Hinge	36		Roller Assembly
	12981401AP	Apollo Grey		12999501	Left		W10275849	Right
7	12961602	Cover, Control Box		12999502	Right		W10275850	Left
8	M0108107	Clamp, Tube	22		Grille, Toe	37		Mullion-Incl.Heatr
9	12992602	Screw, Hinge Cover		W10244558	Apollo Grey		W10296396	Apollo Grey
10	12963205ED	Hinge, Top Right	23	12957702K	Lid, HV Control	38	W10237349	Lens-Ice Box Cover
11	489470	Screw, Center Hinge	24		Hinge, Center (LT)	39	W10320778	Module LED Lights
	12990511	Screw (3)		13000001AP	Apollo Grey	40	W10311719	Housing-Module
13		Cover, Top Hinge (Left)	25	12990702	Screw, Cover	41	W10323211	Brace-Mullion
	12962301AP	Apollo Grey	26		Cabinet (Not A Servicable Part)	42	W10311721	EPS Spacer Block
						43	W10316401	Spacer Wedge-L & R
						44	W10316403	Spacer Wedge L & R

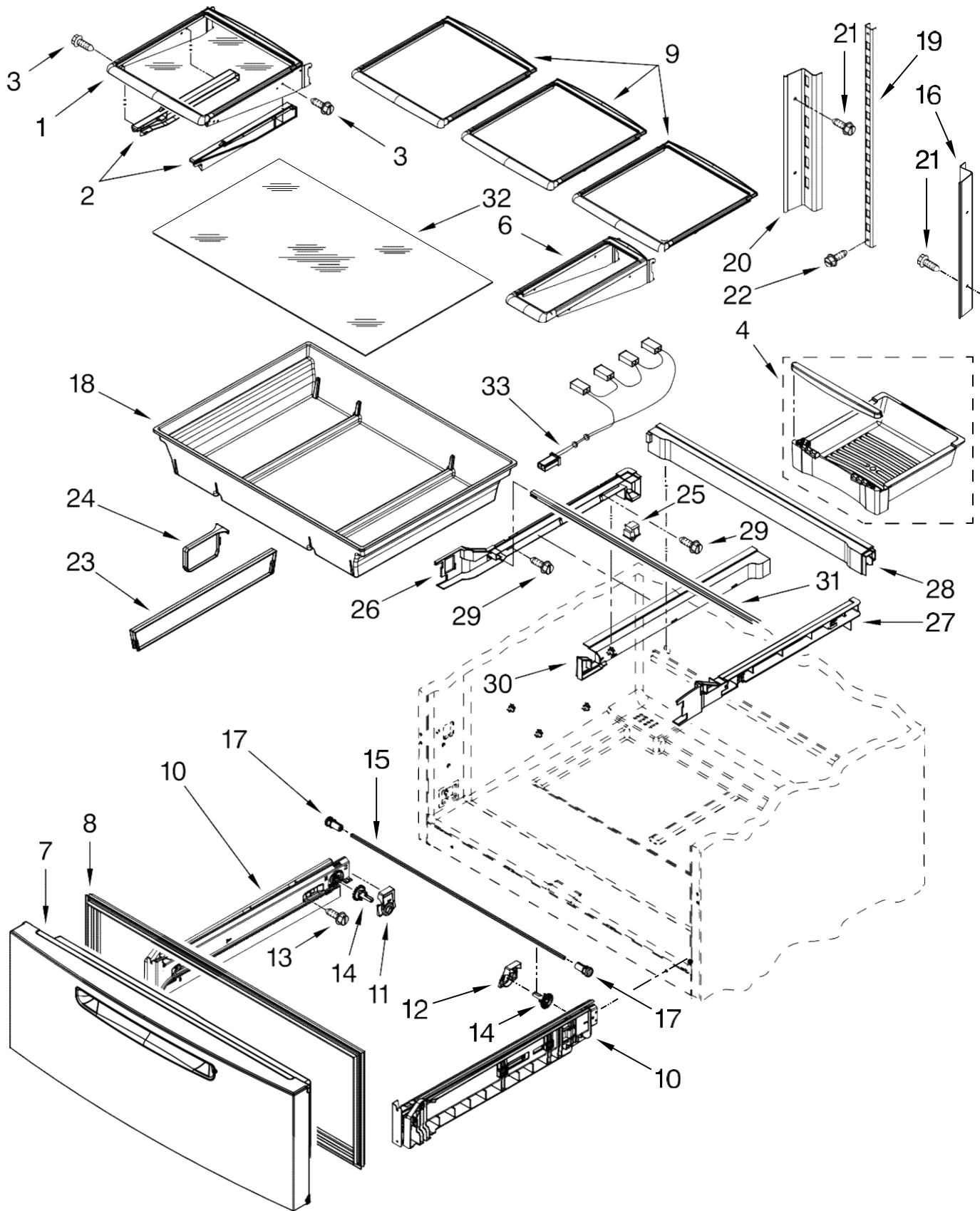


FOR ORDERING INFORMATION REFER TO PARTS PRICE LIST



## Refrigerador Maytag MFX2571XEM2

Illus. No.	Part No.	DESCRIPTION
1		Liner (Not A Serviceable Part)
2	12990204	Screw
3	W10311756	Lens-RC-LED
4	W10289592	Main LED Module
5	13008201	Grille, Air
6	12466103	Switch, Light (2)
8	W10343359	Housing-RC-LED
11	12960101	Cover, Water Tank (Upper)
12	12960301	Lid, Water Filter
13	12960001	Cover, Water Tank (Lower)
14	UKF8001AXX	Filter, Water
15	12955901	Bracket, Filter Base
17	12956001	Bracket, Water Tank & Valve
18	W10296371	Water Tank & Head Assembly
19	12664501SP	Plug, Bypass
20	12956102	Valve, Water Inlet
21	W10309869	Cover, Ice Box Harness
24	W10290356	Waterline, Cabinet (W/Nut)
25	W10118193	Cover Water Valve
26	W10118194	Lid, Enclosure

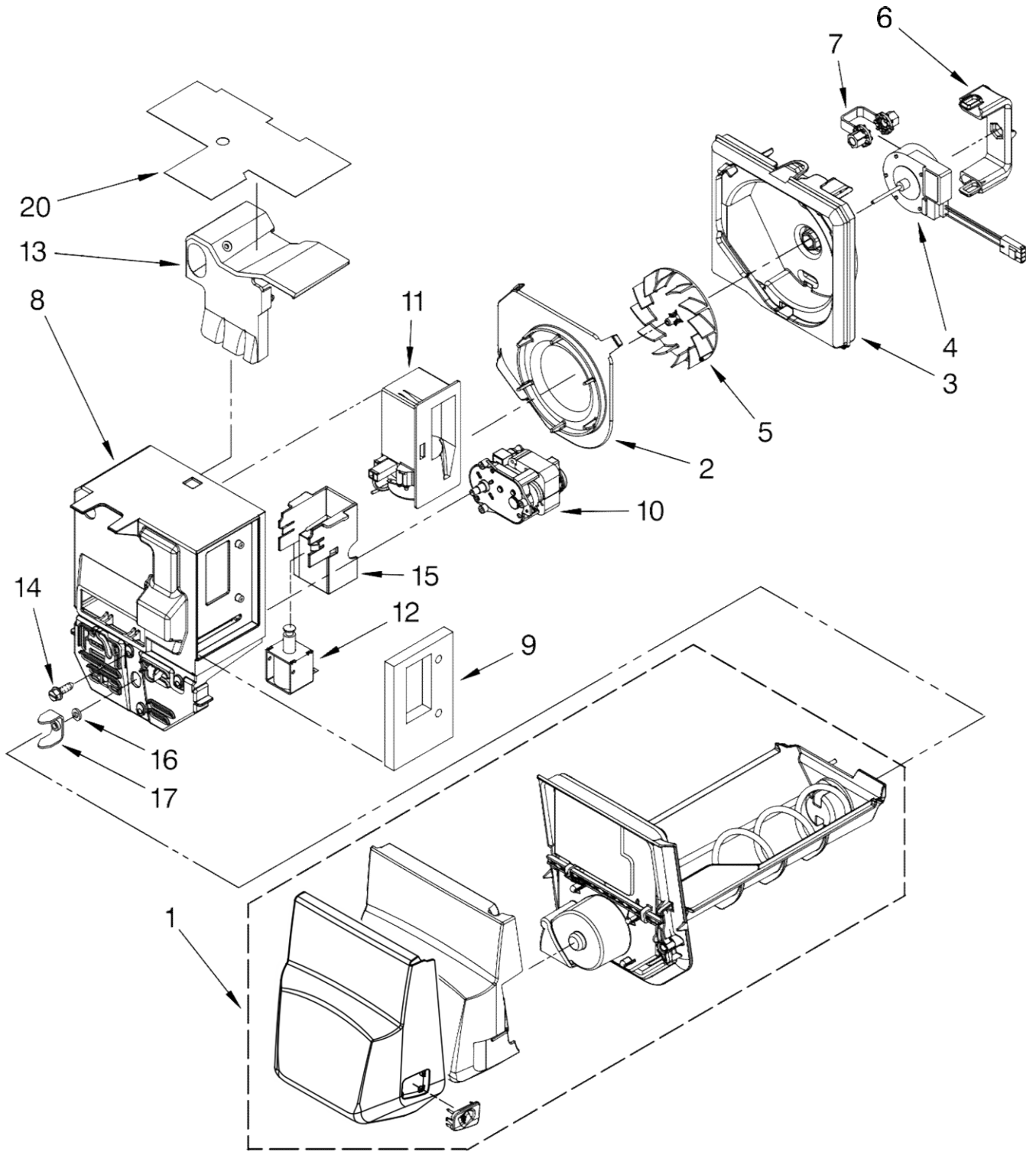


FOR ORDERING INFORMATION REFER TO PARTS PRICE LIST



Refrigerador Maytag MFX2571XEM2

Illus. No.	Part No.	DESCRIPTION
1	12883508SP	Shelf-Glide
2	W10194031	Glide Snack Pan-LH
	W10194032	Glide Snack Pan-RH
3	12990302SP	Screw
4	W10319333N	Pan-Snack
6	12885501N	Shelf-Stat-Mini
7		Pantry Door
	13107102S	Stainless
8		Gasket-Pantry
	W10294114	Apollo Grey
9	12883507	Shelf, Glide (3)
10		Adapter-Pantry
	W10295155	Left
	W10295157	Right
11	W10277360	Gear Spur-L & R
12		Cover-Gear
	W10284709	Left
	W10294414	Right
13	W10272364	Screw
14	12991701	Screw
15	W10298176	Shaft-Rack
16	W10251965	Ladder, Side RH
17	W10277361	Collar-Gear
18	W10268846	Pan-Pantry-PO
19	W10273464	Ladder, Center
20	W10251968	Ladder, Side
21	12990513	Screw
22	12990515	Screw
23	W10285573	Divider-Pantry-Lrg
24	W10285594	Divider-Pantry-Sm
25	12466104	Switch-Rocker
26	W10311723	Rail-LH Pantry
27	W10311726	Rail-RH Pantry
28	W10311727	Rail-Rear Pantry
29	12990521	Screw
30	W10311725	Cover-LH Pantry
31	12227305	Brace-Pantry
32	W10296571	Glass-Pantry Shelf
33	W10335721	Harness-RC-LED



FOR ORDERING INFORMATION REFER TO PARTS PRICE LIST

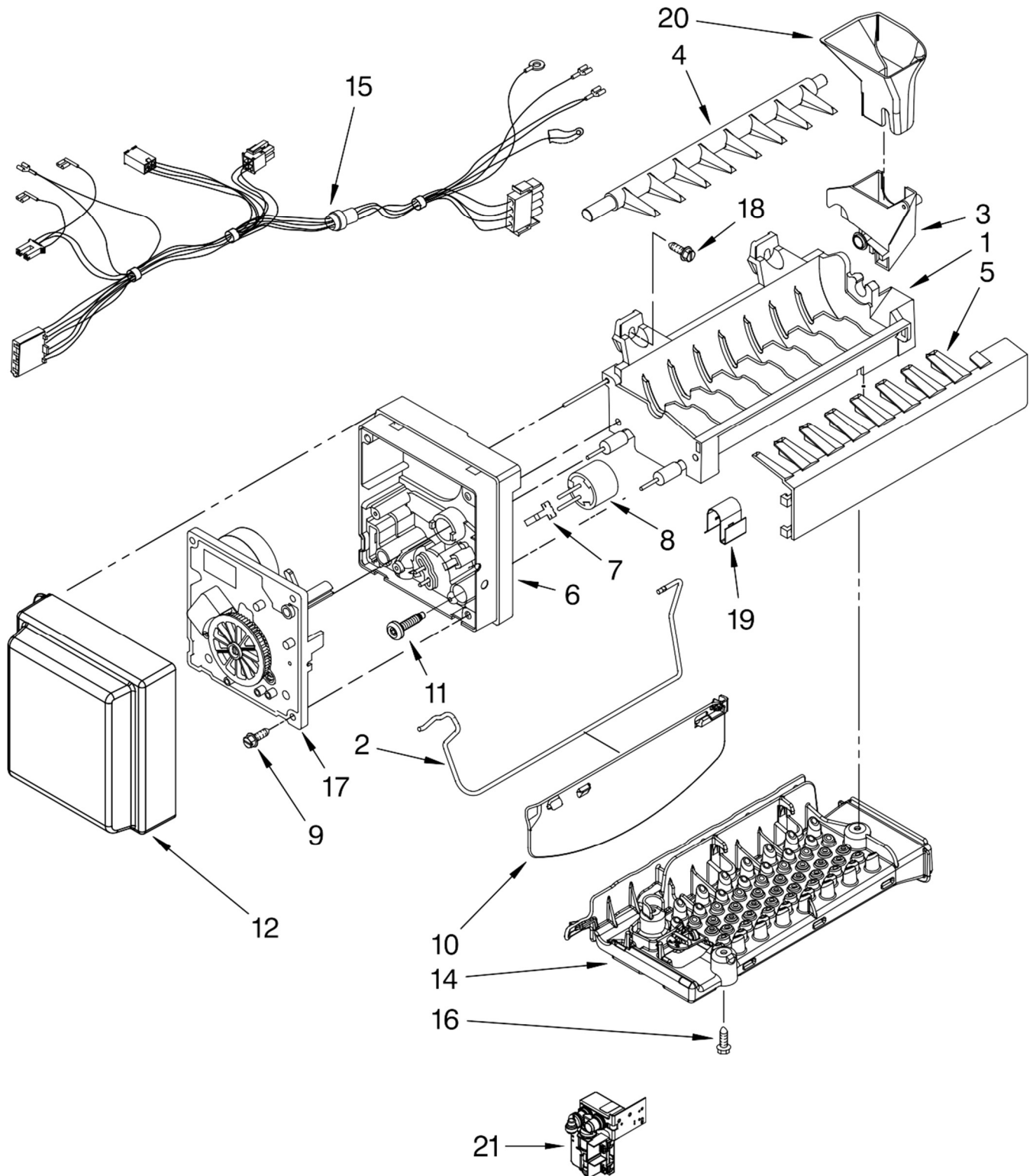


Refrigerador Maytag MFX2571XEM2

Illus. No.	Part No.	DESCRIPTION
1	W10347671	Ice Bin Assembly (Small Cube) (Includes Auger)
2	W10121282	Inlet, Blower
3	W10309863	Scroll, Blower
4	W10308033	Motor, Fan
5	W10123444	Wheel, Blower
6	12956603	Clip, Fan Motor
7	W10151687	Grommet, Fan Motor
8	W10309864	Divider, Ice Box
9	12920001	Gasket, Damper
10	W10309868	Motor, Auger
11	W10196393	Damper, Control
12	W10309866	Solenoid Assy.
13	W10118612	Liner, Divider
14	12990511	Screw (3)
15	W10346971	Bracket, Solenoid
16	420107A700	Washer
17	63052A001	Yoke, Ice Dispenser
20	W10142628	Foil, Ice Box



Refrigerador Maytag MFX2571XEM2



FOR ORDERING INFORMATION REFER TO PARTS PRICE LIST

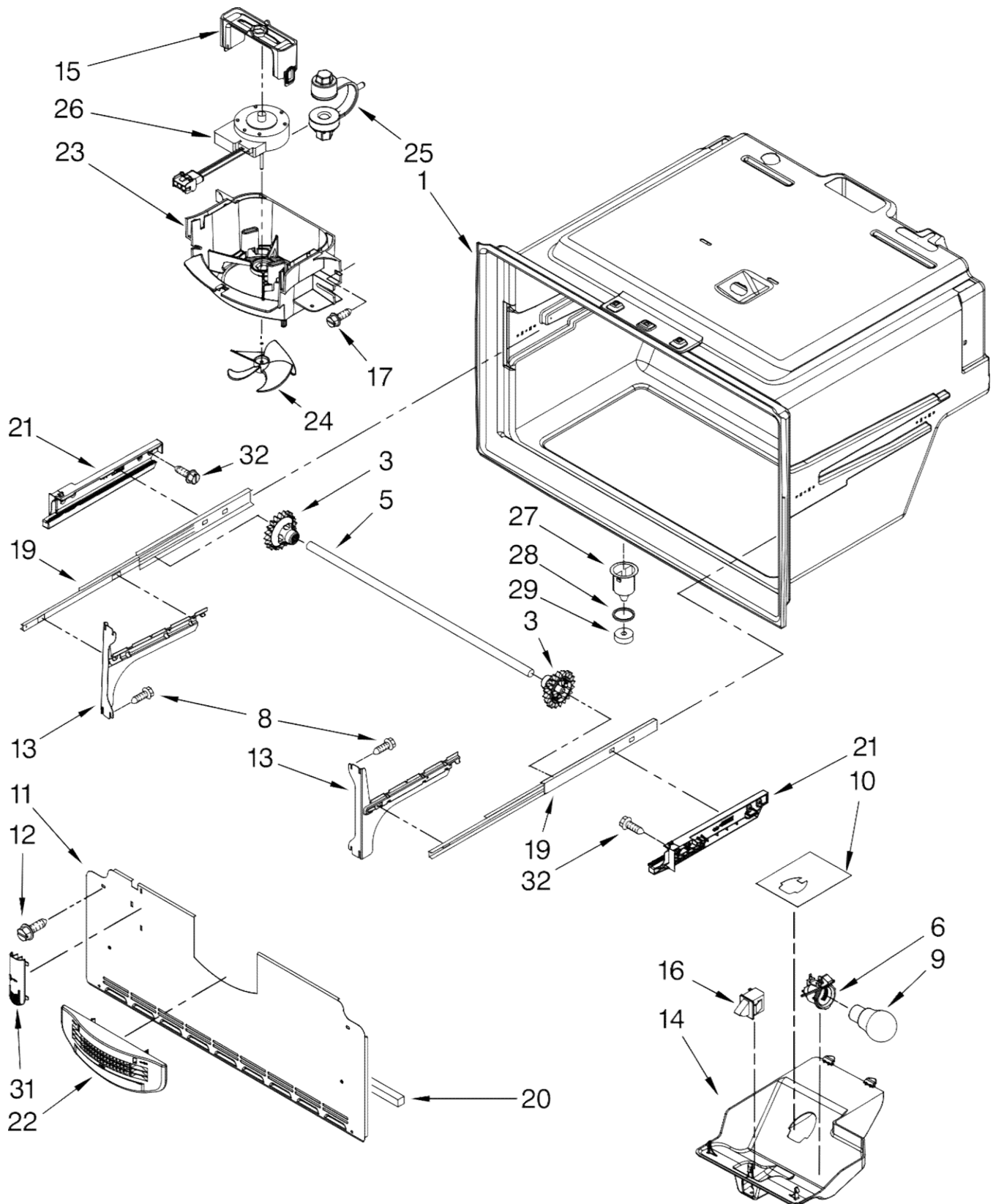


Refrigerador Maytag MFX2571XEM2

Illus. No.	Part No.	DESCRIPTION
1	W10300025	Mold & Heater Assembly (Also Order 542638 Grease)
2	W10175514	Arm, Shutoff
3	W10327050	Cup, Fill
4	W10318914	Ejector
5	W10122563	Ice Stripper
6	2194712	Support, Housing
7	2315522	Retainer, Thermostat
8	628532	Thermostat (Also Order 542369 Cement)
9	W10001240	Screw (3)
10	W10121440	Extension, Shutoff Arm
11	8533917	Screw (2)
12	W10290556	Cover
14	W10312691	Impinger Assy.
15	W10322960	Harness, Icemaker
16	12990511	Screw, Impinger
17	626691	Module Assembly
18	W10068250	Screw (2)
19	628379	Clip
20	W10121434	Insert, Fill Cup
21	W10270395	Valve, Smart
100	W10300024	Icemaker Assembly (8 Cube)

Following Parts Not Illustrated

10244904SP Coupling



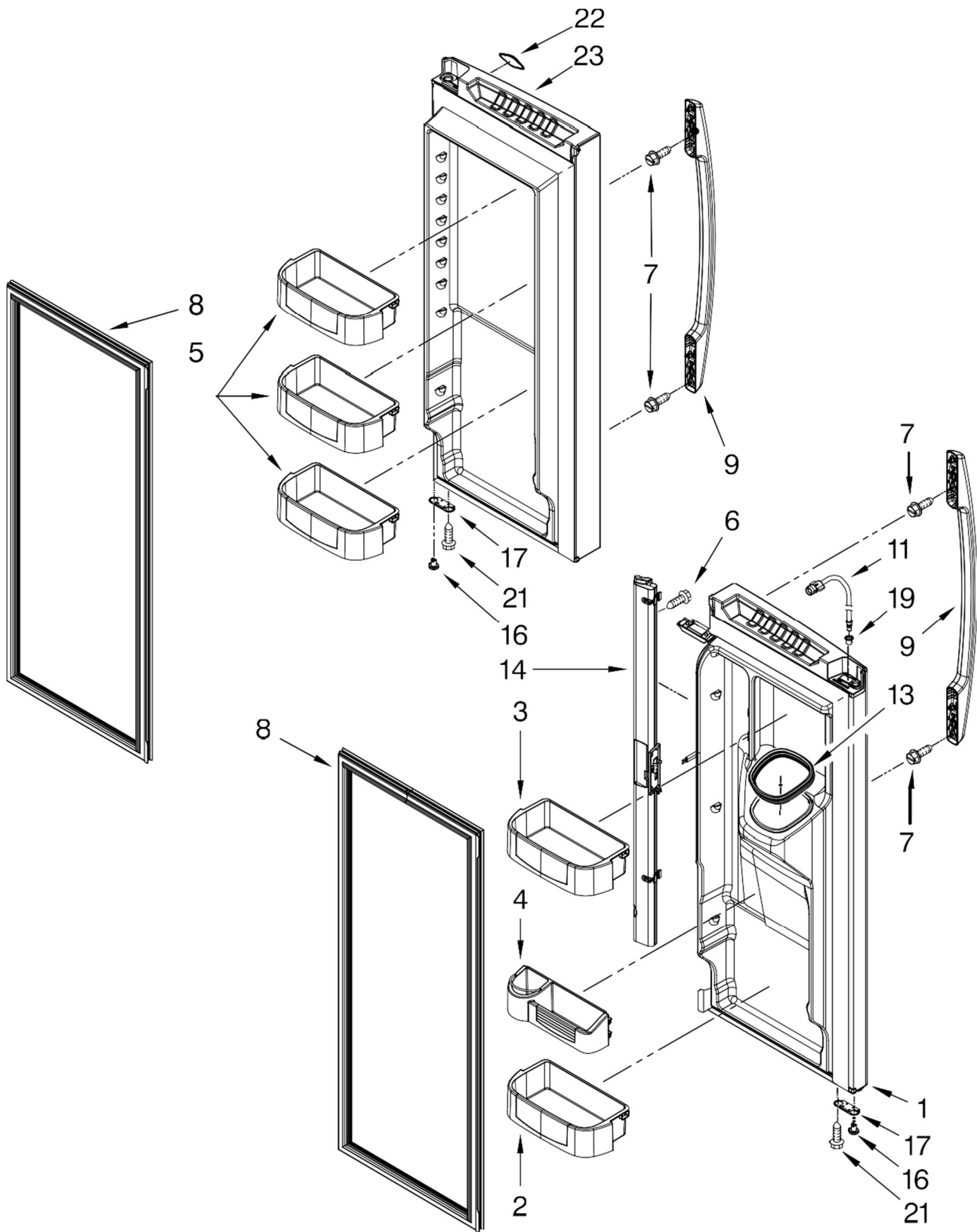
FOR ORDERING INFORMATION REFER TO PARTS PRICE LIST



Refrigerador Maytag MFX2571XEM2

Illus. No.	Part No.	DESCRIPTION
1		Liner (Not A Serviceable Part)
3	12002497	Gear (Left)
5	12812903WD	Shaft, Rack
6	12570701	Socket, Light
8	12990521	Screw, Bracket
9	2255743	Bulb, Light
10	W10277466	Foil-FZ Light
11	W10308421	Cover, Evap
12	12990511	Screw
13		Bracket, Door Slide
	W10122147	Left
	W10122148	Right
14	W10315248	Module, Freezer Light
15	12956601	Clip, Fan Motor
16	12466111SP	Switch, Rocker
17	12990504	Screw, Fan Shroud To Basket
19	W10120018	Slide, Drawer (2)
20	A3189396	Gasket, Foam
21		Adapter
	W10284682	Left
	W10284683	Right
22	12959901	Grille, Air
23	12951401	Shroud, Evap Fan
24	12986101	Blade, Fan (Evaporator)
25	12951101	Grommet, Fan Motor (2)
26	W10252866	Motor, Evaporator Fan
27	D7753903	Funnel, Drain
28	M0500703	Seal, O Ring
29	B8381501	Gasket, Drain Tube
31	12815301	Cover, Thermistor
32	12990501	Screw, Adapter

Refrigerador Maytag MFX2571XEM2



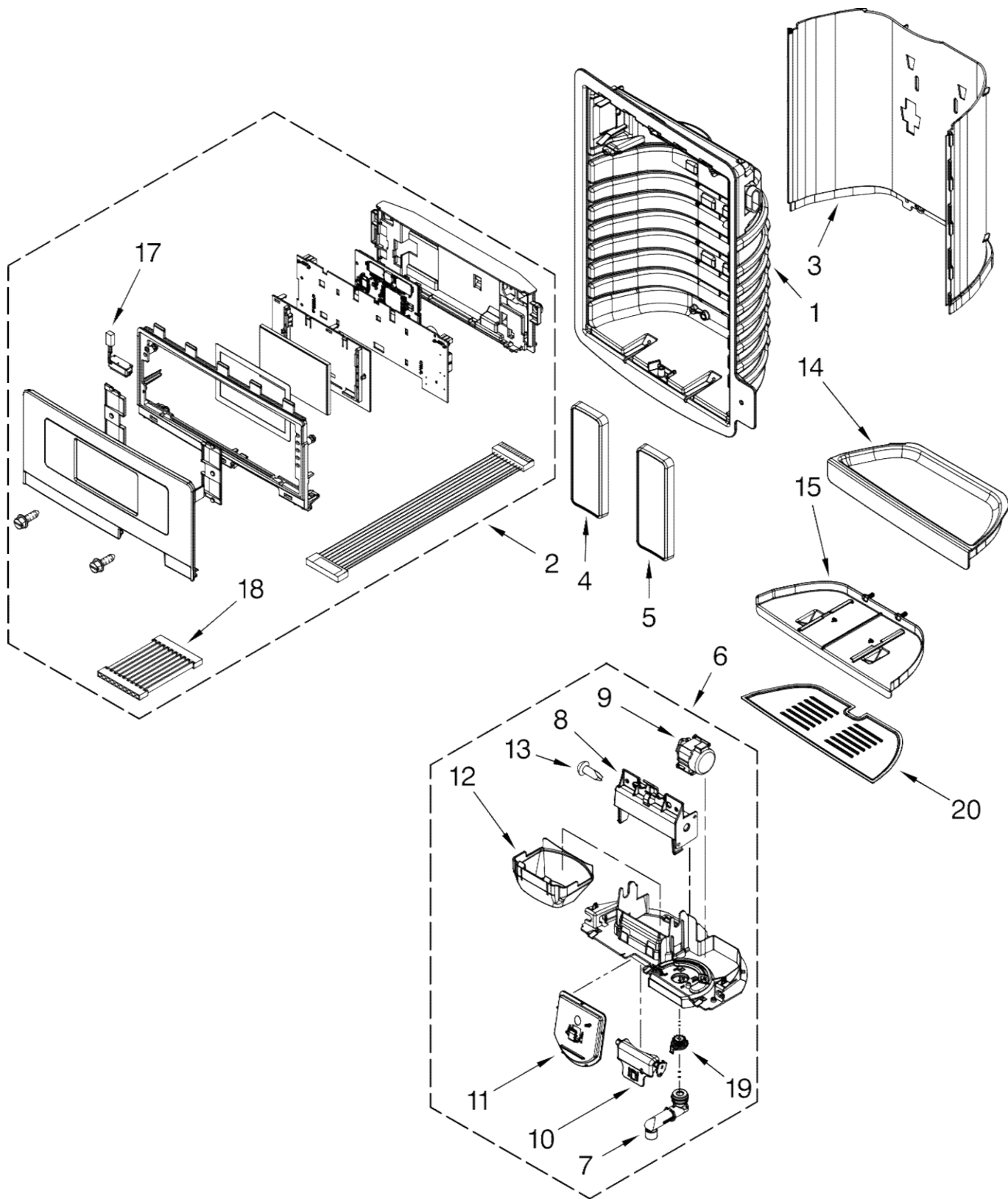
FOR ORDERING INFORMATION REFER TO PARTS PRICE LIST



Refrigerador Maytag MFX2571XEM2

Illus. No.	Part No.	DESCRIPTION
1	13107301S	Door, Left Mono Stainless
2	W10297151	Bucket-Lower-LH
3	W10290553	Bucket-Upper-LH
4	W10290555	Bucket-Wine Bottle
5	12840004	Bucket-Gallon
6	12990513	Screw
7	12992902	Screw, Handle
8		Gasket, Door
	W10294127	Apollo Grey
9		Door Handle
	W10252288	Stainless
11	W10296451	Waterline, Door
13	W10287601	Seal, Ice Chute
14		Mullion, Door
	W10311757	Apollo Grey
16		Closure, Door
	12028505AP	Apollo Grey
17		Stop, Door
	12968202AP	Apollo Grey
19	12996601	Clip, Bushing Wire (Left Door)
21	12990521	Screw
22	W10170766	Nameplate
23		Door, Right
	13107302S	Mono Stainless

Refrigerador Maytag MFX2571XEM2



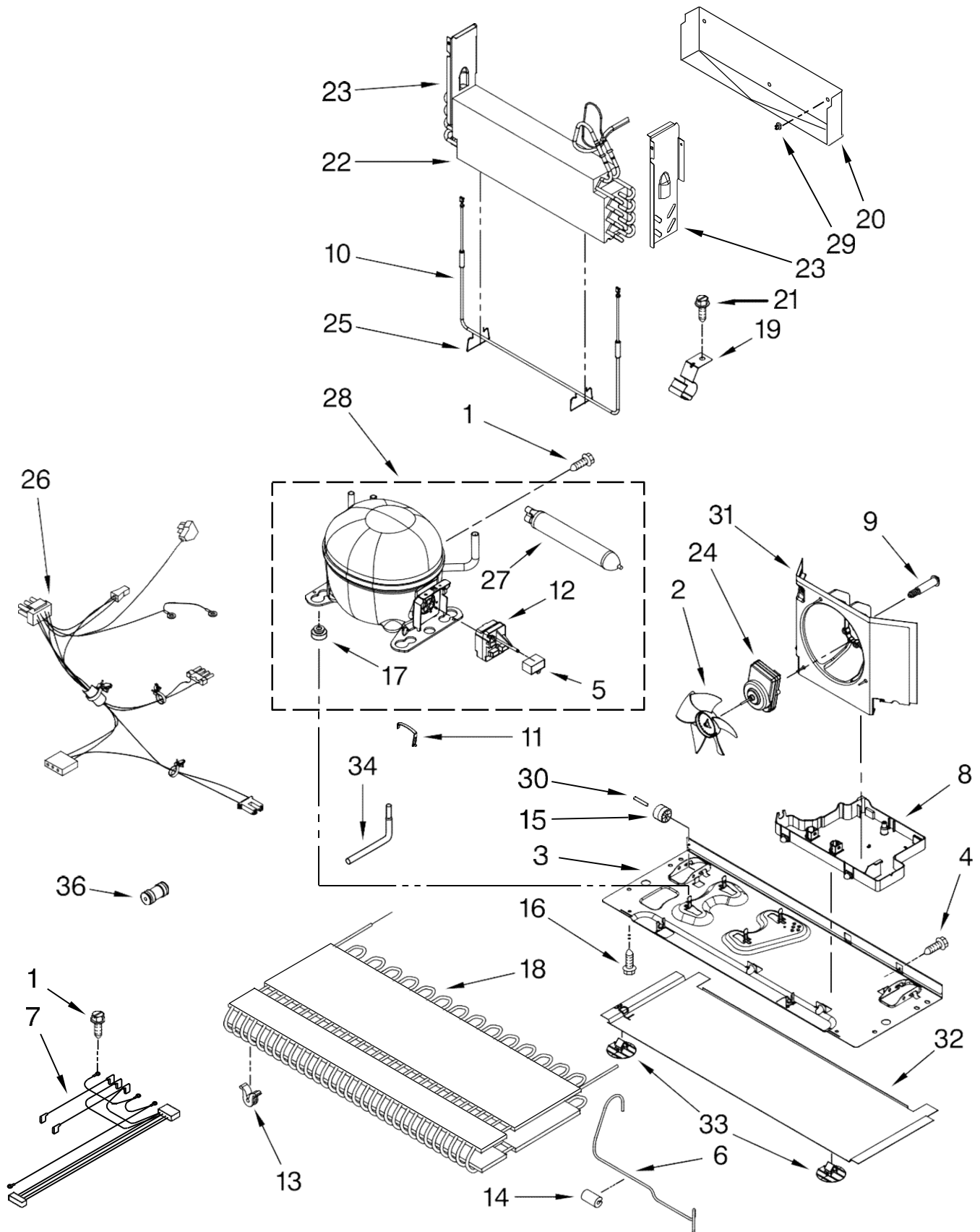
FOR ORDERING INFORMATION REFER TO PARTS PRICE LIST



## Refrigerador Maytag MFX2571XEM2

Illus. No.	Part No.	DESCRIPTION
1		Housing, Dispenser (Not Serviced)
2		U I Assembly
	W10333275	Stainless
3		False Wall Disp.
	W10299897	Nickel
4		Pad-Ice
	W10334789	Nickel
5		Pad-Water
	W10334813	Nickel
6		Separator Assy.
	W10353562	Stainless
7	2316647	Spigot Body Assy.
8	W10174827	Bracket-Ice Door
9	W10205979	Motor-Ice Door
10	W10174809	Support-Ice Door
11	W10174811	Door-Ice
12	W10174808	Guide-Ice
13	4449745	Screw
14		Tray-Dispenser
	W10305897	Stainless
15		Slide-Tray Disp.
	W10267863	Apollo Grey
17	W10238083	LED Assembly
18	W10193350	Harness-Jumper
19	2305348	Damper-Spigot
20	W10215957	Grate, Drip





FOR ORDERING INFORMATION REFER TO PARTS PRICE LIST



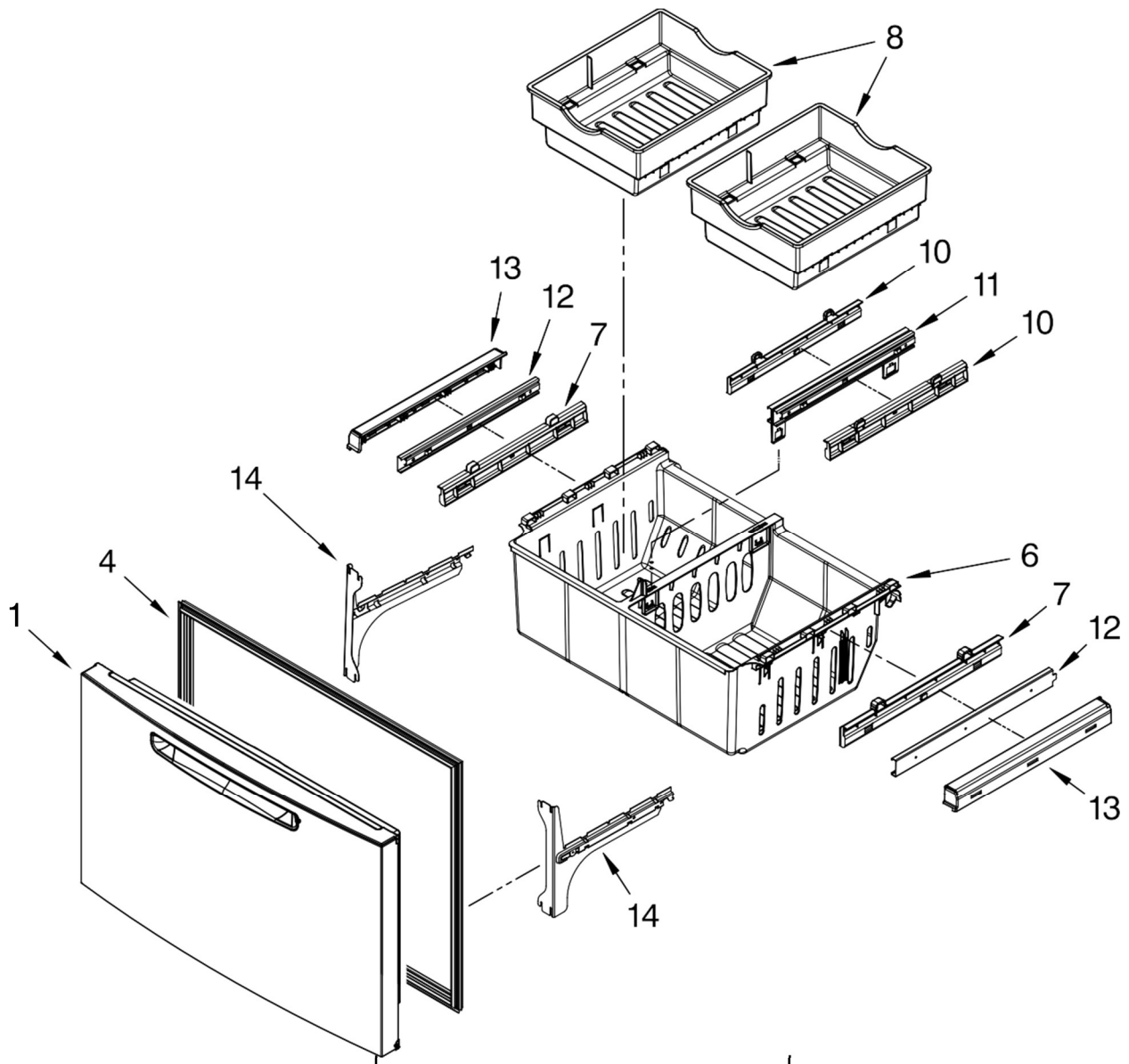
Refrigerador Maytag MFX2571XEM2

Illus. No.	Part No.	DESCRIPTION
1	12992301	Screw
2	12825803	Blade, Fan
3	W10210985	Basepan
4	12990511	Screw
5	2264017	Capacitor
6	W10217747	Tube, Discharge
7	W10276646	Harness, Evap. (Incl.Def.Htr)
8	W10296785	Pan, Drain
9	W10216919	Screw, Shoulder
10	12729123	Heater, Defrost
11	W10204187	Strap, Bale
12	W10197428	Start Device
13	W10137529	Grommet, Cond (4)
14	2319835	Grommet-Condenser
15	12477102	Roller (2)
16	12992101	Screw
17	10835903SP	Grommet (4)
18	W10135026	Condenser
19	W10281329	Clip, Drier

Illus. No.	Part No.	DESCRIPTION
20	W10292803	Tray, Drip
21	12990702	Screw
22	W10313899	Evaporator
23		Dam
	12963102SP	Right Side
	12963002SP	Left Side
24	W10239053	Motor, Fan
25	10428101	Clip, Heater
26	W10234029	Harness-MC-Unit with Power Cord
27	W10143759	Drier
28	W10134623	Compressor (Includes items 11,12,17,27)
29	10623002	Clip, Evaporator
30	12477202	Axle, Roller (2)
31	W10189184	Shroud
32	W10206338	Extension-Basepan
33	W10206339	Fastener-Basepan
34	W10184616	Process Tube
36	W10334458	Connector-Water

Illus. No.	Part No.	DESCRIPTION
Following Parts Not Illustrated and Optional Parts Not Included		
	978025	Valve, Access (1/4")
	978026	Valve, Access (5/16")
	978027	Valve, Access (3/8")
	978028	Valve, Access (1/2")
	978029	Valve, Access (5/8")
	978030	Valve, Access (3/4")
	876764	Valve, Access (3/16")
<b>REFRIGERANT CHARGE</b>		
5.25 Ozs. (R-134A)		

Refrigerador Maytag MFX2571XEM2



Illus. No.	Part No.	DESCRIPTION	Illus. No.	Part No.	DESCRIPTION	Illus. No.	Part No.	DESCRIPTION
1	13107101S	Freezer Door Mono Stainless	8	12924903	Bin, Upper	13		Retainer, Glide
4	W10164045	Gasket, Door Apollo Grey	10	12925404SP	Adapter, Bin (Inner)	14		Bracket, Door
6	12924801SP	Bin, Lower	11	W10235357	Bracket/Glide Assembly			Slide
7	12925403SP	Adapter, Bin (Outer)	12	W10235367	Glide, Upper			Left
								Right

FOR ORDERING INFORMATION REFER TO PARTS PRICE LIST

# OPTIONAL PARTS (NOT INCLUDED)

For Models: MFX2571XEM2  
(Monochromatic Stainless)

Illus. No.	Part No.	DESCRIPTION	Illus. No.	Part No.	DESCRIPTION	Illus. No.	Part No.	DESCRIPTION
Parts Not Illustrated and Optional Parts (Not Included)			<b><u>Miscellaneous</u></b>			<b><u>TORX SCREW WRENCH</u></b>		
<b>Customer Touch-Up Material</b>			212643 Sealer, Gum (4 Feet)			1117510 Torx Key		
	*350942	Primer, White (13 Oz. Spray Can)		479502	Tape, Vinyl (3/4 x 108")			
	*350939	Enamel, Black (13 Oz. Spray Can)		876370	Kit, Insulation (2 Pcs. x 3" x 24" X 48")			
	*350930	Enamel, White (13 Oz. Spray Can)		876305	Kit, Insulation (14 Pcs. x 3" x 24" x 48")			
	22002901	Enamel, Bisque (12 OZ. Spray Can)		978941	Insulation, Fiberglass (63-1/2" x 35-1/2" X 2-5/8)			
	22002900	Enamel, Bisque (.6 OZ. Bottle)		876029	Kit, Foam Slab (30" x 32-1/2" x 1-1/2")			
	72017	Brush Touch-Up Kit (White)		505587	Sealer, Mastic (1 Qt.)			
	72032	Brush Touch-up kit (Black)		503695	Cork, Sealer (1/4 Pound)			
* <b>Important:</b> The spray paint is not to be used where the paint may make contact with the door gaskets.				20000008	Cleaner, Stnls Steel Magic			
				542638	Grease, Silicone (1/2 Oz.)			
<b><u>Refinishing Material</u></b>				542639	Cement, Alumilastic (1-1/4 Oz.)			
	799340	Enamel, Black (1 Qt. Uncut)		606755	Bag, Insulation (36-5/8" x 46")			
	799344	Enamel, White (1 Qt. Uncut)		833938	Kit, Terminal Connector			
				67007112	Ice Container Assembly			