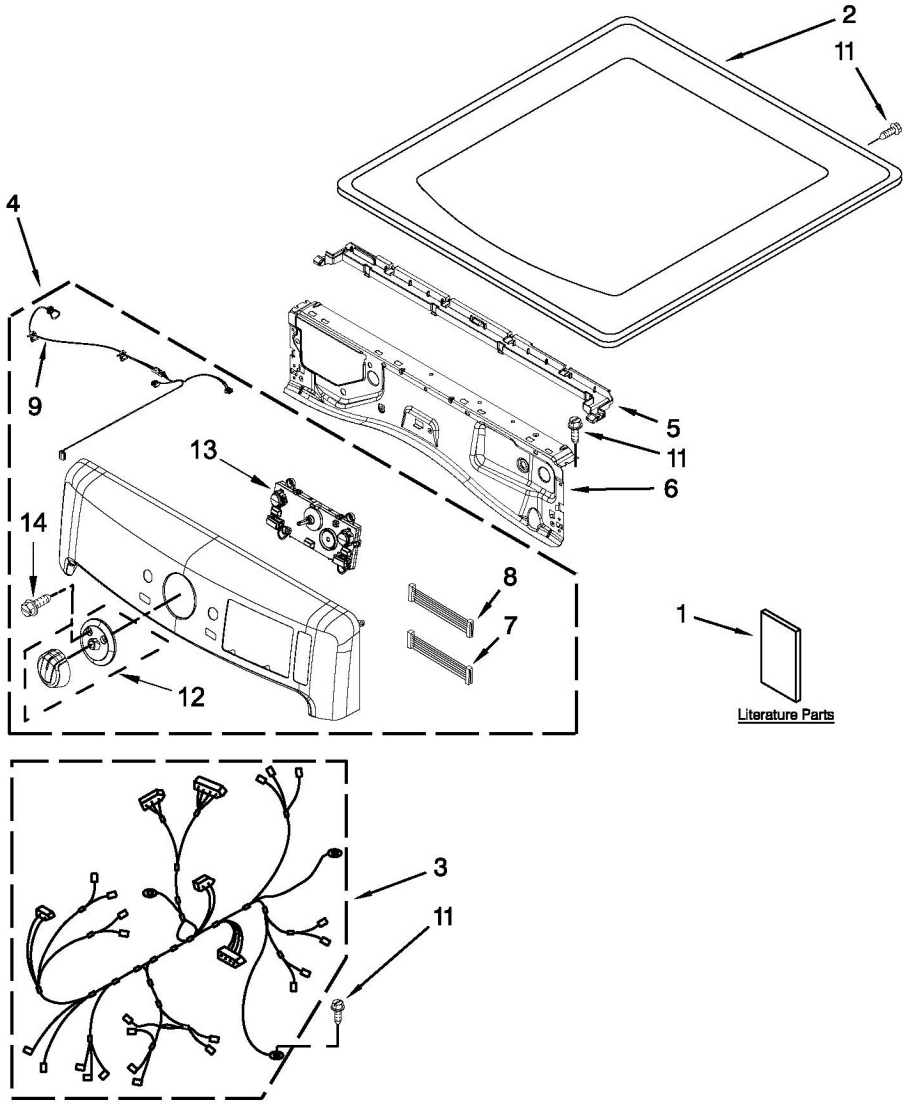


TOP AND CONSOLE PARTS

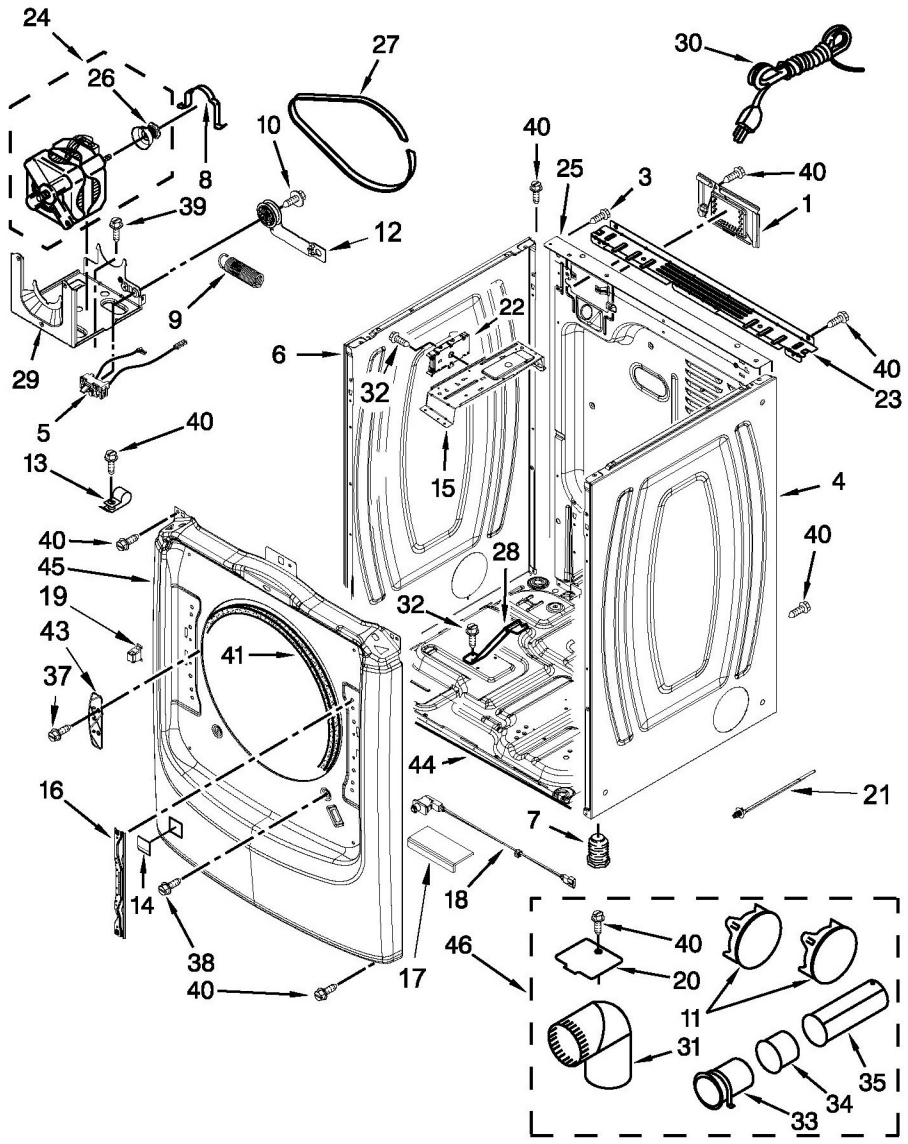




Secadora Maytag MGD7000XG2

<u>No. Ilus.</u>	<u>DESCRIPCIÓN</u>	<u>No. de Parte</u>
1	WIRING DIAGRAM	W10297011
1	USE AND CARE GUIDE	W10312954
1	TECH SHEET	W10420007
1	INSTALLATION INSTRUCTIONS	W10423115
2	TOP (WHITE)	W10208383
2	TOP (COSMETALLIC)	W10301057
3	HARNES, MAIN	W10441591
4	CONSOLE ASSEMBLY (WHITE)	W10464552
4	CONSOLE ASSEMBLY (COSMETALLIC)	W10464554
5	WATER CHANNEL	W10259210
6	BRACKET, CONSOLE	W10208198
7	HARNES, JUMPER	W10309986
8	HARNES, JUMPER	W10309987
9	CABLE, USER INTERFACE	W10450060
11	SCREW	3390647
12	KIT, KNOB AND INLAY	W10514146
13	UI, CENTER (INCLUD KNOB AND INLAY)	W10389298
14	SCREW	W10146359

CABINET PARTS





Secadora Maytag MGD7000XG2

No. Ilus.	DESCRIPCIÓN	No. de Parte
NI	FOOT, OPTIONAL	279810
1	COVER, TERMINAL BLOCK	8317339
3	SCREW	8533974
4	PANEL, SIDE (R.H.) (WHITE)	W10469589
4	PANEL, SIDE (R.H.) (COSMETALLIC)	W10469591
5	SWITCH, BROKEN BELT	W10411936
6	PANEL, SIDE (L.H.) (WHITE)	W10468495
6	PANEL, SIDE (L.H.) (COSMETALLIC)	W10468501
7	Foot, Dryer	3392100
8	CLAMP, MOTOR MOUNT	W10121316
9	SPRING, IDLER	W10446781
10	SCREW	3389420
11	PLUG, MULTIVENT (MIDNIGHT GREY)	W10404617
12	ASSEMBLY, IDLER	W10547287
13	Bracket, Gas Pipe	3978776
14	Plug, Front Panel (White)	8564457
14	PLUG, FRONT PANEL (COSMETALLIC)	W10301055
15	BRACKET, CONTROL	W10259611
16	BRACKET, DOOR HINGE	W10315109
17	Cover, Door Switch	W10215725
18	DOOR SWITCH ASSEMBLY	W10318609
19	ASSEMBLY, SPRING CATCH	W10208401
20	PLATE, COVER	W10354249
21	CABLE TIE	W10267532
22	CONTROL BOARD	W10378252
23	BRACKET, REAR	W10208382
24	ASSEMBLY, MOTOR	W10396038



Secadora Maytag MGD7000XG2

<u>No. Ilus.</u>	<u>DESCRIPCIÓN</u>	<u>No. de Parte</u>
25	PANEL, REAR	W10487430
26	PULLEY, MOTOR	W10460106
27	Belt, Drive	W10112954
28	Bracket, Burner	8529757
29	BRACKET, MOTOR MOUNTING	W10242878
30	CORD, POWER	W10440461
31	ELBOW	W10416072
32	Screw	693995
33	PIPE, EXHAUST (MEDIUM)	8563747
34	PIPE, EXHAUST (SHORT)	W10331278
35	PIPE, EXHAUST (LONG)	8563749
37	SCREW	W10288126
38	SCREW	3357011
39	SCREW	343641
40	SCREW	3390647
41	Seal, Front Panel	3387242
43	STRIKE, DOOR	W10208250
44	Base, Cabinet	8565046
45	FRONT PANEL (WHITE)	W10464575
45	FRONT PANEL (COSMETALLIC)	W10464576
46	KIT, 4-WAY VENT	W10323246

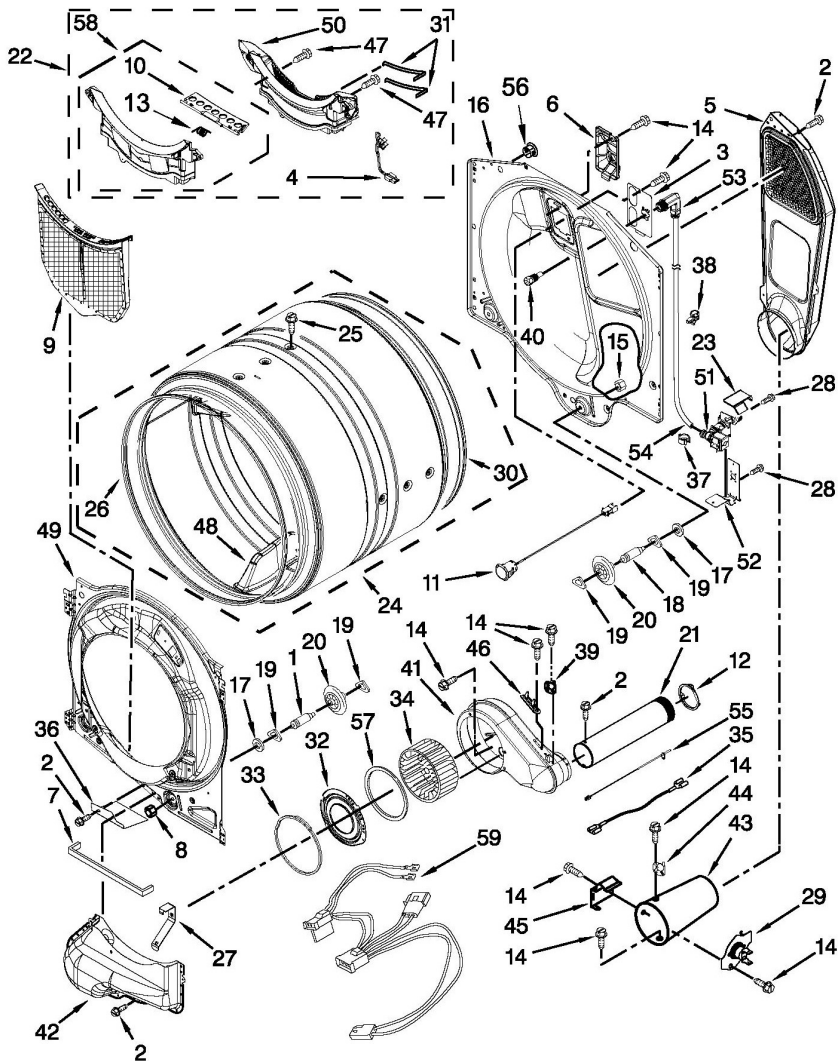
Distribuidor Autorizado

SurteRápido.com

Venta de Refacciones
Electrodomesticas

Secadora Maytag MGD7000XG2

BULKHEAD PARTS





Secadora Maytag MGD7000XG2

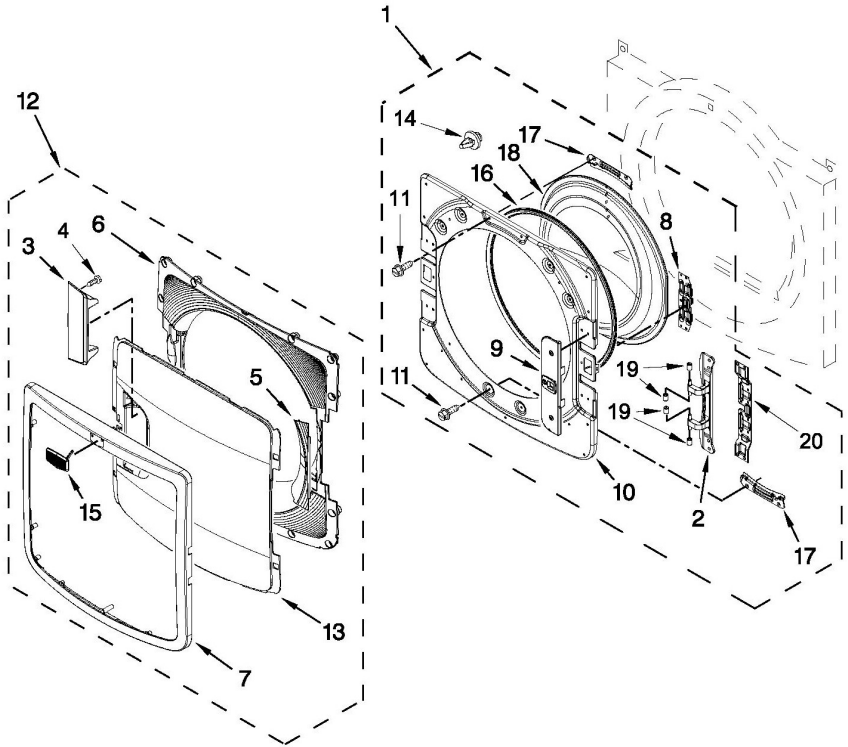
No. Ilus.	DESCRIPCIÓN	No. de Parte
1	SHAFT, DRUM ROLLER RIGHT	W10359271
2	SCREW	3390647
3	NOZZLE, BRACKET REAR	W10249422
4	HARNESS, SENSOR	W10298258
5	ASSEMBLY, AIR DUCT	W10295533
6	REAR DEFLECTOR	W10208422
7	SEAL, HOUSING OUTLET	W10211950
8	NUT, HEX	3934666
9	LINT SCREEN	W10370972
10	DOOR, LINT SCREEN	W10219016
11	DRUM LIGHT ASSEMBLY-LED	W10422853
12	COLLAR, DUCT	W10344699
13	SPRING, LINT SCREEN DOOR	W10219015
14	Screw	693995
15	NUT, HEX (LEFT HAND THREAD)	W10001120
16	BULKHEAD, REAR	W10211946
17	WASHER	3387459
18	SHAFT, DRUM ROLLER - LEFT	W10359272
19	WASHER, TRI RING	W10512946
20	ROLLER, SUPPORT	W10314171
21	EXHAUST PIPE	W10342188
22	ASSEMBLY, OUTLET GRILL AND HOUSING	W10219012
23	COVER, INLET VALVE	W10530670
24	DRUM ASSEMBLY COMPLETE	W10541656
25	SCREW	W10219342
26	SEAL, DRUM FRONT	W10521122



Secadora Maytag MGD7000XG2

No. Ilus.	DESCRIPCIÓN	No. de Parte
27	CLIP, LINT DUCT	W10414388
28	SCREW	90767
29	CUT-OFF, THERMAL	8573713
30	SEAL, DRUM	W10521118
31	SENSOR, ELECTRODE	3387223
32	ASSEMBLY, COLLAR	W10211901
33	SEAL, BLOWER COVER	W10211899
34	WHEEL, BLOWER	W10211915
35	JUMPER, TCO HIGH LIMIT	W10525140
36	SHIELD, BLOWER	W10128629
37	CLIP, PUSH TO CONNECT	W10044599
38	Tie, Cable	3391018
39	THERMISTOR	8577274
40	ASSEMBLY, NOZZLE AND SCREEN	W10277503
41	HOUSING, BLOWER	W10211911
42	ASSEMBLY, LINT DUCT	W10211896
43	Funnel, Burner	8573824
44	THERMOSTAT, HI LIMIT	3391912
45	Sensor, Radiant	338906
46	Fuse, Thermal (91 C)	3392519
47	SCREW	3387230
48	BAFFLE, DRUM	W10280771
49	BULKHEAD, FRONT	W10211930
50	GRILL, OUTLET	W10211903
51	VALVE, WATER INLET	W10505663

DOOR PARTS



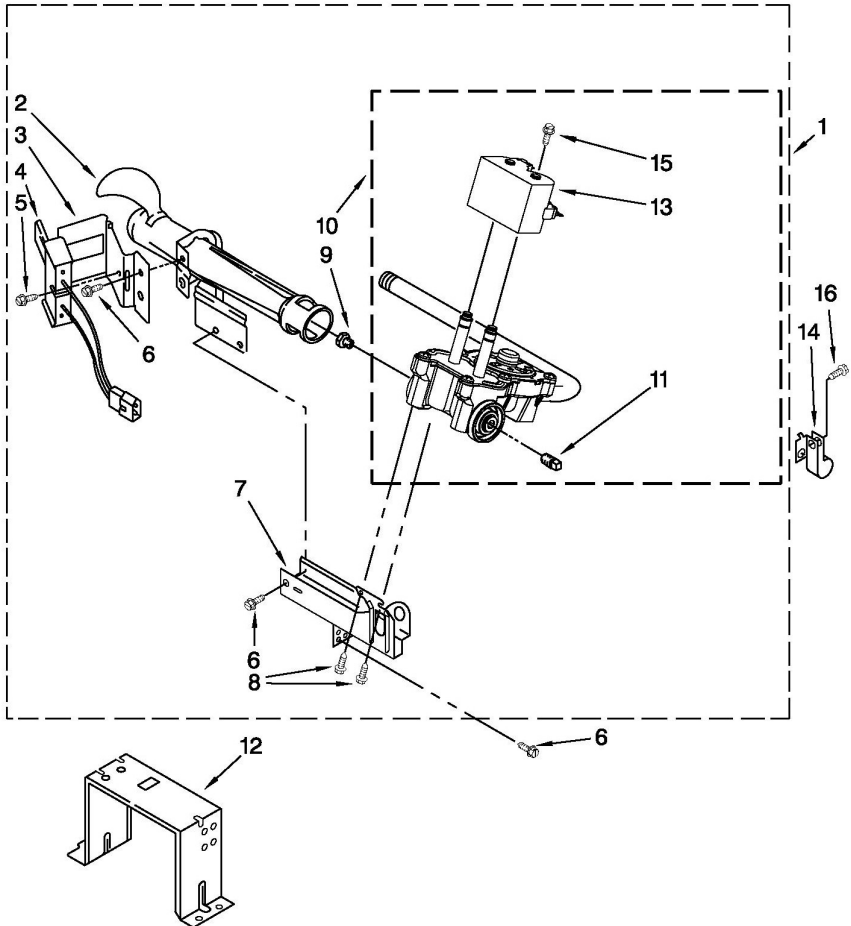


Secadora Maytag MGD7000XG2

<u>No. Ilus.</u>	<u>DESCRIPCIÓN</u>	<u>No. de Parte</u>
1	ASSEMBLY, INNER DOOR	W10272387
2	HINGE BASE	W10208415
3	HANDLE, DOOR	W10272398
4	Screw	9742177
5	PLUG, DOOR	W10272400
6	DOOR, INTERMEDIATE	W10272392
7	TRIM, DOOR	W10272390
8	ASSEMBLY, DOOR CATCH	W10208254
9	COVER, DOOR CATCH	W10272404
10	DOOR, INNER	W10285652
11	SCREW	W10288126
12	OUTER DOOR ASSEMBLY	W10272389
13	DOOR, OUTER SCREEN	W10272391
14	BUMPER, DOOR	8572266
15	BADGE (CHROME)	W10316087
16	SEAL, GLASS	W10329710
17	BRACKET, GLASS	W10208252
18	GLASS, DOOR	W10208417
19	CAP, HINGE	W10208398
20	PLATE, HINGE RETAINER	W10208419

W10307147 BURNER ASSEMBLY PARTS

USE WITH TYPE 1 - NATURAL, TYPE 2 - MIXED,
AND TYPE 4 - LIQUEFIED PROPANE AND BUTANE GASES





Secadora Maytag MGD7000XG2

No. Ilus.	DESCRIPCIÓN	No. de Parte
NI	FOLLOWING PARTS NOT ILLUSTRATED,	N/P
NI	CONVERSION KIT (TYPE 1 AND 2)	W10307153
1	BURNER ASSEMBLY	W10307147
2	Tube, Burner	688617
3	Bracket, Ignitor	694298
4	Ignitor	686590
5	SCREW	3393909
6	SCREW	343641
7	Base, Burner	3389871
8	SCREW	3387057
9	TYPE 1 (NATURAL)	15418
10	VALVE, GAS 60 HZ. (COMPLETE)	W10175144
11	PIPE PLUG	W10295523
12	Bracket, Support	3389889
13	COIL (60 HZ)	W10328463
14	Bracket, Gas Pipe	3978776
15	SCREW	326049536
16	SCREW	3390647