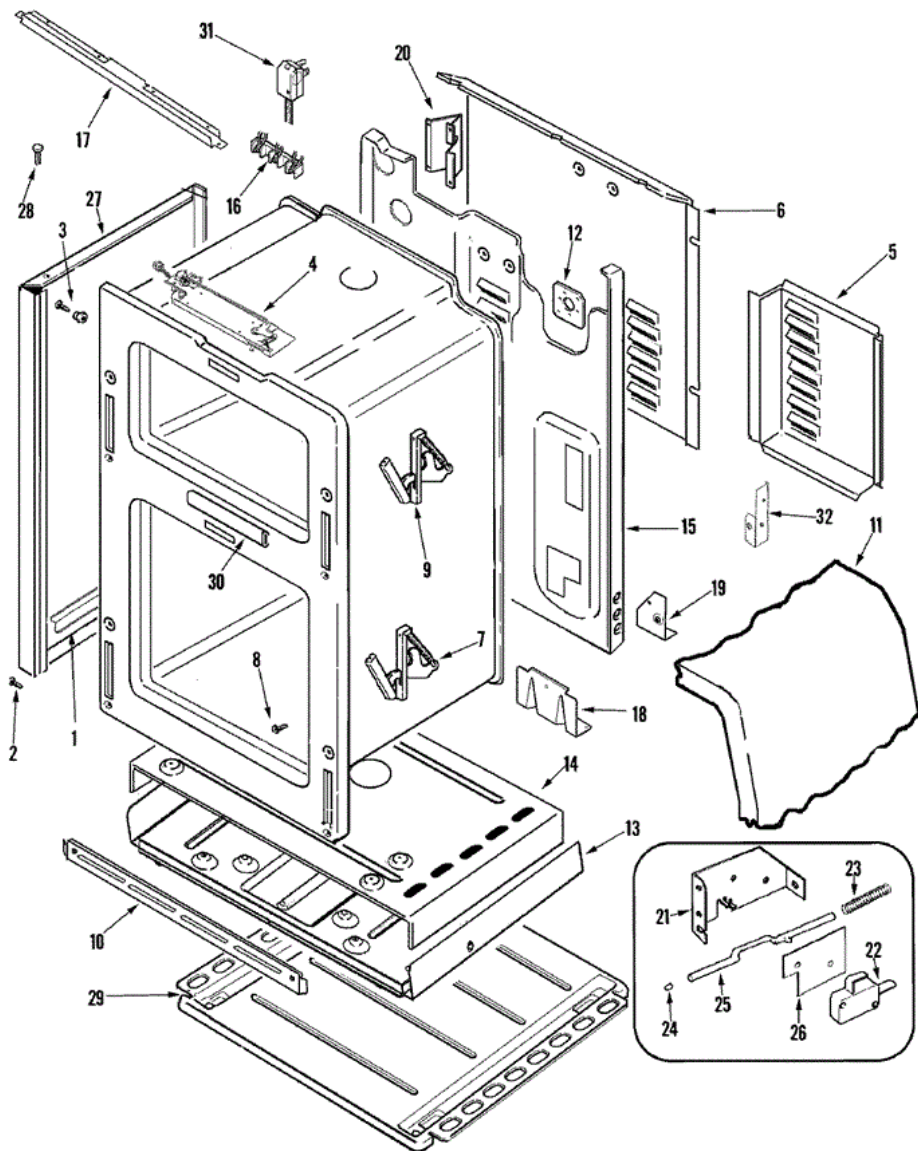


Distribuidor Autorizado

SurteRápido.com

Venta de Refacciones  
Electrodomesticas

# MGR6775ADS BODY



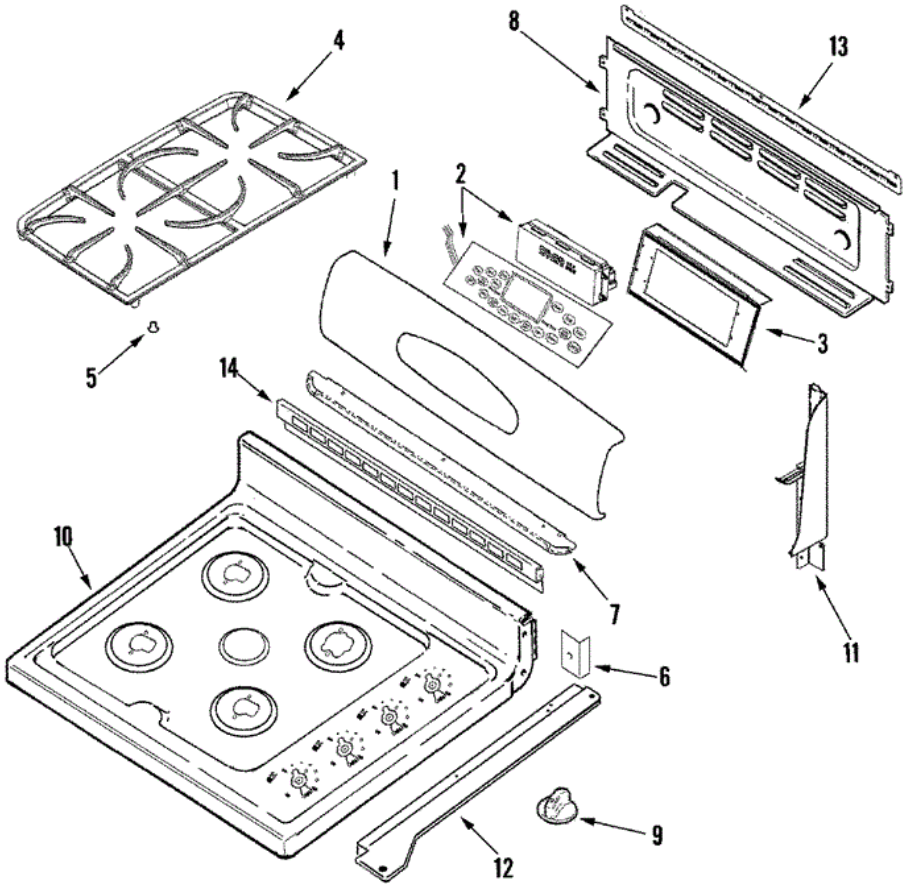


## MGR6775ADS BODY

1	74007427	10	SPACER, SIDE PANEL (LONG)
2	74001530	10	SCREW (8AB1/2-NI)
3	74007476	10	SCREW, W/SHOULDER
3	8004P024-60	10	SPACER, SIDE PANEL
4	74003975	10	SCREW (8ABX3/8-BLK)
4	74007429	10	LOCK, DOOR LATCH ASY.
5	74001530	10	SCREW (8AB1/2-NI)
5	74007430	10	COVER, MAIN WIRE (LWR)
6	74001530	10	SCREW (8AB1/2-NI)
6	74007431	10	COVER, MAIN WIRE (UPR)
7	74003968	10	HINGE, DOOR
8	7101P282-60	10	SCREW (10-24X5/16-NI)
9	74007830	10	HINGE ASSY. UPPER DOOR
10	74007436	10	TRIM, KICKPLATE (BLK)
10	74009537	10	SCREW (BLK)
11	74007440	10	INSULATION, WRAP (UPR)
11	74010089	10	INSULATION, OVEN WRAP (LWR)
11	74010090	10	INSULATION, BACK (UPR)
11	74010091	10	INSULATION, BACK (LWR)
12	74001530	10	SCREW (8AB1/2-NI)
12	74007450	10	PLATE, BROIL FITTING
13	74001530	10	SCREW (8AB1/2-NI)
13	74007443	10	RETAINER, BOTTOM INSUL.
14	74001530	10	SCREW (8AB1/2-NI)
14	74007577	10	COVER, BOTTOM INSULATION
15	74001530	10	SCREW (8AB1/2-NI)
15	74010104	10	BACK, MAIN
16	7401P039-60	10	BLOCK, TERMINAL
17	74003384	10	BRACKET, MAIN TOP
18	74001530	10	SCREW (8AB1/2-NI)
18	74005500	10	SUPPORT, OVEN (LWR)
19	74007446	10	BRACKET, REINFORCEMENT (LT)
19	74007447	10	BRACKET, REINFORCEMENT (RT)

20	74007448	10	BRACKET, REGULATOR
21	7101P347-60	10	SCREW (8ABX3/8-BLK)
21	74001632	10	BRACKET, SWITCH ACTUATOR
22	7101P330-60	10	SCREW, SWITCH
22	74004536	10	SWITCH
23	74001629	10	SPRING, DOOR SWITCH
24	74001631	10	BUMPER, ROD
25	74003562	10	ROD, DOOR LIGHT SWITCH
26	74001872	10	INSULATOR, SWITCH
27	74001530	10	SCREW (8AB1/2-NI)
27	74003283	10	PANEL, SIDE (BLK)
28	74001663	10	GLIDE
29	74009962	10	BASE, GEMINI
30	74007428	10	SEAL, FRONT FRAME
31	74007373	10	CORD, POWER
32	74007499	10	SUPPORT, OVEN UPR (RT)
32	74007500	10	SUPPORT, OVEN UPR (LT)

**MGR6775ADS CONTROL PANEL**



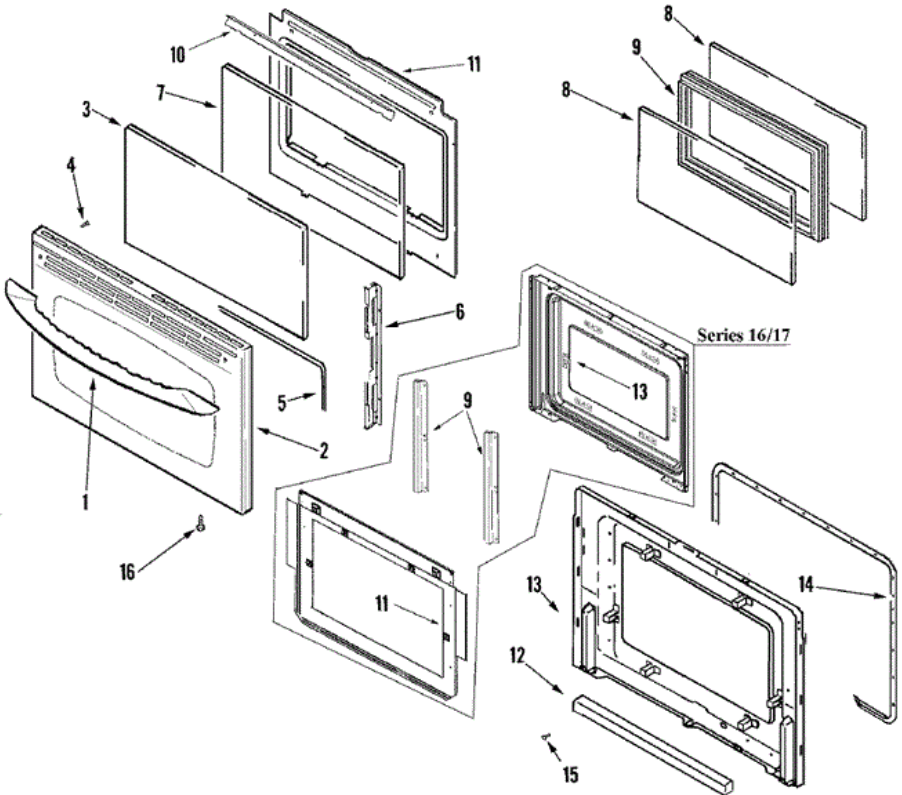


## MGR6775ADS CONTROL PANEL

1	74010072	10	PANEL, CONTROL (STL)
2	74010077	10	OVERLAY, H3 GAS CONTROL (BLK)
2	74010083	10	CONTROL, H3 (GAS)
2	74010580	11	CONTROL, H3 (GAS)
3	74003976	10	SCREW, SHOULDER
3	74009052	10	BRACKET, CLOCK
4	74010075	10	GRATE (BLK)
5	74007356	10	BUMPER, GRATE BOTTOM
6	7101P147-60	10	SCREW
6	74001530	10	SCREW (8AB1/2-NI)
6	74010106	10	BRACKET, MAIN TOP
6	W10124350	10	NOT REQUIRED PART OR SEE NOTE
7	74003975	10	SCREW (8ABX3/8-BLK)
7	74009656	10	TRIM, VENT (BLK)
8	7101P287-60	10	SCREW, METAL GROUNDING
8	7101P345-60	10	SCREW
8	74001530	10	SCREW (8AB1/2-NI)
8	74010087	10	HOUSING, CONTROL PANEL
9	74005934	10	GROMMET
9	74007368	10	GROMMET
9	74010079	10	KNOB (BLK)
10	74010066	10	TOP, MAIN 4 BURNER (BLK)
11	74003976	10	SCREW, SHOULDER
11	74009537	10	SCREW (BLK)
11	74009670	10	SUPPORT, BACKGUARD (BLK-LT)
11	74009673	10	SUPPORT, BACKGUARD (BLK-RT)
12	74001530	10	SCREW (8AB1/2-NI)
12	74007366	10	BOX, BURNER (LT)
12	74007367	10	BOX, BURNER (RT)
12	74007368	10	GROMMET
12	74007369	10	LOCK, PURSE
13	74001530	10	SCREW (8AB1/2-NI)
13	74010084	10	SHIELD, SIGHT

14	7101P147-60	10	SCREW
14	74009797	10	TRIM, VENT (BLK)

**MGR6775ADS DOOR (LOWER STL)**



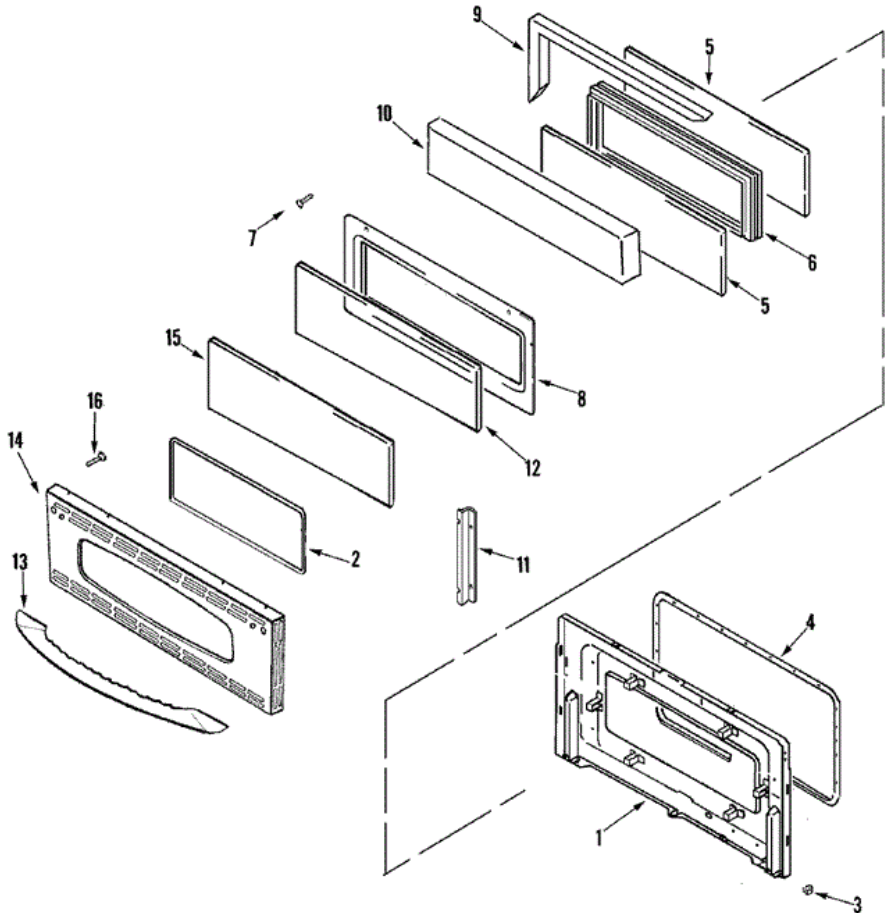


## MGR6775ADS DOOR (LOWER STL)

1	74008944	10	HANDLE, DOOR (STL)
1	74010973	13	HANDLE, DOOR (STL)
2	12002465	10	KIT, DOOR PANEL (STL)
2	74001574	10	NUT, SNAP (ROUND-BLK)
3	74010042	10	GLASS, OVEN DOOR (STL)
4	74006777	10	SCREW 10-32 W/ WASHER
4	74011772	13	SCREW, HANDLE
5	74009029	10	GASKET, DOOR WINDOW
6	74001530	10	SCREW (8AB1/2-NI)
6	74010041	10	RETAINER, DOOR GLASS
7	74003649	10	GLASS, DOOR
8	74003645	10	GLASS, INNER
9	74003644	10	FRAME, GLASS
9	74002979	16	SCREW, 8 X 1/2
9	74011458	16	BRACKET, INNER GLASS
10	74001530	10	SCREW (8AB1/2-NI)
10	74010040	10	SHIELD, DOOR (STL)
11	74001530	10	SCREW (8AB1/2-NI)
11	74009502	10	BAFFLE, OVEN DOOR
11	74001530	16	SCREW (8AB1/2-NI)
11	74011457	16	BAFFLE, OVEN DOOR
12	74003647	10	INSULATION, OVEN DOOR
13	74003642	10	LINING, DOOR
13	74011456	16	LINING, DOOR
14	7201P046-60	10	GASKET, DOOR
15	74001530	10	SCREW (8AB1/2-NI)
16	74001530	10	SCREW (8AB1/2-NI)



**MGR6775ADS DOOR (UPPER STL)**





## MGR6775ADS DOOR (UPPER STL)

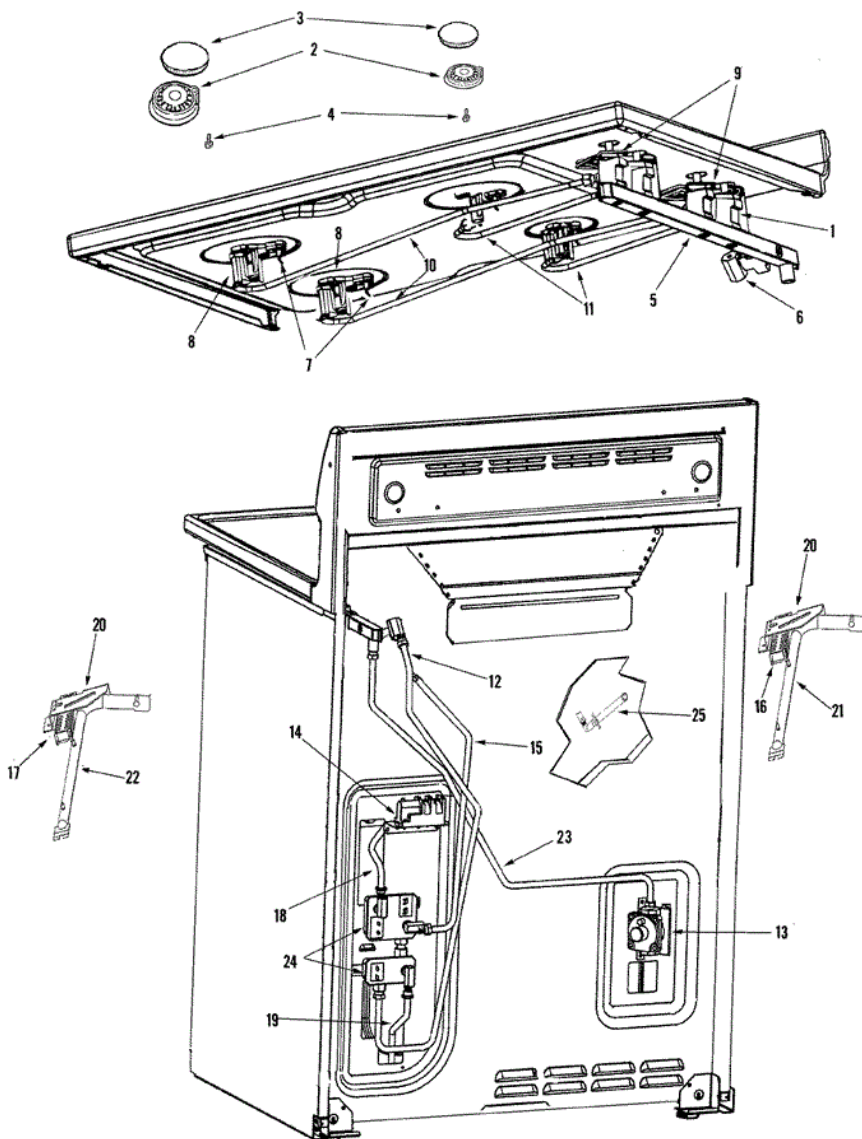
1	74004564	10	LINING, OVEN DOOR
2	74004906	10	GASKET, SILICONE
3	74001574	10	NUT, SNAP (ROUND-BLK)
4	74004565	10	GASKET, OVEN DOOR
5	74004566	10	GLASS, DOOR (INNER)
6	74004567	10	FRAME, GLASS
7	74001530	10	SCREW (8AB1/2-NI)
8	74001530	10	SCREW (8AB1/2-NI)
8	74009976	10	BAFFLE, OVEN DOOR
9	74004569	10	INSULATION, DOOR (8.5 X 21.5)
10	74004570	10	INSULATION, DOOR (3 X 8.7)-SUB
11	74001530	10	SCREW (8AB1/2-NI)
11	74004896	10	RETAINER, GLASS SUPPORT
12	74004691	10	GLASS, OVEN DOOR (INNER)
13	74001530	10	SCREW (8AB1/2-NI)
13	74008944	10	HANDLE, DOOR (STL)
13	74010973	13	HANDLE, DOOR (STL)
13	74011771	17	HANDLE, DOOR (STL)
14	12002466	10	KIT, DOOR PANEL (UPPER-STL)
14	74001530	10	SCREW (8AB1/2-NI)
15	74010046	10	GLASS, OUTER DOOR (STL-UPPER)
16	74006777	10	SCREW 10-32 W/ WASHER
16	74011772	17	SCREW, HANDLE

Distribuidor Autorizado

SurteRápido.com

Venta de Refacciones  
Electrodomesticas

# MGR6775ADS GAS CONTROLS



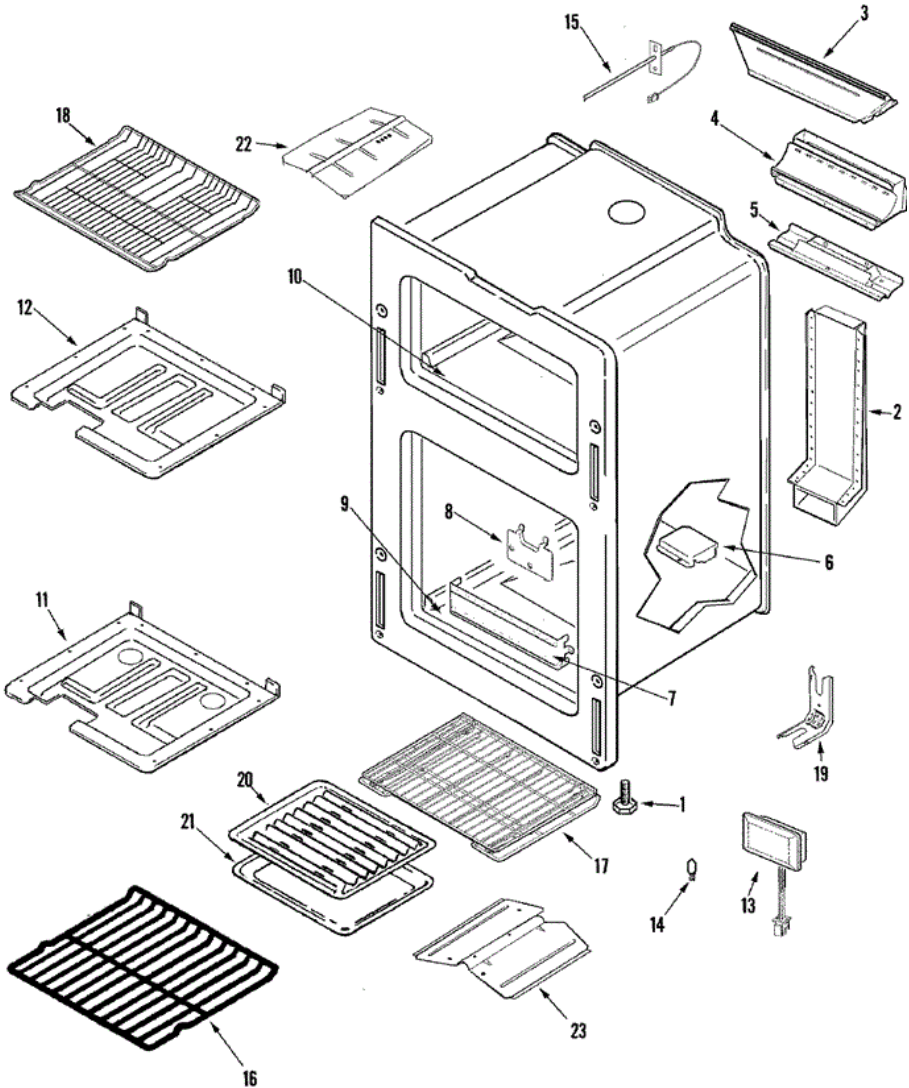


## MGR6775ADS GAS CONTROLS

1	12002268	10	KIT, VALVE/SCREW 5K(MUELLER)
1	12002269	10	KIT, VALVE/SCREW 9K(MUELLER)
1	12002270	10	KIT, VALVE/SCREW 16K(MUELLER)
2	74007411	10	BASE, BURNER (5K)
2	74007412	10	BASE, BURNER (9.2K)
2	74007413	10	BASE, BURNER (16K)
3	74007414	10	CAP, BURNER (LRG-BLK)
3	74007415	10	CAP, BURNER (MED-BLK)
3	74007416	10	CAP, BURNER (SMR-BLK)
4	74007410	10	SCREW, SELF TAPPING----S
5	74009902	10	PIPE, MANIFOLD
6	12002271	10	KIT, VALVE/SCREW S/O(MUELLER)
7	74007473	10	IGNITOR, SOURDILLION ASSY.
8	74007816	10	HOLDER, ORIFICE (5K)
8	74007961	10	HOLDER, ORIFICE (9.2K)
8	74007962	10	HOLDER, ORIFICE (16K)
9	74008212	10	COVER, VALVE SWITCH
9	74009455	10	HARNESS, SWITCH/COMPLETE ASY.
10	74009240	10	TUBING, TOP BURNER (RT)
10	74009242	10	TUBING, TOP BURNER (LT)
11	74010097	10	TUBING, TOP BURNER (RR)
12	74010096	10	TUBING, MANIFOLD TO VALVE
12	74011291	14	TUBING, MANIFOLD TO VALVE
13	74007387	10	REGULATOR
14	74001530	10	SCREW (8AB1/2-NI)
14	74008821	10	MODULE, SPARK
15	74010095	10	TUBING, UPPER BROIL
15	74011292	14	TUBING, UPPER BROIL
16	74007966	10	IGNITOR, BROIL BURNER
17	7101P282-60	10	SCREW (10-24X5/16-NI)
17	74007965	10	IGNITOR, BAKE BURNER
18	74007451	10	NUT, ORIFICE MOUNTING
18	74009246	10	TUBING, BAKE BURNER (UPR)

18	74011293	14	TUBING/ORIFICE, BURNER (UPR)
19	74009247	10	TUBING, BAKE BURNER (LWR)
19	74011296	14	TUBING/ORIFICE, BURNER (LWR)
20	74007426	10	BRACKET, ORIFICE FITTING
21	7101P287-60	10	SCREW, METAL GROUNDING
21	7103P030-60	10	NUT, WING
21	74010093	10	BURNER, BROIL
22	7103P030-60	10	NUT, WING
22	74010094	10	BURNER, BAKE
23	74010098	10	TUBING, REGULATOR TO MANIFOLD
24	74001530	10	SCREW (8AB1/2-NI)
24	74007408	10	VALVE, BAKE & BROIL
24	74011290	14	VALVE, BAKE & BROIL
25	7101P274-60	10	SCREW, NO.10 X .5 TYA
25	74009901	10	ORIFICE, BROIL
25	74009910	10	FITTING, BROIL ORIFICE
25	74010612	12	ORIFICE/FITTING, BROIL

**MGR6775ADS OVEN**





## MGR6775ADS OVEN

1	74002373	10	LEG, LEVELING
2	74001530	10	SCREW (8AB1/2-NI)
2	74007374	10	EXTENSION, VENT (LWR)
2	74007956	10	ASSEMBLY. FLUE (LOWER)
3	74001530	10	SCREW (8AB1/2-NI)
3	74007955	10	ASSEMBLY, FLUE
4	74001530	10	SCREW (8AB1/2-NI)
4	74007376	10	EXTENSION, VENT (UPR)
5	74007377	10	BRACKET, VENT (UPR)
6	74001530	10	SCREW (8AB1/2-NI)
6	74010102	10	COVER, BURNER OPENING
7	74001530	10	SCREW (8AB1/2-NI)
7	74007383	10	BAFFLE, OVEN VENT-GAS (LWR)
8	4005F421-45	10	COVER, IGNITER
8	74001530	10	SCREW (8AB1/2-NI)
9	74007382	10	BOTTOM, OVEN GAS (LWR)
10	74010085	10	BOTTOM, OVEN (UPPER)
11	74010101	10	PAN, BAKE BURNER (LWR)
12	74010103	10	PAN, BAKE (UPR)
13	74009970	10	HALOGEN LAMP ASSY.
14	74009925	10	BULB, HALOGEN (BI-PIN LOW)
15	74001530	10	SCREW (8AB1/2-NI)
15	74003094	10	SENSOR, OVEN (SHORT)
15	74004944	10	SENSOR, OVEN (SHORT)
16	74001757	10	RACK, OVEN
17	74005218	10	RACK, TELESCOPING ASSY
18	74004578	10	RACK, OVEN (UPR)
19	74005564	10	BRACKET, ANTI-TIP
20	Y3413F01619	10	INSERT, BROIL PAN
21	Y3401F02019	10	PAN, BROIL
22	74010086	10	BAFFLE, BROIL
23	74007406	10	BAFFLE, BAKE