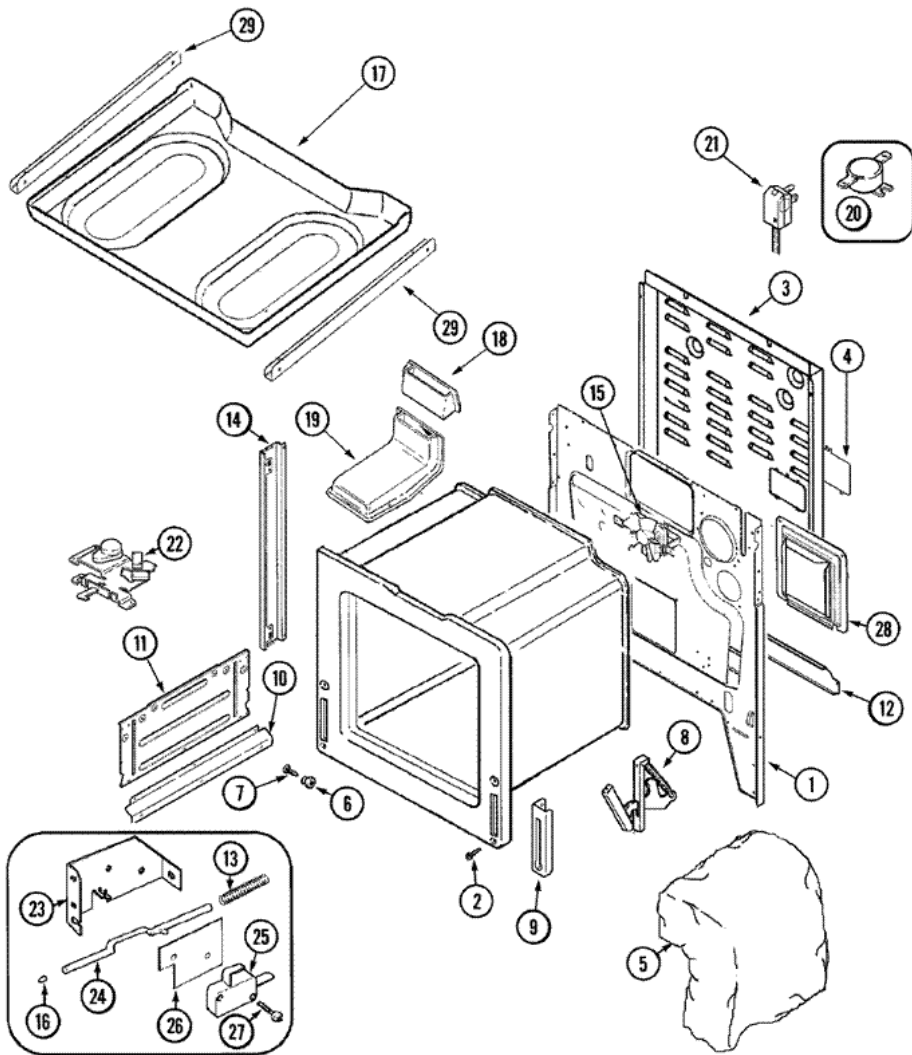


Distribuidor Autorizado

SurteRápido.com

Venta de Refacciones
Electrodomesticas

MGS5870ADC GABINETE



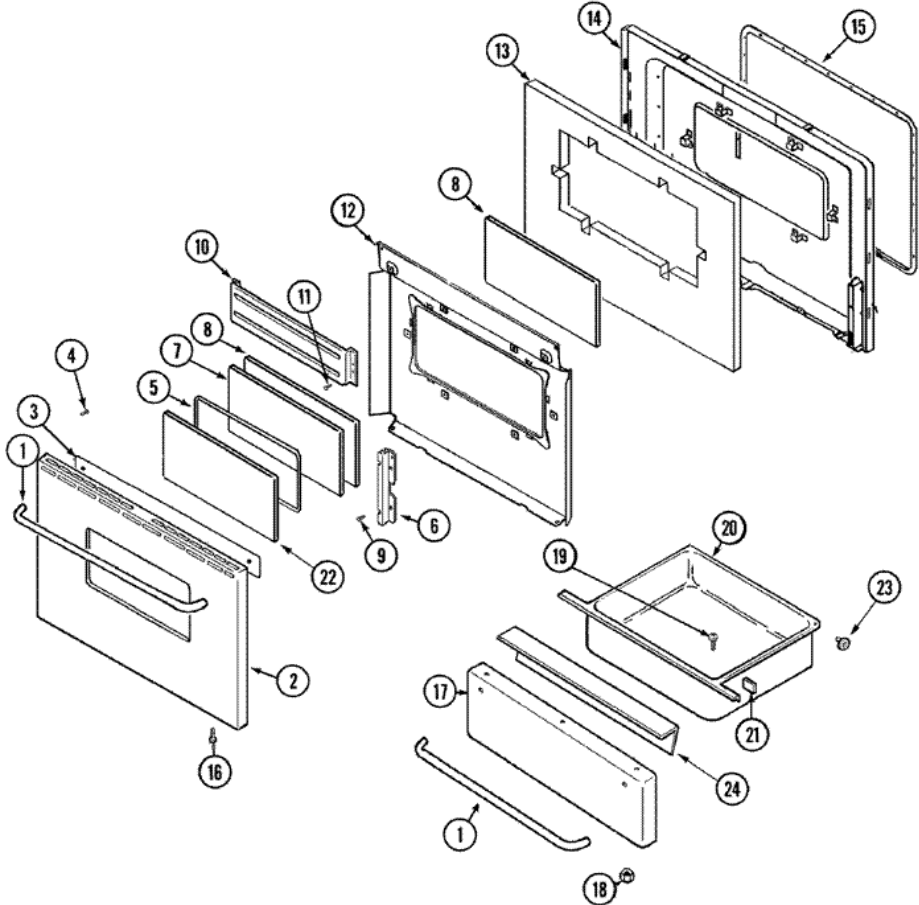


MGS5870ADC GABINETE

1	74010949	BACK, MAIN (S/P)
2	7101P282-60	SCREW (10-24X5/16-NI) (S/P)
3	W10203736	COVER, WIRE (REAR) (S/P)
4	4005F612-51	COVER, TERMINAL BLOCK (S/P)
5	74003503	INSULATION, OVEN (S/P)
5	74009201	INSULATION, OVEN WRAP (S/P)
6	8004P024-60	SPACER, SIDE PANEL (S/P)
7	74001449	SCREW (8ABX13/16-ZN) (S/P)
8	74011141	HINGE, DOOR (S/P)
9	74004173	PLATE, HINGE DESCONTINUADO
9	74001530	SCREW (8AB1/2-NI) (S/P)
10	74001530	SCREW (8AB1/2-NI) (S/P)
10	3826F028-51	EXTENSION, HEAT SHIELD (S/P)
11	3604F359-51	SHIELD, HEAT (S/P)
11	74001530	SCREW (8AB1/2-NI) (S/P)
12	74004175	EXTENSION, MAIN BACK (S/P)
12	74001530	SCREW (8AB1/2-NI) (S/P)
13	74001629	SPRING, DOOR SWITCH (S/P)
14	74001530	SCREW (8AB1/2-NI) (S/P)
14	74004216	TRIM, SIDE (BLK) (S/P)
15	74001530	SCREW (8AB1/2-NI) (S/P)
15	74004947	FAN MOTOR ASY. (S/P)
16	74001631	BUMPER, ROD (S/P)
17	74004826	ASSY., BURNER BOX DESCONTINUADO
17	4011F367-80	BOX, BURNER (S/P)
17	7201P017-60	GASKET, WINDOW (S/P)
18	74004294	EXTENSION, FLUE BOX (S/P)
19	74003976	SCREW, SHOULDER (S/P)
19	4006D187-45	BOX, VENT (S/P)
20	7403P249-60	SWITCH, HI LIMIT (S/P)
20	7101P349-60	SCREW (S/P)
21	74004438	CORD, POWER (S/P)
21	74006037	BLOCK, TERMINAL (S/P)

22	74001530	SCREW (8AB1/2-NI) (S/P)
22	74003975	SCREW (8ABX3/8-BLK) DESCONTINUADO
22	74005675	ASSEMBLY, DOOR LATCH (S/P)
23	7101P347-60	SCREW (8ABX3/8-BLK) (S/P)
23	74001632	BRACKET, SWITCH ACTUATOR (S/P)
24	74003562	ROD, DOOR LIGHT SWITCH (S/P)
25	74001802	SWITCH (S/P)
26	74001872	INSULATOR, SWITCH (S/P)
27	7101P330-60	SCREW, SWITCH (S/P)
28	74001530	SCREW (8AB1/2-NI) (S/P)
28	74004348	RETAINER, INSULATION (S/P)
29	74001530	SCREW (8AB1/2-NI) (S/P)
29	3801F659-51	BRACKET, SUPPORT (S/P)

MGS5870ADC PUERTA





MGS5870ADC PUERTA

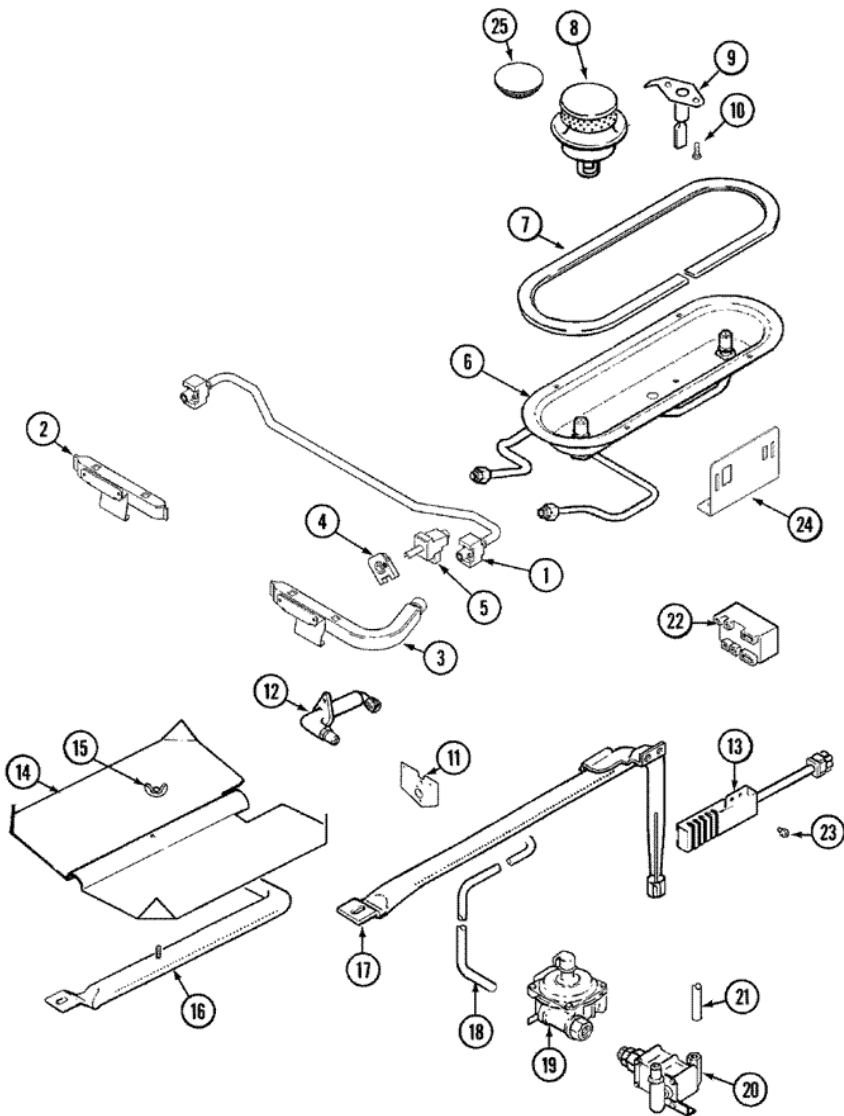
1	12001917	HANDLE, DOOR (S/P)
2	74004873	PANEL, DOOR (CHR) (S/P)
3	74003146	INSULATION, FOIL BACK (S/P)
4	74001521	WASHER (1`') (S/P)
4	74004310	SCREW, PANEL (S/P)
5	7201P017-60	GASKET, WINDOW (S/P)
6	74003048	RETAINER, GLASS (S/P)
7	74002002	GLASS, INNER (S/P)
8	74003320	GLASS, INNER (S/P)
9	74001530	SCREW (8AB1/2-NI) (S/P)
10	74005458	BAFFLE, DOOR (SECONDARY) (S/P)
11	7101P126-60	SCREW, FRAME (S/P)
12	3601F353-45	BAFFLE, DOOR (S/P)
13	74001842	INSULATION, DOOR (S/P)
14	2402W271-19	LINING, OVEN DOOR (S/P)
15	W10162384	GASKET, DOOR (S/P)
16	74001530	SCREW (8AB1/2-NI) (S/P)
17	74003312	PANEL, DRAWER (CHR) (S/P)
18	74003643	NUT, SNAP (SQUARE-BLK) (S/P)
19	74004208	SCREW (S/P)
20	74008337	DRAWER, STORAGE (S/P)
21	74005546	SPACER, RUBBER (S/P)
22	74001072	GLASS, OUTER DOOR (BLK) (S/P)
23	74004078	ROLLER, DRAWER (S/P)
23	74005231	SHAFT, STORAGE DRAWER ROLLER (S/P)
24	2404F030-51	LINING, DRAWER PANEL (S/P)

Distribuidor Autorizado

SurteRápido.com

Venta de Refacciones
Electrodomesticas

MGS5870ADC QUEMADOR





MGS5870ADC QUEMADOR

1	74004299	GASKET, TUBING (S/P)
1	74004298	TUBING, MANIFOLD CROSSOVER (S/P)
2	74004411	PIPE, MANIFOLD (LT) (S/P)
3	74009536	PIPE, MANIFOLD (S/P)
3	74004412	PIPE, MANIFOLD (RT) (S/P)
4	7403P287-60	SWITCH, IGNITER (S/P)
4	74007095	SWITCH, IGNITER (S/P)
5	74009535	VALVE, MUELLER (S/P)
5	12002317	VALVE, TOP BURNER (S/P)
5	12002318	VALVE, TOP BURNER (S/P)
5	12002313	VALVE, MUELLER (S/P)
5	12002316	VALVE, TOP BURNER (S/P)
6	5787M062-60	ORIFICE PAN ASSY. (LT) (S/P)
6	5787M063-60	ORIFICE PAN ASSY. (RT) (S/P)
6	74004306	GROMMET (S/P)
7	74006056	GASKET, BURNER PAN (S/P)
8	3412D024-09	BURNER, SEALED (BLK) (S/P)
8	3412D021-09	BURNER, SEALED (BLK) (S/P)
9	74004410	IGNITER (S/P)
9	74004053	IGNITER, TOP BURNER (S/P)
10	Y707113	SCREW (S/P)
11	74004307	PLATE, BROIL FITTING (S/P)
12	74004461	FITTING, BROIL BURNER (S/P)
12	7101P274-60	SCREW, No.10 X .5 TYA (S/P)
12	74007593	ORIFICE HOOD .049 (LP) (S/P)
13	74007498	IGNITER, OVEN (S/P)
14	3601F307-45	BAFFLE, BROIL (S/P)
15	7103P030-60	NUT, WING (S/P)
16	74004076	BURNER, BROIL (S/P)
17	74003960	BURNER, BAKE (S/P)
17	3807F446-45	SUPPORT, BURNER (S/P)
18	7103P130-60	NUT, LOXIT (3/8``) (S/P)
18	74004462	TUBING, REGULATOR/PIPE (3/8``) (S/P)

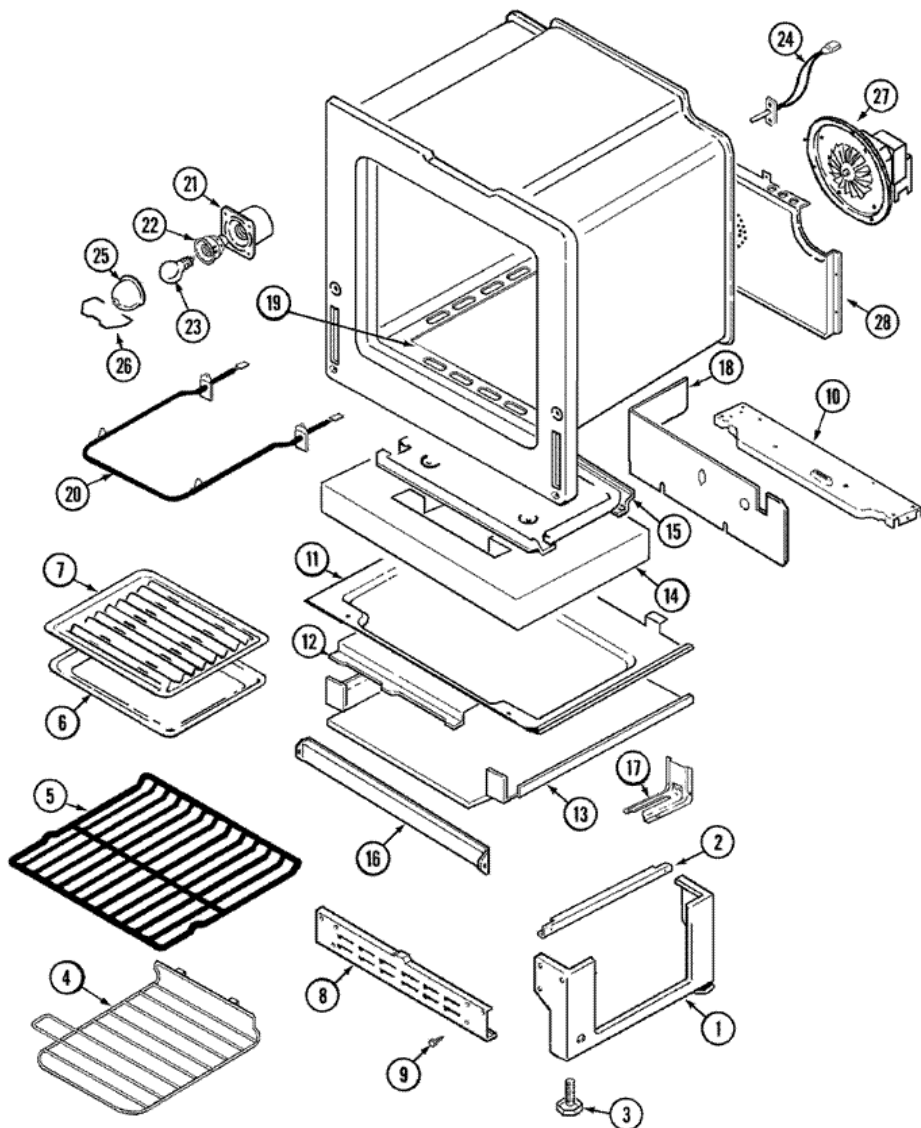
19	74006429	REGULATOR, PRESSURE (S/P)
20	12002227	VALVE, OVEN (S/P)
20	74006427	VALVE, OVEN (S/P)
21	74004408	TUBING (3/8``) (S/P)
22	8215557	MODULE, SPARK (4+0) (S/P)
23	4005F421-45	COVER, IGNITER (S/P)
23	74001530	SCREW (8AB1/2-NI) (S/P)
24	3807F752-45	SUPPORT, SPARK MODULE (S/P)
25	3403F088-00	CAP, BURNER (BLK) (S/P)
26	74009533	WIRE, 3.5`` (BLK 18G) (S/P)
26	74006047	SCREW, HEX (BLK) (S/P)
26	74009534	WIRE, 3.5`` (TAN 18G) (S/P)
27	W10124350	NOT REQUIRED PART (S/P)
27	74007593	ORIFICE HOOD .049 (LP) (S/P)

Distribuidor Autorizado

SurteRápido.com

Venta de Refacciones
Electrodomesticas

MGS5870ADC REJILLAS





MGS5870ADC REJILLAS

1	74005772	PEDESTAL, SIDE DESCONTINUADO
2	74001530	SCREW (8AB1/2-NI) (S/P)
2	W10182835	RUNNER, DRAWER (S/P)
3	74002557	LEG, LEVELING (S/P)
4	74003590	RACK, HALF (FLUSH CONV. COVER) (S/P)
4	74007263	HALFRACK (ROUND CONV. COVER) DESCONTINUADO
5	7801P054-60	RACK, OVEN (S/P)
6	3401F075-19	PAN, BROIL (S/P)
7	Y3413F01619	INSERT, BROIL PAN (S/P)
8	4020F001-80	PEDESTAL, FRONT/REAR (S/P)
9	74001530	SCREW (8AB1/2-NI) (S/P)
10	74007129	SUPPORT (S/P)
11	3804F245-51	RETAINER, BOTTOM INSULATION (S/P)
12	3604F327-51	SHIELD, HEAT (S/P)
13	W10177095	SHIELD, DRAWER (S/P)
14	74010942	INSULATION, BACK/BOTTOM (S/P)
15	3401F044-45	PAN, BAKE BURNER (S/P)
16	3601F251-45	BAFFLE, OVEN FRONT (S/P)
16	74003976	SCREW, SHOULDER (S/P)
17	7101P352-60	SCREW (S/P)
17	3801F656-51	BRACKET, ANTI-TIP (S/P)
18	4005F620-51	COVER, BURNER VALVE (S/P)
18	74001530	SCREW (8AB1/2-NI) (S/P)
19	5504M003-19	BOTTOM, OVEN ASSY. (S/P)
20	74003908	ELEMENT, BROIL (S/P)
20	74001530	SCREW (8AB1/2-NI) (S/P)
21	4001F109-45	HOUSING, BULB (S/P)
22	74001530	SCREW (8AB1/2-NI) (S/P)
22	74003387	RECEPTACLE, BULB (S/P)
23	7407P103-60	BULB, OVEN (S/P)
24	74001530	SCREW (8AB1/2-NI) (S/P)
24	12001655	PROBE, OVEN SENSOR (SHORT) (S/P)
25	74003389	COVER, BULB (S/P)

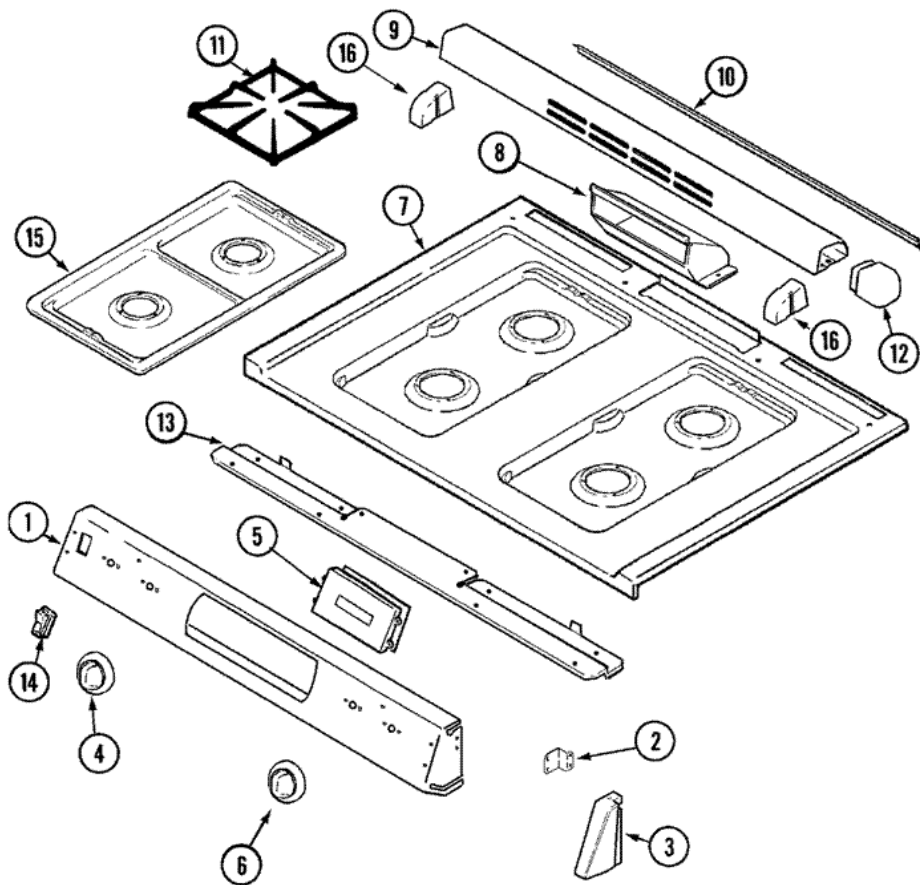
26	74003391	RETAINER, BULB COVER (S/P)
27	74005676	FAN ASSY. (GAS-CONVECTION) (S/P)
28	74003697	COVER, OVEN BACK (CONVECT) DESCONTINUADO
28	3605F305-19	COVER, CONVECT (S/P)

Distribuidor Autorizado

SurteRápido.com

Venta de Refacciones
Electrodomesticas

MGS5870ADC CUBIERTA





MGS5870ADC CUBIERTA

1	74001530	SCREW (8AB1/2-NI) (S/P)
1	74006050	PANEL, MANIFOLD (CHR) (S/P)
2	790448	SCREW (8ABX1/2`-BLK) (S/P)
2	3801F555-51	BRACKET, END CAP (S/P)
2	3801F664-51	BRACKET, END CAP (S/P)
3	74004816	CAP, END (BLK-LT) (S/P)
3	74004208	SCREW (S/P)
3	74004813	CAP, END (BLK-RT) (S/P)
4	74004435	KNOB, VALVE (BLK) (S/P)
5	5760M308-60	CLOCK W/OVERLAY (BLK) (S/P)
5	74004316	INSULATOR, FIBER BOARD (S/P)
5	7101P349-60	SCREW (S/P)
6	74007362	KNOB, VALVE (BLK) (S/P)
6	W10124350	NOT REQUIRED PART OR SEE NOTE (S/P)
7	12002119	TOP, MAIN (CHR) (S/P)
8	3601F221-45	BAFFLE, VENT COVER (S/P)
8	74004288	SCREW (6ABX3/8-SN) (S/P)
9	74005323	COVER, VENT (BLK) (S/P)
10	7201P061-60	GASKET (S/P)
11	74003779	GRATE (BLK) (S/P)
12	74001530	SCREW (8AB1/2-NI) (S/P)
12	74004365	END CAP, VENT (RT-BLK) (S/P)
12	74004364	END CAP, VENT (LT-BLK) (S/P)
13	7101P338-60	SCREW (8BX3/8-NI) (S/P)
13	74004460	SUPPORT, MANIFOLD PANEL DESCONTINUADO
14	74008718	SWITCH, ROCKER (BLK) (S/P)
15	7725P021-60	BOWL, DRIP (DBL-CHR) (S/P)
16	74006057	INSERT, OVEN VENT (S/P)
17	74004335	HARNESS, SENSOR & LOCK (S/P)
17	74005674	HARNESS, SENSOR & LOCK (S/P)
17	12001323	WIRE/TERMINAL KIT DESCONTINUADO
18	74007013	HARNESS, SPARK (4-OR) (S/P)