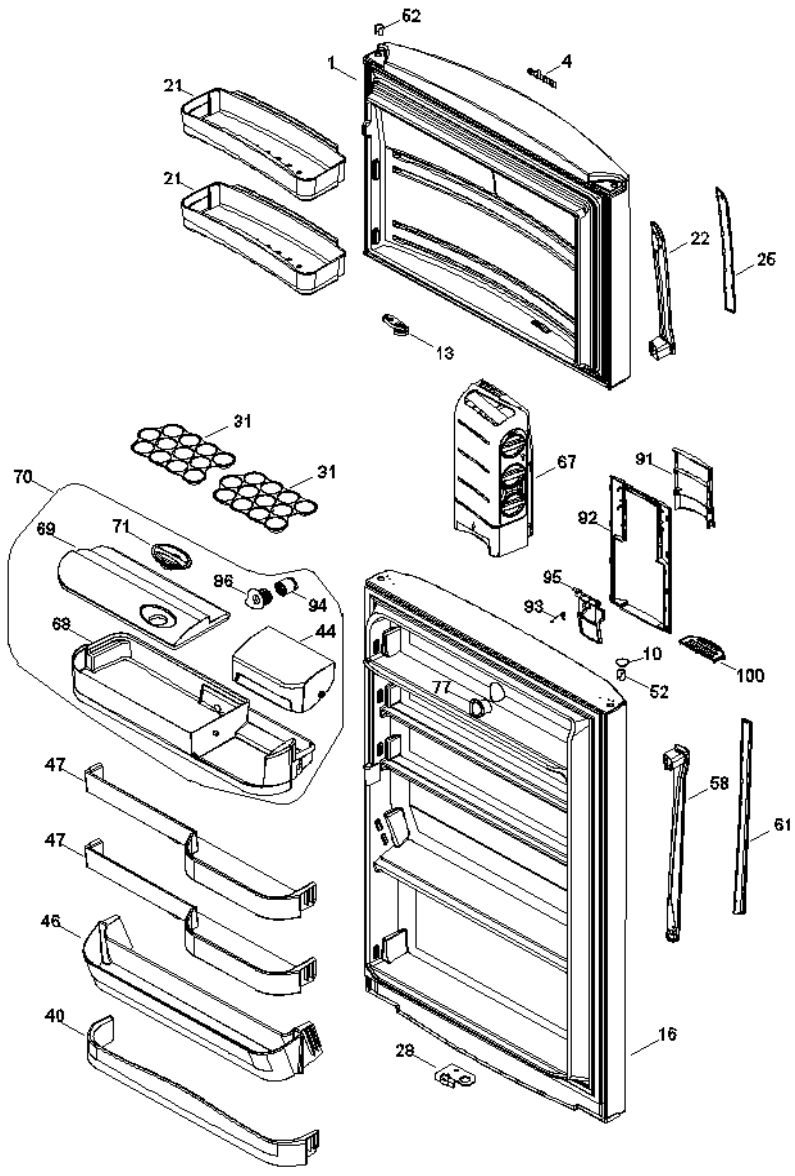
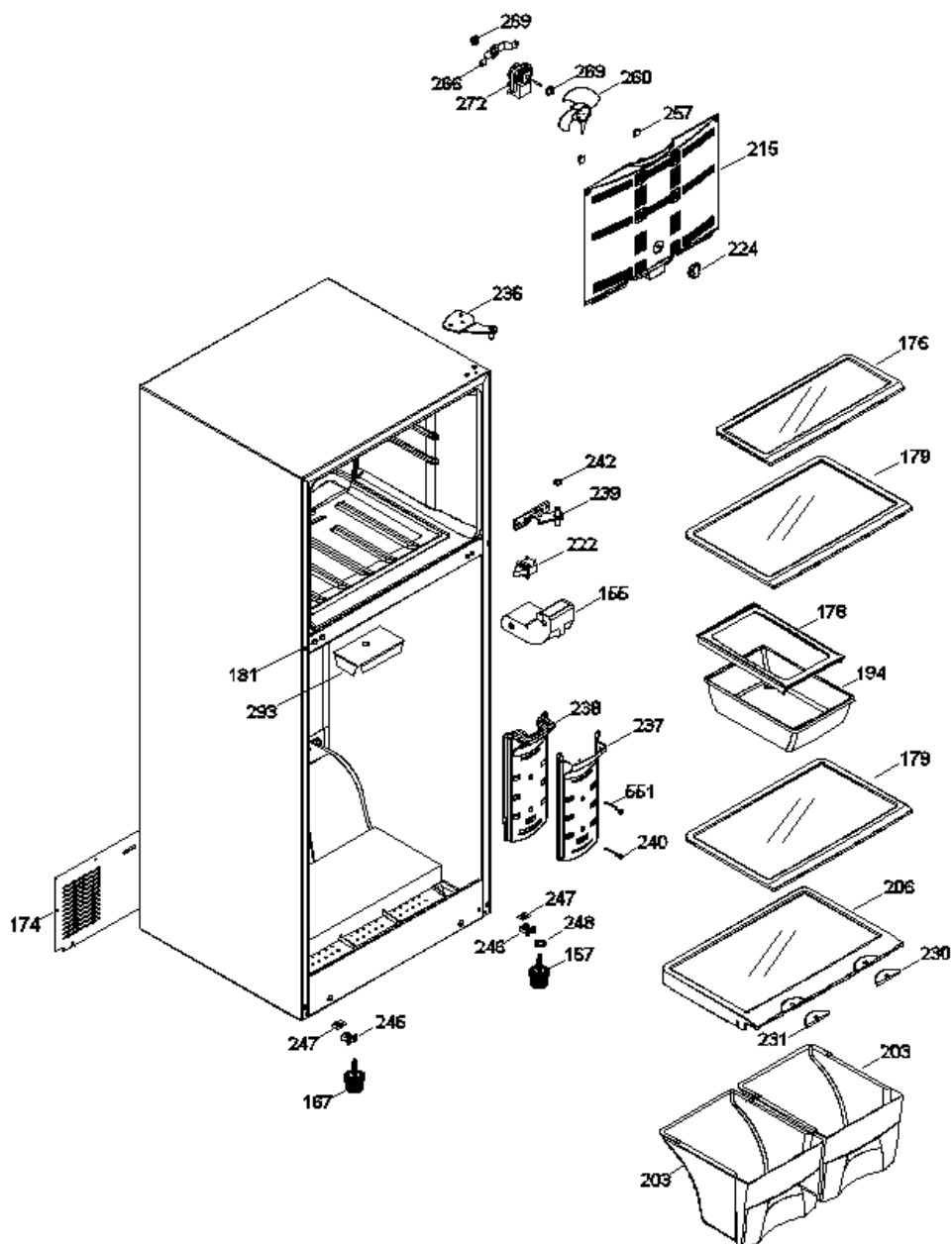


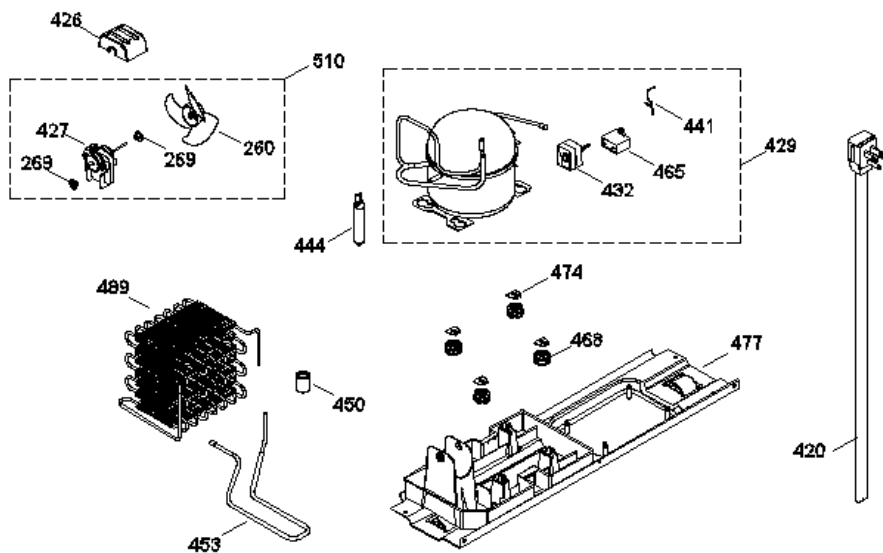
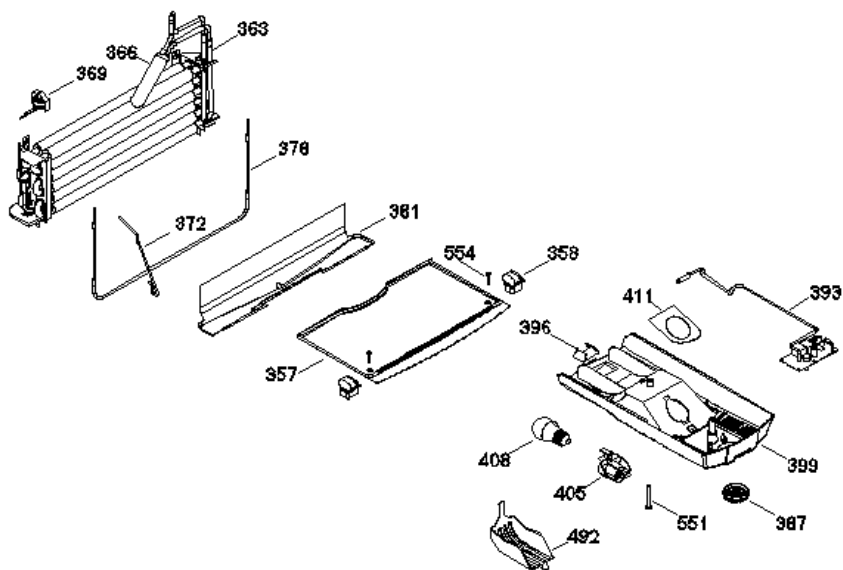
**MGT61XJTAMS0**



# MGT61XJTAMS0



# MGT61XJTAMS0



## MGT61XJTAMS0

|     |              |                                |
|-----|--------------|--------------------------------|
| 1   | 225D4263G004 | PTA.FZ.ESP.16-18 XI-XJ         |
| 4   | 238C3975G001 | PLACA EMBLEMA MABE 200         |
| 10  | 238C1221P007 | TAPON BUJE GRIS 285            |
| 13  | 355B1499P006 | TOPE PUERTA CONGELADOR NATURAL |
| 16  | 225D4265G008 | PTA.FF.ESP.16 XJ.PREM          |
| 21  | 200D6479P001 | ANAQUEL DESLIZABLE 16-18       |
| 22  | 225D4146P006 | BASE JALADERA CROMADA CONG     |
| 25  | 225D4148P008 | INSERTO PLATA 72 FZ PR         |
| 28  | 238C2106P001 | TOPE PUERTA REFRIGERADOR       |
| 31  | 200D2724P004 | CHAROLA DE HUEVOS              |
| 40  | 200D2316P001 | ANAQUEL ANGOSTO 1618 HI        |
| 44  | 225D3718P002 | PTA MANT 16-18 "LACTEO         |
| 46  | 200D3719P001 | ANAQUEL INCLINADO              |
| 47  | 200D2315P001 | ANAQUEL DOBLE PROFUNDIDAD      |
| 52  | 238C2207P001 | BUJE PUERTA                    |
| 58  | 225D4147P006 | BASE JALADERA CROMADA ENF      |
| 61  | 225D4149P008 | INSERTO PLATA 72 FF PR         |
| 67  | 200D5142G017 | FABRICA D HIELO ENS.PR         |
| 68  | 225D3700P002 | TANQU.MANT.16-18"3LT.N         |
| 69  | 225D3701P001 | TAPA TANQUE 16-18              |
| 70  | 225D3854G002 | ENSAMBLE TANQUE DE AGU         |
| 71  | 238C3822P002 | TAPON TANQUE MABE VERD         |
| 77  | 238C3823P001 | DUCTO FORRO 12 a 18            |
| 86  | 238C3821P001 | FUNDA TUBO TANQUE              |
| 91  | 225D4033P006 | TAPA MCO PLATA 84 "PRA         |
| 92  | 225D4032P005 | MARCO DESPACHADOR PLAT         |
| 93  | 355B3072P002 | RESORTE ACTUADOR               |
| 94  | 238C3814G001 | ENSAMBLE VALVULA               |
| 95  | 225D3688P004 | ACTUADOR PLATA 84 PREM         |
| 100 | 238C3920P005 | RECOGEGOTAS PLATA 72 P         |
| 155 | 9001882      | DUCTO ESPUMA ENSAMBLE          |
| 167 | 314B8640P010 | TORNILLO NIVELADOR GRIS        |
| 174 | 200D2305P002 | TAPA COMPRESOR 15/16 C         |
| 176 | 200D6992G016 | ENS.PARR.FZ.CRISTAL 16         |
| 178 | 200D9491P002 | SOPORTE CAJON 17-19            |
| 179 | 200D9889G017 | ENS.PAR.FF.CRIS.S/SOP.         |
| 181 | 314B9397P001 | TAPON TORNILLO MANGUETE BCO    |

|     |               |                                |
|-----|---------------|--------------------------------|
| 194 | 200D2889P001  | CAJON CARNES                   |
| 203 | 200D2375G005  | CAJON LEGUMBRES ENS            |
| 206 | 200D6990G013  | TAPA VIDRIO CAJON LEGUMBRES    |
| 215 | 225D2477G004  | CUB EVAP S/MOT.PRISM 16',18' W |
| 222 | 314B8274P001  | INTERRUPTOR FOCO               |
| 224 | 355B2155P009  | PERILLA REGULAD.VERDE7         |
| 230 | 238C2824P007  | CONTROL DE HUMEDAD MIN         |
| 231 | 238C2824P008  | CONTROL DE HUMEDAD MAX         |
| 236 | 200D3939G003  | BISAGRA SUPERIOR DERECHA       |
| 237 | 200D5080P013  | TORRE W TWIST AIR XI-X         |
| 238 | 200D5391G001T | DUCTO AIRE TORRE W ENS         |
| 239 | 355B1718G012  | BISAGRA INTERM.ENS.            |
| 240 | 221C5126P001  | TAPON BCO                      |
| 242 | 238C1981P001  | RONDANA BISAGRA                |
| 246 | 238C3981P001  | ESPACIADOR PLASTICO            |
| 247 | 238C3963P001  | SOPORTE NIVELADOR              |
| 248 | 203C2032P010  | RONDANA BISAGRA INTERMEDIA     |
| 257 | 355B1485P001  | CLIP ADHESIVO EVAP             |
| 260 | 197D3131G006  | ASPA VENTILADOR Y ANILLO ENS.  |
| 266 | 238C1189P002  | SOPORTE MOTOR VENTILADOR       |
| 269 | 221C5143P001  | EMPAQUE MOTOR VENTILADOR       |
| 272 | 200D2940P011  | MOT VENT EVAP ENCAP SEDNA PRIS |
| 293 | 355B2381P001  | AISLANTE ELECTRICO SUP         |
| 357 | 200D3332P001  | PISO CONGELADOR                |
| 358 | 238C2668P001  | DUCTO DE RETORNO POL.15-18 FID |
| 363 | 200D3599G009  | EVAPORADOR ENSAMBLE COMPL.     |
| 366 | 238C1961G001  | ACUMULADOR ENS.POLAR12-18 DOE  |
| 369 | 238C1015P005  | TERMOSTATO DESHIELO PERSEUS    |
| 372 | 203C5692P003  | ALAMBRE CALEFACTOR             |
| 372 | 203C5692P003  | ALAMBRE CALEFACTOR             |
| 372 | 203C5692P003  | ALAMBRE CALEFACTOR             |
| 372 | 203C5692P003  | ALAMBRE CALEFACTOR             |
| 378 | 238C2216G020  | RESISTENCIA ENS.SEDNA          |
| 381 | 200D2302P001  | CHAROLA DE DESHIELO            |
| 387 | 238C3223P005  | PERILLA CTRL.TEMP.VERD         |
| 393 | 200D9607G004  | TARJETA CONTROL LINEA          |
| 396 | 238C1799P001  | DIFUSOR CAJA CONTROL           |
| 399 | 200D9890P004  | CAJA CONTROL STD.PREMI         |

|     |              |                                |
|-----|--------------|--------------------------------|
| 405 | 186D1259G001 | SOCKET Y TERM ENS              |
| 408 | 314B9124P001 | FOCO (25 W)                    |
| 411 | 238C2629P001 | FOIL ALUMINIO P/CAJA CTRL STD  |
| 420 | 200D6711G001 | ARNES TOMACORRIENTE ST         |
| 426 | 238C2142P001 | CLIP MOTOR CONDENSADOR         |
| 427 | 200D2940P006 | MOTOR VENTILADOR CONDENS.      |
| 429 | 20505212499  | COMPRESOR CBE121L2G DOE/FIDE E |
| 429 | 20505212499  | COMPRESOR CBE121L2G DOE/FIDE E |
| 432 | 200D5578P008 | ACC.ELEC. 5SP16B317RH 10025    |
| 441 | 355B2089P004 | SUJETADOR CLIP 5SP             |
| 444 | 221C5100P006 | FILTRO DESHIDRATADOR E         |
| 450 | 355B1473P001 | VALVULA TUBO DREN              |
| 453 | 238C1628G005 | TUBO AUXILIAR ENS              |
| 465 | 238C2606P003 | CAPACITOR DE 12MFD             |
| 468 | 203C5262P001 | AMORTIGUADOR                   |
| 474 | 871516P006   | SEGURO DE SUJECION COMPRESOR   |
| 477 | 200D2405G002 | SOPORTE COMPRESOR ENS.         |
| 489 | 200D3706P002 | CONDENSADOR MULTILAYER         |
| 492 | 162D7022P001 | PROTECTOR PANTALLA             |
| 510 | 355B1403G002 | VENTILADOR CONDENSADOR ENS.    |
| 551 | 314B8355P001 | TORNILLO 8-19 HI/LO            |
| 554 | 355B1714P002 | TORNILLO PISO CONGELADOR       |

**\*NOTA: SI EL CODIGO DEL ARTICULO QUE NECESITA NO APARECE EN NUESTRA PAGINA WEB, ES PROBABLE QUE SEA SOBRE PEDIDO O ESTE OBSOLETO.**

**FAVOR DE COMUNICARSE A NUESTRAS OFICINAS PARA MAYOR INFORMACION**

**TELEFONOS: 83377949, 83377999 Y 83373889.**