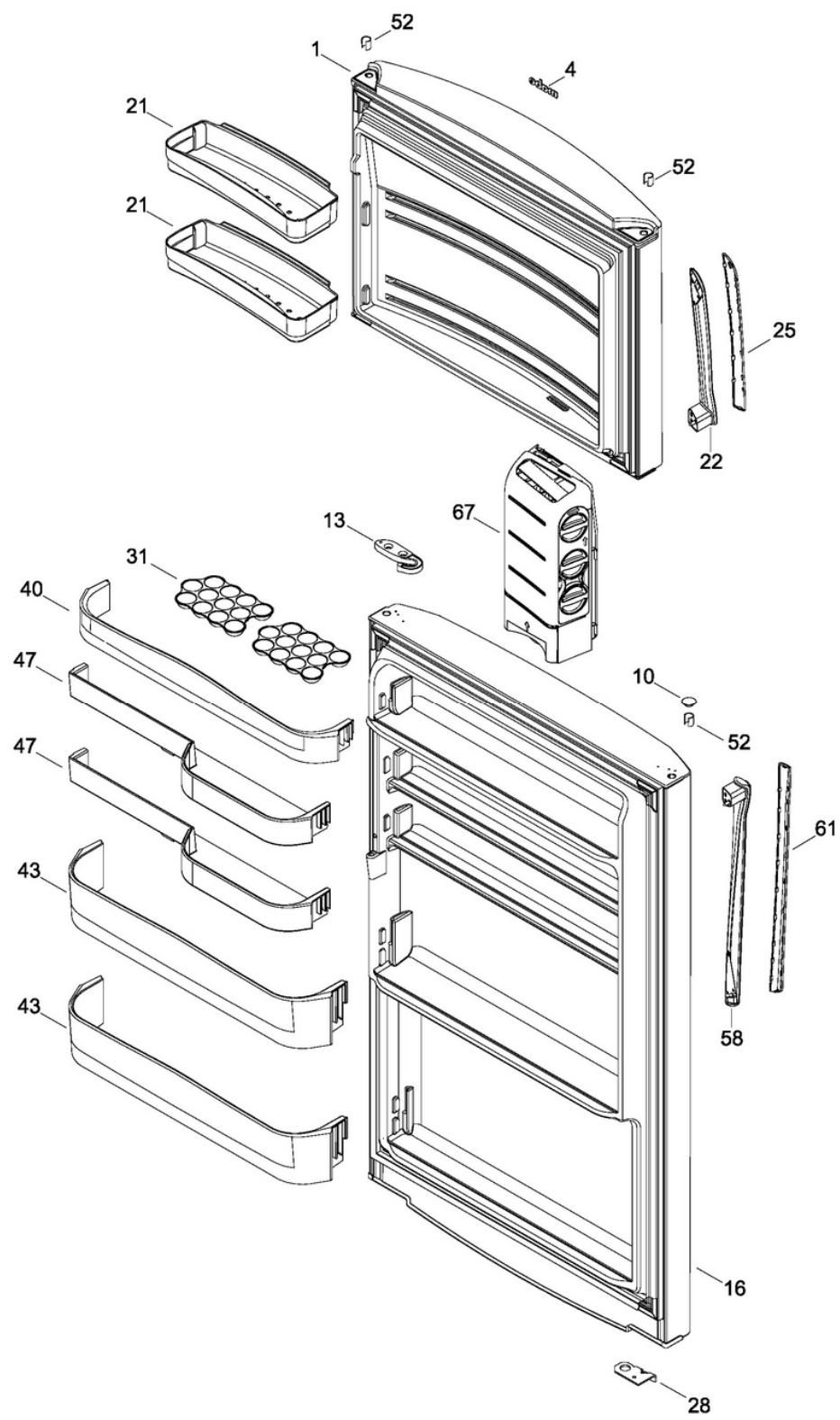
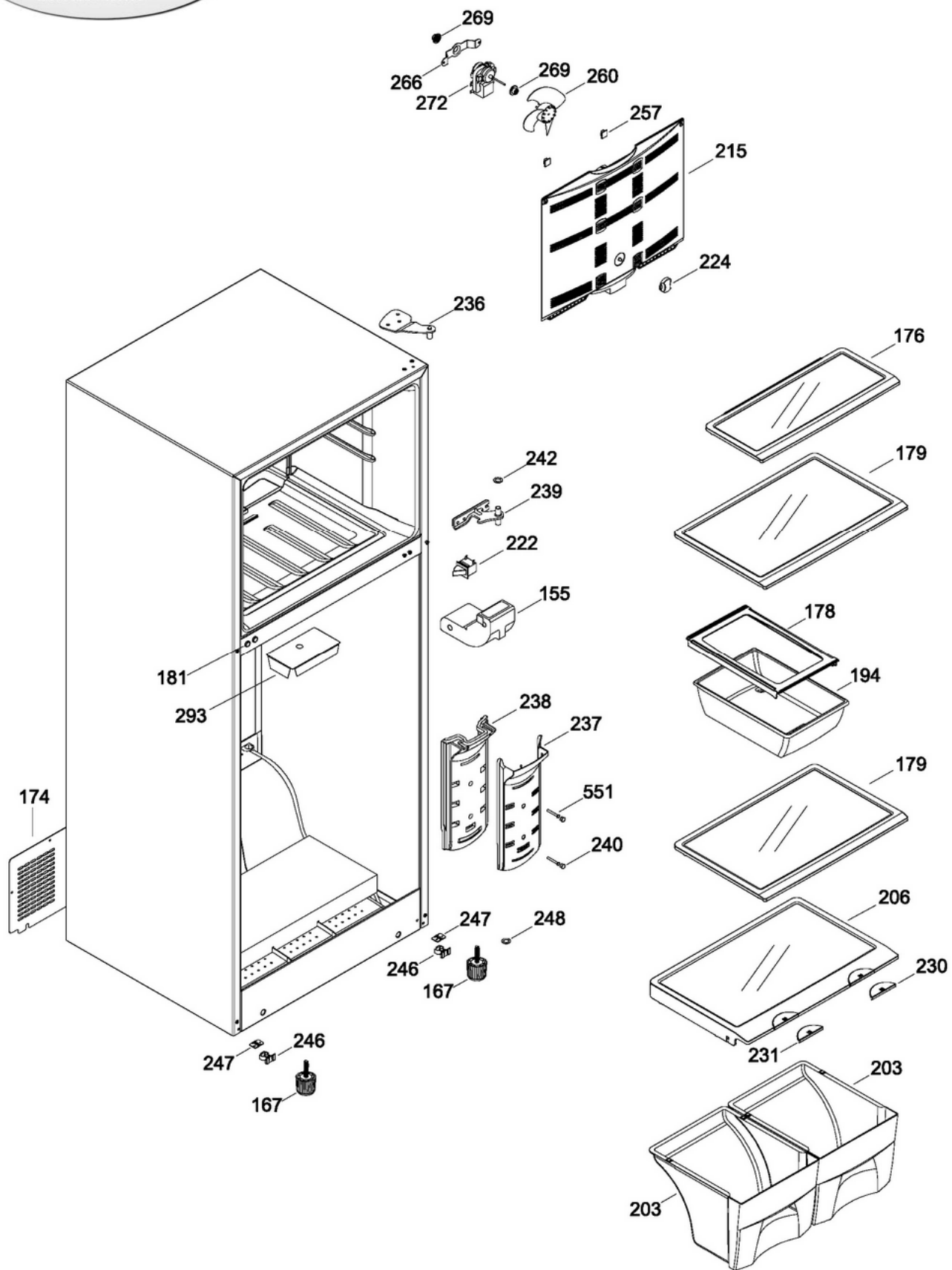


# REFRIGERADOR MGT81XITAMS0

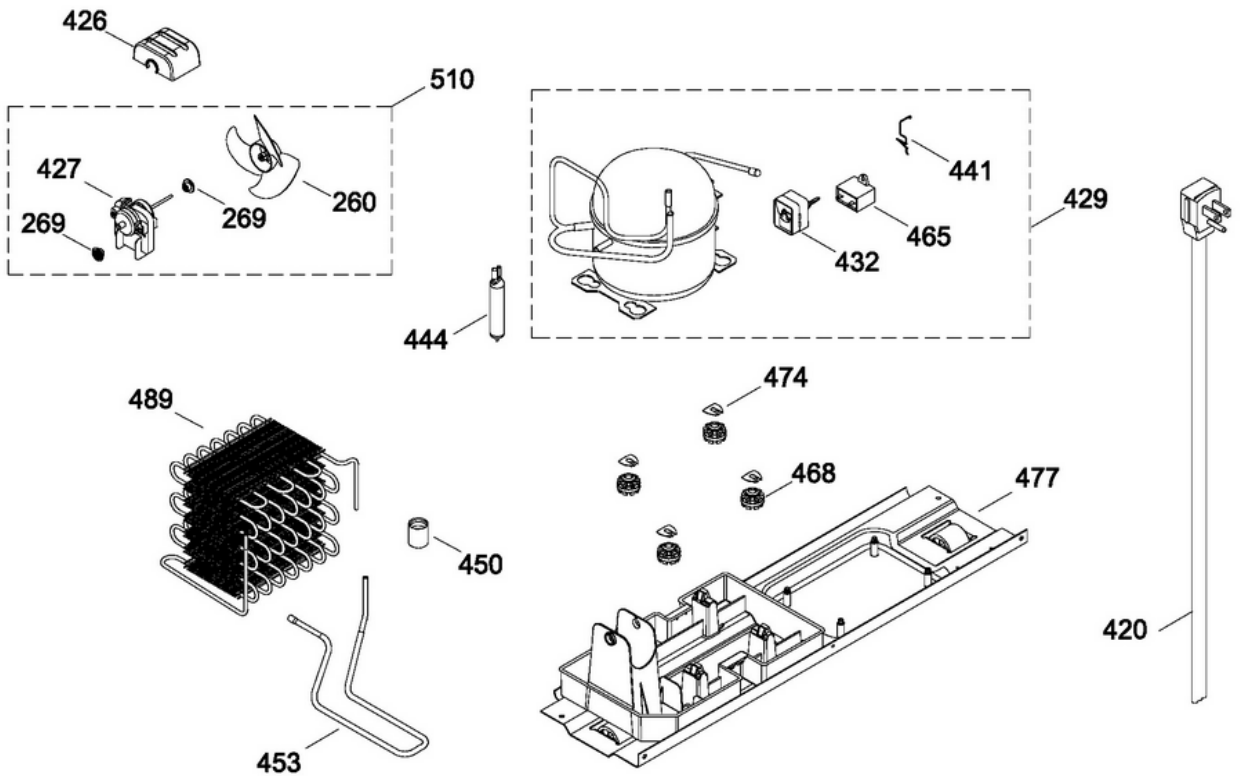
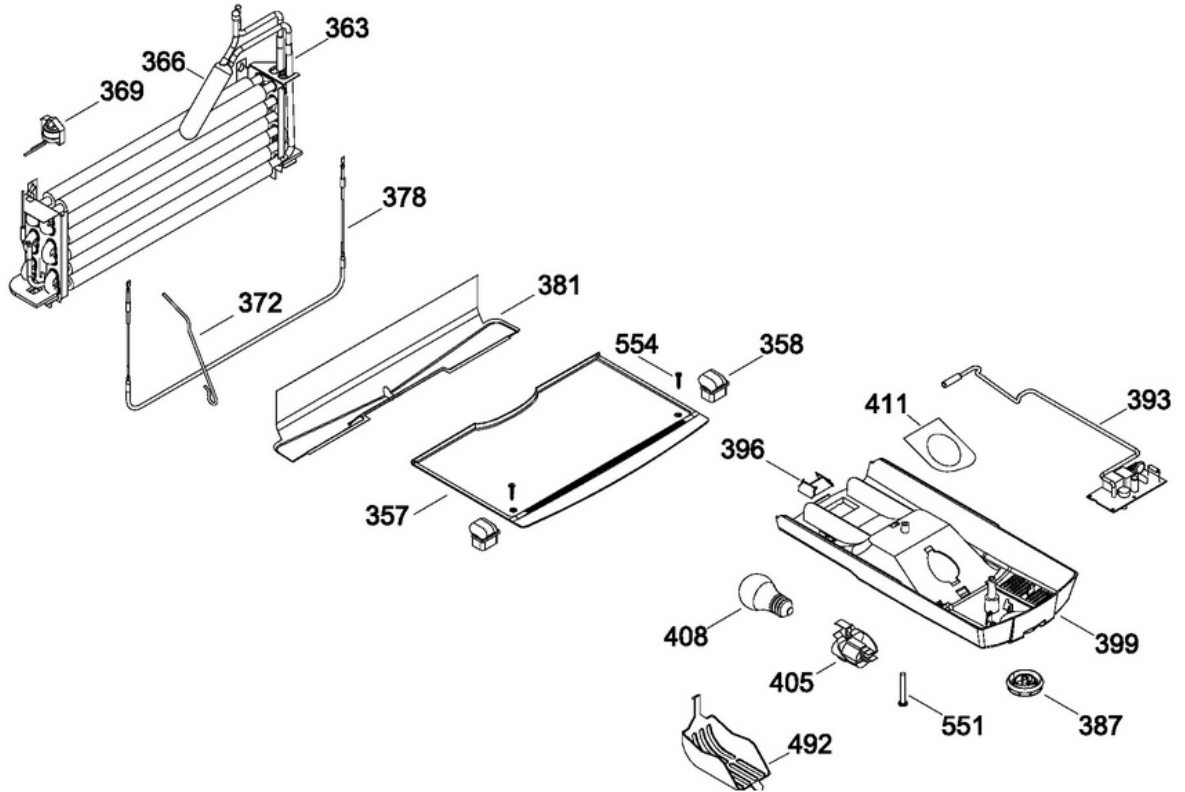


# REFRIGERADOR MGT81XITAMSO



206.- TAPA CAJON LEGUMBRES ENS.

# REFRIGERADOR MGT81XITAMSO





## REFRIGERADOR MGT81XITAMSO

Guía	Componente	Descripción
1	225D4263G004	PUERTA CONG.
4	238C3975G001	LOGO MABE ASM
10	238C1221P007	TAPON BUJE
13	355B1499P006	TOPE PUERTA INTERMEDIO
16	225D4265G012	PUERTA REFR.
21	200D6479P001	ANAQUEL DESLIZABLE
22	225D4146P005	BASE JALADERA
22	225D4146P008	BASE JALADERA
25	225D4148P007	INSERTO JALADERA CONG.
25	225D4148P011	INSERTO JALADERA CONG.
25	225D4149P011	INSERTO JALADERA CONG.
28	238C2106P001	TOPE PUERTA REFRIGERADOR
31	200D2724P004	RACK HUEVOS
40	200D2316P001	ANAQUEL
43	200D2317P001	ANAQUEL
47	200D2315P001	ANAQUEL
52	238C2207P001	BUJE BISA 1GRA
58	225D4147P005	BASE JALADERA
58	225D4147P008	BASE JALADERA
61	225D4149P007	INSERTO JALADERA REF.
67	200D5142G017	FABRICA HIELOS
155	9001882	DUCTO ESPUMA ENS.
167	314B8640P010	TORNILLO NIVELADOR
174	200D2305P002	TAPA COMPRESOR
176	200D6992G016	ENS. PARRILLA CONG.
178	200D9491P002	SOPORTE CAJON
179	200D9889G017	PARRILLA CRISTAL
181	314B9397P001	TAPON TORNILLO BISAGRA
194	200D2889P001	CAJON CARNES
203	200D2375G005	ENS. CAJON
206	200D6990G013	TAPA CAJON LEG ENS.
215	225D2477G004	CUBIERTA EVAPORADOR
222	314B8274P001	INTERRUPTOR FOCO
224	355B2155P009	PERILLA DAMPER
230	238C2824P007	CONTROL HUMEDAD



## REFRIGERADOR MGT81XITAMSO

Guía	Componente	Descripción
231	238C2824P008	CONTROL HUMEDAD
236	200D3939G003	ENS. BISAGRA
237	200D5080P013	TORRE AIRE
238	200D5391G001T	DUCTO AIRE TORRE
239	355B1718G012	BISAGRA INTERMEDIA ENS.
239	355B3920G001	BISAGRA INTERMEDIA ENS.
240	221C5126P001	TAPON BUJE BCO. CHICO
242	238C1981P001	ESPACIADOR BISAGRA
242	238C1981P002	ESPACIADOR BISAGRA
246	238C3981P001	ESPACIADOR PLASTICO
247	238C3963P001	SOPORTE NIVELADOR
248	203C2032P010	RONDANA BISAGRA
257	355B1485P001	CLIP ADHESIVO EVAP
260	197D3131G006	ASPA DE VENTILADOR ENS
263	200D2940P006	MOTOR VENTILADOR
266	238C1189P002	SOPORTE MOTOR EVAPORADOR
269	221C5143P001	EMPAQUE VENTILADOR
272	200D2940P011	MOTOR VENTILADOR SUNG SHIN
293	355B2381P001	AISLANTE ELECTRICO SUP
357	200D3332P001	PISO CONGELADOR
358	238C2668P001	DUCTO RETORNO
363	200D3599G009	ENS. COMPRESOR EVAPORADOR
366	238C1961G001	ACUMULADOR ENS.POLAR12-18 DOE
369	238C1015P005	TERMOSTATO DESHIELO PERSEUS
372	203C5692P003	CONDUCTOR DE CALOR P/ DESHIELO
378	238C2216G020	ENS. RESISTENCIA
381	200D2302P001	CHAROLA DESHIELO 15"16"18"
387	238C3223P005	PERILLA CONTROL TEMP.
393	200D9607G004	TARJETA CONTROL
393	225D7291G008	TARJETA CONTROL
396	238C1799P001	DIFUSOR CAJA ESTÁNDAR
399	200D9890P004	CAJA CONTROL
405	186D1259G001	SOCKET ENS.
408	314B9124P001	LAMPARA
411	238C2629P001	FOIL DE ALUMINIO



## REFRIGERADOR MGT81XITAMSO

Guía	Componente	Descripción
420	200D6711G001	ARNES TOMACORRIENTE
426	238C2142P001	CLIP MOTOR COND.
426	238C2142P002	CLIP MOTOR COND.
429	20505212499	COMPRESOR
432	200D5578P008	PROTECTOR RELAY 5SP16B317RH
432	200D5578P005	PROTECTOR RELAY 5SP16B317RH
441	355B2089P004	SUJETADOR CLIP 5SP
441	355B2089P010	SUJETADOR CLIP 5SP
444	221C5100P006	FILTRO DESHIDRATADOR
450	355B1473P001	VALVULA DREN
453	238C1628G005	ENS. TUBO AUXILIAR
465	238C2606P003	CAPACITOR DE 12MFD
468	203C5262P001	ARANDELA COMPRESOR
474	871516P006	CLIP COMPRESOR
477	200D2405G002	ENS. SOPORTE COMPRESOR
489	200D3706P002	CONDENS.ADOR MULTILAYER
489	200D3706P003	CONDENS.ADOR MULTILAYER
492	162D7022P001	PROTECTOR FOCO
510	355B1403G002	MOTOR ASPA ENS.
551	314B8355P001	TORNILLO 8-19
554	355B1714P002	TORNILLO 8-18 PISO CONGELADOR