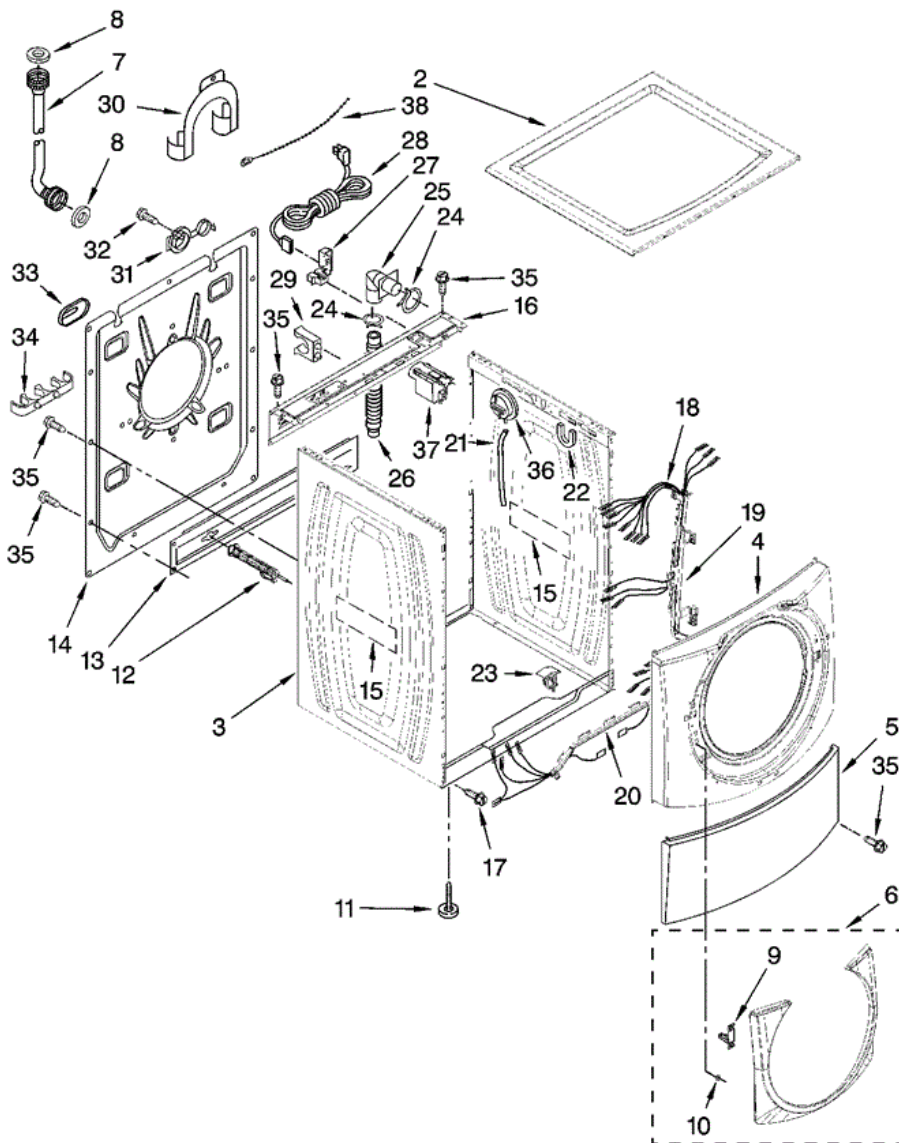


Distribuidor Autorizado

SurteRápido.com

Venta de Refacciones
Electrodomesticas

MHWE300VF00 GABINETE



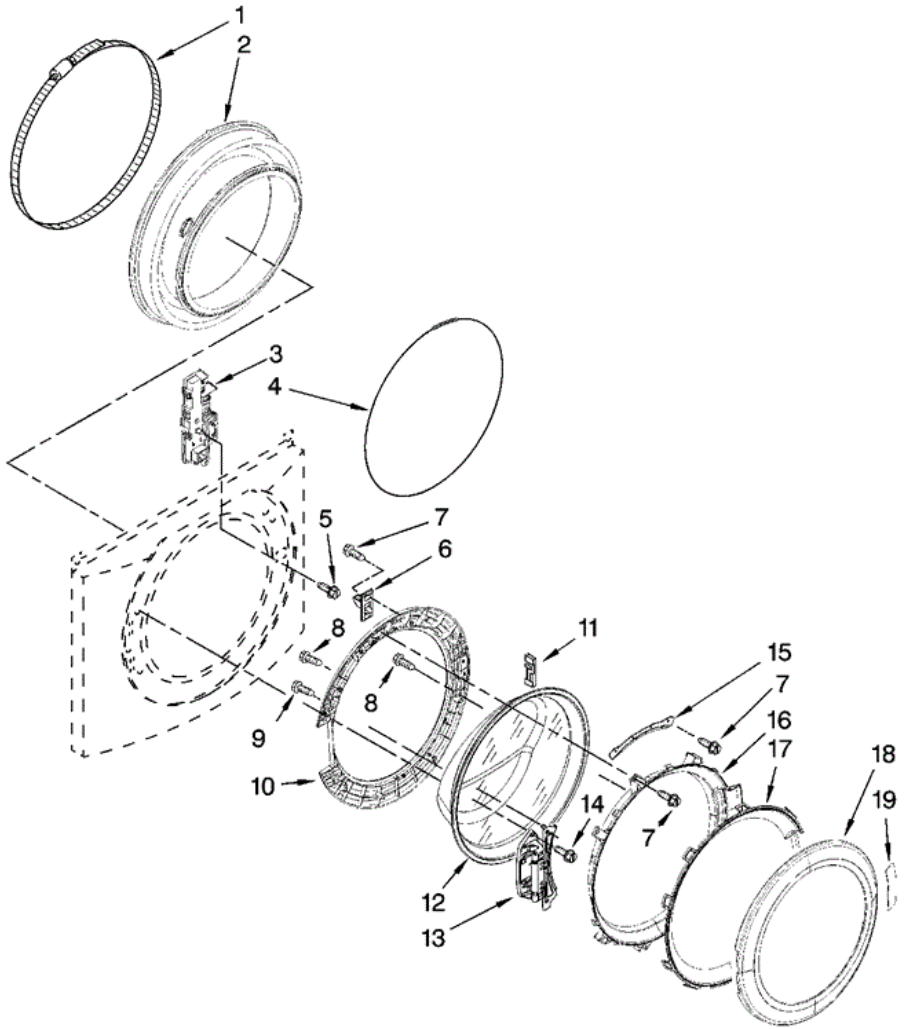


MHWE300VF00 GABINETE

2	W10003900	TOP (WHITE)
2	W10176926	TOP (RED)
3	W10171708	CABINET (WHITE)
3	W10176849	CABINET (RED)
4	W10157475	PANEL, FRONT (WHITE)
4	W10176905	PANEL, FRONT (RED)
5	W10003640	TOE PANEL (WHITE)
5	W10176919	TOE PANEL (RED)
6	W10182998	RING, TRIM (WHITE)
6	W10190645	RING, TRIM (RED)
7	8571377	HOSE, WATER INLET (BLUE COUPLER)
7	8571378	HOSE, WATER INLET (RED COUPLER)
8	16123	WASHER, WATER INLET HOSE (4)
9	W10112671	CLIP, TRIM-METAL
10	W10029650	CLIP, TRIM
11	W10064810	FOOT, LEVELING
12	W10003340	BOLT, SHIPPING (UPPER)
12	W10003350	BOLT, SHIPPING (LOWER)
13	W10003040	BRACE, TRANSPORT
14	W10003030	PANEL, REAR
15	3976348	ABSORBER, SOUND
16	W10110677	BRACE, REAR
17	8540479	SCREW, GROUNDING
18	W10192665	HARNESS, WIRING (LOWER MAIN)
19	W10216383	CHANNEL, HARNESS (SIDE)
20	W10168549	CHANNEL, HARNESS (BOTTOM)
21	W10004260	HOSE, PRESSURE SWITCH
22	W10008890	BRACKET, SPRING
23	8540210	MICROSWITCH (2)
24	356138	CLAMP, HOSE
25	W10003260	CONNECTOR, DRAIN HOSE
26	W10003280	HOSE, DRAIN (OUTER)
27	W10110676	STRAIN RELIEF

28	W10110674	CORD, POWER
29	W10022290	CLIP, OUTER HOSE HOLDER
30	8540021	U-BEND, DRAIN HOSE
31	8540728	SLEEVE, CORD SUPPORT (2)
32	8540727	SCREW, 3 X 8 MM
33	8540268	COVER, TRANSPORT
34	W10003270	CLIP, OUTER HOSE HOLDER
35	W10015090	SCREW, 8-18 X 5/8
36	W10163982	SWITCH, PRESSURE
37	8540230	FILTER, INTERFERENCE
38	3347868	CABLE TIE

MHWE300VF00 PUERTA

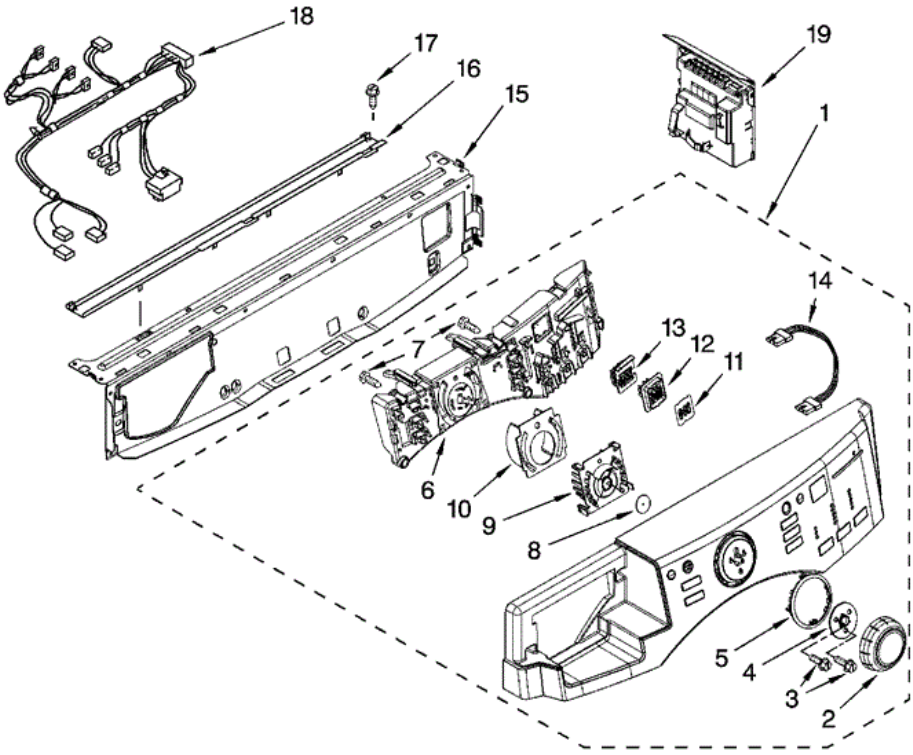




MHWE300VF00 PUERTA

1	8182210	CLAMP, BELLOW TO TUB
2	W10003800	BELLOW
3	8540772	LOCK, DOOR
4	W10003490	CLAMP, BELLOW TO FRONT PANEL
5	8540725	SCREW
6	W10003390	HOOK, DOOR
7	8540513	SCREW
8	8540282	SCREW
9	8540284	SCREW
10	W10003370	FRAME, DOOR BACK SUPPORT
11	W10003430	CLAMP, GLASS SUPPORT
12	W10135912	GLASS, DOOR
13	W10200695	HINGE, DOOR
14	W10015090	SCREW
15	W10003440	CLAMP, GLASS (2)
16	W10005220	FRAME, DOOR FRONT SUPPORT
17	W10153278	SCREEN, DOOR
18	W10193430	TRIM RING, OUTER DOOR (INCLUDES ITEM 19)
19	W10153281	PAD, DOOR HANDLE

MHWE300VF00 TABLERO

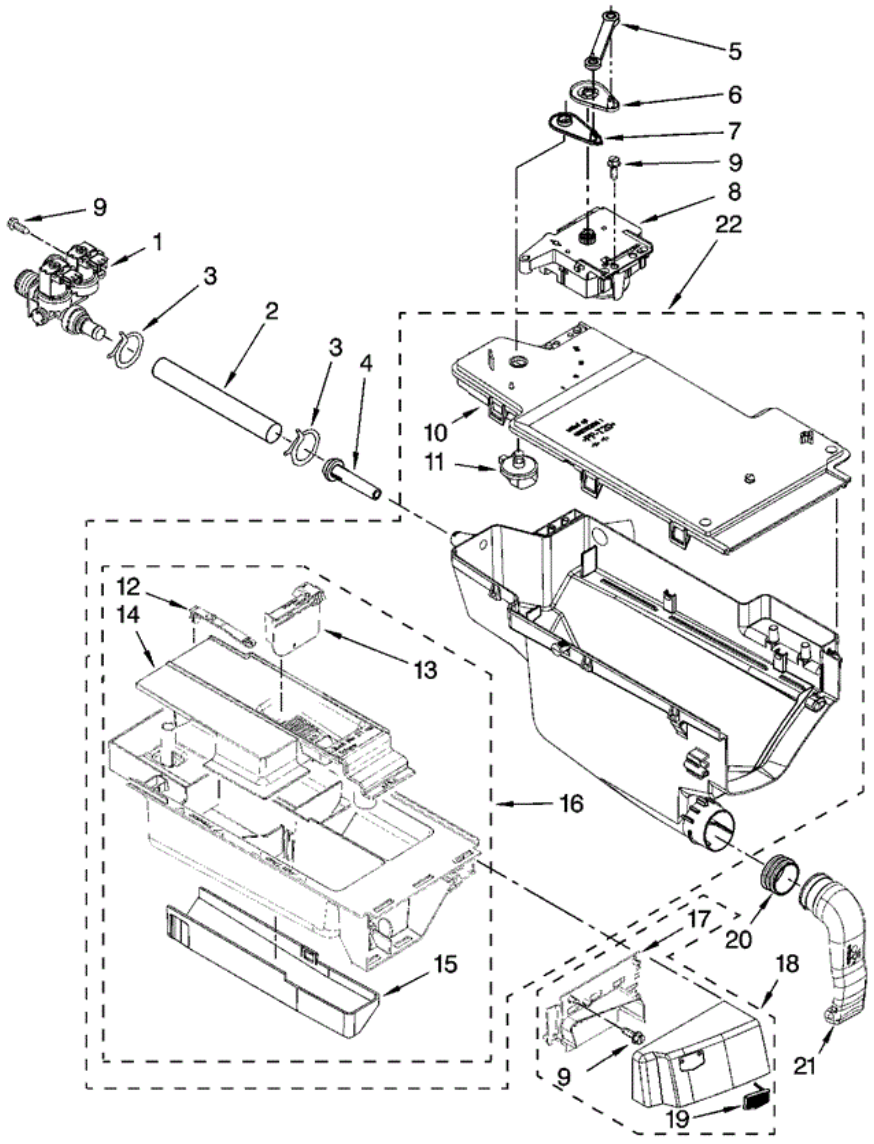




MHWE300VF00 TABLERO

1	W10176626	PANEL, CONTROL (WHITE)
1	W10176641	PANEL, CONTROL (RED)
2	W10164576	KNOB, CONTROL
3	8540513	SCREW
4	W10172298	BUSHING, KNOB
5	W10164567	LIGHT GUIDE, CYCLE
6	W10164540	USER INTERFACE,
7	8540282	SCREW
8	8572039	SEAL, USER INTERFACE
9	W10170293	LIGHT GUIDE - CYCLE, INTERNAL
10	W10170295	FRAME-LIGHT GUIDE
11	W10171504	FOIL-DISPLAY
12	W10164578	LIGHT GUIDE - 3 DIGIT DISPLAY
13	W10171502	FRAME-LIGHT (GUIDE DISPLAY)
14	W10067000	HARNESS, WIRING (USER INTERFACE)
15	W10059240	BRACE, FRONT TOP
16	W10003700	CHANNEL, WATER
17	W10015090	SCREW
18	W10159723	HARNESS, WIRING (UPPER MAIN)
19	W10157481	MICROCOMPUTER, MACHINE CONTROL

MHWE300VF00 DISPENSADOR

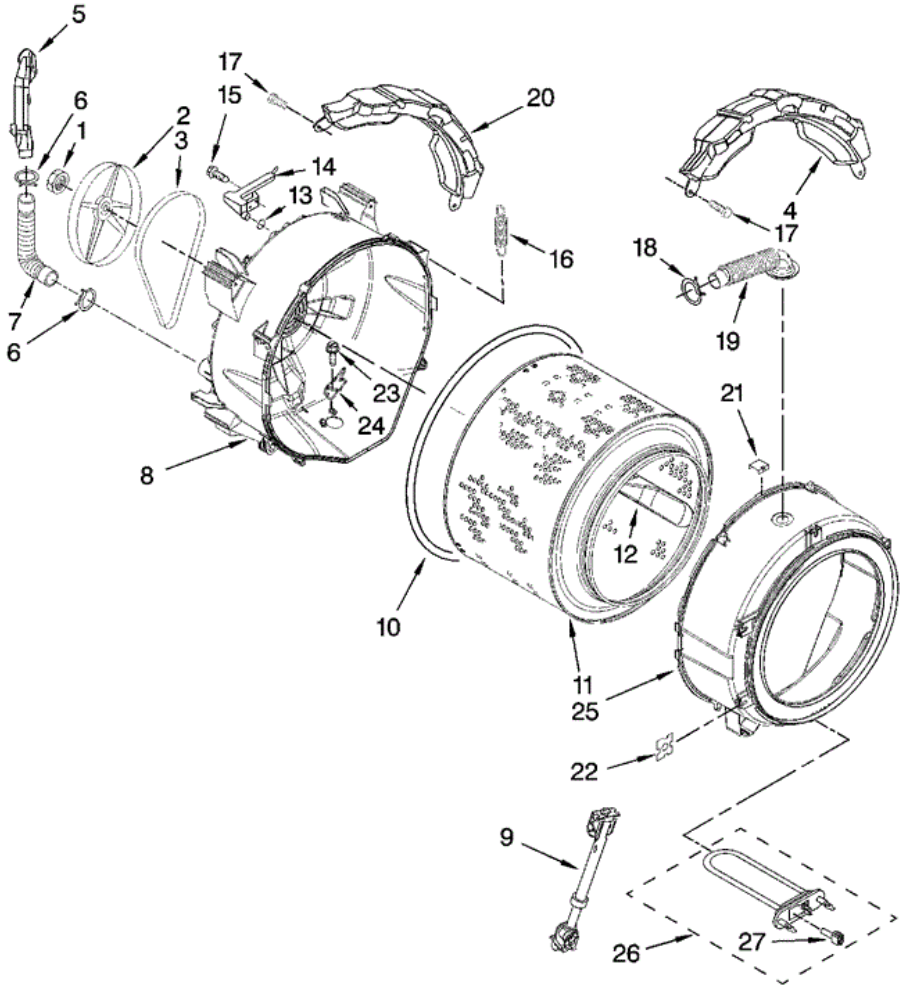




MHWE300VF00 DISPENSADOR

1	8540751	VALVE, INLET
2	8540065	HOSE - VALVE/ DISPENSER
3	370450	CLAMP
4	8540042	NOZZLE, INLET
5	W10003830	LEVER, CONNECTION
6	W10003190	CAM, ACTUATOR
7	W10003180	LEVER, WATER DISTRIBUTION
8	W10163975	ACTUATOR
9	8540282	SCREW
10	W10005080	PLATE, DISTRIBUTION
11	W10003110	NOZZLE, DISTRIBUTION
12	W10003170	HOOK, DRAWER
13	W10015200	SEPARATOR, WITH SELECTION SLIDER
14	W10003150	SIPHON, BLEACH/SOFTENER
15	W10003140	COVER, DETERGENT DRAWER
16	W10015190	DRAWER, DETERGENT (COMPLETE)
17	W10153277	BRACKET, HANDLE FIXATION (WHITE)
17	W10190550	BRACKET, HANDLE FIXATION (RED)
18	W10189238	HANDLE, DRAWER (WHITE)
18	W10189239	HANDLE, DRAWER (RED)
19	W10177245	MEDALLION
20	W10003360	SEAL
21	W10005300	TUBE, DISPENSER TO BELLOW
22	W10074160	DISPENSER, COMPLETE (INCLUDES ITEM 7)

MHWE300VF00 TINA

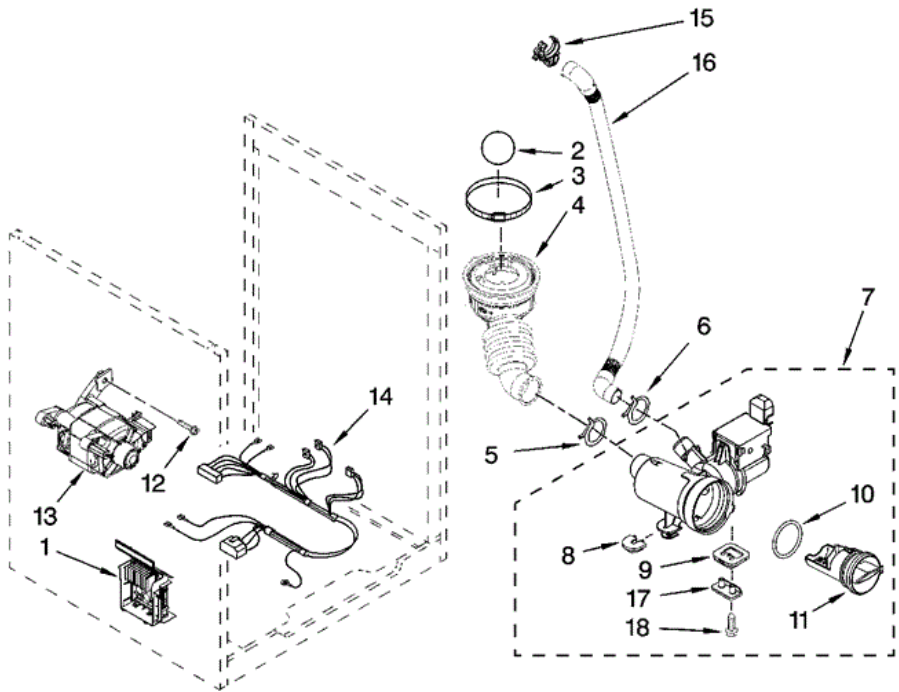




MHWE300VF00 TINA

1	8533999	NUT, PULLEY
2	W10003730	PULLEY
3	W10116215	BELT
4	W10008880	COUNTERWEIGHT FRONT (2)
5	W10003500	PIPE, VENTILATION
6	8540010	CLAMP
7	W10004330	HOSE, EXHAUST
8	W10004170	TUB, REAR (INCLUDES ITEMS 10, 22, 23 & 24)
9	W10015830	SHOCK ABSORBER (4)
10	W10036350	GASKET, TUB
11	W10040480	BASKET
12	W10002770	BAFFLE, TUB
13	W10004270	O-RING
14	W10003600	AIRTRAP
15	8540513	SCREW
16	W10127411	SPRING, SUSPENSION (SET OF 2)
17	W10094780	BOLT, COUNTERWEIGHT MTG.
18	3363365	CLAMP, HOSE
19	8540015	HOSE, EXHAUST
20	W10008870	COUNTERWEIGHT, REAR
21	8540092	CLAMP, TUB
22	8540072	NUT, PUSH-IN
23	8540880	SCREW
24	W10015240	CLAMP, HEATING ELEMENT
25	W10004180	TUB, FRONT (INCLUDES ITEMS 10 & 22)
26	W10155115	ELEMENT, HEATING
27	8540226	NTC

MHWE300VF00 MOTOR / BOMBA





MHWE300VF00 MOTOR / BOMBA

1	W10015480	MOTOR CONTROL UNIT
2	W10003330	BALL
3	8540008	CLAMP
4	W10003240	HOSE, TUB TO PUMP
5	370448	CLAMP
6	356138	CLAMP
7	W10117829	PUMP (COMPLETE)
8	W10034820	FOOT, RUBBER (SLIDER)
9	W10034830	FOOT, RUBBER (LOCK)
10	8540025	SEAL, FILTER CAP
11	8540996	CAP, FILTER
12	8540134	BOLT, MOTOR
13	W10140583	MOTOR
14	W10004420	HARNESS, MOTOR
15	W10003290	RETAINER, DRAIN HOSE
16	W10003250	DRAIN HOSE (INNER)
17	8540033	CAP, LOCK FOOT
18	8533964	SCREW, 10-16 X 1.25 (2)
NI		ACCESSORY PARTS
NI	285863	DRAIN EXTENSION
NI	38005	STACK KIT
NI	4396899	REAR GUARD
NI	72017	PAINT, TOUCH-UP (1/2OZ.) (WHITE)
NI	W10135699	AFFRESH ODOR REMOVER
NI	W10218247	PAINT, TOUCH-UP (1/2OZ.) (RED)