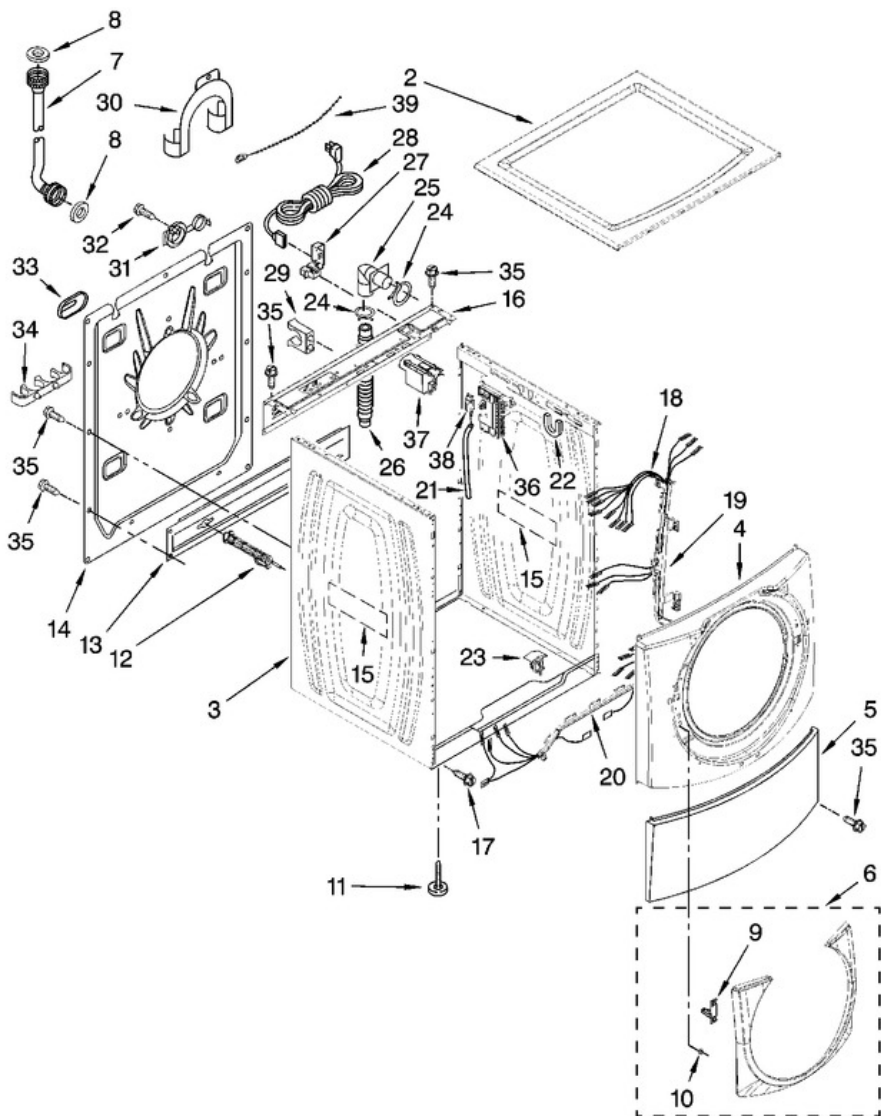


Distribuidor Autorizado

SurteRápido.com

Venta de Refacciones  
Electrodomesticas

## MHWE500VW00 GABINETE



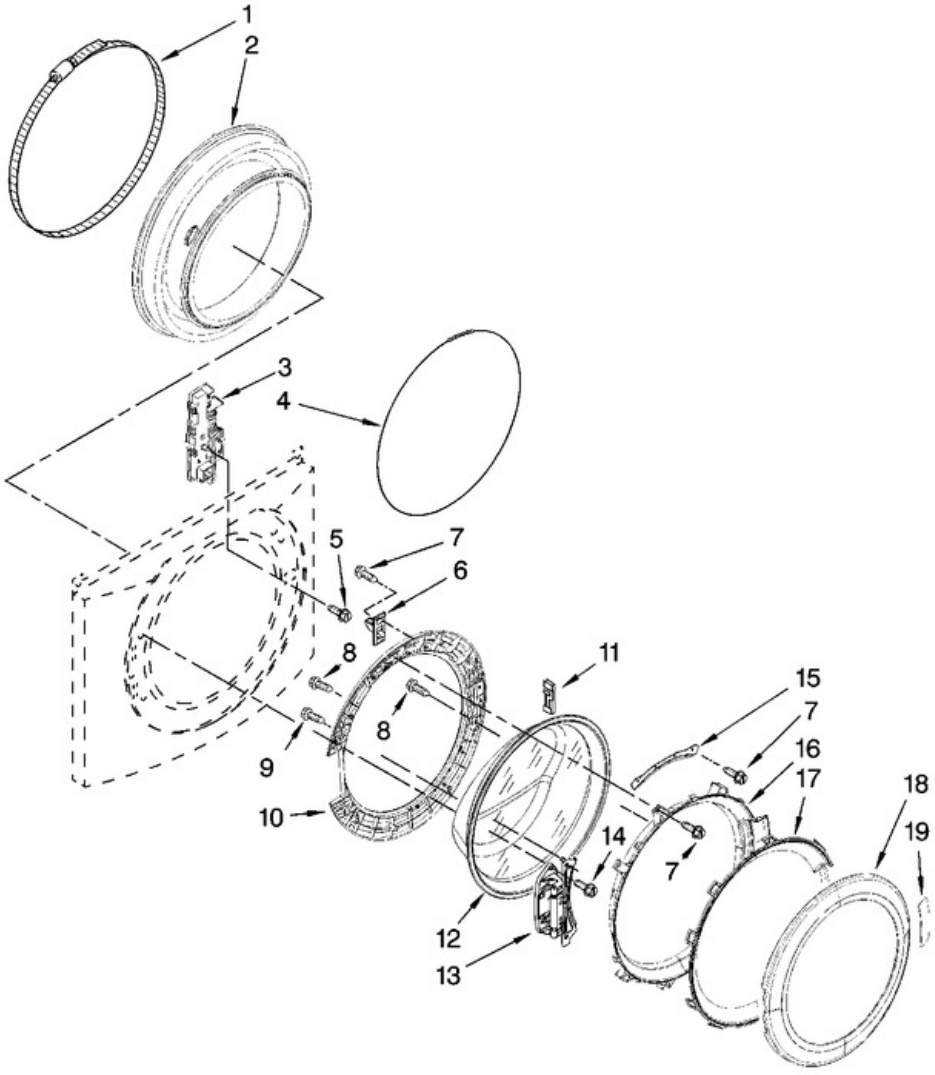


## MHWE500VW00 GABINETE

2	W10191381	TOP (GREEN) (S/P)
2	W10003900	TOP (WHITE) (S/P)
3	W10171708	CABINET (WHITE) (S/P)
3	W10176850	CABINET (GREEN) (S/P)
4	W10176906	PANEL, FRONT (GREEN) (S/P)
4	W10015590	PANEL, FRONT (WHITE) (S/P)
5	W10191380	TOE PANEL (GREEN) (S/P)
5	8181643	TOE PANEL (WHITE) (S/P)
6	W10182998	RING, TRIM (WHITE) (S/P)
6	W10190646	RING, TRIM (GREEN) (S/P)
7	89503	HOSE, WATER INLET (BLUE COUPLER)
7	89503	HOSE, WATER INLET (RED COUPLER)
8	16123	WASHER, WATER INLET HOSE (4) (S/P)
9	W10112671	CLIP, TRIM-METAL (S/P)
10	8183210	CLIP, TRIM (S/P)
11	W10064810	FOOT, LEVELING (S/P)
12	W10166584	BOLT, SHIPPING (UPPER) (S/P)
12	W10166584	BOLT, SHIPPING (LOWER) (S/P)
13	W10003040	BRACE, TRANSPORT (S/P)
14	W10003030	PANEL, REAR (S/P)
15	3976348	ABSORBER, SOUND (S/P)
16	W10110677	BRACE, REAR (S/P)
17	8540479	SCREW, GROUNDING (S/P)
18	W10167287	HARNESS, (S/P)
19	W10216383	CHANNEL, HARNESS (SIDE) (S/P)
20	W10168549	CHANNEL, HARNESS (BOTTOM) (S/P)
21	W10004260	HOSE, PRESSURE SWITCH (S/P)
22	8181763	BRACKET, SPRING (S/P)
23	W10085220	MICROSWITCH (2) (S/P)
24	356138	CLAMP, HOSE (S/P)
25	8181738	CONNECTOR, DRAIN HOSE (S/P)
26	8181737	HOSE, DRAIN (OUTER) (S/P)
27	8182635	STRAIN RELIEF (S/P)

28	8183009	CORD, POWER (S/P)
29	8182702	CLIP, OUTER HOSE HOLDER (S/P)
30	W10280024	U-BEND, DRAIN HOSE (S/P)
31	8182699	SLEEVE, CORD SUPPORT (2) (S/P)
32	8540727	SCREW, 3 X 8 MM (S/P)
33	8540268	COVER, TRANSPORT (S/P)
34	8182701	CLIP, OUTER HOSE HOLDER (S/P)
35	W10015090	SCREW, 8-18 X 5/8 (S/P)
36	W10156258	CONTROL BOARD, EXPANSION (S/P)
37	8540230	FILTER INTERFERENCE
38	W10156252	SWITCH, ANALOG PRESSURE SENSOR (S/P)
39	W10339879	CABLE TIE (S/P)

**MHWE500VW00 PUERTA**

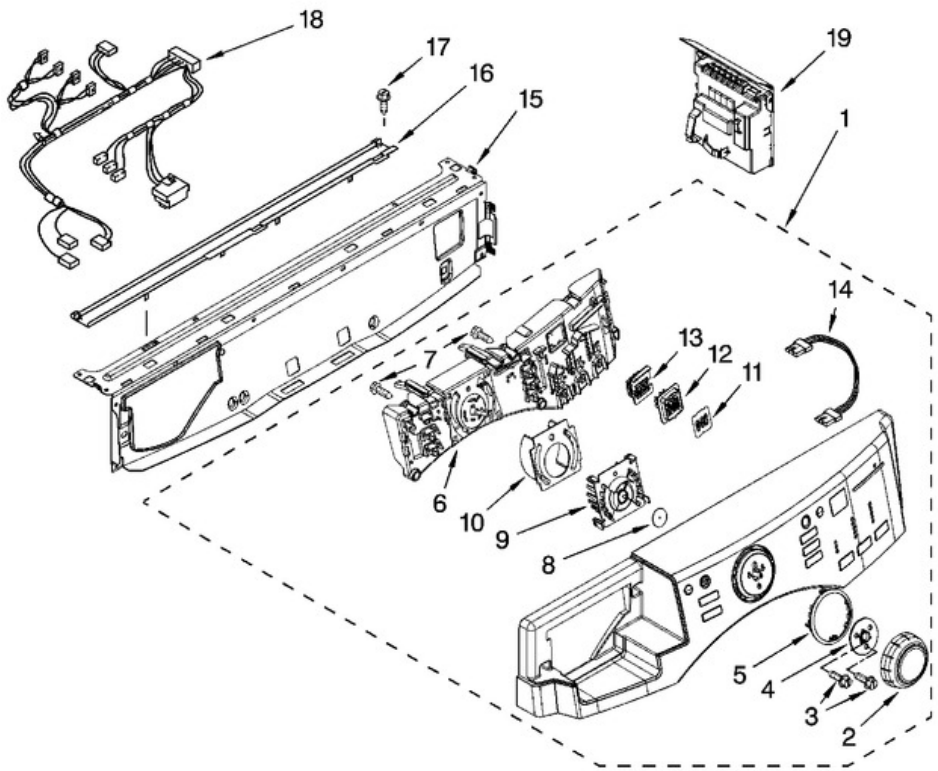




**MHWE500VW00 PUERTA**

1	8182210	CLAMP, BELLOW TO TUB (S/P)
2	8182119	BELLOW (S/P)
3	8540772	LOCK, DOOR
4	8182211	CLAMP, BELLOW TO FRONT PANEL (S/P)
5	8540725	SCREW (S/P)
6	W10217552	HOOK, DOOR (S/P)
7	8540513	SCREW (S/P)
8	8540282	SCREW (S/P)
9	8540284	SCREW (S/P)
10	8183195	FRAME, DOOR BACK SUPPORT (S/P)
11	W10128586	CLAMP, GLASS SUPPORT (S/P)
12	8181655	GLASS, DOOR (S/P)
13	8183202	HINGE, DOOR (S/P)
14	W10015090	SCREW (S/P)
15	W10295703	CLAMP, GLASS (2) (S/P)
16	8183256	FRAME, DOOR FRONT SUPPORT (S/P)
17	W10153278	SCREEN, DOOR (S/P)
18	W10193430	TRIM RING, OUTER DOOR (INCLUDES ITEM 19) (S/P)
19	W10121607	PAD, DOOR HANDLE (S/P)

**MHWE500VW00 TABLERO**





## MHWE500VW00 TABLERO

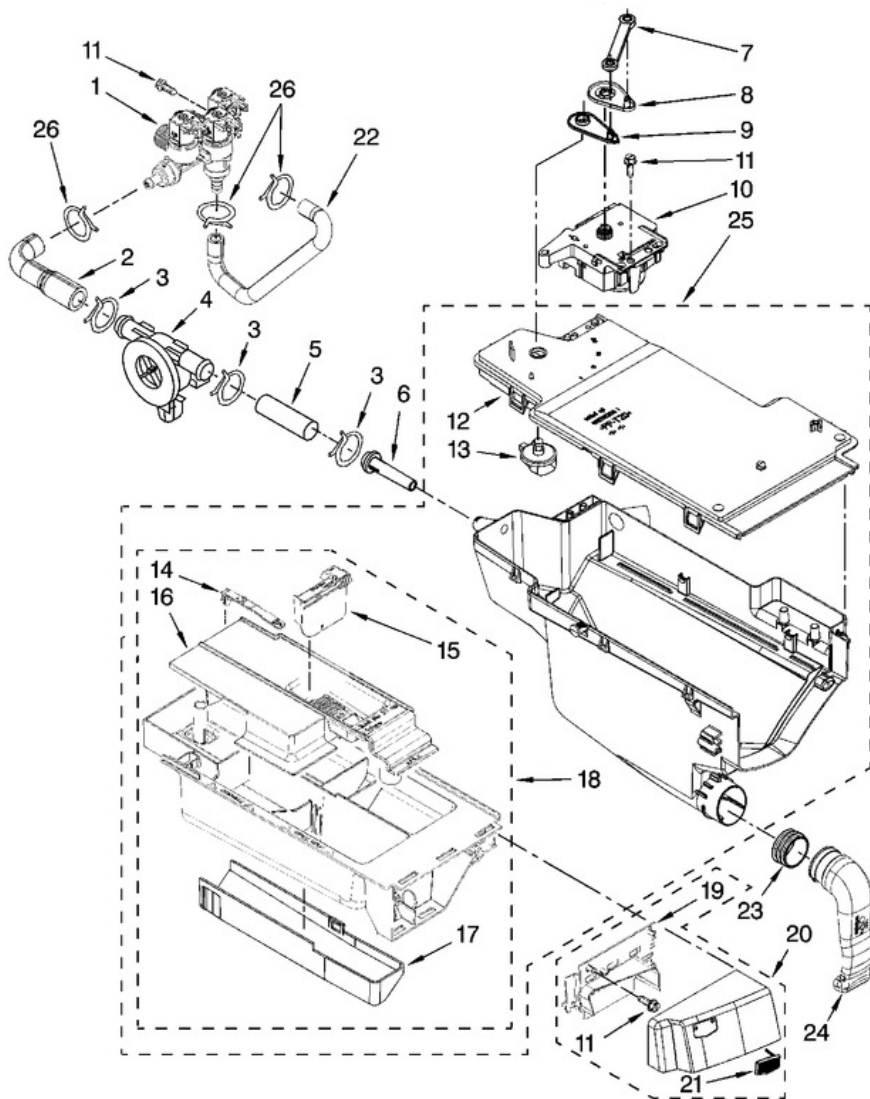
1	W10189234	PANEL, CONTROL (WHITE) (S/P)
1	W10176643	PANEL, CONTROL (GREEN) (S/P)
2	W10164576	KNOB, CONTROL (S/P)
3	8540513	SCREW (S/P)
4	W10172298	BUSHING, KNOB (S/P)
5	W10164567	LIGHT GUIDE, CYCLE (S/P)
6	W10164541	USER INTERFACE, (S/P)
7	8540282	SCREW (S/P)
8	8572039	SEAL, USER INTERFACE (S/P)
9	W10170293	LIGHT GUIDE - CYCLE, INTERNAL (S/P)
10	W10170295	FRAME, LIGHT GUIDE (S/P)
11	W10171504	FOIL - DISPLAY (S/P)
12	W10164578	LIGHT GUIDE - 3 DIGIT DISPLAY (S/P)
13	W10171502	FRAME - LIGHT GUIDE DISPLAY (S/P)
14	W10167292	HARNESS, WIRING (USER INTERFACE) (S/P)
15	W10059240	BRACE, FRONT TOP (S/P)
16	8183204	CHANNEL, WATER (S/P)
17	W10015090	SCREW (S/P)
18	W10167278	HARNESS, WIRING (UPPER MAIN) (S/P)
19	W10175764	MICROCOMPUTER, MACHINE (S/P)

Distribuidor Autorizado

SurteRápido.com

Venta de Refacciones  
Electrodomesticas

## MHWE500VW00 DEPOSITO DETERGENTE



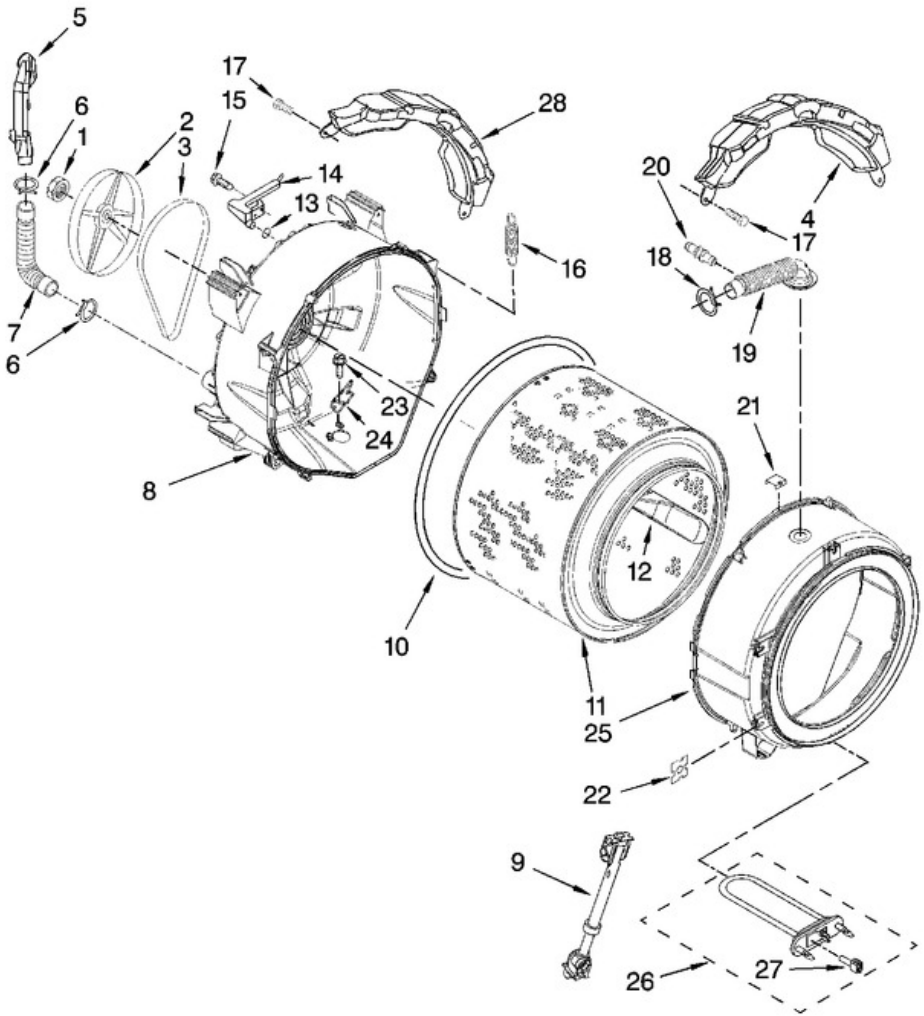




**MHWE500VW00 DEPOSITO  
DETERGENTE**

1	W10156253	VALVE, INLET (S/P)
2	8183182	HOSE, FLOWMETER (L-SHAPED) (S/P)
3	370450	CLAMP (S/P)
4	W10110225	FLOWMETER (S/P)
5	8183180	HOSE, INLET NOZZLE (S/P)
6	8183181	NOZZLE, INLET (S/P)
7	8183183	LEVER, CONNECTION (S/P)
8	8183184	CAM, ACTUATOR (S/P)
9	W10161052	LEVER, WATER DISTRIBUTION (S/P)
10	W10352973	ACTUATOR (S/P)
11	8540282	SCREW (S/P)
12	W10164400	PLATE, DISTRIBUTION (S/P)
13	8181712	NOZZLE, DISTRIBUTION (S/P)
14	8181721	HOOK, DRAWER (S/P)
15	W10121596	SEPARATOR, WITH SELECTION SLIDER (S/P)
16	W10121598	SIPHON, BLEACH/SOFTENER (S/P)
17	8183179	COVER, DETERGENT DRAWER (S/P)
18	8183173	DRAWER, DETERGENT (COMPLETE) (S/P)
19	W10190551	BRACKET, HANDLE FIXATION (GREEN) (S/P)
19	W10153277	BRACKET, HANDLE FIXATION (WHITE) (S/P)
20	W10193815	HANDLE, DRAWER (WHITE) (S/P)
20	W10189240	HANDLE, DRAWER (GREEN) (S/P)
21	W10177245	MEDALLION (S/P)
22	W10156131	HOSE, INLET VALVE TO STEAMER SIPHON (S/P)
23	8181747	SEAL (S/P)
24	8181718	TUBE, DISPENSER TO BELLOW (S/P)
25	W10157886	DISPENSER, COMPLETE (INCLUDES ITEM 9) (S/P)
26	489503	CLAMP, HOSE (S/P)

**MHWE500VW00 TINA**





## MHWE500VW00 TINA

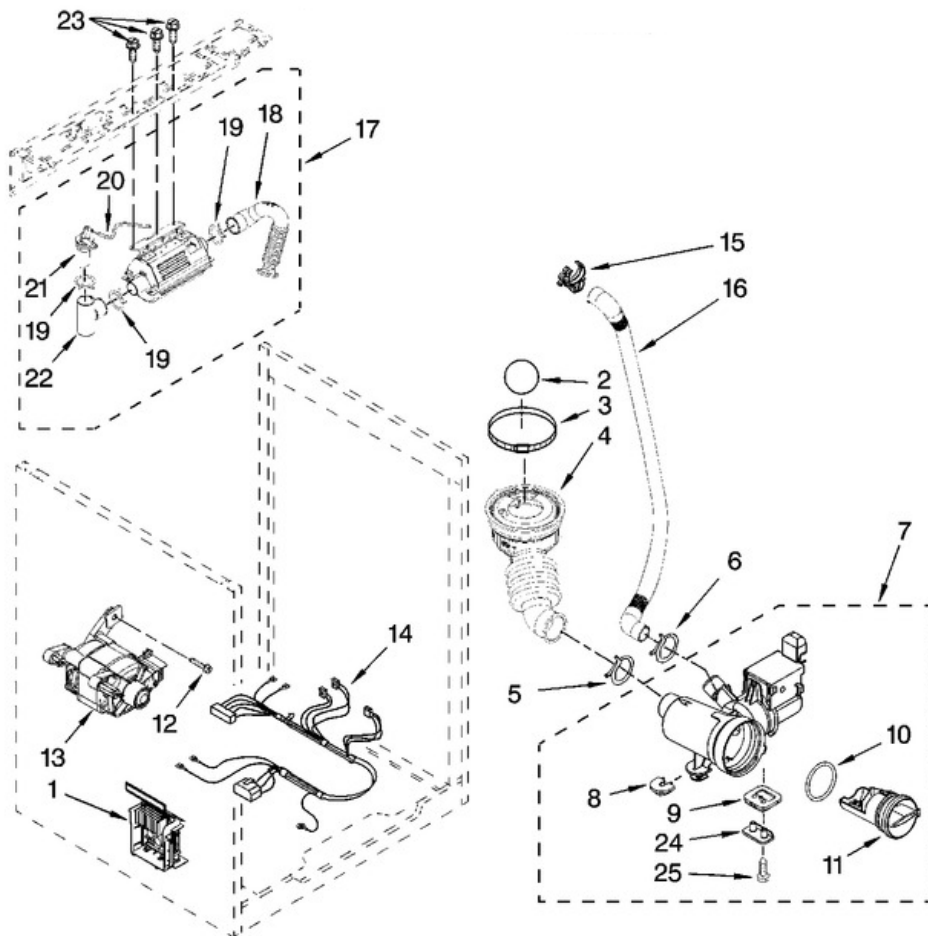
1	W10283361	NUT, PULLEY (S/P)
2	8182650	PULLEY (S/P)
3	W10116215	BELT (S/P)
4	W10008880	COUNTERWEIGHT FRONT (2) (S/P)
5	W10003500	PIPE, VENTILATION (S/P)
6	W10208156	CLAMP (S/P)
7	8181743	HOSE, EXHAUST (S/P)
8	W10213923	TUB, REAR (INCLUDES ITEMS 10, 22, 23 & 24) (S/P)
9	W10015830	SHOCK ABSORBER (4) (S/P)
10	W10036350	GASKET, TUB (S/P)
11	W10040480	BASKET (S/P)
12	W10200794	BAFFLE, TUB (S/P)
13	W10250553	O-RING (S/P)
14	8181731	AIRTRAP (S/P)
15	8540513	SCREW (S/P)
16	8182814	SPRING, SUSPENSION (SET OF 2) (S/P)
17	W10094780	BOLT, COUNTERWEIGHT MTG. (S/P)
18	3363365	CLAMP, HOSE (S/P)
19	W10156130	HOSE, EXHAUST (S/P)
20	W10156249	CONNECTOR, OVERFLOW HOSE (S/P)
21	8540092	CLAMP, TUB (S/P)
22	8182512	NUT, PUSH-IN (S/P)
23	8540880	SCREW (S/P)
24	W10250558	CLAMP, HEATING ELEMENT (S/P)
25	280238	TUB, FRONT (INCLUDES ITEMS 10 & 22) (S/P)
26	8182666	ELEMENT, HEATING (S/P)
27	8181705	NTC (S/P)
28	W10008870	COUNTERWEIGHT, REAR (S/P)

Distribuidor Autorizado

SurteRápido.com

Venta de Refacciones  
Electrodomesticas

# MHWE500VW00 MOTOR - BOMBA





## MHWE500VW00 MOTOR - BOMBA

1	W10015480	MOTOR CONTROL UNIT
2	W10122657	BALL (S/P)
3	8540008	CLAMP (S/P)
4	8181732	HOSE, TUB TO PUMP
5	616099	CLAMP (S/P)
6	356138	CLAMP (S/P)
7	W10130913	PUMP (COMPLETE)
8	W10034820	FOOT, RUBBER (SLIDER) (S/P)
9	W10034830	FOOT, RUBBER (LOCK) (S/P)
10	W10130913	SEAL, FILTER CAP
11	8540996	CAP, FILTER (S/P)
12	8540134	BOLT, MOTOR (S/P)
13	W10140583	MOTOR (S/P)
14	W10004420	HARNESS, MOTOR (S/P)
15	8182209	RETAINER, DRAIN HOSE (S/P)
16	W10003250	DRAIN HOSE (INNER)
17	W10157910	STEAMER, COMPLETE ASSEMBLY (S/P)
18	W10156132	HOSE, STEAMER/TUB (S/P)
19	285655	CLAMP, HOSE (3) (S/P)
20	W10156133	HOSE, OVERFLOW (S/P)
21	W10156250	CAP, SIPHON (S/P)
22	W10156251	TANK, SIPHON (S/P)
23	W10015090	SCREW, 8-18 X 5/8 (S/P)
24	8540033	CAP, LOCK FOOT (S/P)
25	8533964	SCREW, 10-16 X 1.25 (2) (S/P)