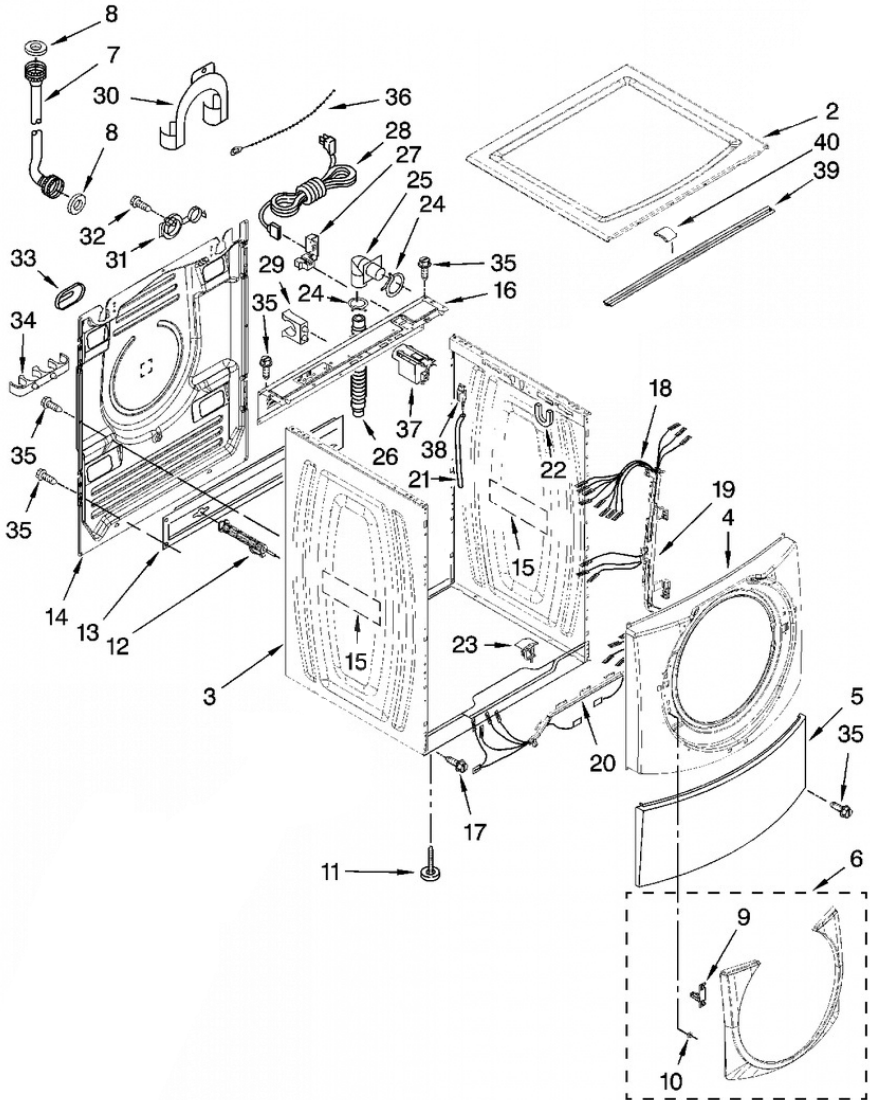


Distribuidor Autorizado

SurteRápido.com

Venta de Refacciones
Electrodomesticas

MHWE900VJ01 GABINETE



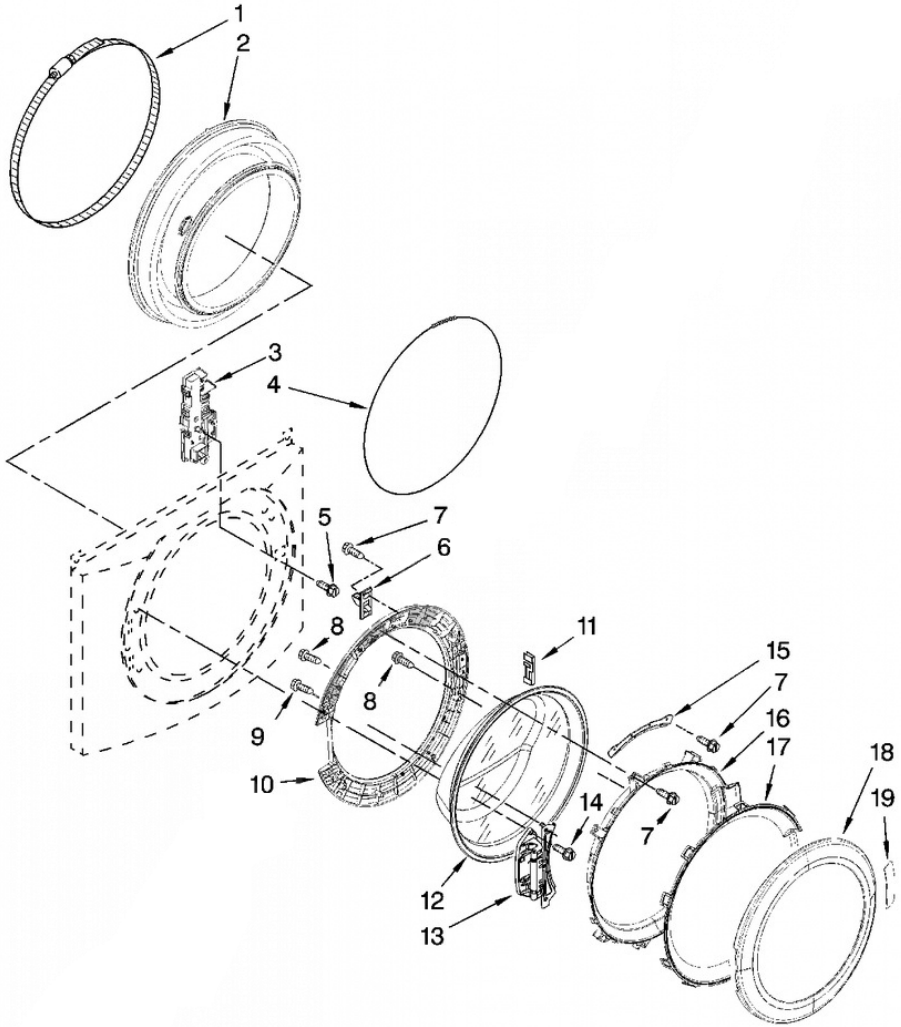


MHWE900VJ01 GABINETE

2	W10176932	TOP (OXIDE) (S/P)
2	W10003900	TOP (WHITE) (S/P)
3	W10171708	CABINET (WHITE) (S/P)
3	W10176856	CABINET (OXIDE) (S/P)
4	W10176908	PANEL, FRONT (OXIDE) (S/P)
4	W10015590	PANEL, FRONT (WHITE) (S/P)
5	8181643	TOE PANEL (WHITE) (S/P)
5	W10176925	TOE PANEL (OXIDE) (S/P)
6	W10183001	RING, TRIM (OXIDE) (S/P)
6	W10182998	RING, TRIM (WHITE) (S/P)
7	89503	HOSE, WATER INLET (HOT WATER)
7	89503	HOSE, WATER INLET (COLD WATER)
8	16123	WASHER, WATER INLET HOSE (4) (S/P)
9	W10112671	CLIP, TRIM-METAL (S/P)
10	8183210	CLIP, TRIM (S/P)
11	W10064810	FOOT, LEVELING (S/P)
12	W10243966	BOLT, SHIPPING (UPPER) (S/P)
13	W10165710	BRACE, TRANSPORT (UPPER) (S/P)
13	W10003040	BRACE, TRANSPORT (LOWER) (S/P)
14	W10165713	PANEL, REAR (S/P)
15	3976348	ABSORBER, SOUND (S/P)
16	W10110677	BRACE, REAR (S/P)
17	8540479	SCREW, GROUNDING (S/P)
18	W10115662	HARNES, WIRING (LOWER MAIN) (S/P)
19	W10216383	CHANNEL, HARNES (SIDE) (S/P)
20	W10168549	CHANNEL, HARNES (BOTTOM) (S/P)
21	W10004260	HOSE, PRESSURE SWITCH (S/P)
22	8181763	BRACKET, SPRING (S/P)
23	W10085220	MICROSWITCH (2) (S/P)
24	356138	CLAMP, HOSE (S/P)
25	8181738	CONNECTOR, DRAIN HOSE (S/P)
26	8181737	HOSE, DRAIN (OUTER) (S/P)
27	8182635	STRAIN RELIEF (S/P)

28	8183009	CORD, POWER (S/P)
29	8182702	CLIP, OUTER HOSE HOLDER (S/P)
30	W10280024	U-BEND, DRAIN HOSE (S/P)
31	8182699	SLEEVE, CORD SUPPORT (2) (S/P)
32	8540727	SCREW, 3 X 8 MM (S/P)
33	8540268	COVER, TRANSPORT (S/P)
34	8182701	CLIP, OUTER HOSE HOLDER (S/P)
35	W10015090	SCREW, 8-18 X 5/8 (S/P)
36	3347868	CABLE TIE (S/P)
37	8540230	FILTER INTERFERENCE
38	W10249845	SWITCH, ANALOG PRESSURE SENSOR (S/P)
39	8540720	BRACE, TOP (INCLUDES ITEM 40) (S/P)
40	8283273	DAMPER, BRACE (S/P)

MHWE900VJ01 PUERTA

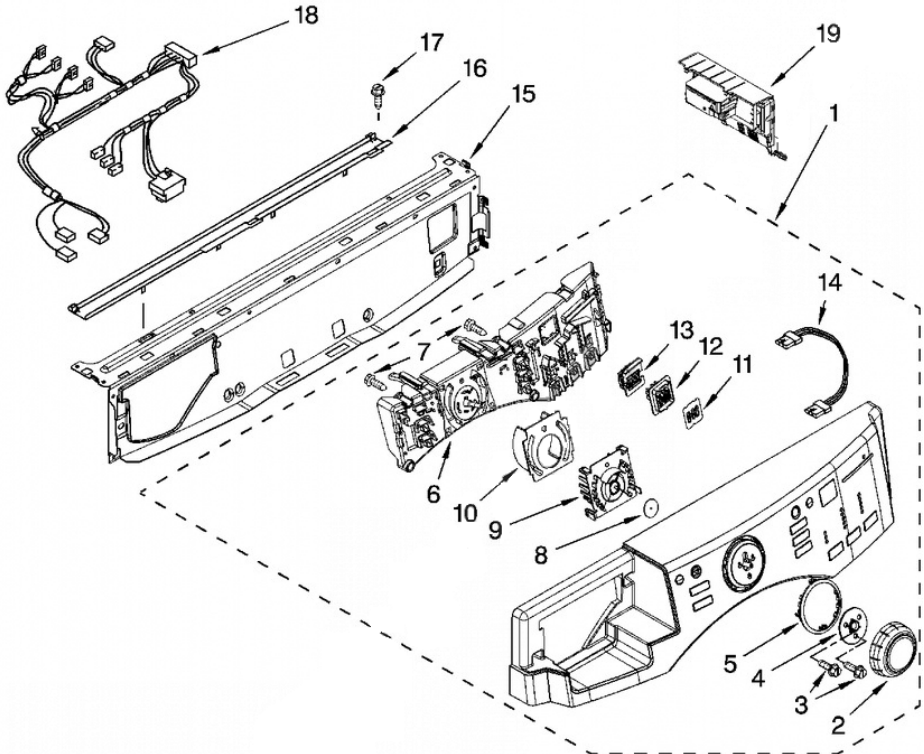




MHWE900VJ01 PUERTA

1	8182210	CLAMP, BELLOW TO TUB (S/P)
2	8182119	BELLOW (S/P)
3	8540772	LOCK, DOOR
4	8182211	CLAMP, BELLOW TO FRONT PANEL (S/P)
5	8540725	SCREW (S/P)
6	W10217552	HOOK, DOOR (S/P)
7	8540513	SCREW (S/P)
8	8540282	SCREW (S/P)
9	8540284	SCREW (S/P)
10	8183195	FRAME, DOOR BACK SUPPORT (S/P)
11	W10128586	CLAMP, GLASS SUPPORT (S/P)
12	8181655	GLASS, DOOR (S/P)
13	8183202	HINGE, DOOR (S/P)
14	W10015090	SCREW (S/P)
15	8183199	CLAMP, GLASS (2) (S/P)
16	8183256	FRAME, DOOR FRONT SUPPORT (S/P)
17	W10153278	SCREEN, DOOR (S/P)
18	W10193430	TRIM RING, OUTER DOOR (INCLUDES ITEM 19) (S/P)
19	W10121607	PAD, DOOR HANDLE (S/P)

MHWE900VJ01 TABLERO

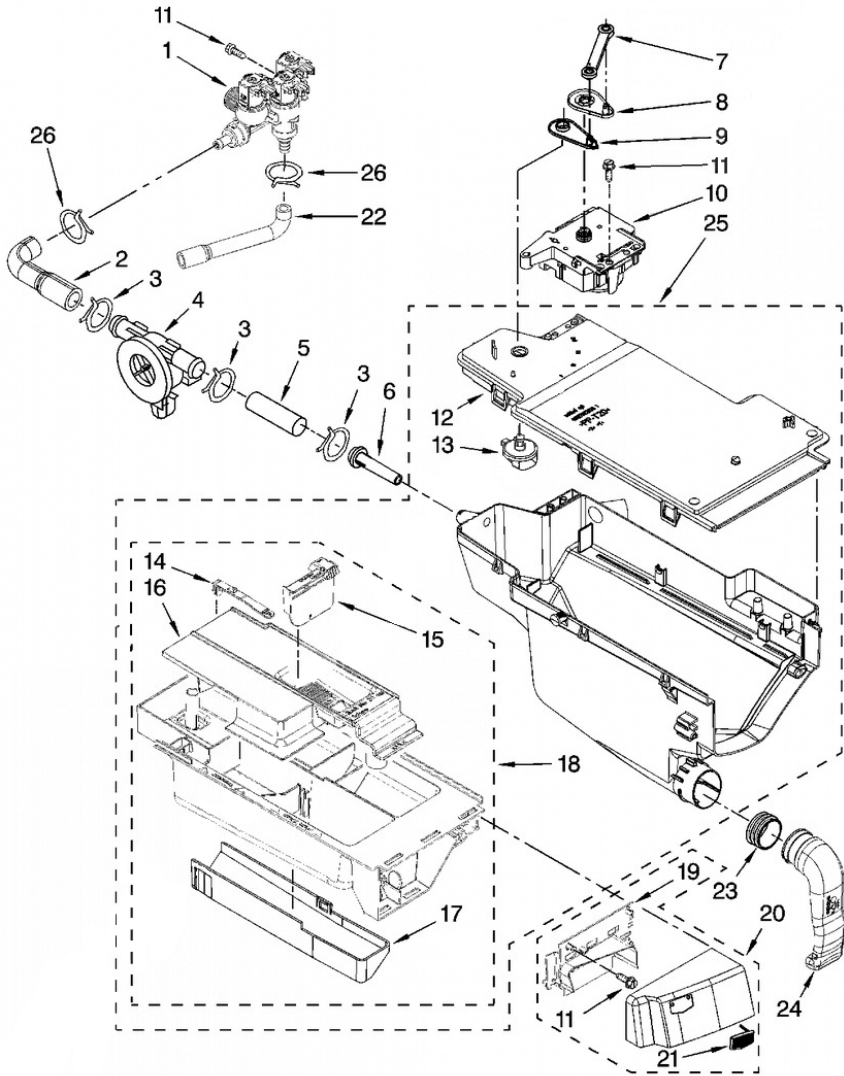




MHWE900VJ01 TABLERO

1	W10189237	PANEL, CONTROL (OXIDE) (S/P)
1	W10176645	PANEL, CONTROL (WHITE) (S/P)
2	W10164576	KNOB, CONTROL (S/P)
3	8540513	SCREW (S/P)
4	W10172298	BUSHING, KNOB (S/P)
5	W10164567	LIGHT GUIDE, CYCLE (S/P)
6	W10164542	USER INTERFACE, (S/P)
7	8540282	SCREW (S/P)
8	8572039	SEAL, USER INTERFACE (S/P)
9	W10170293	LIGHT GUIDE - CYCLE, INTERNAL (S/P)
10	W10170295	FRAME, LIGHT GUIDE (S/P)
11	W10171504	FOIL - DISPLAY (S/P)
12	W10164578	LIGHT GUIDE - 3 DIGIT DISPLAY (S/P)
13	W10171502	FRAME - LIGHT GUIDE DISPLAY (S/P)
14	W10067000	HARNESS, WIRING (USER INTERFACE) (S/P)
15	W10059240	BRACE, FRONT TOP (S/P)
16	8183204	CHANNEL, WATER (S/P)
17	W10015090	SCREW (S/P)
18	W10210828	HARNESS, WIRING (UPPER MAIN) (S/P)
19	W10217074	MICROCOMPUTER, MACHINE CONTROL (S/P)

MHWE900VJ01 DEPOSITO DETERGENTE

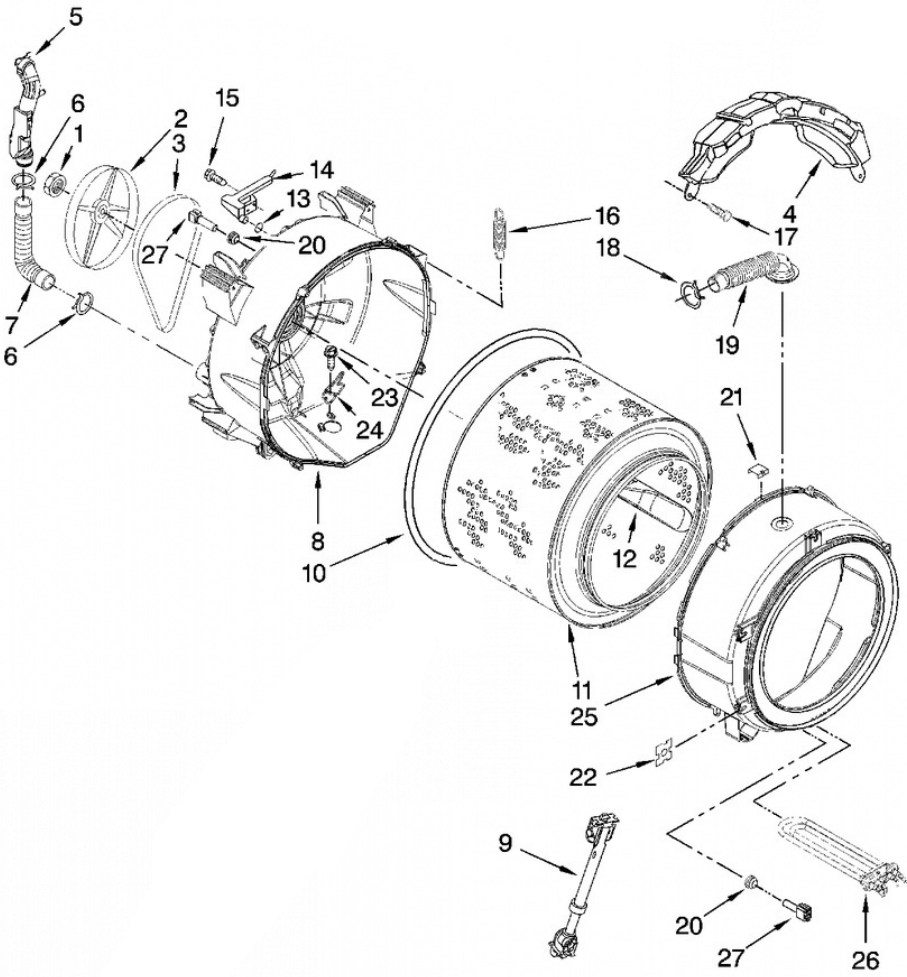




**MHWE900VJ01 DEPOSITO
DETERGENTE**

1	W10247305	VALVE, INLET (S/P)
2	8183182	HOSE, FLOWMETER (L-SHAPED) (S/P)
3	596669	CLAMP (S/P)
4	W10110225	FLOWMETER
5	8183180	HOSE, INLET NOZZLE (S/P)
6	8183181	NOZZLE, INLET (S/P)
7	8183183	LEVER, CONNECTION (S/P)
8	8183184	CAM, ACTUATOR (S/P)
9	W10161052	LEVER, WATER DISTRIBUTION (S/P)
10	8183186	ACTUATOR
11	8540282	SCREW (S/P)
12	W10164400	PLATE, DISTRIBUTION (S/P)
13	8181712	NOZZLE, DISTRIBUTION (S/P)
14	8181721	HOOK, DRAWER (S/P)
15	W10121596	SEPARATOR, WITH SELECTION SLIDER (S/P)
16	W10157775	SIPHON, BLEACH/SOFTENER (S/P)
17	8183179	COVER, DETERGENT DRAWER (S/P)
18	W10157760	DRAWER, DETERGENT (COMPLETE) (S/P)
19	W10153277	BRACKET, HANDLE FIXATION (WHITE) (S/P)
19	W10176657	BRACKET, HANDLE FIXATION (OXIDE) (S/P)
20	W10189241	HANDLE, DRAWER (OXIDE) (S/P)
20	W10193817	HANDLE, DRAWER (WHITE) (S/P)
21	W10177245	MEDALLION (S/P)
22	8181710	HOSE, INLET VALVE TO VENT PIPE (S/P)
23	8181747	SEAL (S/P)
24	8181718	TUBE, DISPENSER TO BELLOW (S/P)
25	W10157759	DISPENSER, COMPLETE (INCLUDES ITEM 9) (S/P)
26	489503	CLAMP, HOSE (S/P)

MHWE900VJ01 TINAS

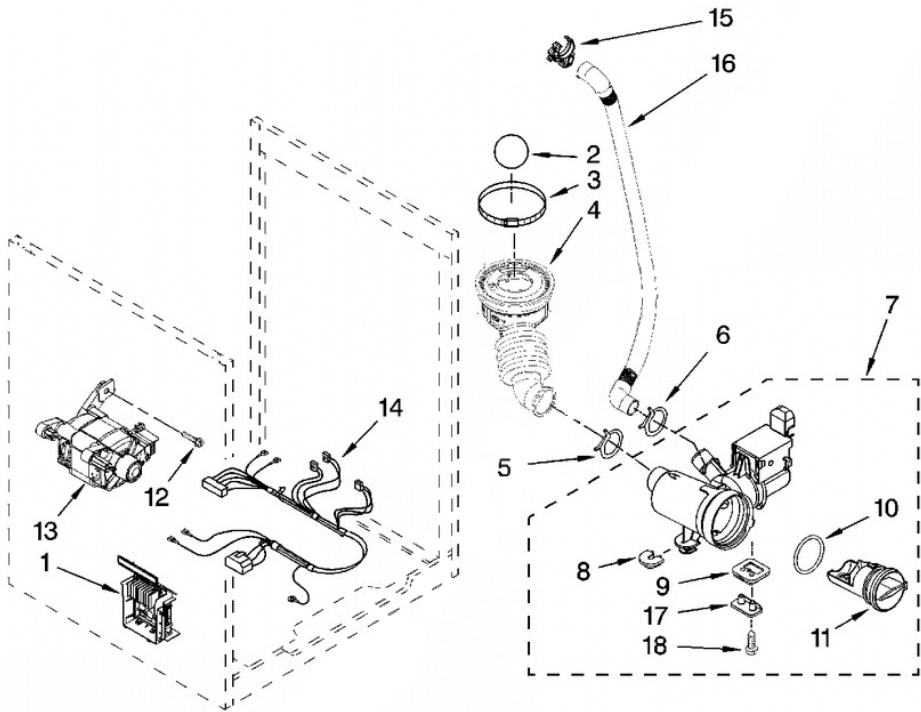




MHWE900VJ01 TINAS

1	W10283361	NUT, PULLEY (S/P)
2	8182650	PULLEY (S/P)
3	W10116215	BELT (S/P)
4	W10163424	COUNTERWEIGHT FRONT (2) (S/P)
5	W10249838	PIPE, VENTILATION (S/P)
6	8181746	CLAMP (S/P)
7	W10004330	HOSE, EXHAUST
8	W10250806	TUB, REAR (INCLUDES ITEMS 10, 22, 23 & 24) (S/P)
9	W10015830	SHOCK ABSORBER (4) (S/P)
10	W10036350	GASKET, TUB (S/P)
11	W10159904	BASKET (S/P)
12	W10110114	BAFFLE, TUB (S/P)
13	W10250553	O-RING (S/P)
14	8181731	AIRTRAP (S/P)
15	8540513	SCREW (S/P)
16	W10243909	SPRING, SUSPENSION (SET OF 2) (S/P)
17	W10094780	BOLT, COUNTERWEIGHT MTG. (S/P)
18	3363365	CLAMP, HOSE (S/P)
19	8540015	HOSE, EXHAUST
20	8540766	SEAL, NTC (S/P)
21	8540092	CLAMP, TUB (S/P)
22	8182512	NUT, PUSH-IN (S/P)
23	8540880	SCREW (S/P)
24	W10250558	BRACKET, HEATER SUPPORT (S/P)
25	W10250805	TUB, FRONT (INCLUDES ITEMS 10 & 22) (S/P)
26	W10249844	HEATER-STEAMER (S/P)
27	8181705	NTC (S/P)

MHWE900VJ01 MOTOR/ BOMBA





MHWE900VJ01 MOTOR/ BOMBA

1	W10015480	MOTOR CONTROL UNIT (S/P)
2	W10121657	BALL (S/P)
3	8540008	CLAMP (S/P)
4	8181732	HOSE, TUB TO PUMP
5	616099	CLAMP (S/P)
6	356138	CLAMP (S/P)
7	W10130913	PUMP (COMPLETE)
8	W10034820	FOOT, RUBBER (SLIDER) (S/P)
9	W10034830	FOOT, RUBBER (LOCK) (S/P)
10	8540025	SEAL, FILTER CAP (S/P)
11	8540996	CAP, FILTER (S/P)
12	8540134	BOLT, MOTOR (S/P)
13	W10140583	MOTOR (S/P)
14	W10004420	HARNESS, MOTOR (S/P)
15	8182209	RETAINER, DRAIN HOSE (S/P)
16	W10003250	DRAIN HOSE (INNER)
17	8540033	CAP, LOCK FOOT (S/P)
18	8533964	SCREW, 10-16 X 1.25 (2) (S/P)
NI	285863	DRAIN EXTENSION (S/P)
NI	38005	STACK KIT DESCONTINUADO
NI	8212452	REAR GUARD (S/P)
NI	72017	PAINT, TOUCH-UP (1/2OZ.) (WHITE) (S/P)
NI	W10202939	PAINT, TOUCH-UP (1/2OZ.) (OXIDE) (S/P)
NI	W10135699	AFFRESH ODOR REMOVER (S/P)