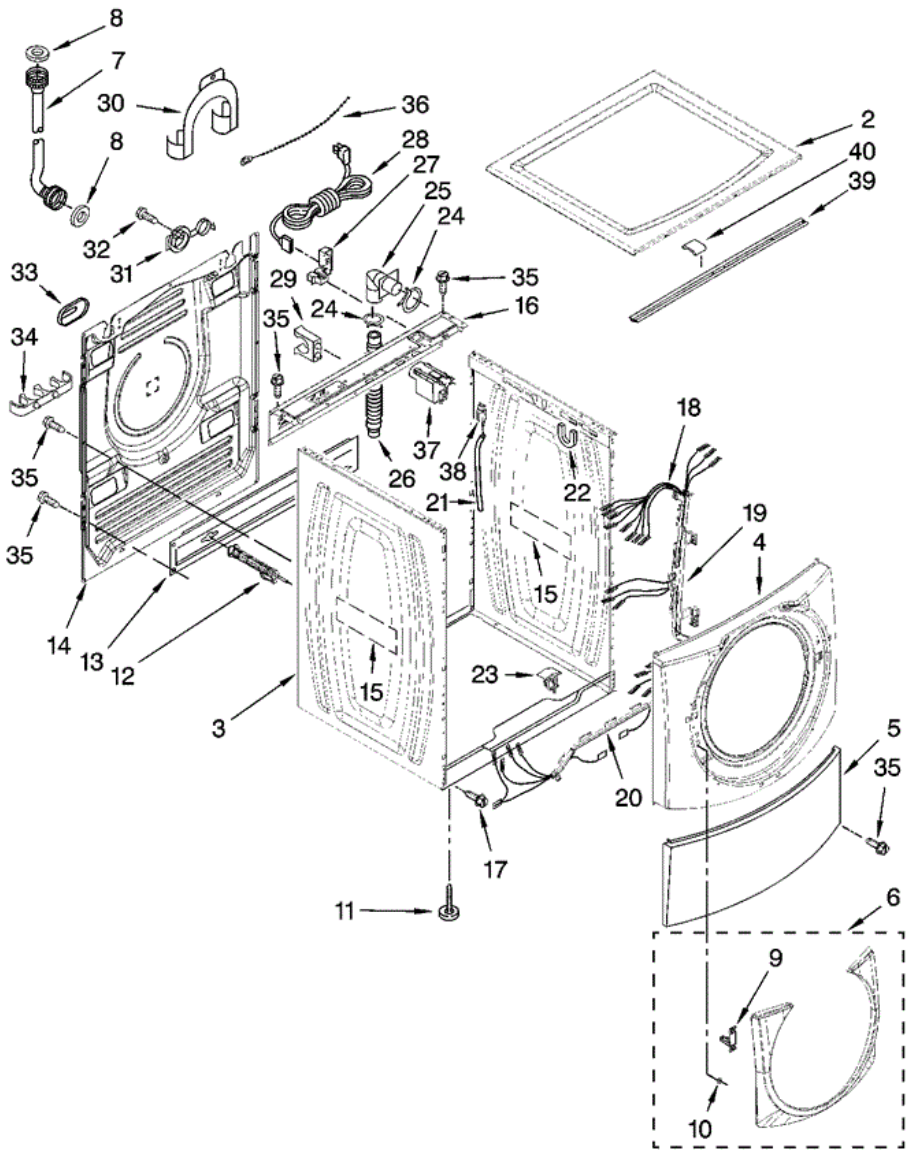


MHWE900VW01 GABINETE



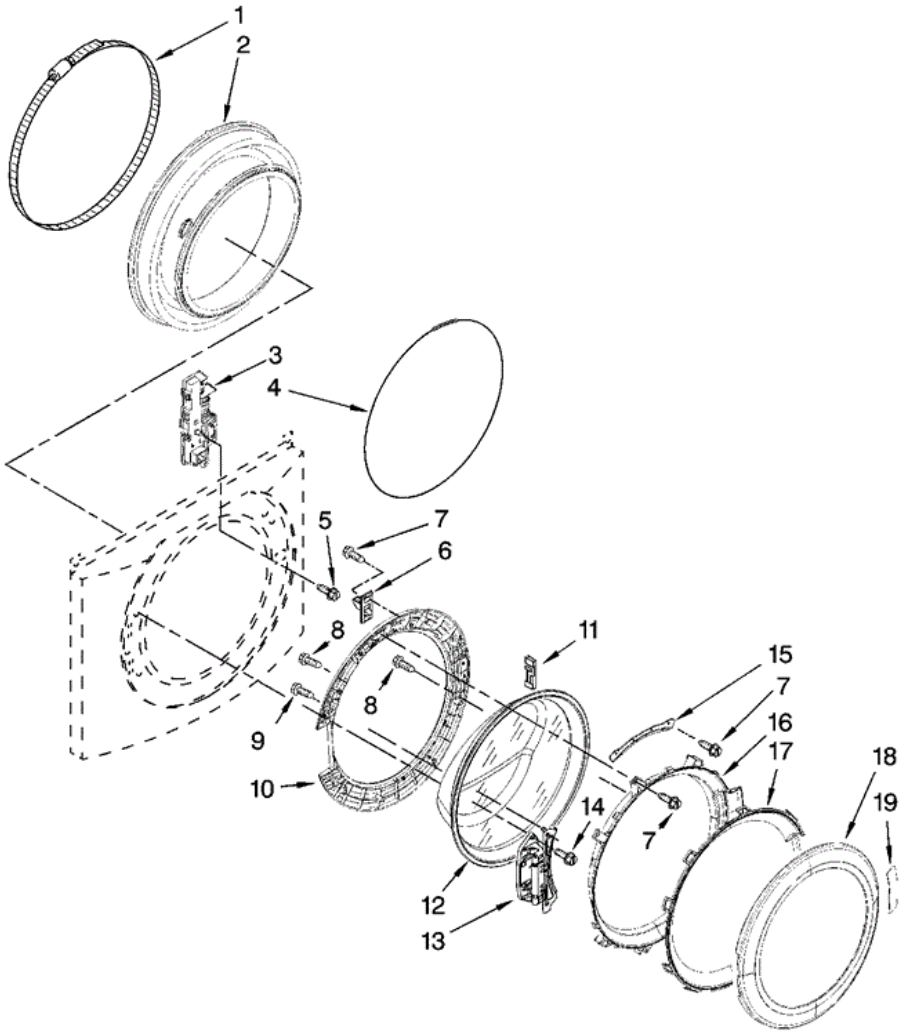


MHWE900VW01 GABINETE

2	W10003900	TOP (WHITE)
2	W10176932	TOP (OXIDE)
3	W10171708	CABINET (WHITE)
3	W10176856	CABINET (OXIDE)
4	W10157475	PANEL, FRONT (WHITE)
4	W10176908	PANEL, FRONT (OXIDE)
5	W10003640	TOE PANEL (WHITE)
5	W10176925	TOE PANEL (OXIDE)
6	W10182998	RING, TRIM (WHITE)
6	W10183001	RING, TRIM (OXIDE)
7	8571378	HOSE, WATER INLET (HOT WATER)
7	W10194208	HOSE, WATER INLET (COLD WATER)
8	16123	WASHER, WATER INLET HOSE (4)
9	W10112671	CLIP, TRIM-METAL
10	W10029650	CLIP, TRIM
11	W10064810	FOOT, LEVELING
12	W10190006	BOLT, SHIPPING (UPPER)
12	W10190007	BOLT, SHIPPING (LOWER)
13	W10003040	BRACE, TRANSPORT (LOWER)
13	W10165710	BRACE, TRANSPORT (UPPER)
14	W10165713	PANEL, REAR
15	3976348	ABSORBER, SOUND
16	W10110677	BRACE, REAR
17	8540479	SCREW, GROUNDING
18	W10115662	HARNESS, WIRING (LOWER MAIN)
19	W10216383	CHANNEL, HARNESS (SIDE)
20	W10168549	CHANNEL, HARNESS (BOTTOM)
21	W10004260	HOSE, PRESSURE SWITCH
22	W10008890	BRACKET, SPRING
23	8540210	MICROSWITCH (2)
24	356138	CLAMP, HOSE
25	W10003260	CONNECTOR, DRAIN HOSE
26	W10003280	HOSE, DRAIN (OUTER)

27	W10110676	STRAIN RELIEF
28	W10110674	CORD, POWER
29	W10022290	CLIP, OUTER HOSE HOLDER
30	8540021	U-BEND, DRAIN HOSE
31	8540728	SLEEVE, CORD SUPPORT (2)
32	8540727	SCREW, 3 X 8 MM
33	8540268	COVER, TRANSPORT
34	W10003270	CLIP, OUTER HOSE HOLDER
35	W10015090	SCREW, 8-18 X 5/8
36	3347868	CABLE TIE
37	8540230	FILTER, INTERFERENCE
38	W10249845	SWITCH, ANALOG PRESSURE SENSOR
39	8540720	BRACE, TOP (INCLUDES ITEM 40)
40	8283273	DAMPER, BRACE

MHWE900VW01 PUERTA

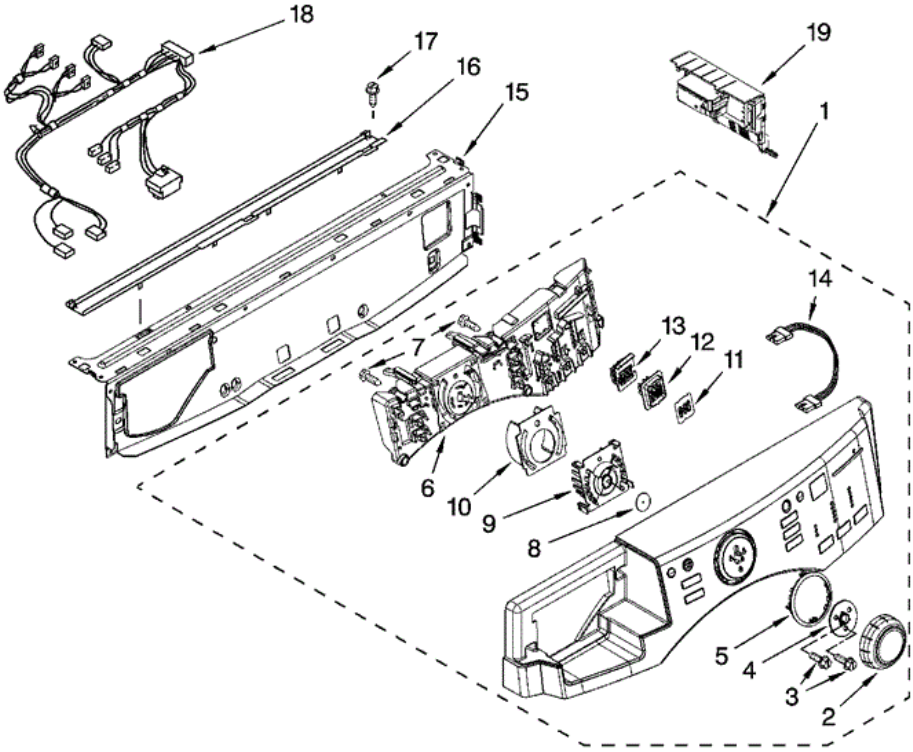




MHWE900VW01 PUERTA

1	8182210	CLAMP, BELLOW TO TUB
2	W10003800	BELLOW
3	8540772	LOCK, DOOR
4	W10003490	CLAMP, BELLOW TO FRONT PANEL
5	8540725	SCREW
6	W10003390	HOOK, DOOR
7	8540513	SCREW
8	8540282	SCREW
9	8540284	SCREW
10	W10003370	FRAME, DOOR BACK SUPPORT
11	W10003430	CLAMP, GLASS SUPPORT
12	W10135912	GLASS, DOOR
13	W10200695	HINGE, DOOR
14	W10015090	SCREW
15	W10003440	CLAMP, GLASS (2)
16	W10005220	FRAME, DOOR FRONT SUPPORT
17	W10153278	SCREEN, DOOR
18	W10193430	TRIM RING, OUTER DOOR (INCLUDES ITEM 19)
19	W10153281	PAD, DOOR HANDLE

MHWE900VW01 TABLERO

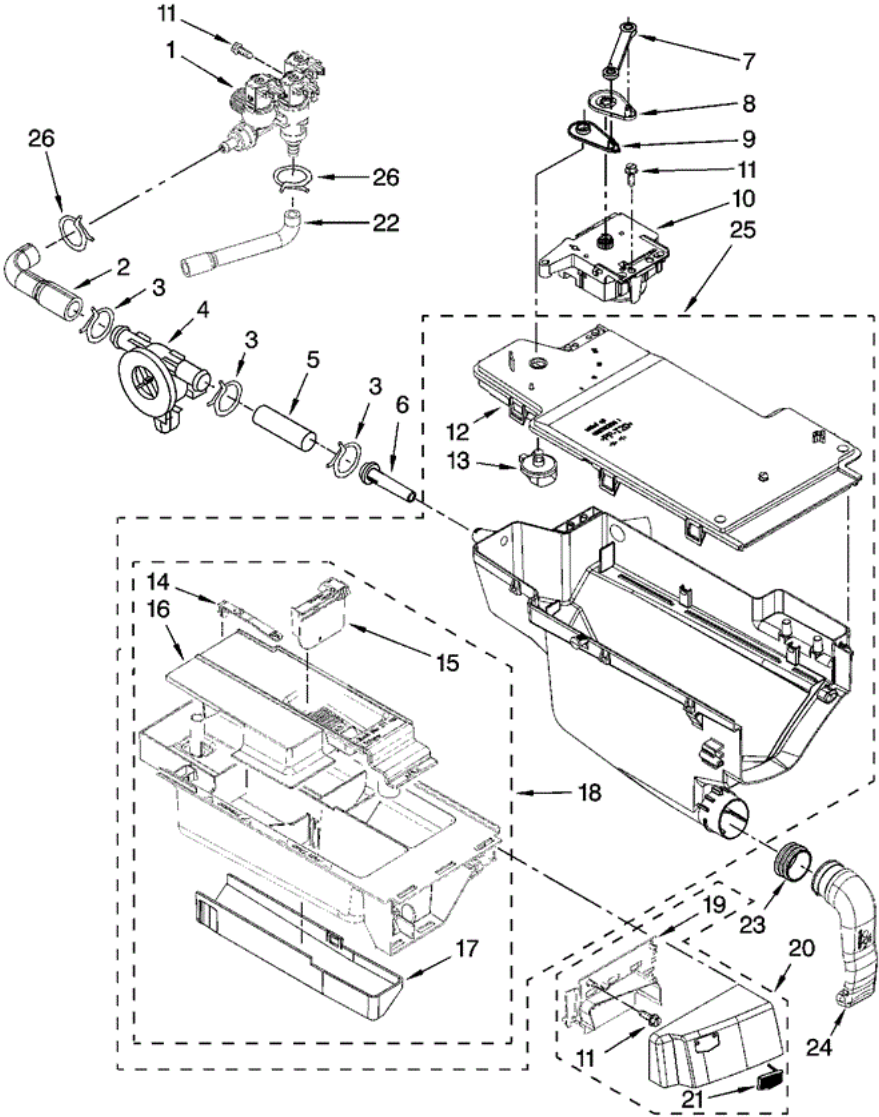




MHWE900VW01 TABLERO

1	W10176645	PANEL, CONTROL (WHITE)
1	W10176646	PANEL, CONTROL (OXIDE)
2	W10164576	KNOB, CONTROL
3	8540513	SCREW
4	W10172298	BUSHING, KNOB
5	W10164567	LIGHT GUIDE, CYCLE
6	W10164542	USER INTERFACE,
7	8540282	SCREW
8	8572039	SEAL, USER INTERFACE
9	W10170293	LIGHT GUIDE - CYCLE, INTERNAL
10	W10170295	FRAME-LIGHT GUIDE
11	W10171504	FOIL-DISPLAY
12	W10164578	LIGHT GUIDE - 3 DIGIT DISPLAY
13	W10171502	FRAME-LIGHT (GUIDE DISPLAY)
14	W10067000	HARNESS, WIRING (USER INTERFACE)
15	W10059240	BRACE, FRONT TOP
16	W10003700	CHANNEL, WATER
17	W10015090	SCREW
18	W10210828	HARNESS, WIRING (UPPER MAIN)
19	W10217074	MICROCOMPUTER, MACHINE CONTROL

MHWE900VW01 DISPENSADOR

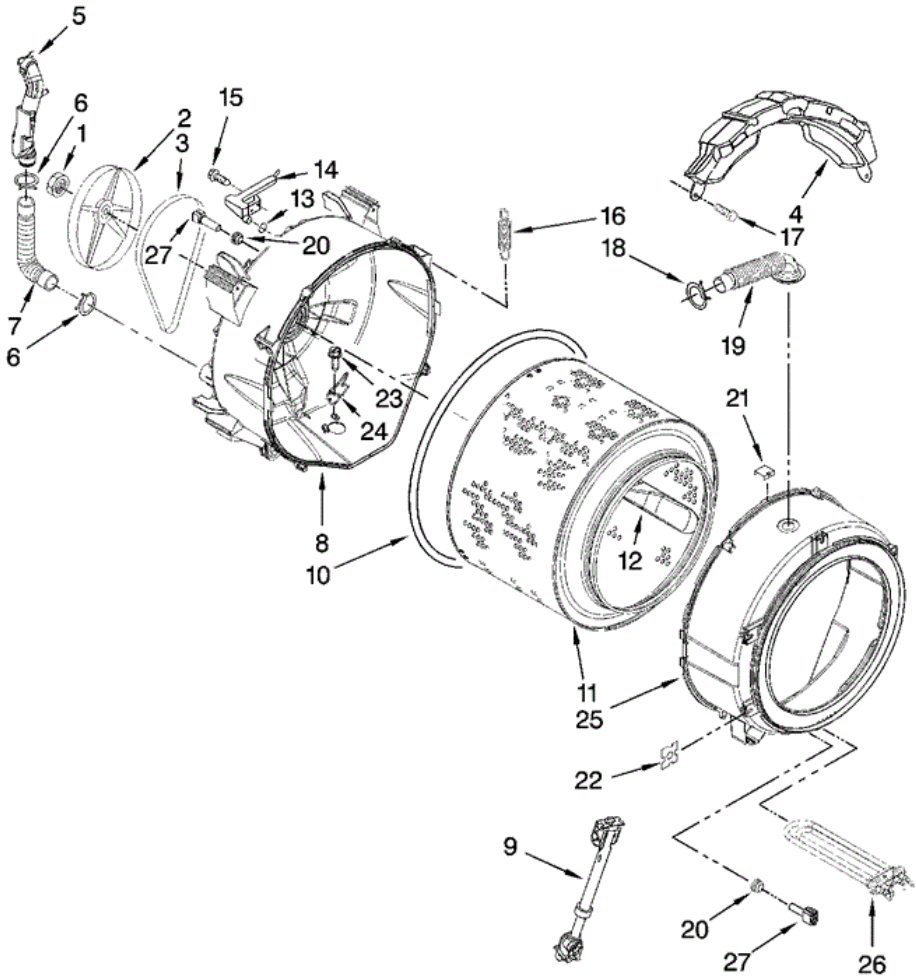




MHWE900VW01 DISPENSADOR

1	W10247305	VALVE, INLET
2	8183182	HOSE, FLOWMETER (L-SHAPED)
3	370450	CLAMP
4	W10110225	FLOWMETER
5	8183180	HOSE, INLET NOZZLE
6	8540042	NOZZLE, INLET
7	W10003830	LEVER, CONNECTION
8	W10003190	CAM, ACTUATOR
9	W10161052	LEVER, WATER DISTRIBUTION
10	W10163975	ACTUATOR
11	8540282	SCREW
12	W10164400	PLATE, DISTRIBUTION
13	W10003110	NOZZLE, DISTRIBUTION
14	W10003170	HOOK, DRAWER
15	W10015200	SEPARATOR, WITH SELECTION SLIDER
16	W10157775	SIPHON, BLEACH/SOFTENER
17	W10003140	COVER, DETERGENT DRAWER
18	W10157760	DRAWER, DETERGENT (COMPLETE)
19	W10153277	BRACKET, HANDLE FIXATION (WHITE)
19	W10176657	BRACKET, HANDLE FIXATION (OXIDE)
20	W10189241	HANDLE, DRAWER (OXIDE)
20	W10193817	HANDLE, DRAWER (WHITE)
21	W10177245	MEDALLION
22	8181710	HOSE, INLET VALVE TO VENT PIPE
23	W10003360	SEAL
24	W10005300	TUBE, DISPENSER TO BELLOW
25	W10157759	DISPENSER, COMPLETE (INCLUDES ITEM 9)
26	8181754	CLAMP, HOSE

MHWE900VW01 TAMBOR

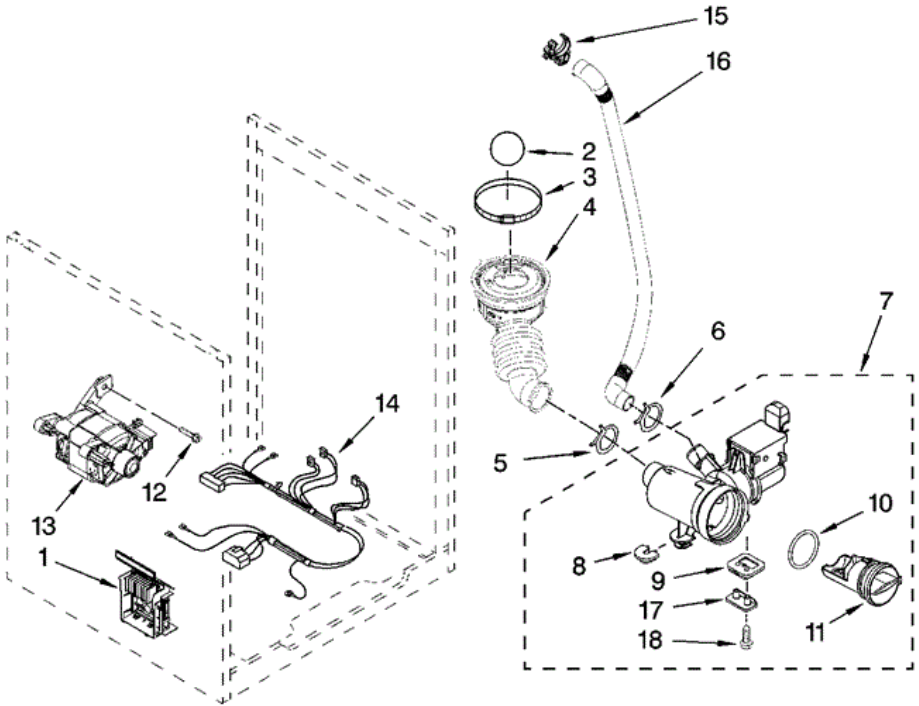




MHWE900VW01 TAMBOR

1	8533999	NUT, PULLEY
2	W10003730	PULLEY
3	W10116215	BELT
4	W10163424	COUNTERWEIGHT FRONT (2)
5	W10249838	PIPE, VENTILATION
6	8540010	CLAMP
7	W10004330	HOSE, EXHAUST
8	W10210658	TUB, REAR (INCLUDES ITEMS 10, 22, 23 & 24)
9	W10015830	SHOCK ABSORBER (4)
10	W10036350	GASKET, TUB
11	W10159904	BASKET
12	W10110114	BAFFLE, TUB
13	W10250553	O-RING
14	W10003600	AIRTRAP
15	8540513	SCREW
16	W10207549	SPRING, SUSPENSION (SET OF 2)
17	W10094780	BOLT, COUNTERWEIGHT MTG.
18	3363365	CLAMP, HOSE
19	8540015	HOSE, EXHAUST
20	8540766	SEAL, NTC
21	8540092	CLAMP, TUB
22	8540072	NUT, PUSH-IN
23	8540880	SCREW
24	W10250558	BRACKET, HEATER SUPPORT
25	W10190573	TUB, FRONT (INCLUDES ITEMS 10 & 22)
26	W10249844	HEATER-STEAMER
27	8540226	NTC

MHWE900VW01 MOTOR / BOMBA





MHWE900VW01 MOTOR / BOMBA

1	W10015480	MOTOR CONTROL UNIT
2	W10003330	BALL
3	8540008	CLAMP
4	W10003240	HOSE, TUB TO PUMP
5	370448	CLAMP
6	356138	CLAMP
7	W10117829	PUMP (COMPLETE)
8	W10034820	FOOT, RUBBER (SLIDER)
9	W10034830	FOOT, RUBBER (LOCK)
10	8540025	SEAL, FILTER CAP
11	8540996	CAP, FILTER
12	8540134	BOLT, MOTOR
13	W10140583	MOTOR
14	W10004420	HARNESS, MOTOR
15	W10003290	RETAINER, DRAIN HOSE
16	W10003250	DRAIN HOSE (INNER)
17	8540033	CAP, LOCK FOOT
18	8533964	SCREW, 10-16 X 1.25 (2)
NI		ACCESSORY PARTS
NI	285863	DRAIN EXTENSION
NI	38005	STACK KIT
NI	4396899	REAR GUARD
NI	72017	PAINT, TOUCH-UP (1/2OZ.) (WHITE)
NI	W10135699	AFFRESH ODOR REMOVER
NI	W10202939	PAINT, TOUCH-UP (1/2OZ.) (OXIDE)