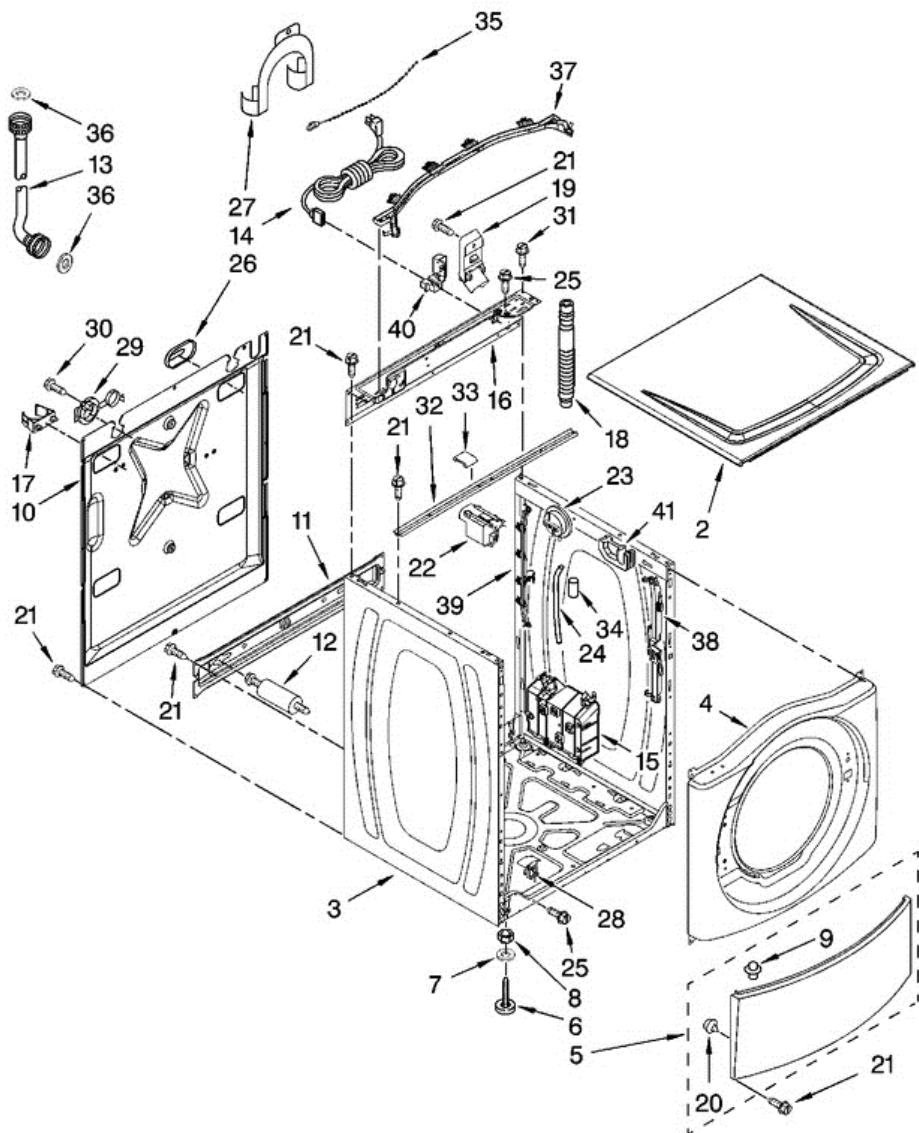


Distribuidor Autorizado

SurteRápido.com

Venta de Refacciones
Electrodomesticas

MHWZ600TB00 GABINETE



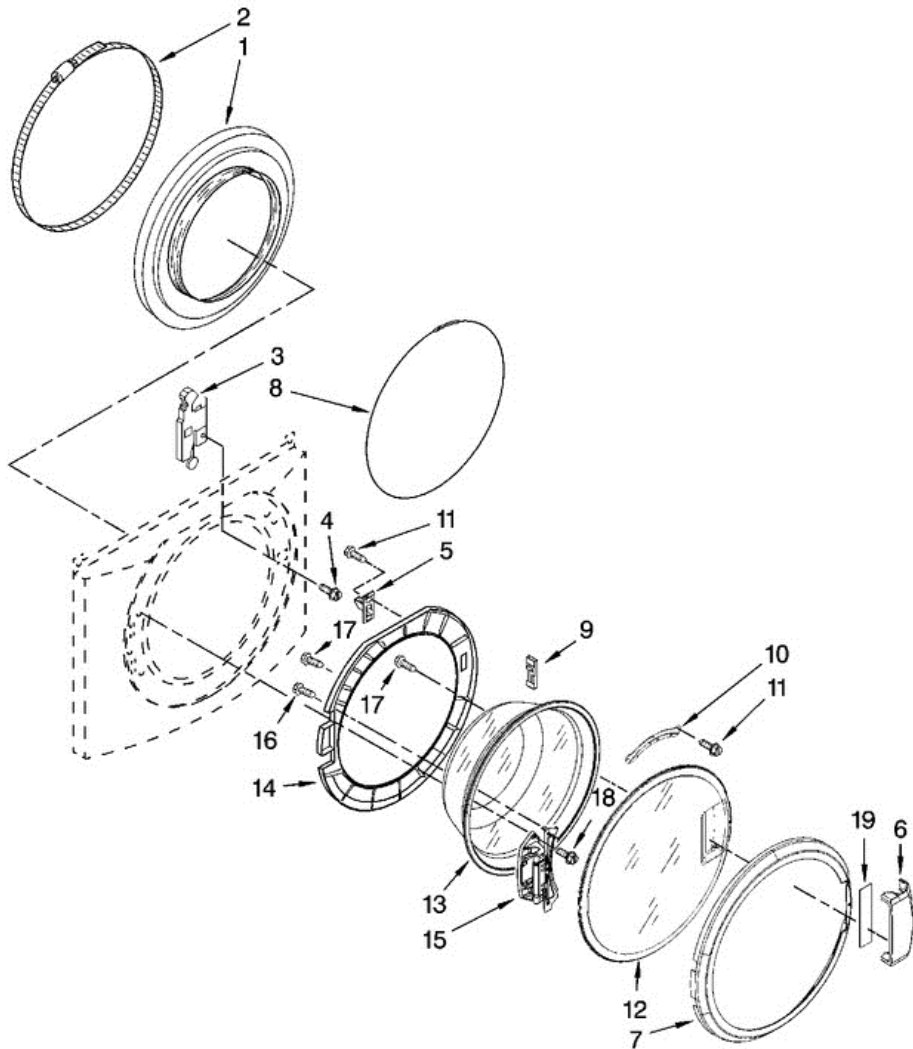


MHWZ600TB00 GABINETE

| | | |
|----|-----------|----------------------------------|
| 2 | 8540716 | TOP (WHITE) |
| 2 | W10128645 | TOP (BLACK) |
| 2 | W10135105 | TOP (PACIFIC BLUE) |
| 3 | 8540548 | CABINET (WHITE) |
| 3 | W10117456 | CABINET (BLACK) |
| 3 | W10135011 | CABINET (PACIFIC BLUE) |
| 4 | W10112948 | PANEL, FRONT (WHITE) |
| 4 | W10117457 | PANEL, FRONT (BLACK) |
| 4 | W10119003 | PANEL, FRONT (PACIFIC BLUE) |
| 5 | W10112981 | TOE PANEL (BLACK) |
| 5 | W10135013 | TOE PANEL (PACIFIC BLUE) |
| 5 | W10135103 | TOE PANEL (WHITE) |
| 6 | W10121009 | FOOT, LEVELING (4) |
| 7 | 487576 | WASHER, PLASTIC |
| 8 | 3359452 | NUT, LOCK (4) |
| 9 | 8518891 | RIVET |
| 10 | 8540580 | PANEL, REAR |
| 11 | 8540581 | BRACE, TRANSPORT |
| 12 | 8540199 | BOLT, SHIPPING (4) |
| 13 | 8571377 | HOSE, WATER INLET (BLUE COUPLER) |
| 13 | 8571378 | HOSE, WATER INLET (RED COUPLER) |
| 14 | W10121405 | CORD, POWER |
| 15 | 8540540 | MOTOR CONTROL UNIT |
| 16 | 8540974 | BRACE, REAR |
| 17 | 8540093 | CLAMP, TUBE TRANSPORTATION |
| 18 | W10114608 | HOSE, DRAIN |
| 19 | 8540607 | RETAINER, HOSE OUTLET |
| 20 | 238614 | BUMPER (2) |
| 21 | W10015090 | SCREW, 8-18 X 5/8 |
| 22 | 8540230 | FILTER, INTERFERENCE |
| 23 | 8540224 | SWITCH, PRESSURE |
| 24 | 8540294 | HOSE, PRESSURE SWITCH |
| 25 | 8540479 | SCREW, GROUNDING |

| | | |
|----|-----------|---|
| 26 | 8540268 | COVER, TRANSPORT |
| 27 | 8540021 | U-BEND, DRAIN HOSE |
| 28 | W10085220 | MICROSWITCH (2) |
| 29 | 8540728 | SLEEVE, CORD SUPPORT (2) |
| 30 | 8540727 | SCREW, 3 X 8 MM |
| 31 | 8540329 | SCREW |
| 32 | 8540720 | BRACE, TOP (INCLUDES ITEM 33) |
| 33 | 8283273 | DAMPER, BRACE |
| 34 | 2161302 | SLEEVE, PRESSURE SWITCH HOSE |
| 35 | 3347868 | CABLE TIE |
| 36 | 16123 | WASHER, WATER INLET HOSE (4) (1-1/16 X 5/8) |
| 37 | 8540290 | HARNESS CHANNEL, TOP REAR |
| 38 | 8540288 | HARNESS CHANNEL, SIDE FRONT |
| 39 | 8540289 | HARNESS CHANNEL, SIDE REAR |
| 40 | W10110676 | STRAIN RELIEF, POWER CORD |
| 41 | 8540644 | BRACKET, SPRING |

MHWZ600TB00 PUERTA

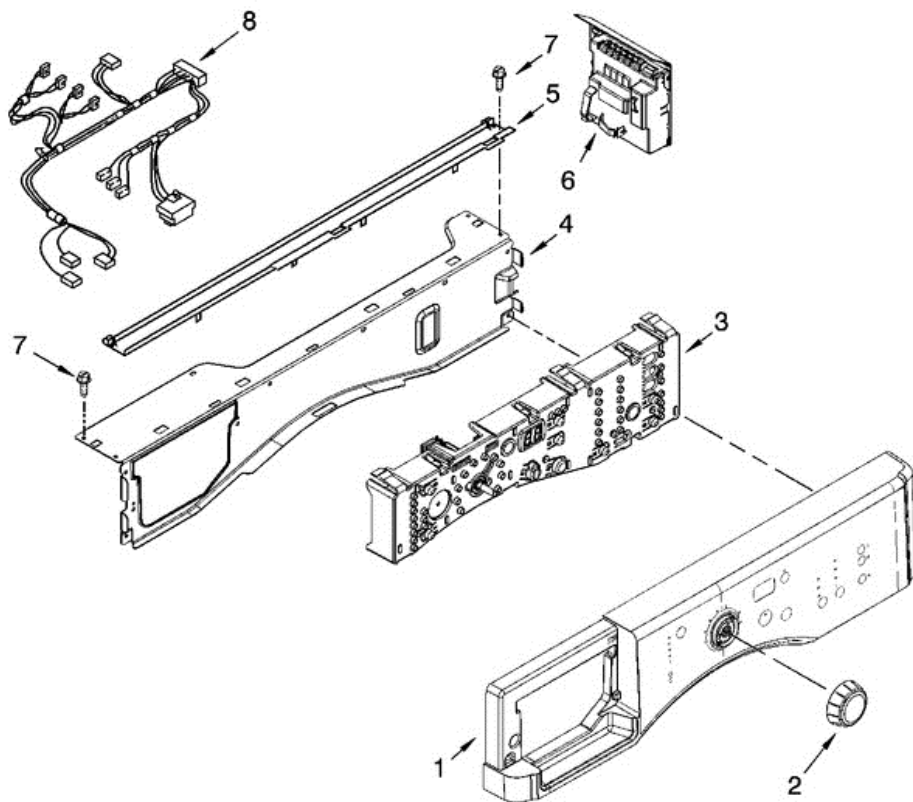




MHWZ600TB00 PUERTA

| | | |
|----|-----------|----------------------------|
| 1 | 8540952 | BELLOW |
| 2 | 8540108 | CLAMP, BELLOW |
| 3 | 8540772 | LOCK, DOOR |
| 4 | 8540725 | SCREW |
| 5 | 8540221 | HOOK, DOOR |
| 6 | W10117475 | HANDLE, DOOR |
| 7 | W10112915 | TRIM RING, OUTER DOOR |
| 8 | 8540107 | CLAMP, BELLOW (FRONT) |
| 9 | 8540115 | CLAMP, SUPPORT |
| 10 | 8540114 | CLAMP, GLASS (2) |
| 11 | 8540513 | SCREW |
| 12 | W10119007 | FRAME, DOOR FRONT ASSEMBLY |
| 13 | 8540428 | GLASS, DOOR |
| 14 | W10138523 | FRAME, DOOR BACK SUPPORT |
| 15 | W10118967 | HINGE, DOOR |
| 16 | 8540284 | SCREW |
| 17 | 8540282 | SCREW |
| 18 | W10015090 | SCREW |
| 19 | W10112927 | PAD, DOOR HANDLE |

MHWZ600TB00 TABLERO

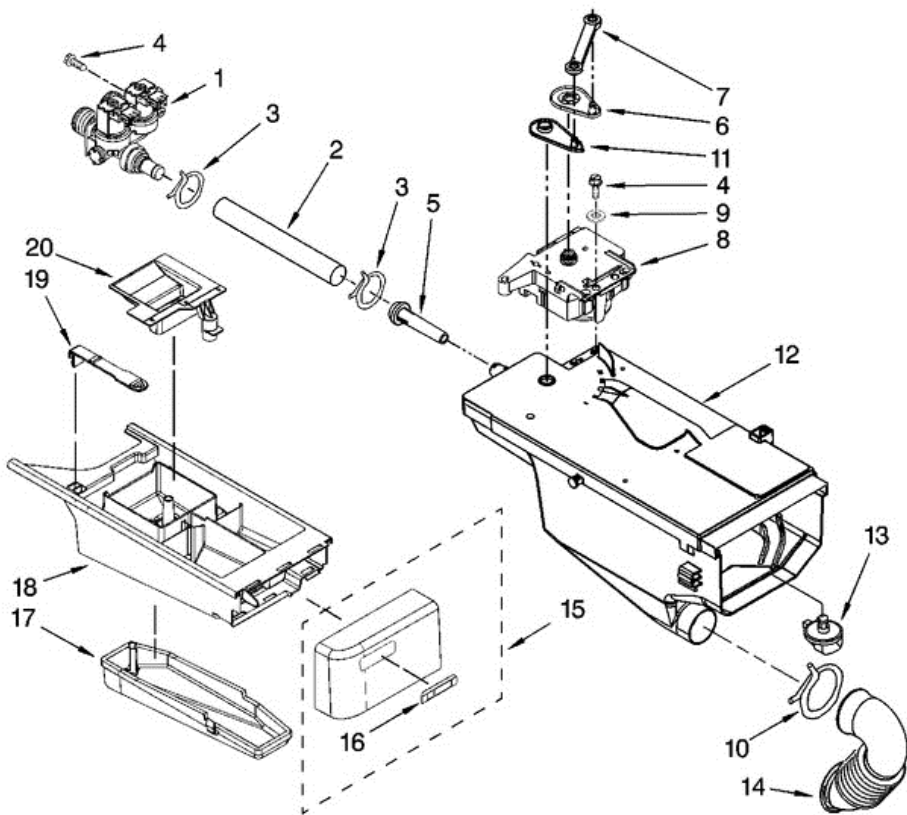




MHWZ600TB00 TABLERO

| | | |
|---|-----------|--------------------------------|
| 1 | W10117409 | PANEL, CONTROL (WHITE) |
| 1 | W10117413 | PANEL, CONTROL (BLACK) |
| 1 | W10119012 | PANEL, CONTROL (PACIFIC BLUE) |
| 2 | W10119050 | KNOB, CONTROL |
| 3 | W10117419 | USER INTERFACE |
| 4 | 8540558 | BRACE, TOP FRONT |
| 5 | 8540722 | CHANNEL, WATER |
| 6 | W10118971 | MICROCOMPUTER, MACHINE CONTROL |
| 7 | W10015090 | SCREW, 8-18 X 5/8 |
| 8 | 8540524 | HARNESS, WIRING (MAIN) |

MHWZ600TB00 DISPENSADOR

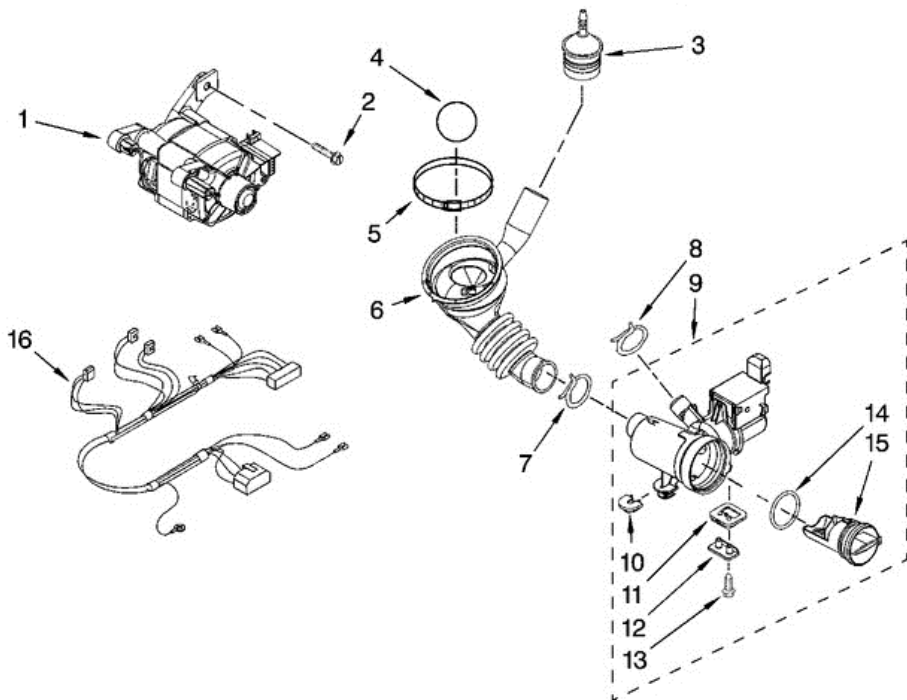




MHWZ600TB00 DISPENSADOR

| | | |
|----|-----------|-------------------------------|
| 1 | 8540751 | VALVE, INLET |
| 2 | 8540065 | HOSE, VALVE TO DISPENSER |
| 3 | 370450 | CLAMP, HOSE |
| 4 | 8540282 | SCREW |
| 5 | 8540042 | NOZZLE, INLET |
| 6 | 8540393 | CAM, ACTUATOR |
| 7 | 8540394 | LEVER, WATER DISTRIBUTION |
| 8 | 8540041 | ACTUATOR |
| 9 | VS611 | WASHER |
| 10 | 8281276 | CLAMP, HOSE |
| 11 | 8540395 | CONNECTION, LEVER |
| 12 | 8540058 | DISPENSER |
| 13 | 8540053 | NOZZLE, DISTRIBUTION |
| 14 | 8540063 | HOSE, DISPENSER TO TUB |
| 15 | W10118955 | HANDLE, DRAWER (WHITE) |
| 15 | W10118961 | HANDLE, DRAWER (BLACK) |
| 15 | W10119017 | HANDLE, DRAWER (PACIFIC BLUE) |
| 16 | W10112569 | BADGE ASSEMBLY |
| 17 | 8540399 | COVER, DETERGENT DRAWER |
| 18 | 8540402 | DRAWER, DETERGENT |
| 19 | 8540400 | HOOK, DRAWER |
| 20 | 8540429 | SIPHON, BLEACH/SOFTENER |

MHWZ600TB00 MOTOR/BOMBA

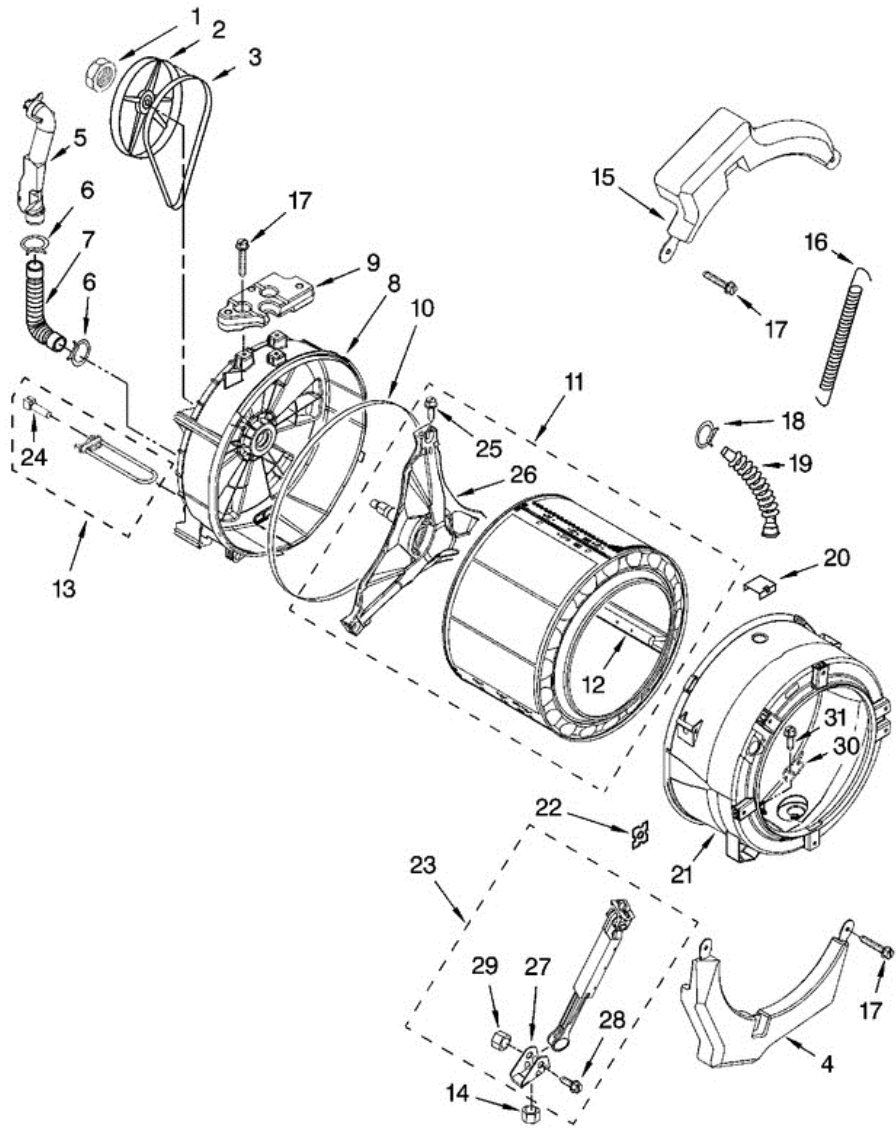




MHWZ600TB00 MOTOR/BOMBA

| | | |
|----|-----------|------------------------------------|
| 1 | W10140582 | MOTOR, DRIVE |
| 2 | 8540134 | BOLT, MOTOR |
| 3 | 8540180 | AIR TRAP |
| 4 | 8540013 | BALL |
| 5 | 8540008 | CLAMP |
| 6 | 8540012 | HOSE, TUB TO PUMP |
| 7 | 370448 | CLAMP, HOSE |
| 8 | 356138 | CLAMP, DRAIN HOSE |
| 9 | W10130913 | PUMP (COMPLETE) |
| 10 | W10034820 | FOOT, RUBBER (SLIDER) |
| 11 | W10034830 | FOOT, RUBBER (LOCK) |
| 12 | 8540033 | CAP, LOCK FOOT |
| 13 | 8533964 | SCREW, 10-16 X 1.25 (2) |
| 14 | 8540025 | SEAL, FILTER CAP |
| 15 | 8540996 | FILTER ASSEMBLY (INCLUDES ITEM 14) |
| 16 | 8540525 | HARNESS, MOTOR |

MHWZ600TB00 TINA





MHWZ600TB00 TINA

| | | |
|----|-----------|--|
| 1 | 8533999 | NUT, PULLEY |
| 2 | 8540088C | PULLEY |
| 3 | W10116215 | BELT, DRIVE |
| 4 | 8540600 | COUNTERWEIGHT, FRONT LOWER |
| 5 | W10112169 | PIPE, VENTILATION |
| 6 | 8540010 | CLAMP, VENT HOSE |
| 7 | 8540019 | HOSE, EXHAUST |
| 8 | W10112663 | TUB, REAR (INCLUDES ITEMS 10, 21 & 22) |
| 9 | 8540604 | COUNTERWEIGHT, REAR |
| 10 | 8540090 | GASKET, TUB |
| 11 | W10112984 | BASKET, COMPLETE |
| 12 | W10112972 | BAFFLE, TUB |
| 13 | 8540323 | ELEMENT, HEATING |
| 14 | 8534084 | NUT, SHOCK ABSORBER MOUNTING |
| 15 | 8540598 | COUNTERWEIGHT, FRONT UPPER |
| 16 | W10010360 | SPRING, SUSPENSION |
| 17 | W10094780 | BOLT, COUNTERWEIGHT MTG. |
| 18 | 3363365 | CLAMP, HOSE |
| 19 | 8540015 | HOSE, EXHAUST |
| 20 | 8540092 | CLAMP, TUB |
| 21 | W10112664 | TUB, FRONT (INCLUDES ITEMS 8, 10, 22, 30 & 31) |
| 22 | 8540072 | NUT, PUSH-IN |
| 23 | W10084740 | SHOCK ABSORBER |
| 24 | 8540226 | NEGATIVE THERMISTOR CONTROL |
| 25 | 8540382 | SCREW |
| 26 | 8540342 | CROSSPIECE ASSEMBLY |
| 27 | 8540940 | BRACKET, SHOCK ABSORBER MOUNTING |
| 28 | 8540841 | BOLT, SHOCK BRKT. |
| 29 | 8540842 | NUT, SHOCK BRKT. |
| 30 | 8540322 | BRACKET, HEATING ELEMENT |
| 31 | 8540880 | SCREW |