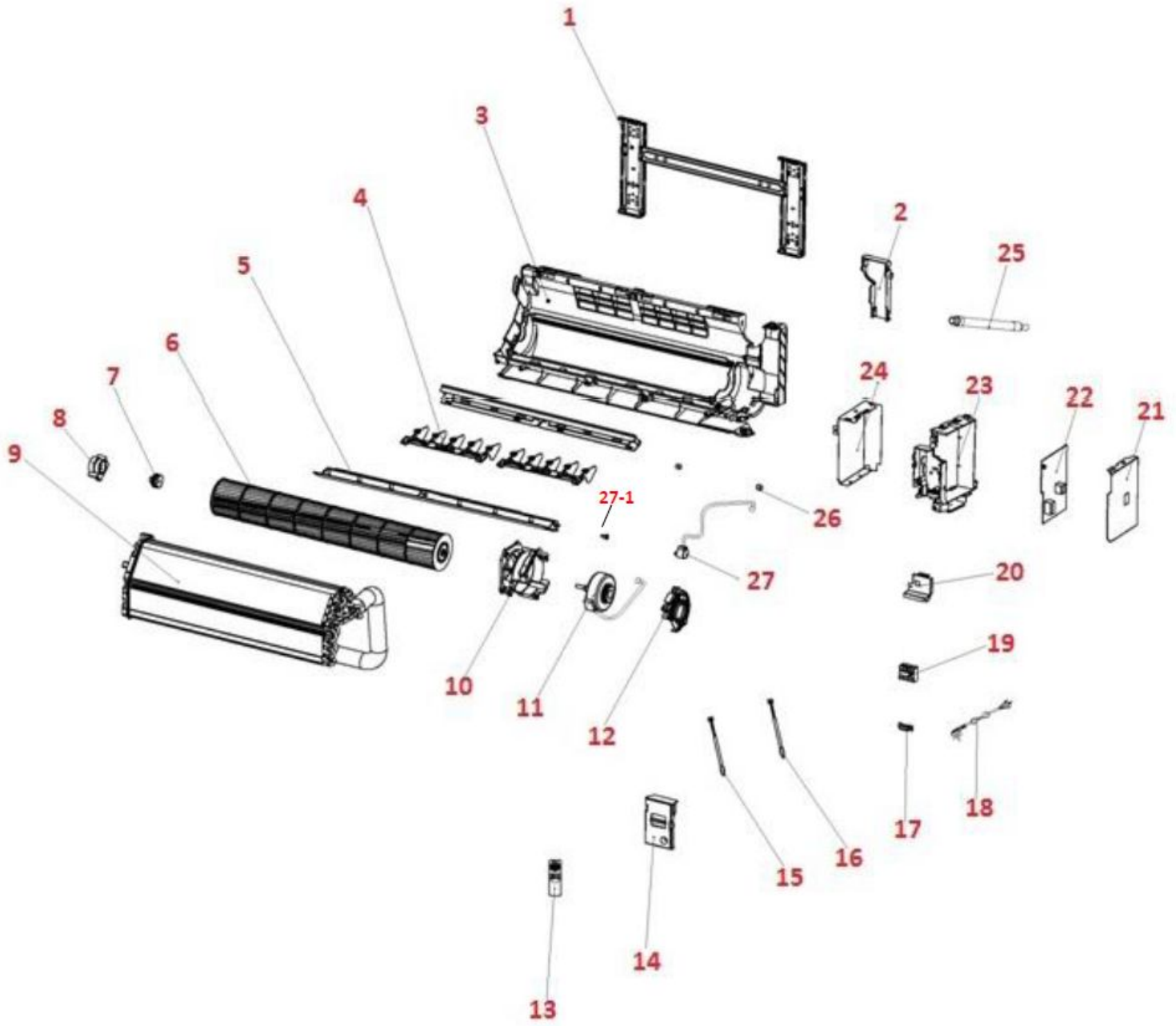
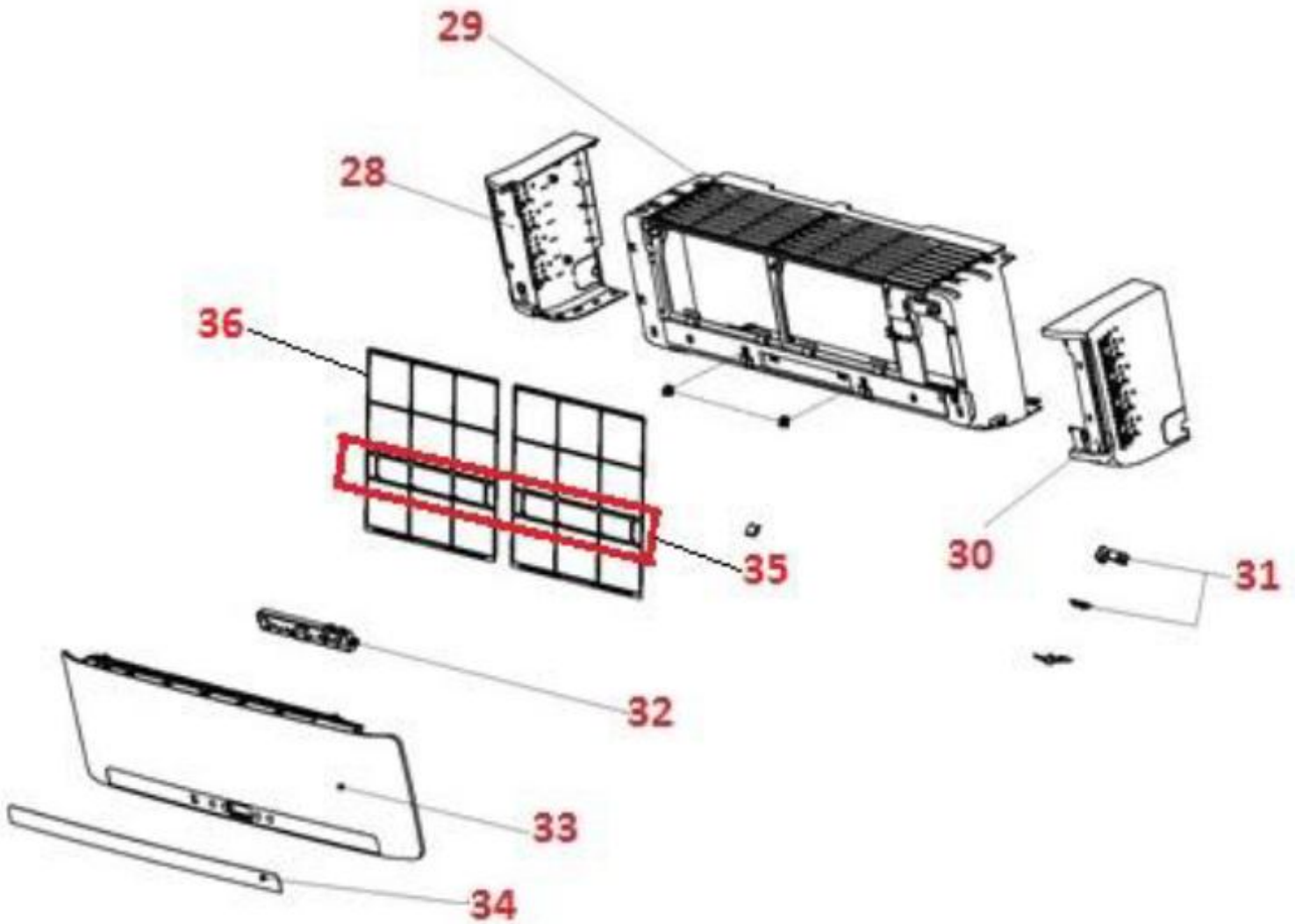


# MINISPLIT WA6067D



# MINISPLIT WA6067D

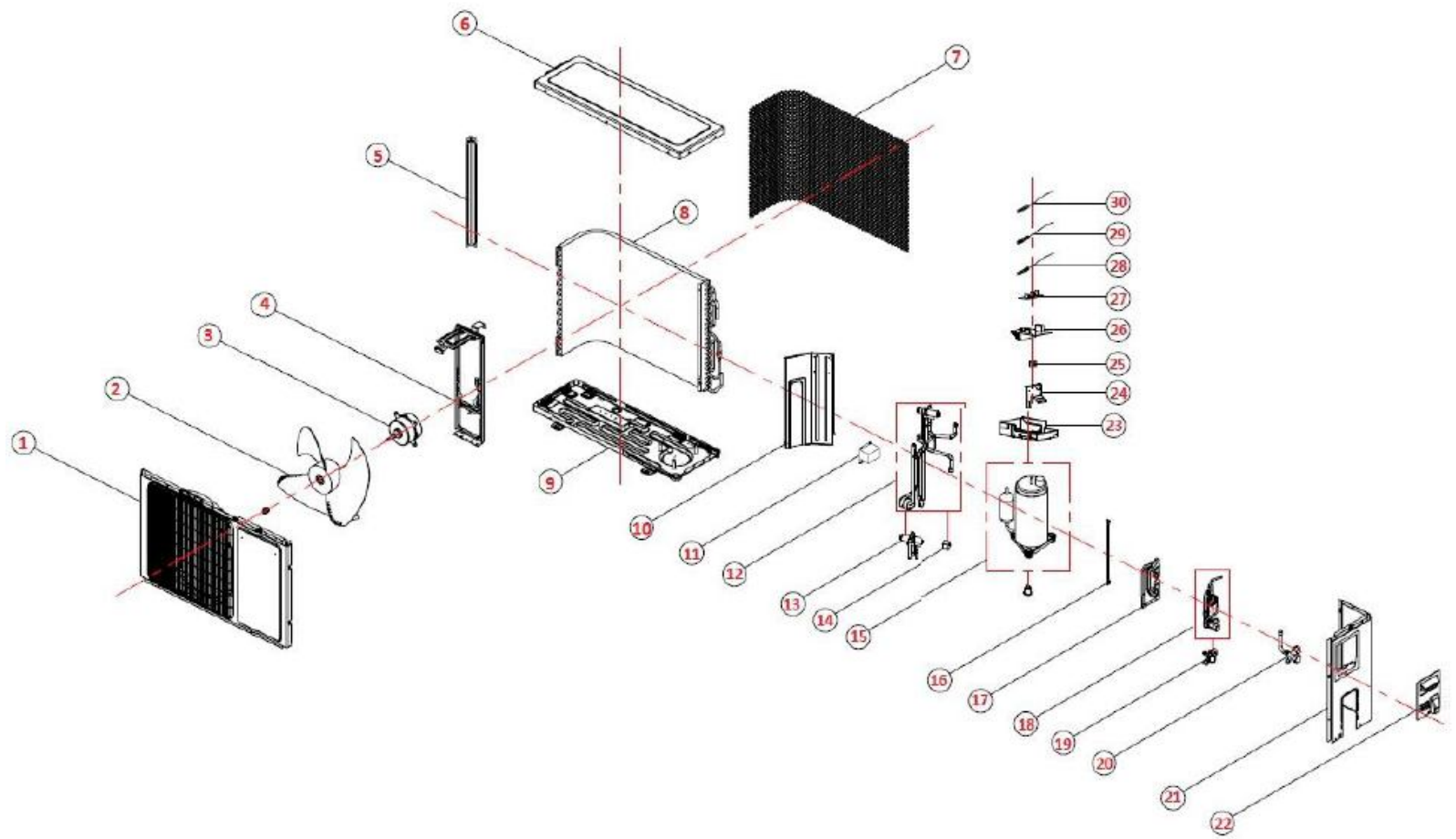




# MINISPLIT WA6067D

No. Ilustración	Descripción	No. Parte
1	INSTALLATION PLATE ASSY	1465589
2	BAFFLE	1465666
3	BASE HOLDER PART	1802220
4	VERTICAL LEVEL VANE	1465662
5	LEVEL VANE	1833191
6	CROSS-FLOW FAN BLADE	1466014
7	BEARING	1223739
8	BAFFLE	1465670
9	REFRIGERATION SYSTEM	1512275
10	MOTOR GUARD	1465756
11	FAN MOTOR	1505210
12	MOTOR COVER	1465757
13	REMOTE CONTROLLER	4046900
14	ELECTRIC BOX COVER	1465759
15	TEMPERATURE SENSOR	1387643
16	TEMPERATURE SENSOR	1471151
17	CLAMP	1456755
18	AC POWER WIRE	NA
19	WIRE TERMINAL BOARD	1262152
20	ELECTRIC BOX COVER	1465763
21	ELEC JOINT BOX PLATE	1465761
22	INDOOR MAIN CONTROL BOARD COMPONENT	1908210
23	ELECTRIC BOX	1465758
24	ELEC JOINT BOX PLATE	1465762
25	WATER PIPE PARTS	1470426
26	AXIS SHEATH	1222824
27	STEP MOTOR	1260259
27-1	AXLE SLEEVE	1465593
28	ORNAMENTAL PART	1833179
29	SHELL	1833190
30	ORNAMENTAL PART	1833180
31	SWITCH PANEL ASSY	1823826
32	DISPLAY COMPONENT	1875000
33	PANEL	1833169
34	DISPLAY FILM	4051677
35	COMBO FILTER	1542897
36	FILTER	1506312

# MINISPLIT WA6067D







# MINISPLIT WA6067D

No. Ilustración	Descripción	No. Parte
1	PANEL PARTS	1832902
2	PROPELLER FAN BLADE	1405123
3	FAN MOTOR	1820938
4	MOTOR SUPPORTER	1824869
5	MOUNTING PLATE	1824871
6	UPPER BOARD	1824865
7	BACK GUARD	1910204
8	CONDENSER ASSEMBLY	1854202
9	BASE HOLDER PART	1832900
10	CLAPBOARD	1843005
11	PFC INDUCTANCE	1343046
12	4-WAY VALVE ASSEMBLY	1864878
13	4-WAY VALVE	1258654
14	FOUR-WAY VALVE COIL	1511783
15	COMPRESSOR	1821191
16	COMPRESSOR CONNECT WIRE	1822371
17	MOUNTING PLATE	1824870
18	CAPILLARY ASSEMBLY	1821167
19	2-WAY VALVE	1258653
20	3-WAY VALVE	1407169
21	RIGHT SIDE BOARD	1824867
22	WIRING DISTRIBUTION COVER ASSY	1276574
23	ELECTRIC BOX	1823291
24	CONNECTING BOARD	1843011
25	WIRE TERMINAL BOARD	1874547
26	CONTORL PANEL COMPONENT	1874709
27	FILTER BOARD	NA
28	TEMPERATURE SENSOR	1472663
29	TEMPERATURE SENSOR	1472664
30	TEMPERATURE SENSOR	1831029