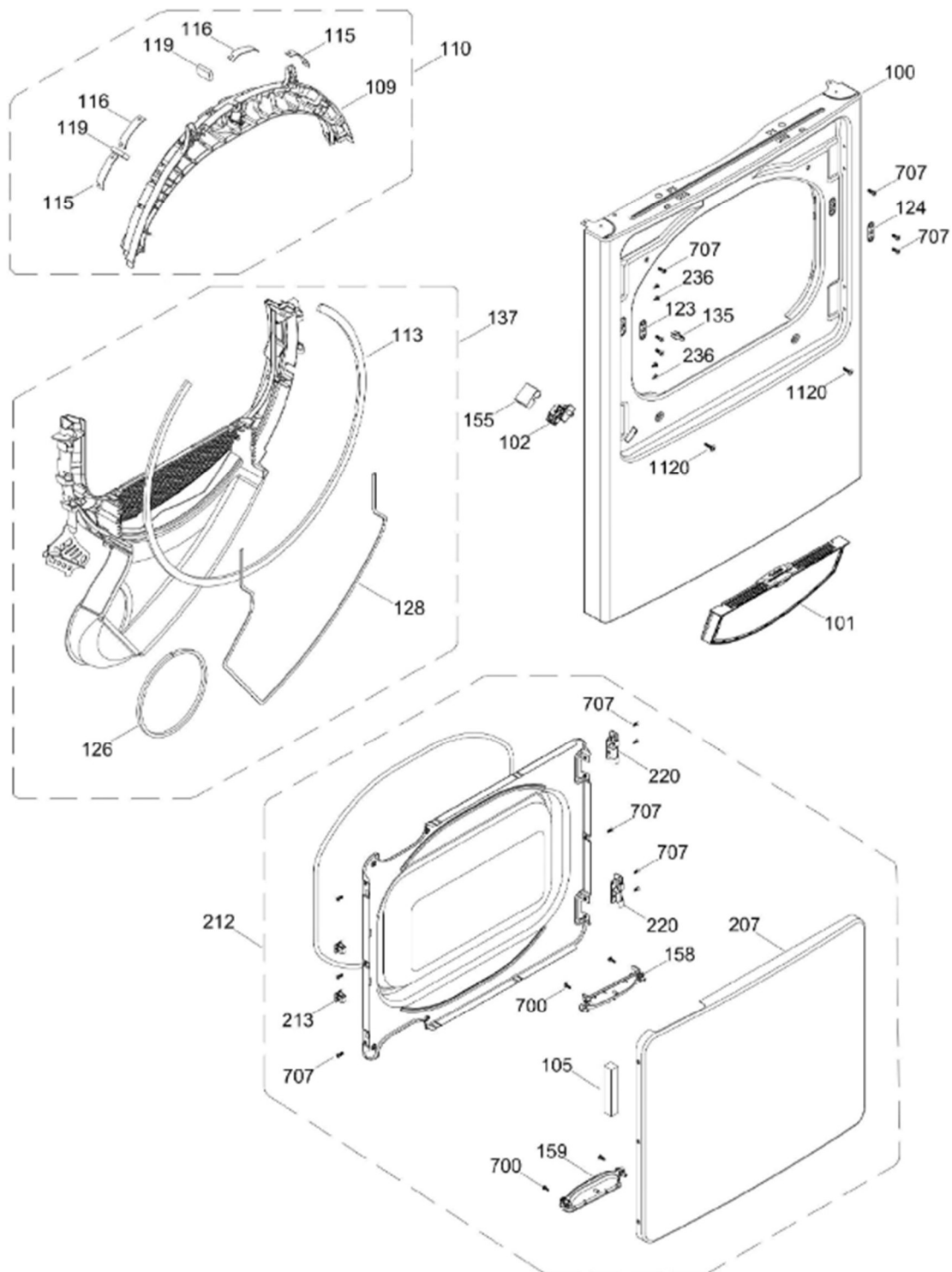


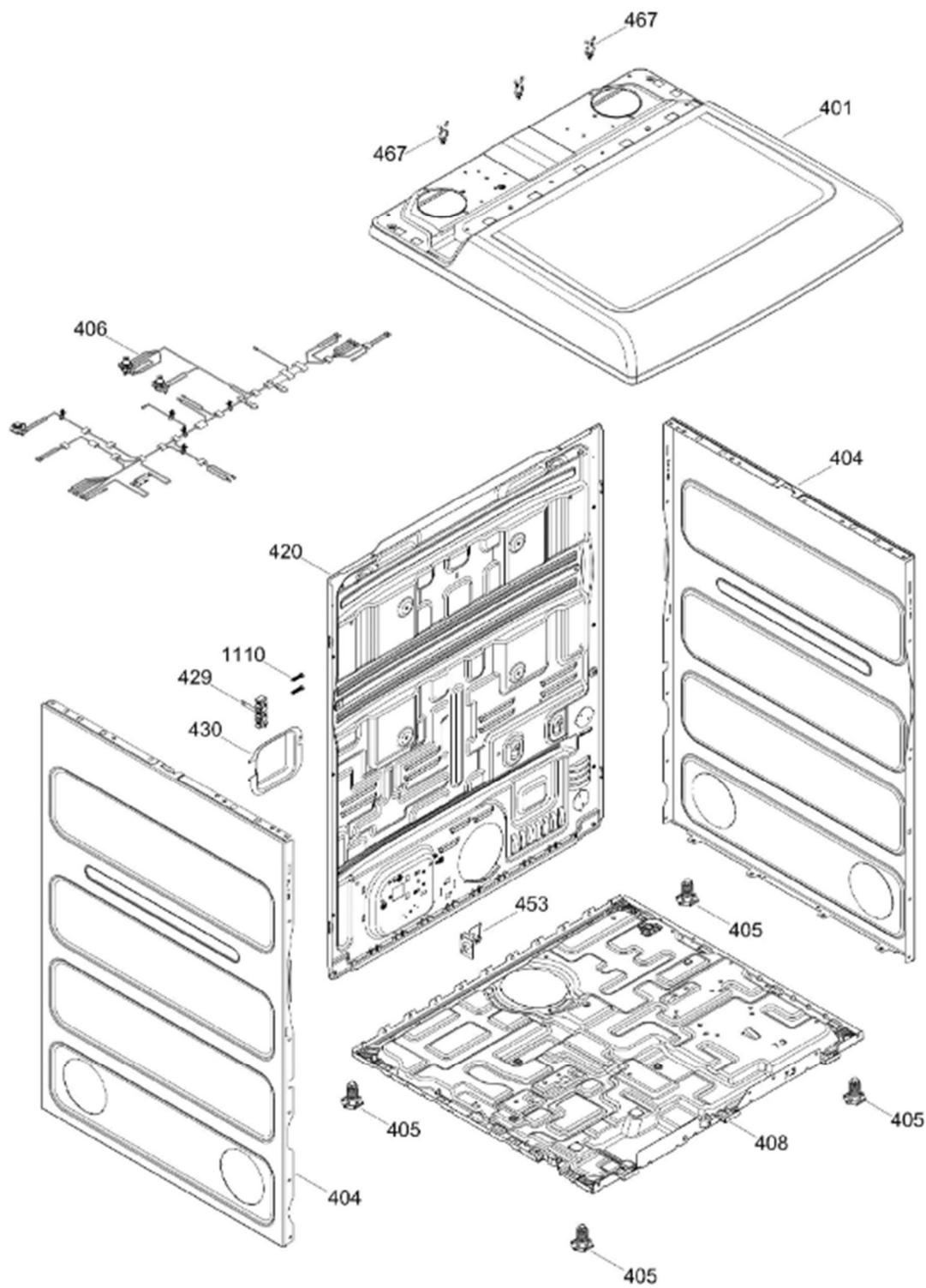
PANEL FRONTAL (ENS) / FRONT PANEL (ASM)  
 PUERTA (ENS) / DOOR (ASM)

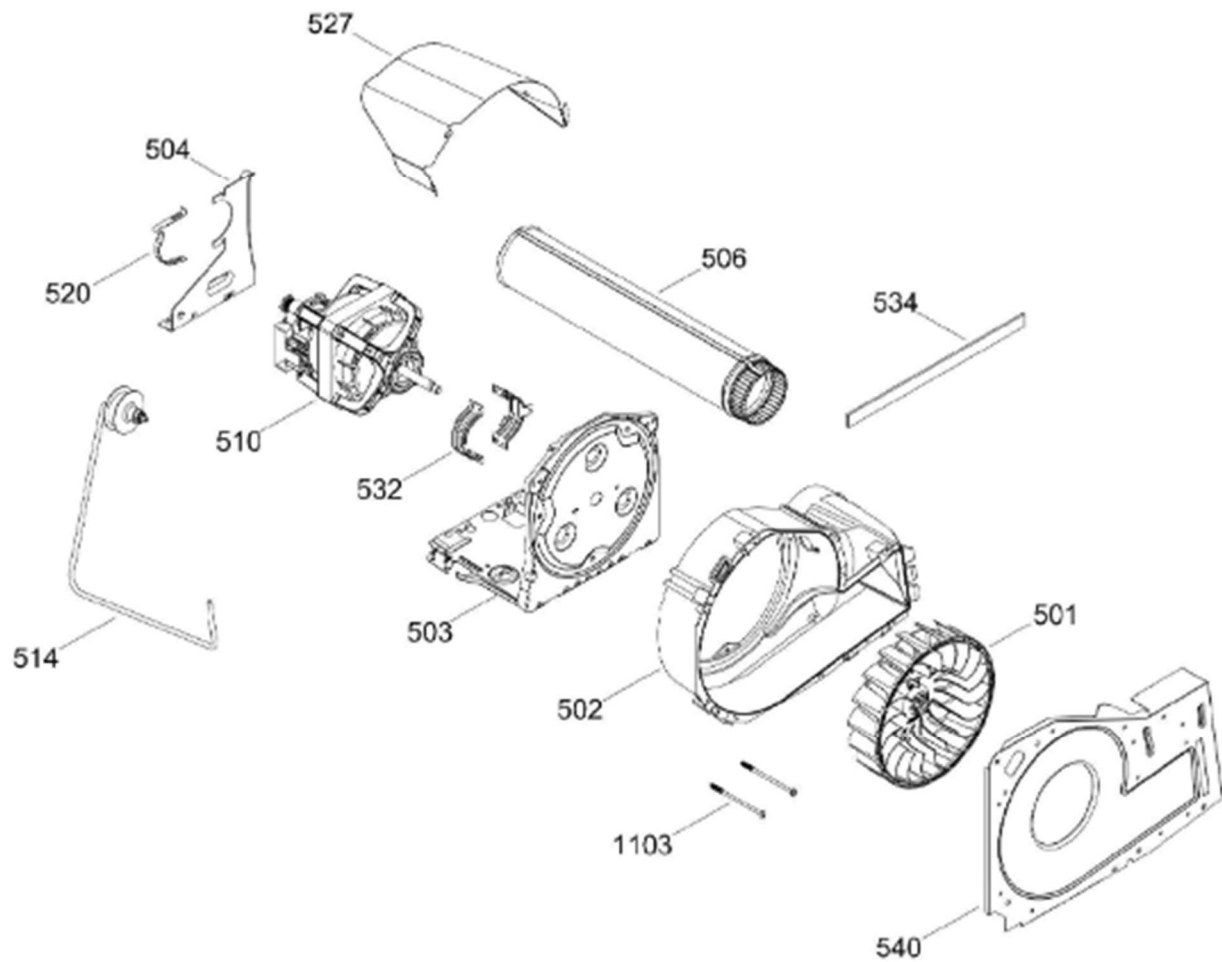
MKR62FWTWB10

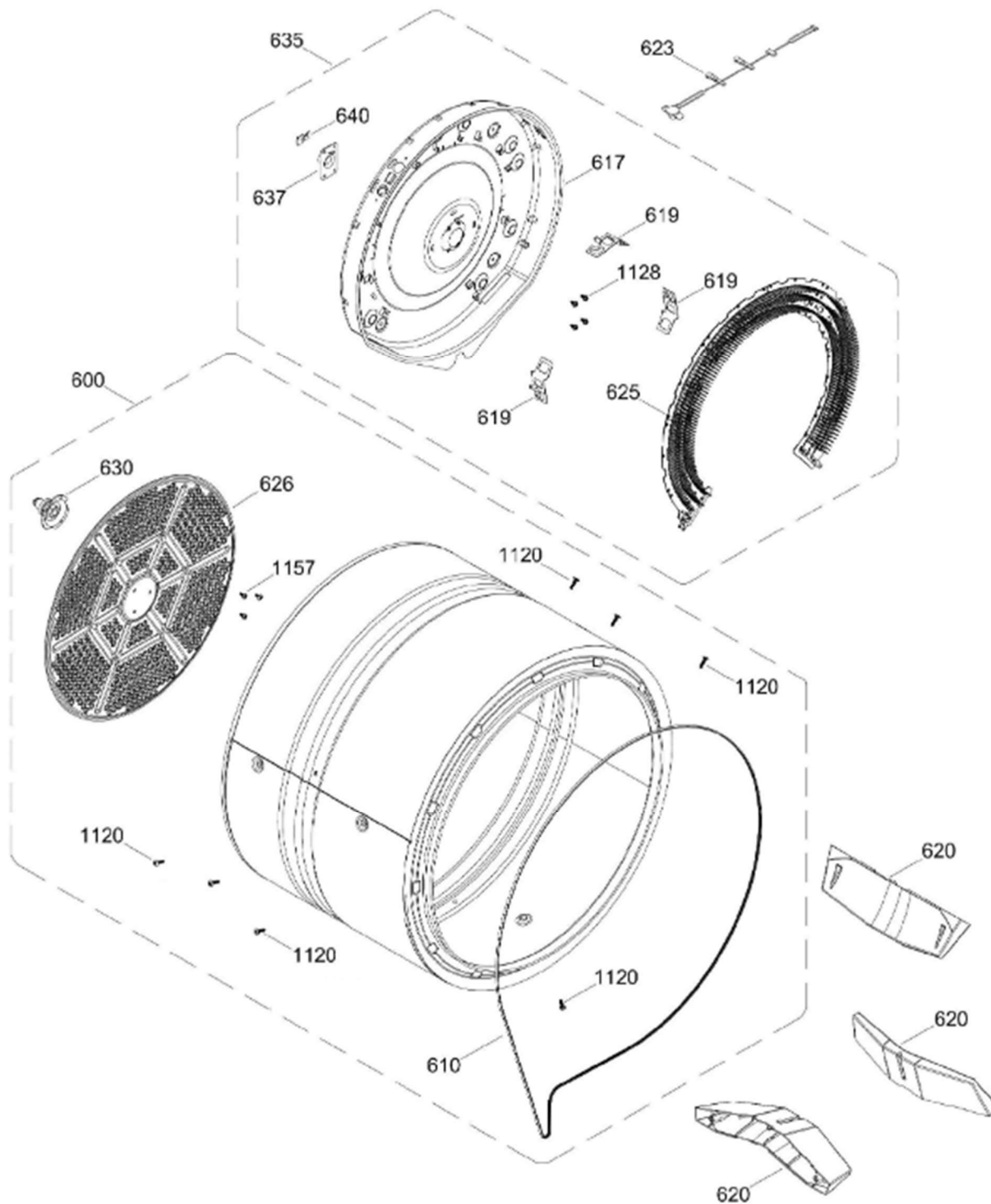


GABINETE / STRUCTURE

MKR62FWTWB10







Guía	Refacción	Descripción
1	WW01L01726	COPETE ENSAMBLE
7	WW02L00587	PERILLA
7	WW02L00734	PERILLA
8	WW01L01643	PERILLA ROTATORIA
10	WW02F00069	RELOJ
14	WW02F00659	SWITCH ROTATORIO
21	WW02F00089	RESISTENCIA ENS.
21	WW02A00302	RESISTENCIA ENS.
23	WW02L00024	INTERRUPTOR ARRANQUE
25	WW02L00493	ANCLA PLACA
32	WW02L00502	PANEL TRASERO
33	WW02F00574	BOTON INICIO ENSAMBLE
65	WW02F00655	CABLE ARNES
67	WW02F00650	ARNES ENS
68	WW02F00651	ARNES ENS
100	WW02L00560	PANEL FRONTAL
101	WW02F00534	FILTRO ATRAPAPELUSA ENSAMBLE
102	WW02L00465	INTERRUPTOR DE PUERTA
102	WW02F00809	INTERRUPTOR DE PUERTA
105	WW02L00526	ESPACIADOR PUERTA
109	WW02A00194	COJINETE SUPERIOR
110	WW02L00556	ENSAMBLE COJINETE SUPERIOR
113	WW02F00783	FELPA DUCTO RECOLECTOR
115	WW03A00015	COJINETE DESLIZABLE
116	WW03A00016	COJINETE DESLIZABLE
116	WW02A00250	COJINETE DESLIZABLE
119	WW02F00784	FELPA
123	WW02A00056	STRIKE PLATE
124	WW02A00057	STRIKE PLATE
126	WW02L00040	GASKET FOAM
128	WW02L00527	SELLO
135	WW03F00307	SEGURO
137	WW02F00654	ENSAMBLE DUCTO
155	WW02L00466	PROTECTOR INTERRUPTOR
158	WW02A00312	INSERTO JALADERA

Guía	Refacción	Descripción
159	WW02L00529	INSERTO JALADERA
207	WW02L00533	PUERTA EXTERIOR
212	WW02L00632	ENSAMBLE PUERTA SOLIDA
213	WW02F00622	LATCH
220	WW02L00534	BISAGRA ASM
236	WW02A00065	BOTON BELLEZA
401	WW02L00473	CUBIERTA SUPERIOR AP
404	WW02L00559	PANEL LATERAL BLANCO
404	WW02L00673	PANEL LATERAL BLANCO
405	WW02L00244	PATA NIVELADORA
406	WW02F00700	ARNES ELECTRICO
406	WW02F00867	ARNES ELECTRICO
406	WW02F01052	ENS ARNES ELECTRICO
408	WW01L01657	BASE CHASIS
420	WW02F00665	PANEL POSTERIOR
420	WW02F00665	PANEL POSTERIOR
429	WW02F00172	TERMINAL BLOCK
430	WW02L00211	CUBIERTA TERMINAL FUSIBLE
453	WW02A00128	SOPORTE ANTI TENSION
453	WW01A00535	SOPORTE ANTI TENSION
467	WW02F00704	HARDWARE COMPONENTS
501	WW02F00522	VENTILADOR 8.5"
501	WW02F00900	VENTILADOR 8.5"
502	WW02F00695	CUBIERTA VENTILADOR
503	WW02F00523	PLACA MOTOR
504	WW02F00027	SOPORTE MOTOR
506	WW02F00536	DUCTO DE ESCAPE
510	WW02F00733	MOTOR Y POLEA ENSAMBLE
514	WW03F00350	ENSAMBLE BRAZO TENSOR
520	WW02F00031	CLIP MOTOR
527	WW03L00112	CUBIERTA MOTOR
532	WW02F00003	CORREA MOTOR
532	WW02A00232	CORREA MOTOR
534	WW02F00785	EMPAQUE ESCAPE VENTILADOR
540	WW02L00537	PLATO VENTILADOR

Guía	Refacción	Descripción
600	WW02F00530	ENSAMBLE TAMBOR
610	WW03F00351	BANDA
610	WW02F00028	BANDA
610	WW02F00854	BANDA SECADORA
617	WW02L00021	CUBIERTA CALENTADOR
619	WW01A00442	SOPORTE DE PROTECCION
620	WW02L00421	ALETA
623	WW02F00742	ARNES TERMOSTATO
625	WW03F00180	CALENTADOR ENS
626	WW02F00827	DIFUSOR
630	WW02A00019	ENS. SOPORTE BUJE
635	WW03F00366	MICA HEAT & HOUSING AS
637	WW02A00005	RETENEDOR RODAMIENTO
640	WW02F00833	SOPORTE TIERRA ENS
700	WW02A00102	SCREW CHASSIS TO FRONT HSG.
707	WW01A00539	TORNILLO
738	WW02A00214	ARANDELA CABEZA REDONDA
1103	WW02A00032	TORNILLO
1110	WW02A00121	TORNILLO
1116	WW03A00004	ARANDELA DENTADA
1120	WW02A00031	TORNILLO
1121	WW01A00001	TORNILLO
1128	WW02A00211	TORNILLO ESTANDARIZANTE
1134	WW01F01797	LENGUETA DE ATERRIZAJE
1153	WW02A00200	TORNILLO
1157	WW01A00456	TORNILLO #10