

Distribuidor Autorizado

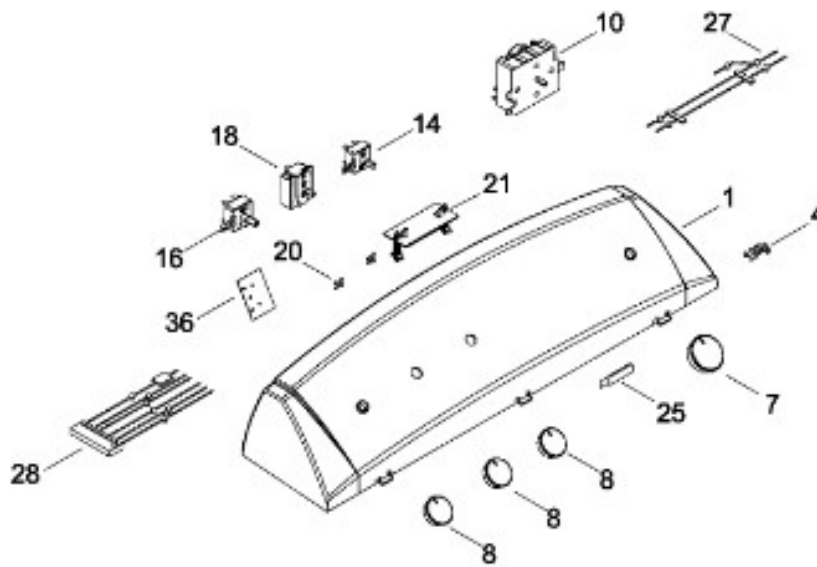
SurteRápido.com

Venta de Refacciones
Electrodomesticas

SECADORA MKRN13FWAWB10

SISTEMA CONTROLES / CONTROL SYSTEM

MKRN13GWAWB10



Distribuidor Autorizado

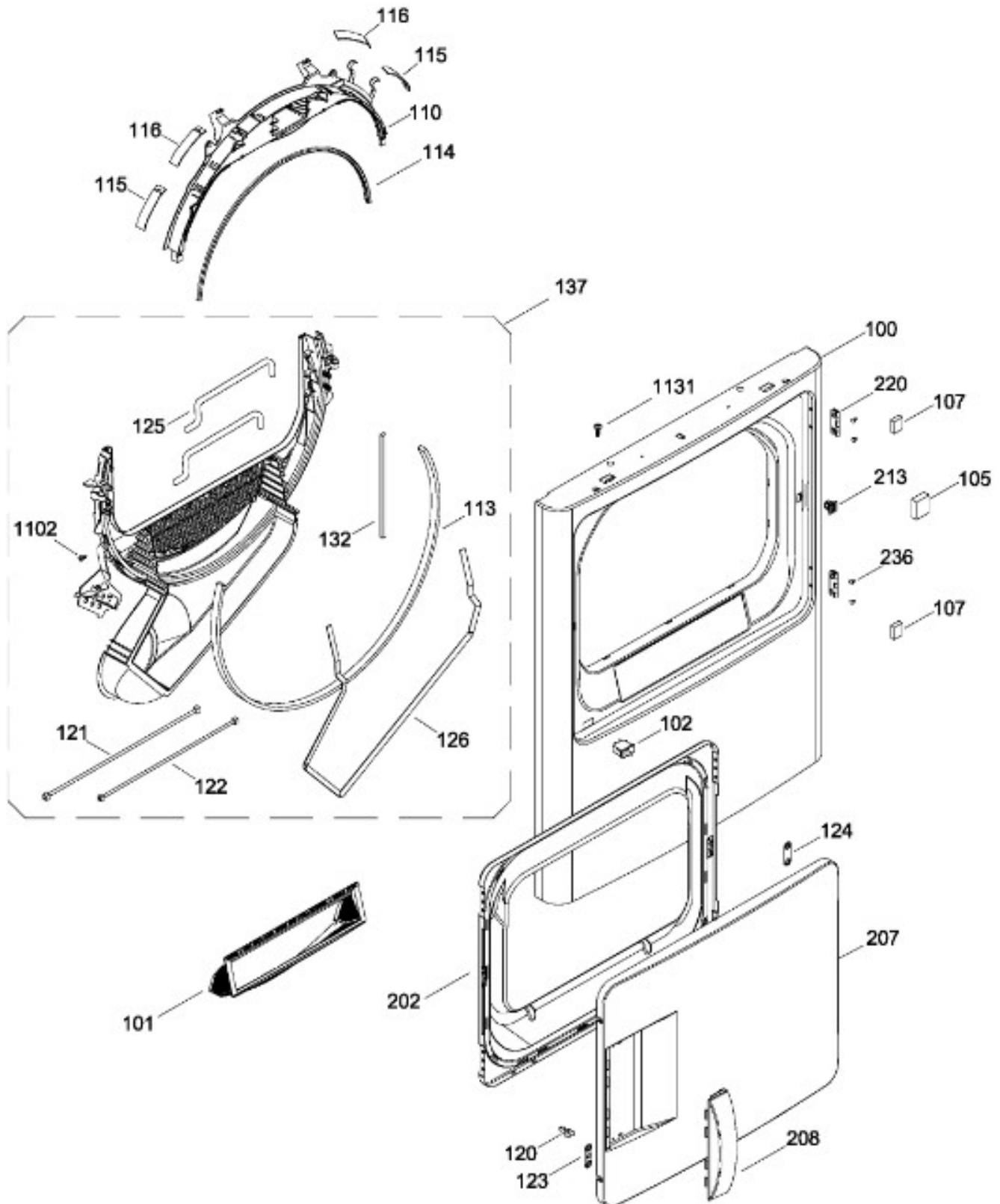
SurteRápido.com

Venta de Refacciones
Electrodomesticas

SECADORA MKRN13FWAWB10

PUERTA (ENS) / DOOR (ASM)

MKRN13GWAWB10



Distribuidor Autorizado

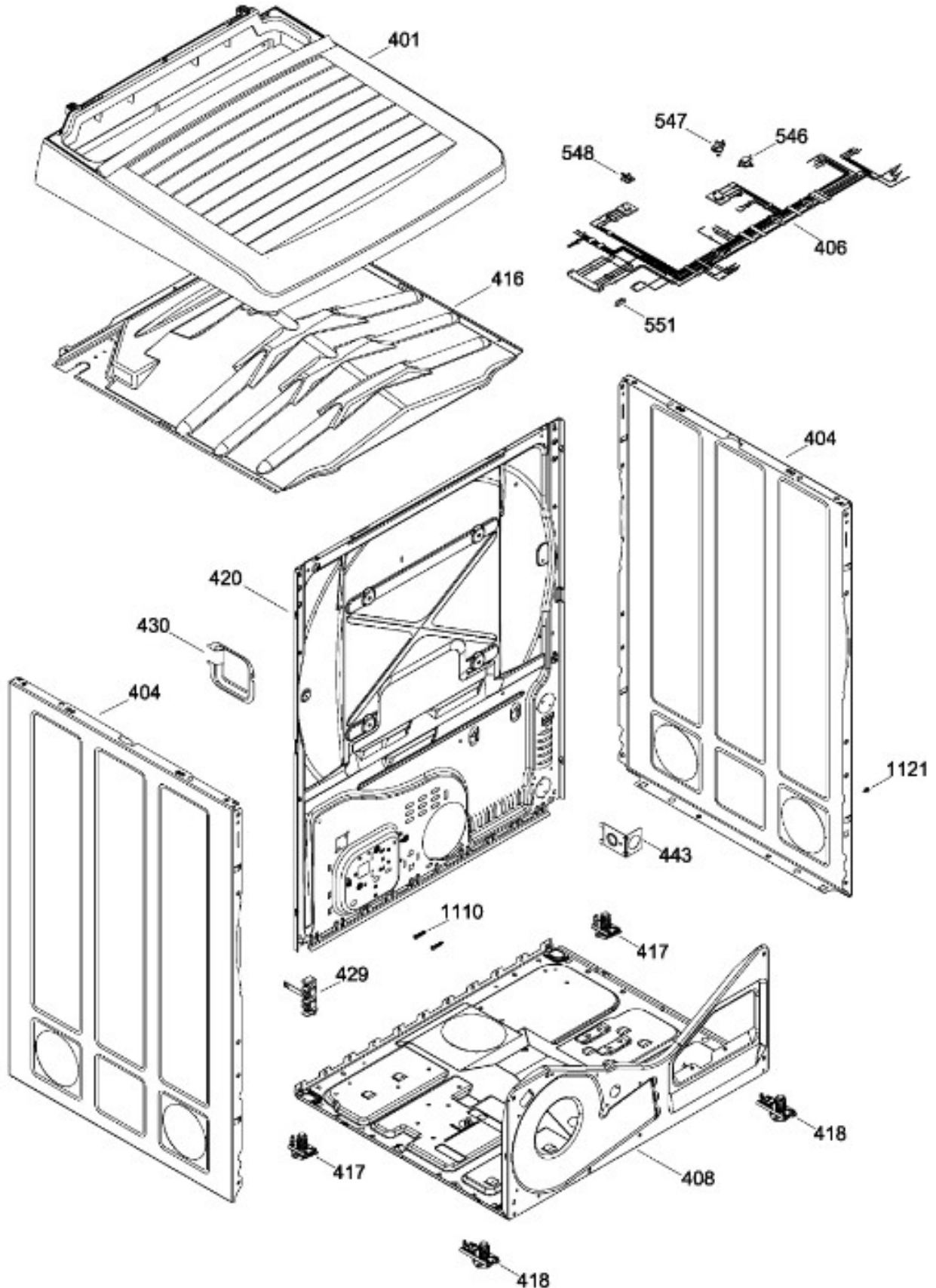
SurteRápido.com

Venta de Refacciones
Electrodomesticas

SECADORA MKRN13FWAWB10

GABINETE / STRUCTURE

MKRN13GWAWB10



Distribuidor Autorizado

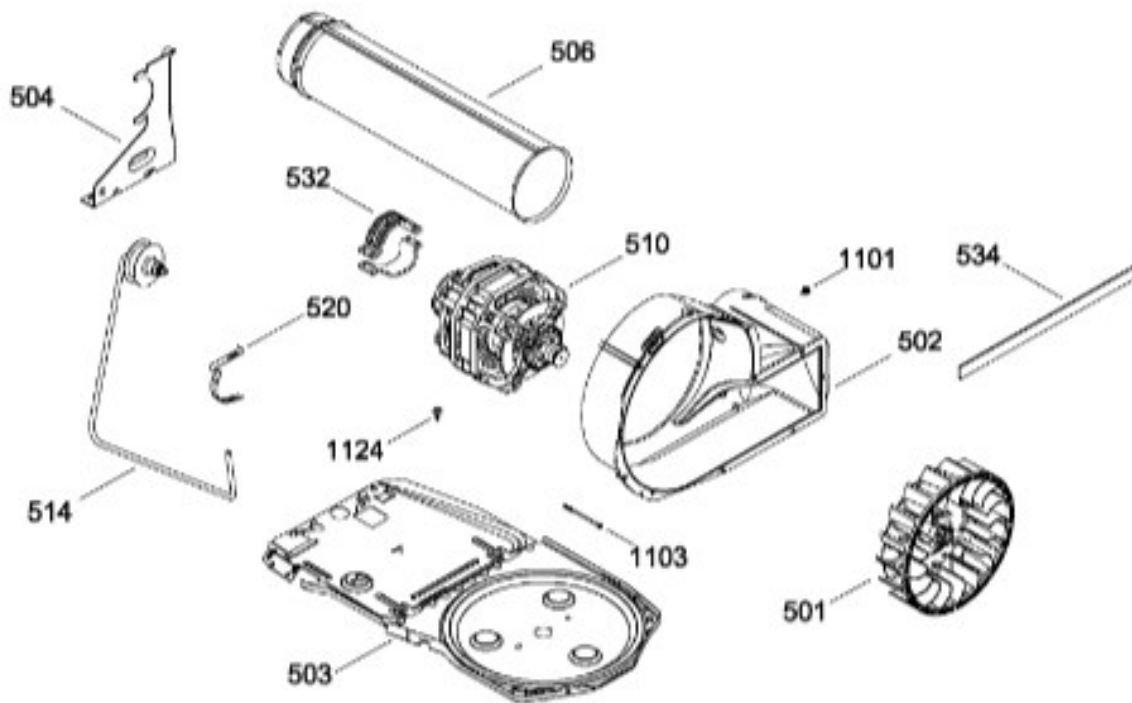
SurteRápido.com

Venta de Refacciones
Electrodomesticas

SECADORA MKRN13FWAWB10

SISTEMA DE TRANSMISION / BLOWER & DRIVE ASSEMBLY

MKRN13GWAWB10



Distribuidor Autorizado

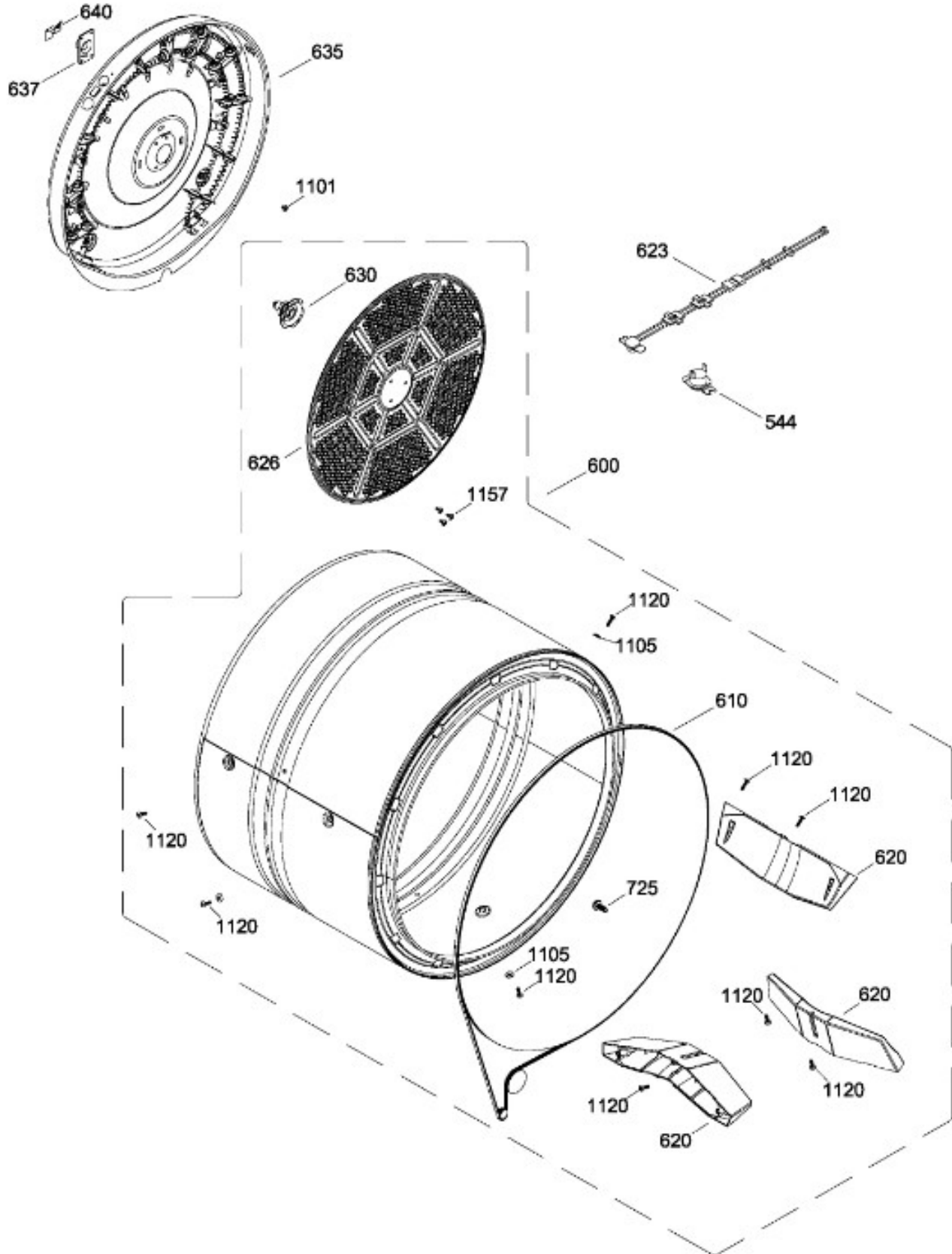
SurteRápido.com

Venta de Refacciones Electrodomesticas

SECADORA MKRN13FWAWB10

TAMBOR / DRUM

MKRN13GWAWB10



Distribuidor Autorizado

SurteRápido.com

Venta de Refacciones
Electrodomesticas

SECADORA MKRN13FWAWB10

| Guía | Refacción | Descripción |
|------|------------|----------------------------|
| 1 | WW03L00091 | COPETE Y GRAFICOS ENS(BCO) |
| 4 | WW03A00078 | LOGO MICROMETAL 13KG |
| 7 | WW02L00117 | ENS. PERILLA CONTROL |
| 8 | WW02L00113 | PERILLA ROTATORIA |
| 10 | WW02F00069 | RELOJ |
| 14 | WW02L00081 | INTERRUPTOR ROTATORIO |
| 16 | WW02L00083 | INTERRUPTOR DE INICIO |
| 18 | WW02L00086 | INTERRUPTOR ROTATORIO |
| 20 | WW02L00137 | BUJE PARA PEILLA |
| 21 | WW02F00090 | RESISTENCIA ENS. |
| 25 | WW03A00089 | ANCLA PLACA |
| 27 | WW02F00218 | ARNES PANEL CONTROL |
| 28 | WW02F00219 | ARNES PCB |
| 36 | WW02F00092 | TARJETA PC |
| 100 | WW02L00049 | PANEL FRONTAL |
| 101 | WW02F00190 | FILTRO ATRAPAPELUSA |
| 101 | WW02F00615 | FILTRO ATRAPAPELUSA |
| 102 | WW02L00025 | INTERRUPTOR PUERTA |
| 105 | WW02L00210 | SEPARADOR PUERTA |
| 107 | WW03L00062 | ESPACIADOR PUERTA |
| 110 | WW02L00199 | COJINETE SUP. |
| 110 | WW01L01430 | COJINETE SUP. |
| 113 | WW02L00138 | FELPA DUCTO RECOLECTOR |
| 114 | WW02L00145 | SELLO PUERTA |
| 115 | WW02A00033 | BEARING_SLIDE |
| 116 | WW02L00038 | BEARING_SLIDE |
| 120 | WW02A00004 | STRIKE |
| 121 | WW02A00051 | ARNES |
| 122 | WW02A00052 | ARNES |
| 123 | WW02A00056 | STRIKE PLATE |
| 124 | WW02A00057 | STRIKE PLATE |
| 125 | WW02F00088 | SENSOR ROD |
| 126 | WW02L00040 | GASKET FOAM |
| 132 | WW02L00039 | SELLO |
| 132 | WW03F00354 | SELLO |

Distribuidor Autorizado

SurteRápido.com

Venta de Refacciones
Electrodomesticas

SECADORA MKRN13FWAWB10

| Guía | Refacción | Descripción |
|------|------------|-------------------------------|
| 137 | WW02F00128 | DUCTO TRAMPA ENS CON SENSORES |
| 137 | WW02F00599 | DUCTO TRAMPA ENS CON SENSORES |
| 202 | WW02L00053 | INNER DOOR |
| 207 | WW02L00051 | DOOR OUTER |
| 208 | WW02L00016 | JALADERA PUERTA |
| 208 | WW03L00411 | JALADERA PUERTA |
| 213 | WW02L00037 | LATCH ASM. |
| 220 | WW02L00029 | BISAGRA |
| 220 | WW02L00028 | BISAGRA |
| 236 | WW02A00065 | BOTON BELLEZA |
| 401 | WW03L00094 | CUBIERTA |
| 404 | WW02L00149 | PANEL LATERAL |
| 406 | WW02F00220 | ARNES ENSAMBLE ELECT |
| 408 | WW02F00076 | BASTIDOR |
| 416 | WW02A00045 | DEFLECTOR |
| 417 | WW02A00059 | ENS. SOPORTE POST. |
| 418 | WW02L00108 | ENS. SOPORTE FRONT. |
| 420 | WW01L01170 | PANEL POSTERIOR |
| 420 | WW03L00383 | PANEL POSTERIOR |
| 429 | WW02F00172 | TERMINAL BLOCK |
| 430 | WW02L00211 | CUBIERTA TERMINAL FUSIBLE |
| 443 | WW02A00119 | SOPORTE ANTI TENSION |
| 501 | WW01F01162 | VENTILADOR REDONDO |
| 501 | WW02A00011 | VENTILADOR REDONDO |
| 502 | WW02A00012 | CARCAZA ASPAS |
| 502 | WW02L00013 | CARCAZA ASPAS |
| 502 | WW02L00433 | CAJA DEL VENTILADOR |
| 503 | WW01L01163 | BASE MOTOR |
| 503 | WW01L01163 | BASE MOTOR |
| 503 | WW02L00642 | BASE MOTOR |
| 504 | WW02F00027 | SOPORTE MOTOR |
| 506 | WW02L00148 | CONDUCTO DE ESCAPE |
| 506 | WW02L00148 | CONDUCTO DE ESCAPE |
| 510 | WW01F00903 | MOTOR Y POLEA ENS |
| 514 | WW02A00008 | ENS. BRAZO AUXILIAR |

Distribuidor Autorizado

SurteRápido.com

Venta de Refacciones
Electrodomesticas

SECADORA MKRN13FWAWB10

| Guía | Refacción | Descripción |
|------|------------|-------------------------|
| 514 | WW03F00350 | ENS. BRAZO AUXILIAR |
| 520 | WW02F00031 | CLIP MOTOR |
| 532 | WW02F00003 | CORREA MOTOR |
| 532 | WW02A00232 | CORREA MOTOR |
| 534 | WW02A00026 | EMPAQUE ESCAPE SOPLADOR |
| 534 | WW02F00785 | EMPAQUE ESCAPE SOPLADOR |
| 544 | WW02F00251 | TERMOSTATO |
| 546 | WW02F00252 | TERMOSTATO |
| 547 | WW02F00253 | TERMOSTATO |
| 548 | WW02F00254 | TERMOSTATO |
| 551 | WW02F00249 | SWITCH |
| 600 | WW02F00056 | ENS. TAMBOR |
| 610 | WW02F00028 | BANDA SECADORA |
| 610 | WW02F00854 | BANDA SECADORA |
| 620 | WW02L00143 | BAFFLE |
| 623 | WW02F00050 | ARNES |
| 626 | WW02F00827 | DIFUSOR |
| 630 | WW02A00019 | ENS. SOPORTE BUJE |
| 635 | WW02A00050 | ENS. CALENTADOR |
| 635 | WW02A00050 | ENS. CALENTADOR |
| 637 | WW02A00005 | RETENEDOR RODAMIENTO |
| 640 | WW02F00833 | SOPORTE TIERRA ENS |
| 725 | WW02A00069 | SCREW |
| 1101 | WW02A00030 | TORNILLO |
| 1101 | WW02A00211 | TORNILLO |
| 1102 | WW02A00029 | TORNILLO |
| 1102 | WW02A00211 | TORNILLO |
| 1103 | WW02A00032 | TORNILLO |
| 1105 | WW02A00002 | ARANDELA |
| 1110 | WW02A00121 | TORNILLO |
| 1120 | WW02A00031 | TORNILLO |
| 1121 | WW01A00001 | TORNILLO |
| 1124 | WW02A00070 | TORNILLO |
| 1131 | WW02A00028 | TORNILLO |
| 1157 | WW01A00456 | TORNILLO #10 |