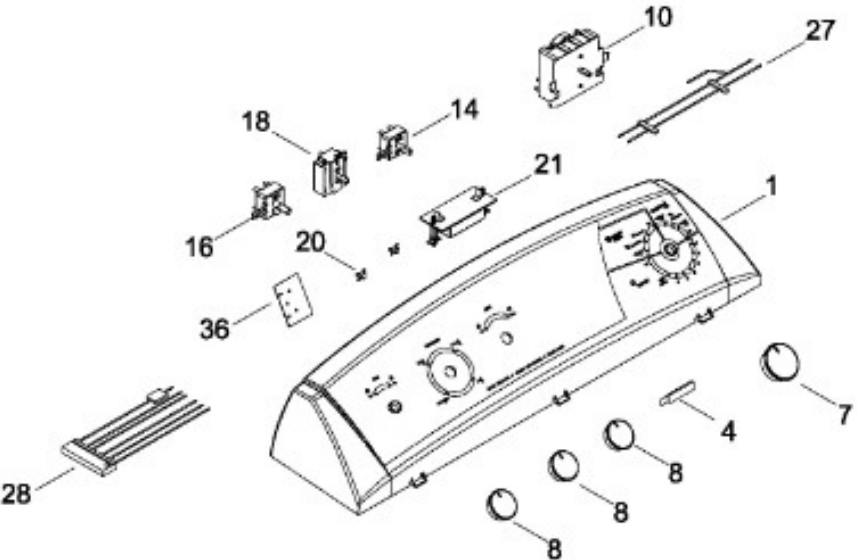




SECADORA MKRN13GWAWB20

SISTEMA CONTROLES / CONTROL SYSTEM

MKRN13GWAWB20



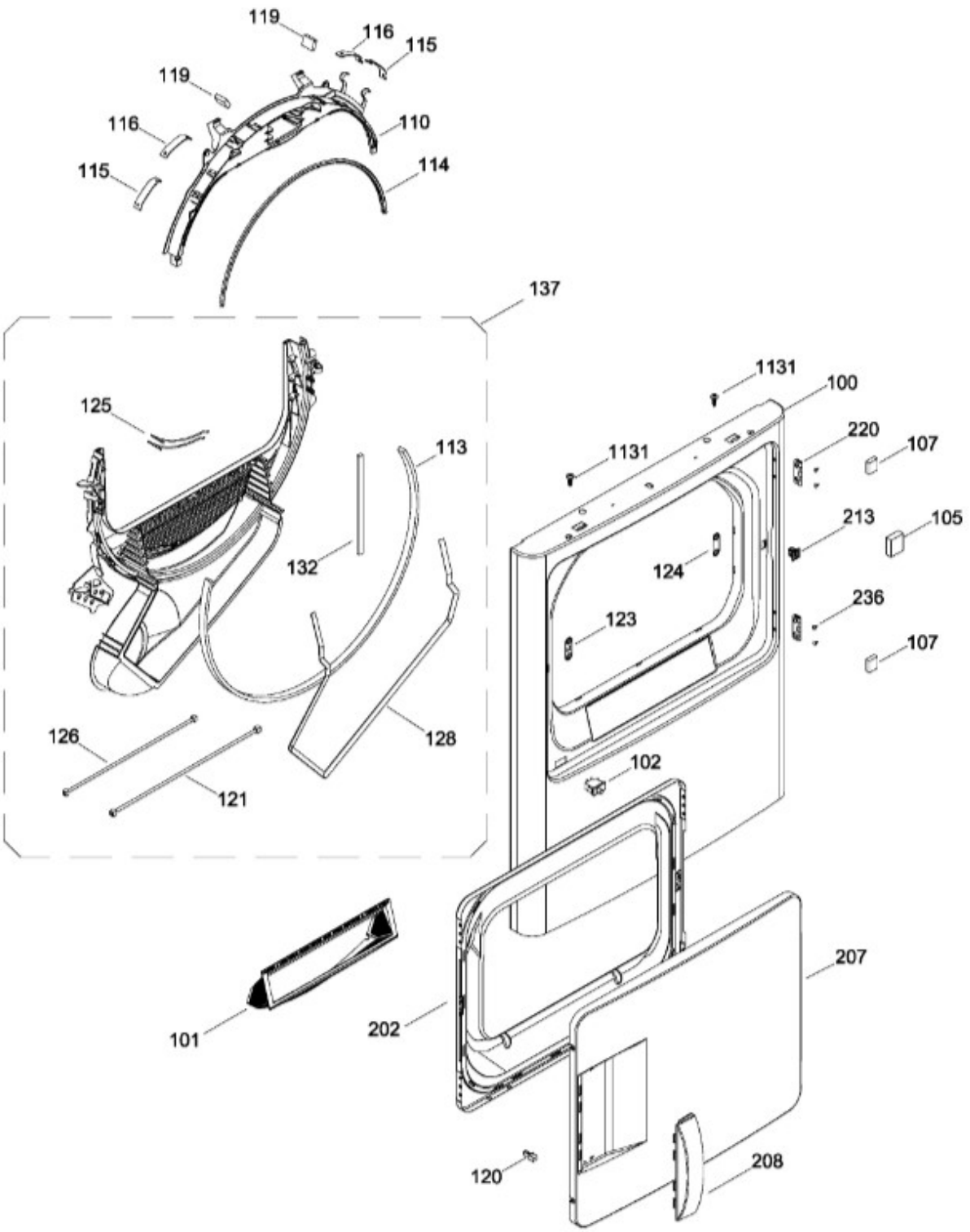
BENITO JUÁREZ #1500 GPE ZITON, CD. GUADALUPE NUEVO LEÓN TEL: 8183377999 Y 49
HORARIOS: LUNES A VIERNES 8:30 A 6:00 PM Y SÁBADOS DE 8:30 A 2:00 PM
WEB: www.denek.com



SECADORA MKRN13GWAWB20

PUERTA (ENS) / DOOR (ASM)

MKRN13GWAWB20



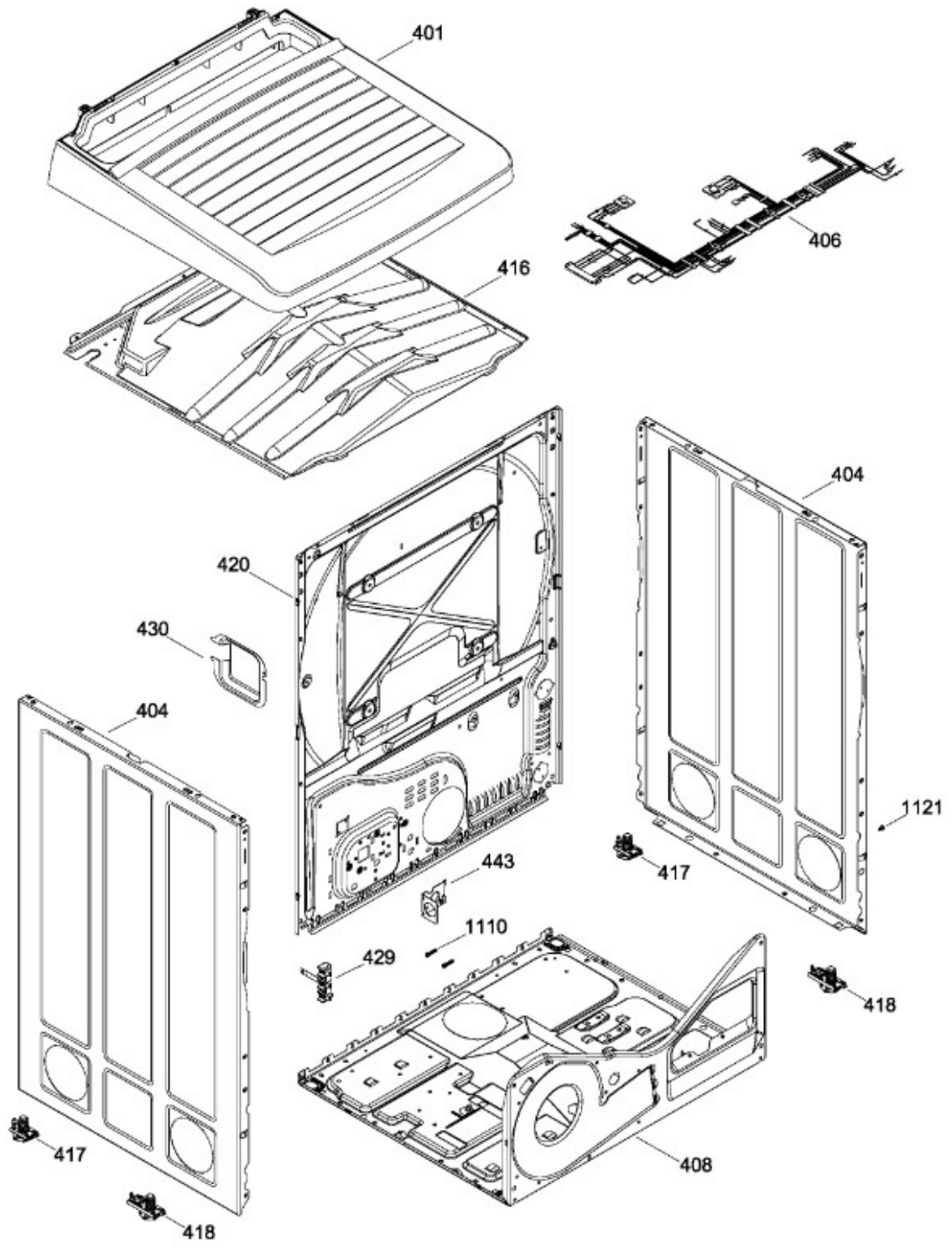
BENITO JUÁREZ #1500 GPE ZITON, CD. GUADALUPE NUEVO LEÓN TEL: 8183377999 Y 49
 HORARIOS: LUNES A VIERNES 8:30 A 6:00 PM Y SÁBADOS DE 8:30 A 2:00 PM
 WEB: www.denek.com



SECADORA MKRN13GWAWB20

GABINETE / STRUCTURE

MKRN13GWAWB20



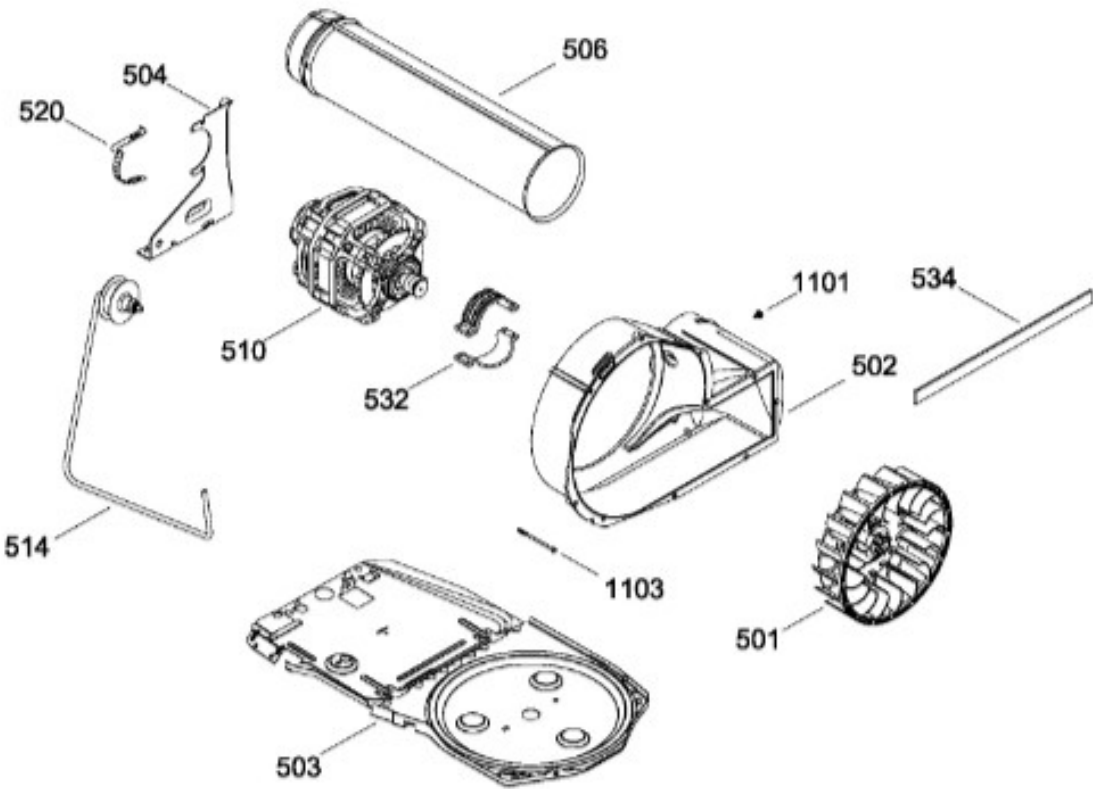
BENITO JUÁREZ #1500 GPE ZITON, CD. GUADALUPE NUEVO LEÓN TEL: 8183377999 Y 49
HORARIOS: LUNES A VIERNES 8:30 A 6:00 PM Y SÁBADOS DE 8:30 A 2:00 PM
WEB: www.denek.com



SECADORA MKRN13GAWB20

SISTEMA DE TRANSMISION / BLOWER & DRIVE ASSEMBLY

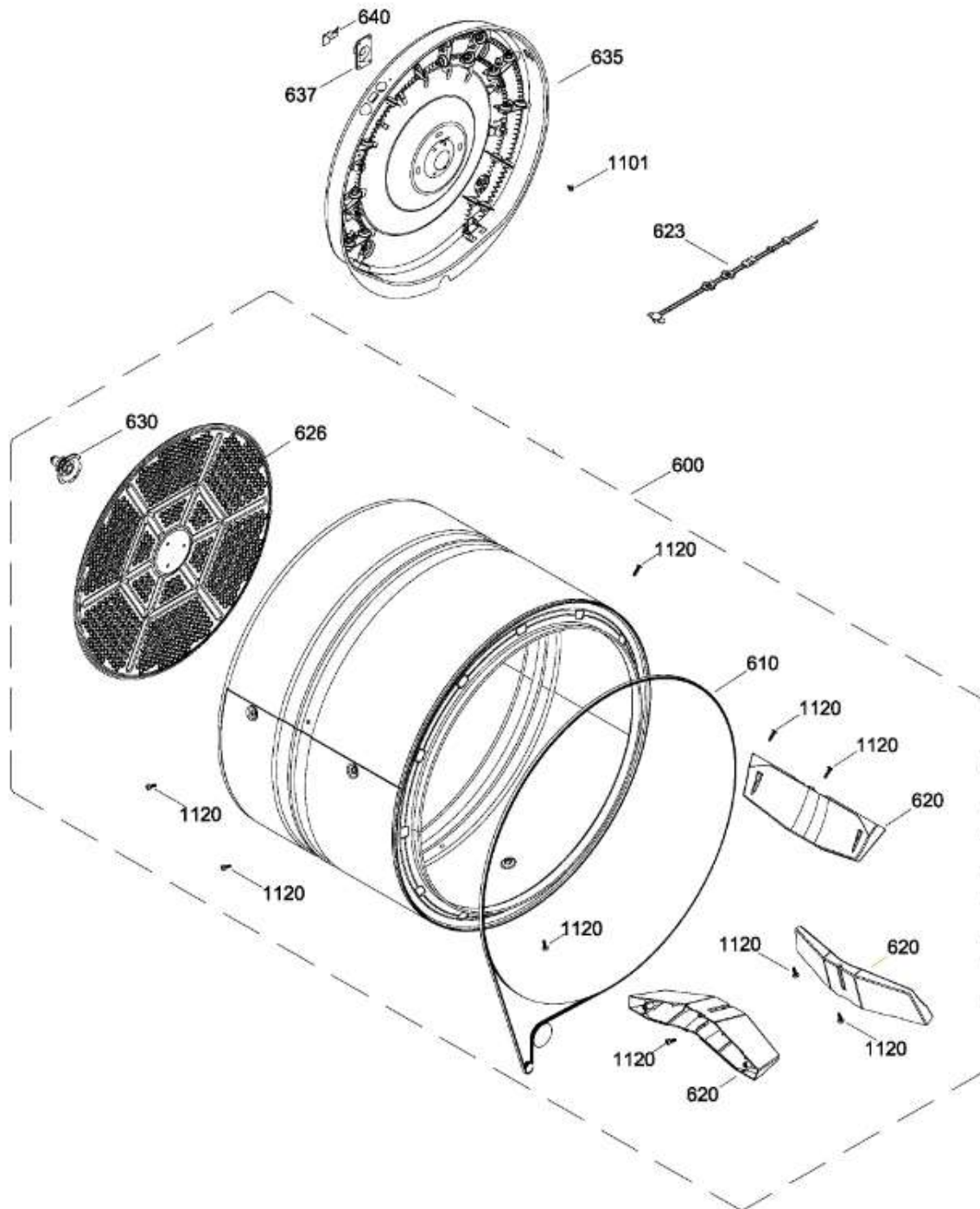
MKRN13GAWB20



BENITO JUÁREZ #1500 GPE ZITON, CD. GUADALUPE NUEVO LEÓN TEL: 8183377999 Y 49
HORARIOS: LUNES A VIERNES 8:30 A 6:00 PM Y SÁBADOS DE 8:30 A 2:00 PM
WEB: www.denek.com

TAMBOR / DRUM

MKRN13GWAWB20



Guía	Refacción	Descripción
1	WW03L00091	COPETE Y GRAFICOS ENS(BCO)
4	WW03A00089	ANCLA PLACA
7	WW02L00117	ENS. PERILLA CONTROL
8	WW02L00113	PERILLA ROTATORIA
10	WW01F01140	TIMER
14	WW02L00081	INTERRUPTOR ROTATORIO
16	WW02L00083	INTERRUPTOR DE INICIO
18	WW02L00086	INTERRUPTOR ROTATORIO
20	WW02L00137	BUJE PARA PEILLA
21	WW02F00090	RESISTENCIA ENS.
27	WW02F00218	ARNES PANEL CONTROL
28	WW02F00219	ARNES PCB
36	WW02F00092	TARJETA PC
100	WW02L00049	PANEL FRONTAL (BCO)
101	WW02F00190	FILTRO ATRAPAPELUSA
101	WW02F00615	FILTRO ATRAPAPELUSA
102	WW02L00025	INTERRUPTOR PUERTA
105	WW02L00210	SEPARADOR PUERTA
107	WW03L00062	ESPACIADOR PUERTA
110	WW02A00158	COJINETE SUPERIOR ENS
110	WW02L00517	COJINETE SUPERIOR ENS
113	WW01L01329	FELPA COLECTOR DE AIRE
113	WW02F00783	FELPA COLECTOR DE AIRE
114	WW02L00145	SELLO PUERTA
115	WW03A00015	COJINETE DESLIZABLE
116	WW03A00016	COJINETE DESLIZABLE
116	WW02A00250	COJINETE DESLIZABLE
119	WW02F00131	FIELTRO
119	WW02F00784	FIELTRO
120	WW02A00004	STRIKE
121	WW02A00051	ARNES
123	WW02A00056	STRIKE PLATE
124	WW02A00057	STRIKE PLATE
125	WW02F00088	SENSOR ROD
126	WW02A00052	ARNES

Guía	Refacción	Descripción
128	WW02L00040	GASKET FOAM
132	WW02L00039	SELLO
132	WW03F00354	SELLO
137	WW02F00128	DUCTO TRAMPA ENS CON SENSORES
137	WW02F00599	DUCTO TRAMPA ENS CON SENSORES
202	WW02L00053	PUERTA INTERIOR(BLANCA)
207	WW02L00051	PUERTA EXTERIOR
207	WW02L00051	PUERTA EXTERIOR
208	WW02L00016	JALADERA PUERTA(BCO)
213	WW02L00037	LATCH ASM.
220	WW02L00029	BISAGRA
220	WW02L00028	BISAGRA
236	WW02A00065	BOTON BELLEZA
401	WW03L00094	CUBIERTA
404	WW02L00149	PANEL LATERAL
404	WW02L00149	PANEL LATERAL
406	WW02F00220	ARNES ENSAMBLE ELECT
408	WW02F00076	BASTIDOR BASE
416	WW02A00045	DELFECTOR DE CALOR
416	WW02A00045	DELFECTOR DE CALOR
417	WW02A00059	ENS. SOPORTE POST.
418	WW02L00108	ENS. SOPORTE FRONT.
420	WW01L01170	REAR PANEL 6FT MAQUILA
429	WW02F00172	TERMINAL BLOCK
430	WW02L00211	CUBIERTA TERMINAL FUSIBLE
443	WW02A00128	SOPORTE ANTI TENSION
443	WW01A00535	SOPORTE ANTI TENSION
501	WW01F01162	VENTILADOR REDONDO
502	WW02A00012	CARCAZA ASPAS
502	WW02L00013	CARCAZA ASPAS
502	WW02L00433	CAJA DEL VENTILADOR
503	WW01L01163	BASE MOTOR
503	WW01L01163	BASE MOTOR
503	WW01L01163	BASE MOTOR
503	WW02L00642	BASE MOTOR

Guía	Refacción	Descripción
504	WW02F00027	SOPORTE MOTOR
506	WW01F01581	DUCTODEESCAPE
506	WW02L00148	DUCTODEESCAPE
506	WW02L00148	CONDUCTO DE ESCAPE
510	WW01F01138	ENSAMBLE POLEA Y MOTOR
514	WW02A00008	ENS. BRAZO AUXILIAR
514	WW03F00350	ENS. BRAZO AUXILIAR
520	WW02F00031	CLIP MOTOR
532	WW02F00003	CORREA MOTOR
532	WW02A00232	CORREA MOTOR
534	WW02A00026	EMPAQUE ESCAPE SOPLADOR
534	WW02F00785	EMPAQUE ESCAPE SOPLADOR
600	WW02F00056	ENS. TAMBOR
610	WW02F00028	BANDA SECADORA
610	WW02F00854	BANDA SECADORA
620	WW02L00143	BAFFLE
623	WW01F01580	ARNES TERMOSTATO
626	WW02F00221	DIFUSOR
626	WW02F00827	DIFUSOR
630	WW02A00019	SOPORTEYFLECHAENSAMBLE
635	WW02A00050	CALENTADOR ENSAMBLE
635	WW02A00050	CALENTADOR ENSAMBLE
635	WW02A00050	ENS. CALENTADOR
637	WW02A00005	RETENEDOR RODAMIENTO
640	WW01A00443	GROUND STRAP ASSEMBLY
640	WW02F00833	GROUND STRAP ASSEMBLY
1101	WW02A00030	TORNILLO
1101	WW02A00211	TORNILLO
1103	WW02A00032	TORNILLO
1110	WW02A00121	TORNILLO
1120	WW02A00031	TORNILLO
1121	WW01A00001	TORNILLO
1131	WW02A00028	TORNILLO