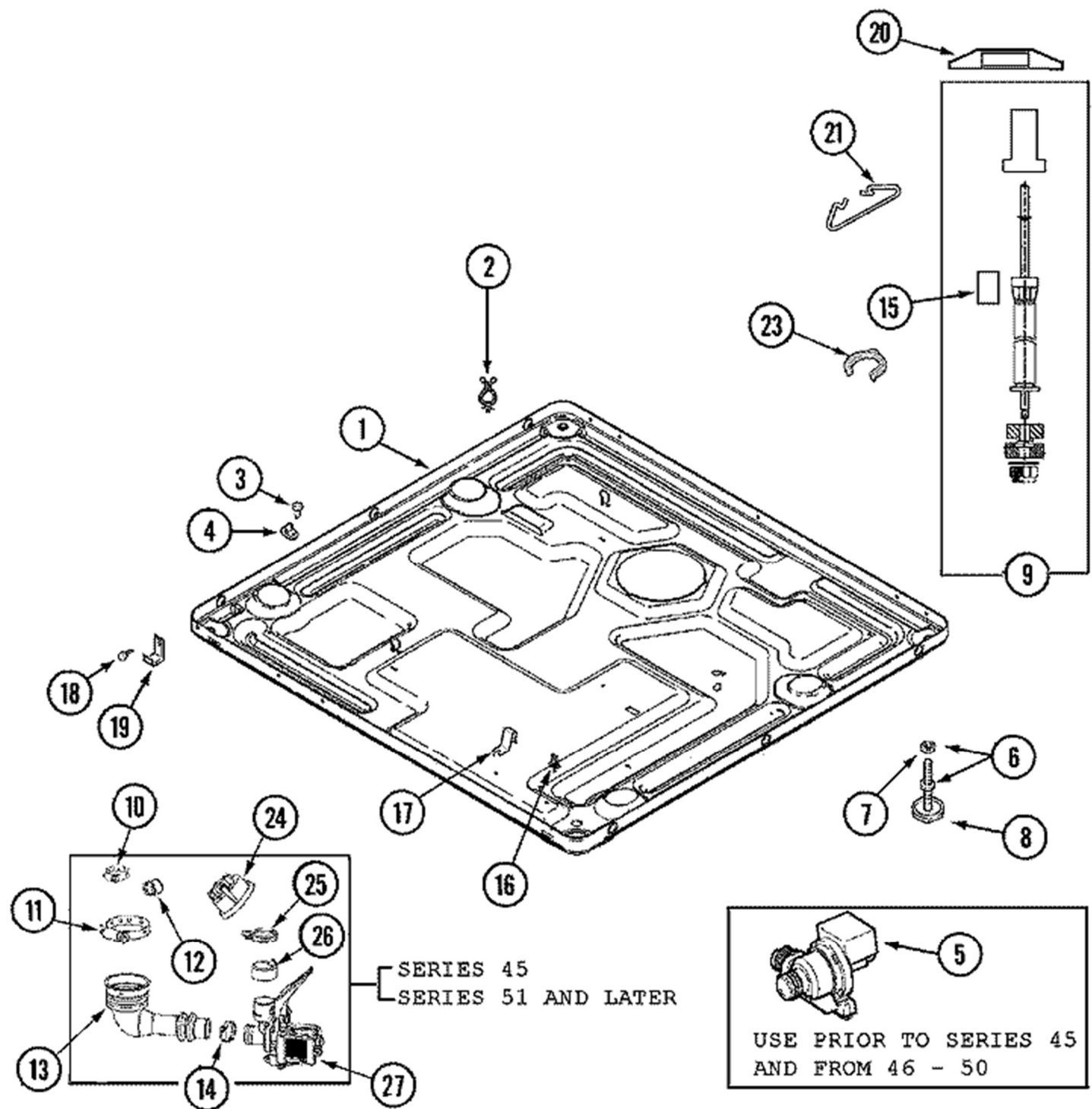
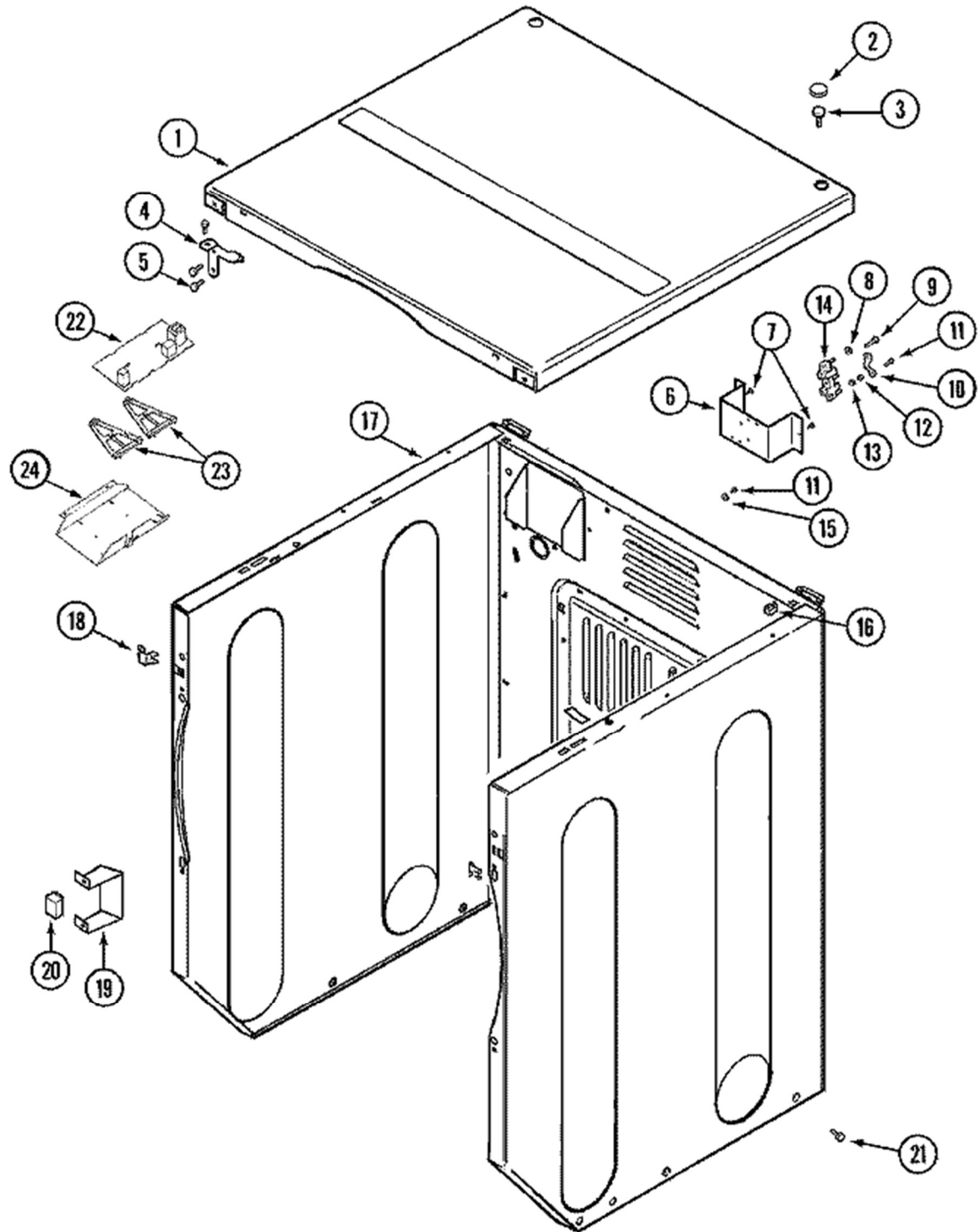




C.L. MLE2000AYW



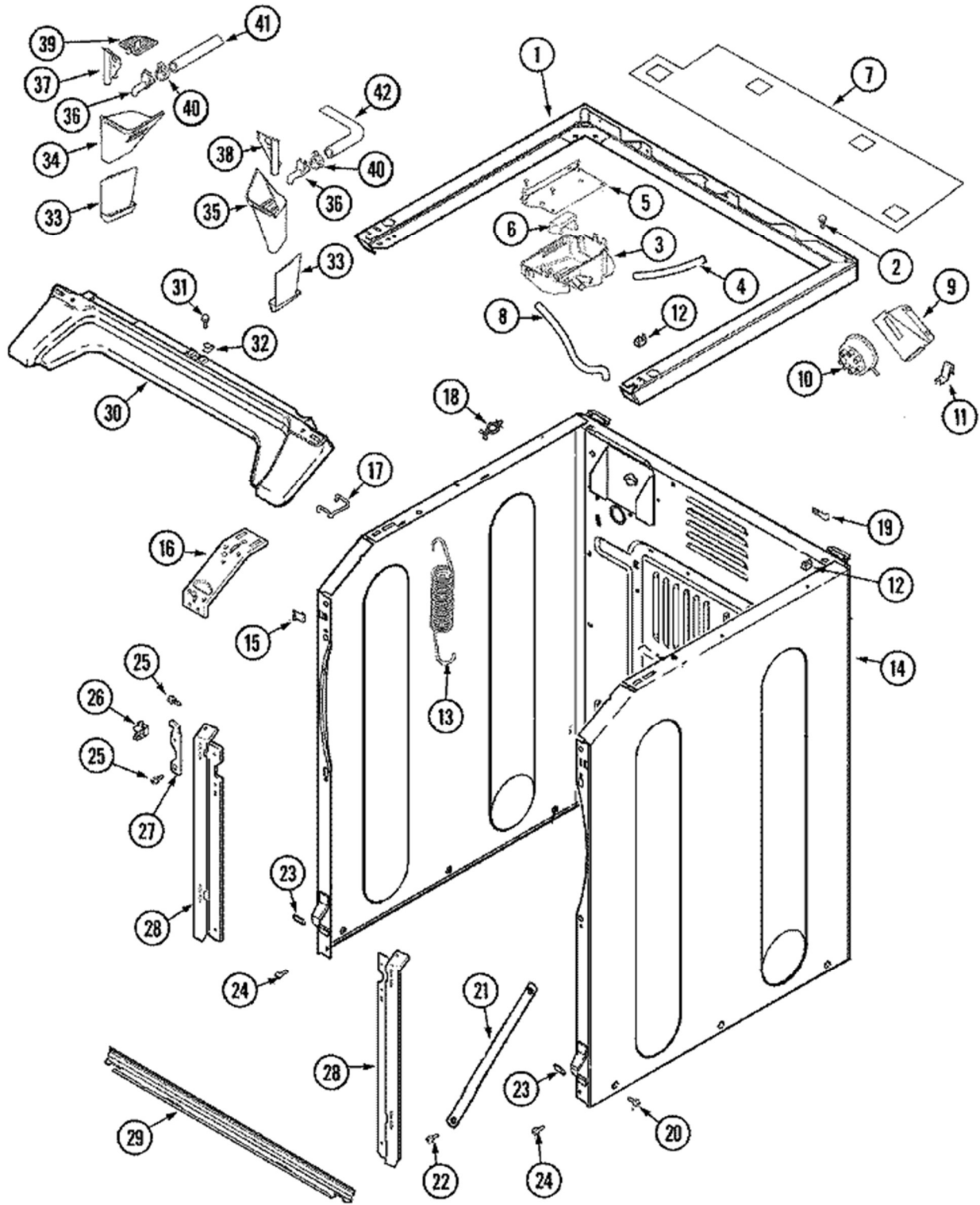
Guía	Número de parte	Descripción
1	BASE	22003435
2	RETAINER	WP22003298
3	SCREW----NA (PART NOT USED-DE	WPY313561
4	Wire Harness Clip	WP308605
5	Remote Style Pump with Motor - 120V	WP22003059
6	Foot, Front - Single	WPW10001130
7	Locking Nut	WP62739
8	Rubber Foot Pad	WP210684
9	Rear Strut Kit - Set of 2 Struts	22001988
10	Hose Clamp	WP285655
11	Clamp	WP696392
12	Screw	WP400021-1
13	Outer Tub Plug	WP22003262
14	Hose Clamp	WP285655
15	Strut Displacment Micro Switch	22002307
16	DISCONTINUED	N/A
17	CLIP- GROU	22002244
18	Screw	WP1163839
19	Lower Front Panel Clip	22002239
20	DEFLECTOR-	33002222
21	RESTRAINER	33002223
22	SLEEVING-	33002224
23	CLIP- AIRD	22003080
24	PRESSURE S	22003727
24	BAG, PLASTIC W/DRAWSTRING	22003265
25	Hose Clamp	WP285655
26	CAP	22003268
27	Drain Pump - 120V 60Hz	WP25001052



Guía	Número de parte	Descripción
1	COVER- TOP	33002124
2	PLUG- HOLE	33001997
3	SCREW	214354
4	BRACKET- T	33001999
4	BRACKET, TOP COVER (LT)	33001998
5	SCREW	WP22001995
6	DISCONTINUED	N/A
7	SCREW	WP22001995
8	WASHER- TE	WPY311270
9	SCREW	W11164114
10	STRAP	Y312184
11	SCREW	W10850756
12	Hex Nut	WP112432
13	Washer - 7/32 inch	WP311093
14	Terminal Block	WP33001244
15	WASHER- TE	WPY311270
16	FASTENER-	WP22001502
17	CABINET W	33002277
18	CLIP- ACCE	33001980
19	SCREW----NA (PART NOT USED-DE	WPY313561
20	Power Relay (Motor)	WP8566493
21	SCREW	213007
22	Nut	M0282005
22	Electronic Control Board	WP22004325
23	BRACKET	22002284



C.L. MLE2000AYW

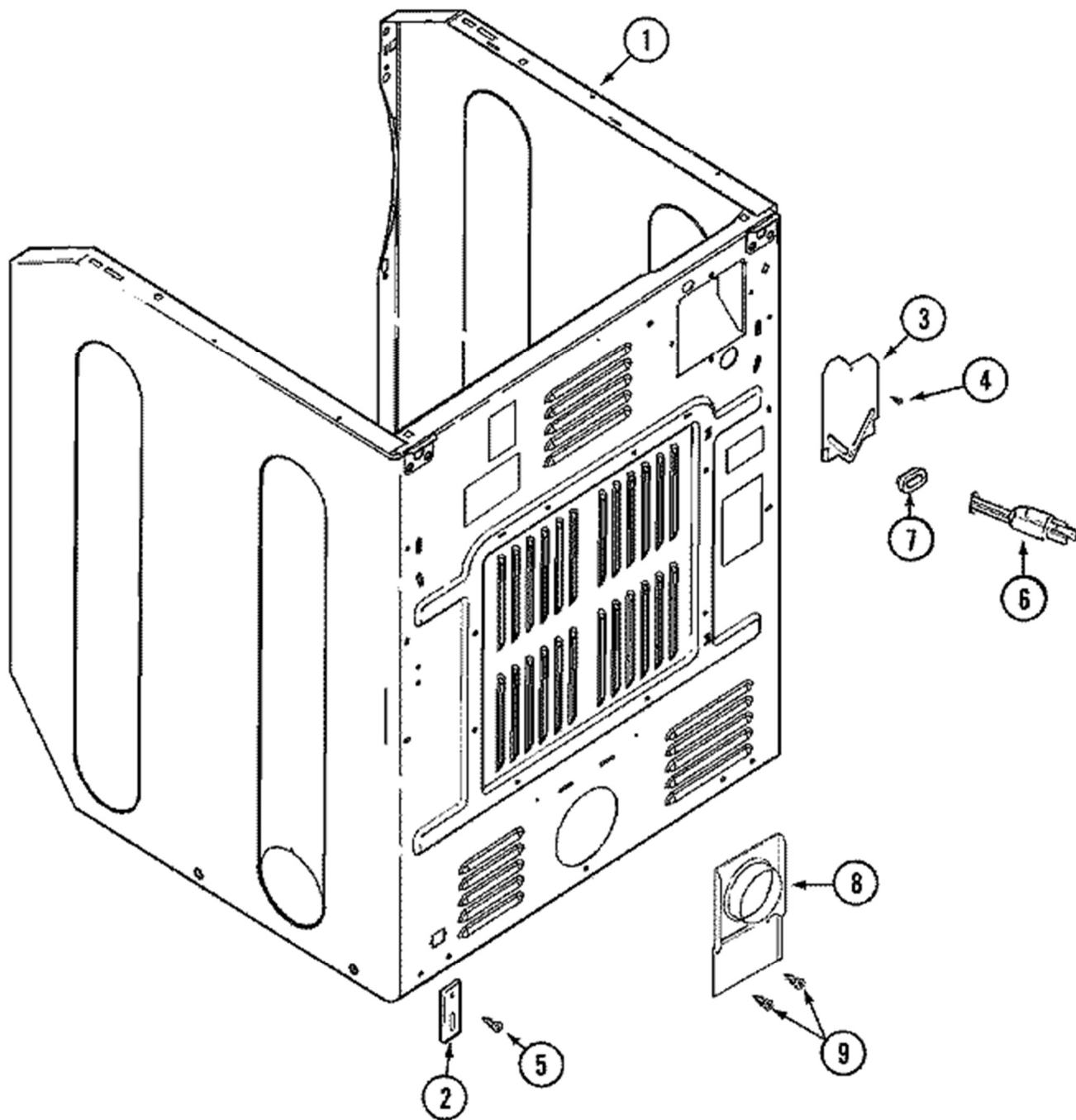


BENITO JUÁREZ #1500 GPE ZITON, CD. GUADALUPE NUEVO LEÓN TEL: 8183377999 Y 49
HORARIOS: LUNES A VIERNES 8:30 A 6:00 PM Y SÁBADOS DE 8:30 A 2:00 PM

www.denek.com

Guía	Número de parte	Descripción
2	SCREW	214354
3	Screw	WP33002917
3	VENT- TUB	33002775
4	HOSE	22002464
5	BRACKET- V	33002189
5	Screw	WP1163839
6	DEFLECTOR-	22002440
7	WIRE SHIEL	33002191
7	CLIP- SHIE	33002192
8	Clamp	WP489503
8	HOSE	33002193
9	CLIP- WIRE	Y310376
9	SUPPORT- P	33002188
10	Washer Pressure Switch(ser10)	WP22002921
10	Washer Pressure Switch(ser17)	WP22002921
11	CLIP- GROU	22002244
11	CLIP	22002006
12	NUT- SPEED	33002194
13	Tab to Cabinet / Plate Spring	22002100
13	SPRING- CA	WP22003254
14	DISCONTINUED	N/A
15	Clip	WP22002049
16	BARRIER	22003908
16	BRACKET- C	33002474
16	SUPPORT	22003652
16	BRACKET, CORNER (RT)	33002473
17	Spring Support	WP22002297
18	Retainer	WP22003298
19	BRACKET- W	22002178
20	SCREW	213007
21	BRACE- CRO	22002767
22	Screw	WP1163839
23	STOP- SHIP	22002013
24	Screw	WP1163839
25	Screw	WP22001995
26	SUPPORT- H	22002001
27	FASTENER-	33002037

Guía	Número de parte	Descripción
28	BRACKET- S	22003224
28	BRACKET- S	22002985
29	SUPPORT	22003652
29	BRIDGE- SH	22001993
30	Access Cover - White	33002011
31	Screw	WP22001995
32	FASTENER C	33002013
33	DISCONTINUED	N/A
34	CUP- BLEAC	33002197
35	CUP- FABRI	33002198
36	Spout	WP33002199
37	CAP- BLEAC	33002200
38	CAP- FABRI	WP33002201
39	SCREEN- BL	WP33002204
40	Clamp	WP489503
41	Hose	WP33002207
42	HOSE- FABR	33002208
43	WIRE HARNE	22003820
43	CLIP	22002006
43	WIRE HARNE	22002694
44	CONNECTOR	22002523
44	PIN 16 GA	22002526
44	PIN 18 GA	22002525
45	SHROUD DIS	22002506



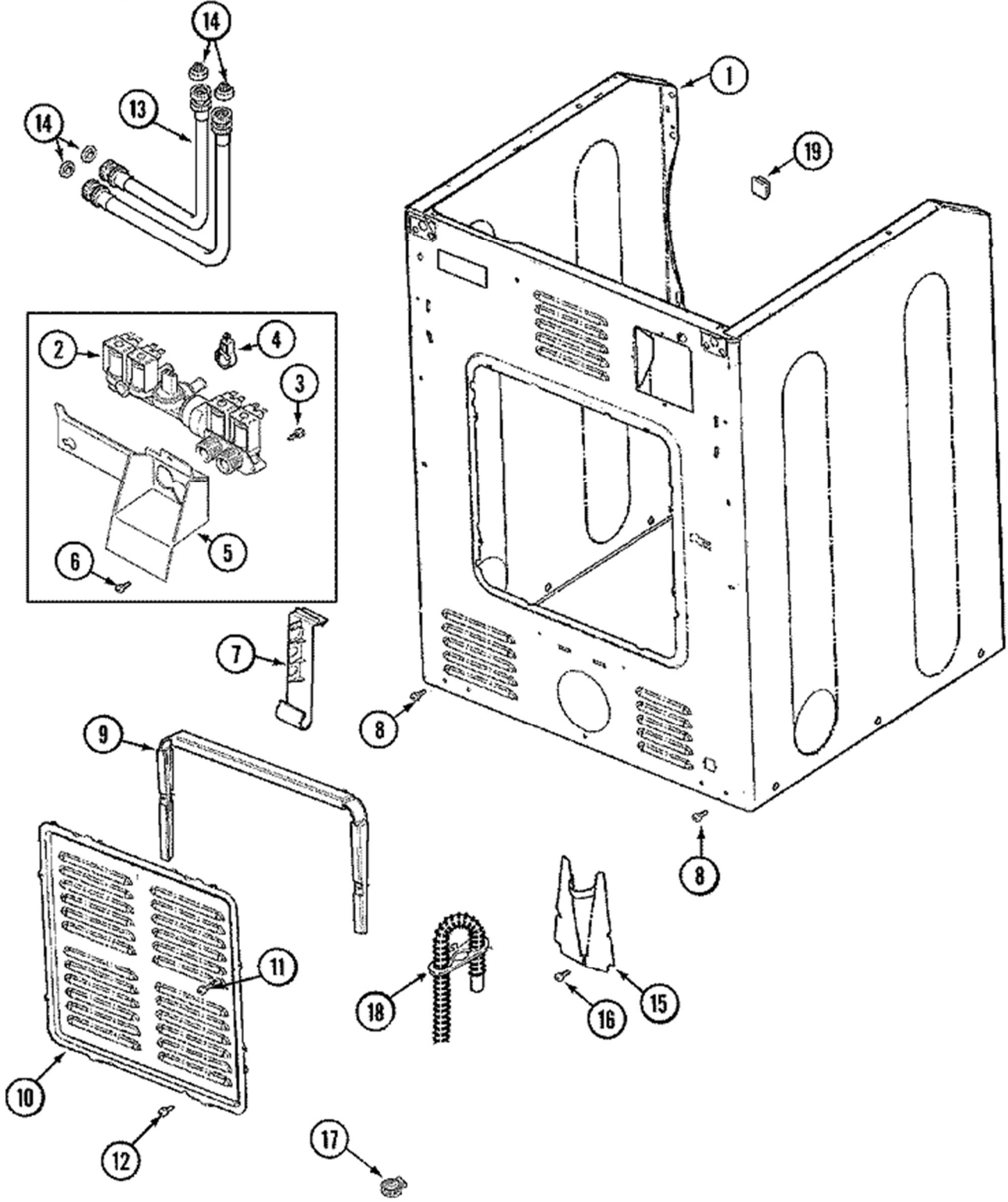


C.L. MLE2000AYW

Guía	Número de parte	Descripción
1	CABINET W	33002277
2	BRACKET- S	33002060
3	COVER- TER	33001795
4	Screw	WP22001995
5	Screw	WP22001995
6	SHIELD, POWER CORD (102)	33002323
7	GROMMET- C	211881
8	DISCONTINUED	22002528
9	Screw	WP22001995



C.L. MLE2000AYW



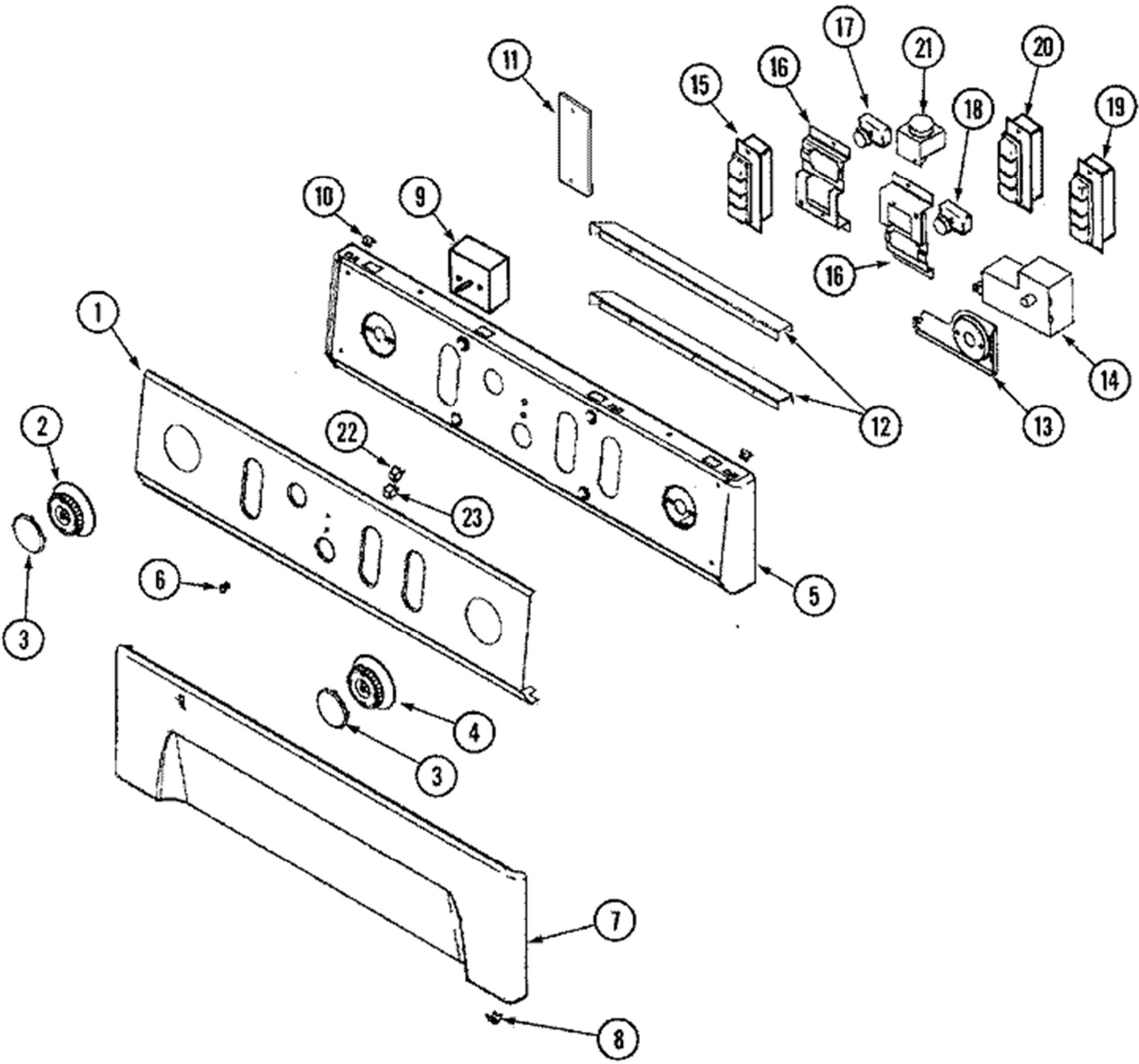
BENITO JUÁREZ #1500 GPE ZITON, CD. GUADALUPE NUEVO LEÓN TEL: 8183377999 Y 49
HORARIOS: LUNES A VIERNES 8:30 A 6:00 PM Y SÁBADOS DE 8:30 A 2:00 PM

www.denek.com

Guía	Número de parte	Descripción
1	Plastic Hinge	WP22004095
1	SCREW	213007
2	Water Inlet Valve - 4 Coil	WP22002437
3	DISCONTINUED	N/A
4	Clamp	WP489503
5	BRACKET- W	33002212
6	Screw	WP489128
7	RACK- HOSE	33002213
8	Screw	WP22001995
9	SPACER- AC	22002022
10	PANEL- ACC	22002092
10	REAR ACCES	22004355
11	Screw	WP67006908
12	Screw	WP489128
13	Inlet Hose Kit	202860
14	Inlet Hose Washer	WPY013783
15	COVER- DRA	22002704
16	Screw	WP22001995
17	Hose Clamp	WP285655
18	Retainer	WP22002892
18	Drain Hose Replacement Kit	12001807
18	TIE-WIRE	35-2890
18	PLUG, HOLE	215950



C.L. MLE2000AYW



BENITO JUÁREZ #1500 GPE ZITON, CD. GUADALUPE NUEVO LEÓN TEL: 8183377999 Y 49
HORARIOS: LUNES A VIERNES 8:30 A 6:00 PM Y SÁBADOS DE 8:30 A 2:00 PM

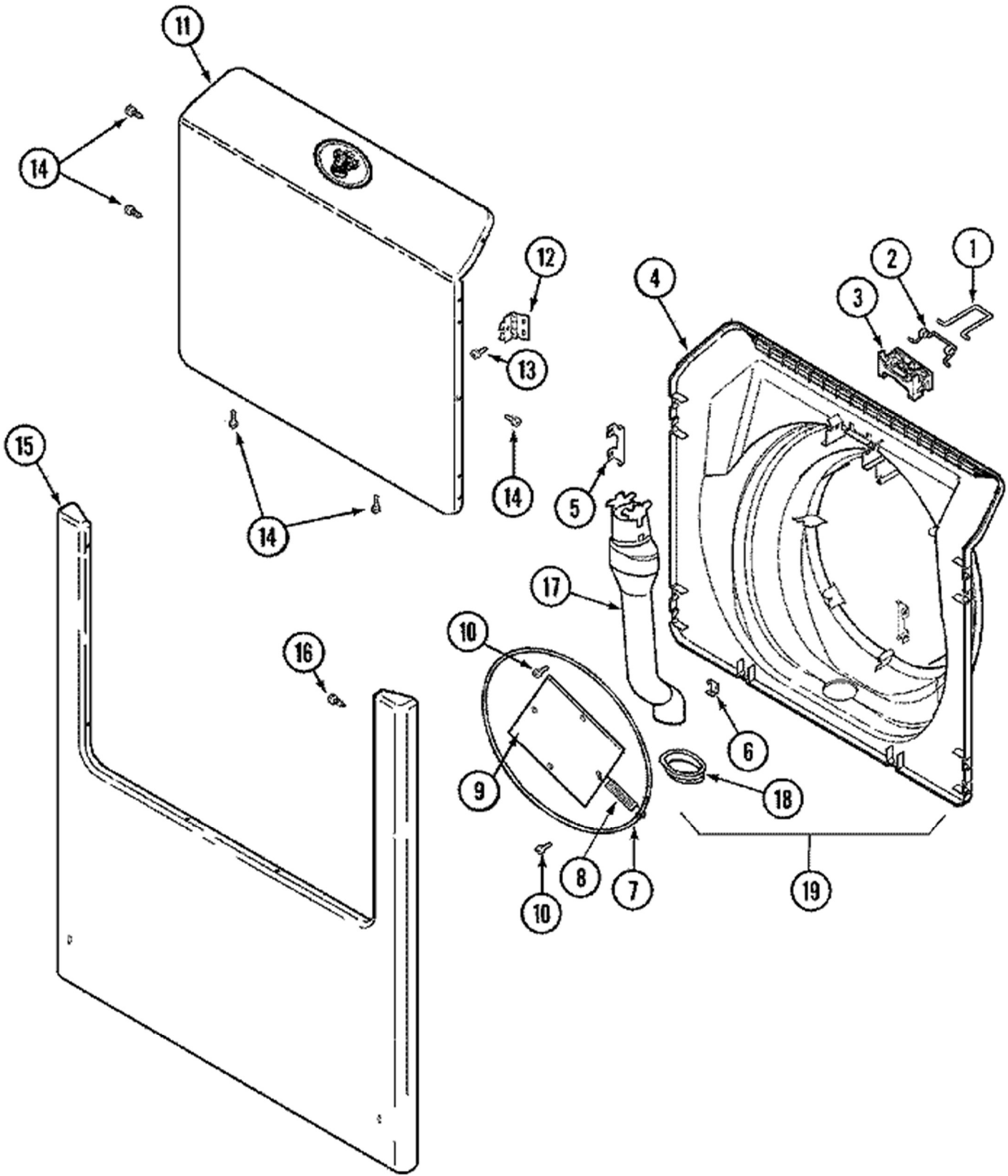
www.denek.com

Guía	Número de parte	Descripción
1	FACIA (WHT)	22002460
2	Timer Knob	33002132
3	Timer Knob Insert Cap	WP22001664
4	Timer Knob (Washer)	22002461
5	Screw	WP22002063
5	PANEL- CON	22002514
6	Indicator Light Lens	WP7730P011-60
7	Screw	WP22002063
7	PANEL- ACC	33002072
7	CLIP- FAST	33002004
8	CLIP- ACCE	33001980
9	Electronic Timer	33002677
9	Screw	WP489399
9	Timer	WP33002109
10	FASTENER-	33001977
11	Screw	WP488234
11	Electronic Control Board	WP33001212
12	Retainer	WP22003298
12	Screw	W11233072
12	CHANNEL- S	22002515
13	BRACKET- W	22002516
13	Screw	WP489399
14	Timer	WP22002452
14	Screw	WP1163839
15	BUTTON- SW	22001788
15	BUTTON- SW	22001789
15	Temperature Switch	33002121
16	BRACKET- P	22002518
16	Screw	WP1163839
17	WIRE HARNE	22003824
17	WIRE HARNESS, MAIN (UPR)	33002227
17	Push to Start Switch	37001070
17	HARNESS- W	2205143
17	CLIP	22002006
17	HARNESS- M	2205143
17	WIRE HARNE	22003820
17	HARNESS- W	22004471

Guía	Número de parte	Descripción
18	Push Start Switch	22002560
19	SWITCH- WA	22002453
19	BUTTON- SW	22001789
19	BUTTON- SW	22001788
20	BUTTON- SW	22001788
20	BUTTON- SW	22001789
20	SWITCH- OP	22002455
21	SIGNAL- EN	33001848
21	Screw	WP488234
22	LIGHT-IND	22002281
23	Lock Indicator Light	WP903115
24	WIRE HARNE	33002226
25	CONNECTOR	22002524
26	MANUAL, USE & CARE-TRILINGUAL	2202493
26	MANUAL, USE & CARE T	2206686
26	MANUAL, USE & CARE	33002448
26	MANUAL, USE & CARE	33002447
27	DISCONTINUED	N/A
28	VIDEO, U & C (STACK)	33002235
30	LABEL, ENERGY	22002444
31	Noise Filter	WP22003858



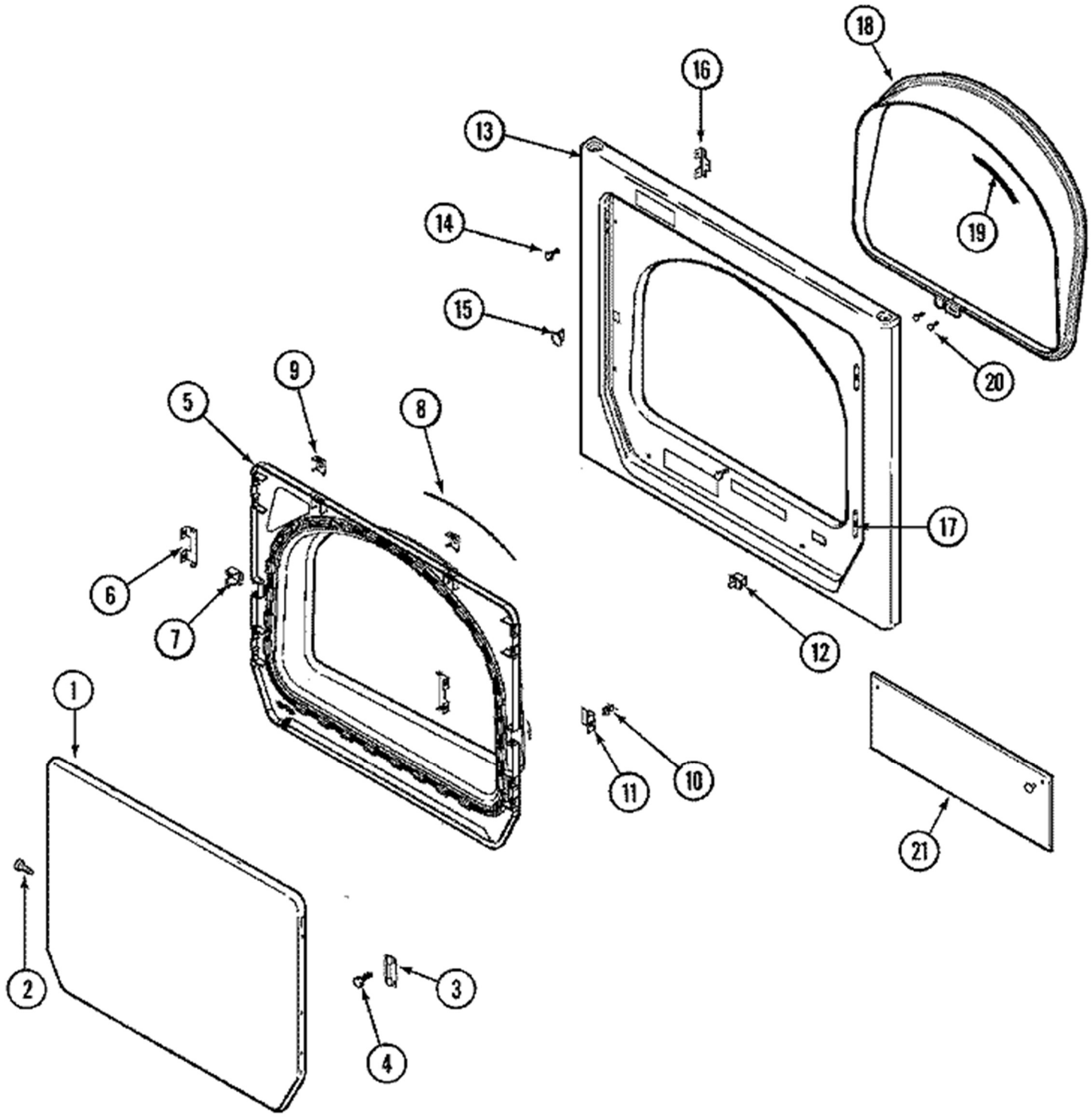
C.L. MLE2000AYW



Guía	Número de parte	Descripción
1	HOOP- LOCK	22003222
2	SPRING- LA	22002003
3	SUPPORT- L	22002168
4	SUPPORT- L	22003800
4	Inner Door - White	22003800
4	Inner Door Liner with Vent	22003083
5	Double Door Clip	22002038
6	Single Door Clip	22002039
7	WIREFRAME	22002104
8	SPRING- PL	22002356
9	PLATE	22002094
10	SCREW	22002007
11	PANEL- DOO	22002260
12	Door Hinge	WP22002798
13	SCREW	WP98006631
14	SCREW	WP22002063
15	Front Panel	22002836
16	CLIP- GROU	22002244
16	Hinge Screw	WP22002012
17	TUBE-VENT	WP22003850
18	Vent Tube Grommet	WP22003075
19	Inner Door Liner with Vent	22003083
20	BARRIER	22003908



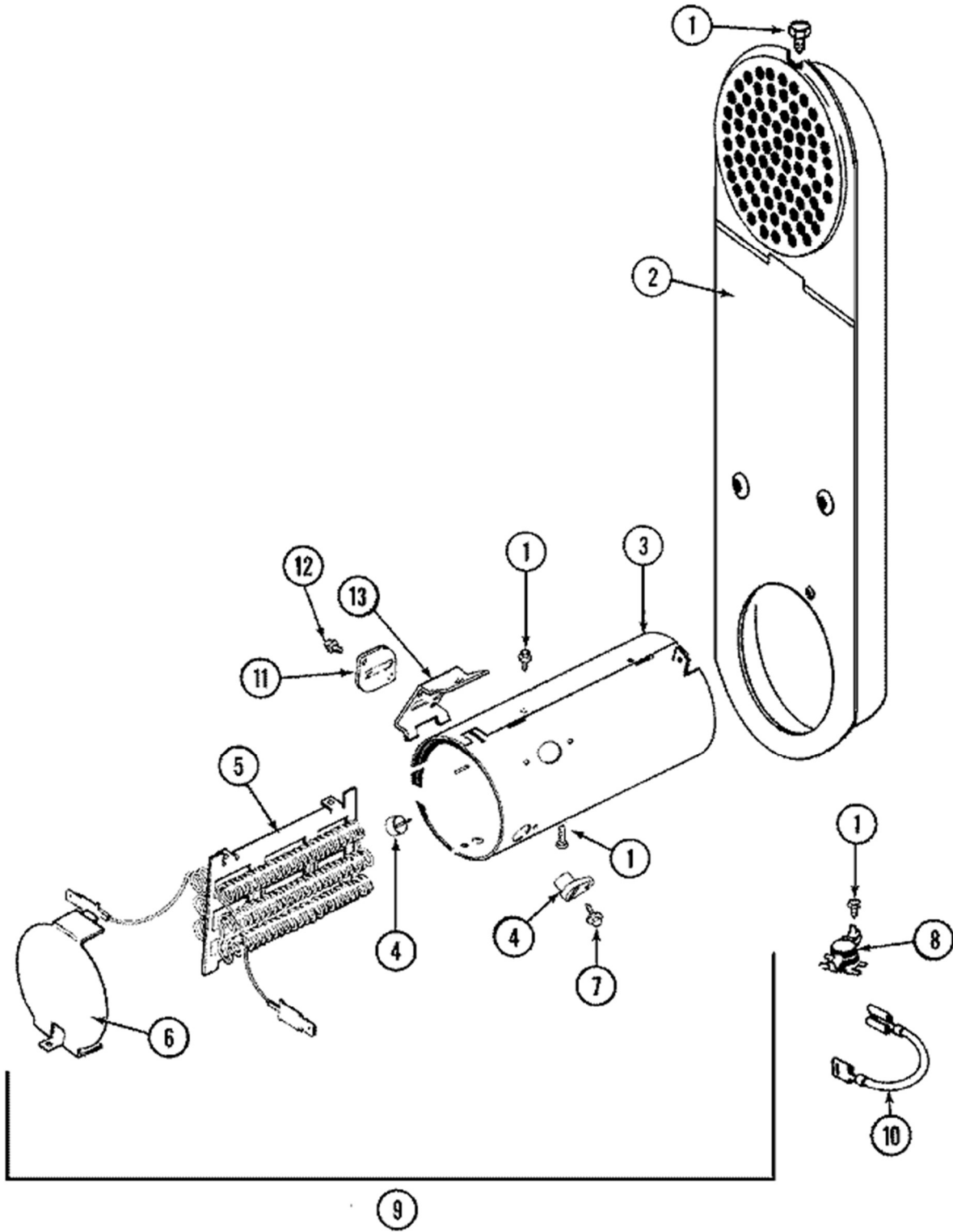
C.L. MLE2000AYW



BENITO JUÁREZ #1500 GPE ZITON, CD. GUADALUPE NUEVO LEÓN TEL: 8183377999 Y 49
HORARIOS: LUNES A VIERNES 8:30 A 6:00 PM Y SÁBADOS DE 8:30 A 2:00 PM

www.denek.com

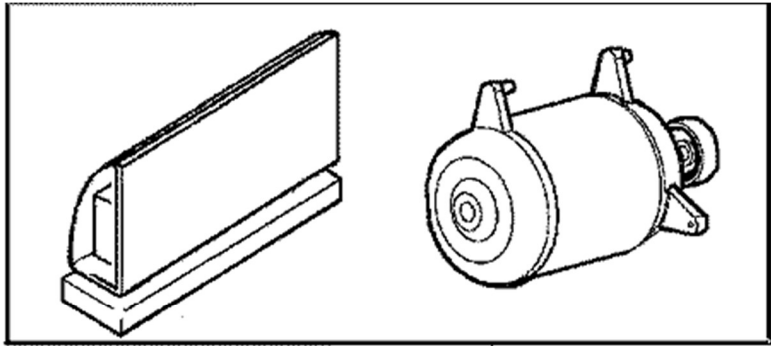
Guía	Número de parte	Descripción
1	PANEL- OUT	33002128
2	Screw	WP22002063
3	HINGE- DOO	33002017
4	Screw	WP98006631
5	DOOR- INNE	22002520
6	Double Door Clip	22002038
7	Screw	WP22002063
7	PLUG- INNE	33001763
8	Door Seal	WP33002094
9	Single Door Clip	22002039
10	Screw	WP22002063
10	Door Strike - male	WP33001761
11	Door Strike Bracket	WP33001793
12	Door Switch Kit	W10169313
13	PANEL- FRO	33002081
14	Screw	WP98008544
15	Door Latch Kit	306436
16	TWIN SPEED	33002025
17	COVER- HIN	33001175
18	EXTENSION-	33002026
19	Shroud Seal	WP33001767
20	Screw	WP33002917
21	SHIELD- CO	22002521
21	FASTENER-	33002048



Guía	Número de parte	Descripción
1	Screw, 8/18 x 3/8	WP90767
2	DUCT-AIR	33003038
2	DUCT-AIR	33003038
3	HEATER ENC	314995
4	Terminal Insulator	314998
5	Heating Element - 240V	WPY308612
6	SHIELD	314999
7	SCREW	25-9103
8	High Limit Thermostat (Limit: 200-30)	WP303396
9	Heating Element - 240V	WP307178
10	Dryer Belt Switch Jumper Wire	WPY307173
11	Thermal Fuse	WP307473
12	Screw, 8/18 x 3/8	WP90767
13	DISCONTINUED	N/A
14	Heater Element Assembly	W10116795



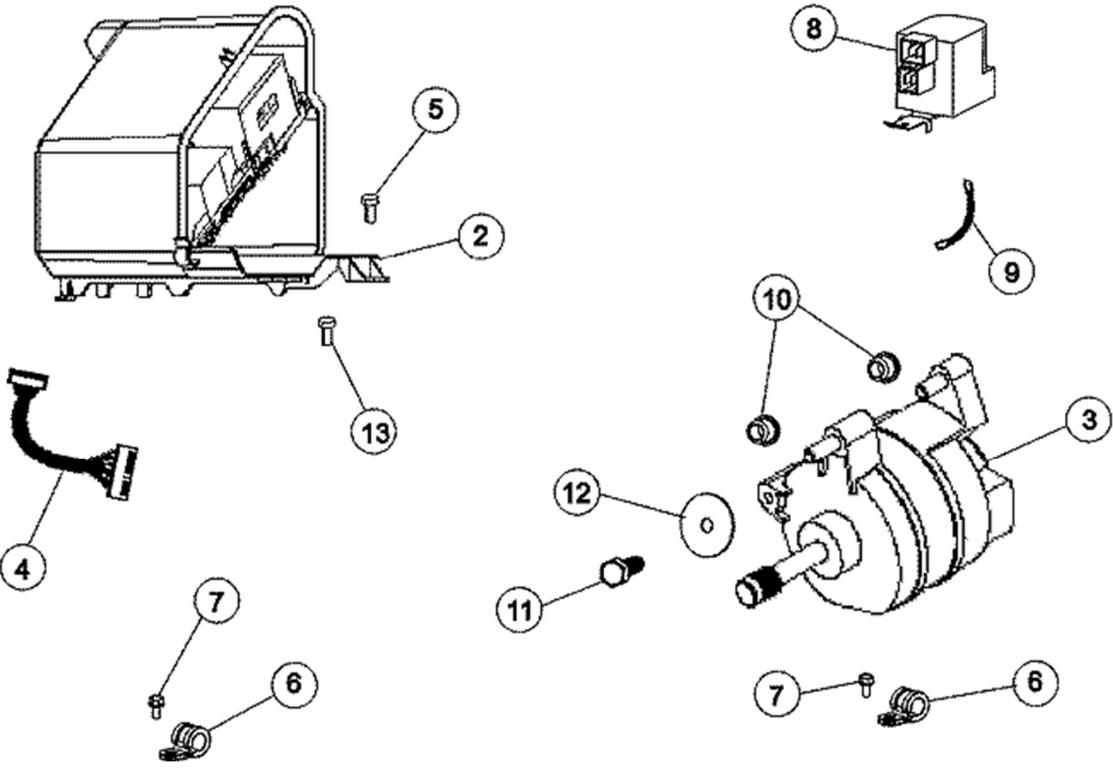
C.L. MLE2000AYW



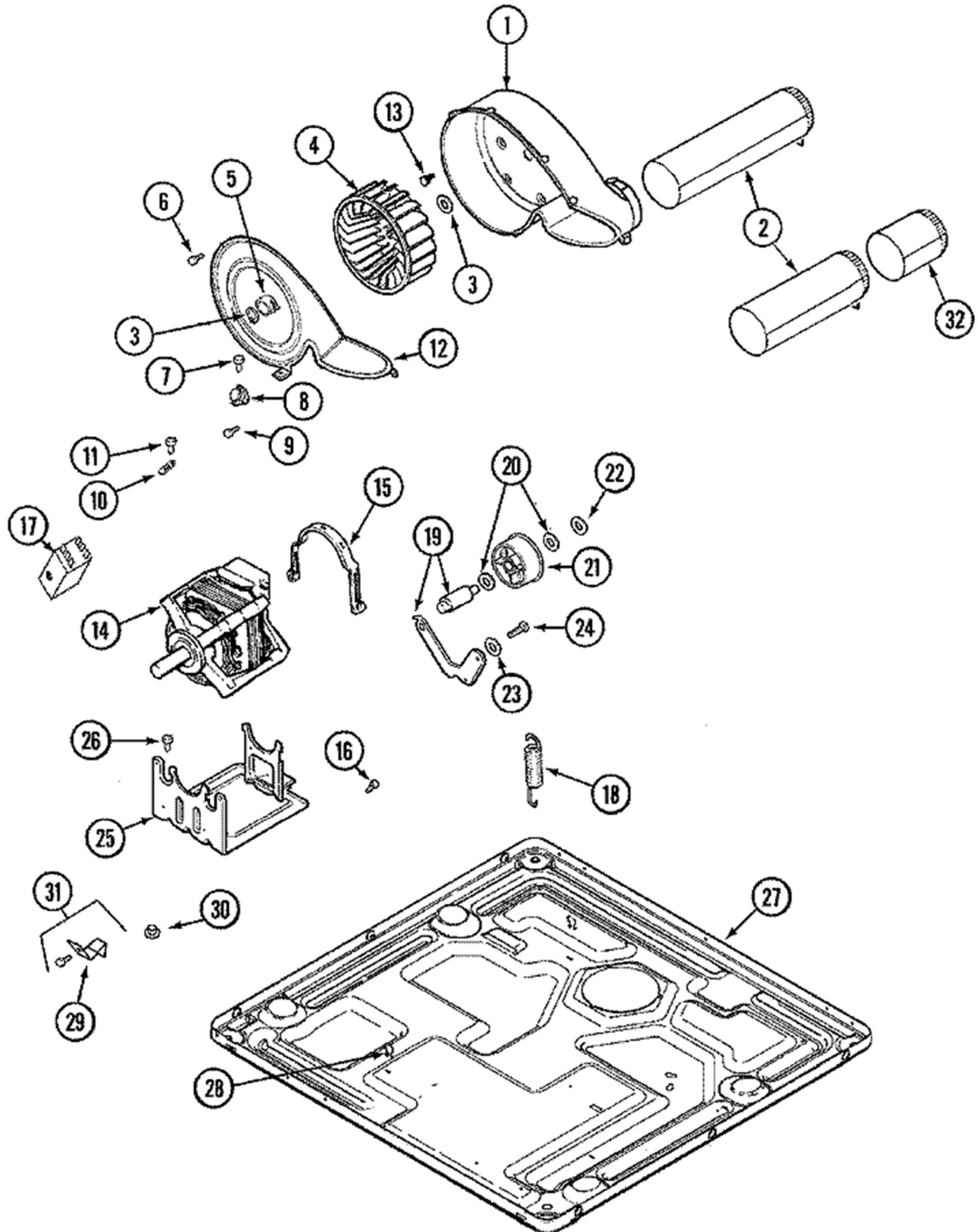
1 USE FOR ITEM 2 PRIOR TO SERIES 62

ITEM 1 - KIT CONTAINS:

12002040 Motor w/100ft/200ft	22004016 Motor Control Board	22004047 Motor Harness	22002954 AC Line Filter	22004102 P-Caps (2)	22002900 Screw - P-Cap to Motor	22004101 Lower Jumper Wire Harness	22004103 Ground Screw



Guía	Número de parte	Descripción
1	Motor and Control Board Conversion Kit	12002039
2	Screw SERIE 87-89	WP22001995
2	Motor Control Assembly SERIE 78	WP22004046
2	Motor Control Assembly SERIE 87	22004473
2	Motor Control Assembly SERIE 89	22004473
2	Motor Control Assembly SERIE 90	22004473
3	KIT- MOTOR SERIE 27	12001808
3	Motor-Control Board Conversion Kit SERIE 10	12002039
3	Drive Motor SERIE 78	22003856
4	MOTOR HARN SERIE 10	22004212
4	HARNESS, MAIN LED SERIE 87	22004431
4	RETAINER-78	33001989
5	Screw SERIE 10	WP1163839
6	RETAINER-	33001989
7	Screw, Ground	WP3351614
8	BOLT- MOTO SERIE 10	22003599
8	BOLT- MOTO SERIA 39	22003686
9	WASHER SERIE 10	22002320
10	Isolator SERIE 10	WP22003329

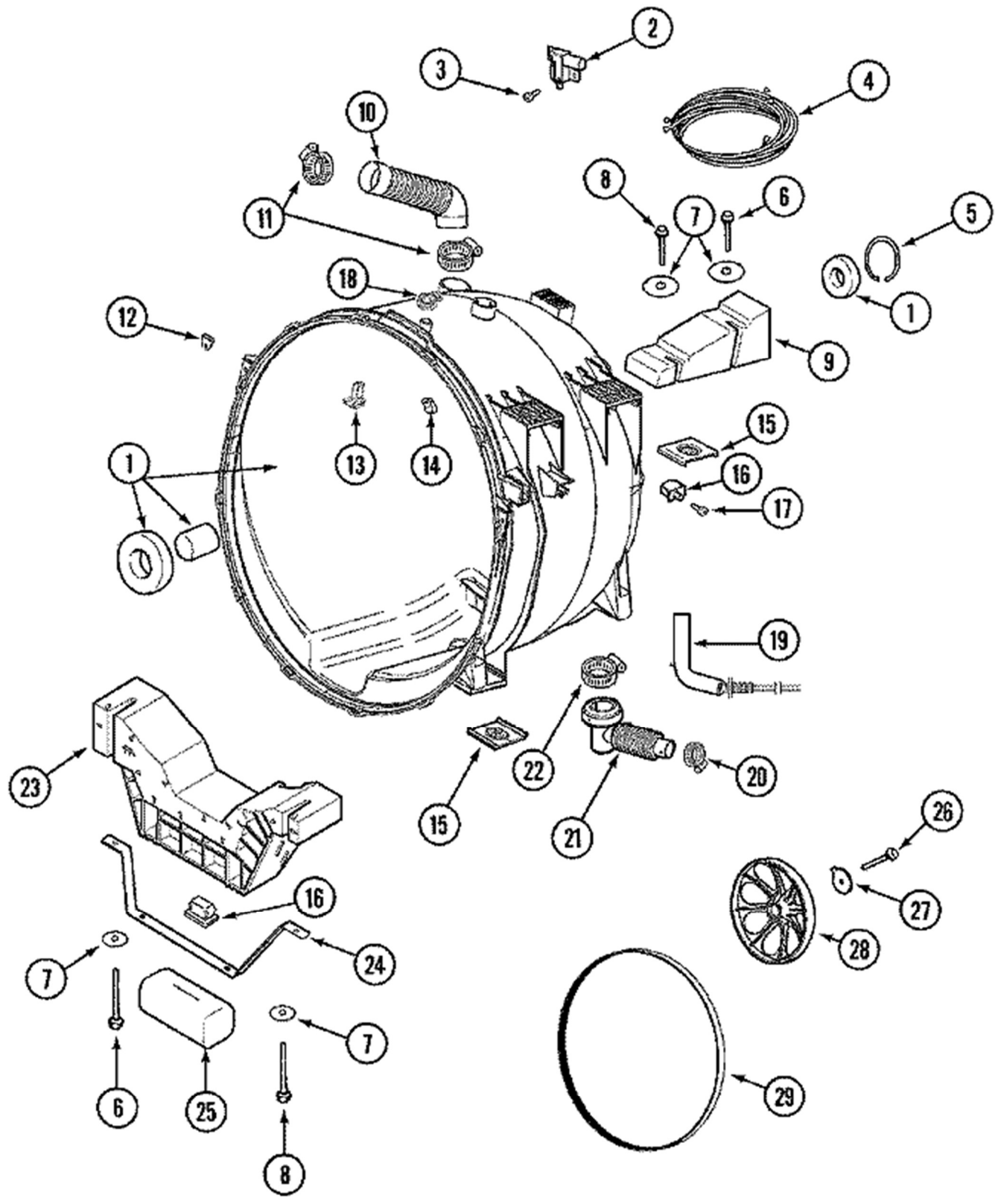


Guía	Número de parte	Descripción
1	Blower Housing	WP33001789
2	Screw	WP22001995
2	PIPE-EXHST	33002570
2	SEAL- EXHA	33002321
2	DUCT Assembly	33002185
3	Retaining Ring	WP9703438
4	Blower Wheel SERIE 10	33001790
4	Blower Wheel SERIE 65	WP33002797
5	Blower Wheel Clamp	WP312967
6	Screw	WP33002917
7	SCREW----NA (PART NOT USED-DE	WPY313561
8	Multi-Temperature Cycling Thermostat	WP3387137
9	Screw	WP489128
10	Thermal Fuse (Limit: 183)	WP33001762
11	Screw	WP489128
12	COVER- BLO	33002711
13	Screw	WP1163839
14	Drive Motor - 60Hz 120V SERIE 65	WP33002795
14	Drive Motor - 115V SERIE 18	W10410997
14	Drive Motor - 115V SERIE 10	W10410997
14	Drive Motor - 115V SERIE 15	W10410997
15	Motor Clip	WPY015825
16	Screw	WP488234
17	Drive Motor - 115V SERIE 10	W10410997
18	GROMMET	33002157
18	Idler Spring with Rubber D. SERIE 10	33002459
18	Idler Spring with Rubber D. SERIE 22	33002459
19	Idler Arm and Shaft	WP6-3705180
20	Idler Pulley Shaft Washer	WPY312527
21	Idler Pulley Wheel and Bearing	WP6-3700340
22	Idler Shaft Retaining Ring	WP354987
23	Idler Arm Screw Sleeve	WP315772
24	Screw	WPY014874
25	MOTOR SUPP	33002817
26	SCREW----NA (PART NOT USED-DE	WPY313561
27	Screw, 8/18 x 3/8	WP90767
27	Transformr	WPW10133285



C.L. MLE2000AYW

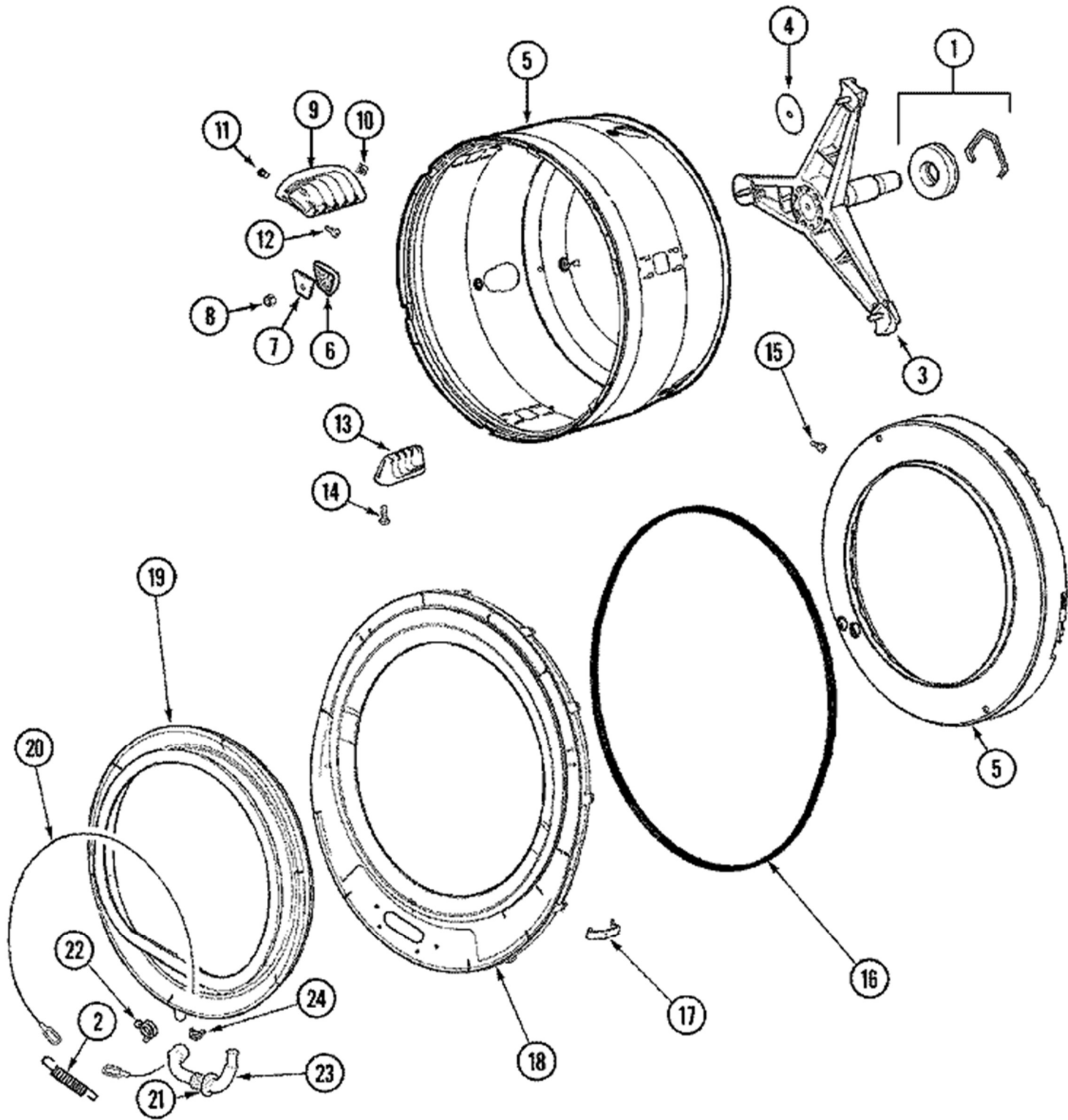
Guía	Número de parte	Descripción
27	Screw	WP3177991
27	Grommet	WP302797
27	SHIELD- XF	315218
27	BASE UPR	33002467
28	SPRING- WI	410490
29	Screw	WP22001995
29	BRACKET- R	33002757
29	BRACKET- R	33002757
29	BRACKET- L	33002758
29	BRACKET- S	33002503
30	GUIDE	33002044
31	BRACKET SC	12001551
32	PIPE-EXHST	33002571





C.L. MLE2000AYW

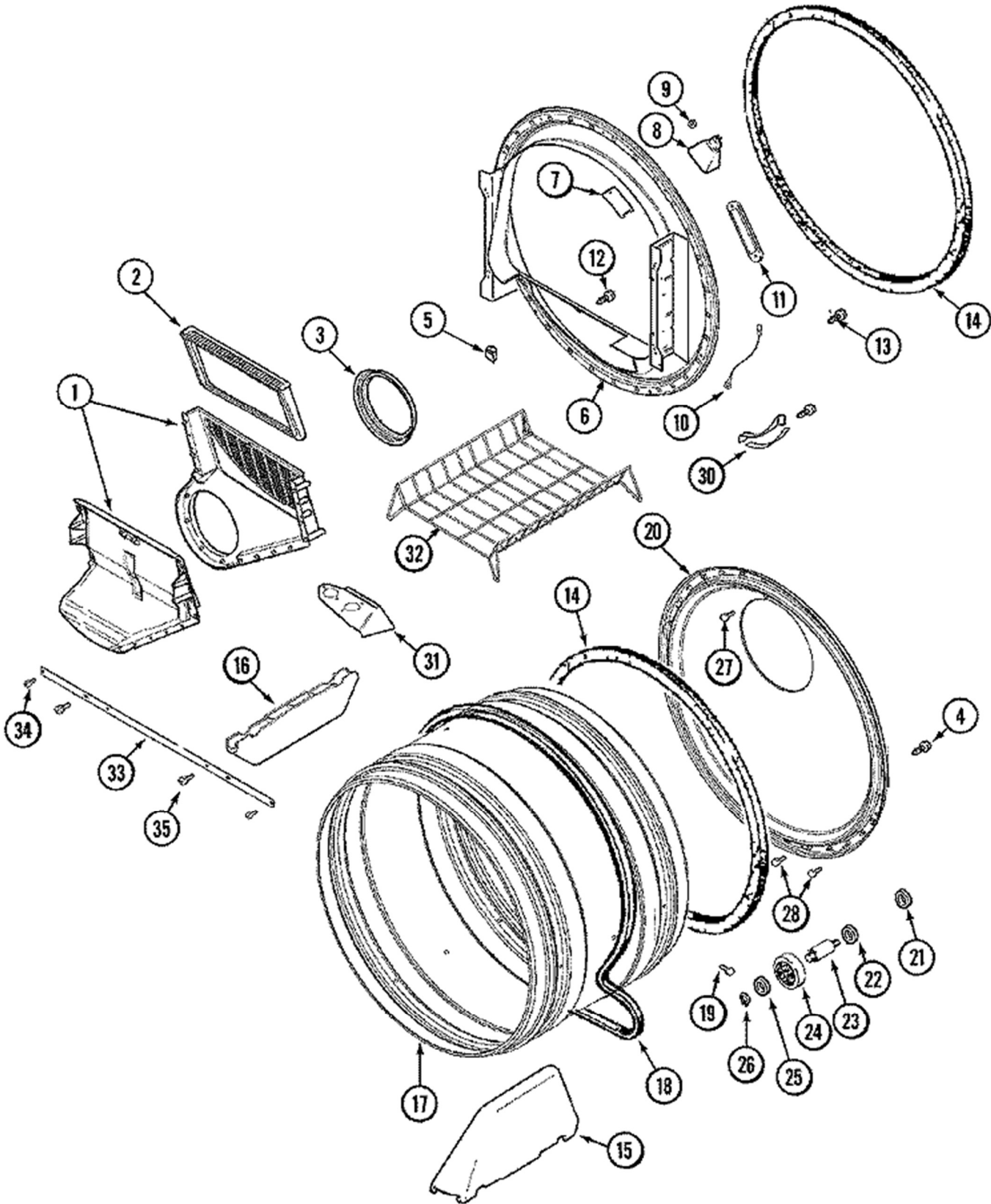
Guía	Número de parte	Descripción
1	SHROUD DIS	22002506
1	Outer Tub with Bearing SERIE 10	22004465
1	Outer Tub with Bearing SERIE 82	22004465
1	CLIP	22002006
2	Internal Unbalance Switch SERIE 10	22003302
2	Internal Unbalance Switch SERIE 55	22003302
3	SCREW	910187
3	Screw, 8-18 x 1/2	WP9740848
4	KIT-HARNES	12001798
5	RING, RETAINING	22001981
6	BOLT- DOUB	22003615
6	Screw	33002973
7	WASHER, COUNTER BALANCE	22002067
8	Screw	33002973
8	BOLT- DOUB	22003616
9	WEIGHT- CO	22002102



Guía	Número de parte	Descripción
1	Lip Seal Kit SERIE 10	12002022
1	Lip Seal Kit SERIE 65	12002022
2	Boot Cable/Tub Spring	22002099
3	Inner Tub Kit	6-2717080
3	Spinner Support and Seal Kit SERIE 10	W10181639
3	Spinner Support and Seal Kit SERIE 54	W10181639
3	Adhesive	WP22002123
3	RING-O	WP22004108
4	Plastic Washer	22002023
5	Inner Tub Kit	6-2717080
5	Screw	WP400021-1
6	WASHER- PR	22002482
7	WASHER- SP	22002020
8	Nut	WP2207454
9	BAFFLE- Door	22001985
10	GROMMET	22002009
11	GROMMET	22001999
12	Screw	WP22003556
13	Front Drip Baffle	22001986
14	Baffle Screw	22002059
15	SCREW, BALANCE RING	22002028
16	SEAL-TUB	WP22002077
17	Tub to Cover Clip	WP22002050
18	Tub Cover with Seal SERIE 14	22003212
18	Tub Cover with Seal SERIE 10	22003212
18	Tub Cover with Seal SERIE 23	22003212
18	COVER- TUB	22004254
19	Bellow SERIE 10	12002533
19	Bellow SERIE 23	12002533
20	BOOT CABLE CLAMP	22002327
21	Shield	WP22003074
22	Hose Clamp	WP596669
23	Door Boot Drain Hose	WP22004477
24	Hose Clamp	WP596669



C.L. MLE2000AYW



BENITO JUÁREZ #1500 GPE ZITON, CD. GUADALUPE NUEVO LEÓN TEL: 8183377999 Y 49
HORARIOS: LUNES A VIERNES 8:30 A 6:00 PM Y SÁBADOS DE 8:30 A 2:00 PM

www.denek.com

Guía	Número de parte	Descripción
1	Outlet Duct Assembly	33001799
1	LABEL, POWER CORD WARNING	33002228
2	Lint Filter	WP33001808
3	Blower Seal	33002560
4	Screw	WP1163839
5	CLIP- WIRE	Y310376
6	Front Tumbler	33001868
7	Drum Lens	33001869
7	SCREW	33001871
8	Light Bulb - 10W	WP22002263
8	HOLDER, LAMP (W/HOUSING)	33001870
9	End Cap Palnut	214872
10	SENSOR GRO	Y303711
10	Screw, 8/18 x 3/8	WP90767
11	Screw	WP3177991
11	Moisture Sensor	33001809
12	Screw	312311
13	Screw	WP33002917
14	Dryer Drum Felt Seal	WP33001807
15	Tall Baffle	WP33002032
16	Short Baffle	WP33001755
17	Drum Assembly	33001889
18	Multi Rib Belt - 91-5/8 Inches	WP33002535
19	Screw	33002973
20	BACK- TUMB	33001801
20	TUMBLER BA	33003037
21	Roller Shaft Hex Nut	WP33001443
22	Drum Roller Shaft Washer	WP312535
23	Roller Shaft	WP6-3129480
24	Drum Support Roller Kit	12001541
25	Drum Roller Shaft Washer	WP312535
26	Retaining Ring	WP9703438
27	SCREW	210932
28	SCREW	WP489128
29	Rivet	WP210720
30	Front Glide Kit	306508
31	COVER- THE	33001837

Guía	Número de parte	Descripción
32	Drying Rack	33001917A
33	BRACE- TUM	33002039
34	SCREW	WP22001995
35	SCREW	33001768