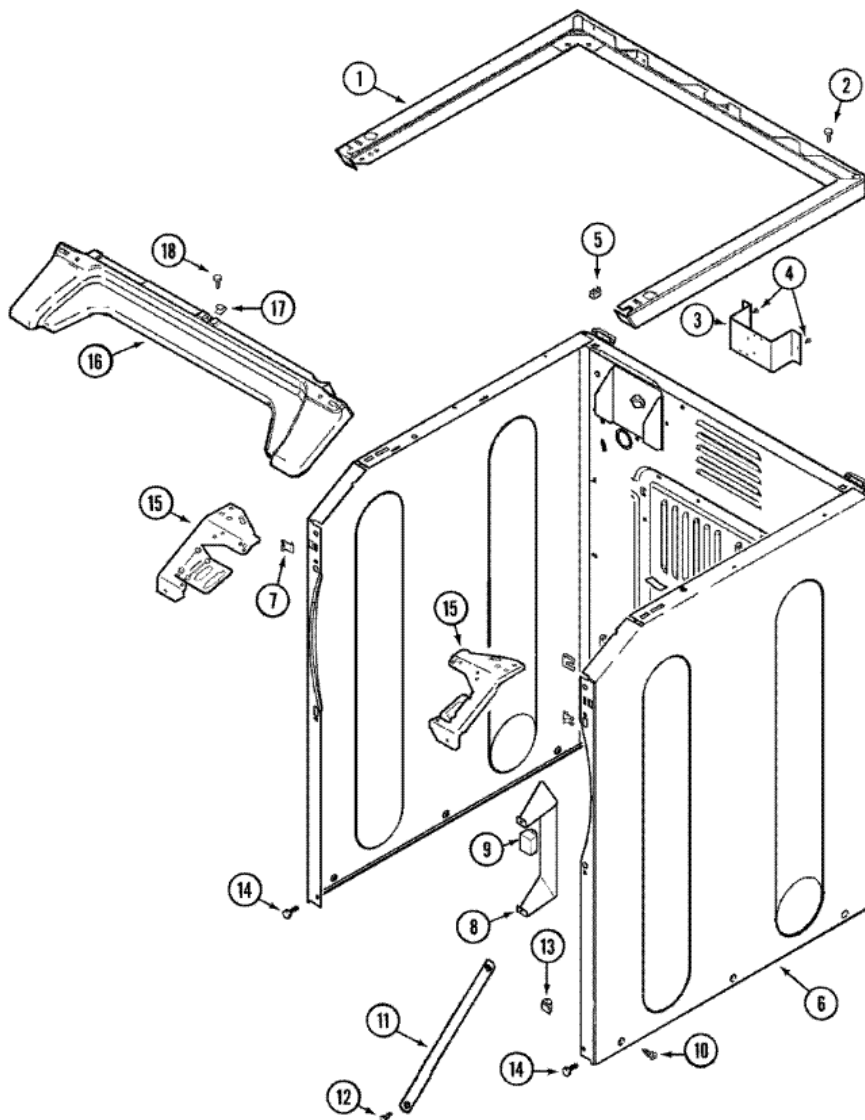


Distribuidor Autorizado

**SurteRápido.com**

Venta de Refacciones  
Electrodomesticas

## MLG15PDAWW GABINETE

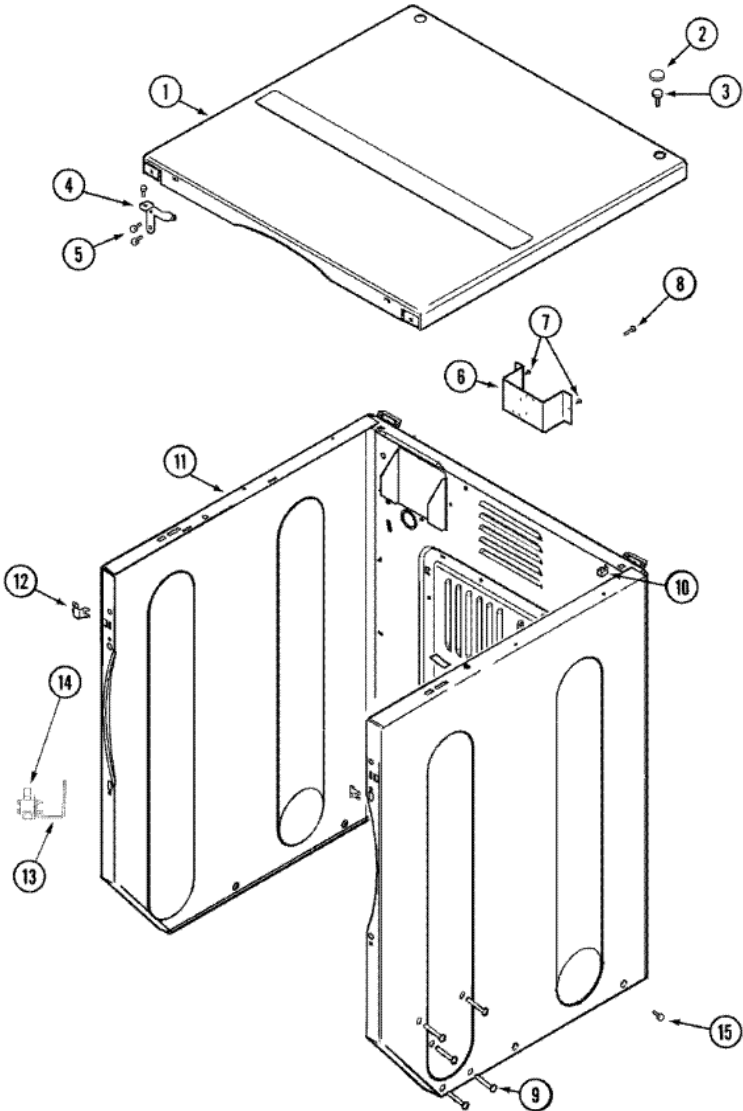




## MLG15PDAWW GABINETE

1	33002963	SUPPORT (WHT) (S/P)
2	22001883	SCREW (S/P)
3	33001826	<b>DESCONTINUADO</b>
4	22001995	SCREW (S/P)
5	22001502	FASTENER, U-NUT (S/P)
6	22003639	<b>DESCONTINUADO</b>
7	22002049	CLIP (S/P)
8	Y313561	<b>DESCONTINUADO</b>
8	Y310632	SCREW (S/P)
8	314627	RELAY BRACKET (S/P)
9	W10133335	RELAY, SPST 24VDC
9	Y251119	SCREW (S/P)
10	213007	SCREW, CABINET (S/P)
11	22002767	BRACE, CROSS (S/P)
12	22001995	SCREW (S/P)
13	Y310376	CLIP, WIRE HARNESS (S/P)
14	22001995	SCREW (S/P)
15	33002473	BRACKET, CORNER (RT) (S/P)
15	33002009	BRACKET, CORNER (LT) (S/P)
16	33002011	COVER, ACCESS (WHT) (S/P)
17	33002013	FASTENER CLIP, ACCESS COVER (S/P)
18	22001995	SCREW (S/P)
19	33002054	WIRE HARNESS, MAIN (LWR) (S/P)
20	33001989	RETAINER, WIRE (S/P)

**MLG15PDAWW GABINETE**

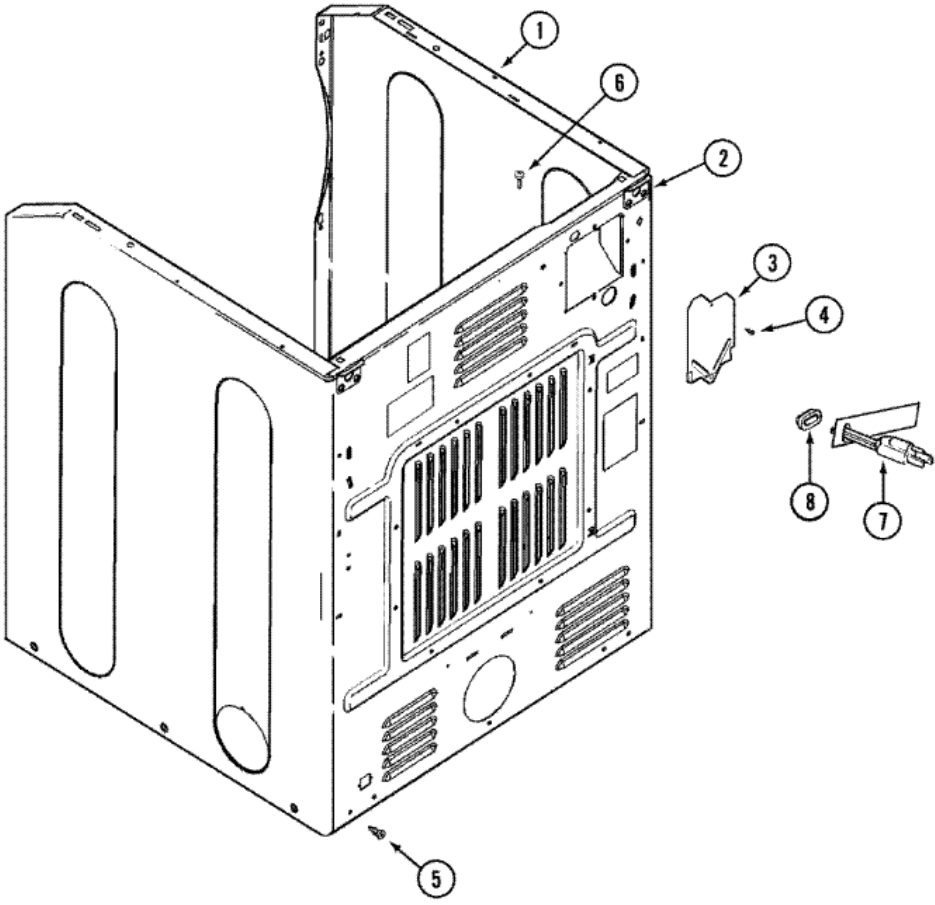




**MLG15PDAWW GABINETE**

1	33002124	COVER, TOP (WHT) (S/P)
2	33001997	PLUG, HOLE (S/P)
3	22001883	SCREW (S/P)
4	33001999	BRACKET, TOP COVER (RT) (S/P)
4	33001998	BRACKET, TOP COVER (LT) (S/P)
5	22001995	SCREW (S/P)
6	33001826	<b>DESCONTINUADO</b>
7	22001995	SCREW (S/P)
8	33001245	<b>DESCONTINUADO</b>
9	313363	WASHER (S/P)
10	22001502	FASTENER, U-NUT (S/P)
11	22003646	CABINET ASSY. (WHT. AS PK) (S/P)
11	33002126	CABINET (WHT) (S/P)
12	33001980	CLIP, ACCESS PANEL (S/P)
13	Y310632	SCREW (S/P)
13	33002002	BRACKET, RELAY (UPR) (S/P)
13	Y313561	<b>DESCONTINUADO</b>
14	W10133335	RELAY, SPST 24VDC
14	Y251119	SCREW (S/P)
15	213007	SCREW, CABINET (S/P)
16	33001991	BOLT, CARRIAGE (S/P)

**MLG15PDAWW GABINETE**

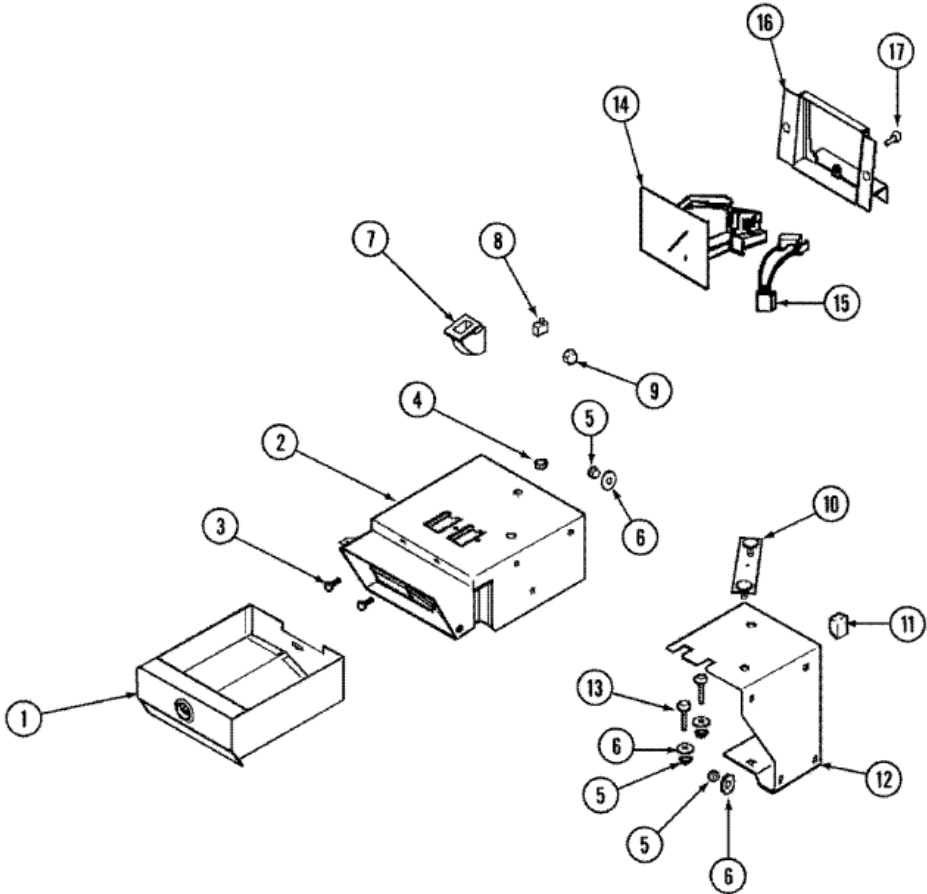




**MLG15PDAWW GABINETE**

1	22003639	<b>DESCONTINUADO</b>
1	Y310376	CLIP, WIRE HARNESS (S/P)
1	33002126	CABINET ASSY. (WHT) (S/P)
2	33001827	<b>DESCONTINUADO</b>
3	33001795	COVER, TERMINAL BLOCK (S/P)
4	22001995	SCREW (S/P)
5	22001995	SCREW (S/P)
6	210186	<b>DESCONTINUADO</b>
7	22003062	CORD, POWER (S/P)
8	2-11881	GROMMET, CORD

**MLG15PDAWW DEPOSITO DE MONEDAS**



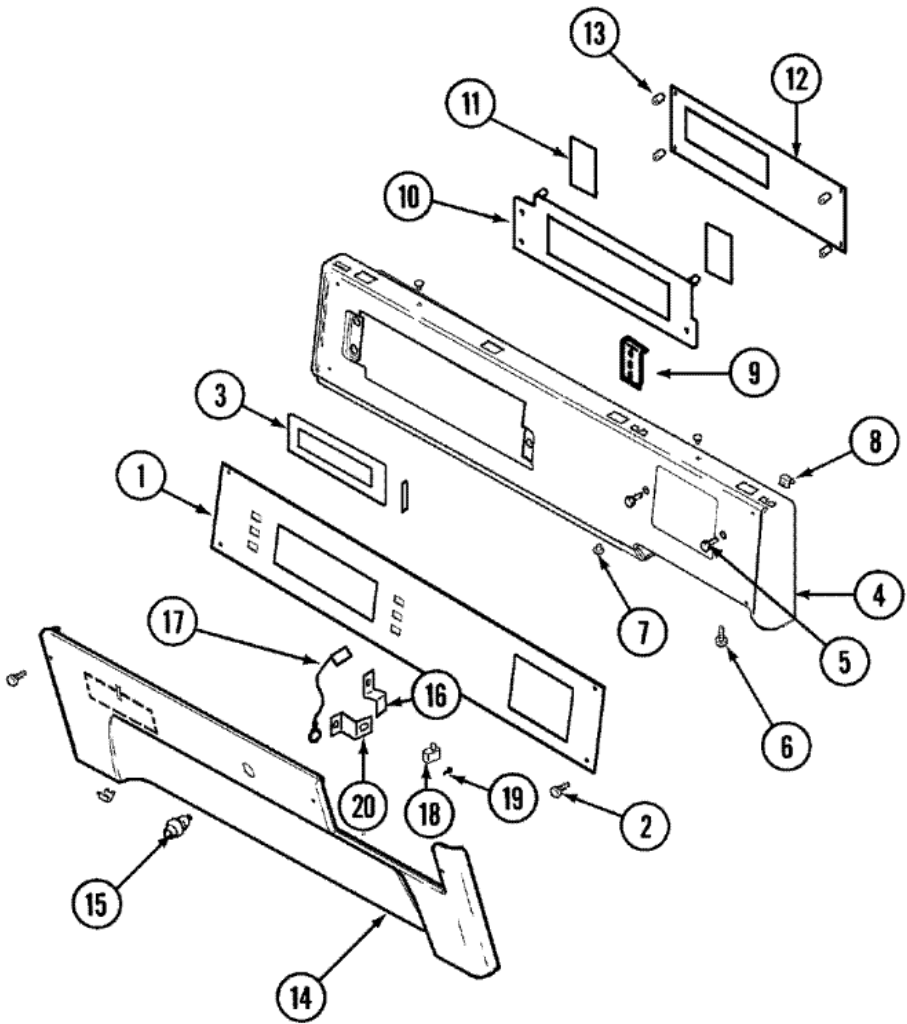


## MLG15PDAWW DEPOSITO DE MONEDAS

1	Y33001983	BOX, COIN (WHT) (S/P)
2	Y33001986	VAULT, COIN (WHT) (S/P)
3	212707	SCREW (S/P)
4	Y052740	NUT (S/P)
5	Y052734	NUT (S/P)
6	211629	WASHER (S/P)
6	312535	WASHER, ROLLER SHAFT (S/P)
7	314635	COIN CHUTE (S/P)
8	33001250	SWITCH, SENSOR (S/P)
9	211782	CAGE NUT (S/P)
10	22001810	<b>DESCONTINUADO</b>
11	33001989	RETAINER, WIRE (S/P)
12	33001990	BRACKET, MOUNTING VAULT (S/P)
13	33001991	BOLT, CARRIAGE (S/P)
14	22004112	DROP ASSY., COIN (S/P)
14	22002144	SINGLE FACEPLATE (S/P)
14	216200	BUTTON, RETURN (S/P)
15	314665	SCREW (S/P)
15	33001985	SWITCH, OPTIC (S/P)
16	33001992	BRACKET, COIN DROP MOUNT.(WHT) (S/P)
17	Y313561	<b>DESCONTINUADO</b>
17	910181	LOCK WASHER (S/P)



**MLG15PDAWW TABLERO**

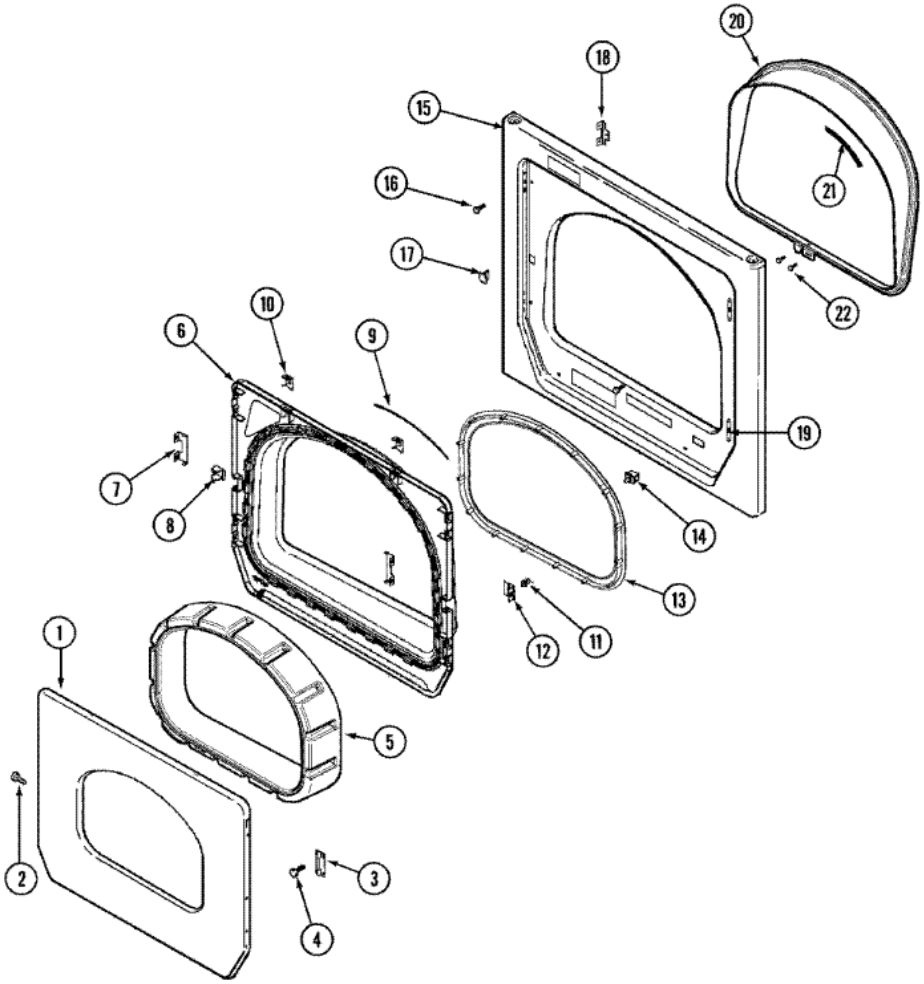




**MLG15PDAWW TABLERO**

1	33002686	OVERLAY, CONTROL PANEL (S/P)
2	215506	SCREW, TORX (S/P)
3	33001209	COVER, DISPLAY (LOWER) (S/P)
4	33002003	FASTENER CLIP, CONTROL PANEL (S/P)
4	22002457	PANEL, CONTROL (WHT) (S/P)
5	910186	SCREW (S/P)
5	22002062	SCREW (S/P)
6	215506	SCREW, TORX (S/P)
7	33002342	PLUG, SIGHT HOLE (WHT) (S/P)
8	33001977	FASTENER, CONTROL PANEL (S/P)
9	33001156	BUTTON (S/P)
10	33001201	<b>DESCONTINUADO</b>
11	33002449	SWITCH, MEMBRANE (S/P)
12	33002605	BOARD ASSY., CONTROL (S/P)
13	912077	LOCKNUT (S/P)
13	33001204	<b>DESCONTINUADO</b>
14	33001978	PANEL, ACCESS (WHT) (S/P)
14	33002004	CLIP, FASTENER (S/P)
14	215506	SCREW, TORX (S/P)
14	33001980	CLIP, ACCESS PANEL (S/P)
15	Y206081	LOCK FOR ACCESS DOOR (S/P)
16	213750	LOCKING CAM (S/P)
17	33001981	WIRE, GROUND (S/P)
18	208042	SWITCH, SENSOR (S/P)
19	912012	SCREW (S/P)
20	33001982	<b>DESCONTINUADO</b>
21	33002052	WIRE HARNESS, MAIN (UPR) (S/P)
22	33002060	BRACKET, SECURITY (S/P)
23	22001995	SCREW (S/P)
23	33002045	NUT, SECURITY (S/P)

**MLG15PDAWW PUERTA**





## MLG15PDAWW PUERTA

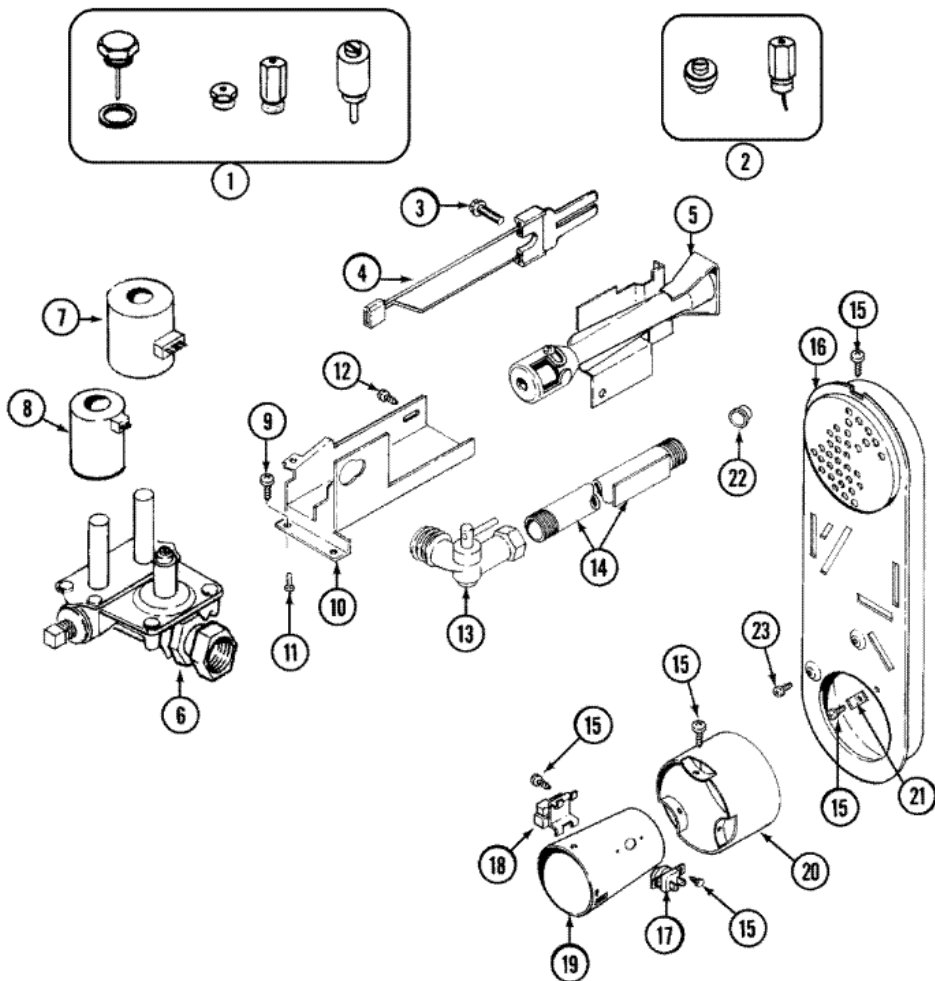
1	33002015	DOOR, OUTER (WHT) (S/P)
2	22002063	SCREW No.8-18AB WAFER HD (S/P)
3	33002017	HINGE, DOOR (S/P)
4	22002062	SCREW (S/P)
5	33002780	TUNNEL (WHT) (S/P)
5	22002300	SCREW (S/P)
6	33002020	DOOR, INNER (WHT) (S/P)
7	22002038	CLIP, DOOR (DOUBLE) (S/P)
8	33001763	PLUG, INNER DOOR (S/P)
9	33002094	SEAL, DOOR (S/P)
10	22002039	CLIP, DOOR (SINGLE) (S/P)
11	33001761	STRIKE, DOOR (MALE) (S/P)
12	33001793	BRACKET, STRIKE (S/P)
13	33002607	LENS (S/P)
14	33002038	SWITCH, DOOR (LWR) (S/P)
15	33002081	PANEL, FRONT (WHT) (S/P)
15	33002051	SCREW, TORX (S/P)
15	33002936	NAMEPLATE (S/P)
16	33001486	PANEL, FASTENER (S/P)
17	306436	CATCH, DOOR (W/PLUG)
18	33002025	TWIN SPEEDNUT (S/P)
19	33001175	COVER, HINGE HOLE (WHT) (S/P)
20	33002026	EXTENSION, TUMBLER FRONT (S/P)
21	33001767	SEAL, SHROUD (S/P)
22	33001855	SCREW (HEX HEAD) (S/P)

Distribuidor Autorizado

SurteRápido.com

Venta de Refacciones  
Electrodomesticas

# MLG15PDAWW QUEMADOR





## MLG15PDAWW QUEMADOR

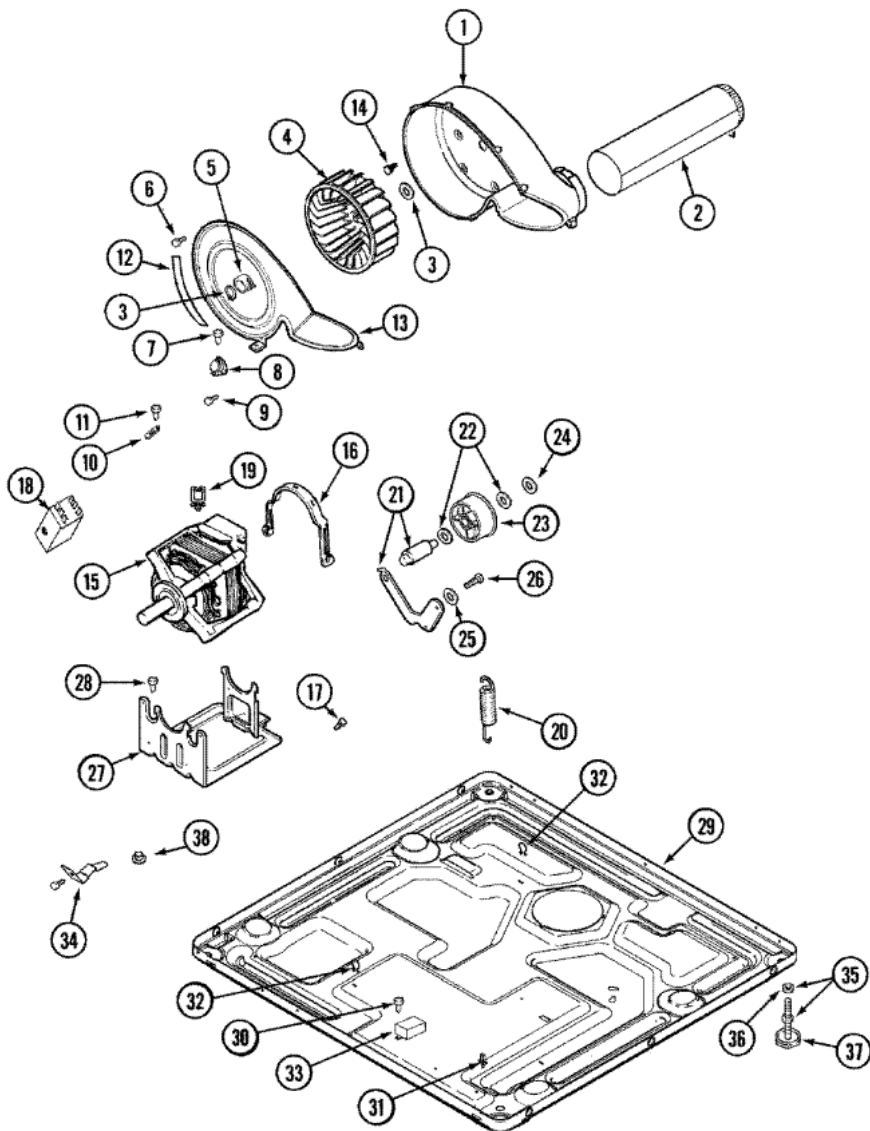
1	33002926	CONVERSION KIT (NATURAL TO LP) (S/P)
2	33002925	CONVERSION KIT (LP TO NATURAL) (S/P)
3	304971	SCREW (S/P)
4	WE4X750	IGNITER ASSY, GAS VALVE
5	33002793	BURNER ASSY.
6	308345	VALVE, GAS (S/P)
6	33002056	PLUG, HOLE (S/P)
7	279834	COIL, HOLDING & BOOSTER
8	3-6105	COIL, SECONDARY
9	Y313561	<b>DESCONTINUADO</b>
10	33002055	<b>DESCONTINUADO</b>
10	33001834	<b>DESCONTINUADO</b>
11	314082	SCREW (S/P)
11	314568	SCREW-GAS VALVE TO BRACKET (S/P)
12	22001995	SCREW (S/P)
13	306086	ANGLE SHUT OFF FOR GAS VALV (S/P)
14	33001735	PIPE & BRACKET ASSY. (S/P)
15	211294	SCREW (S/P)
16	33002952	<b>DESCONTINUADO</b>
17	305169	THERMOSTAT, HI-LIMIT GAS
18	338906	SENSOR, RADIANT
19	33001835	CONE ASSY., COMBUSTION (S/P)
20	Y303841	CONE, EXTENSION (COMBUSTION) (S/P)
21	Y312890	RETAINER, HEATER CHAMBER (S/P)
22	33001693	CAP, GAS PIPE (S/P)
23	22001996	SCREW (S/P)

Distribuidor Autorizado

**SurteRápido.com**

Venta de Refacciones  
Electrodomesticas

## MLG15PDAWW BASE





## MLG15PDAWW BASE

1	33001789	HOUSING, BLOWER (S/P)
2	33001800	DUCT ASSY., EXHAUST (S/P)
2	22001995	SCREW (S/P)
3	410233	RING, RETAINING (S/P)
4	33001790	WHEEL, BLOWER
5	312967	CLAMP, BLOWER HOUSING
6	33001855	SCREW (HEX HEAD) (S/P)
7	Y313561	<b>DESCONTINUADO</b>
8	33303391	THERMOSTAT, CYCLING (S/P)
8	307208	THERMISTOR, TEMP. CONTROL (S/P)
9	22001996	SCREW (S/P)
10	33001762	FUSE, THERMAL (W` BRACKET)
11	314848	SCREW
12	33001772	<b>DESCONTINUADO</b>
13	33002711	COVER, BLOWER HOUSING (S/P)
14	314818	SCREW (S/P)
15	33002478	MOTOR
16	Y015825	CLIP, MOTOR (S/P)
17	910343	SCREW, GROUND WIRE (S/P)
18	33002478	SWITCH, MOTOR
19	74006784	CLIP, WIRE HARNESS (S/P)
20	33002157	GROMMET (S/P)
20	33002459	SPRING, IDLER (S/P)
20	33002461	PLUG FOR SPRING (S/P)
21	33001840	IDLER ARM & SHAFT ASSY.
22	Y312527	WASHER, IDLER SHAFT (QTY-1) (S/P)
23	33001783	BEARING, IDLER ASSEMBLY
24	312958	RETAINING RING, IDLER SHAFT (S/P)
25	315772	SLEEVE, IDLER ARM (S/P)
26	Y014874	SCREW (S/P)
27	Y313561	<b>DESCONTINUADO</b>
27	33002817	SUPPORT, MOTOR (S/P)
28	Y313561	<b>DESCONTINUADO</b>
29	33002048	FASTENER, PUSH (S/P)
29	33002050	PROTECTOR, HARNESS (S/P)



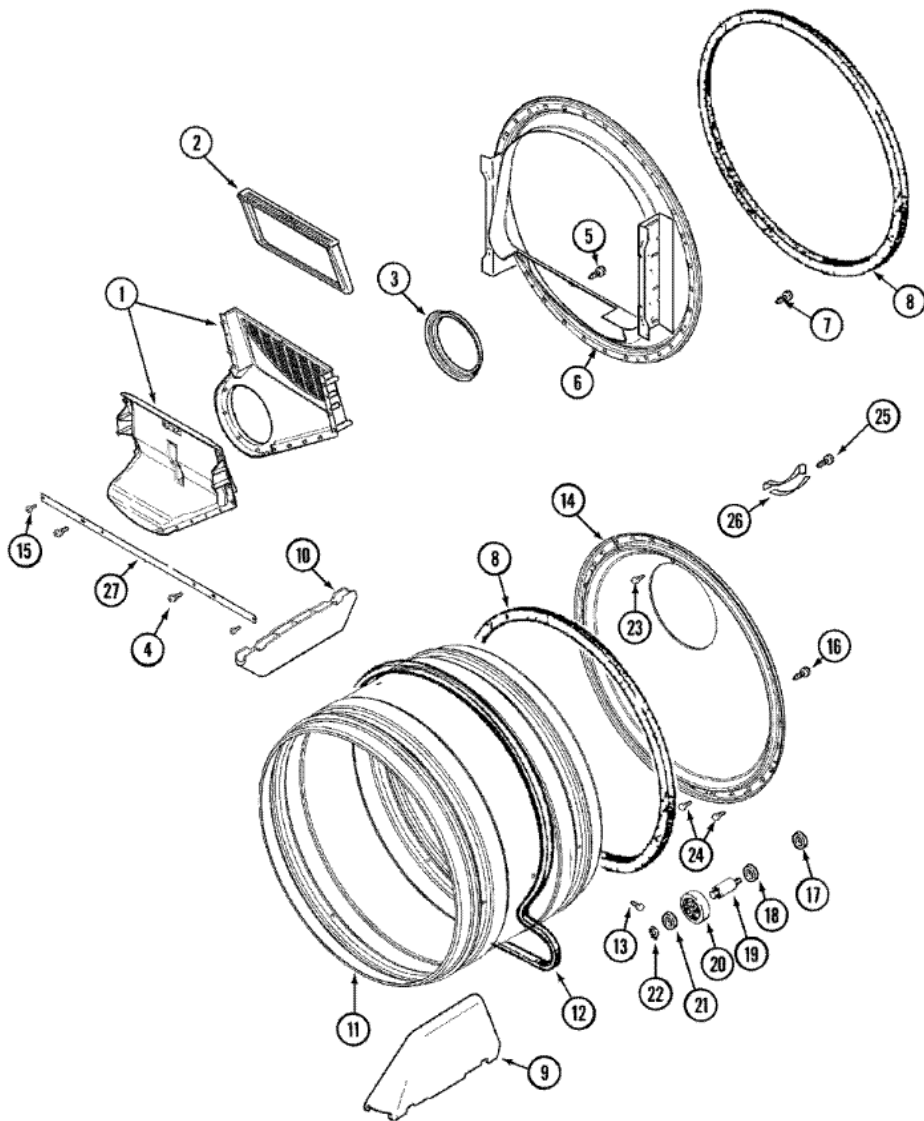
29	33002467	BASE (UPR) (S/P)
29	33002049	STRIP, GROMMET (S/P)
29	33002465	<b>DESCONTINUADO</b>
29	314568	SCREW-GAS VALVE TO BRACKET (S/P)
30	211294	SCREW (S/P)
31	22003298	RETAINER, WIRE (S/P)
32	410490	SPRING, WIRE HARNESS (S/P)
33	Y313559	SCREW (S/P)
33	33001205	TRANSFORMER
33	315218	SHIELD, XFMER (S/P)
34	22001995	SCREW (S/P)
34	22002239	CLIP, LOWER FRONT PANEL (S/P)
34	22002244	CLIP, GROUNDING (S/P)
34	Y310632	SCREW (S/P)
34	33002757	BRACKET (RT) (S/P)
34	33002758	BRACKET (LT) (S/P)
35	22003544	ADJUSTABLE LEG & NUT
36	Y052740	NUT (S/P)
37	210684	FOOT, RUBBER
38	33002044	GUIDE (S/P)

Distribuidor Autorizado

**SurteRápido.com**

Venta de Refacciones  
Electrodomesticas

## MLG15PDAWW TAMBOR





**MLG15PDAWW TAMBOR**

1	33001799	OUTLET DUCT ASSEMBLY
2	33002790	FILTER, LINT
3	33002560	SEAL, BLOWER (S/P)
4	33001768	SCREW, SHROUD (S/P)
5	312311	<b>DESCONTINUADO</b>
6	33001802	FRONT, TUMBLER (W/SEAL)
7	33001855	SCREW (HEX HEAD) (S/P)
8	33001807	SEAL, TUMBLER
9	33002032	BAFFLE (TALL)
10	33001755	BAFFLE (SHORT)
11	33001889	TUMBLER
12	33002535	BELT, TUMBLER
13	33001788	SCREW, BAFFLE (S/P)
14	33001801	BACK, TUMBLER (W/SEAL) (S/P)
15	22001995	SCREW (S/P)
16	22001995	SCREW (S/P)
17	33001443	NUT, HEX (ROLLER SHAFT) (S/P)
18	312535	WASHER, SPRING (ROLLER SHAFT) (S/P)
19	Y312948	SHAFT, TUMBLER ROLLER (S/P)
20	12001541	BEARING & ROLLER ASSEMBLY
21	312535	WASHER, ROLLER SHAFT (S/P)
22	410233	RING, RETAINING (S/P)
23	210932	SCREW, No.8 X 9/16 CTSK (S/P)
24	22001996	SCREW (S/P)
25	210720	RIVET (S/P)
26	306508	TUMBLER BEARING KIT
27	33002039	BRACE, TUMBLER FRONT (S/P)