

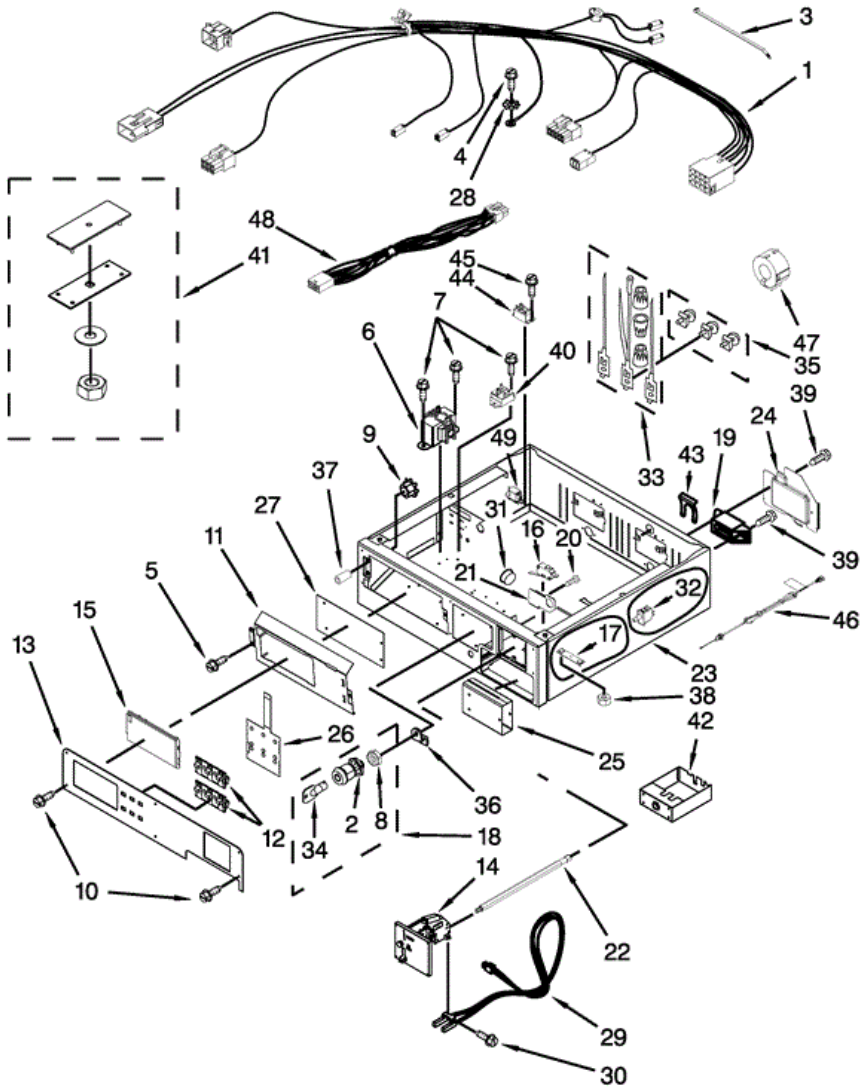


MLG24PDAGW0 GABINETE

| | | |
|----|-----------|-------------------------------|
| 1 | W10184546 | TECH SHEET |
| 1 | W10184555 | INSTALLATION INSTRUCTIONS |
| 2 | W10223793 | SCREW |
| 3 | 8564011 | BRACKET, SWITCH |
| 4 | 3391846 | CLIP, FRONT PANEL |
| 5 | 8564010 | ASSEMBLY, SWITCH AND ACTUATOR |
| 6 | W10080540 | SCREW |
| 7 | 8310656 | CABINET (WHITE) |
| 8 | 3392100 | FOOT, DRYER |
| 9 | 660658 | CLAMP, MOTOR |
| 10 | 3387374 | SPRING, IDLER |
| 11 | 3389420 | SCREW |
| 13 | W10141380 | ASSEMBLY, IDLER |
| 14 | 3400077 | SCREW |
| 16 | W10234293 | UPPER FRONT PANEL |
| 17 | 98997 | CLIP |
| 19 | 297092 | CLIP |
| 24 | 3394331 | PLATE, COVER |
| 25 | W10080240 | STRIKE, DOOR |
| 27 | W10142402 | ASSEMBLY, MOTOR (50 HZ.) |
| 28 | W10167237 | PULLEY |
| 29 | 3393657 | RESTRAINER, BELT |
| 30 | W10131172 | BELT, DRIVE |
| 31 | 3390902 | CLIP, DOOR HINGE |
| 32 | W10135695 | BRACKET, MOTOR |
| 33 | W10223794 | WASHER |
| 34 | 693152 | BUMPER |
| 35 | 279731 | ELBOW (4`) |
| 36 | 49252 | MULTIVENT PLUG (WHITE) |
| 37 | 488729 | SCREW |
| 38 | W10231861 | JUMPER, DOOR SWITCH |
| 40 | 697215 | PANEL, TOE (WHITE) |
| 41 | W10237959 | SWITCH, DOOR |

| | | |
|----|-----------|---|
| 42 | 3400934 | ASSEMBLY, SCREW AND INSULATOR |
| 43 | W10080840 | SCREW |
| 44 | 3387242 | SEAL, FRONT PANEL |
| 46 | 3388229 | RETAINER |
| 51 | W10080700 | SCREW |
| 52 | W10111036 | HARNESS (LOWER) |
| 54 | 8318396 | SEAL, FOAM |
| 55 | 3405160 | BELT, DRIVE (BLOWER WHEEL) |
| 56 | 3977633 | TRANSFORMER |
| 57 | W10080740 | SCREW |
| 58 | W10190549 | JUMPER, TRANSFORMER |
| 59 | W10259136 | ASSEMBLY, SWITCH |
| 60 | W10212660 | MOTOR, SOUND PAD |
| 61 | W10096909 | BURNER ASSEMBLY 50 HZ. (TYPE 1 AND 2) |
| 62 | W10080730 | SCREW |
| 63 | W10080320 | SCREW |
| 64 | W10080630 | SCREW |
| 65 | 8281918 | VALVE, GAS 50 HZ. (COMPLETE) |
| 66 | 686590 | IGNITOR |
| 67 | 3391943 | BOOT, FOOT |
| 68 | 279818 | DRYER EXHAUST KIT (FOR SIDE & BOTTOM VENTING) |

MLG24PDAGW0 TABLERO





MLG24PDAGW0 TABLERO

| | | |
|----|-----------|-------------------------------|
| 1 | W10169697 | HARNESS, COLLAR |
| 2 | W10139762 | NUT, HEX |
| 3 | 8529895 | TIE, CABLE |
| 4 | 697776 | SCREW, GROUNDING |
| 5 | W10140652 | SCREW |
| 6 | W10237957 | TRANSFORMER 120 - 22.5 VAC |
| 7 | W10080820 | SCREW |
| 8 | W10177242 | NUT, HEX |
| 9 | W10139046 | NUT |
| 10 | W10131119 | SCREW M4X13 |
| 11 | W10163677 | PLATE, CONTROL MOUNTING |
| 12 | W10131113 | BUTTON, PUSH |
| 13 | W10135192 | FACIA CONSOLE |
| 14 | W10133242 | ASSEMBLY, SINGLE COIN DROP |
| 15 | W10133268 | COVER, DISPLAY |
| 16 | W10133281 | SWITCH, SERVICE ACCESS |
| 17 | W10159907 | ASSEMBLY, MOUNTING STRAP WELD |
| 18 | W10133264 | ASSEMBLY, LOCK ACCESS DOOR |
| 19 | 3397659 | BLOCK, TERMINAL |
| 20 | 3400408 | SCREW |
| 21 | W10160652 | BRACKET-SWITCH |
| 22 | W10137319 | BOLT, HEX BAR |
| 23 | W10159849 | COLLAR |
| 24 | 3396795 | COVER, TERMINAL BLOCK |
| 25 | W10133258 | ASSEMBLY, VAULT BODY |
| 26 | W10133278 | MEMBRANE SWITCH ASSEMBLY |
| 27 | W10167611 | CONTROL BOARD |
| 28 | 3390443 | RETAINER, TERMINAL |
| 29 | W10155927 | COIN-OPTIC SENSOR ASSEMBLY |
| 30 | W10142655 | SCREW |
| 31 | W10165297 | SNAP BUSHING |
| 32 | W10133289 | SWITCH, VAULT & SERVICE DOOR |
| 33 | 279318 | TERMINAL, BRASS AND TINNED |

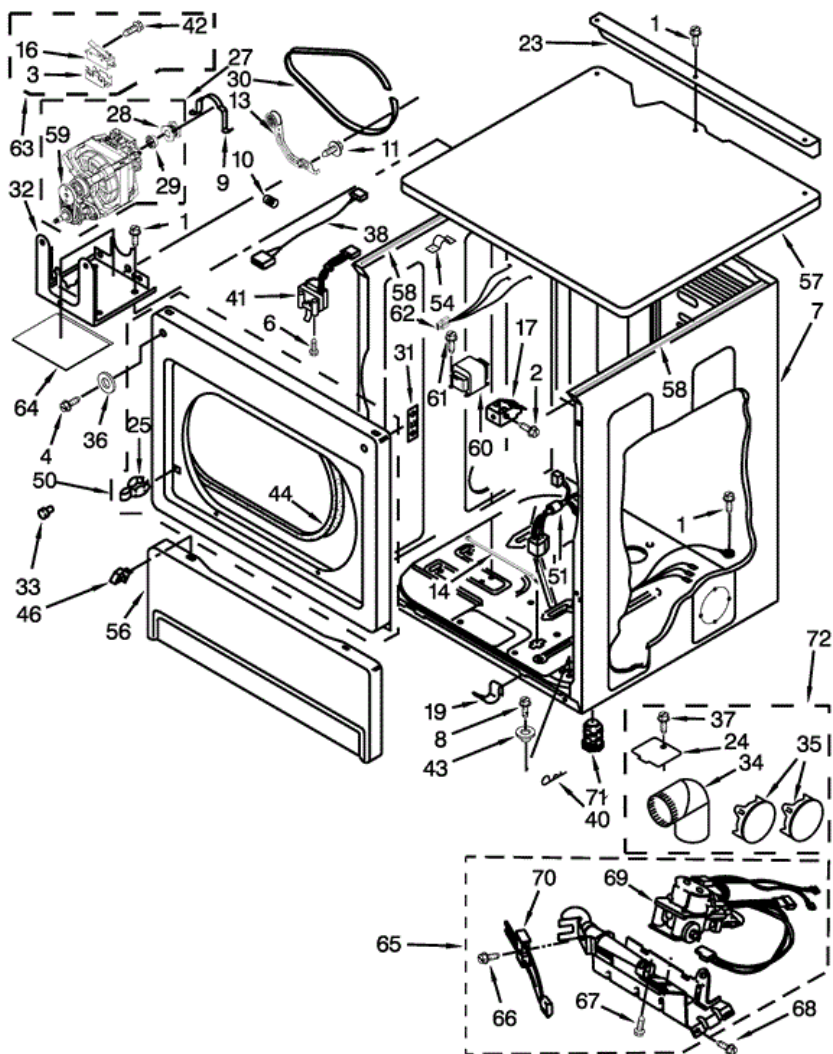
| | | |
|----|-----------|--|
| 34 | W10140858 | KEY, ACCESS DOOR |
| 35 | 279393 | SCREW KIT, TERMINAL BLOCK |
| 36 | W10233256 | CAM, LOCKING IEC |
| 37 | W10133514 | STANDOFF, CIRCUIT BOARD |
| 38 | W10080190 | NUT, HEX |
| 39 | W10080740 | SCREW |
| 40 | W10133335 | RELAY, MOTOR |
| 41 | W10169579 | KIT-COIN BOX, SECURITY (TO BE SERVICED AS A KIT) |
| 42 | W10133248 | BOX, COIN |
| 43 | 694415 | CLIP, STRAIN RELIEF |
| 44 | W10258680 | RELAY, HEATER |
| 45 | W10080700 | SCREW |
| 46 | W10167642 | CORD, POWER |
| 47 | 3407172 | CHOKE, HARNESS |
| 48 | W10111027 | JUMPER, TRANSFORMER |
| 49 | W10189038 | RFI FILTER CPL (EXPORT) |
| NI | W10153836 | 10A CORD LOCK |
| NI | W10223804 | AUSTRALIAN |
| NI | W10223807 | BRITISH |
| NI | W10223809 | EUROPEAN |

Distribuidor Autorizado

SurteRápido.com

Venta de Refacciones
Electrodomesticas

MLG24PDAGW0 GABINETE





MLG24PDAGW0 GABINETE

| | | |
|----|-----------|-------------------------------|
| 1 | W10080700 | SCREW |
| 2 | W10223793 | SCREW |
| 3 | 8564011 | BRACKET, SWITCH |
| 4 | 3400077 | SCREW |
| 6 | W10080540 | SCREW |
| 7 | 3978859 | CABINET (UPPER) |
| 8 | W10223796 | SCREW |
| 9 | 660658 | CLAMP, MOTOR |
| 10 | 3387374 | SPRING, IDLER |
| 11 | 3389420 | SCREW |
| 13 | W10141380 | ASSEMBLY, IDLER |
| 14 | 8529895 | TIE, CABLE |
| 16 | 8564010 | ASSEMBLY, SWITCH AND ACTUATOR |
| 17 | 3391846 | CLIP, FRONT PANEL |
| 19 | 297092 | CLIP |
| 23 | 3979115 | BRACKET, ANGLE |
| 24 | 3394331 | PLATE, COVER |
| 25 | W10080240 | STRIKE, DOOR |
| 27 | W10142402 | ASSEMBLY, MOTOR (50 HZ.) |
| 28 | W10167237 | PULLEY |
| 29 | 3393657 | RESTRAINER, BELT |
| 30 | W10131172 | BELT, DRIVE |
| 31 | 3390902 | CLIP, DOOR HINGE |
| 32 | W10135695 | BRACKET, MOTOR |
| 33 | 693152 | BUMPER |
| 34 | 279731 | ELBOW (4`) |
| 35 | 49252 | MULTIVENT PLUG (WHITE) |
| 36 | W10223794 | WASHER |
| 37 | 488729 | SCREW |
| 38 | W10231861 | JUMPER, DOOR SWITCH |
| 40 | W10117347 | COTTER PIN |
| 41 | W10237959 | SWITCH, DOOR |
| 42 | 3400934 | ASSEMBLY, SCREW AND INSULATOR |

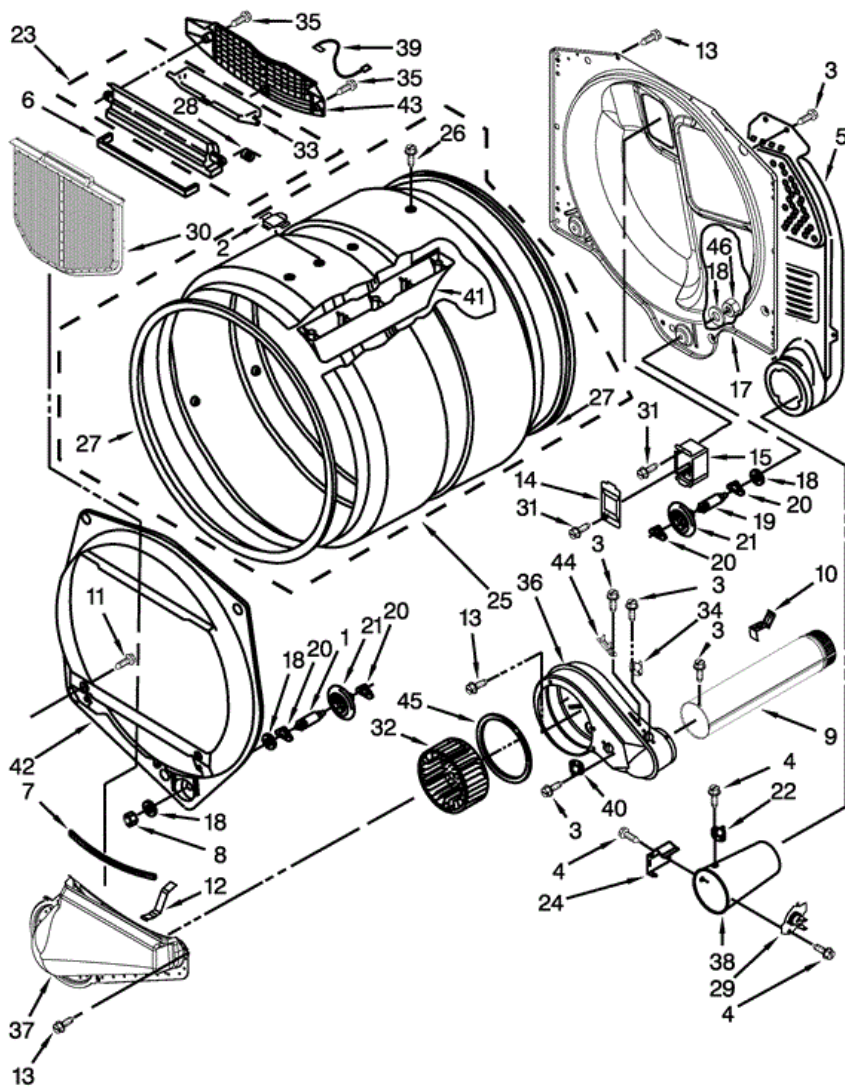
| | | |
|----|-----------|---|
| 43 | 3389233 | BUSHING |
| 44 | 3387242 | SEAL, FRONT PANEL |
| 46 | 3388229 | RETAINER |
| 50 | W10234293 | UPPER FRONT PANEL |
| 51 | W10111035 | HARNESS (UPPER) |
| 54 | 98997 | CLIP |
| 56 | 697215 | PANEL, TOE (WHITE) |
| 57 | 3389351 | TOP (WHITE) |
| 58 | 8318396 | SEAL, FOAM |
| 59 | 3405160 | BELT, DRIVE (BLOWER WHEEL) |
| 60 | 3977633 | TRANSFORMER |
| 61 | W10080740 | SCREW |
| 62 | W10190549 | JUMPER, TRANSFORMER |
| 63 | W10259136 | ASSEMBLY, SWITCH |
| 64 | W10212660 | MOTOR, SOUND PAD |
| 65 | W10096909 | BURNER ASSEMBLY 50 HZ. (TYPE 1 AND 2) |
| 66 | W10080730 | SCREW |
| 67 | W10080320 | SCREW |
| 68 | W10080630 | SCREW |
| 69 | 8281918 | VALVE, GAS 50 HZ. (COMPLETE) |
| 70 | 686590 | IGNITOR |
| 71 | 689172 | FOOT, DRYER PLASTIC |
| 72 | 279818 | DRYER EXHAUST KIT (FOR SIDE & BOTTOM VENTING) |

Distribuidor Autorizado

SurteRápido.com

Venta de Refacciones
Electrodomesticas

MLG24PDAGW0 TAMBOR



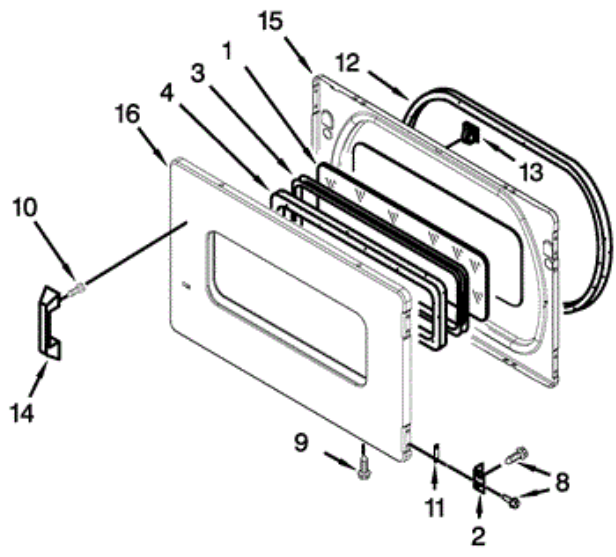
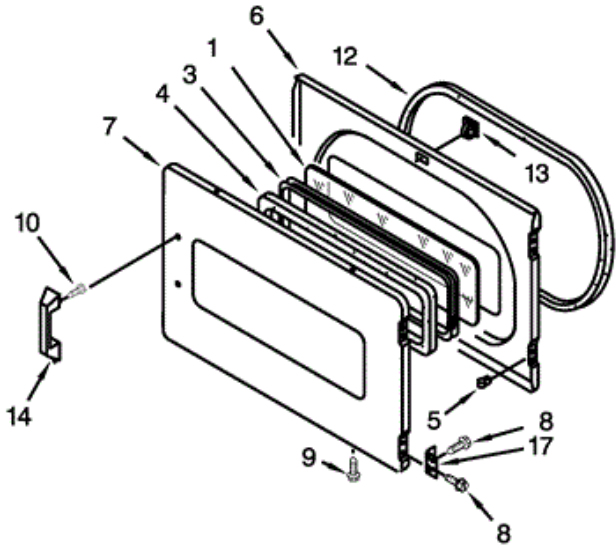


MLG24PDAGW0 TAMBOR

| | | |
|----|-----------|----------------------------|
| 1 | 8575324 | SHAFT, R.H. THREAD |
| 2 | W10128544 | CAP, PLUG |
| 3 | W10080820 | SCREW |
| 4 | W10080280 | SCREW |
| 5 | 3394346 | ASSEMBLY, AIR DUCT |
| 6 | 697813 | SEAL, OUTLET HOUSING |
| 7 | 697814 | SEAL, DRUM FRONT |
| 8 | W10080210 | NUT, HEX |
| 9 | W10121167 | PIPE, EXHAUST |
| 10 | 8572105 | CLIP, EXHAUST |
| 11 | W10080590 | SCREW |
| 12 | 8066208 | CLIP-SPRING |
| 13 | W10080700 | SCREW |
| 14 | 3402841 | LENS, DRUM LIGHT |
| 15 | 8578825 | BRACKET, DRUM LIGHT |
| 17 | 8520836 | BULKHEAD, REAR |
| 18 | W10080960 | WASHER, SUPPORT |
| 19 | 8575325 | SHAFT, L.H. THREAD |
| 20 | 690997 | WASHER, TRI RING |
| 21 | 8536973 | ROLLER, SUPPORT |
| 22 | W10206703 | THERMOSTAT, HIGH LIMIT |
| 23 | W10181928 | ASSEMBLY, OUTLET HOUSING |
| 24 | 338906 | SENSOR, RADIANT |
| 25 | 8528998 | DRUM ASSEMBLY COMPLETE |
| 26 | W10219342 | SCREW |
| 27 | W10166807 | SEAL, DRUM FRONT |
| 28 | 3394986 | SPRING, LINT SCREEN DOOR |
| 29 | W10181549 | CUT-OFF, THERMAL |
| 30 | W10049370 | SCREEN, LINT |
| 31 | 487909 | SCREW |
| 32 | W10168564 | WHEEL, BLOWER |
| 33 | W10181925 | DOOR, LINT SCREEN |
| 34 | W10194158 | THERMOSTAT, CYCLING (140F) |

| | | |
|----|-----------|-------------------------------|
| 35 | 3387230 | SCREW |
| 36 | W10119255 | HOUSING, BLOWER |
| 37 | 8066168 | ASSEMBLY, LINT DUCT |
| 38 | 8573824 | FUNNEL, BURNER |
| 39 | 3401707 | JUMPER, WIRE |
| 40 | W10206206 | THERMOSTAT, ELECTRONIC (155F) |
| 41 | 697693 | BAFFLE, DRUM |
| 42 | 697557 | BULKHEAD, FRONT |
| 43 | W10181926 | GRILLE, OUTLET |
| 44 | 3392519 | FUSE, THERMAL (91 C) |
| 45 | W10181918 | SEAL, PLATE COVER |
| 46 | W10080190 | NUT, HEX |

MLG24PDAGW0 PUERTA

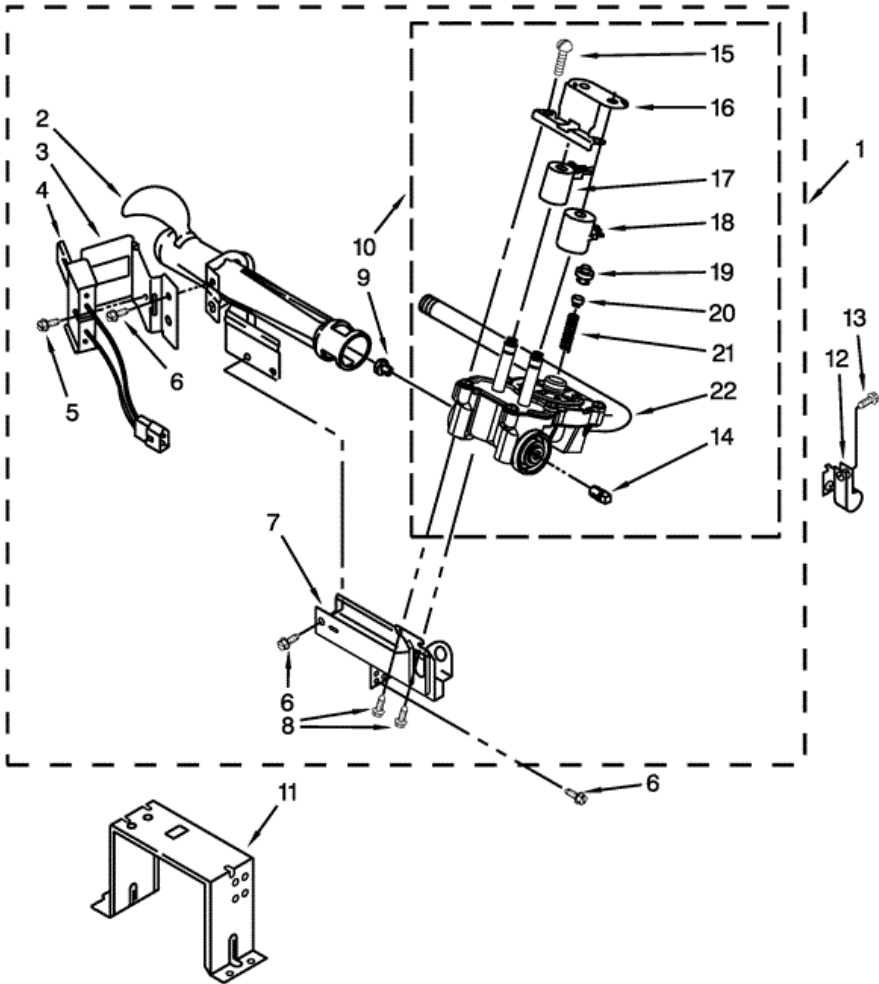




MLG24PDAGW0 PUERTA

| | | |
|----|-----------|--------------------------------|
| 1 | 3392918 | WINDOW |
| 2 | W10279703 | ASSEMBLY, HINGE & PIN (SILVER) |
| 3 | 3392914 | FRAME, WINDOW |
| 4 | 3392915 | GASKET, WINDOW |
| 5 | 3389249 | NUT, ``U`` |
| 6 | W10205622 | DOOR, INNER (WHITE) |
| 7 | W10205649 | DOOR, OUTER (WHITE) |
| 8 | W10080310 | SCREW |
| 9 | W10080300 | SCREW |
| 10 | W10080840 | SCREW |
| 11 | W10191265 | PLUG, HINGE (WHITE) |
| 12 | 3390735 | SEAL, DOOR |
| 13 | 3392538 | ASSEMBLY, DOOR CATCH |
| 14 | W10213202 | HANDLE, DOOR |
| 15 | W10323063 | DOOR, INNER (WHITE) |
| 16 | W10322548 | DOOR, OUTER (WHITE) |
| 17 | 3389247 | ASSEMBLY, HINGE & PIN (SILVER) |

MLG24PDAGW0 QUEMADOR





MLG24PDAGW0 QUEMADOR

| | | |
|----|-----------|---------------------------------------|
| 1 | W10096909 | BURNER ASSEMBLY 50 HZ. (TYPE 1 AND 2) |
| 2 | 688617 | TUBE, BURNER |
| 3 | 694298 | BRACKET, IGNITOR |
| 4 | 686590 | IGNITOR |
| 5 | 3393909 | SCREW |
| 6 | 343641 | SCREW |
| 7 | 3389871 | BASE, BURNER |
| 8 | 3387057 | SCREW |
| 9 | 234660 | ORIFICE, BURNER (TYPE 1 (NATURAL)) |
| 9 | 234868 | ORIFICE, BURNER (TYPE 4 (PROPANE)) |
| 10 | 8281918 | VALVE, GAS 50 HZ. (COMPLETE) |
| 11 | 3389889 | BRACKET, SUPPORT |
| 12 | 3978776 | BRACKET, GAS PIPE |
| 13 | 3390647 | SCREW |
| 14 | W10295523 | PIPE PLUG |
| 15 | 694421 | SCREW, COIL |
| 16 | 694538 | BRACKET, COIL |
| 17 | 695297 | COIL, 50 HZ. |
| 18 | 695298 | COIL, 50 HZ. (SPLIT) |
| 19 | 694424 | LEAK, LIMITER |
| 20 | 694423 | SCREW, REGULATOR ADJUSTMENT |
| 21 | 694422 | SPRING, REGULATOR |
| 22 | W10097610 | PIPE, GAS SUPPLY |
| NI | N/P | FOLLOWING PARTS NOT ILLUSTRATED, |
| NI | W10233219 | CONVERSION KIT, LP |