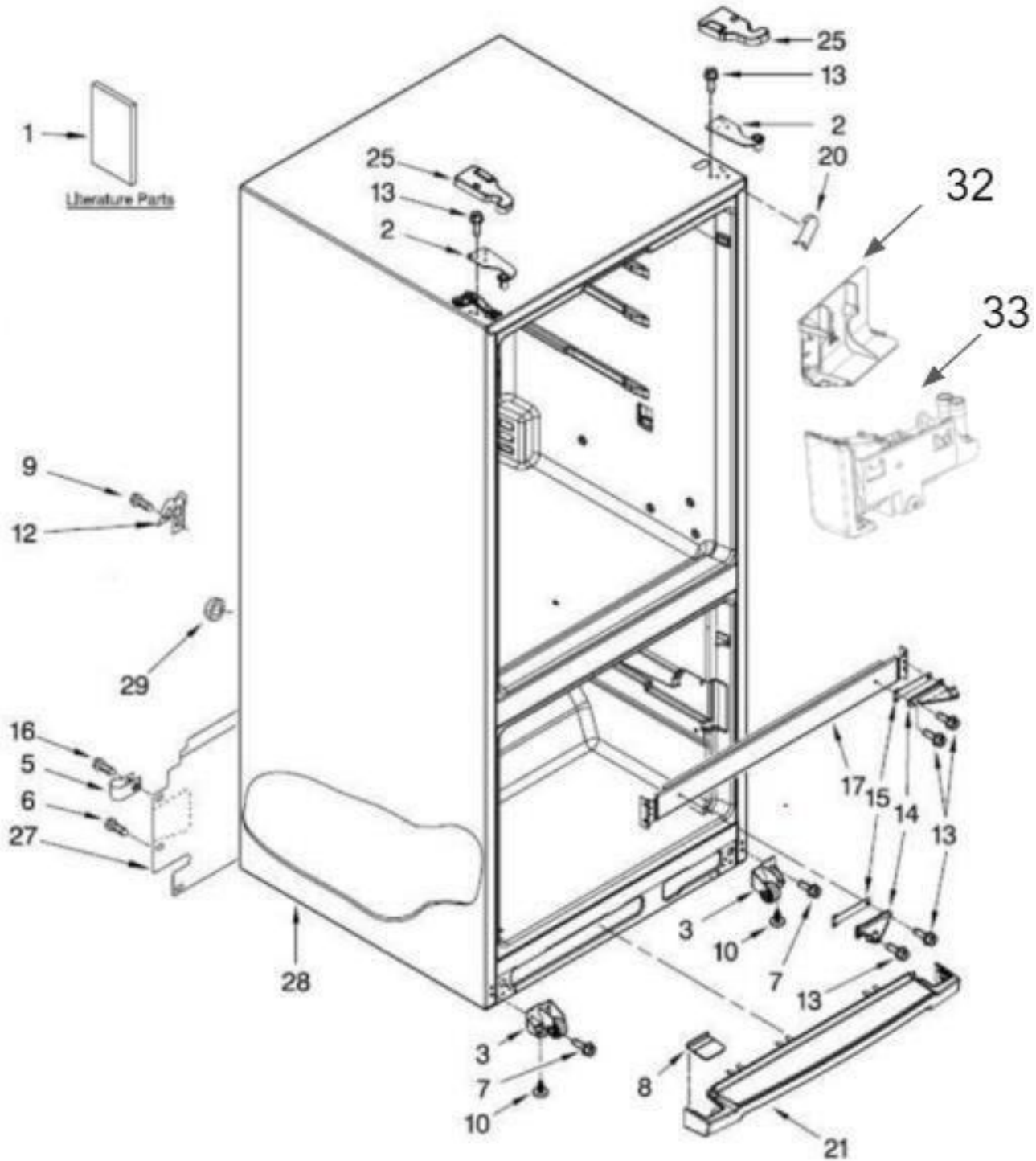


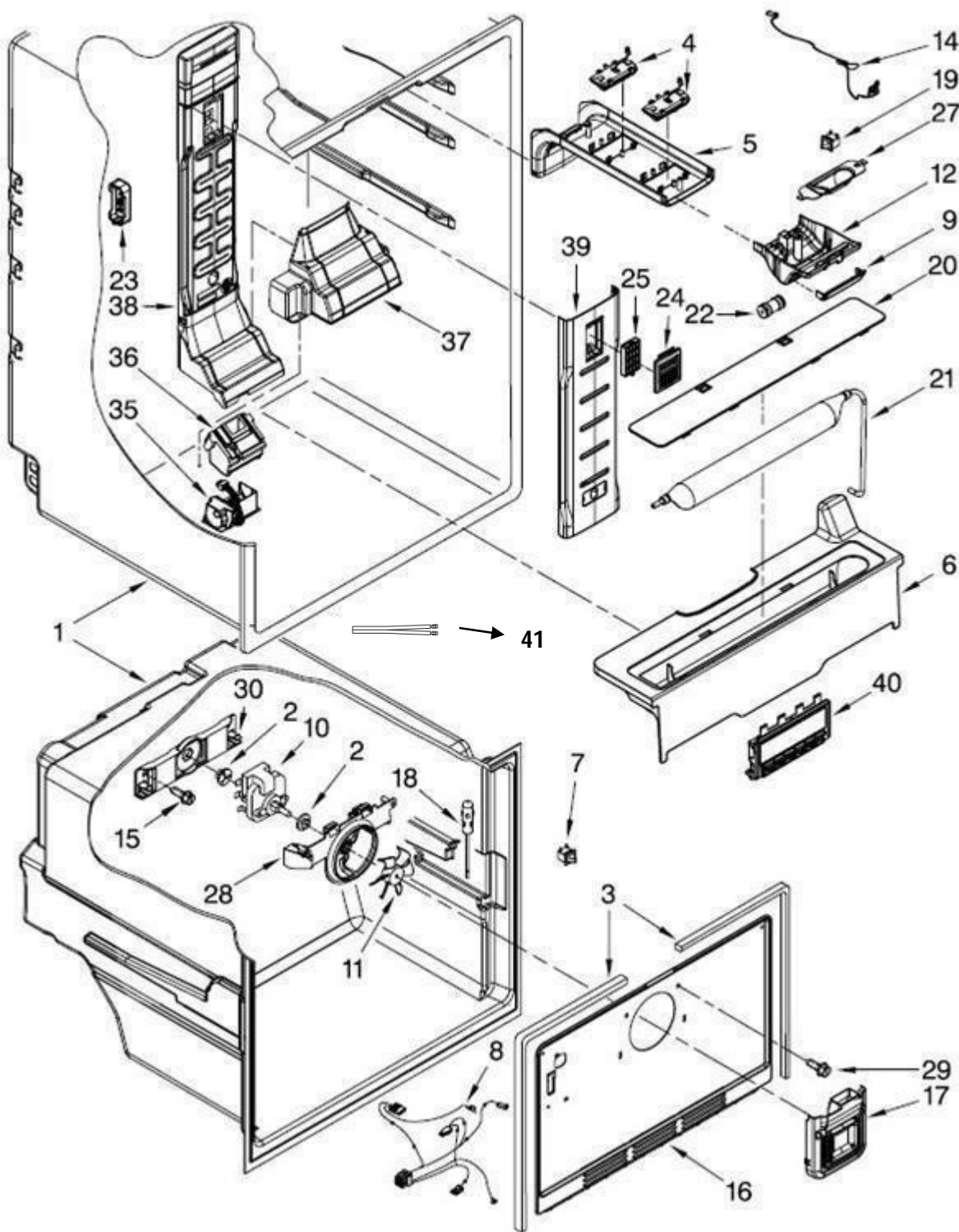
REFRIGERADOR MMFF2055ERM02



REFRIGERADOR MMFF2055ERM02

<u>No. Ilus.</u>	<u>DESCRIPCIÓN</u>	<u>Cant.</u>	<u>No. de Parte</u>
1	Literature Parts	**	***
2	Hinge, Top Left	1	W10546298
*	Hinge, Top Right	1	W10546299
3	Roller, Front Left	1	W10359256
*	Roller, Front Right	1	W10359255
5	Clamp, Tube	1	***
6	Screw	**	***
7	Screw	**	***
8	Cover, Toe Grille	2	W10353932
9	Screw	**	***
10	Brake, Roller	1	W10141622
12	Clamp, Cord	1	W10303628
13	Screw	**	***
14	Hinge Center Left	1	W10770878
*	Hinge Center Right	1	W10770877
15	Shim, Hinge	2	W10546301
16	Screw	**	***
17	Rail Center	**	***
20	Corner Filler	2	W10283961
21	Grille	1	W10353935
25	Cover Hinge LS	1	W10465768
*	Cover Hinge RS	1	W10465767
27	Cover, Unit	1	W11407731
28	Cabinet	**	***
29	Gasket, Seal	1	1106508
31	Screw	**	***
32	cover filter		W10306392
33	FILTER & HOUSING ASSY- F1 EVERYDROP		W10817400

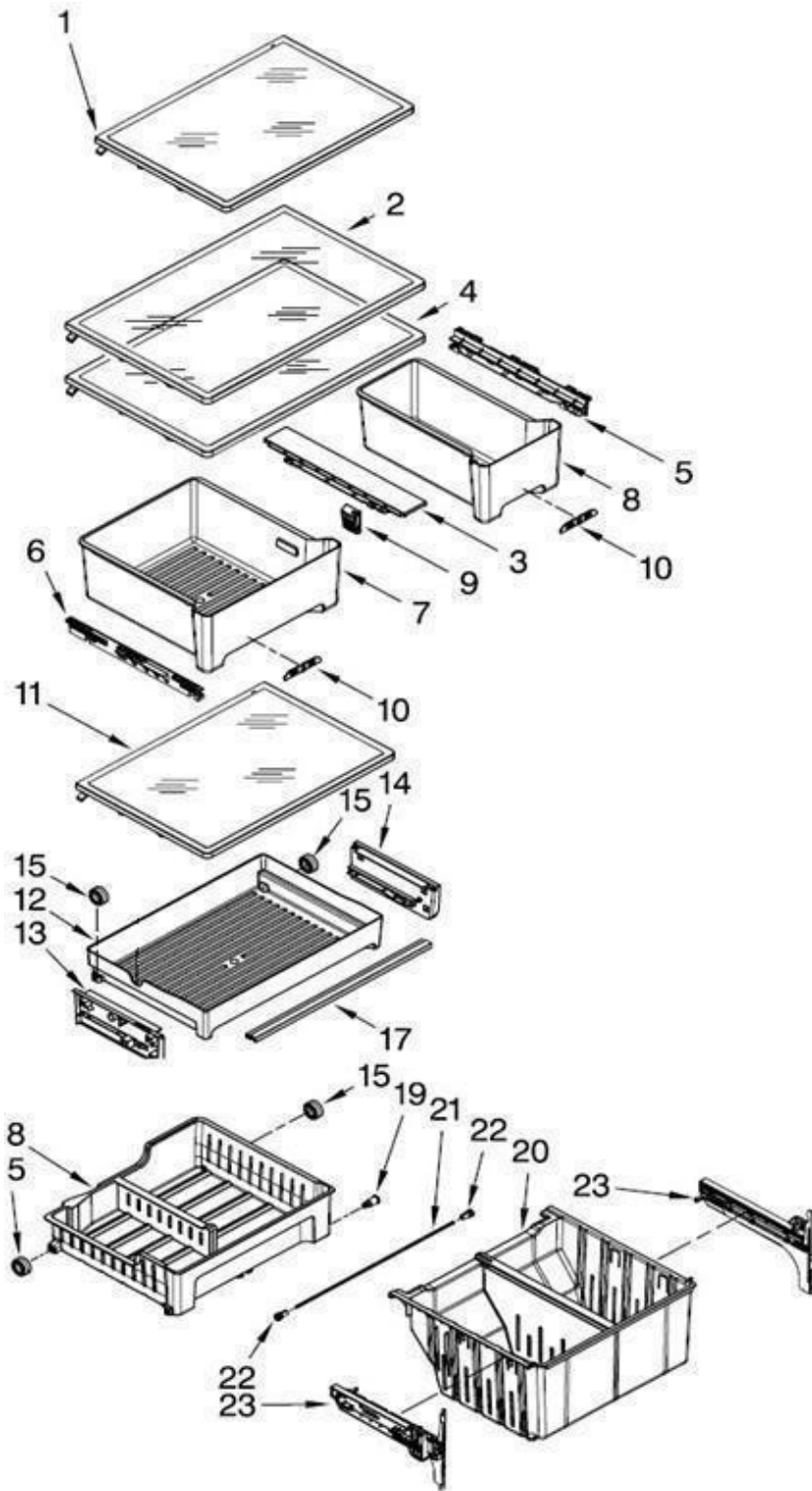
REFRIGERADOR MMFF2055ERM02



REFRIGERADOR MMFF2055ERM02

No. Ilus.	DESCRIPCIÓN	Cant.	No. de Parte
1	Liner	**	***
2	Grommet	2	2197380
3	Gasket, Evaporator Cover	2	W10468762
4	LED Light Assembly, RC	2	W10360497
5	Housing, Light RC	1	W10469878
6	Water Reservoir Container	1	W10798439
7	Switch, Rocker Arm	1	12466105
8	Wire Assembly, Evaporator Fan	1	W10487766
9	Cover, Control Housing	1	W10360550
10	Fan Motor	1	W10464673
11	Fan Blade	1	2200509
12	Control Housing	1	W10435577
14	Wire Assembly, RC Lighting	1	W10421350
15	Screw	**	***
16	Cover, Evaporator	1	W10300900
17	FC Tower	1	W10317182
18	Thermistor, FC	1	W10383615
19	Rocker Arm Switch	2	1118894
20	Cover, Water Reservoir	1	W10413160
21	Water Reservoir, Single	**	***
22	Connector, Water	**	***
23	Cover, Thermistor	2	W10425252
24	Grille, Air Filter	1	W10330850
25	Antibacterial Filter	1	W10315189
27	Shield Heat	1	W10314195
28	Bracket, Fan Motor	1	W10321162
29	Screw		***
30	Bracket Evap. Fan, Rear	1	2254454
35	Damper, Electronic Control	1	W10745484
36	Cover, Damper Housing	1	W10474775
37	Housing Damper	1	W10314204
38	MULTIFLOW ASSY FDBM W/LABEL	1	W11508229
39	Multiflow Cover	1	W10356895
40	Screw Cup	1	W10336009
41	Thermistor RC	1	W10384183

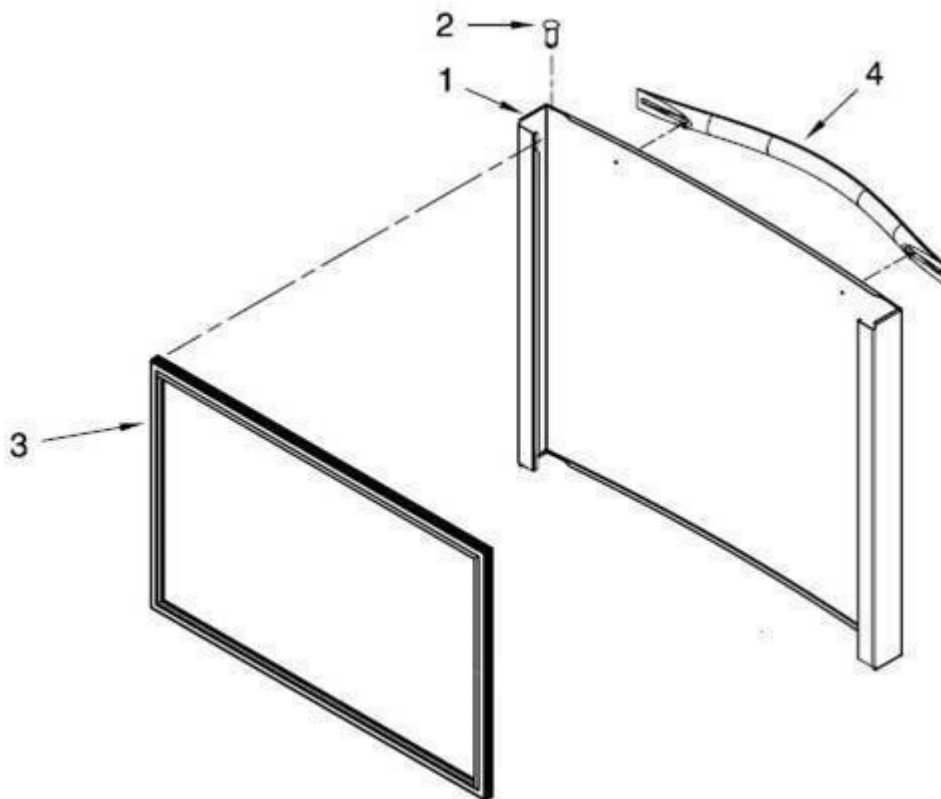
REFRIGERADOR MMFF2055ERM02



REFRIGERADOR MMFF2055ERM02

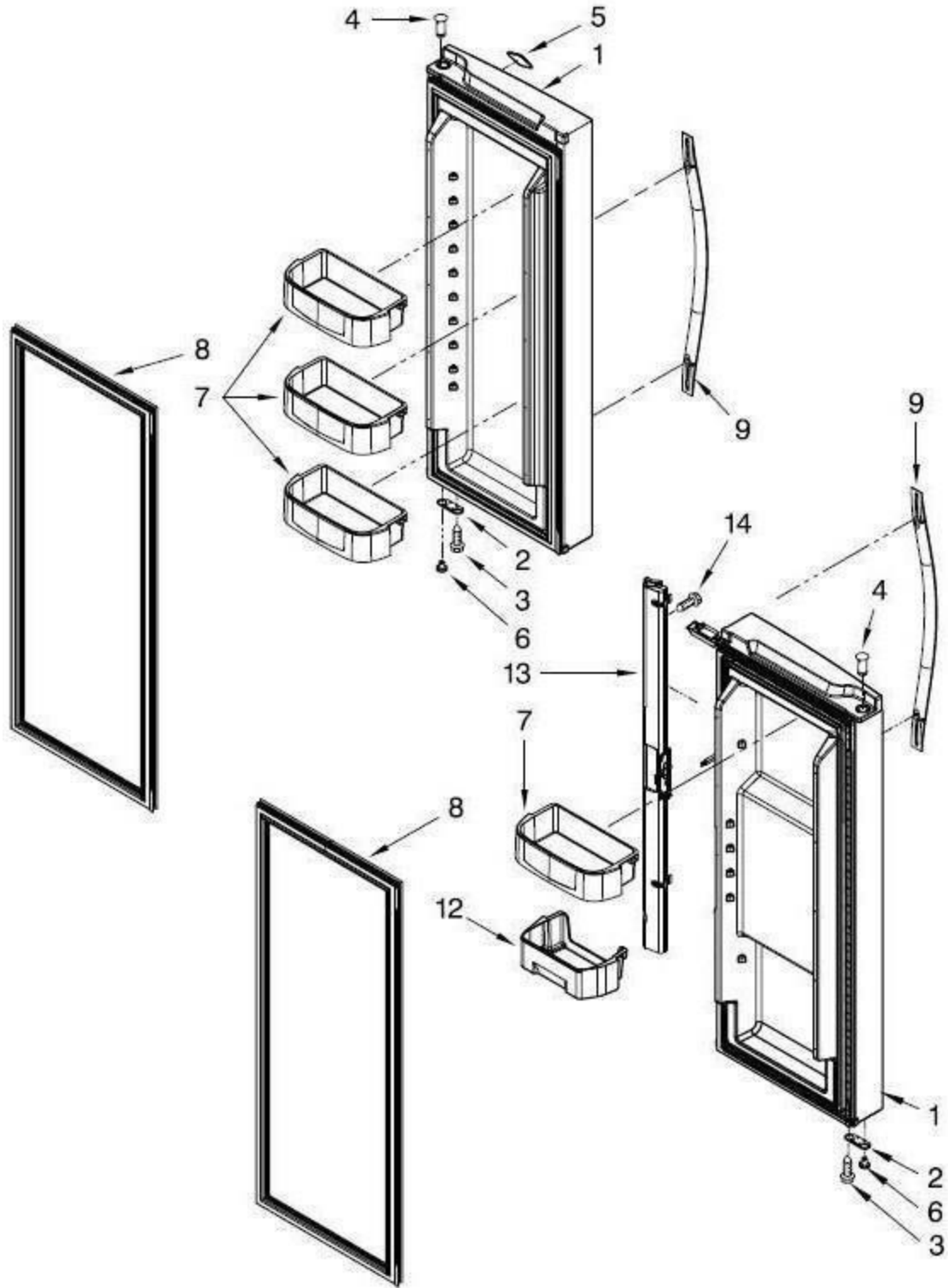
No. Ilus.	DESCRIPCIÓN	Cant.	No. de Parte
1	Shelf Full 30"	1	W10486290
2	Shelf Full 30" White	1	W10628709
3	Track Rail Center	1	W10468557
4	Crisper Cover	1	W10628709
5	Track Rail RS	1	W10468556
6	Track Rail LS	1	W10468555
7	Crisper Pan, 16"	1	W10370327
8	Crisper Pan 8"	1	W10317184
9	Produce preserver box	1	W10408748
10	Humidity Control	2	W10356846
11	Cover Glass, Pantry	1	W10513681
12	Pantry, Deli Pan Assembly	1	W10397907
13	Rail, Pantry, LH	1	W10397908
14	Rail, Pantry, RH	1	W10414530
15	Roller	**	***
17	Support Assembly, Pantry Cover	1	W10507470
18	Freezer Bin, Upper	1	W10555437
19	Axle, Roller	**	***
20	Freezer Basket, Lower	1	W10317289
21	Shaft, Rack	1	W10802342
22	Collar, Gear	2	W10277361
23	Adaptador Freezer LH	1	W10397636
*	Adaptador Freezer RH	1	W10397635

REFRIGERADOR MMFF2055ERM02



No. Ilus.	DESCRIPCIÓN	Cant.	No. de Parte
1	Freezer Door	1	LW10811997
2	Thimble	1	W10334042
3	Gasket, FC	1	W10465762
4	Handle Assembly	1	W10643720

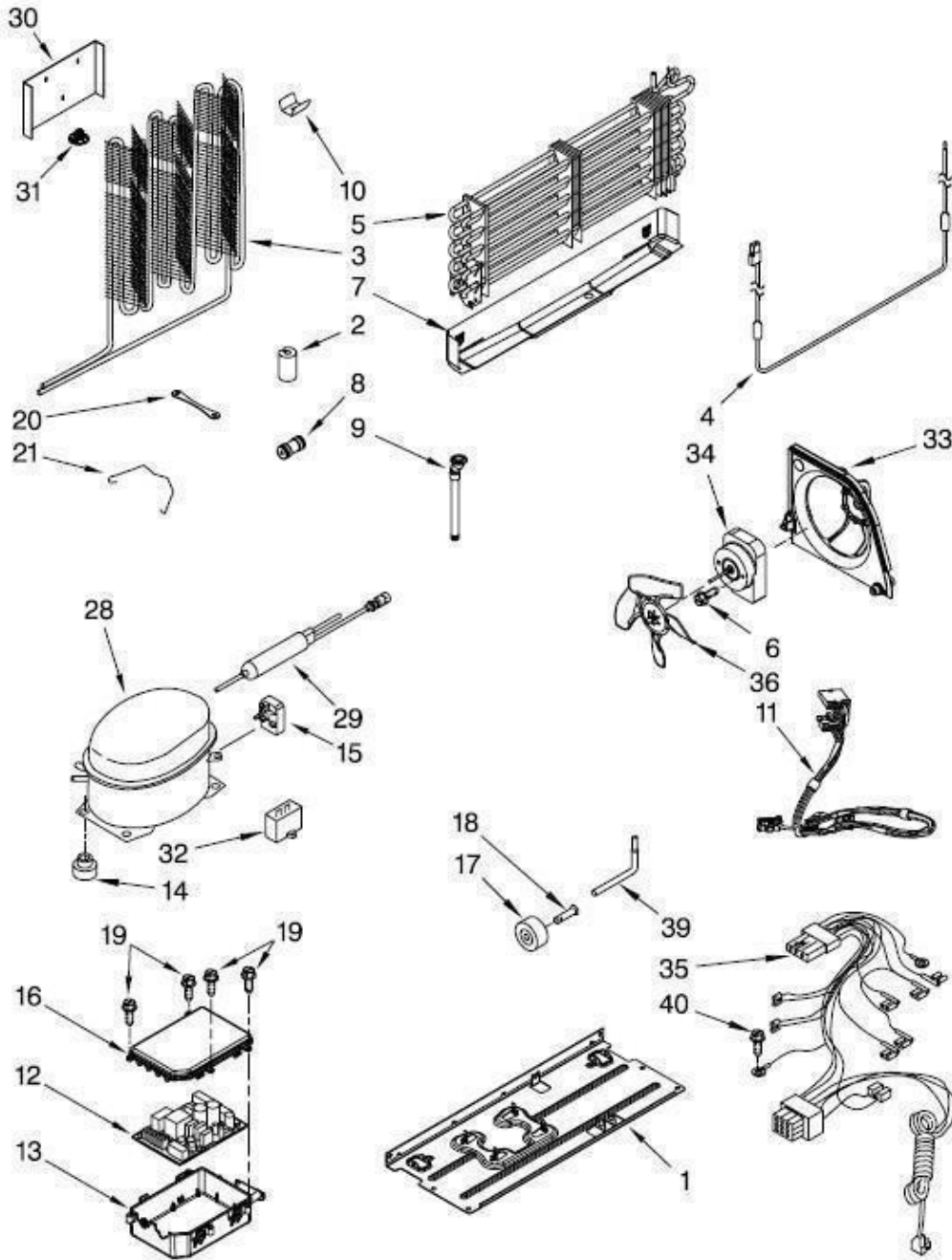
REFRIGERADOR MMFF2055ERM02



REFRIGERADOR MMFF2055ERM02

No. Ilus.	DESCRIPCIÓN	Cant.	No. de Parte
1	Refrigerator Door LH	1	LW10811995
*	Refrigerator Door RH	1	LW10811996
2	Bracket, Door Stop	1	2189202
3	Screw	**	***
4	Thimble RH	1	W10366270
*	Thimble LH	1	W10334042
5	Badge, Whirlpool	1	W10612925
6	Door Closure	1	W10470155
7	Bin, Door, Medium	4	W10331764
8	Gasket, RC	1	W10413468
9	Handle Assembly	2	W10643725
12	Shallow Bin	1	W10326335
13	Flipper Mullion Assembly	1	W10624453
14	Screw, Mullion	**	***

REFRIGERADOR MMFF2055ERM02



REFRIGERADOR MMFF2055ERM02

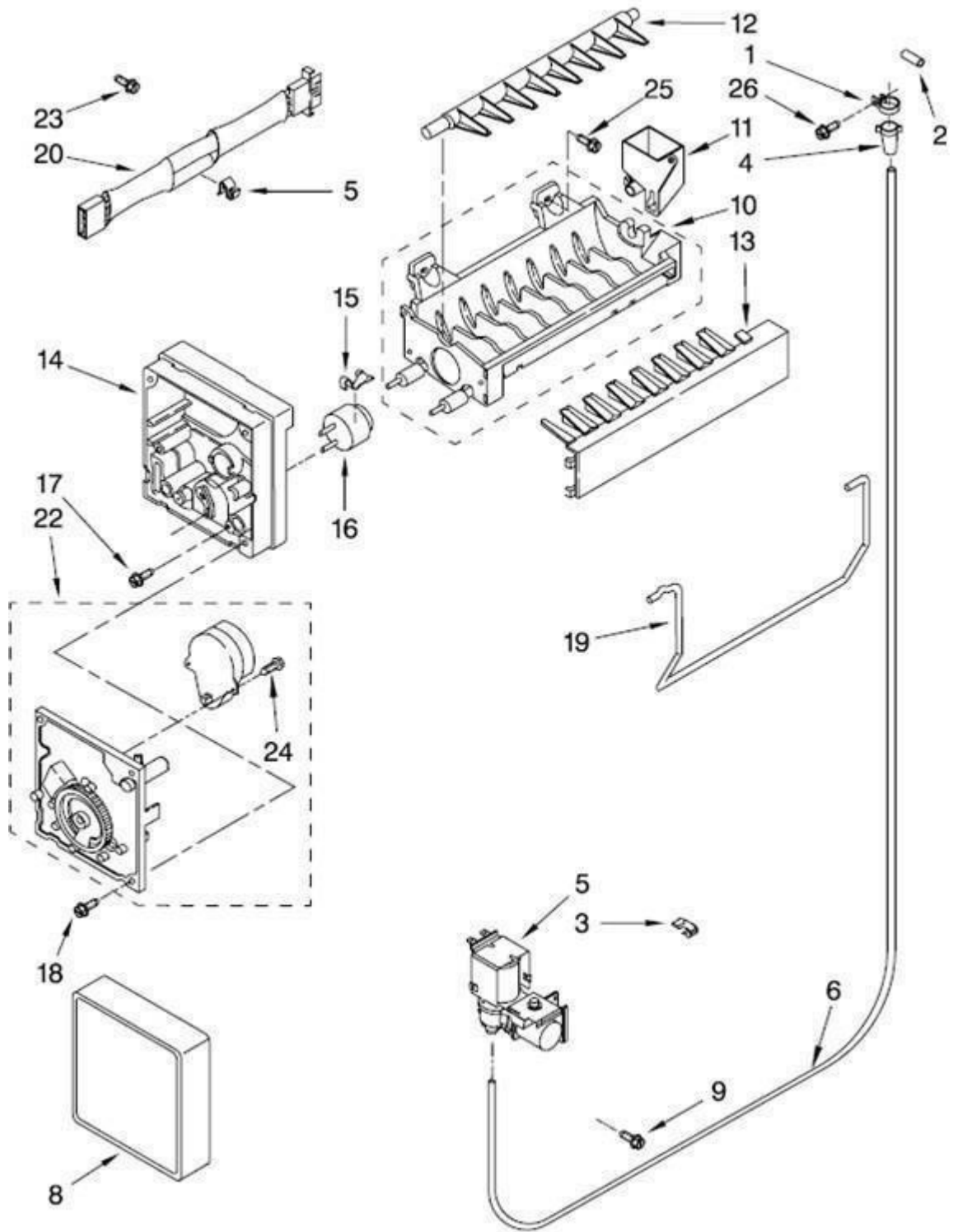
No. Ilus.	DESCRIPCIÓN	Cant.	No. de Parte
1	Plate, Unit Mounting	1	W10300116
2	Grommet, Condenser	3	2319835
3	Condenser	1	W10342567
4	Heater, Defrost	1	W10436849
5	Evaporator Assy	1	W10321158
6	Screw	**	***
7	Drain Pan	1	W10466213
8	Connector, Water Tube	**	***
9	Drain Tube	1	W10314199
10	Clip, Condenser Mounting	4	W10248621
11	Wire Assembly, Low Voltage	1	W10424230
12	Electronic Control Minotaur	1	W10547719
13	Enclosure	1	W10370696
14	Grommet	4	10835903
15	TSD2 115V ELECTRICAL (EM3Z60)	1	W10448874
16	Cover, Electronic Control	1	W10313215
17	Roller	2	W10475495
18	Rivet	2	2179826
19	Screw	**	***
20	Strap, Compressor	2	W10236396
21	Bale Strap	1	W10174383
28	COMPRESSOR-EMBR.-EM3D60HLT	1	W10575980
29	Drier	1	W10669573
30	Cover, Condenser Bottom	1	W10349514
31	Clip, Cover	1	W10296661
32	CAPACITOR-RUN-NGM (12 UF/210V.)	1	W10590088
33	Air Baffle	1	2315541
34	Motor, Condenser	1	W10530280
35	Wire Assy, Unit	1	W10390445
36	Fan Blade	1	W10139483
39	Tube, Process	**	***
40	Screw	**	***

Distribuidor Autorizado

SurteRápido.com

Venta de Refacciones
Electrodomesticas

REFRIGERADOR MMFF2055ERM02



REFRIGERADOR MMFF2055ERM02

No. Ilus.	DESCRIPCIÓN	Cant.	No. de Parte
1	Clamp, Tube	**	***
2	Tube, Water Inlet	1	W10496649
3	Clip, Water Valve	**	***
4	Insert, Tube	1	2181939
5	Valve Solenoid (Single)	1	W10498995
6	Tube, Water Valve	**	***
8	Cover, IM Module	1	W10289690
9	Screw	**	***
10	Mold & Heater Assy	1	628228
11	Cup, Water Fill	1	W10435665
12	Ejector	1	627843
13	Ice Stripper	1	W10699925
14	Support	1	2194712
15	Retainer Thermostat	2	2315522
16	Thermostat	1	628397
17	Screw	**	***
18	Screw	**	***
19	Shut Off Arm	1	W10474785
20	Harness, Wiring	1	W10309400
22	Module Assy	1	W10223929
23	Screw	**	***
24	Screw	**	***
25	Screw	**	***
26	Screw	**	***
Icemaker, Complete Assy		1	2225623