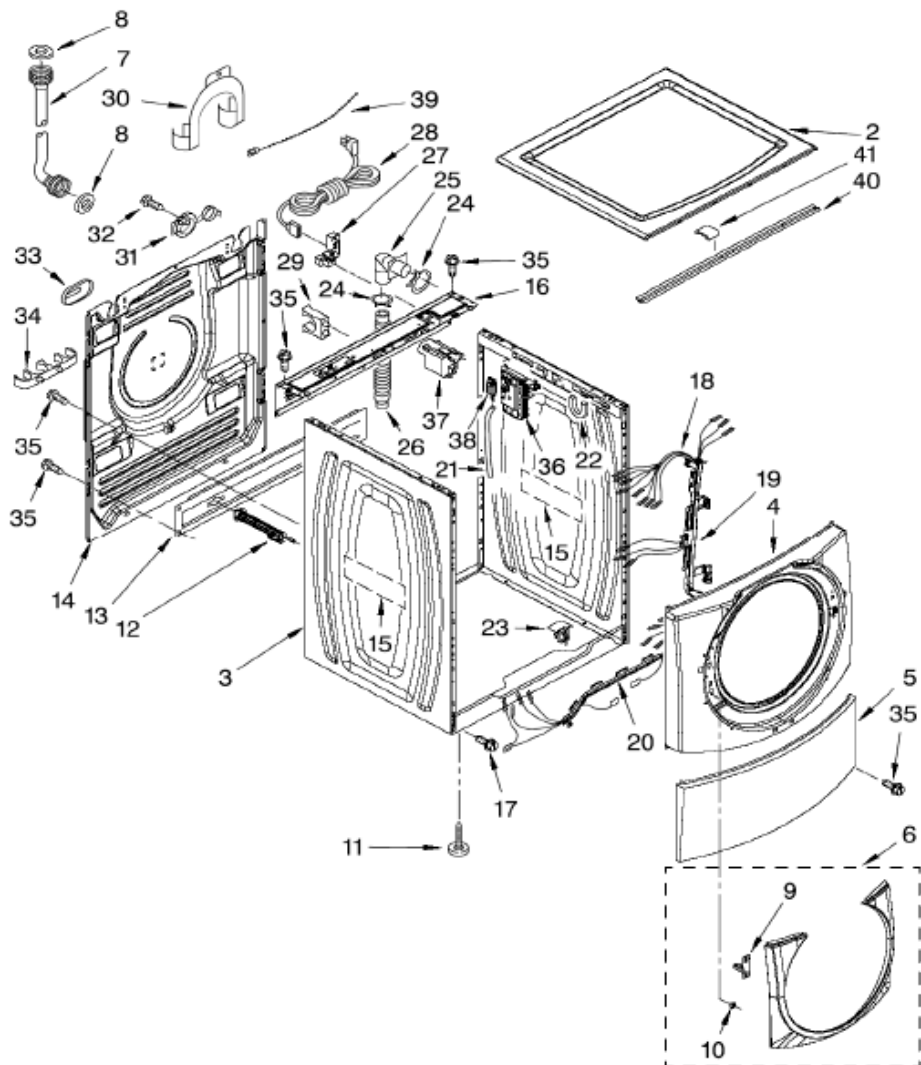


Distribuidor Autorizado

SurteRápido.com

Venta de Refacciones  
Electrodomesticas

## MMHWE900VJ01 GABINETE



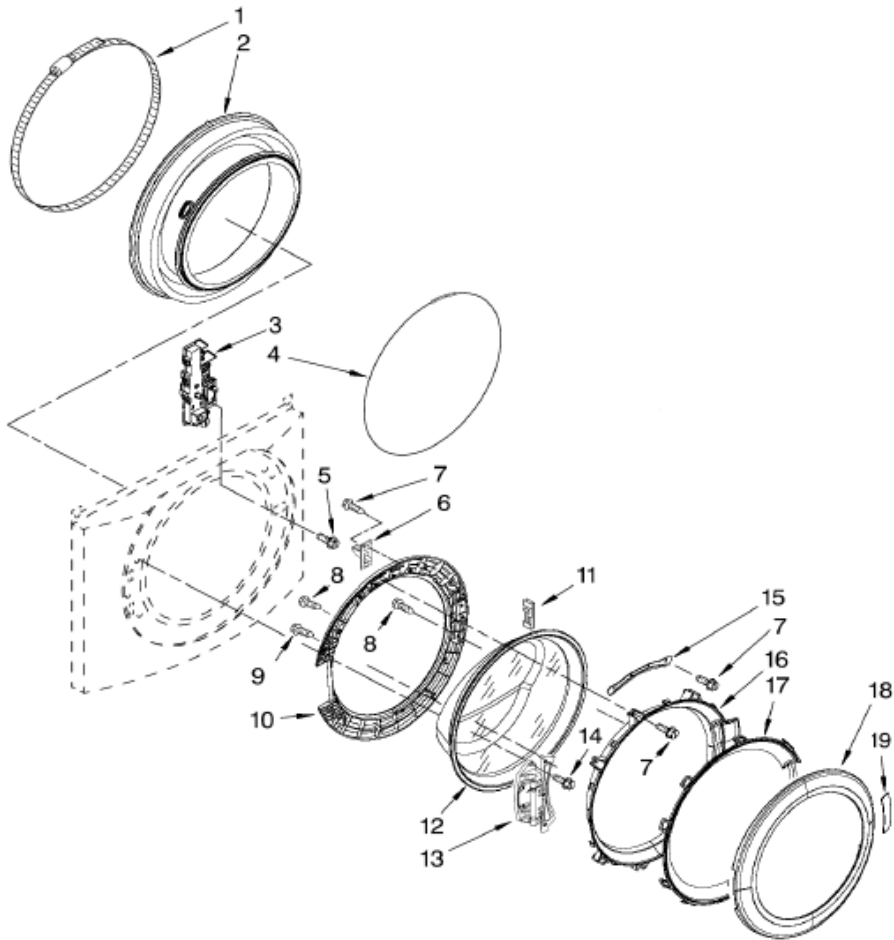


## MMHWE900VJ01 GABINETE

2	W10176932	TOP
3	W10176856	CABINET
4	W10176908	PANEL, FRONT
5	W10176925	TOE PANEL
6	W10183001	RING, TRIM
7	8571377	HOSE, WATER INLET BLUE COUPLER
7	8571378	HOSE, WATER INLET RED COUPLER
8	3976300	WASHER, WATER INLET HOSE
9	W10112671	CLIP, TRIM-METAL
10	W10029650	CLIP, TRIM
11	W10064810	FOOT, LEVELING
12	W10190006	BOLT, SHIPPING UPPER
12	W10190007	BOLT, SHIPPING LOWER
13	W10165710	BRACE, TRANSPORT UPPER
13	W10003040	BRACE, TRANSPORT LOWER
14	W10165713	PANEL, REAR
15	3976348	ABSORBER, SOUND
16	W10110677	BRACE, REAR
17	8540479	SCREW, GROUNDING
18	W10115662	HARNESS, WIRING LOWER MAIN (INCLUDES 19 & 20)
19	W10216383	CHANNEL, HARNESS SIDE
20	W10168549	CHANNEL, HARNESS BOTTOM
21	W10004260	HOSE, PRESSURE SWITCH
22	W10008890	BRACKET, SPRING
23	8540210	MICROSWITCH
24	356138	CLAMP, HOSE
25	W10003260	CONNECTOR, DRAIN HOSE
26	W10003280	HOSE, DRAIN OUTER
27	W10110676	STRAIN RELIEF
28	W10205498	CORD, POWER
29	W10022290	CLIP, OUTER HOSE HOLDER
30	8540021	U-BEND DRAIN HOSE
31	8540728	SLEEVE, CORD SUPPORT

32	8540727	SCREW, 3 X 8 MM
33	8540268	COVER, TRANSPORT
34	W10003270	CLIP, OUTER HOSE HOLDER
35	W10015090	SCREW, 8-18 X 5/8
36	****	CONTROL BOARD, EXPANSION
37	8540230	FILTER INTERFERENCE
38	461970309561	SWITCH, ANALOG PRESSURE SENSOR
39	3347868	CABLE TIE
40	8540721	BRACE, TOP (INCLUDES ITEM 41)
41	8283273	DAMPER, BRACE

**MMHWE900VJ01 PUERTA**

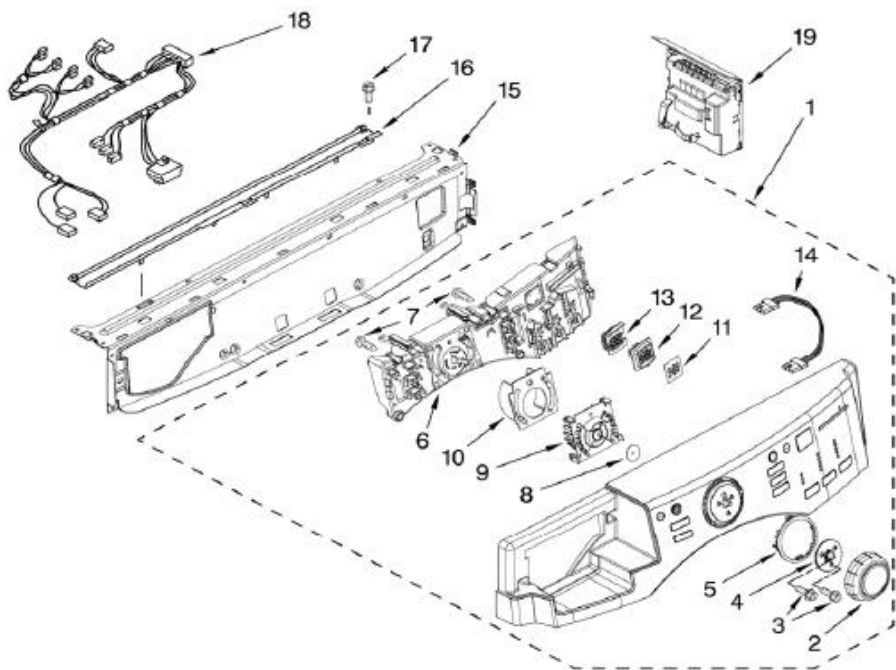




**MMHWE900VJ01 PUERTA**

1	461970220261	FIXATION CLAMP, BELLOW TO TUB
2	W10003800	BELLOW
3	W10253483	LOCK, DOOR
4	W10003490	FIXATION CLAMP, BELLOW TO FRONT PANEL
5	8540725	SCREW
6	W10003390	HOOK, DOOR
7	8540513	SCREW
8	8540282	SCREW
9	8540284	SCREW
10	W10003370	FRAME, DOOR BACK SUPPORT
11	W10003430	CLAMP, SUPPORT
12	W10135912	GLASS, DOOR
13	W10200695	HINGE, DOOR
14	W10015090	SCREW
15	W10003440	CLAMP, GLASS
16	W10005220	FRAME, DOOR FRONT SUPPORT
17	W10153278	SCREEN, DOOR
18	W10193430	TRIM RING, OUTER DOOR
19	W10153281	PAD, DOOR HANDLE

**MMHWE900VJ01 TABLERO**

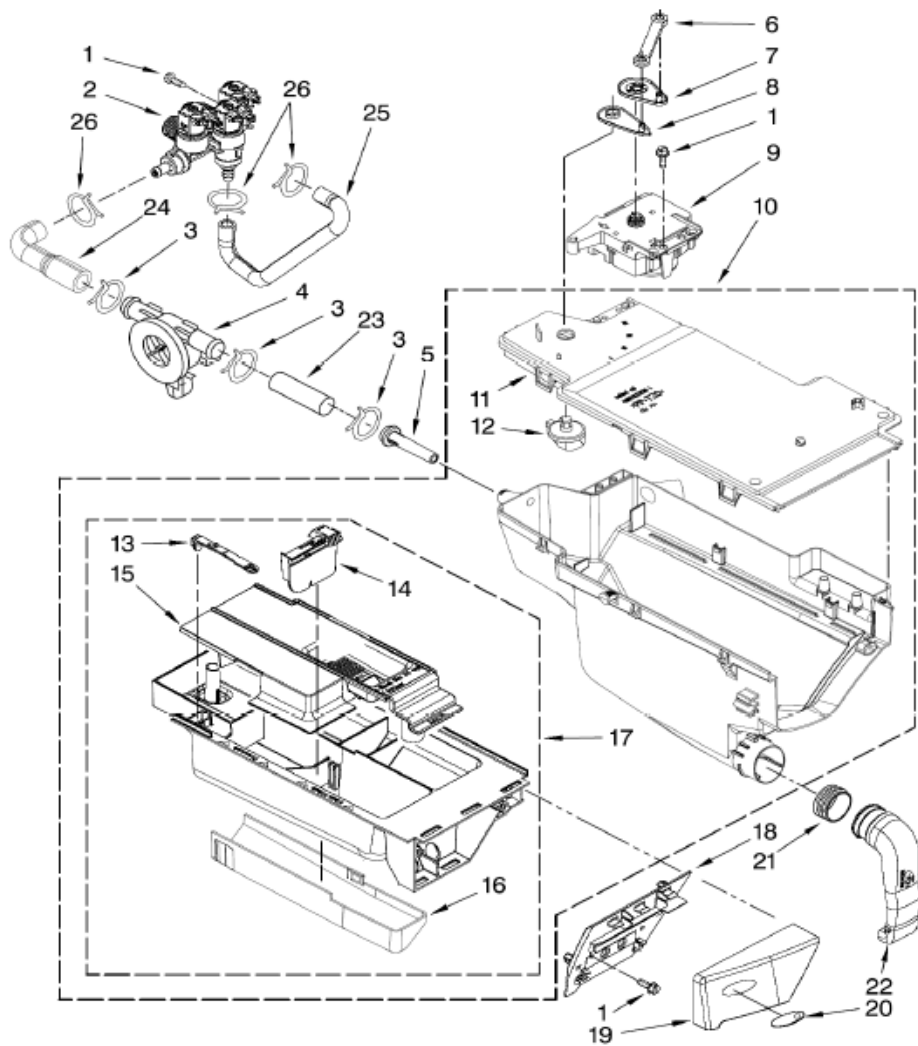




## MMHWE900VJ01 TABLERO

1	W10176646	PANEL, CONTROL
2	W10164576	KNOB, CONTROL
3	8540513	SCREW
4	W10172298	BUSHING, KNOB
5	W10164567	LIGHT GUIDE, CYCLE
6	W10164542	USER INTERFACE
7	8540282	SCREW
8	8572039	SEAL UI
9	W10170293	LIGHT GUIDE CYCLE, INTERNAL
10	W10170295	FRAME, LIGHT GUIDE
11	W10171504	FOIL - DISPLAY
12	W10164578	LIGHT GUIDE 3 DIGIT DISPLAY
13	W10171502	FRAME - LIGHT GUIDE DISPLAY
14	W10067000	HARNESS, WIRING UI
15	W10059240	BRACE, FRONT TOP
16	W10003700	CHANNEL, WATER
17	W10015090	SCREW
18	W10210828	HARNESS, WIRING (UPPER MAIN)
19	W10217083	MICROCOMPUTER, MACHINE CONTROL

**MMHWE900VJ01 DESPACHADOR**



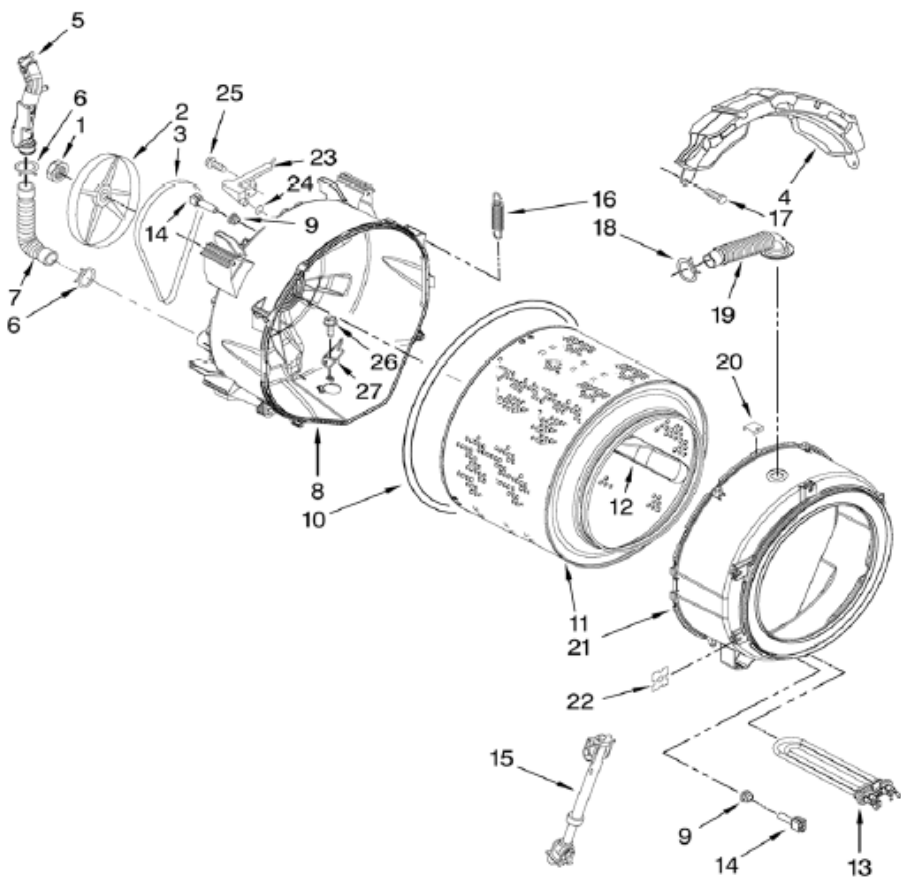




## MMHWE900VJ01 DESPACHADOR

1	8540282	SCREW
2	461970252551	VALVE, WATER INLET
3	370450	CLAMP, HOSE
4	W10110225	FLOWMETER
5	8540042	NOZZLE, INLET
6	W10003830	LEVER, CONNECTION
7	W10003190	CAM, ACTUATOR
8	W10003830	LEVER, WATER DISTRIBUTION
9	W10163975	ACTUATOR
10	W10164054	DISPENSER, COMPLETE
11	W10163868	PLATE, DISTRIBUTION
12	W10003110	NOZZLE, DISTRIBUTION
13	W10003170	HOOK, DRAWER
14	W10015200	SEPARATOR, WITH SELECTION SLIDER
15	W10157775	SYPHON, BLEACH/SOFTENER
16	W10003140	COVER, DETERGENT DRAWER
17	W10157760	DRAWER, DETERGENT
18	W10176657	BRACKET, HANDLE FIXATION
19	W10181093	HANDLE, DRAWER
20	W10177245	MEDALLION
21	W10003360	SEAL
22	W10005300	TUBE, DISPENSER TO BELLOW
23	461970230531	HOSE, INLET NOZZLE
24	461970228371	HOSE, FLOWMETER
25	461970201621	HOSE, FLOWMETER
26	3363365	CLAMP, HOSE

**MMHWE900VJ01 TINA**

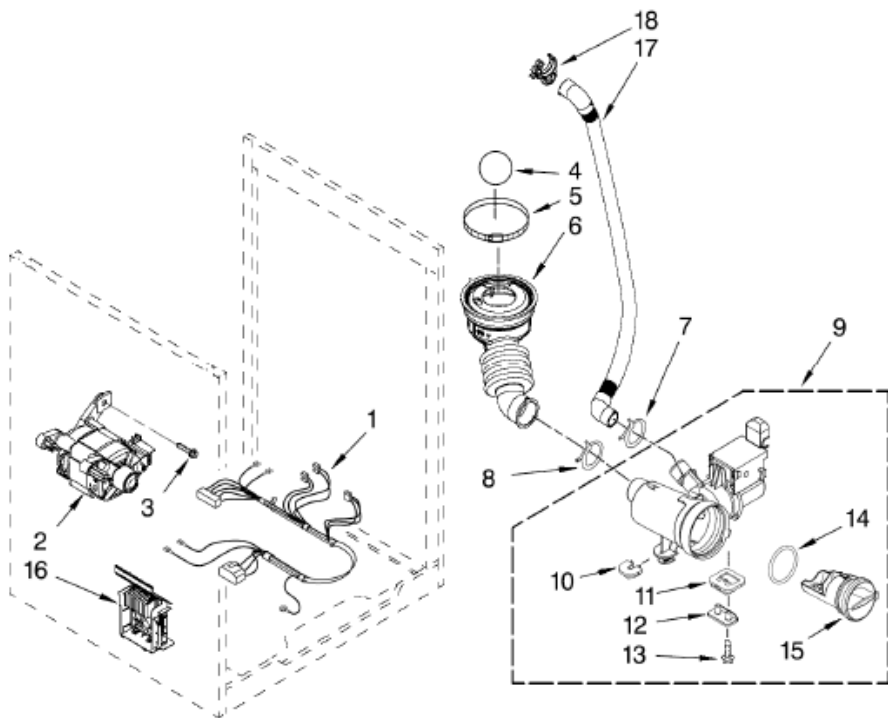




**MMHWE900VJ01 TINA**

1	8533999	NUT, PULLEY
2	W10003730	PULLEY
3	W10116215	BELT, DRIVE
4	W10163424	COUNTERWEIGHT, FRONT
5	461970241191	PIPE, VENTILATION
6	8540010	CLAMP, VENT HOSE
7	W10004330	HOSE, EXHAUST
8	W10270180	TUB, REAR (INCLUDES 10,22, 26 & 27)
9	8540766	SEAL NTC
10	W10036350	GASKET, TUB
11	W10159904	BASKET, COMPLETE
12	W10110114	BAFFLE, TUB
13	461970241811	HEATER STEAMER
14	8540226	NEGATIVE THERMISTOR CONTROL
15	W10015830	SHOCK ABSORBER
16	W10207549	SPRING, SUSPENSION
17	W10094780	BOLT, COUNTERWEIGHT MTG.
18	3363365	CLAMP, HOSE
19	8540015	HOSE, EXHAUST
20	8540092	CLAMP, TUB
21	W10259785	TUB, FRONT (INCLUDES 10 & 22)
22	8540072	NUT, PUSH-IN
23	W10003600	AIR TRAP
24	461970251921	O-RING, AIR TRAP
25	8540513	SCREW
26	8540880	SCREW
27	461970251561	BRACKET, HEATING ELEMENT

MMHWE900VJ01 MOTOR / BOMBA





**MMHWE900VJ01 MOTOR / BOMBA**

1	W10186674	HARNESS, MOTOR
2	W10140583	MOTOR, DRIVE
3	8540134	BOLT, MOTOR
4	W10003330	BALL
5	8540008	CLAMP
6	W10003240	HOSE, TUB TO PUMP
7	356138	CLAMP, DRAIN HOSE
8	370448	CLAMP, HOSE
9	W10130913	PUMP (COMPLETE)
10	W10034820	FOOT, RUBBER (SLIDER)
11	W10034830	FOOT, RUBBER (LOCK)
12	8540033	CAP, LOCK FOOT
13	8533964	SCREW
14	8540025	SEAL, FILTER CAP
15	8540028	FILTER ASSEMBLY (INCLUDES ITEM 14)
16	W10015480	MOTOR CONTROL UNIT
17	W10003250	HOSE, DRAIN (INNER)
18	W10003290	RETAINER, DRAIN HOSE