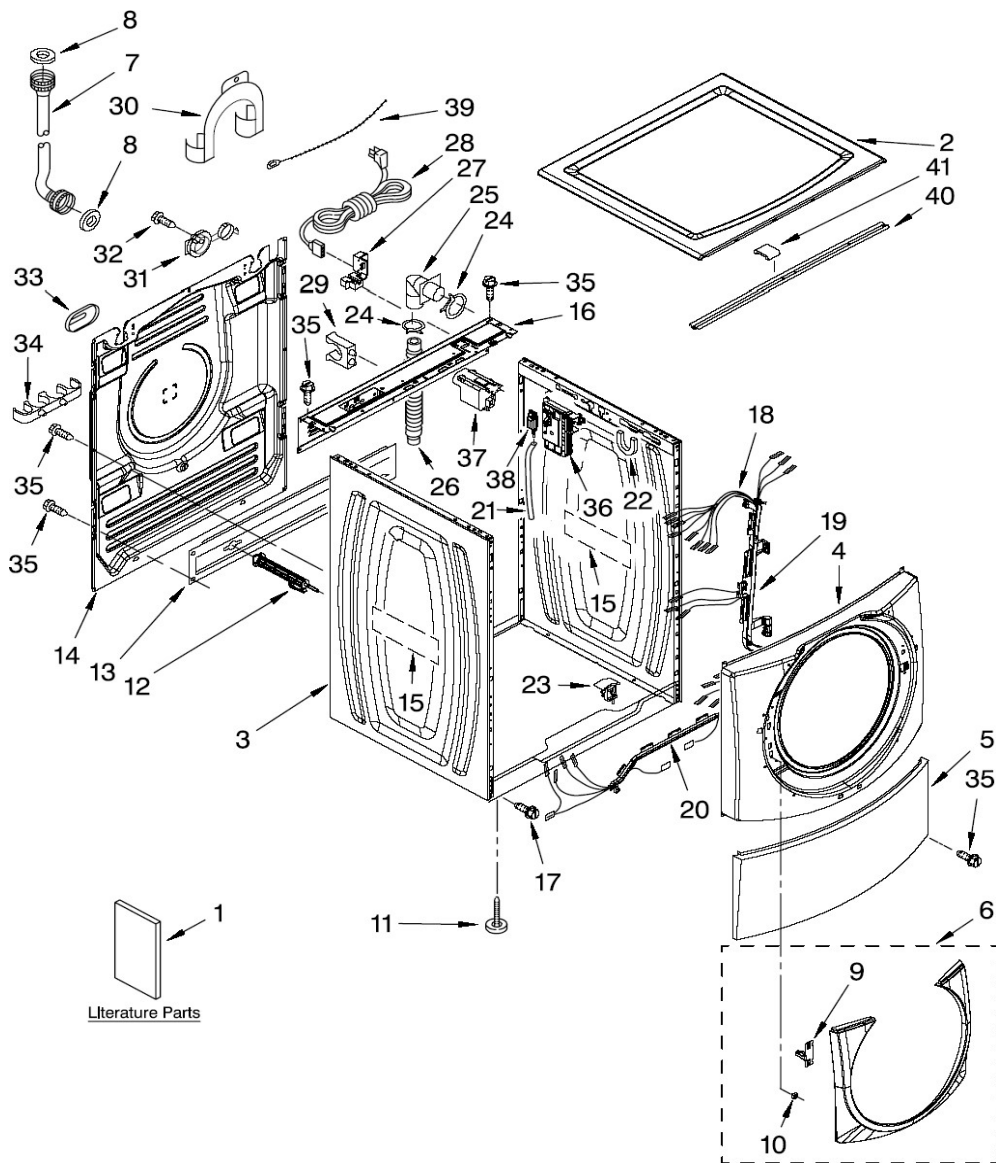


Distribuidor Autorizado

SurteRápido.com

Venta de Refacciones  
Electrodomesticas

# Lavadora Whirlpool MMHWE900VW01





# Lavadora Whirlpool MMHWE900VW01

<b>No. Ilus.</b>	<b>DESCRIPCIÓN</b>	<b>No. de Parte</b>
2	Top	W10003900
3	Cabinet	W10171708
4	Panel, Front	W10157475
5	Toe Panel	W10003640
6	Ring, Trim	W10182998
7	Hose, Water Inlet blue coupler	8571377
7	Hose, Water Inlet red coupler	8571378
8	Washer, Water Inlet Hose	3976300
9	Clip, Trim-Metal	W10112671
10	Clip, Trim	W10029650
11	Foot, Leveling	W10064810
12	Bolt, Shipping upper	W10190006
12	Bolt, Shipping lower	W10190007
13	Brace, Transport upper	W10165710
13	Brace, Transport lower	W10003040
14	Panel, Rear	W10165713
15	Absorber, Sound	3976348
16	Brace, Rear	W10110677
17	Screw, Grounding	8540479
18	Harness, Wiring Lower Main (	W10115662
19	Channel, Harness side	W10216383
20	Channel, Harness bottom	W10168549
21	Hose, Pressure switch	W10004260
22	Bracket, Spring	W10008890
23	Microswitch	8540210
24	Clamp, Hose	356138



Lavadora Whirlpool MMHWE900VW01

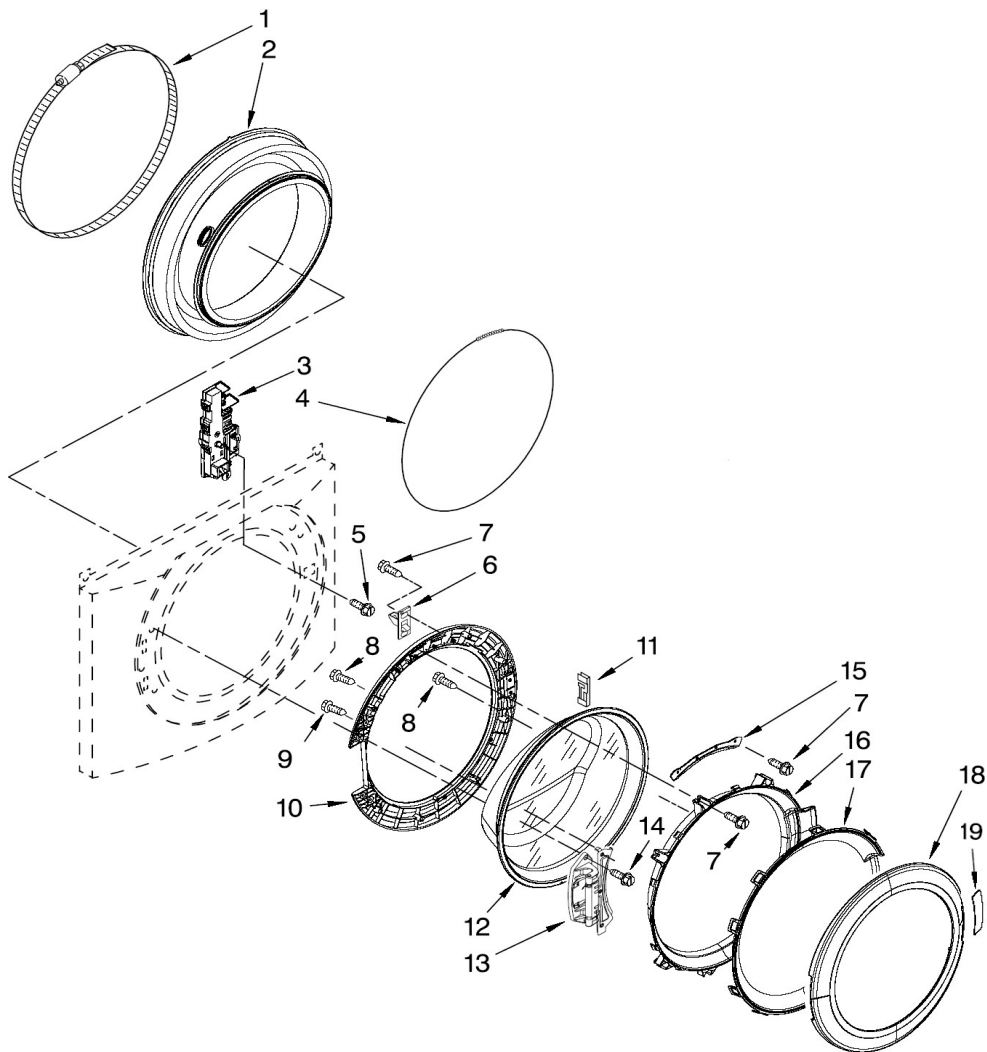
<b>No. Ilus.</b>	<b>DESCRIPCIÓN</b>	<b>No. de Parte</b>
<b>25</b>	Connector, Drain Hose	W10003260
<b>26</b>	Hose, Drain Outer	W10003280
<b>27</b>	Strain Relief	W10110676
<b>28</b>	Cord, Power	W10205498
<b>29</b>	Clip, Outer Hose Holder	W10022290
<b>30</b>	U-Bend Drain Hose	8540021
<b>31</b>	Sleeve, Cord Support	8540728
<b>32</b>	Screw, 3 x 8 mm	8540727
<b>33</b>	Cover, Transport	8540268
<b>34</b>	Clip, Outer Hose Holder	W10003270
<b>35</b>	Screw, 8-18 x 5/8	W10015090
<b>36</b>	Control Board, Expansion	***
<b>37</b>	Filter Interference	8540230
<b>38</b>	Switch, Analog Pressure Sensor	W10249845
<b>39</b>	Cable Tie	3347868
<b>40</b>	Brace, Top (Includes Item 41)	8540721
<b>41</b>	Damper, Brace	8283273

Distribuidor Autorizado

SurteRápido.com

Venta de Refacciones  
Electrodomesticas

# Lavadora Whirlpool MMHWE900VW01





# Lavadora Whirlpool MMHWE900VW01

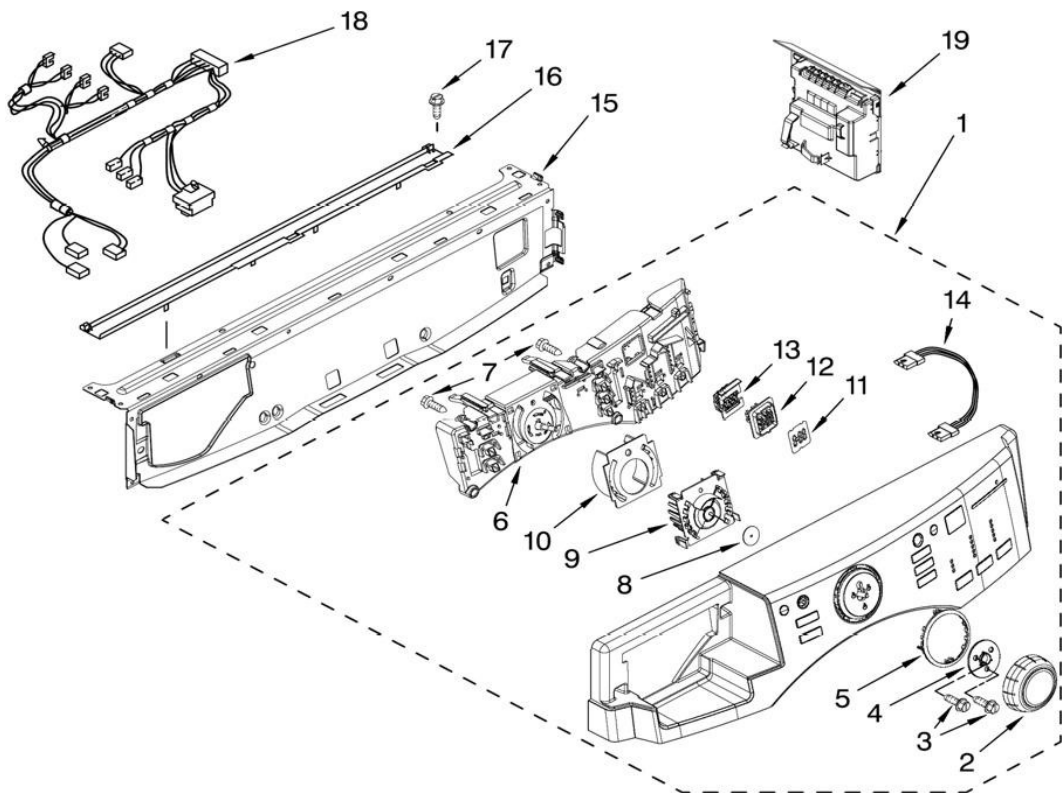
<b>No.Illus.</b>	<b>DESCRIPCIÓN</b>	<b>No. de Parte</b>
<b>1</b>	Fixation Clamp, Bellow To Tub	461970220261
<b>2</b>	Bellow	W10003800
<b>3</b>	Lock, Door	W10253483
<b>4</b>	Fixation Clamp, Bellow To Front Panel	W10003490
<b>5</b>	Screw	8540725
<b>6</b>	Hook, Door	W10003390
<b>7</b>	Screw	8540513
<b>8</b>	Screw	8540282
<b>9</b>	Screw	8540284
<b>10</b>	Frame, Door Back Support	W10003370
<b>11</b>	Clamp, Support	W10003430
<b>12</b>	Glass, Door	W10135912
<b>13</b>	Hinge, Door	W10200695
<b>14</b>	Screw	W10015090
<b>15</b>	Clamp, Glass	W10003440
<b>16</b>	Frame, Door Front Support	W10005220
<b>17</b>	Screen, Door	W10153278
<b>18</b>	Trim Ring, Outer Door	W10193430
<b>19</b>	Pad, Door Handle	W10153281

Distribuidor Autorizado

SurteRápido.com

Venta de Refacciones  
Electrodomesticas

# Lavadora Whirlpool MMHWE900VW01

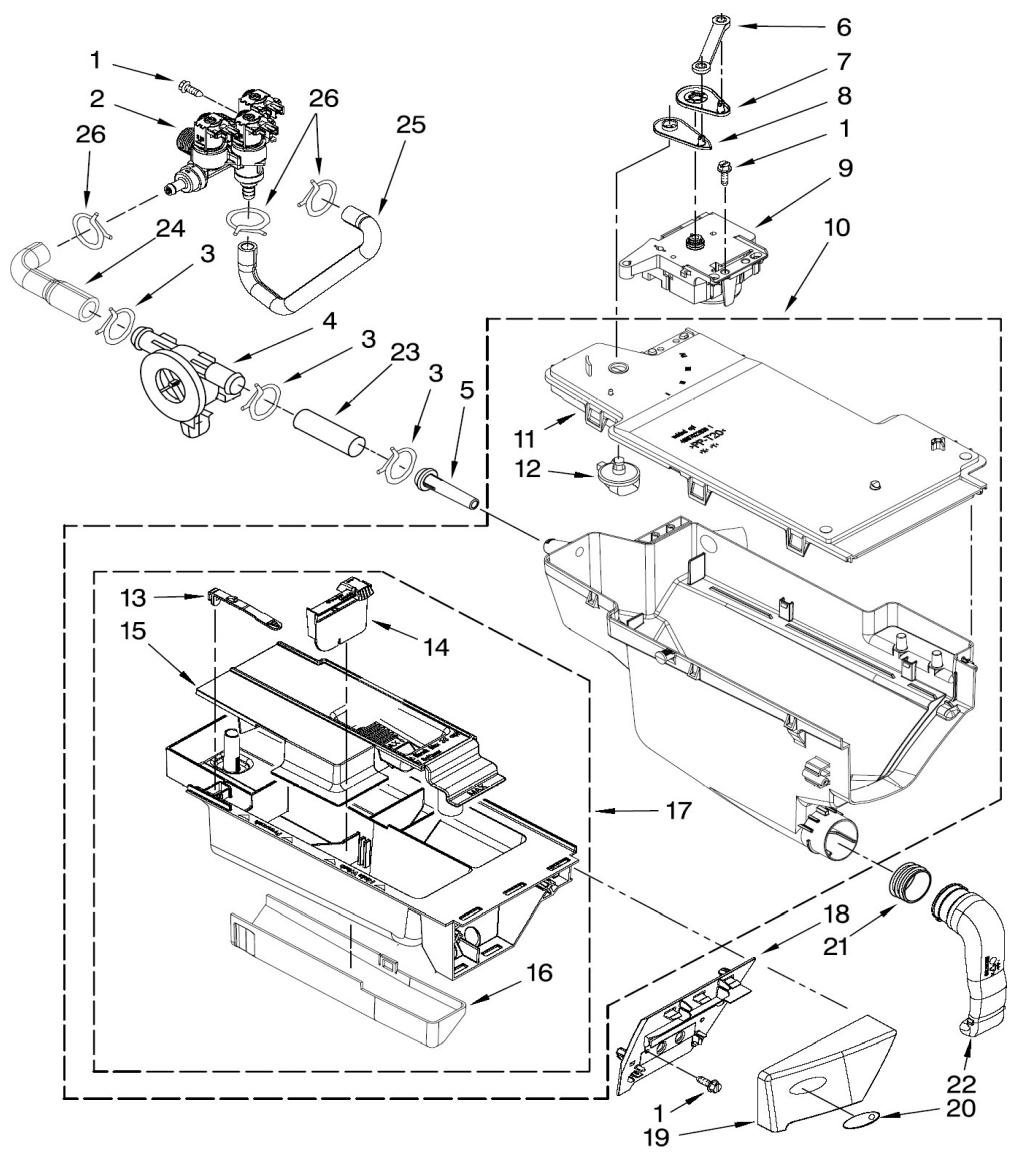




## Lavadora Whirlpool MMHWE900VW01

<b>No. Ilus.</b>	<b>DESCRIPCIÓN</b>	<b>No. de Parte</b>
<b>1</b>	Panel, Control	W10176645
<b>2</b>	Knob, Control	W10164576
<b>3</b>	Screw	8540513
<b>4</b>	Bushing, Knob	W10172298
<b>5</b>	Light Guide, Cycle	W10164567
<b>6</b>	User Interface,	W10164542
<b>7</b>	Screw	8540282
<b>8</b>	Seal UI	8572039
<b>9</b>	Light Guide Cycle, Internal	W10170293
<b>10</b>	Frame, Light Guide	W10170295
<b>11</b>	Foil – Display	W10171504
<b>12</b>	Light Guide 3 Digit Display	W10164578
<b>13</b>	Frame – Light Guide Display	W10171502
<b>14</b>	Harness, Wiring UI	W10067000
<b>15</b>	Brace, Front Top	W10059240
<b>16</b>	Channel, Water	W10003700
<b>17</b>	Screw	W10015090
<b>18</b>	Harness, Wiring (Upper Main)	W10210828
<b>19</b>	Microcomputer, Machine Control	W10217083

Lavadora Whirlpool MMHWE900VW01







**Lavadora Whirlpool MMHWE900VW01**

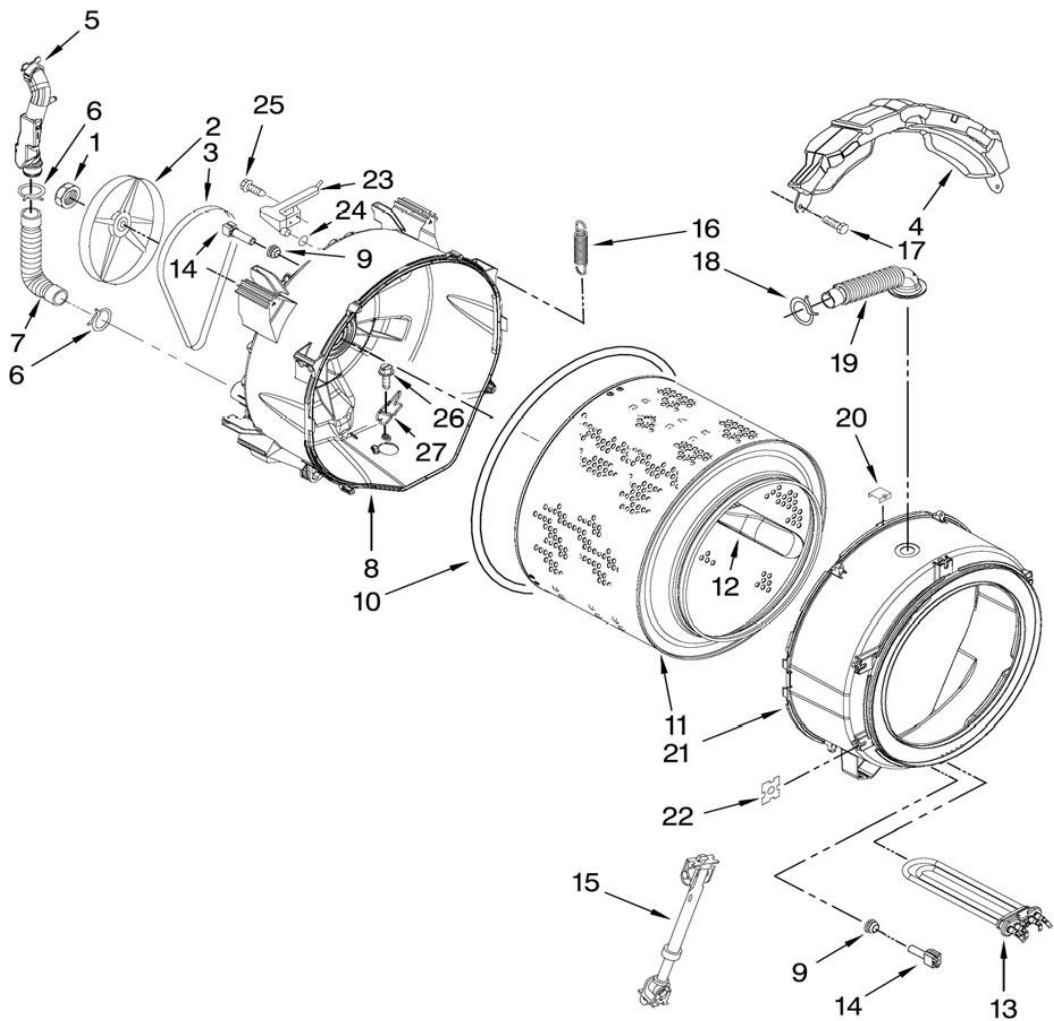
<b>No. Ilus.</b>	<b>DESCRIPCIÓN</b>	<b>No. de Parte</b>
1	Screw	8540282
2	Valve, Water Inlet	461970252551
3	Clamp, Hose	370450
4	Flowmeter	W10110225
5	Nozzle, Inlet	8540042
6	Lever, Connection	W10003830
7	Cam, Actuator	W10003190
8	Lever, Water Distribution	W10003830
9	Actuator	W10163975
10	Dispenser, Complete	W10164054
11	Plate, Distribution	W10163868
12	Nozzle, Distribution	W10003110
13	Hook, Drawer	W10003170
14	Separator, With Selection Slider	W10015200
15	Syphon, Bleach/Softener	W10157775
16	Cover, Detergent Drawer	W10003140
17	Drawer, Detergent	W10164055
18	Bracket, Handle Fixation	W10153277
19	Handle, Drawer	W10193814
20	Medallion	W10177245
21	Seal	W10003360
22	Tube, Dispenser To Bellow	W10005300
23	Hose, Inlet Nozzle	461970230531
24	Hose, Flowmeter	461970228371
25	Hose, Inlet Valve To Steamer Siphon	461970201621
26	Clamp, Hose	3363365

Distribuidor Autorizado

SurteRápido.com

Venta de Refacciones  
Electrodomesticas

# Lavadora Whirlpool MMHWE900VW01





# Lavadora Whirlpool MMHWE900VW01

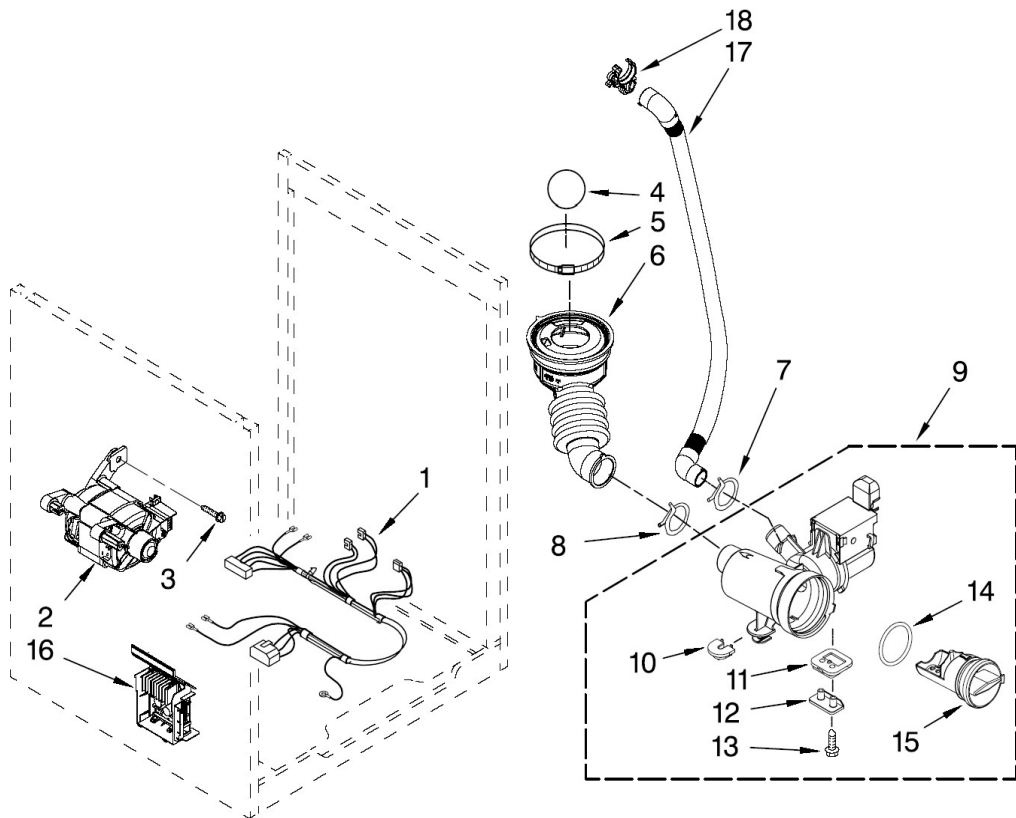
<b>No. Ilus.</b>	<b>DESCRIPCIÓN</b>	<b>No. de Parte</b>
1	Nut, Pulley	8533999
2	Pulley	W10003730
3	Belt, Drive	W10116215
4	Counterweight, Front	W10163424
5	Pipe, Ventilation	461970241191
6	Clamp, Vent Hose	8540010
7	Hose, Exhaust	W10004330
8	Tub, Rear (includes 10,22, 26 & 27)	W10270180
9	Seal NTC	8540766
10	Gasket, Tub	W10036350
11	Basket, Complete	W10159904
12	Baffle, Tub	W10110114
13	Heater Steamer	461970241811
14	Negative Thermistor Control	8540226
15	Shock Absorber	W10015830
16	Spring, Suspension	W10207549
17	Bolt, Counterweight Mtg.	W10094780
18	Clamp, Hose	3363365
19	Hose, Exhaust	8540015
20	Clamp, Tub	8540092
21	Tub, Front (includes 10 & 22)	W10259785
22	Nut, Push-In	8540072
23	Air Trap	W10003600
24	O-Ring, Air Trap	461970251921
25	Screw	8540513
26	Screw	8540880
27	Bracket, Heating Element	461970251561

Distribuidor Autorizado

SurteRápido.com

Venta de Refacciones  
Electrodomesticas

# Lavadora Whirlpool MMHWE900VW01





Lavadora Whirlpool MMHWE900VW01

<b>No. Ilus.</b>	<b>DESCRIPCIÓN</b>	<b>No. de Parte</b>
<b>1</b>	Harness, Motor	W10186674
<b>2</b>	Motor, Drive	W10140583
<b>3</b>	Bolt, Motor	8540134
<b>4</b>	Ball	W10003330
<b>5</b>	Clamp	8540008
<b>6</b>	Hose, Tub to Pump	W10003240
<b>7</b>	Clamp, Drain Hose	356138
<b>8</b>	Clamp, Hose	370448
<b>9</b>	Pump (Complete)	W10130913
<b>10</b>	Foot, Rubber (Slider)	W10034820
<b>11</b>	Foot, Rubber (Lock)	W10034830
<b>12</b>	Cap, Lock Foot	8540033
<b>13</b>	Screw	8533964
<b>14</b>	Seal, Filter Cap	8540025
<b>15</b>	Filter Assembly (includes item 14)	8540028
<b>16</b>	Motor Control Unit	W10015480
<b>17</b>	Hose, Drain (Inner)	W10003250
<b>18</b>	Retainer, Drain Hose	W10003290