

EXPLOSIONADO DE PARTES



LAVADORA FRONTAL

Modelo:

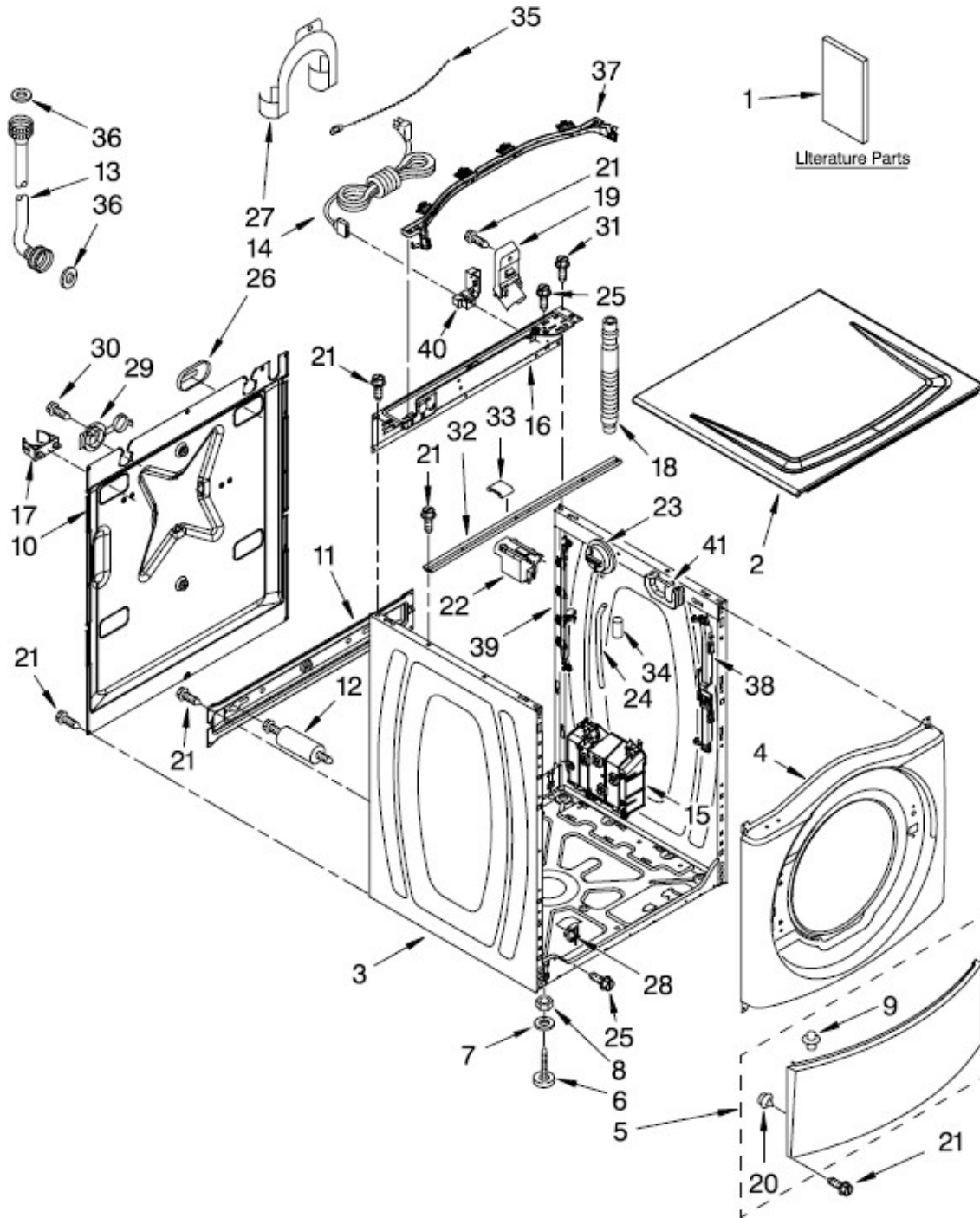
MMHWZ100TQ01

LAVADORA MMHWZ100TQ0

Capacidad
10 Kg.

12 Kgs.
Blanco

TOP AND CABINET PARTS



LAVADORA MMHWZ100TQ0

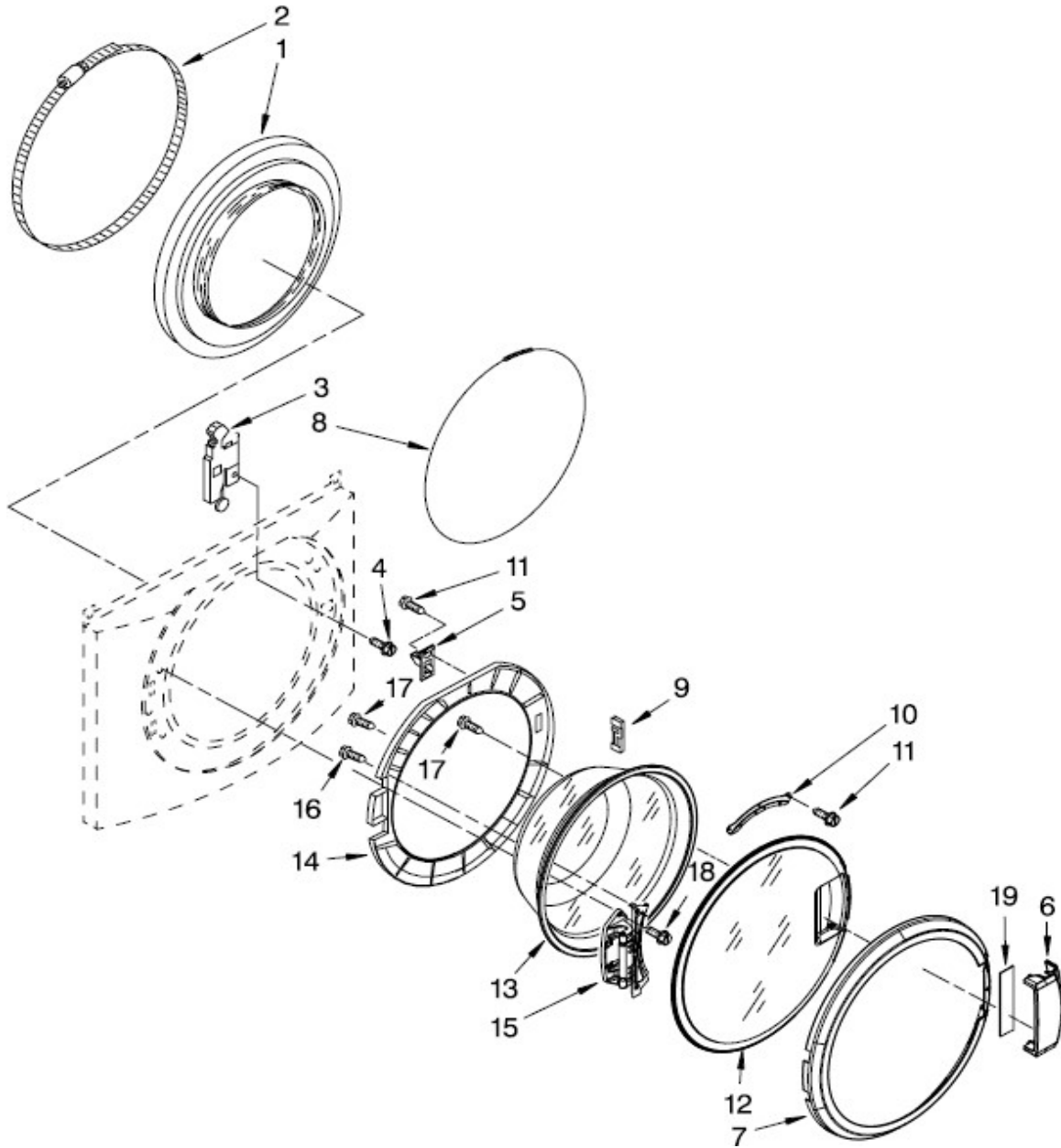
TOP AND CABINET PARTS			
R e f	Descripción	C a n t	Numero de Parte
2	Top	1	8540716
3	Cabinet	1	W10201831
4	Panel, Front	1	W10112948
5	Toe Panel	1	8540813
6	Foot, Leveling (4)	4	W10121677
7	Washer, Plastic	1	W10155321
8	Nut, Lock (4)	4	3359452
9	Rivet	1	8518891
10	Panel, Rear	1	8540580
11	Brace, Transport	1	W10189657
12	Bolt, Shipping (4)	4	8540199
13	Hose, Water Inlet Blue Coupler	2	W10194208
14	Cord, Power	1	W10205499
15	Motor Control Unit	1	W10163007
16	Brace, Rear	1	W10161694
17	Clamp, Tube Transportation	1	W10182936
18	Hose, Drain	1	W10114608
19	Retainer, Hose Outlet	1	8540607
20	Bumper (2)	1	238614
21	Screw, 8-18 x 5/8	2	W10015090
22	Filter, Interference	1	8540230
23	Switch, Pressure	1	W10163980
24	Hose, Pressure Switch	1	8540294
25	Screw, Grounding	1	8540479
26	Cover, Transport	1	8540268
27	U-Bend, Drain Hose	1	8540021
28	Microswitch (2)	1	W10085220
29	Sleeve, Cord Support	1	8540728
30	Screw,	2	8540727
31	Screw	2	8540329
32	Brace, Top	1	8540720
33	Damper, Brace	1	8283273
34	Sleeve, Pressure Switch Hose	1	2161302
35	Cable Tie	1	3347868
36	Washer, Water Inlet Hose	1	16123A
37	Harness Channel, Top Rear	1	W10168548
38	Harness Channel, Side Front	1	W10168546
39	Harness Channel, Side Rear	1	W10168547
40	Strain Relief, Power Cord	1	W10110676
41	Bracket, Spring	1	8540644

LAVADORA MMHWZ100TQ0

Color

Color
Blanco

DOOR AND LATCH



LAVADORA MMHWZ100TQ0

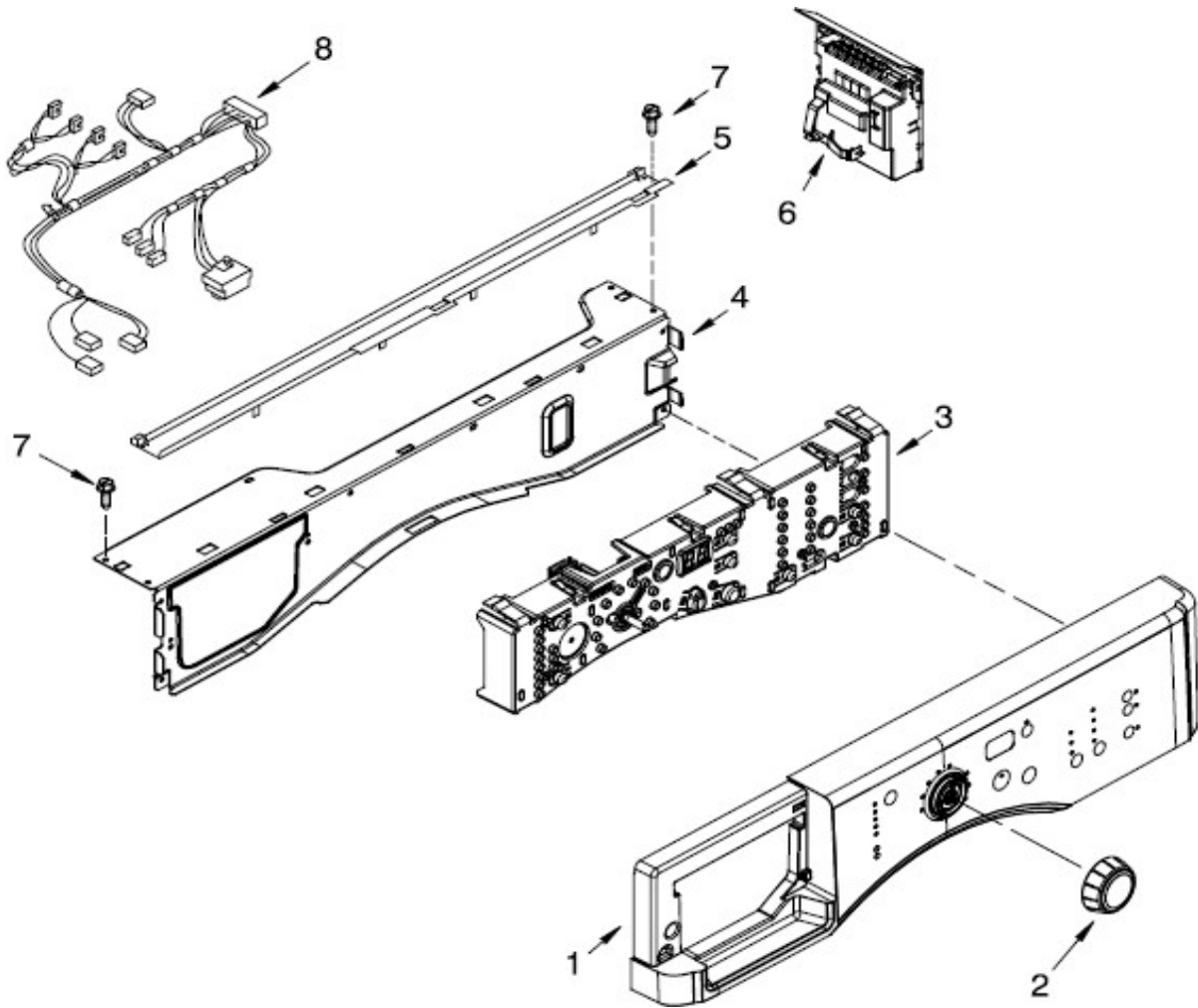
Marca		Maytag	
Capacidad		12 Kgs.	
Color		Blanco	
DOOR AND LATCH			
R e f	Descripción	C a n t	Numero de Parte
1	Bellow	1	8540952
2	Clamp, Bellow (Rear)	1	8540108
3	Lock, Door	1	8540772
4	Screw	1	8540725
5	Hook, Door	1	8540221
6	Handle, Door	1	W10117475
7	Trim Ring, Outer Door	1	W10150081
8	Clamp, Bellow (Front)	1	8540107
9	Clamp, Support	1	8540115
10	Clamp, Glass	1	8540114
11	Screw	1	8540513
12	Frame, Door Front Assembly	1	W10119007
13	Glass, Door	1	W10112078
14	Frame, Door Back Support	1	W10138523
15	Hinge, Door	1	W10118967
16	Screw	1	8540284
17	Screw	1	8540282
18	Screw	1	W10015090
19	Pad, Door Handle	1	W10112927

LAVADORA MMHWZ100TQ0

Color
Blanco

12 kg.
Blanco

CONTROL PANEL



LAVADORA MMHWZ100TQ0

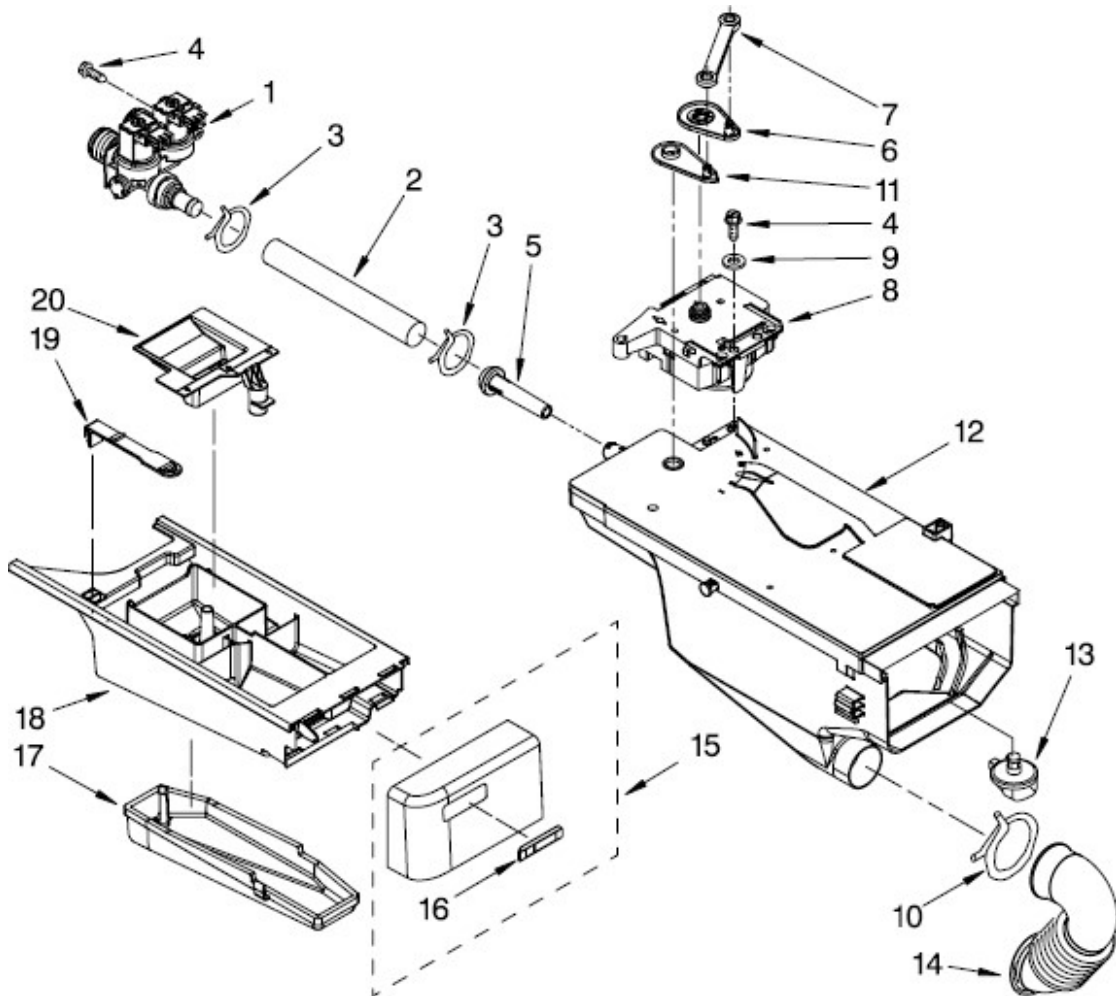
Marca		Maytag	
Capacidad		12 Kgs.	
Color		Blanco	
CONTROL PANEL			
R e f	Descripción	C a n t	Numero de Parte
1	Panel, Control	1	W10117405
2	Knob, Control	1	W10112899
3	User Interface	1	W10117418
4	Brace, Top Front	1	W10161692
5	Channel, Water	1	8540722
6	Microcomputer, Machine Control	1	W10205976
7	Screw,	1	W10015090
8	Harness, Wiring (Main)	1	W10184855

LAVADORA MMHWZ100TQ0

Color
Blanco

12 kg.
Blanco

DISPENSER



LAVADORA MMHWZ100TQ0

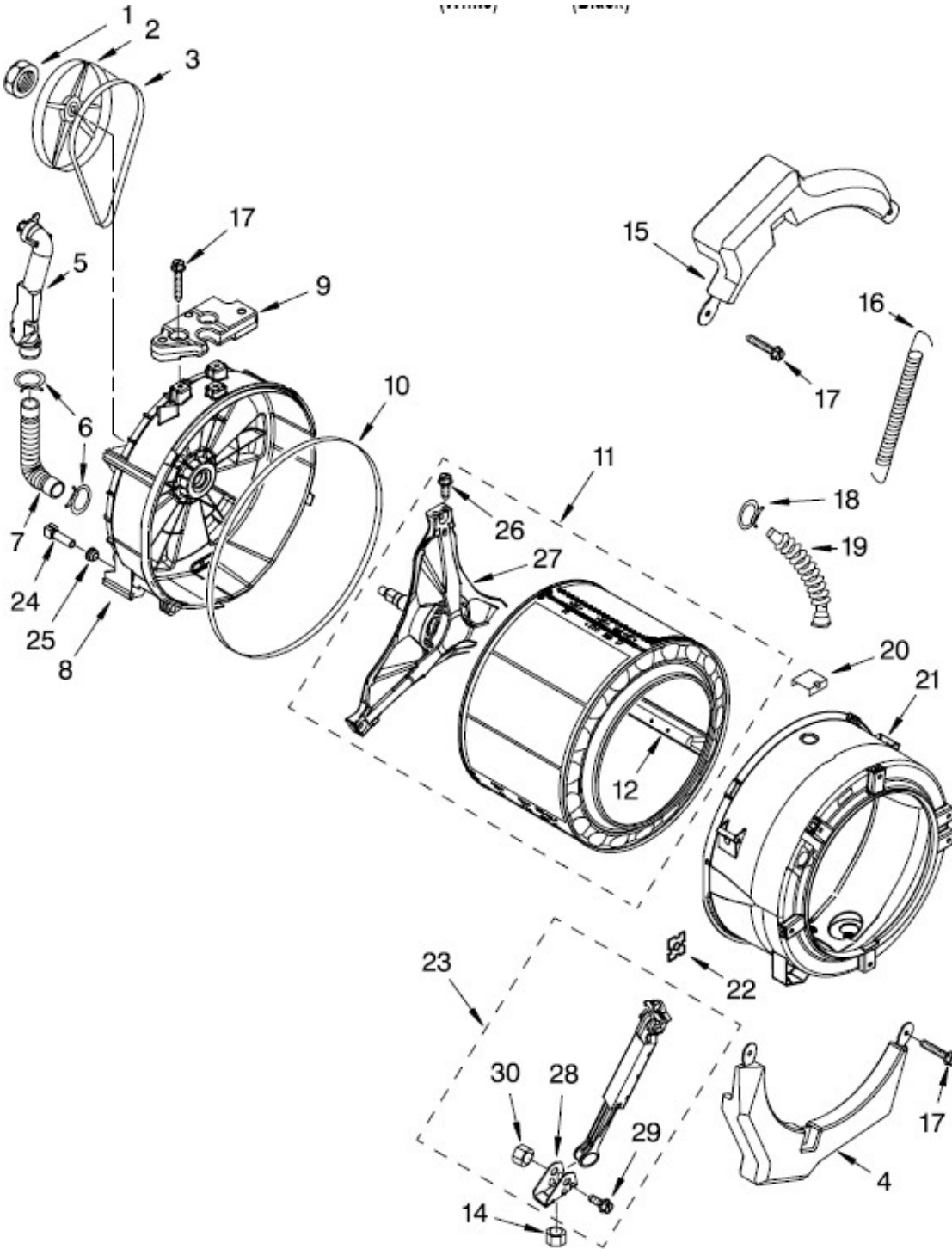
Marca		Maytag	
Capacidad		12 Kgs.	
Color		Blanco	
R e f	Descripción	C a n t	Numero de Parte
DISPENSER			
1	Valve, Inlet	1	8540751
2	Hose, Valve To Dispenser	1	8540065
3	Clamp, Hose	1	370450
4	Screw	1	8540282
5	Nozzle, Inlet	1	8540042
6	Cam, Actuator	1	8540393
7	Lever, Water Distribution	1	8540394
8	Actuator	1	W10143586
9	Washer	**	**
10	Clamp, Hose	1	8281276
11	Connection, Lever	1	8540395
12	Dispenser	1	8540058
13	Nozzle, Distribution	1	8540053
14	Hose, Dispenser To Tub	1	8540063
15	Handle, Drawer	1	W10118955
16	Badge Assembly	1	W10112569
17	Cover, Detergent Drawer	1	8540399
18	Drawer, Detergent	1	8540402
19	Hook, Drawer	1	W10003170
20	Siphon, Bleach/Softener	1	8540429

LAVADORA MMHWZ100TQ0

Color
Blanco

12 kg.
Blanco

TUB AND BASKET



LAVADORA MMHWZ100TQ0

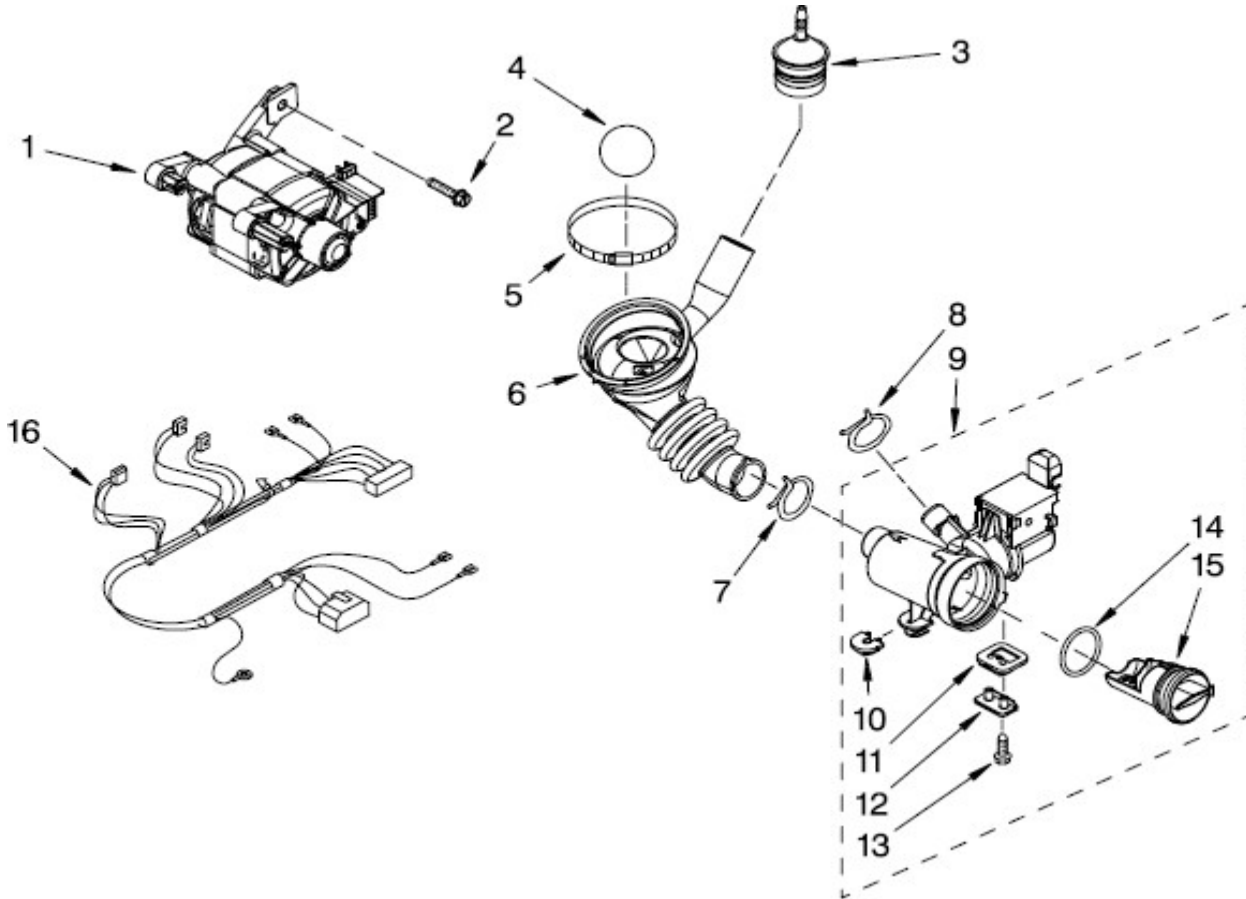
Marca		Maytag	
Capacidad		12 Kgs.	
Color		Blanco	
R e f	Descripción	C a n t	Numero de Parte
TUB AND BASKET			
1	Nut, Pulley	1	8533999
2	Pulley	1	8540088C
3	Belt, Drive	1	W10116215
4	Counterweight, Front Lower	1	W10151304
5	Pipe, Ventilation	1	W10112169
6	Clamp, Vent Hose	1	8540010
7	Hose, Exhaust	1	8540019
8	Tub, Rear (Includes Items 10, 21 & 22)	1	W10202943
9	Counterweight, Rear	1	8540604
10	Gasket, Tub	1	8540090
11	Basket, Complete	1	W10112984
12	Baffle, Tub	1	W10112972
14	Nut, Shock Absorber Mounting	*	***
15	Counterweight, Front Upper	1	W10151303
16	Spring, Suspension	2	W10010360
17	Bolt, Counterweight Mtg.	1	W10094780
18	Clamp, Hose	1	3363365
19	Hose, Exhaust	1	8540015
20	Clamp, Tub	1	8540092
21	Tub, Front (Includes Items 8, 10 & 22)	1	W10112661
22	Nut, Push-In	1	8540072
23	Shock Absorber	1	W10159465
24	Negative Thermistor Control	1	8540226
25	Seal, Rubber	1	8540766
26	Screw	1	8540382
27	Crosspiece Assembly	1	8540342
28	Bracket, Shock Absorber Mounting	*	***
29	Bolt, Shock Brkt.	*	***
30	Nut, Shock Brkt	*	***

LAVADORA MMHWZ100TQ0

Color
Blanco

12 kg.
Blanco

PUMP AND MOTOR





LAVADORA MMHWZ100TQ0

Marca		Maytag	
Capacidad		12 Kgs.	
Color		Blanco	
R e f	Descripción	C a n t	Numero de Parte
PUMP AND MOTOR			
1	Motor, Drive	1	W10140581
2	Bolt, Motor	1	8540134
3	Air Trap	1	8540180
4	Ball	1	8540013
5	Clamp	1	8540008
6	Hose, Tub to Pump	1	8540012
7	Clamp, Hose	1	370448
8	Clamp, Drain Hose	1	356138
9	Pump (Complete)	1	W10130913
10	Foot, Rubber (Slider)	1	W10034820
11	Foot, Rubber (Lock)	1	W10034830
12	Cap, Lock Foot	1	8540033
13	Screw, 10-16 x 1.25 (2)	1	8533964
14	Seal, Filter Cap	1	8540025
15	Filter Assembly (Includes Item 14)	1	8540028
16	Harness, Motor	1	W10204534

SI USTED NECESITA COMPRAR REFACCIONES

PIDA LA REFACCIÓN POR CÓDIGO DE NÚMERO DE PARTE
O LLAME AL TELÉFONO DE VENTA DE REFACCIONES:

01800-8212345

01800-7153962

FAX: (01-81) 8329-2103

DUDAS TÉCNICAS

LLAME AL TELÉFONO DE LÍNEA TÉCNICA:
01800-7153964

FAX: (01-81) 8329-2109

[http: // www.whirlpool-service.com.mx](http://www.whirlpool-service.com.mx)

ELABORADO POR:
INGENIERÍA DE SERVICIO / C.J.G. / 2009
WHIRLPOOL SERVICE