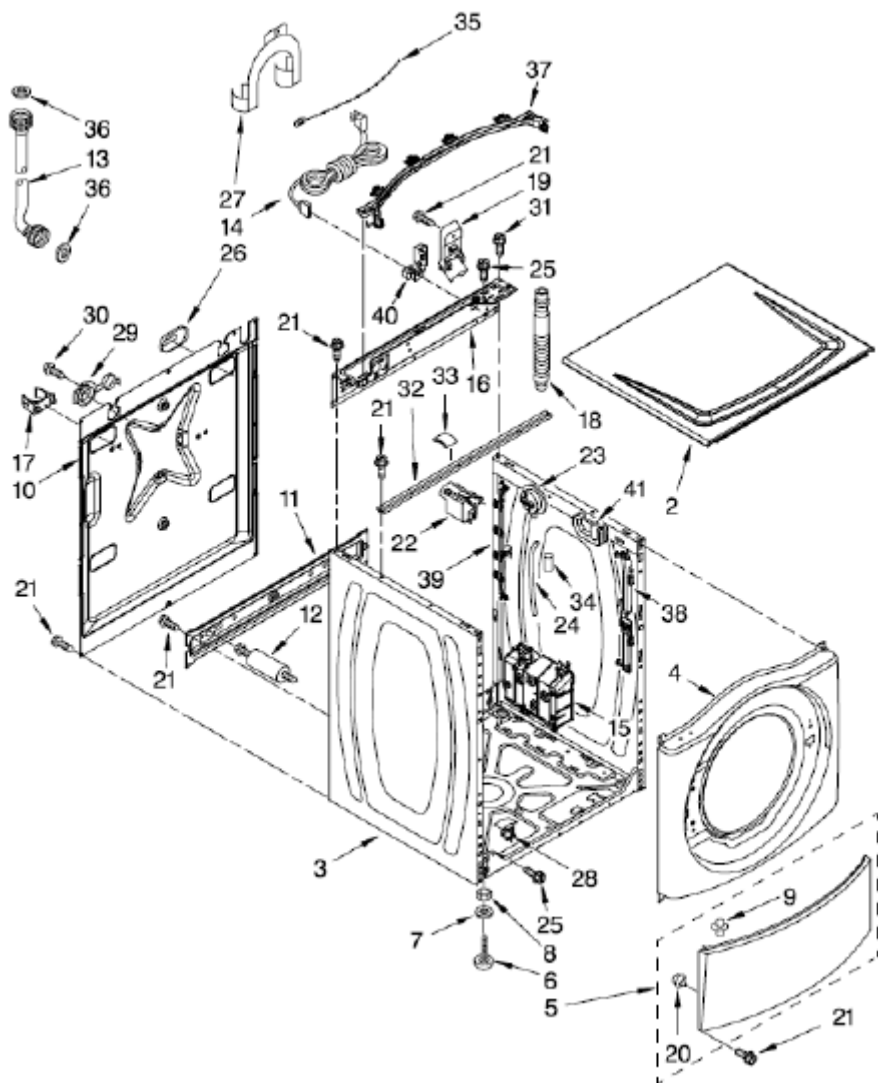


Distribuidor Autorizado

SurteRápido.com

Venta de Refacciones
Electrodomesticas

MMHWZ600TB00 GABINETE



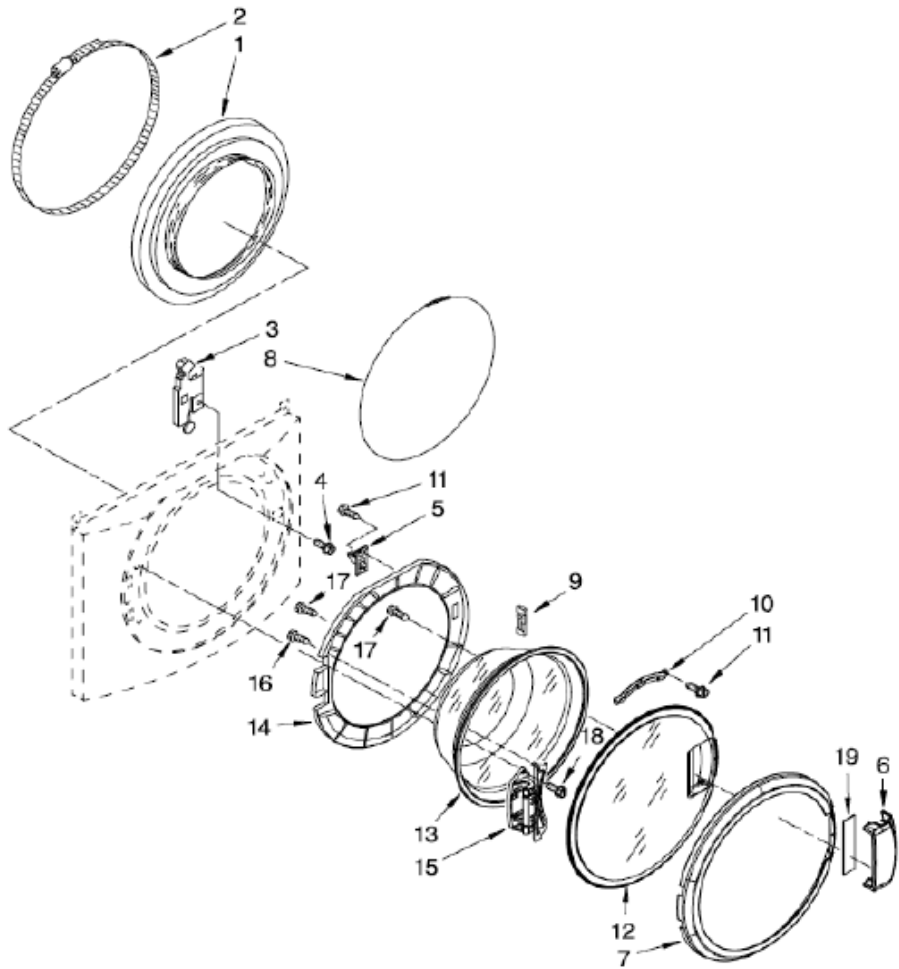


MMHWZ600TB00 GABINETE

2	W10128645	TOP
3	W10117456	CABINET
4	W10117457	PANEL, FRONT
5	W10112981	TOE PANEL
6	W10121677	FOOT, LEVELING
7	****	WASHER, PLASTIC
8	3359452	NUT, LOCK
9	8518891	RIVET
10	8540580	PANEL, REAR
11	8540581	BRACE, TRANSPORT
12	8540199	BOLT, SHIPPING
13	W10194208	HOSE, WATER INLET BLUE COUPLER
13	8571378	HOSE, WATER INLET RED COUPLER
14	W10121405	CORD, POWER
15	W10163007	MOTOR CONTROL UNIT
16	W10161694	BRACE, REAR
17	W10182936	CLAMP, TUBE TRANSPORTATION
18	W10114608	HOSE, DRAIN
19	8540607	RETAINER, HOSE OUTLET
20	238614	BUMPER
21	W10015090	SCREW, 8-18 X 5/8
22	8540230	FILTER, INTERFERENCE
23	W10163980	SWITCH, PRESSURE
24	8540294	HOSE, PRESSURE SWITCH
25	8540479	SCREW, GROUNDING
26	8540268	COVER, TRANSPORT
27	8540021	U-BEND, DRAIN HOSE
28	W10085220	MICROSWITCH
29	8540728	SLEEVE, CORD SUPPORT
30	8540727	SCREW
31	8540329	SCREW
32	8540721	BRACE, TOP
33	8283273	DAMPER, BRACE

34	2161302	SLEEVE, PRESSURE SWITCH HOSE
35	3347868	CABLE TIE
36	16123A	WASHER, WATER INLET HOSE
37	W10168548	HARNESS CHANNEL, TOP REAR
38	W10168546	HARNESS CHANNEL, SIDE FRONT
39	W10168547	HARNESS CHANNEL, SIDE REAR
40	W10110676	STRAIN RELIEF, POWER CORD
41	8540644	BRACKET, SPRING

MMHWZ600TB00 PUERTA

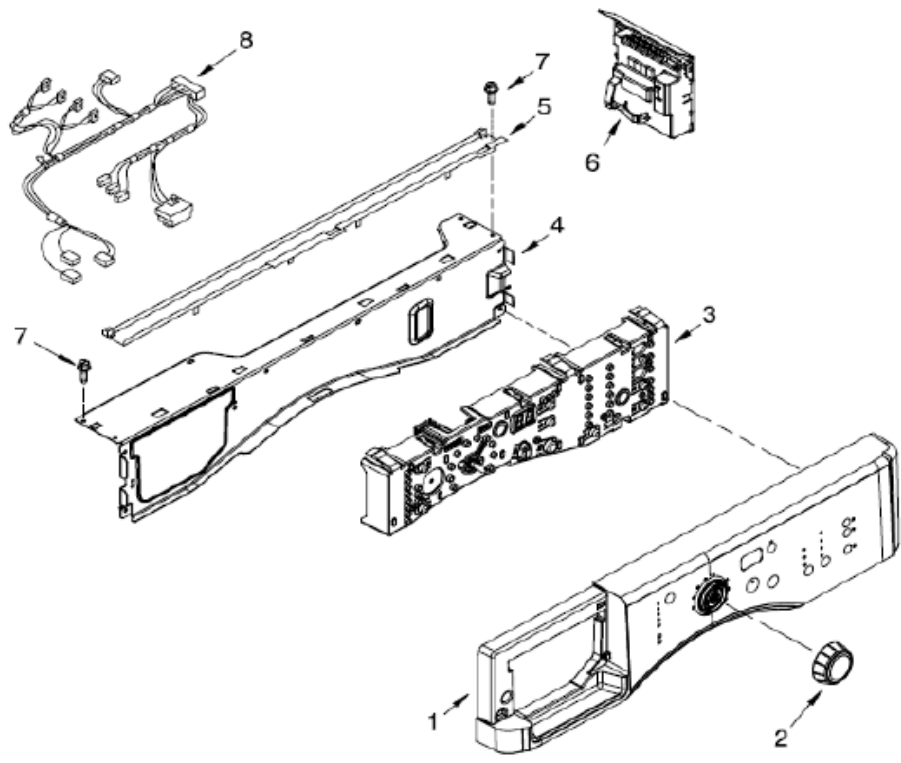




MMHWZ600TB00 PUERTA

1	8540952	BELLOW
2	8540108	CLAMP, BELLOW (REAR)
3	8540772	LOCK, DOOR
4	8540725	SCREW
5	8540221	HOOK, DOOR
6	W10117475	HANDLE, DOOR
7	W10150081	TRIM RING, OUTER DOOR
8	8540107	CLAMP, BELLOW (FRONT)
9	8540115	CLAMP, SUPPORT
10	8540114	CLAMP, GLASS
11	8540513	SCREW
12	W10119007	FRAME, DOOR FRONT ASSEMBLY
13	W10112078	GLASS, DOOR
14	W10138523	FRAME, DOOR BACK SUPPORT
15	W10118967	HINGE, DOOR
16	8540284	SCREW
17	8540282	SCREW
18	W10015090	SCREW
19	W10112927	PAD, DOOR HANDLE

MMHWZ600TB00 TABLERO

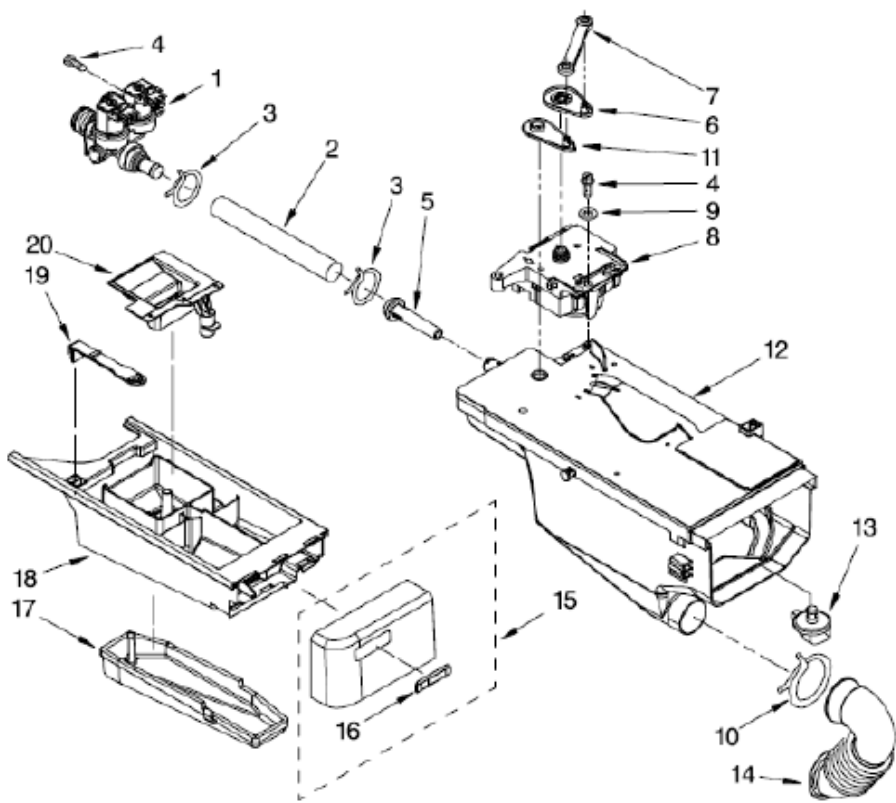




MMHWZ600TB00 TABLERO

1	W10117413	PANEL, CONTROL
2	W10119050	KNOB, CONTROL
3	W10117419	USER INTERFACE
4	W10161692	BRACE, TOP FRONT
5	8540722	CHANNEL, WATER
6	W10160260	MICROCOMPUTER, MACHINE CONTROL
7	W10015090	SCREW
8	W10184856	HARNESS, WIRING (MAIN)

MMHWZ600TB00 DISPENSADOR

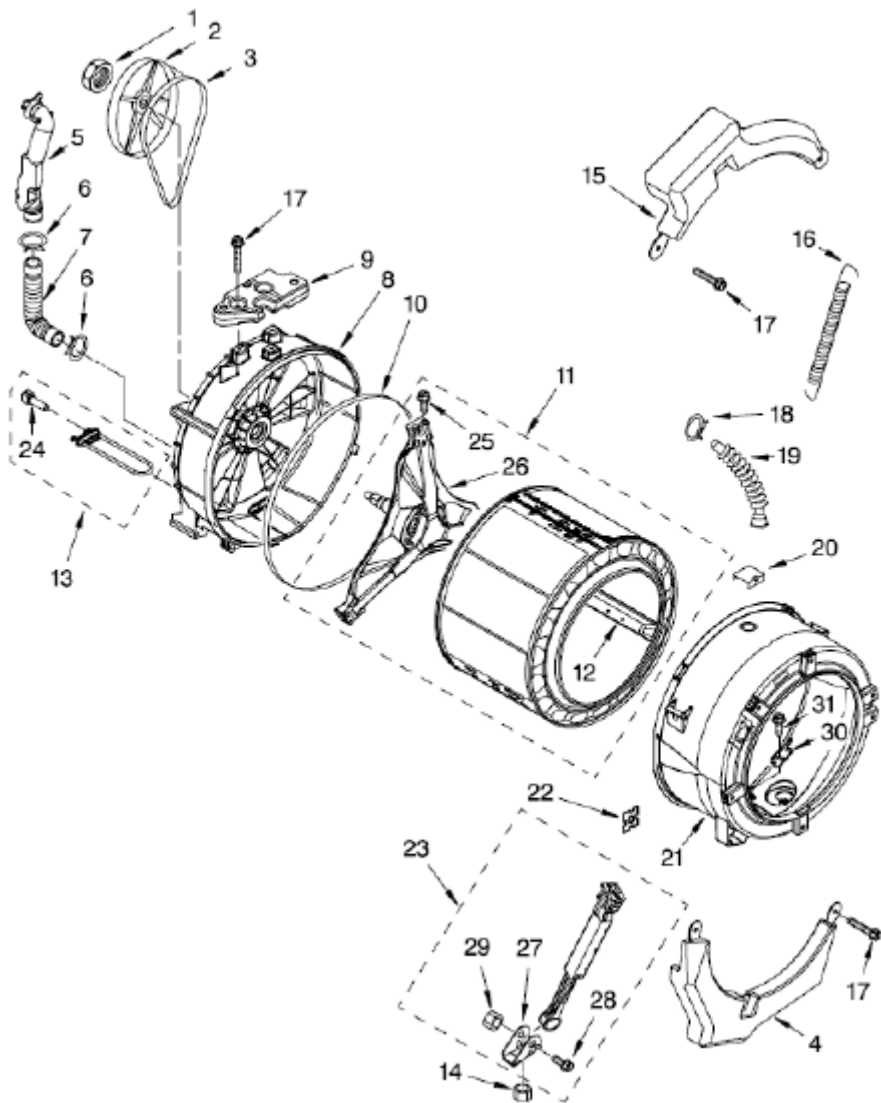




MMHWZ600TB00 DISPENSADOR

1	8540751	VALVE, INLET
2	8540065	HOSE, VALVE TO DISPENSER
3	370450	CLAMP, HOSE
4	8540282	SCREW
5	8540042	NOZZLE, INLET
6	8540393	CAM, ACTUATOR
7	8540394	LEVER, WATER DISTRIBUTION
8	W10143586	ACTUATOR
9	W10155321	WASHER
10	8281276	CLAMP, HOSE
11	8540395	CONNECTION, LEVER
12	8540058	DISPENSER
13	8540053	NOZZLE, DISTRIBUTION
14	8540063	HOSE, DISPENSER TO TUB
15	W10118961	HANDLE, DRAWER
16	W10112569	BADGE ASSEMBLY
17	8540399	COVER, DETERGENT DRAWER
18	8540402	DRAWER, DETERGENT
19	W10003170	HOOK, DRAWER
20	8540429	SIPHON, BLEACH/SOFTENER

MMHWZ600TB00 TINA

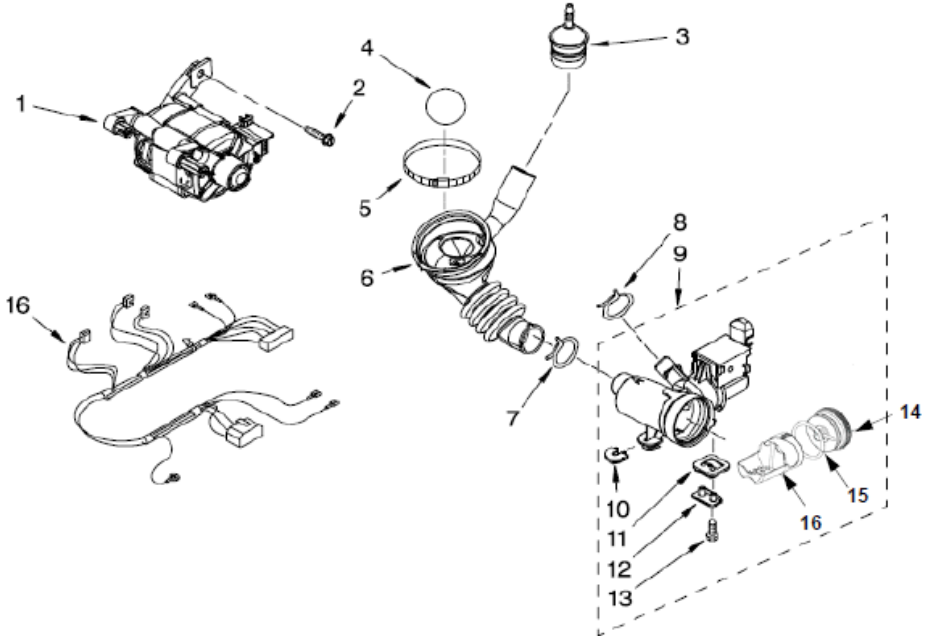




MMHWZ600TB00 TINA

1	8533999	NUT, PULLEY
2	8540088C	PULLEY
3	W10116215	BELT, DRIVE
4	W10151304	COUNTERWEIGHT, FRONT LOWER
5	W10112169	PIPE, VENTILATION
6	8540010	CLAMP, VENT HOSE
7	8540019	HOSE, EXHAUST
8	W10202944	TUB, REAR (INCLUDES ITEMS 10, 21 & 22)
9	8540604	COUNTERWEIGHT, REAR
10	8540090	GASKET, TUB
11	W10112984	BASKET, COMPLETE
12	W10112972	BAFFLE, TUB
13	W10155115	ELEMENT, HEATING
14	8534084	NUT, SHOCK ABSORBER MOUNTING
15	W10151303	COUNTERWEIGHT, FRONT UPPER
16	W10010360	SPRING, SUSPENSION
17	W10094780	BOLT, COUNTERWEIGHT MTG.
18	3363365	CLAMP, HOSE
19	8540015	HOSE, EXHAUST
20	8540092	CLAMP, TUB
21	W10112664	TUB, FRONT (INCLUDES ITEMS 8, 10, 22, 30 & 31)
22	8540072	NUT, PUSH-IN
23	W10084740	SHOCK ABSORBER
24	8540226	NEGATIVE THERMISTOR CONTROL
25	8540382	SCREW
26	8540342	CROSSPIECE ASSEMBLY
27	8540940	BRACKET, SHOCK ABSORBER MOUNTING
28	8540841	BOLT, SHOCK BRKT.
29	8540842	NUT, SHOCK BRKT.
30	8540322	BRACKET, HEATING ELEMENT
31	8540880	SCREW

MMHWZ600TB00 MOTOR/BOMBA





MMHWZ600TB00 MOTOR/BOMBA

1	W10140581	MOTOR, DRIVE
2	8540134	BOLT, MOTOR
3	8540180	AIR TRAP
4	8540013	BALL
5	8540008	CLAMP
6	8540012	HOSE, TUB TO PUMP
7	370448	CLAMP, HOSE
8	356138	CLAMP, DRAIN HOSE
9	W10130913	PUMP (COMPLETE)
10	W10034820	FOOT, RUBBER (SLIDER)
11	W10034830	FOOT, RUBBER (LOCK)
12	8540033	CAP, LOCK FOOT
13	8533964	SCREW, 10-16 X 1.25
14	8540028	FILTER
15	8540025	SEAL, FILTER
15	W10115555	FILTER ELEMENT
16	W10166993	HARNESS, MOTOR