



1.9 CUBIC FOOT MICROWAVE HOOD

MODELS:

MMV4207JW0 (White)

MMV4207JW00 (White)

MMV4207JB0 (Black)

MMV4207JB00 (Black)

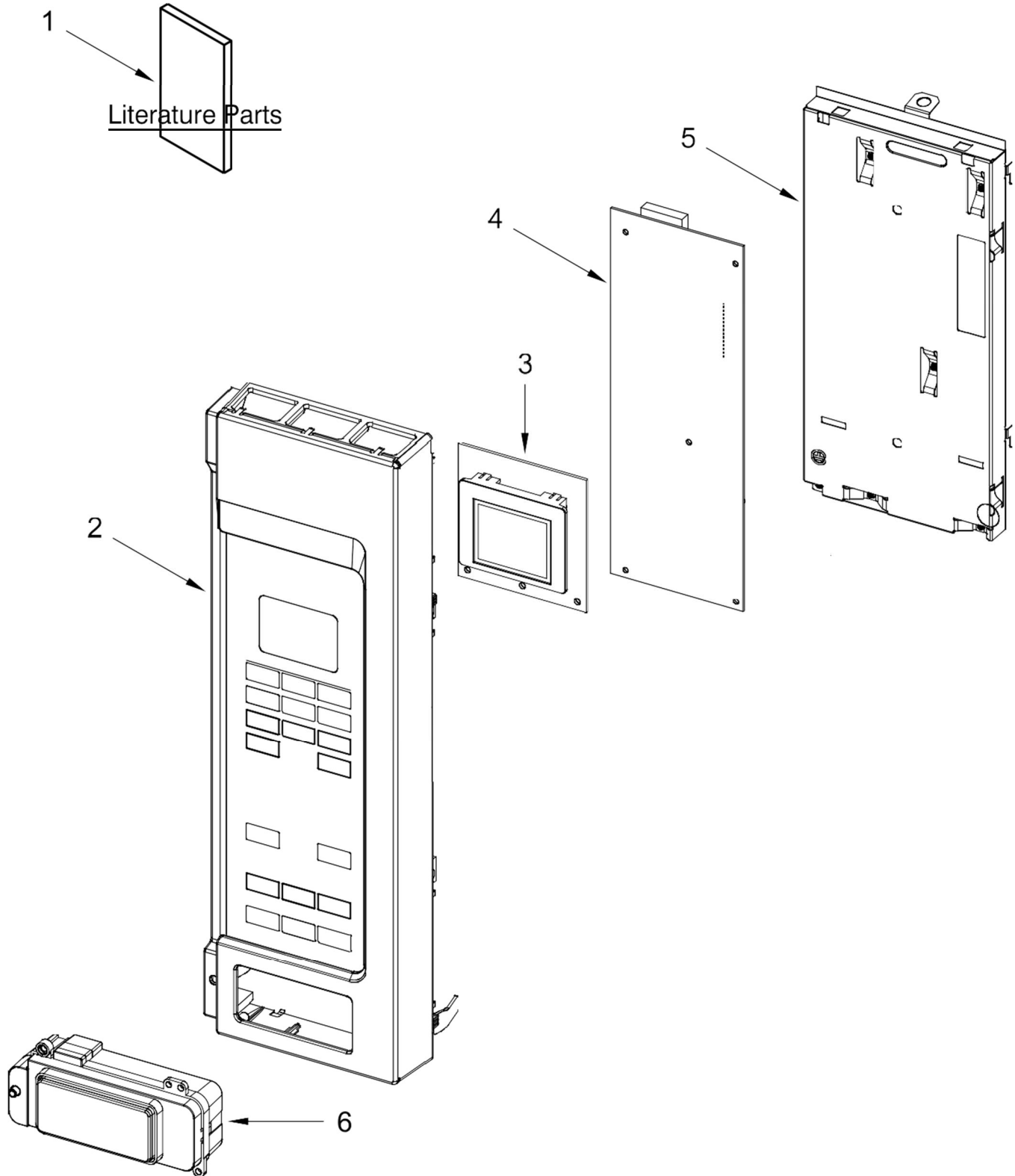
MMV4207JZ0 (Stainless)

MMV4207JZ00 (Stainless)

MMV4207JK0 (Cast Iron Black)

MMV4207JK00 (Cast Iron Black)

MICROONDASMMV4207J



MICROONDASMMV4207J

<u>Illus. No.</u>	<u>Part No.</u>	<u>Description</u>
1		Literature Parts
	W11199602	Installation Instructions
	W11297789	Use and Care Guide
	W11297782	Tech Sheet

<u>Illus. No.</u>	<u>Part No.</u>	<u>Description</u>
2		Assembly, Control Panel
	W11386307	White
	W11386294	Black
	W11386249	Stainless
	W11386250	Cast Iron Black
3	W11318425	PCBA, User Interface
4	W11318422	PCBA, Appliance Control Unit
5	W11292180	Backer, Control

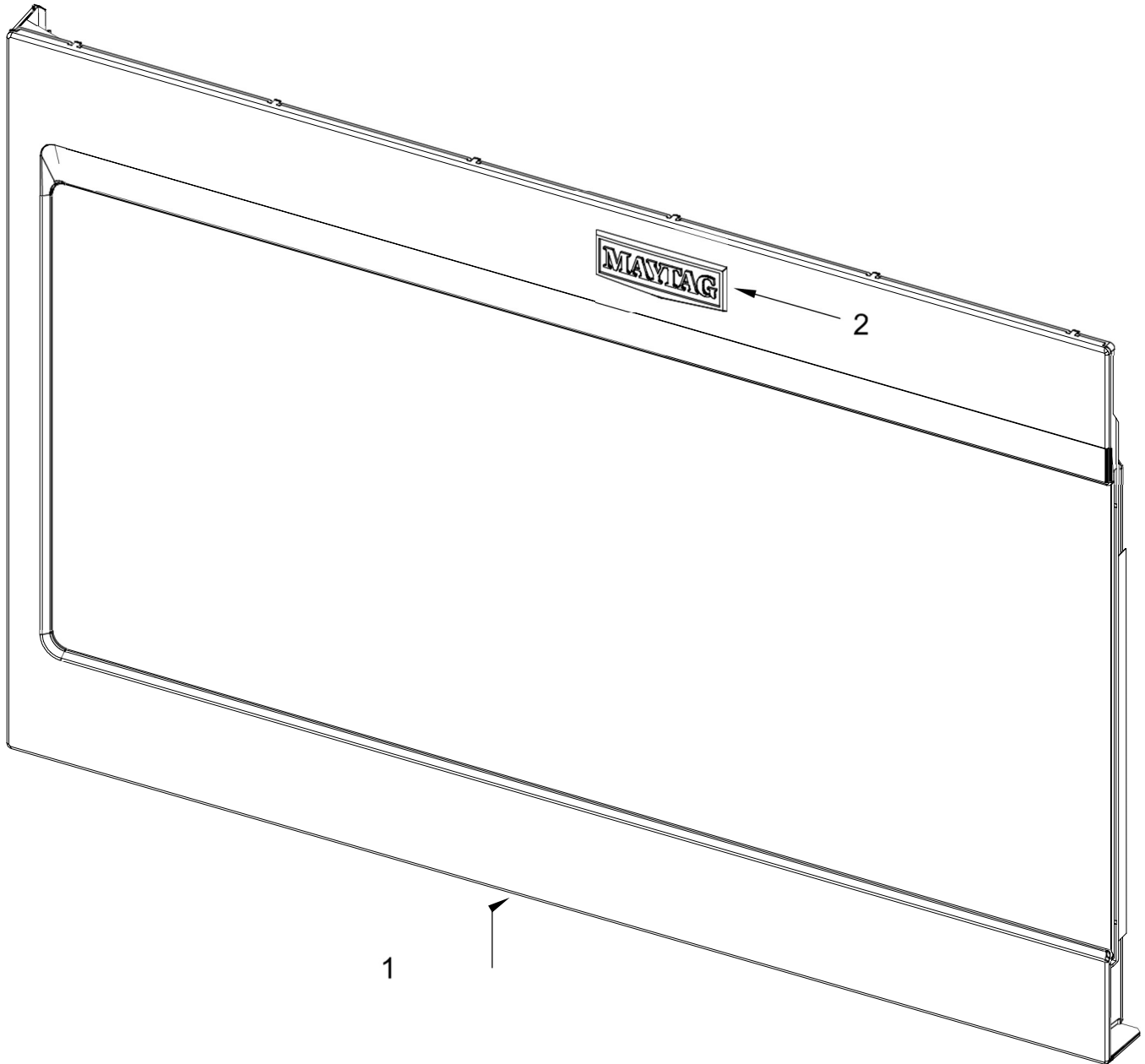
<u>Illus. No.</u>	<u>Part No.</u>	<u>Description</u>
6		Assembly, Push Button
	W11386322	White
	W11386320	Black
	W11386323	Stainless
	W11386319	Cast Iron Black

Distribuidor Autorizado

SurteRápido.com

Venta de Refacciones
Electrodomesticas

MICROONDASMMV4207J

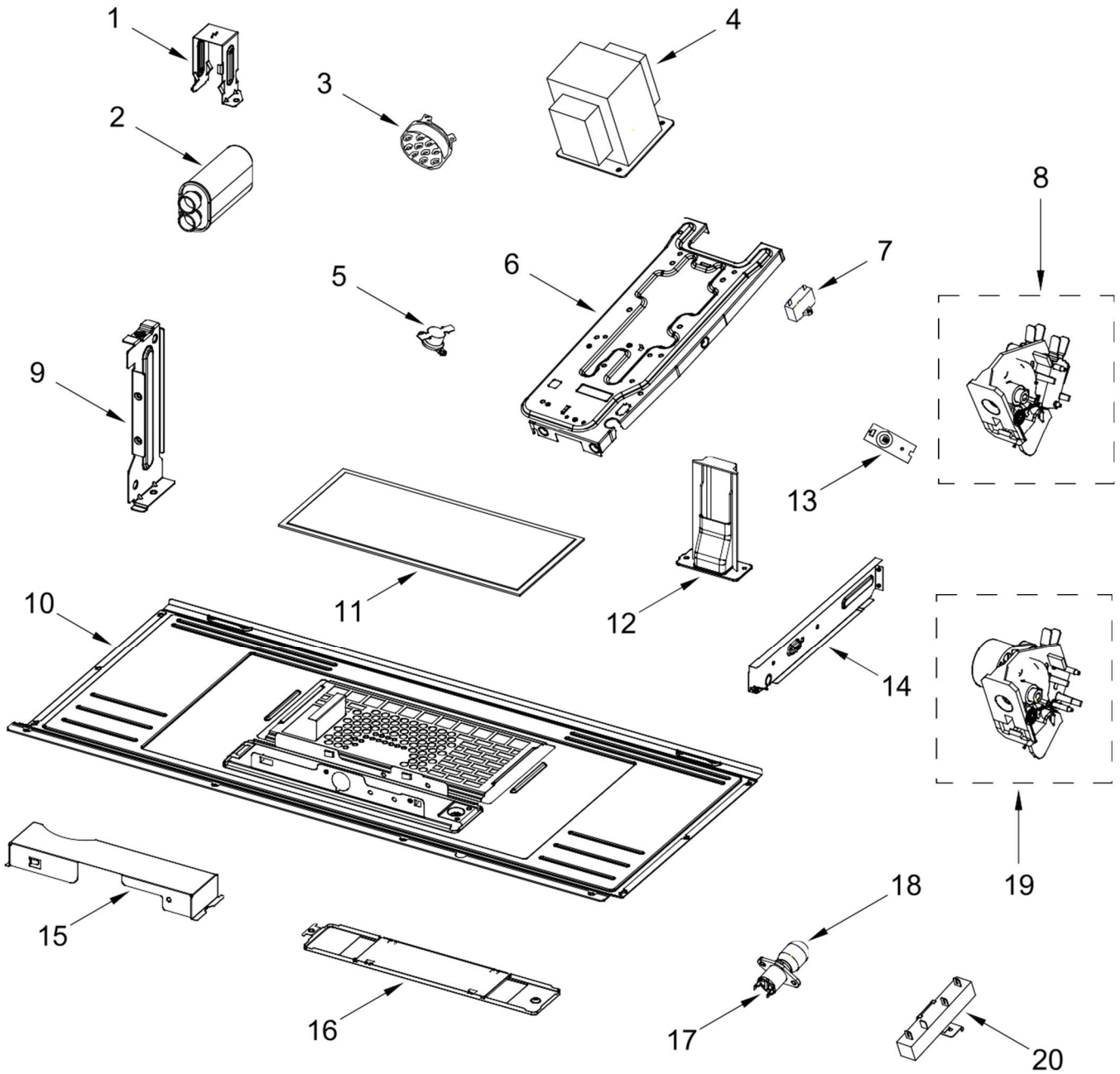




MICROONDASMMV4207J

<u>Illus.</u>	<u>No.</u>	<u>Part No.</u>	<u>Description</u>
	1		Door, Complete
		W11387162	White
		W11387165	Black
		W11387160	Stainless
		W11387167	Cast Iron Black
	2	W10685340	Badge

MICROONDASMMV4207J



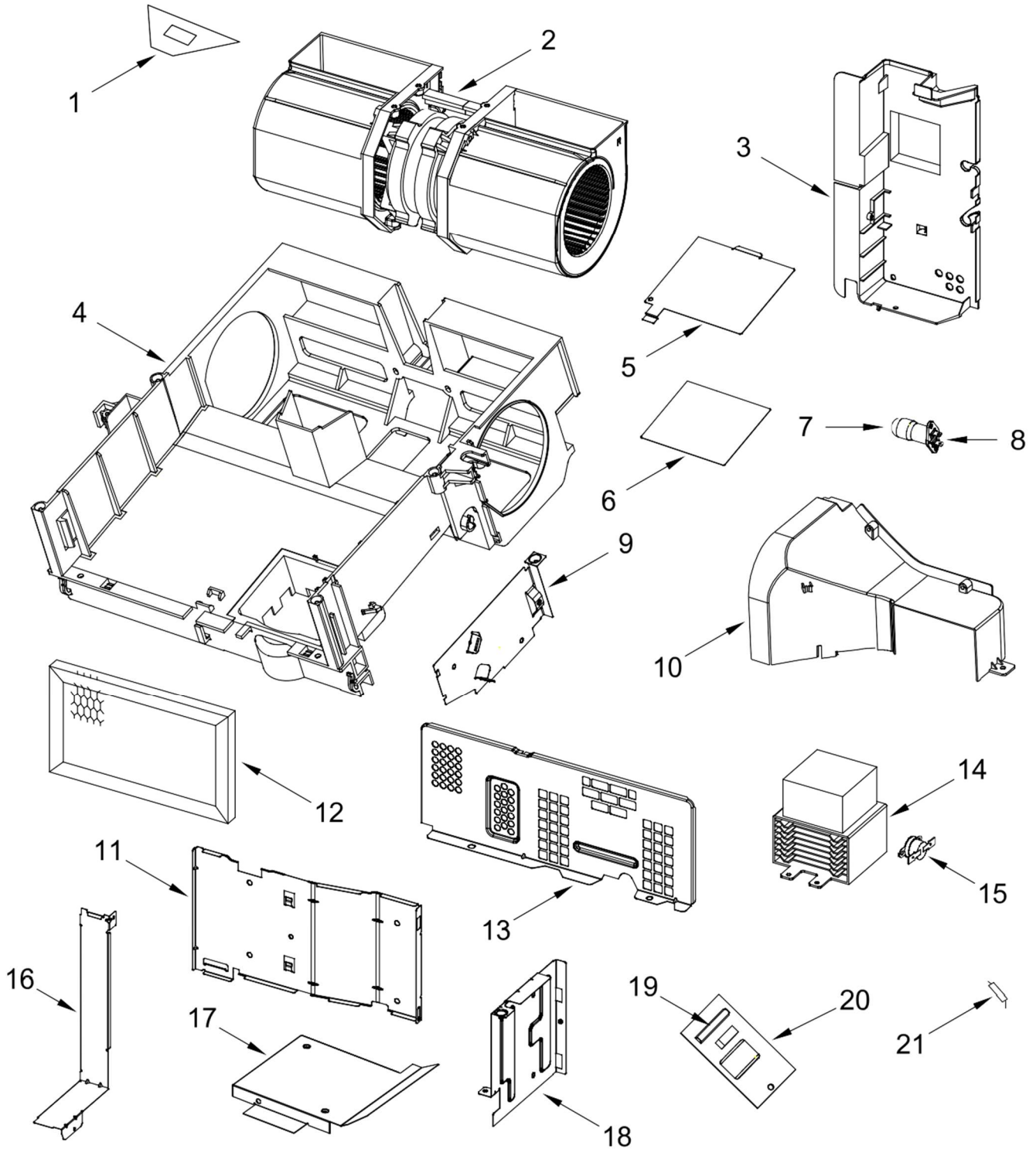
MICROONDASMMV4207J

<u>Illus.</u> <u>No.</u>	<u>Part No.</u>	<u>Description</u>
1	W11265233	Bracket, Capacitor
2	W10343300	Capacitor, High Voltage
3	W10557536	Sensor, Humidity
4	W11043565	Capacitor, High Voltage
5	W10668273	Thermostat, Cavity
6	W11268348	Plate, Chassis
7	W10605897	Capacitor, Hood Motor

<u>Illus.</u> <u>No.</u>	<u>Part No.</u>	<u>Description</u>
8	W11169310	Assembly, Upper Interlock (Includes Switches)
9	W10313275	Bracket, Top Cavity
10	W11295401	Panel, Bottom
11	W11268912	Filter, Grease
12	W11376573	Plate, Waterproof
13	W10163422	Thermistor
14	W11295335	Support, NTC

<u>Illus.</u> <u>No.</u>	<u>Part No.</u>	<u>Description</u>
15	W11361503	Reflector, Lamp
16	W11295403	Cover, Lamp
17	W10210871	Holder, Lamp
18	8206232	Bulb, Lamp
19	W11169312	Assembly, Lower Interlock (Includes Switches)
20	W11259892	Resistor, Cement

MICROONDASMMV4207J



MICROONDASMMV4207J

Illus.
No. Part No. Description

1	W10810142	Socket, Motor Wire
2	W11109701	Motor, Fan
3	W11292618	Air Guide, Lower
4	W11268295	Baseplate, Air Guide
5	8206382	Cover, Lamp
6	W11268331	Glass, Cavity Lamp
7	4393681	Lamp, Cavity
8	W10210878	Socket, Cavity Lamp

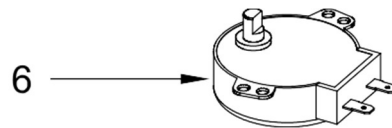
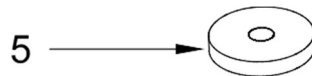
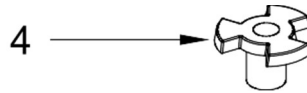
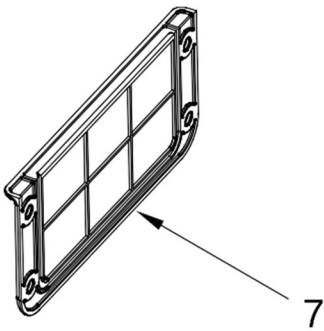
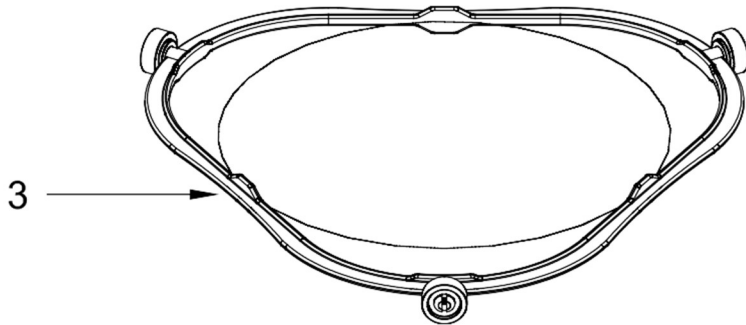
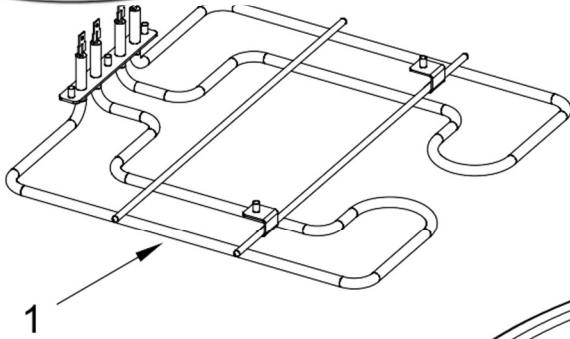
Illus.
No. Part No. Description

9	W11293488	Cover, Right Duct
10	W11283720	Deflector, Air
11	W11268306	Plate, Air Guide Sealing
12	W10845250	Filter, Charcoal
13	W10342991	Shield, Finger
14	W10638903	Magnetron
15	W11360415	Thermostat, Magnetron

Illus.
No. Part No. Description

16	W10828038	Cover, Airguide Inlet
17	W11314197	Support, Sensor
18	W11268304	Guide, Air
19	W10138793	Fuse
20	W10531156	Board, Filter
21	W11222648	Diode, High Voltage

MICROONDASMMV4207J



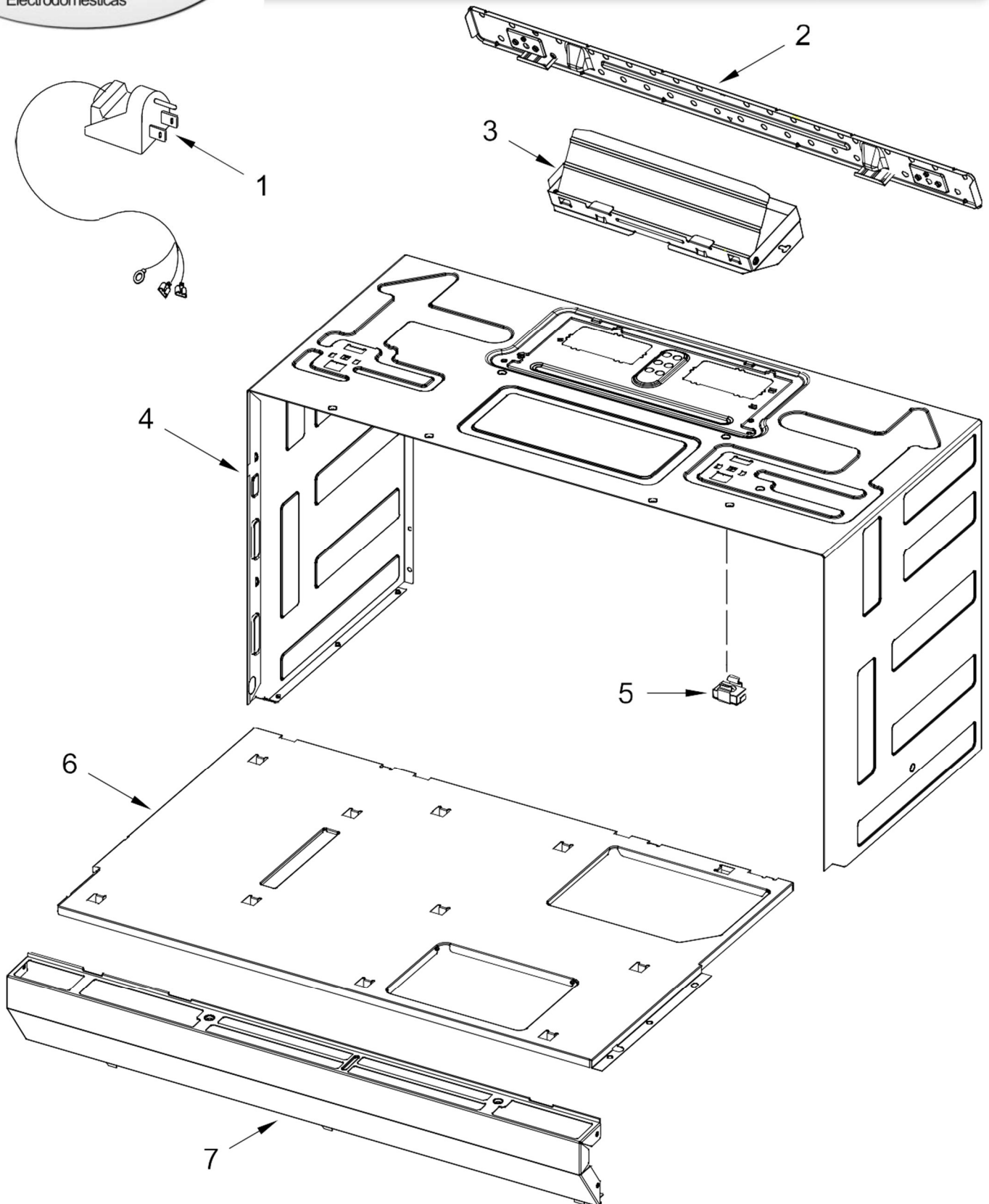
MICROONDASMMV4207J

<u>Illus. No.</u>	<u>Part No.</u>	<u>Description</u>
1	W11268380	Element, Grill
2	W11335034	Turntable
3	W11193600	Ring, Turntable (With Rollers)

<u>Illus. No.</u>	<u>Part No.</u>	<u>Description</u>
4	W11319884	Driver, Turntable
5	8184109	Seal, Waterproof

<u>Illus. No.</u>	<u>Part No.</u>	<u>Description</u>
6	W10642989	Motor, Turntable
7	W11268343	Cover, Waveguide

MICROONDASMMV4207J



MICROONDASMMV4207J

<u>Illus. No.</u>	<u>Part No.</u>	<u>Description</u>
1	W10654511	Cord, Power
2	W11025649	Plate, Mounting
3	W10748710	Damper
4		Case, Outer
	W11446917	White
	W11446916	Black
5	W11122643	Assembly, Mounting Nut
6	W11268327	Assembly, Top Insulation
7		Grille, Vent
	W10845642	White
	W10845643	Black
		MISCELLANEOUS PARTS
	W10821385	Hardware, Installation
	W10190020	Template, Upper (English & Spanish)
	W10190018	Template, Upper (English & French)
	W11243462	Harness, Main
	W10539840	Harness, PCBA Ground Wire
	W11334600	Harness, Magnetron to HVT