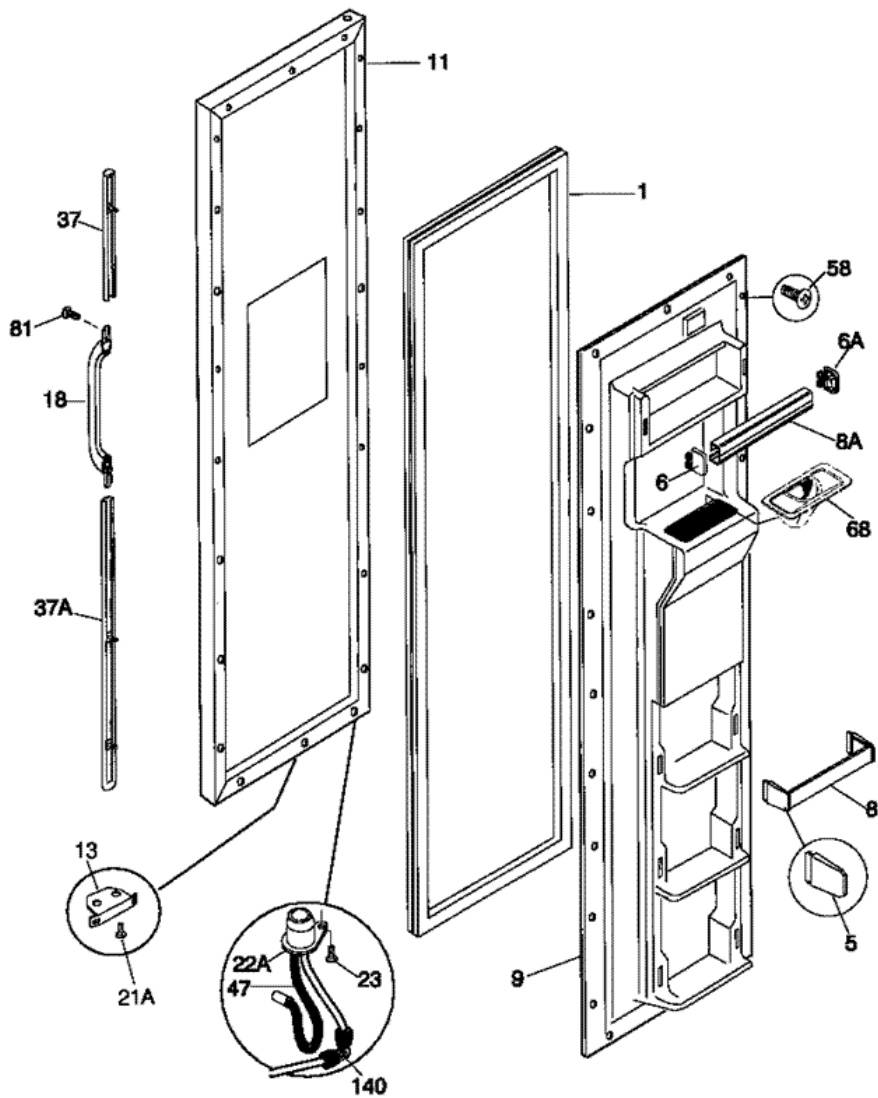


Distribuidor Autorizado

SurteRápido.com

Venta de Refacciones  
Electrodomesticas

# MRS2WNGD0 FREEZER DOOR





## MRS22WNGD0 FREEZER DOOR

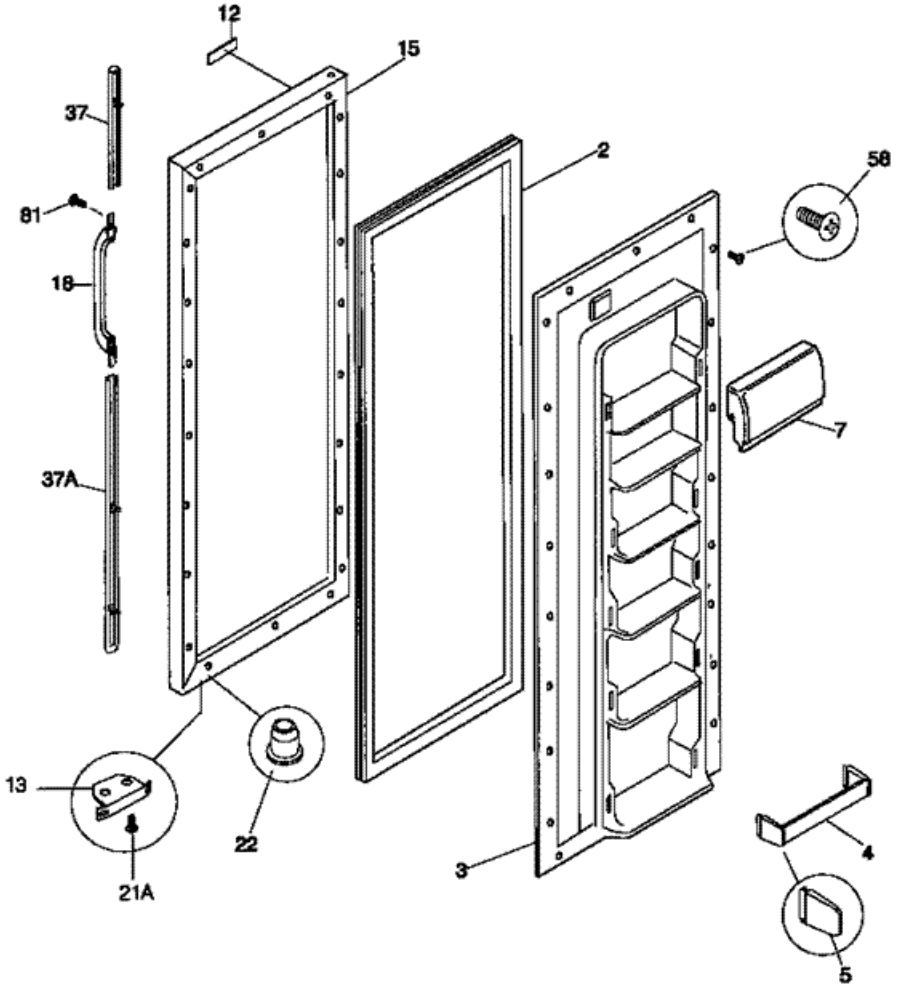
1	215734303	GASKET-FRZR DOOR,ALMOND ,MAGNETIC <b>(S/P)</b>
5	215473602	SUPPORT-DOOR RACK,RH/LH
6	3206165	SUPPORT-DOOR RACK,RH
6	3206166	SUPPORT-DOOR RACK,LH
8	5303301132	RACK-DOOR <b>DESCONTINUADO</b>
8	218027059	RACK-DOOR,(3) <b>(S/P)</b>
9	218510601	PANEL-INNER DOOR,FRZR <b>(S/P)</b>
11	5303917870	PANEL-FRZR DOOR,ALMOND <b>DESCONTINUADO</b>
13	5303289522	DOOR STOP <b>(S/P)</b>
18	5304475972	HANDLE-DOOR,ALMOND <b>(S/P)</b>
21	218578600	SCREW-DOOR STOP MTG,PHL TRUSS HD , <b>(S/P)</b>
22	215615300	BUSHING-DOOR,BRONZE <b>(S/P)</b>
23	5303001020	SCREW,CR FLAT HEAD ,8-32D X 1/2 <b>(S/P)</b>
37	215867084	TRIM-HANDLE,ALMOND ,LOWER ,
37	215867085	TRIM-HANDLE,ALMOND ,UPPER , <b>(S/P)</b>
47	218895301	WIRING HARNESS,FRZR DOOR <b>(S/P)</b>
58	218781100	SCREW,PAN HEAD ,8-18 X 0.625 <b>(S/P)</b>
68	218020600	CHUTE-ICE <b>(S/P)</b>
81	5308016566	SCREW,HEX WSHR HD ,8-15A X 0.625 ,
140	218518700	ELBOW-WATER TUBE <b>(S/P)</b>
37A	215782300	LOCK-HANDLE TRIM,SNAP-IN
*79241	5303917276	INSULATION-DOOR,FIBERGLASS ,(BULK) <b>(S/P)</b>
37B	218906701	LOCK-HANDLE TRIM,STICK-ON <b>(S/P)</b>
*79240	215744100	WASHER-FLAT, .691 X 1 X .05 ,ZINC , <b>(S/P)</b>

Distribuidor Autorizado

SurteRápido.com

Venta de Refacciones  
Electrodomesticas

# MRS22WNGD0 REFRIGERATOR DOOR





## MRS22WNGD0 REFRIGERATOR DOOR

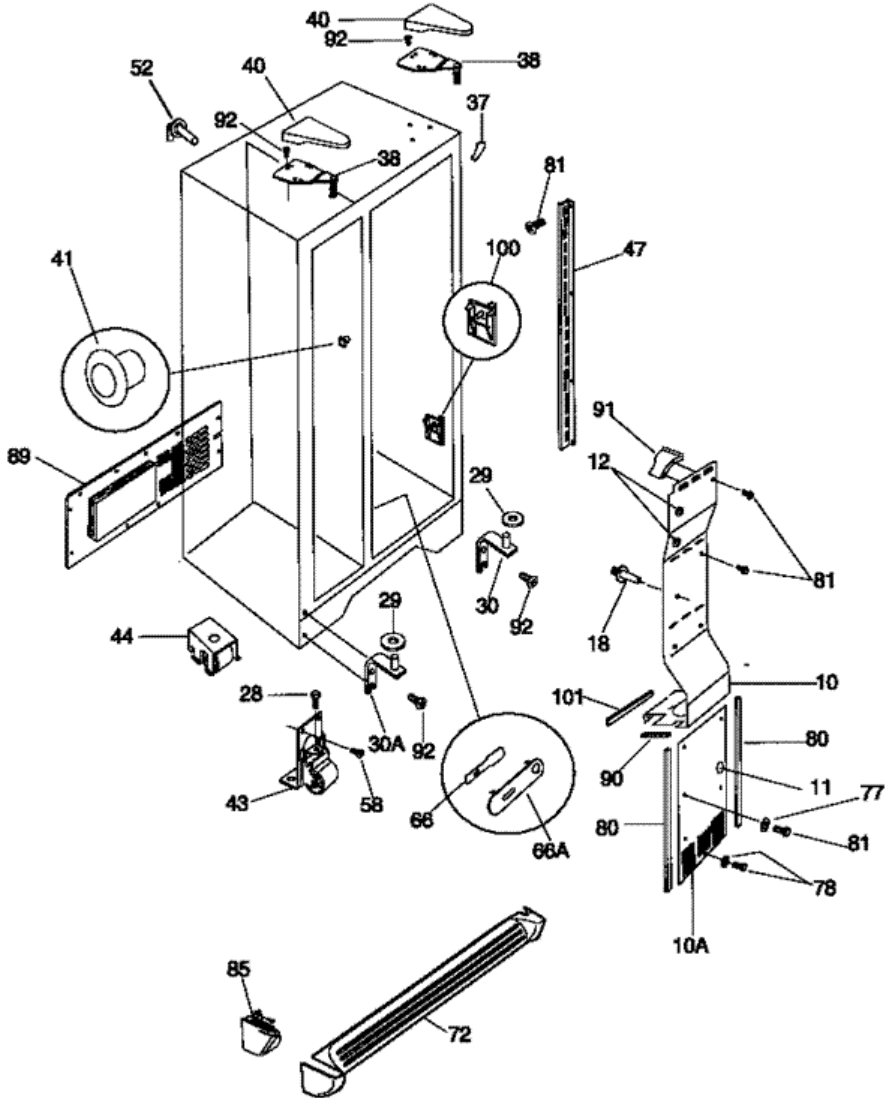
2	215734304	GASKET-REFR DOOR,ALMOND ,MAGNETIC (S/P)
3	215009801	PANEL-INNER DOOR,WHITE <b>DESCONTINUADO</b>
4	215366002	RACK-DOOR (S/P)
5	215267701	SUPPORT-DOOR RACK,``2-LITER`` ,RH/LH
7	215029916	DOOR-DAIRY (S/P)
12	218428205	FRAME-NAMEPLATE,ALMOND (S/P)
13	5303289522	DOOR STOP (S/P)
15	5303917872	PANEL-REFR DOOR,ALMOND (S/P)
18	5304475972	HANDLE-DOOR,ALMOND
21	218578600	SCREW-DOOR STOP MTG,PHL TRUSS HD , (S/P)
22	5303289320	BEARING-HINGE (S/P)
37	215867085	TRIM-HANDLE,ALMOND ,UPPER , (S/P)
37	215867084	TRIM-HANDLE,ALMOND ,LOWER , (S/P)
58	218781100	SCREW,PAN HEAD ,8-18 X 0.625 (S/P)
81	5308016566	SCREW,HEX WSHR HD ,8-15A X 0.625 , (S/P)
37A	215782300	LOCK-HANDLE TRIM,SNAP-IN
37B	218906701	LOCK-HANDLE TRIM,STICK-ON (S/P)
*79243	5303917276	INSULATION-DOOR,FIBERGLASS ,(BULK) (S/P)
*79242	5315340712	TAPE,ADHESIVE ,12`` LONG ,FOAM (S/P)

Distribuidor Autorizado

SurteRápido.com

Venta de Refacciones  
Electrodomesticas

## MRS22WNGD0 CABINET





## MRS22WNGD0 CABINET

10	215637402	COVER-EVAP COIL,LOWER <b>DESCONTINUADO</b>
10	215637602	COVER-AIR DUCT <b>(S/P)</b>
11	5303208309	PLUG-HOLE,FACTORY TEST <b>(S/P)</b>
12	5303001147	PLUG-HARNESS HOLE <b>(S/P)</b>
18	5303289043	SUPPORT-AIR DUCT CVR,2.55" LONG <b>(S/P)</b>
28	5303289062	BOLT-ROLLER ADJ,HEX HEAD ,5/16-24 X 7/8 <b>(S/P)</b>
29	215314301	WASHER,,40 X .75 X .06 ,NYLON <b>(S/P)</b>
30	5303917357	BRACKET-LOWER HINGE,LH ,W/HINGE PIN <b>(S/P)</b>
30	5303917356	BRACKET-LOWER HINGE,RH/LH ,W/HINGE <b>(S/P)</b>
37	5303321082	TRIM-CABINET CORNER,ALMOND <b>(S/P)</b>
40	5303318774	COVER-UPPER HINGE,ALMOND <b>(S/P)</b>
41	5303001609	GROMMET,SHELF/ROD MTG ,RS <b>(S/P)</b>
43	218615300	ROLLER ASSY,FRONT ,(2) <b>(S/P)</b>
44	218738300	ROLLER ASSY,REAR ,(2) <b>(S/P)</b>
47	218659500	CHANNEL-SHELF MTG,SIDE ,(2)
52	215454600	TUBE-WATER,ICE MOLD FILL ,ELBOW <b>(S/P)</b>
58	5308002748	SCREW,HEX WSHR HD ,8-15A X 0.500 <b>(S/P)</b>
66	215050201	DAMPER-MEAT KEEPER <b>DESCONTINUADO</b>
66	218171301	COVER-MEAT KPR DMPR <b>(S/P)</b>
71	218515401	CLIP-GRILLE <b>(S/P)</b>
72	218359605	GRILLE/KICKPLATE,ALMOND <b>(S/P)</b>
77	5303001216	WASHER-NYLON,3/16 X 5/8 OD <b>(S/P)</b>
78	5303274237	SCREW-BRACKET,HEX WSHR HD , <b>(S/P)</b>
81	5308016566	SCREW,HEX WSHR HD ,8-15A X 0.625 , <b>(S/P)</b>
85	218359803	COVER-LOWER HINGE,ALMOND <b>(S/P)</b>
89	215741402	COVER-MACHINE COMPT <b>(S/P)</b>
90	215022602	SEAL-FOAM <b>(S/P)</b>
91	218770000	DEFLECTOR-AIR,AIR DUCT COVER <b>(S/P)</b>
92	5303001479	SCREW-HINGE MTG,HEX HD ,1/4-20 X 0.875 <b>(S/P)</b>
*79258	5303321320	PAINT,TOUCH-UP ,ALMOND <b>DESCONTINUADO</b>
*79245	5303289044	SUPPORT-AIR DUCT CVR,1.83" <b>DESCONTINUADO</b>
*79253	5308009617	WASHER,EXT TOOTH LOCK ,NO. 10 <b>(S/P)</b>
*79250	5308009759	GROMMET,SHELF MTG ,LS <b>(S/P)</b>

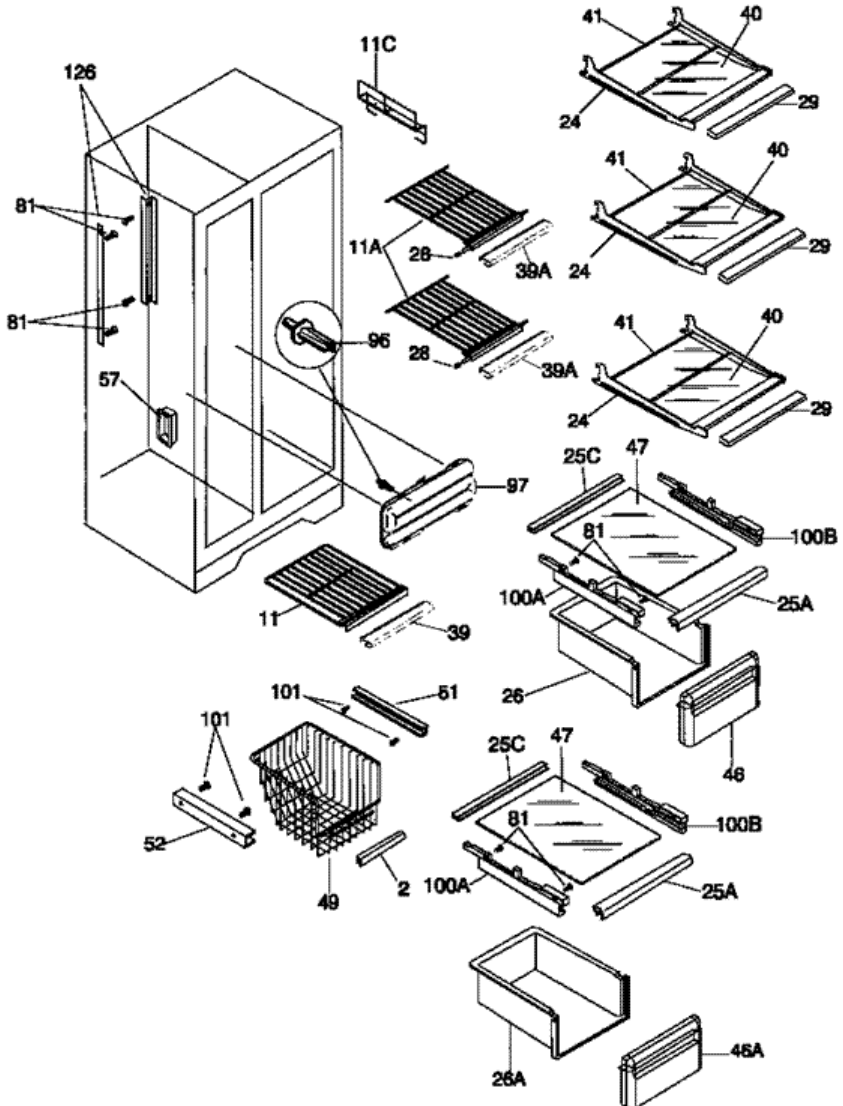
*79251	5308017044	SCREW-ROLLER MTG,SPCL IND HEX HD , (S/P)
*79246	215003200	WASHER,NYLON ,0.363 ID W/NIBS (S/P)
*79260	5308016571	PLUG-BUTTON,CAB LINER HOLES (S/P)
*79254	5303300799	GASKET-COIL COVER,(2) (S/P)
*79257	218964701	DEFLECTOR-AIR,ICE MAKER <b>DESCONTINUADO</b>
80B	218249802	SEAL-COIL COVER,(2) (S/P)
101B	218663102	GASKET-AIR DUCT/LINER (S/P)
*79247	215598900	WASHER-FLAT,.691 X 1 X .05 ,ZINC , (S/P)
*79252	215608400	SCREW-CLIP/GRILLE,PAN HEAD , (S/P)
38B	218215223	BRACKET-UPPER HINGE,WITH CLOSER (S/P)
101A	215305702	SEAL-FOAM (S/P)
38A	218215221	BRACKET-UPPER HINGE,WITH CLOSER , (S/P)
*79249	218730800	TAPPING PLATE,RH <b>DESCONTINUADO</b>
*79248	218730700	TAPPING PLATE,LH (S/P)
80A	218249801	SEAL-COIL COVER,(2) (S/P)
*79255	5303322647	TAPE-FOAM (S/P)
*79244	5303209814	NUT,``U`` TYPE ,8-15A ,FAN MTR MTG (S/P)

Distribuidor Autorizado

SurteRápido.com

Venta de Refacciones  
Electrodomesticas

## MRS22WNGD0 SHELVES







**MRS22WNGD0 SHELVES**

2	5303298147	TRIM-BASKET (S/P)
11	5304408038	SHELF-FREEZER, FIXED WIRE (S/P)
11	5303289504	SHELF-FREEZER, FIXED WIRE <b>DESCONTINUADO</b>
11	218815501	SHELF-PIZZA, 24B (S/P)
11	218298001	SHELF-FREEZER, SLIDING, WIRE <b>DESCONTINUADO</b>
24	215919139	FRAME-REFR SHELF, CANTILEVER (S/P)
25	218015402	TRIM-STORAGE PAN CVR, SNAP-ON, REAR (S/P)
25	218015302	TRIM-STORAGE PAN CVR, SNAP-ON, FRONT (S/P)
26	5303289501	PAN-STORAGE, LOWER (S/P)
26	5303289500	PAN-STORAGE, UPPER
28	8013638	END CAP-SHELF, PROTECTOR, (S/P)
29	215919456	TRIM-REFR SHELF, FRONT, (3) (S/P)
39	215217584	TRIM-FRZR SHELF <b>DESCONTINUADO</b>
39	215217583	TRIM-FRZR SHELF <b>DESCONTINUADO</b>
40	218498156	GLASS-REFR SHELF, GLASS, W/GRAPHICS (S/P)
41	215919815	TRIM-REFR SHELF, REAR (S/P)
46	215042035	FRONT-STORAGE PAN, LOWER <b>DESCONTINUADO</b>
46	215042034	FRONT-STORAGE PAN, UPPER (S/P)
47	215723552	INSERT-PAN COVER, 16.31" X 17.32" (S/P)
49	5303289521	BASKET-SLIDING (S/P)
51	5303288960	HANGER-BASKET, RH
52	215162501	HANGER-BASKET, LH, WITH/SPRING
57	5303271653	FERRULE-INNER (S/P)
81	5308016566	SCREW, HEX WSHR HD, .8-15A X 0.625,
96	215192600	SUPPORT-WATER TANK
97	5303918258	WATER TANK
126A	241674401	CHANNEL, AUGER MTG, LH (S/P)
126B	241674402	CHANNEL, AUGER MTG, RH (S/P)
*79262	215328300	CLIP-SHELF (S/P)
100B	218015601	SUPPORT-PAN COVER, RH
*79261	218159700	SPACER-SHELF (S/P)
*79263	5303001038	WASHER, .28 X .62 X .19, NYLON (S/P)
100A	218015501	SUPPORT-PAN COVER, LH

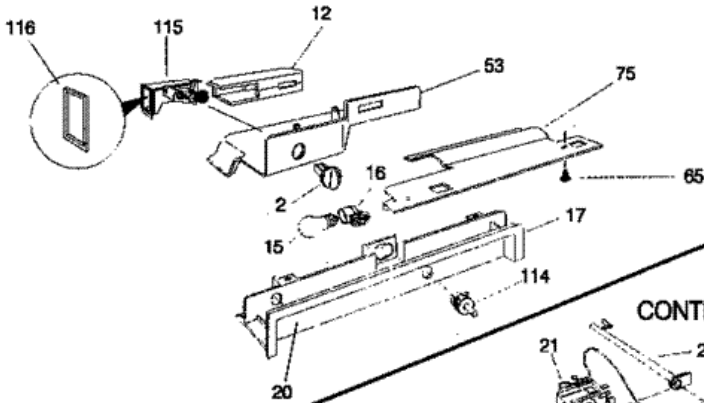
Distribuidor Autorizado

SurteRápido.com

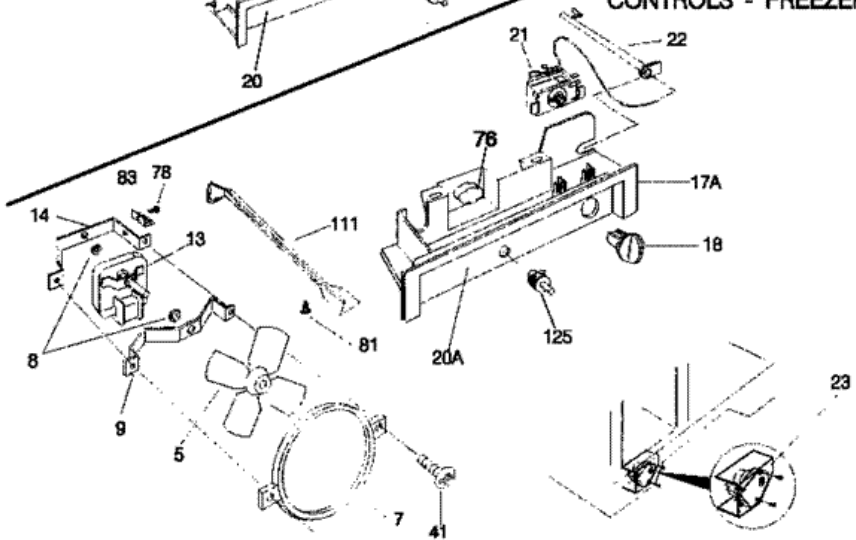
Venta de Refacciones  
Electrodomesticas

## MRS22WNGD0 CONTROLS

### CONTROLS - REF.



### CONTROLS - FREEZER





## MRS22WNGD0 CONTROLS

2	215028605	KNOB-DAMPER CONTROL (S/P)
5	5308000010	FAN BLADE,RED (S/P)
7	5308000124	RING-FAN ORIFICE (S/P)
8	5300157666	BUSHING-MOTOR MTG,(2) (S/P)
9	5304414684	BRACKET-MOTOR MTG,FRONT (S/P)
12	215809600	DIFFUSER-AIR <b>DESCONTINUADO</b>
13	5303299165	MOTOR-EVAP FAN (S/P)
14	5303232992	BRACKET-MOTOR MTG,REAR (S/P)
15	5303013071	LIGHT BULB/LAMP,40 W (S/P)
16	5303289050	SOCKET-LIGHT/LAMP (S/P)
17	5303296805	CONTROL BOX,REFR <b>DESCONTINUADO</b>
18	215051008	KNOB-TEMP CONTROL (S/P)
20	5303310528	LABEL-CONTROL BOX,REFR (S/P)
20	5303310529	LABEL-CONTROL BOX,FRZR (S/P)
21	5303300027	CONTROL-TEMPERATURE (S/P)
22	5303319683	HOUSING-TEMP SENSOR,PLASTIC (S/P)
23	215846602	TIMER-DEFROST
41	5308000039	SCREW,HEX WASHER HEAD (S/P)
53	215809505	BOX-DAMPER CONTROL (S/P)
75	218465101	SHIELD-LIGHT,REFR (S/P)
76	218225800	COVER-LIGHT SOCKET (S/P)
78	5303274237	SCREW-BRACKET,HEX WSHR HD , (S/P)
81	5308016566	SCREW,HEX WSHR HD ,8-15A X 0.625 ,
83	5308000107	BRACKET-CONNECTOR (S/P)
111	5303289024	WIREWAY,FRZR <b>DESCONTINUADO</b>
114	5303289051	SWITCH-LIGHT/LAMP,WHITE (S/P)
115	215011503	DAMPER ASSY,W/SEAL (S/P)
116	215011400	SEAL-DAMPER,FOAM (S/P)
125	215334201	SWITCH-AUGER KILL,WHITE (S/P)
*79265	215474201	Washer,``slinger`` ,nylon ,evap fan shaft (S/P)
*79266	218731104	TUBE,INSULATOR ,PVC ,WHITE , (S/P)
17B	215188300	SCREW-CONTROL BOX MTG,HEX HEAD , (S/P)
*79267	215277000	COVER-DEFROST TIMER,TOP (S/P)

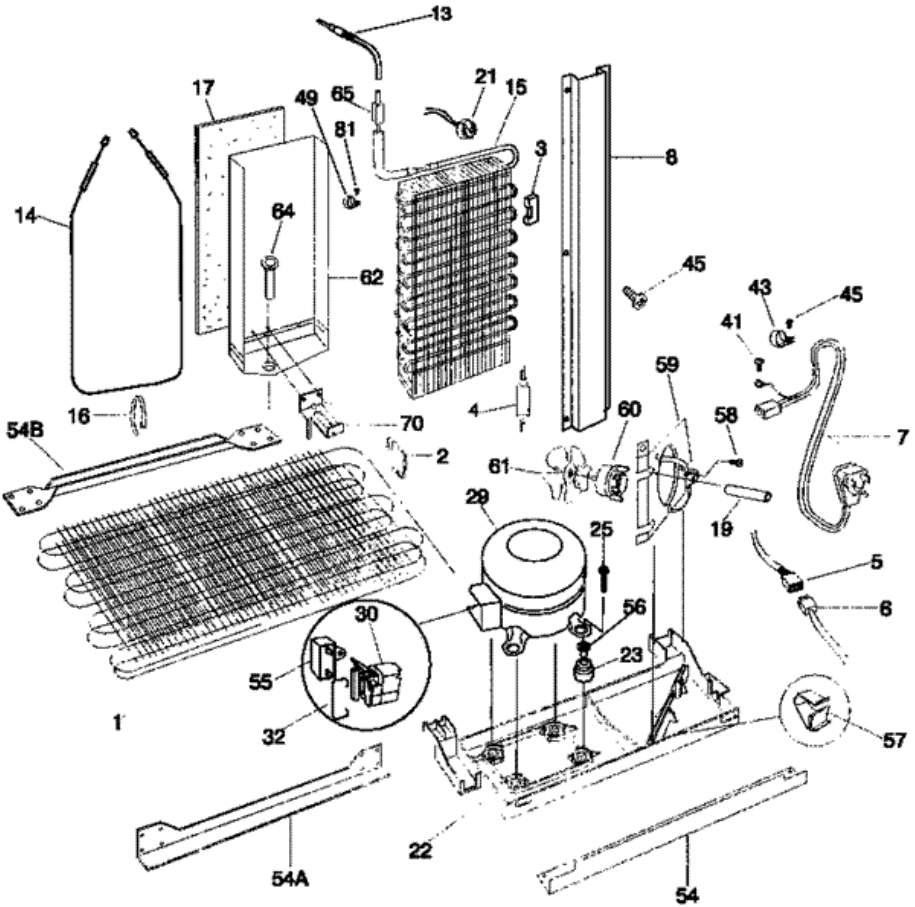
*79269	5303289058	SHIELD-DEFROST TIMR,BTM (S/P)
17A	5303296581	CONTROL BOX,FRZR (S/P)
*79268	5303001259	SCREW-TIMER MTG,PAN HD ,6-20 X 0.438 (S/P)
*79264	5303209814	NUT,``U`` TYPE ,8-15A ,FAN MTR MTG (S/P)

Distribuidor Autorizado

SurteRápido.com

Venta de Refacciones  
Electrodomesticas

## MRS22WNGD0 SYSTEM





## MRS22WNGD0 SYSTEM

1	5304439516	CONDENSER (S/P)
2	5303289029	CLIP-COND MTG,(4) (S/P)
3	218679603	BLOCK-EVAP COIL,STYROFOAM ,(2) (S/P)
4	5303305677	DRIER-FILTER,R134A SYSTEM (S/P)
5	218646100	WIRING HARNESS,MAIN <b>DESCONTINUADO</b>
6	218741500	WIRING HARNESS,MACHINE COMPT (S/P)
7	215459201	CORD-ELECTRIC POWER (S/P)
8	218803400	COVER-WIRING (S/P)
13	215006701	HEAT EXCHANGER,SUCTION <b>DESCONTINUADO</b>
14	218169802	HEATER-DEFROST
15	218691301	EVAPORATOR,R134A SYSTEM (S/P)
16	5308000110	STRAP-EVAP/HEATER,ALUMINUM ,(2) (S/P)
17	5303289496	INSULATOR-EVAP (S/P)
19	218631200	TUBE,RUBBER <b>DESCONTINUADO</b>
21	5303917954	THERMOSTAT-DEFROST
22	5304460067	BASE-COMPRESSOR MTG <b>DESCONTINUADO</b>
23	218513300	GROMMET-COMPR MTG,(4) (S/P)
25	218773500	SCREW-COMPRESSOR MTG,HEX WASHER (S/P)
29	218763101	COMPRESSOR,R134A ,W/O ELECTRICALS (S/P)
30	5304426651	STARTER-PTC (S/P)
32	218762900	CLAMP,ELEC CONT MTG ,COMPRESSOR (S/P)
41	5308000039	SCREW,HEX WASHER HEAD (S/P)
43	5303001199	CLAMP-SERVICE CORD,STRAIN RELIEF , (S/P)
49	215506900	BRACKET-EVAP MTG (S/P)
54	5303289292	RAIL-CABINET BASE,FRONT (S/P)
54	5303289311	RAIL-COMPR SUPPORT <b>DESCONTINUADO</b>
54	5303289027	RAIL-CABINET BASE,REAR (S/P)
55	218764601	CAPACITOR-RUN,210-230 VAC (S/P)
56	218769300	INSERT-COMPRESSOR MTG (S/P)
57	218247300	CLIP-WIRING HARNESS (S/P)
58	215004600	SCREW-COND FAN MTR, (S/P)
59	5303289031	SHROUD-COND FAN MTR <b>DESCONTINUADO</b>
60	215501901	MOTOR-CONDENSER FAN (S/P)

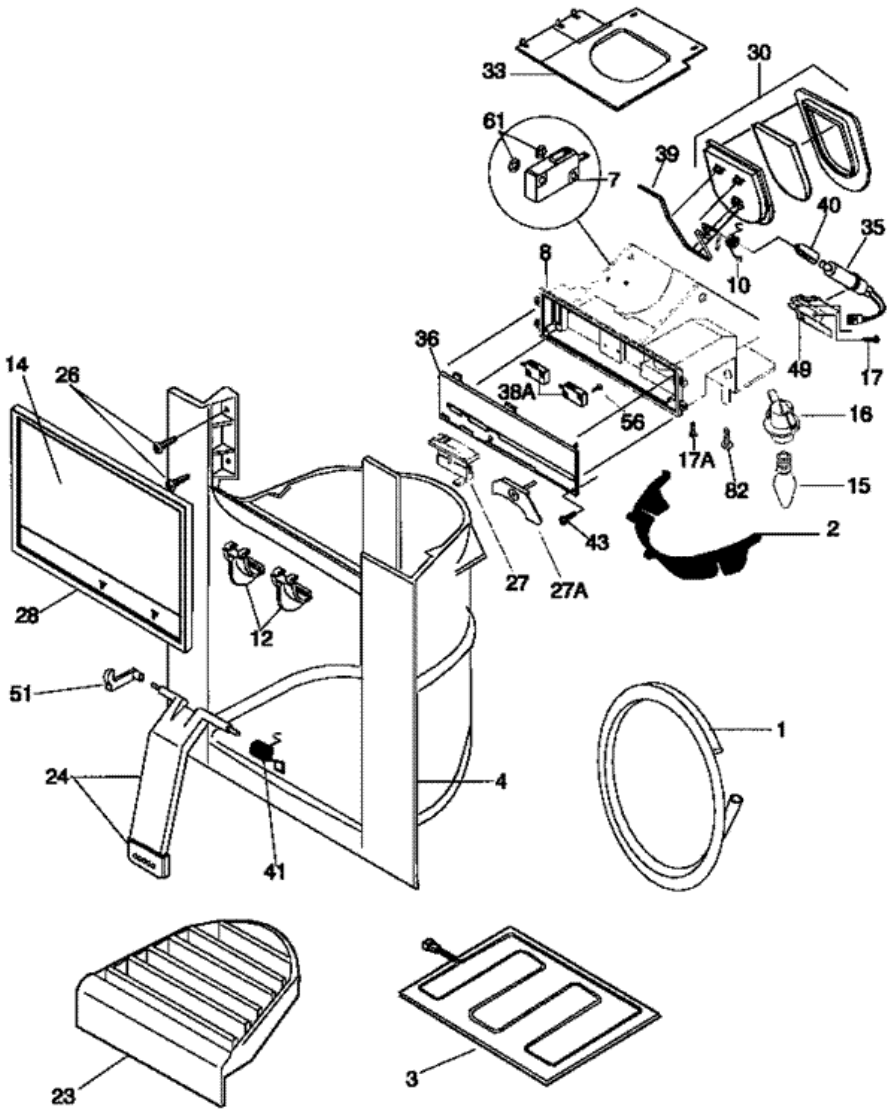
61	5303289032	BLADE-COND FAN <b>DESCONTINUADO</b>
62	215048700	TROUGH-DRAIN,W/SHIELD.ASSY <b>DESCONTINUADO</b>
64	241957901	TUBE-DRAIN <b>(S/P)</b>
65	5303289301	SPACER-TUBE <b>(S/P)</b>
70	5303289041	BRACKET-EVAP/CVR MTG <b>(S/P)</b>
81	5308016566	SCREW,HEX WSHR HD ,8-15A X 0.625 ,
*79275	5303321892	OVERLOAD PROTECTOR <b>(S/P)</b>
*79277	5308000133	CLAMP,NYLON ,.625 ID <b>(S/P)</b>
45A	218754500	SCREW,HEX HD SER WSHR ,8-18 X 0.375 <b>(S/P)</b>
45B	218769200	SCREW,HX WSHR <b>DESCONTINUADO</b>
*79272	215005200	WIRING HARNESS,REFR CONTROLS <b>(S/P)</b>
*79273	218815101	WIRING HARNESS,FRZR CONTROLS <b>(S/P)</b>
*79274	3206414	TUBE-INLET <b>(S/P)</b>
*79276	5303001199	CLAMP-WIRING HARNESS,STRAIN RELIEF , <b>(S/P)</b>
*79278	5300141713	SCREW,HEX WSHR HD ,8-32 X 0.625 ,SPEC <b>(S/P)</b>
*79271	5303289026	SPACER-TUBE <b>(S/P)</b>
*79280	215004800	GROMMET-SILENCER <b>(S/P)</b>
*79279	215004700	NUT,SPEED <b>(S/P)</b>
*79281	5303917214	HOT TUBE REPAIR KIT,SERVICE <b>(S/P)</b>
*79270	5303208866	SPACER-COND TUBE,BLACK <b>(S/P)</b>

Distribuidor Autorizado

SurteRápido.com

Venta de Refacciones  
Electrodomesticas

# MRS22WNGD0 ICE AND WATER DISP







## MRS22WNGD0 ICE AND WATER DISP

1	5318582501	TUBE-WATER INLET,93` ,PLASTIC (S/P)
2	218505302	DEFLECTOR-ICE DISP,ALMOND <b>DESCONTINUADO</b>
3	215484300	HEATER-DOOR HOUSING (S/P)
4	215922302	HOUSING-DISPENSER,ALMOND <b>DESCONTINUADO</b>
7	5303917595	SWITCH-ACTUATOR,MICRO (S/P)
8	218835701	MODULE-DISPENSER (S/P)
10	5304401779	SPRING,DISPENSER DOOR
12	218845902	KNOB-SELECTOR,ALMOND (S/P)
13	215748101	RING-SNAP,ACTUATOR (S/P)
14	218416149	LABEL-MODULE COVER,ALMOND (S/P)
15	218284900	LIGHT BULB/LAMP,4 W ,115 V (S/P)
16	215284900	SOCKET-LIGHT/LAMP (S/P)
17	215794400	SCREW,6 X 1/4 (S/P)
23	215447011	DRIP TRAY,ALMOND (S/P)
24	5303319470	ACTUATOR,ALMOND
26	215503200	SCREW,CR PAN HD ,10-16 X 0.500 (S/P)
27	218432600	CAM-SLIDE (S/P)
27	218814901	ROCKER-SWITCH (S/P)
28	218713102	COVER-MODULE,ALMOND <b>DESCONTINUADO</b>
30	5304402125	DOOR ASSY-ICE CHUTE,W/GASKET,INSUL
33	218870201	HEATER-DISP THROAT (S/P)
35	218740003	HEAT MOTOR,115 V
36	218835601	COVER-SLCTR SWITCH,ICE DISPENSER (S/P)
38	218479900	SWITCH-MICRO,SINGLE POLE ,DOUBLE (S/P)
39	5304401778	WIRE-ICE DOOR
40	218284500	YOKE-HEAT MOTOR (S/P)
41	215917800	SPRING-ACTUATOR
43	215760300	SCREW,4 X 3/8 (S/P)
49	215794000	BRACKET-HEAT MOTOR (S/P)
51	215922200	CAM-SWITCH
56	218434300	SCREW-MICRO SWITCH,PAN HEAD (S/P)
61	215766000	RING-RETAINER,MICRO SWITCH (S/P)
82	215296300	SCREW,PLASK H/L ,6 X 3/8 (S/P)

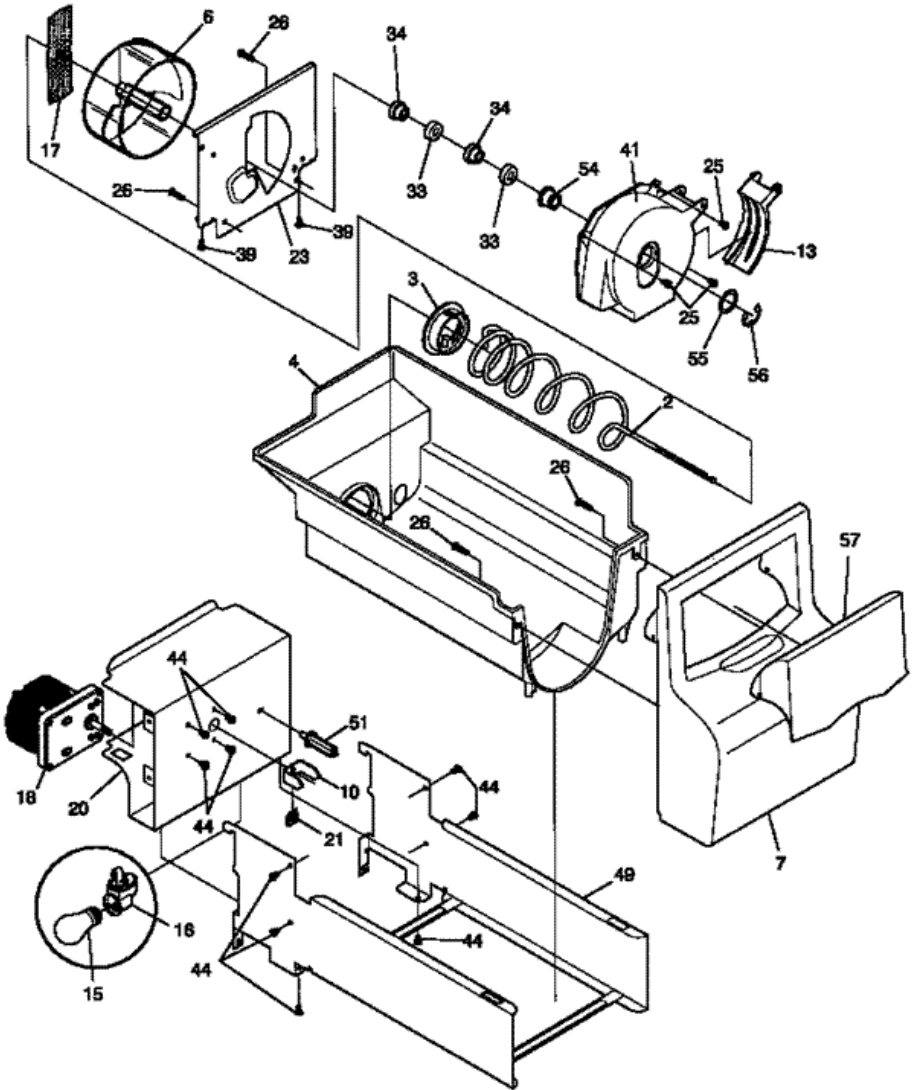
*79282	215294101	TUBE-WATER INLET,FORMED ,PLASTIC , (S/P)
*79283	215781700	CLIP-TUBE (S/P)
17A	215840700	SCREW,TRUSS HEAD ,6-20 X 3/8 (S/P)
*79284	218863107	WIRING HARNESS,DISP (S/P)
17B	215923400	WASHER-FLAT (S/P)

Distribuidor Autorizado

SurteRápido.com

Venta de Refacciones  
Electrodomesticas

## MRS22WNGD0 ICE CONTAINER





## MRS22WNGD0 ICE CONTAINER

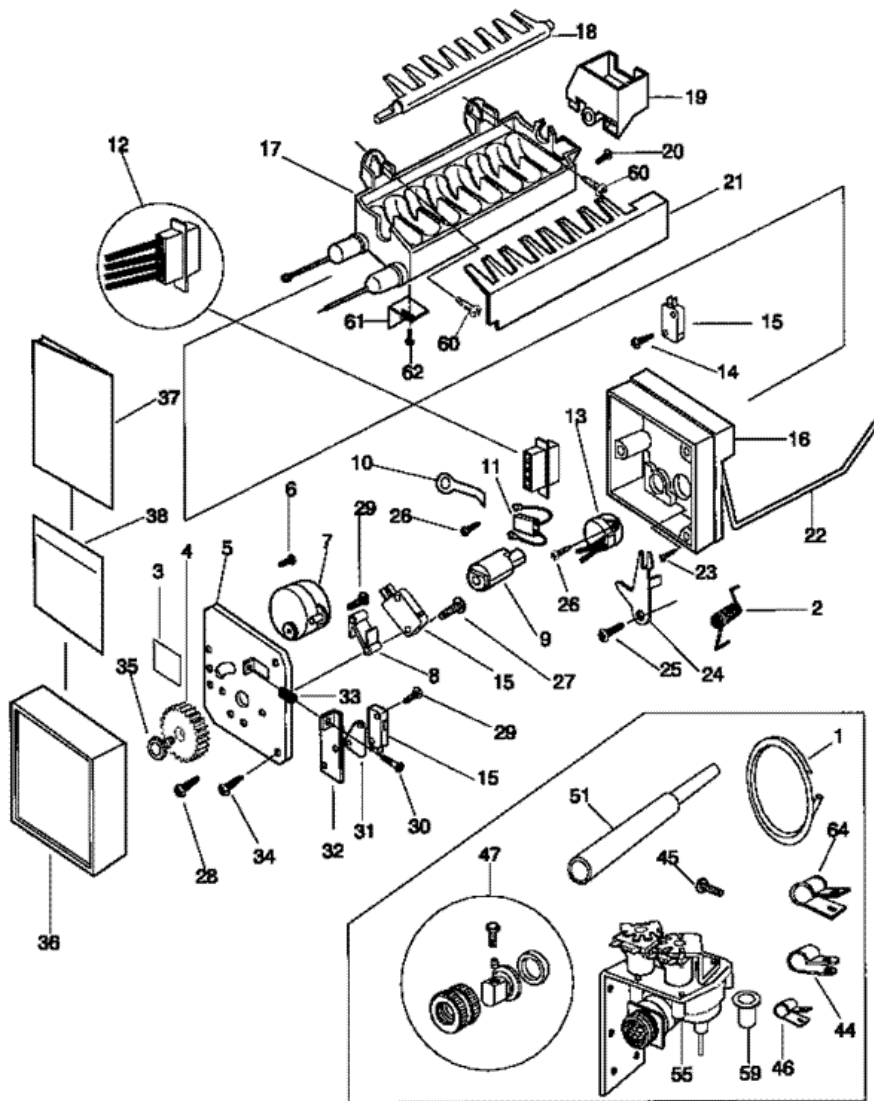
2	241716101	AUGER-ICE (S/P)
3	241685201	CAM-DRIVE (S/P)
4	218815300	CONTAINER-ICE
6	241685101	DRUM-ICE DISP
7	241734201	FRONT-ICE CONTAINER (S/P)
10	5304404337	BAR-DRIVE (S/P)
13	241885001	GATE (S/P)
15	5303013071	LIGHT BULB/LAMP,40 W (S/P)
16	5303289050	SOCKET-LIGHT/LAMP (S/P)
17	241684501	DRIVE BLADE (S/P)
18	218815802	MOTOR-AUGER <b>DESCONTINUADO</b>
20	5304407106	COVER-MOTOR (S/P)
21	241726501	NUT-DRIVE (S/P)
23	241684001	PLATE-FRONT (S/P)
25	5304404362	SCREW,HEX WASHER HEAD ,8-32T X 0.375 (S/P)
26	215503200	SCREW,CR PAN HD ,10-16 X 0.500 (S/P)
33	241684801	SPACER (S/P)
34	241689801	SPACER (S/P)
39	5304404365	SCREW (S/P)
41	241885001	HOUSING-CRUSHER (S/P)
44	218359200	SCREW,PAN HEAD ,8-32 X 0.250 (S/P)
49	241734501	RAIL ASSY (S/P)
51	241676301	ROTATION STOP (S/P)
54	241685001	NUT-AUGER (S/P)
55	241690306	WASHER (S/P)
56	241690201	E-RING (S/P)
57	241734101	DOOR-ACCESS (S/P)
58	5308002748	SCREW,HEX WSHR HD ,8-15A X 0.500 , (S/P)
*79286	215781700	CLIP-TUBE (S/P)
*79287	241860802	ICE CONTAINER ASSY (S/P)
*79285	5304407107	WIRING HARNESS,AUGER <b>DESCONTINUADO</b>

Distribuidor Autorizado

SurteRápido.com

Venta de Refacciones  
Electrodomesticas

# MRS22WNGD0 ICE MAKER





## MRS22WNGD0 ICE MAKER

1	5318582501	TUBE-WATER INLET,93` ,PLASTIC , (S/P)
2	5304456650	SPRING,SHUT-OFF ARM (S/P)
3	3206299	LABEL,ID PLATE (S/P)
4	5304456658	GEAR (S/P)
5	3206303	PLATE-MOUNTING (S/P)
6	3206305	SCREW-GROUND WIRE,8-32 X 0.250 (S/P)
7	3206306	MOTOR-ICE MAKER (S/P)
8	5304456661	SPACER-HOLD SWITCH (S/P)
9	5304456662	CAM (S/P)
10	3206315	CLAMP (S/P)
11	3206319	THERMAL CUTOFF,ICE MAKER , (S/P)
12	3206349	WIRING HARNESS,ICE MAKER ,INTERNAL , (S/P)
13	3206322	THERMOSTAT ASSY,ICE MAKER (S/P)
14	3206323	SCREW,4-24 X 0.750 ,(6) (S/P)
15	5304456667	SWITCH,(3) (S/P)
16	3206326	SUPPORT,PHENOLIC <b>DESCONTINUADO</b>
17	5303320545	MOLD-ICE MAKER,RADIUS CUBE (S/P)
18	5304456670	EJECTOR-ICE (S/P)
19	3206330	BEARING & INLET <b>DESCONTINUADO</b>
20	3206331	SCREW,8-18 X 0.375 ,(2) (S/P)
21	3206332	ICE STRIPPER (S/P)
22	5304456673	SHUT-OFF ARM (S/P)
23	3206334	SCREW-SUP/MOLD BODY,8-18 X 1 ,(4) (S/P)
24	5304456675	LEVER ARM (S/P)
25	3206336	SCREW,8-18 X 0.562 ,LEVER ARM/SPRT (S/P)
26	3206337	SCREW-THERMO/SPRT,4-24 X 0.375 ,(4) (S/P)
27	3206338	SCREW,4-40 X 1.000 ,HOLD SWITCH MTG (S/P)
28	3206339	SCREW-TIMING STOP,4-40 X 0.375 (S/P)
29	3206340	SCREW-MTR & SW/PLATE <b>DESCONTINUADO</b>
30	3206341	SCREW-TIMING ADJ,8-32 X 1.000 (S/P)
31	5304456680	INSULATOR (S/P)
32	3206343	PLATE-VALVE SWITCH (S/P)
33	5304456682	SPRING (S/P)

34	3206345	SCREW-MTG PLATE/SPRT <b>DESCONTINUADO</b>
35	3206346	SCREW-GEAR/CAM,6-20 X 0.437 <b>(S/P)</b>
36	5304456685	COVER-ICE MAKER <b>(S/P)</b>
37	5303320544	DATA SHEET,ICE MAKER <b>(S/P)</b>
38	5303207445	ENVELOPE-DATA SHEET <b>DESCONTINUADO</b>
44	5308000133	CLAMP,NYLON ,.625 ID <b>(S/P)</b>
45	5303207328	SCREW,HEX WASHER HEAD ,8-15A X 1.000 , <b>(S/P)</b>
46	5303001193	CLAMP,.50 ID ,STEEL ,WATER TUBE <b>(S/P)</b>
47	5308000205	ADAPTER-WATER SPLY,STRAIGHT <b>(S/P)</b>
51	218947201	TUBE-WATER,ICE MOLD FILL ,EXTENSION <b>(S/P)</b>
55	218720500	VALVE-WATER,DUAL SOLENOID ,115 V
59	5303001191	SLEEVE-TUBE INSERT <b>(S/P)</b>
60	215230500	SCREW-IM BRKT MTG,PAN HD PHILLIPS , <b>(S/P)</b>
61	218721500	Bracket-leveling,ice maker <b>(S/P)</b>
62	218737900	SCREW-IM BRKT MTG,HEX WASHER HEAD , <b>(S/P)</b>
64	5304455846	Clamp,0.31 ID ,steel ,copper wtr line <b>(S/P)</b>
*79289	218835800	CAP-WATER VALVE <b>(S/P)</b>
*79288	3206321	CONNECTOR PLUG,WIRING HARNESS <b>(S/P)</b>
*79291	5303918277	ICE MAKER,RADIUS CUBE ,115 V ,
*79290	215290100	SCREW-SOLENOID VALVE,HX HD-SLOT <b>(S/P)</b>
*79292	218964701	DEFLECTOR-AIR,ICE MAKER <b>DESCONTINUADO</b>