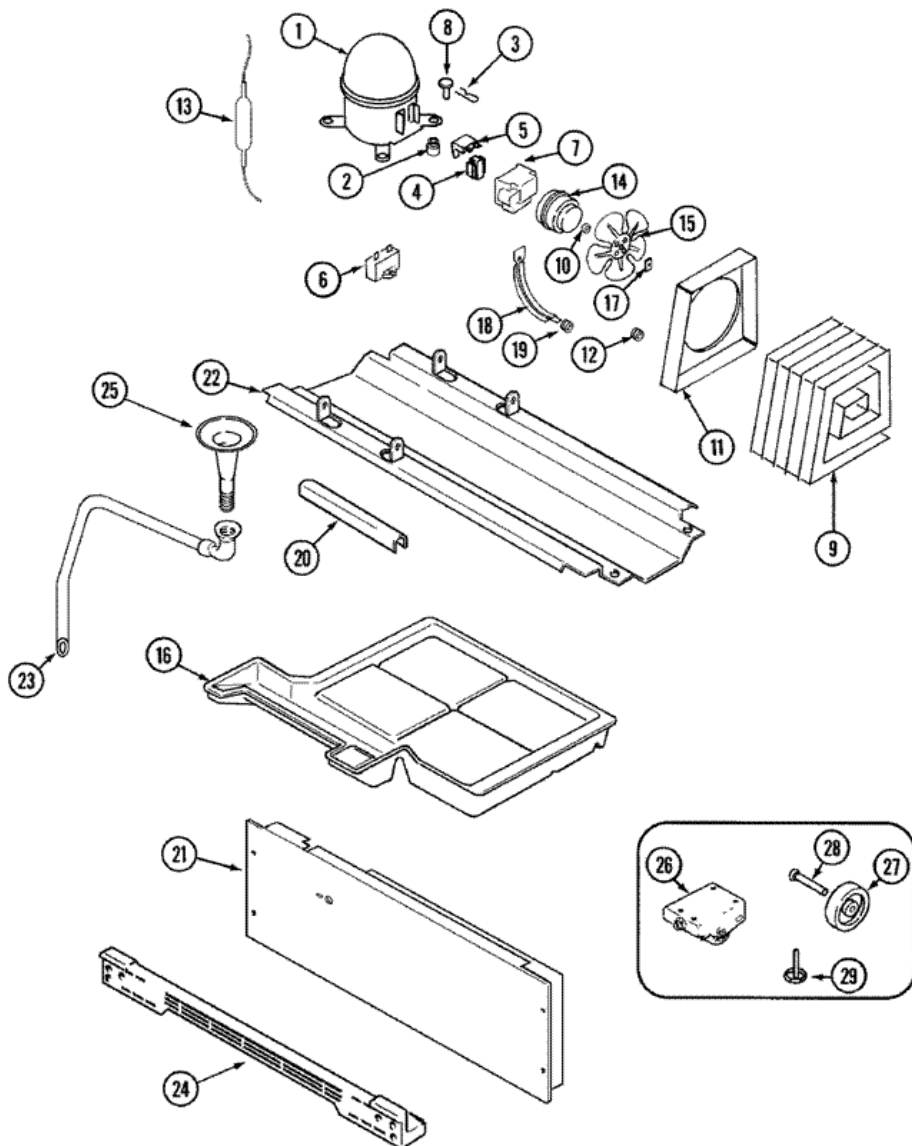


Distribuidor Autorizado

SurteRápido.com

Venta de Refacciones
Electrodomesticas

MSD2356AEW COMPRESSOR





MSD2356AEW COMPRESSOR

1	12001834	COMPRESSOR ASSY.(R134A-115V) (S/P)
1	61002223	WIRE HARNESS, COMPRESSOR (S/P)
2	17245-4	GROMMET, COMPRESSOR (S/P)
3	61005561	CLIP, COMPRESSOR (S/P)
4	61005504	RELAY, START (S/P)
5	61006295	OVERLOAD (S/P)
6	61002137	CAPACITOR, RUN (S/P)
6	400017-1	SCREW (S/P)
7	61002138	COVER, TERMINAL (S/P)
8	61006030	PLUG, COMPRESSOR DESCONTINUADO
9	61001885	SCREW (S/P)
9	61005453	CONDENSER (S/P)
10	61001686	WASHER, FAN BLADE (S/P)
11	61001941	SHROUD, CONDENSER (S/P)
12	61002033	GROMMET, CONDENSER TUBING (S/P)
13	W10143759	DRIER (S/P)
14	61002038	MOTOR, CONDENSER FAN (S/P)
14	65275-33	SCREW (S/P)
15	12587601	BLADE, CONDENSER FAN (S/P)
16	65275-5	SCREW (S/P)
16	61004095	PAN, DRAIN (S/P)
17	486692	CLIP, FAN BLADE (S/P)
18	69181-1	BRACKET, FAN MOTOR (S/P)
19	56933-1	GROMMET, BRACKET (S/P)
20	61001974	ISOLATOR, CONDENSER (S/P)
21	12001345	COVER, COMPRESSOR COMPARTMENT (S/P)
21	65275-5	SCREW (S/P)
22	61003371	PAN, COMPRESSOR MTG. DESCONTINUADO
22	61002407	SCREW (S/P)
23	61003133	HOSE, DRAIN (S/P)
23	53516-5	CLAMP (S/P)
24	61004063	KICKPLATE (WHT) DESCONTINUADO
24	61004096	SCREW (S/P)

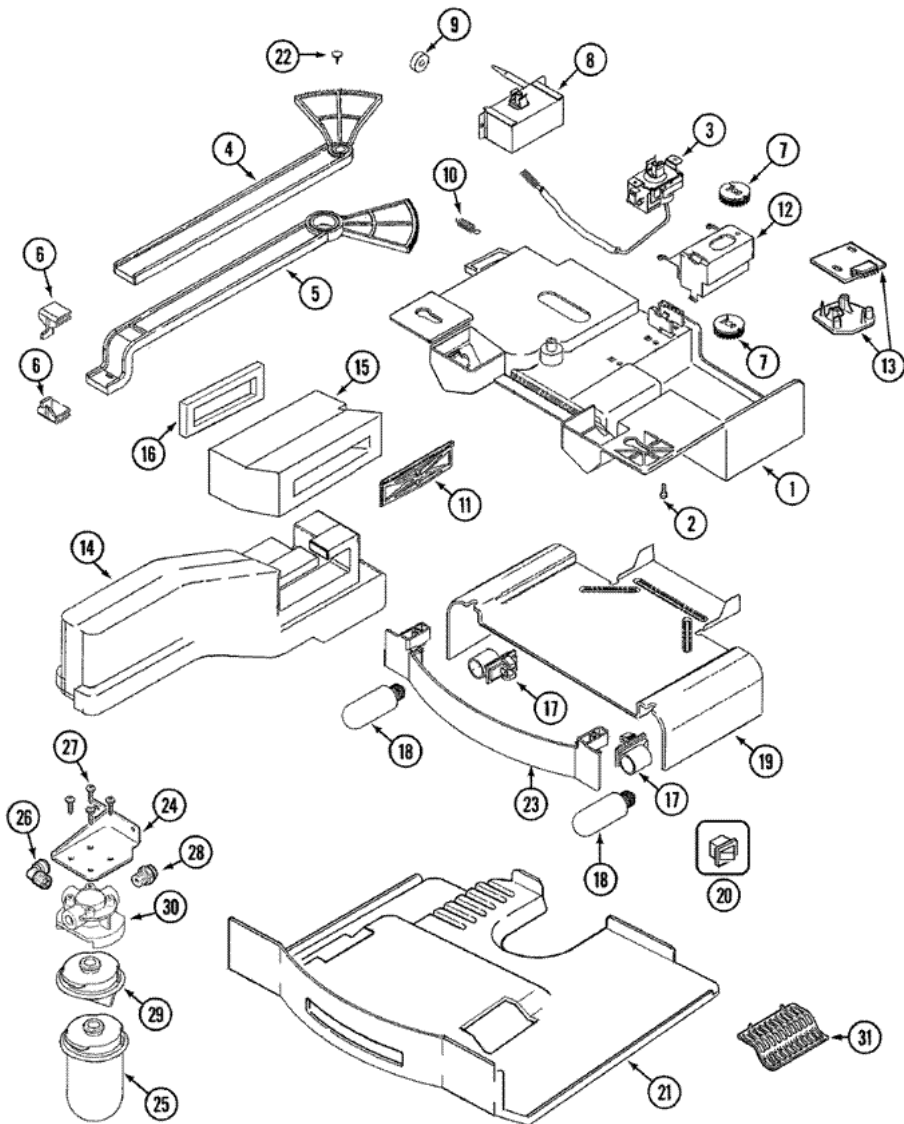
25	61004751	TUBE, DRAIN (S/P)
26	61002066	WHEEL ASSY. (FRT) DESCONTINUADO
26	400016-1	SCREW (S/P)
27	61003826	WHEEL (REAR) (S/P)
28	61002104	PIN, WHEEL (S/P)
29	61002014	LEG, LEVELING (S/P)

Distribuidor Autorizado

SurteRápido.com

Venta de Refacciones
Electrodomesticas

MSD2356AEW CONTROLS





MSD2356AEW CONTROLS

1	61003228	FOIL, HEAT SHIELD (S/P)
1	400031-1	SCREW (S/P)
1	61005993	HOUSING ASSY., AUTO DAMPER (S/P)
2	67149-1	SUPPORT, DIVIDER (S/P)
2	400019-1	SCREW (S/P)
3	61005516	CONTROL ASSY., TEMPERATURE (S/P)
3	400016-1	SCREW (S/P)
4	61003287	ROD, DAMPER CONTROL DESCONTINUADO
5	61003293	ROD, TEMP. CONTROL (S/P)
6	61004591	END CAP, CONTROL ROD (S/P)
7	61003305	GEAR, CONTROL SLIDE (S/P)
8	61003359	SCREW DESCONTINUADO
8	61005993	DAMPER, AUTO (S/P)
9	61003358	WASHER, DAMPER ROD (S/P)
10	61003141	SPRING, DAMPER DOOR (S/P)
11	61003235	DOOR, DAMPER (S/P)
12	61003315	SUPPORT, TEMP. CONTROL (S/P)
13	405007-1	SCREW (S/P)
13	61005988	DEFROST ASSY., ADAPTIVE
14	61003229	INSULATION, DISCHARGE (LT) (S/P)
14	61005972	INSULATION, DISCHARGE (RT) (S/P)
15	67002286	SEAL, TUNNEL TO HOUSING (S/P)
15	61003231	TUNNEL, CONTROL HOUSING (S/P)
16	61003819	SEAL, TUNNEL (S/P)
17	61005973	RECEPTACLE, BULB
18	61005974	BARRIER, FOIL (RT) DESCONTINUADO
18	61005975	BARRIER, FOIL (LT) DESCONTINUADO
18	61003236	BULB, LIGHT
19	61003238	SHIELD, HEAT (S/P)
20	61003661	SWITCH, LIGHT (S/P)
21	61003728	SHIELD, LIGHT DESCONTINUADO
22	61003316	RETAINER, CONTROL ROD (S/P)
23	400031-1	SCREW (S/P)

23	61004380	PANEL, CONTROL (S/P)
24	61003698	BRACKET, WATER FILTER (S/P)
25	UKF7003AXX	FILTER, WATER
26	67001351	FITTING ASSY., WATER FILTER (S/P)
27	61003796	SCREW (S/P)
28	61003790	FITTING, WATER FILTER (S/P)
29	61003791	PLUG, FILTER BYPASS (S/P)
30	61003789	HEAD, WATER FILTER (S/P)
31	61004590	GRILL, LIGHT (S/P)
32	61003696	WIRE HARNESS, CONTROLS (S/P)
32	61005461	WIRE HARNESS, FRZ./RF SLIDE (S/P)

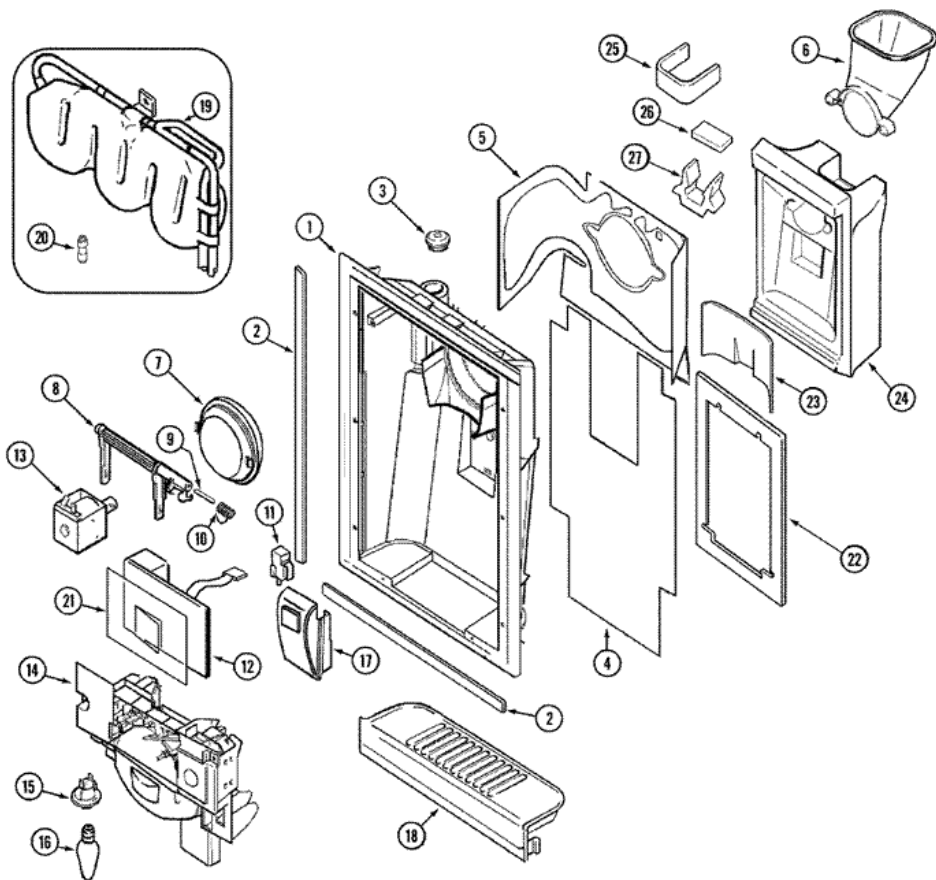
Distribuidor Autorizado

SurteRápido.com

Venta de Refacciones
Electrodomesticas



MSD2356AEW FOUNTAIN





MSD2356AEW FOUNTAIN

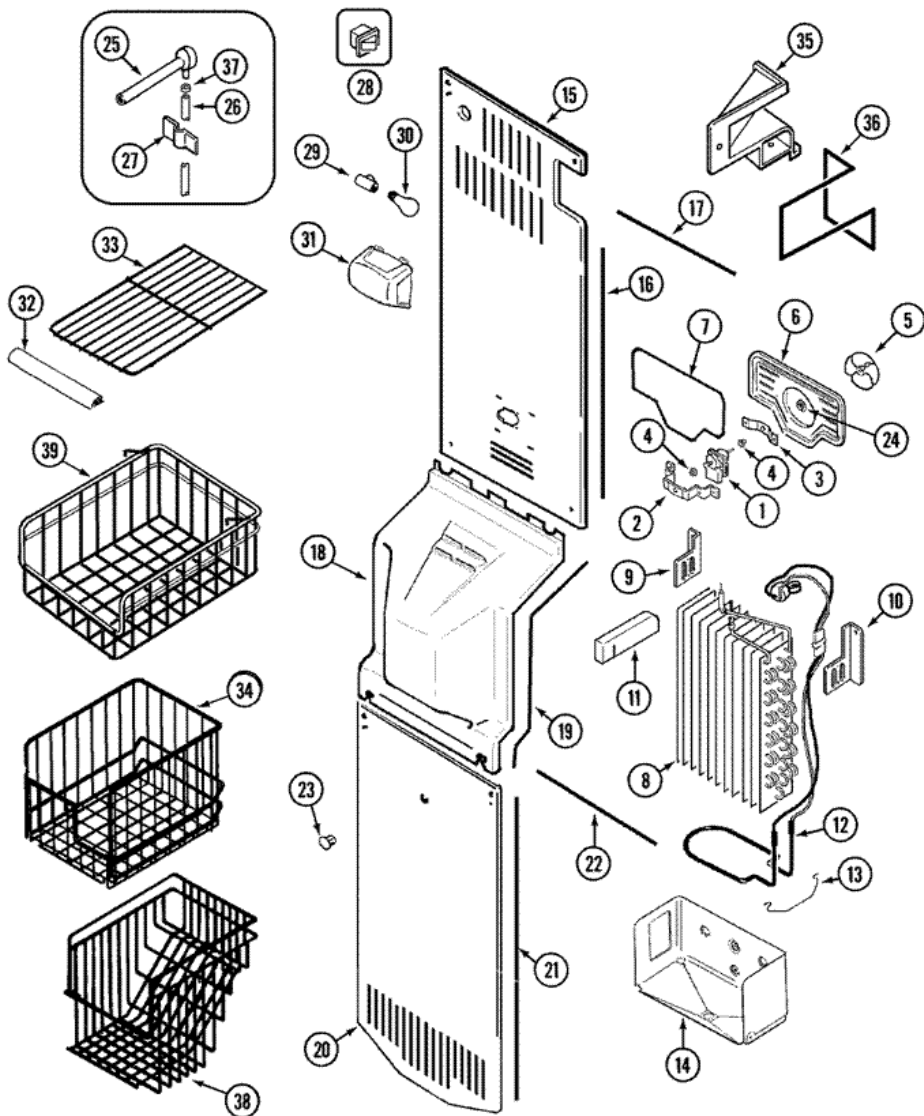
1	61003307	SCREW (S/P)
1	12001757	KIT, FOUNTAIN HSG (WHT-23') DESCONTINUADO
2	61003286	TAPE (1FT.) (S/P)
3	61003300	GROMMET, WATER TUBE (S/P)
4	61003304	FOIL, FTN. BACK (S/P)
5	61003125	HEATER, FOUNTAIN (S/P)
6	415013-35	SCREW (S/P)
6	61004801	CHUTE, ICE (S/P)
7	61003507	DOOR ASSY., ICE (S/P)
8	12001991	STRIKE, ICE DOOR
9	12001991	PIN, ROLL
10	61004388	SPRING, FTN. RETURN
11	61005520	SWITCH, LIMIT (S/P)
12	61003425	BOARD, CONTROL
13	12001991	SOLENOID
13	61003297	SCREW (S/P)
14	61003407	BRACKET, FOUNTAIN (WHT)
15	70119-1	RECEPTACLE, BULB (S/P)
16	67001316	BULB, LIGHT
17	61004441	PAD, ACTUATOR (WHT)
18	61003411	GRILL (WHT) (S/P)
19	400022-1	SCREW (S/P)
19	61003689	TANK ASSY., WATER (S/P)
20	2300868	UNION, REDUCING (5/16``-5/16``) (S/P)
21	61003426	BARRIER (S/P)
22	61003339	INSULATION (S/P)
23	61003340	INSULATION (S/P)
24	61003406	INSULATION, FTN. (STYROFOAM) DESCONTINUADO
25	61003342	INSULATION DESCONTINUADO
26	61003343	INSULATION (S/P)
27	61003308	INSULATION (S/P)
28	61004775	WIRE HARNESS, FTN. (S/P)
28	61003458	WIRE HARNESS, FTN. SWITCHES (S/P)

Distribuidor Autorizado

SurteRápido.com

Venta de Refacciones
Electrodomesticas

MSD2356AEW FREEZER COMPARTMENT



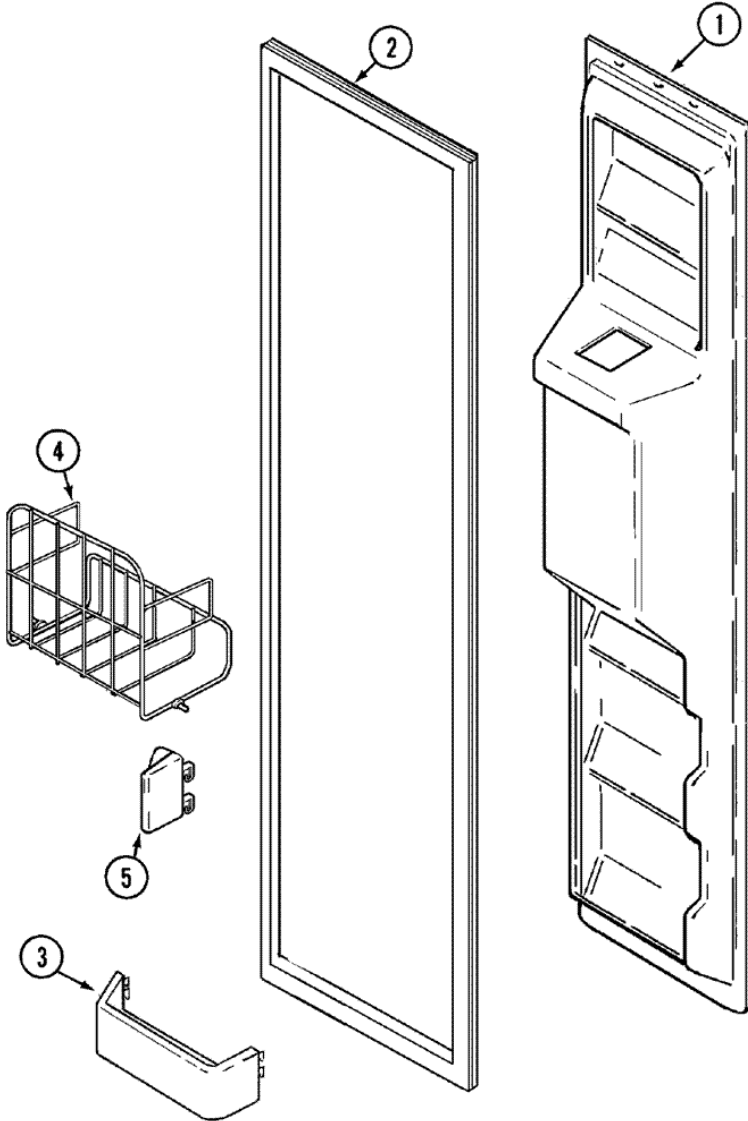


MSD2356AEW FREEZER COMPARTMENT

1	61004888	MOTOR, EVAPORATOR FAN
2	61001930	BRACKET, EVAPORATOR FAN (S/P)
2	61001885	SCREW (S/P)
3	61001885	SCREW (S/P)
3	61002234	RETAINER, EVAPORATOR FAN (S/P)
4	61002235	BUSHING, EVAPORATOR FAN (S/P)
5	61001935	BLADE, EVAPORATOR FAN (S/P)
6	61003677	SHROUD, FAN DESCONTINUADO
7	61003828	SEAL, FAN SHROUD (S/P)
8	12001640	EVAP/HEAT EXCH ASSY23/24/25SXS (S/P)
9	61003215	BRACKET, EVAPORATOR (LT) (S/P)
10	61003216	BRACKET, EVAPORATOR (RT) (S/P)
11	61003213	BLOCK, AIR (S/P)
12	61006198	HEATER & THERM. ASSY., DEFROST
13	67005457	CLIP, DEFROST HEATER (S/P)
14	61003382	HOUSING, EVAPORATOR DESCONTINUADO
14	400017-1	SCREW (S/P)
15	400027-28	SCREW DESCONTINUADO
15	61003383	COVER, COIL (UPR) DESCONTINUADO
16	61003832	SEAL, UPPER COVER (RT) (S/P)
16	61003832	SEAL, UPPER COVER (LT) (S/P)
17	61003386	SEAL, UPPER COVER (TOP) (S/P)
18	61003387	COVER, EVAPORATOR FAN DESCONTINUADO
19	61003832	SEAL (S/P)
20	61003388	COVER, COIL (LWR) DESCONTINUADO
20	400027-28	SCREW DESCONTINUADO
21	61003832	SEAL (S/P)
22	61003837	SEAL, LOWER COVER DESCONTINUADO
23	61001952	PLUG BUTTON, EVAP. COVER (S/P)
24	61003198	SLINGER, DISC DESCONTINUADO
25	67877-1	CLIP, FILL TUBE (S/P)
25	61005743	GROMMET, FILL TUBE (S/P)
26	B5705307	TUBING, VALVE TO GROMMET (S/P)

27	61003562	CLIP, WATER LINE (ADHESIVE) (S/P)
28	12002646	SWITCH, LIGHT (S/P)
29	68974-3	RECEPTACLE, BULB (S/P)
30	31956-1	BULB, LIGHT (S/P)
31	61002272	SHIELD, LIGHT (S/P)
32	61003730	TRIM, SHELF (FRT.) DESCONTINUADO
33	61003735	SHELF, FRZ. (WIRE) DESCONTINUADO
34	61004116	BASKET, PIZZA DESCONTINUADO
35	61003205	DIVERTER, AIR (S/P)
35	400017-1	SCREW (S/P)
36	61003206	SEAL, AIR DIVERTER (S/P)
37	61001161	CLAMP, WATER LINE (S/P)
38	61006084	BASKET, FRZ. DESCONTINUADO
39	61003733	BASKET, FRZ. (HALF) DESCONTINUADO
40	61003962	DUCT, MULLION DESCONTINUADO
41	61003731	WIRE HARNESS, FRZ. (S/P)
41	61003955	WIRE HARNESS, FAN & HEATER (S/P)

MSD2356AEW FREEZER INNER DOOR





MSD2356AEW FREEZER INNER DOOR

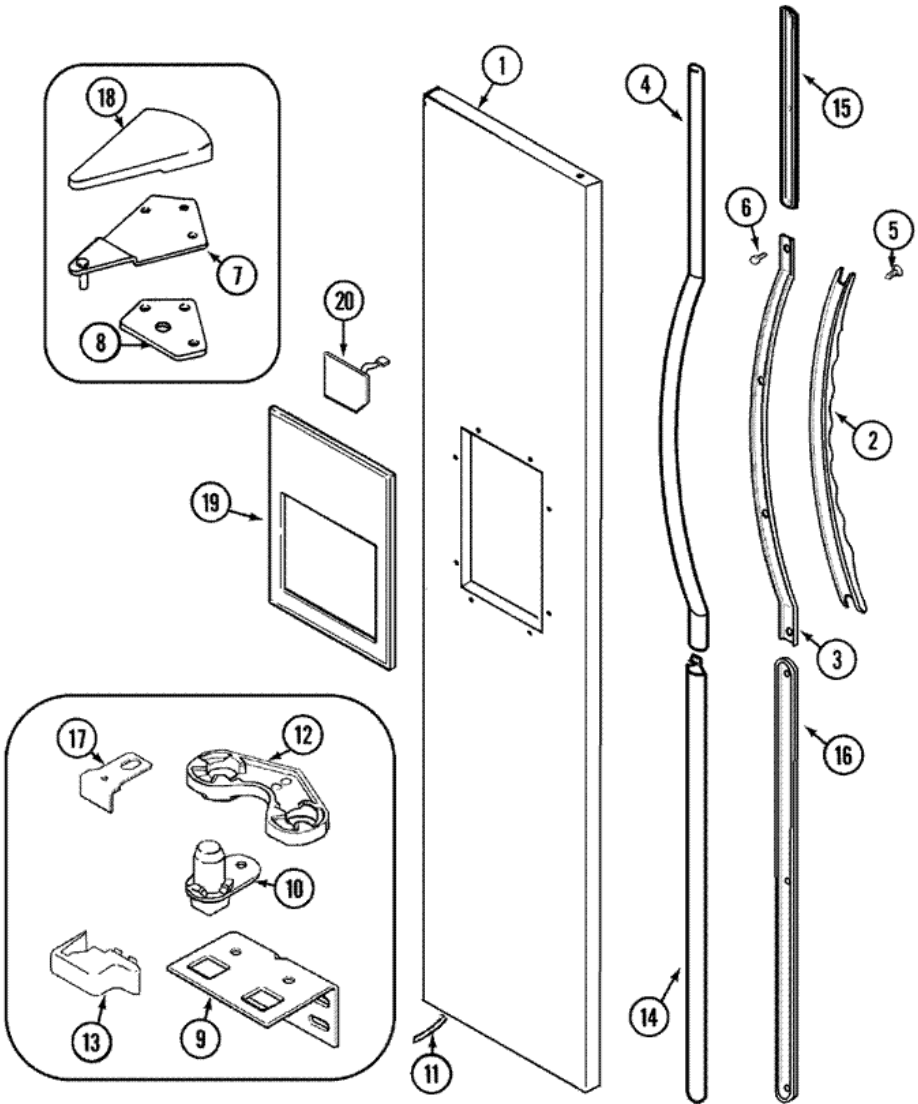
1	65275-5	SCREW (S/P)
1	61004050	INSERT, LINER SUPPORT (SIDE) DESCONTINUADO
1	61004049	INSERT, LINER SUPPORT DESCONTINUADO
1	61003403	LINER, FRZ. DOOR DESCONTINUADO
2	61006008	SEAL, FRZ. DOOR (WHT) (S/P)
3	61003775	FRONT, PICK-OFF (S/P)
4	61003748	BASKET, TILTDOWN DESCONTINUADO
5	61003753	STOP, BASKET (LT) (S/P)
5	61003754	STOP, BASKET (RT) (S/P)

Distribuidor Autorizado

SurteRápido.com

Venta de Refacciones
Electrodomesticas

MSD2356AEW FREEZER OUTER DOOR

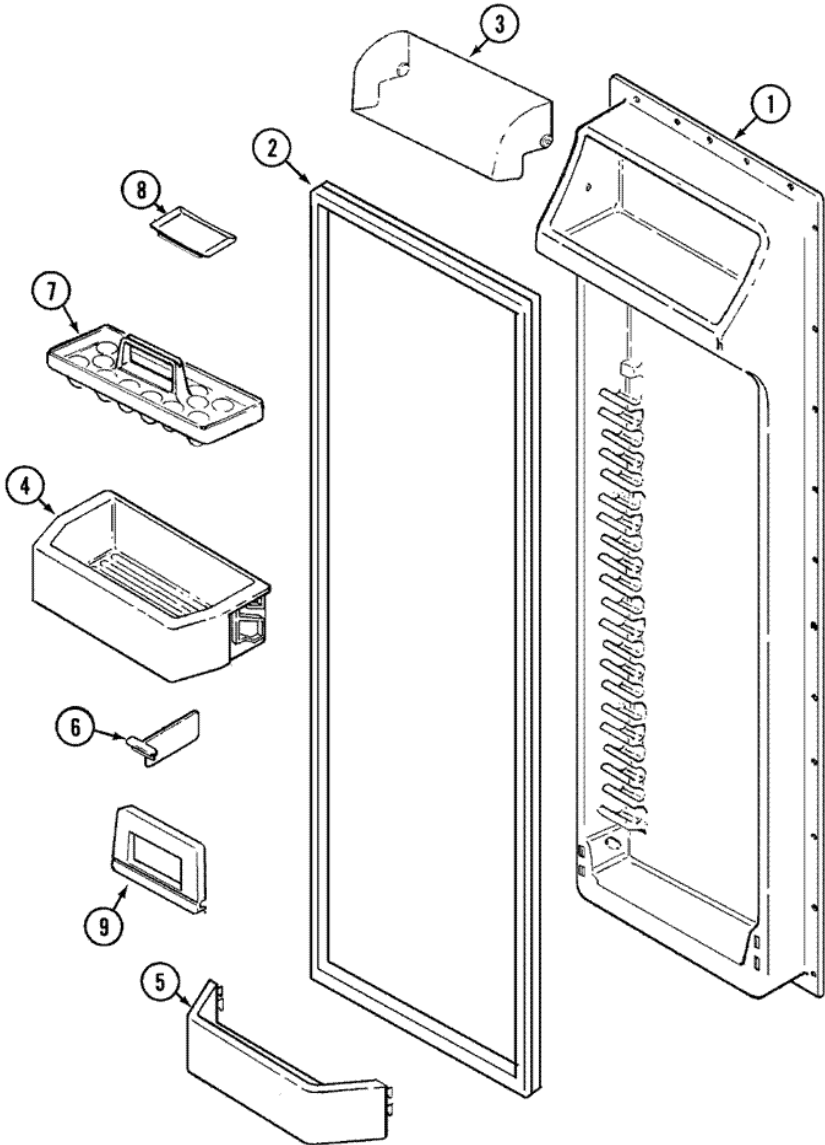




MSD2356AEW FREEZER OUTER DOOR

1	61006019	PANEL, FRZ. DOOR (WHT) DESCONTINUADO
2	61004329	HANDLE, DOOR (WHT) (S/P)
3	61004292	FRAME, HANDLE (S/P)
4	61004330	INSERT, HANDLE (WHT) (S/P)
5	61003351	SCREW, HANDLE TO FRAME (S/P)
6	61002180	SCREW (S/P)
7	61004896	HINGE, UPPER (S/P)
7	65275-86	SCREW, UPPER HINGE (S/P)
8	61001922	SHIM, UPPER HINGE (S/P)
9	61001918	HINGE, LOWER (WHT) (S/P)
9	61003128	SCREW (S/P)
10	61003174	PIN, LOWER HINGE
11	61004557	TUBING, FOUNTAIN DESCONTINUADO
11	2300868	UNION, REDUCING (5/16``-5/16``) (S/P)
12	61002180	SCREW (S/P)
12	61003647	CLOSER, DOOR (NATURAL)
13	61003219	COVER, LOWER HINGE (WHT) (S/P)
14	61003397	INSERT, EXT. TRIM (WHT) DESCONTINUADO
15	61004497	TRIM, HANDLE EXT. (UPR) DESCONTINUADO
16	61003396	TRIM, HANDLE EXT. (LWR) DESCONTINUADO
17	61003273	STOP, DOOR (S/P)
17	61002180	SCREW (S/P)
18	61004641	SCREW, COVER (S/P)
18	61004642	COVER, UPPER HINGE (WHT) (S/P)
19	415013-35	SCREW (S/P)
19	61003885	ESCUTCHEON (WHT) DESCONTINUADO
20	61003422	SCREW (S/P)
20	61003421	BOARD, FTN. SWITCH

**MSD2356AEW FRESH FOOD INNER
DOOR**

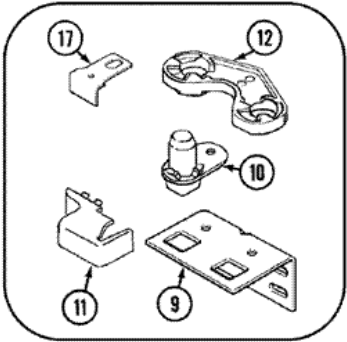
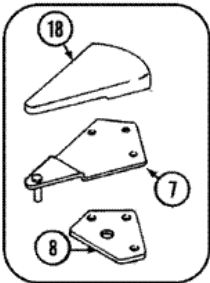
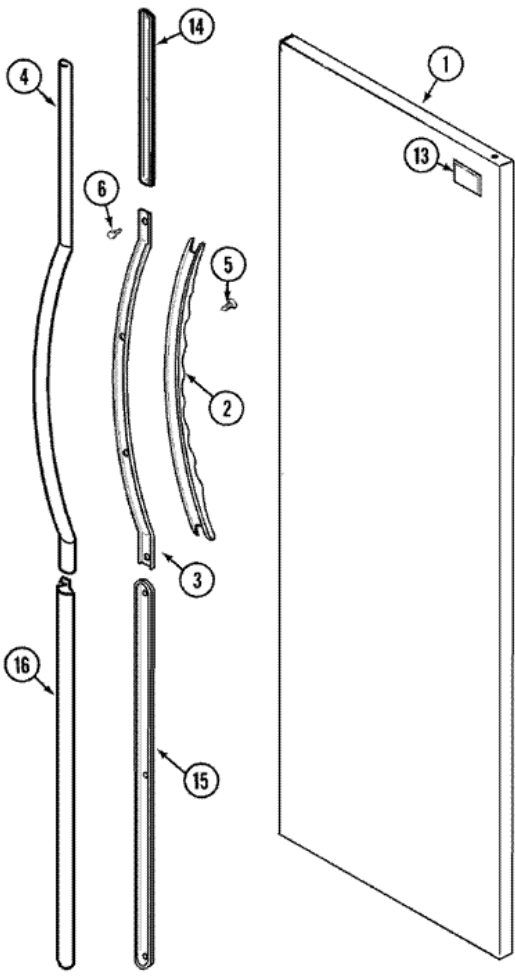




**MSD2356AEW FRESH FOOD INNER
DOOR**

1	61004047	INSERT, LINER SUPPORT DESCONTINUADO
1	61005411	LINER, F.F. DOOR DESCONTINUADO
1	61004046	INSERT, LINER SUPPORT (SIDES) DESCONTINUADO
1	65275-5	SCREW (S/P)
2	61006009	SEAL, F.F. DOOR (WHT)
3	61003365	DOOR, DAIRY (S/P)
4	61005360	SHELF, PICK-OFF (S/P)
5	61003651	FRONT, PICK-OFF (S/P)
6	61002274	ORGANIZER, SHELF (S/P)
7	67004411	TRAY, EGG (S/P)
8	67004412	TRAY, BUTTER (S/P)
9	61002273	RETAINER, BOTTLE (S/P)

MSD2356AEW FRESH FOOD OUTER DOOR





MSD2356AEW FRESH FOOD OUTER DOOR

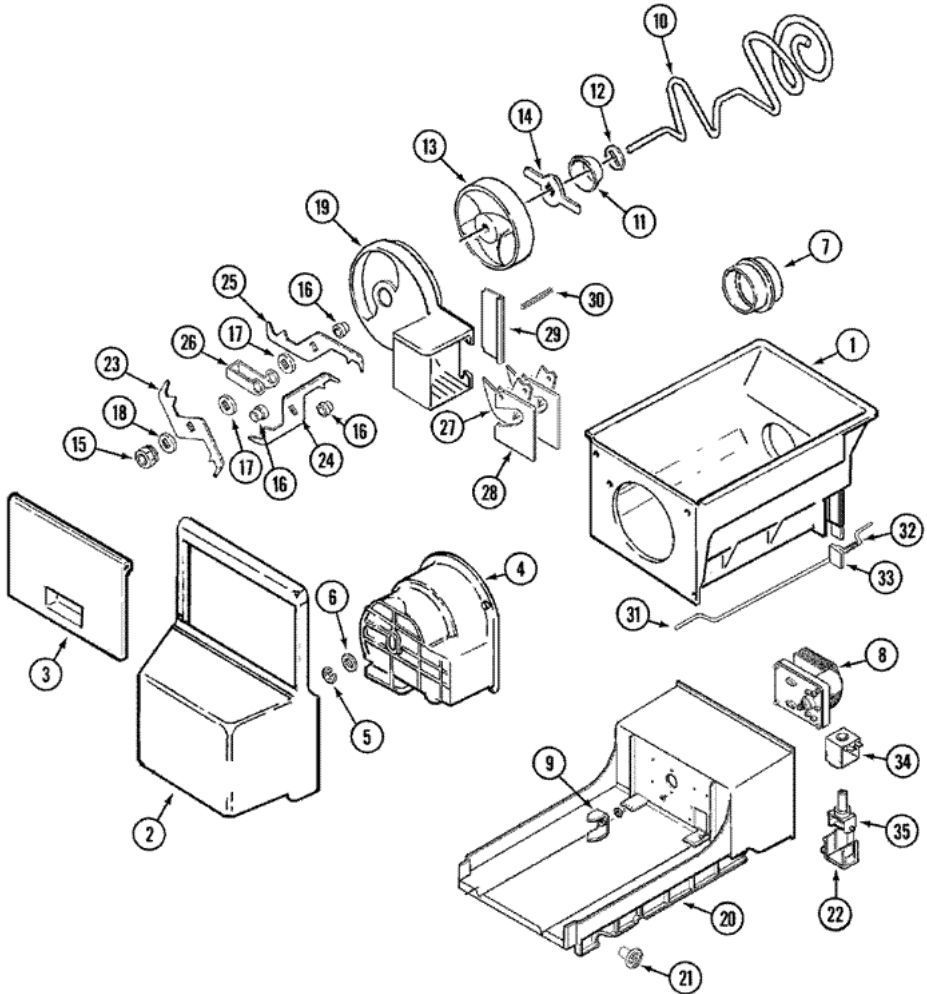
1	61003514	LABEL, DUAL ENERGY GUIDE DESCONTINUADO
1	61005821	PANEL, F.F. DOOR (WHT) DESCONTINUADO
2	61004329	HANDLE, DOOR (WHT) (S/P)
3	61004292	FRAME, HANDLE (S/P)
4	61004330	INSERT, HANDLE (WHT) (S/P)
5	61003351	SCREW, HANDLE TO FRAME (S/P)
6	61002180	SCREW (S/P)
7	61004896	HINGE, UPPER (S/P)
7	65275-86	SCREW, UPPER HINGE (S/P)
8	61001922	SHIM, UPPER HINGE (S/P)
9	61001918	HINGE, LOWER (WHT) (S/P)
9	61003128	SCREW (S/P)
10	61003174	PIN, LOWER HINGE
11	61003220	COVER, LOWER HINGE (WHT) (S/P)
12	61003647	CLOSER, DOOR (NATURAL)
12	61002180	SCREW (S/P)
13	61003616	NAMEPLATE (WHT) (S/P)
14	61004497	TRIM, HANDLE EXT. (UPR) DESCONTINUADO
15	61003396	TRIM, HANDLE EXT. (LWR) DESCONTINUADO
16	61003397	INSERT, EXT. TRIM (WHT) DESCONTINUADO
17	61002180	SCREW (S/P)
17	61003273	STOP, DOOR (S/P)
18	61004640	COVER, UPPER HINGE (WHT) (S/P)

Distribuidor Autorizado

SurteRápido.com

Venta de Refacciones
Electrodomesticas

MSD2356AEW ICE BIN (REV 10)





MSD2356AEW ICE BIN (REV 10)

1	61003319	BIN, ICE DESCONTINUADO
2	415013-35	SCREW (S/P)
2	61003440	FRONT, ICE BIN DESCONTINUADO
3	61004776	DOOR, ICE ACCESS (S/P)
4	415013-35	SCREW (S/P)
4	61003322	HOUSING, CRUSHER DESCONTINUADO
5	69704-1	RING, SNAP (S/P)
6	489234	WASHER, RETAINER (S/P)
7	61003336	RING, DRIVE (S/P)
8	12001773	ASSY., AUGER MOTOR/YOKE
8	61003324	SCREW (S/P)
8	61004805	WIRE HARNESS, AUGER MOTOR (S/P)
9	63052-2	YOKE, ICE DISPENSER
10	61003326	AUGER DESCONTINUADO
11	69699-1	CONE, ICE DEFLECTOR (S/P)
12	69698-1	WASHER, CONE STOP (S/P)
13	61003327	IMPELLER (S/P)
14	61003328	PLATE, DRIVE DESCONTINUADO
15	69709-1	NUT, AUGER (S/P)
16	69697-1	BEARING, SPACER (S/P)
17	69696-1	SPACER, CRUSHER BLADE (S/P)
18	69696-2	SPACER, BLADE (S/P)
19	61003334	MANDIPLATE DESCONTINUADO
20	12001685	ENCLOSURE, ICE - SEE NOTES DESCONTINUADO
20	400022-1	SCREW (S/P)
21	400022-1	SCREW (S/P)
21	61005080	SUPPORT, ENCLOSURE (S/P)
22	400026-12	SCREW (S/P)
22	69715-1	GUIDE, YOKE (S/P)
23	69702-3	BLADE, CRUSHER (S/P)
24	69702-2	BLADE, CRUSHER (S/P)
25	61003451	BLADE, CRUSHER (S/P)
26	61003445	DIVERTER, ICE (S/P)

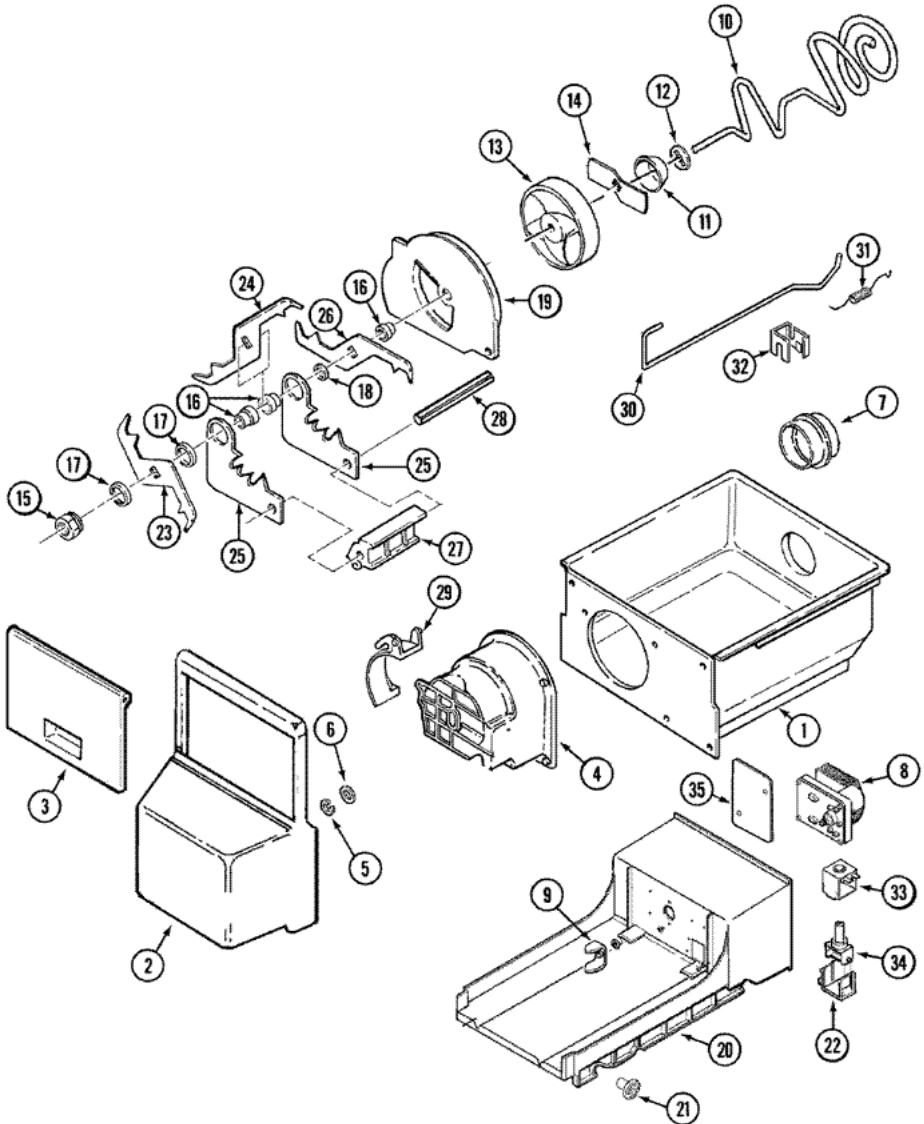
27	61003448	BLADE, ACTUATED (S/P)
28	61003446	SUPPORT, CONTROL ROD (S/P)
29	61003444	SHIELD, SNOW (S/P)
30	61003449	PIN, MANDIBLE (S/P)
31	61003450	ROD, CRUSHER CONTROL DESCONTINUADO
32	61003447	SPRING, CONTROL ROD (S/P)
33	69716-1	BRACKET, CONTROL ROD (S/P)
34	61003324	SCREW (S/P)
34	61005253	SOLENOID
35	61005844	YOKE ASSY.

Distribuidor Autorizado

SurteRápido.com

Venta de Refacciones
Electrodomesticas

MSD2356AEW ICE BIN (REV 11)





MSD2356AEW ICE BIN (REV 11)

1	61004802	BIN, ICE (S/P)
2	415013-35	SCREW (S/P)
2	61004803	FRONT, ICE BIN
3	61004776	DOOR, ICE ACCESS (S/P)
4	415013-35	SCREW (S/P)
4	61004804	HOUSING, CRUSHER (S/P)
4	61004869	SEAL (S/P)
5	69704-1	RING, SNAP (S/P)
6	489234	WASHER, RETAINER (S/P)
7	61003336	RING, DRIVE (S/P)
8	61004805	WIRE HARNESS, AUGER MOTOR (S/P)
8	12001773	ASSY., AUGER MOTOR/YOKE
8	61003324	SCREW (S/P)
9	63052-2	YOKE, ICE DISPENSER
10	61003326	AUGER DESCONTINUADO
11	69699-1	CONE, ICE DEFLECTOR (S/P)
12	69698-1	WASHER, CONE STOP (S/P)
13	70036-1	IMPELLER (S/P)
14	69755-1	PLATE, DRIVE (S/P)
15	69709-1	NUT, AUGER (S/P)
16	69697-1	BEARING, SPACER (S/P)
17	69696-1	SPACER, CRUSHER BLADE (S/P)
18	69696-2	SPACER, BLADE (S/P)
19	69701-1	PLATE, IMPELLER (S/P)
20	61005614	ENCLOSURE, ICE
20	400022-1	SCREW (S/P)
21	400022-1	SCREW (S/P)
21	61005080	SUPPORT, ENCLOSURE (S/P)
22	400026-12	SCREW (S/P)
22	69715-1	GUIDE, YOKE (S/P)
23	69702-3	BLADE, CRUSHER (S/P)
24	69702-2	BLADE, CRUSHER (S/P)
25	69706-1	BLADE, CRUSHER (S/P)

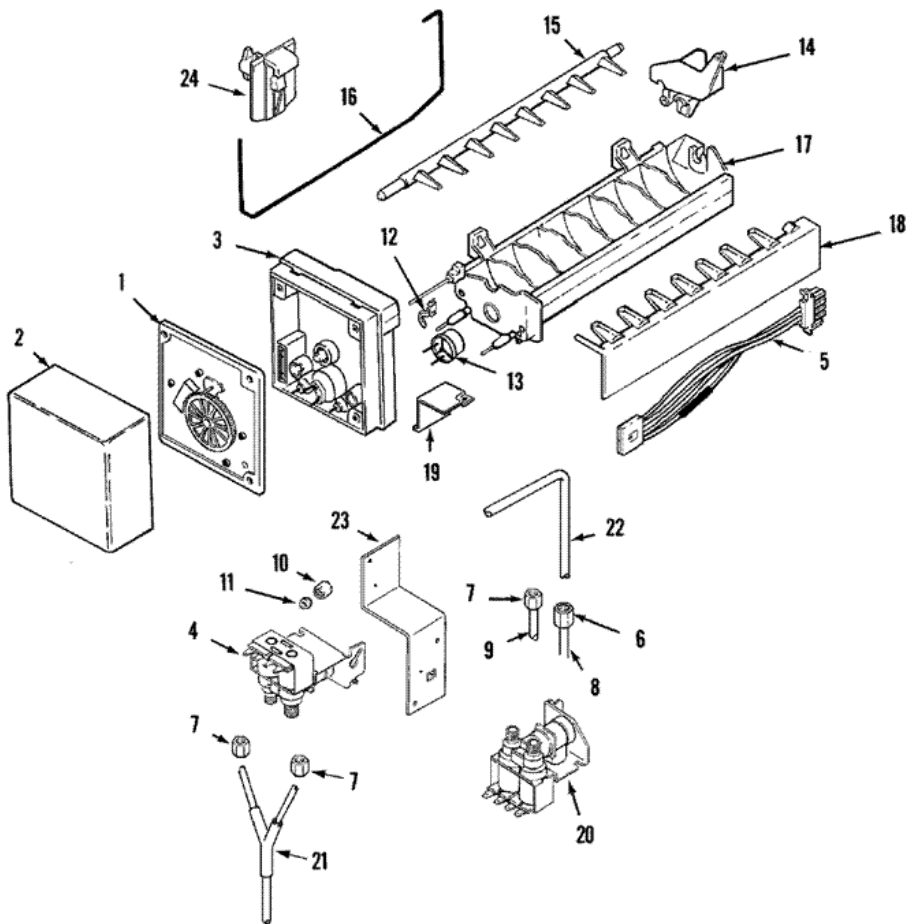
26	69702-1	BLADE, CRUSHER (S/P)
27	69708-1	LOCK, FIXED BLADE (S/P)
28	69705-1	PIN, BLADE LOCK (S/P)
29	69718-1	DOOR, ICE CRUSHER (S/P)
30	61004807	ROD, CRUSHER CONTROL (S/P)
31	61004808	SPRING, CONTROL ROD (S/P)
32	61004809	BRACKET, CONTROL ROD (S/P)
33	61003324	SCREW (S/P)
33	61005253	SOLENOID
34	61005844	YOKE ASSY.
35	61004850	SHIELD, WIRE DESCONTINUADO

Distribuidor Autorizado

SurteRápido.com

Venta de Refacciones
Electrodomesticas

MSD2356AEW ICE MAKER





MSD2356AEW ICE MAKER

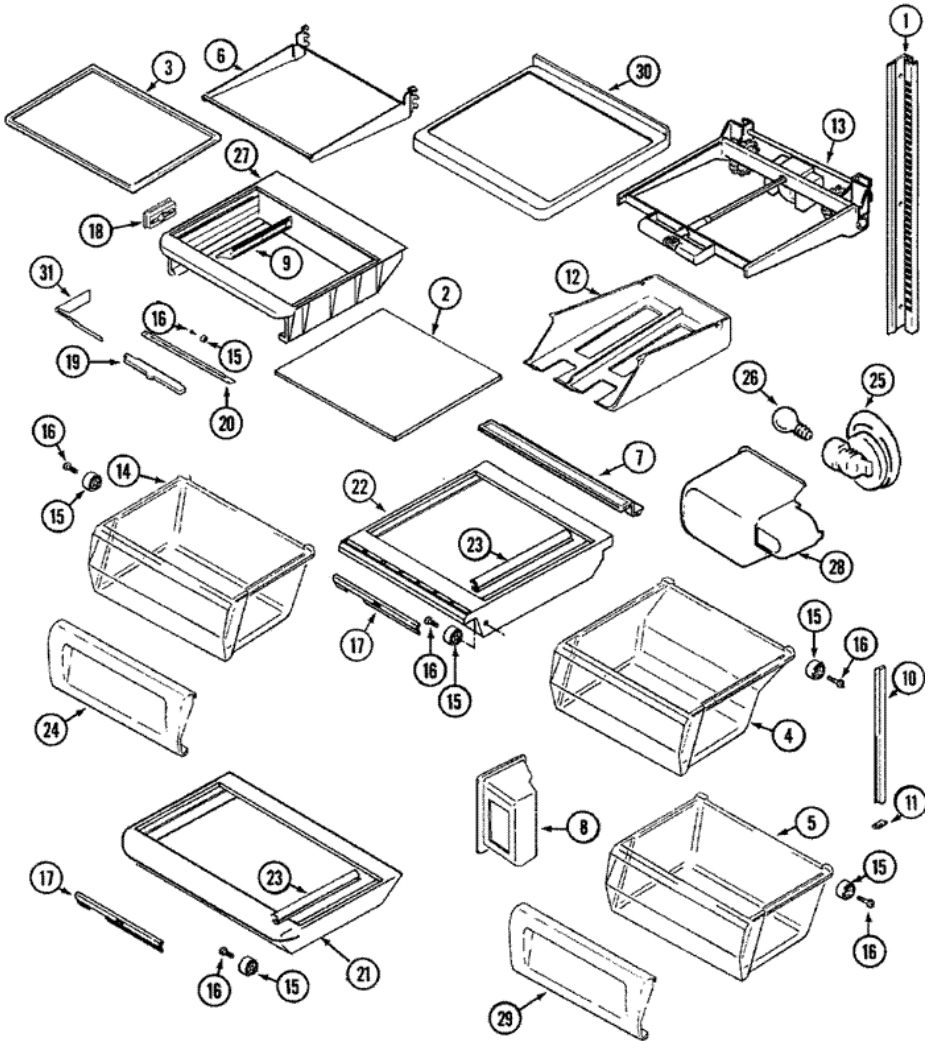
1	400017-1	SCREW (S/P)
1	D7824706Q	MODULE, ICE MAKER (S/P)
2	61005374	COVER, ICE MAKER (S/P)
3	95106-1	SCREW (S/P)
3	2195914	SUPPORT, MODULE HOUSING (S/P)
4	12001892	VALVE, WATER (FILTER)
4	61003324	SCREW (S/P)
5	61003318	WIRE HARNESS, ICE MAKER (S/P)
6	8201513	NUT, COMPRESSION (5/16``) (S/P)
7	627018	NUT, COMPRESSION (1/4``) (S/P)
9	B5705307	TUBING, VALVE TO GROMMET (S/P)
10	245183	NUT, BRASS (1/4``) (S/P)
11	487627	SLEEVE, BRASS (S/P)
12	2315522	RETAINER, THERMOSTAT (S/P)
13	627985	THERMOSTAT
13	95093-1	CEMENT, ALUMILASTIC (4 OZ.) (S/P)
14	628356	INLET, WATER
15	627843	EJECTOR, ICE (S/P)
16	70142-1	ARM, SENSOR (S/P)
17	D7824706Q	MOLD & HEATER ASSY. (S/P)
18	2182124	STRIPPER, ICE (S/P)
19	95108-1	SCREW, BRACKET (S/P)
19	2256087	BRACKET, MODULE & HEATER (S/P)
20	61003324	SCREW (S/P)
20	61005626	VALVE, WATER (ICE MAKER)
21	61003809	GROMMET ASSY., WATER LINE (S/P)
21	61003800	CLIP, WATER FILTER (S/P)
21	61001161	CLAMP, WATER LINE (S/P)
22	61005640	GROMMET ASSY., WATER LINE (S/P)
23	61003732	BRACKET, WATER VALVE (S/P)
23	61002819	SCREW (S/P)
24	61005028	SUPPORT, ICE MAKER (S/P)

Distribuidor Autorizado

SurteRápido.com

Venta de Refacciones
Electrodomesticas

MSD2356AEW SHELVES





MSD2356AEW SHELVES

1	400017-1	SCREW (S/P)
1	12002129	RAIL, SHELF SUPPORT (S/P)
2	61003662	GLASS, CRISPER SHELF (UPR)-NA DESCONTINUADO
2	61003664	GLASS, CRISPER SHELF (LWR) DESCONTINUADO
3	61003709	GLASS, MEAT SHELF DESCONTINUADO
4	61005712	PAN, CRISPER (UPR) (S/P)
5	61005714	PAN, CRISPER (LWR) (S/P)
6	61005963	FRAME, SLIDE OUT SHELF DESCONTINUADO
6	61005963	FRAME, SLIDE OUT SHELF DESCONTINUADO
7	61003671	SEAL, CRISPER SHELF (REAR) (S/P)
7	61005198	SEAL, CRISPER PAN (FRT) (S/P)
8	61006081	COVER ASSY., AIR RETURN
9	61003723	COVER, MEAT CONTROL TAPE (S/P)
9	415013-35	SCREW (S/P)
10	61003888	STRIP, FILLER (SIDES) (S/P)
11	61004110	BASE, FILLER STRIP (LT) (S/P)
11	400019-1	SCREW (S/P)
11	61004109	BASE, FILLER STRIP (RT) (S/P)
12	61002406	RACK, CAN (S/P)
13	61005511	FRAME ASSY., ELEVATOR SHELF DESCONTINUADO
14	61005716	PAN, MEAT (S/P)
15	67423-2	ROLLER (S/P)
16	65275-6	SCREW (S/P)
17	61003781	SLIDE, CONTROL (S/P)
18	61003725	RETAINER, DUCT (S/P)
18	61006055	DUCT, AIR (MEAT) (S/P)
19	61003674	SLIDE, CONTROL (MEAT) (S/P)
20	61003784	COVER, MEAT PAN SLIDE (S/P)
20	415013-35	SCREW (S/P)
21	12002189	SHELF, CRISPER (LWR) (S/P)
22	12002187	SHELF, CRISPER (UPR) DESCONTINUADO
23	61003715	SEAL, CRISPER SIDE (LWR) (S/P)
23	61003714	SEAL, CRISPER SIDE (UPR) DESCONTINUADO

24	61004507	FRONT ASSY., MEAT PAN (S/P)
25	61003379	RECEPTACLE, BULB (S/P)
26	61001787	BULB, LIGHT
27	61006239	FRAME, MEAT SHELF DESCONTINUADO
28	61003439	SHIELD, LIGHT (S/P)
29	61004508	FRONT ASSY., CRISPER DESCONTINUADO
30	61003801	SHELF, SLIDE OUT (SPILLPROOF) DESCONTINUADO
30	61003862	SHELF, ELEVATOR DESCONTINUADO
31	61003722	TAPE, MEAT CONTROL (S/P)