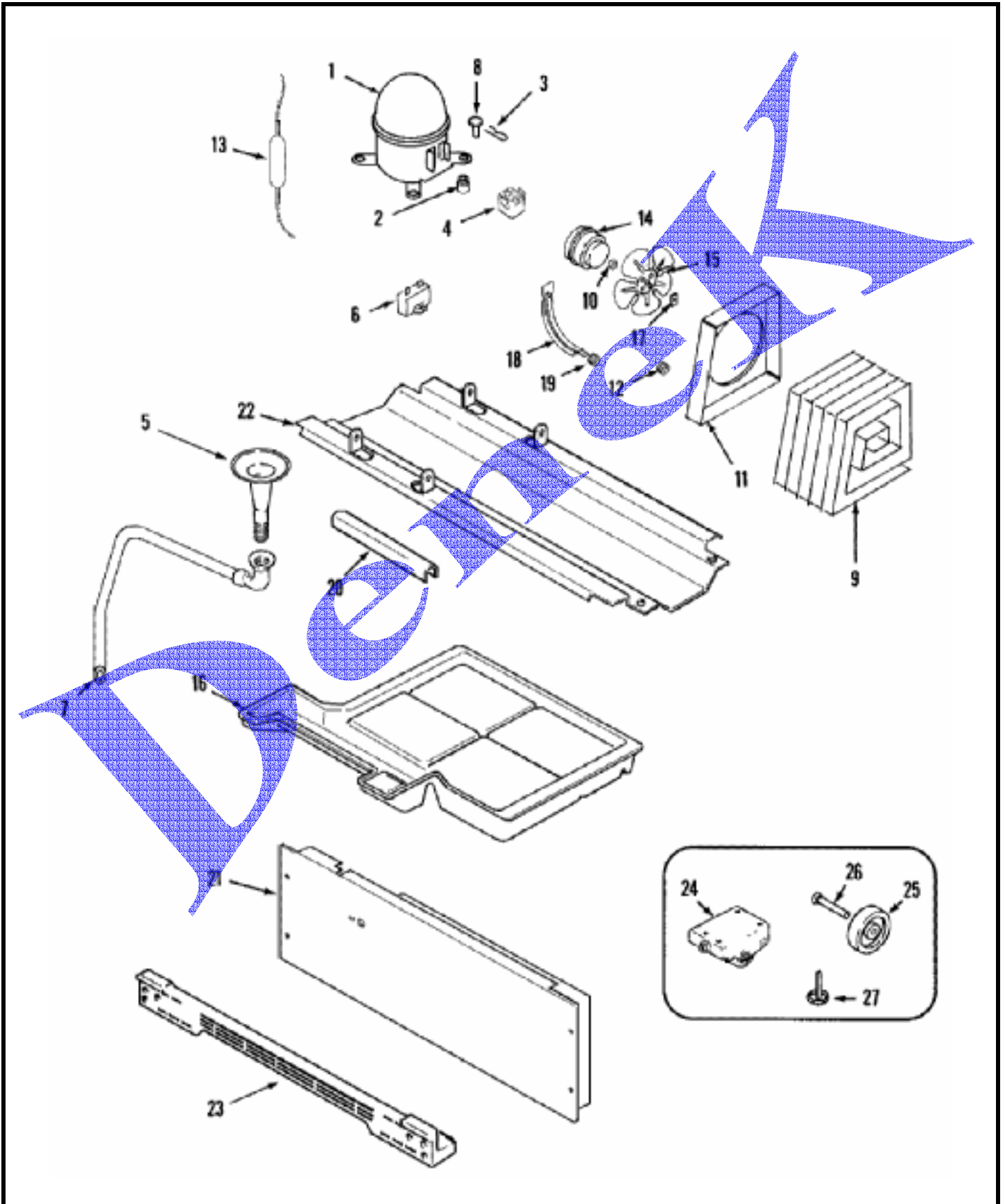


## MAYTAG REFRIGERADOR MSD2454FRQ

## COMPRESSOR



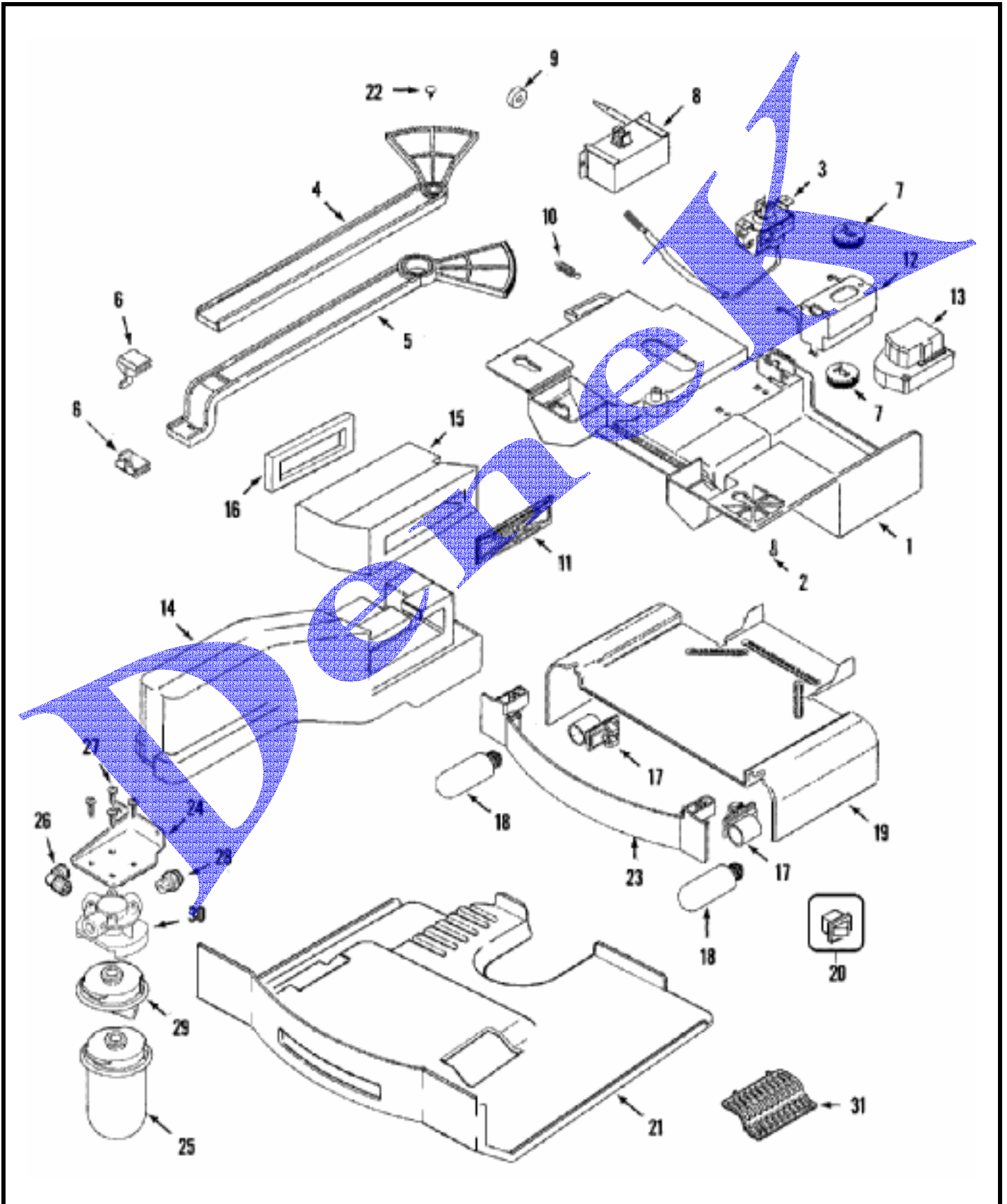
## MAYTAG REFRIGERADOR MSD2454FRQ

## COMPRESSOR

1	12001777	COMPRESSOR ASSY. (R134A)
1	61004917	WIRE HARNESS, COMPRESSOR
2	17245-4	GROMMET, COMPRESSOR
2	61005241	GROMMET, COMPRESSOR
3	61003099	CLIP, COMPRESSOR
4	61004918	RELAY/OVERLOAD ASSY.
5	61004751	TUBE, DRAIN
6	400017-1	SCREW
6	65889-4	CAPACITOR, RUN
7	53516-9	CLAMP
7	61003133	HOSE, DRAIN
8	52656-2	PLUG, COMPRESSOR
9	61003130	CONDENSER
9	61004378	SCREW
10	61001686	WASHER, FAN BLADE
11	61001941	SHROUD, CONDENSER
12	61002033	GROMMET, CONDENSER TUBING
13	13900-1	DRIER
14	61001016	MOTOR, CONDENSER FAN
14	65275-33	SCREW
15	60683-1	BLADE, CONDENSER FAN
16	400017-1	SCREW
16	61002649	PAN, DRAIN
17	19914	CLIP, FAN BLADE
18	69181-1	BRACKET, FAN MOTOR
19	61004743	GROMMET, BRACKET
20	61004584	ISOLATOR, CONDENSER
21	61004661	COVER, COMPRESSOR COMPARTMENT
21	65275-50	SCREW
22	61005268	PAN, COMPRESSOR MTG.
22	61002407	SCREW
22	61003371	PAN, COMPRESSOR MTG.
23	61004919	KICKPLATE (BSQ)
23	400016-1	SCREW
24	400016-1	SCREW
24	400017-1	SCREW
24	61005232	WHEEL ASSY. (FRT)
24	61002066	WHEEL ASSY. (FRT)
25	61003826	WHEEL (REAR)
26	61002104	PIN, WHEEL
27	61002014	LEG, LEVELING
28	16009545	MANUAL, USE & CARE
29	16009103	MANUAL, SERVICE SXS APD

## MAYTAG REFRIGERADOR MSD2454FRQ

## CONTROLS



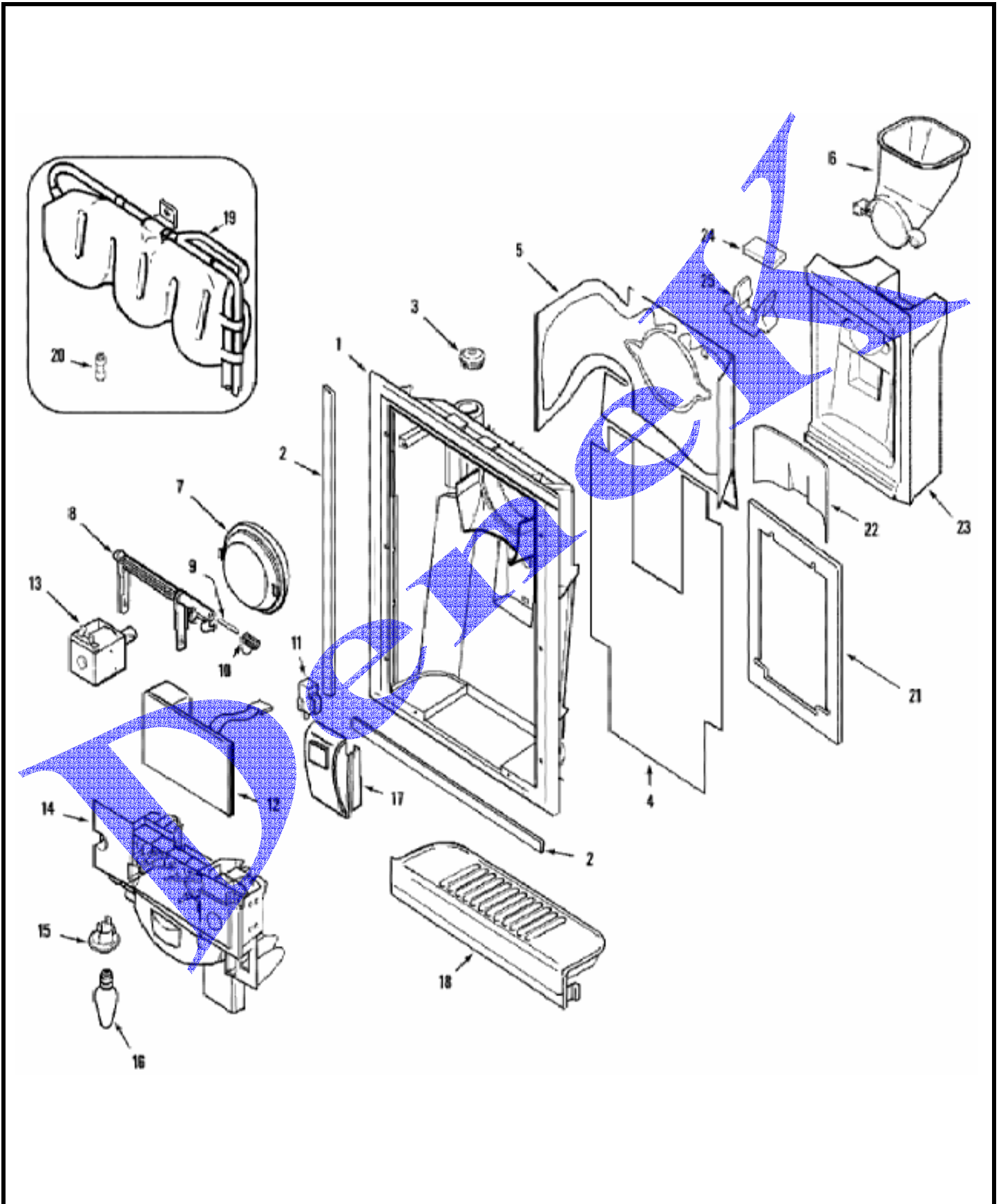
## MAYTAG REFRIGERADOR MSD2454FRQ

## CONTROLS

1	400031-1	SCREW
1	61003228	FOIL, HEAT SHIELD
1	61005021	HOUSING ASSY., AUTO DAMPER
2	61004314	SCREW (#8 AB)
3	400016-1	SCREW
3	61003123	CONTROL ASSY., TEMPERATURE
4	61003287	ROD, DAMPER CONTROL
5	61003293	ROD, TEMP. CONTROL
6	61004591	END CAP, CONTROL ROD
7	61003305	GEAR, CONTROL SLIDE
8	61003359	SCREW
8	61005022	DAMPER, AUTO
9	61003358	WASHER, DAMPER ROD
10	61003141	SPRING, DAMPER DOOR
11	61003235	DOOR, DAMPER
12	61003315	SUPPORT, TEMP. CONTROL
13	405007-1	SCREW
13	68233-2	TIMER, DEFROST
14	61003229	INSULATION, DISCHARGE (LT)
14	61003230	INSULATION, DISCHARGE (RT)
15	61003231	TUNNEL, CONTROL HOUSING
15	61004696	SEAL, TUNNEL
16	61003819	SEAL, TUNNEL
17	61003237	RECEPTACLE, BULB
18	61003354	BARRIER, FOIL (LT)
18	61003355	BARRIER, FOIL (RT)
18	61003236	BULB, LIGHT
19	61003238	SHIELD, HEAT
20	61003661	SWITCH, LIGHT
21	61004506	SHIELD, LIGHT
22	61003316	RETAINER, CONTROL ROD
23	400031-1	SCREW
23	61004380	PANEL, CONTROL
24	61003698	BRACKET, WATER FILTER
25	UKF7001AXX	FILTER, WATER
26	61003705	FITTING ASSY., WATER FILTER
27	61003796	SCREW
28	61003790	FITTING, WATER FILTER
29	61003791	PLUG, FILTER BYPASS
30	61003789	HEAD, WATER FILTER
31	61004590	GRILL, LIGHT
32	61004697	WIRE HARNESS, CONTROLS
32	61004662	WIRE HARNESS, FRZ./F.F.

## MAYTAG REFRIGERADOR MSD2454FRQ

## FOUNTAIN



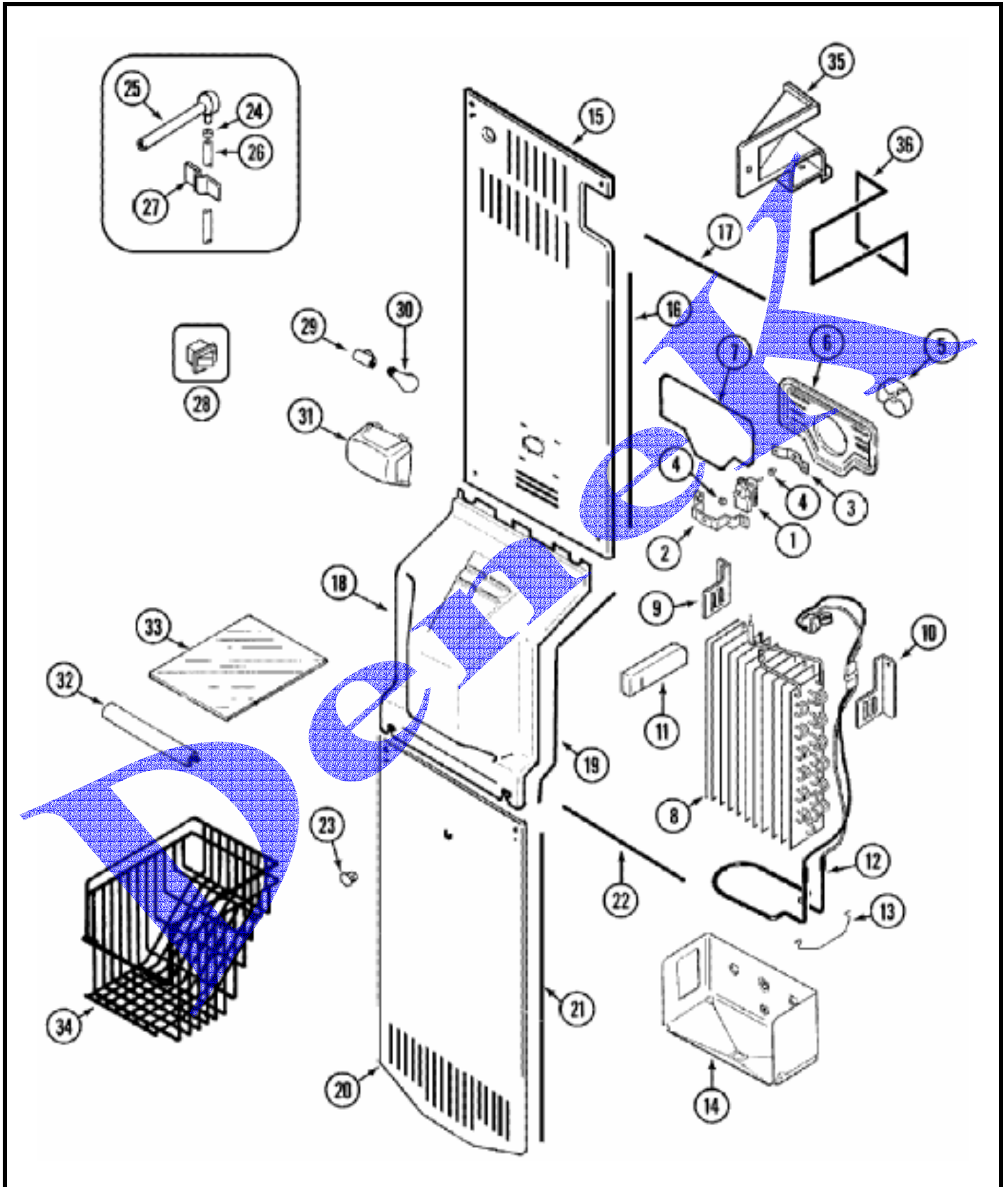
## MAYTAG REFRIGERADOR MSD2454FRQ

## FOUNTAIN

1	415013-35	SCREW
1	61003307	SCREW
1	61004772	HOUSING, FOUNTAIN (BSQ)
2	61003286	TAPE (1FT.)
3	61003300	GROMMET, WATER TUBE
4	61003304	FOIL, FTN. BACK
5	61003125	HEATER, FOUNTAIN
5	61005001	HEATER, FOUNTAIN
6	61004677	CHUTE, ICE
6	415013-35	SCREW
7	61003507	DOOR ASSY., ICE
8	61003311	STRIKE, ICE DOOR
9	61003303	PIN, ROLL
10	61004388	SPRING, FTN. RETURN
11	415041-35	SCREW
11	61003124	SWITCH, LIMIT
12	61003425	BOARD, CONTROL
12	61003426	BARRIER
12	61005274	BOARD, CONTROL
13	61003121	SOLENOID
13	61003297	SCREW
14	415013-35	SCREW
14	61004773	BRACKET, FOUNTAIN (BSQ)
15	70119-1	RECEPTACLE, BULB
16	63179-1	BULB, LIGHT
17	61004441	PAD, ACTUATOR (LT. GRY)
18	61004774	GRILL (BSQ)
19	400022-1	SCREW
19	61003306	TANK ASSY., WATER
20	61001614	UNION, REDUCING (5/16"-5/16")
21	61003339	INSULATION
22	61003340	INSULATION
23	61004700	INSULATION, FTN. (STYROFOAM)
24	61003343	INSULATION
25	61003308	INSULATION
26	61003458	WIRE HARNESS, FTN. SWITCHES
26	61005275	WIRE HARNESS, FTN.
26	61004775	WIRE HARNESS, FTN.

## MAYTAG REFRIGERADOR MSD2454FRQ

## FREEZER COMPARTMENT



## MAYTAG REFRIGERADOR MSD2454FRQ

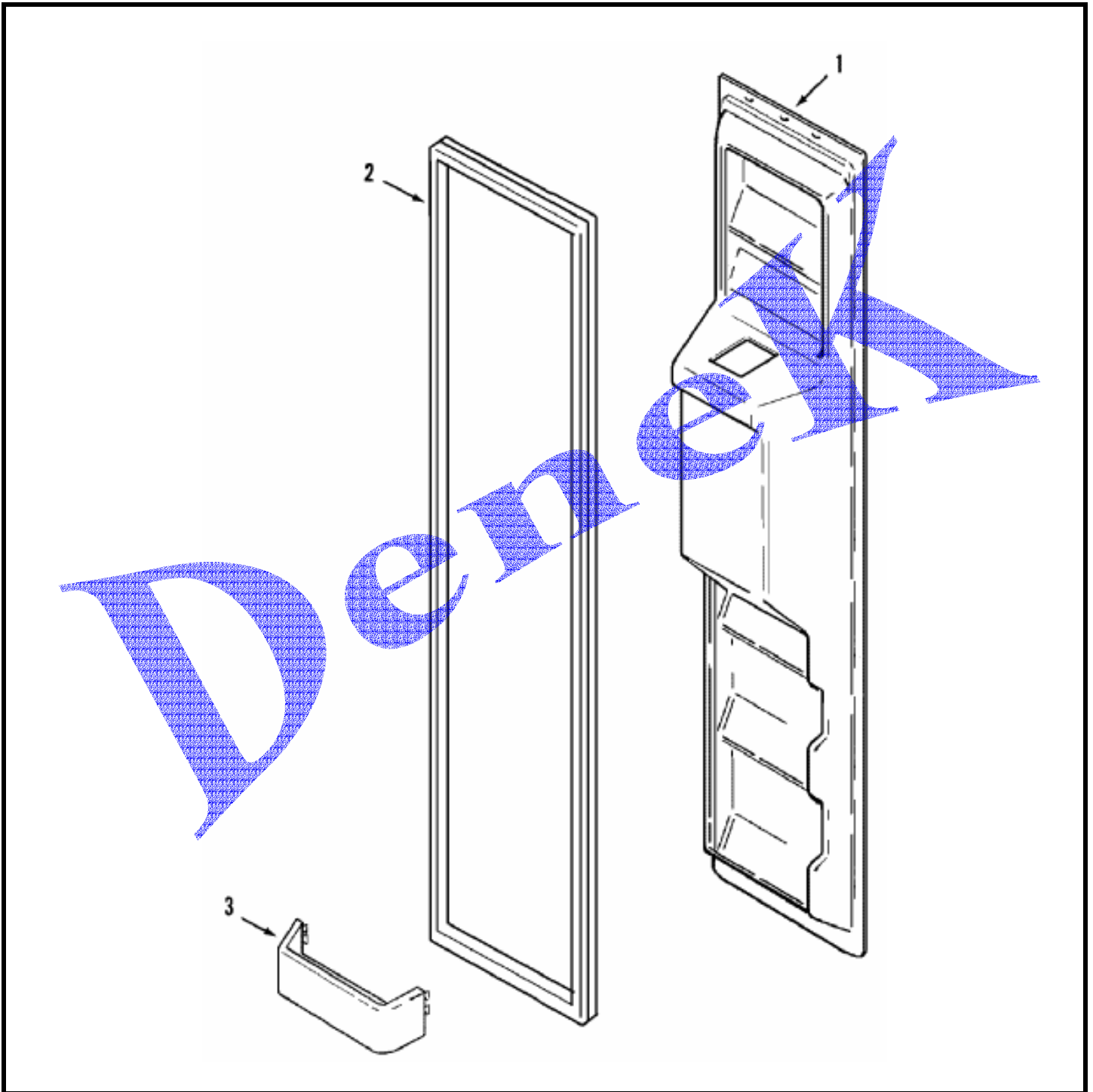
## FREEZER COMPARTMENT

1	61004888	MOTOR, EVAPORATOR FAN
2	61001885	SCREW
2	61001930	BRACKET, EVAPORATOR FAN
3	61002234	RETAINER, EVAPORATOR FAN
3	61001885	SCREW
4	61002235	BUSHING, EVAPORATOR FAN
5	61001935	BLADE, EVAPORATOR FAN
6	61003380	SHROUD, FAN
7	61003381	SEAL, FAN SHROUD
8	12001640	EVAP/HEAT EXCH ASSY23/24/25SXS
9	61003215	BRACKET, EVAPORATOR (LT)
10	61003216	BRACKET, EVAPORATOR (RT)
11	61003213	BLOCK, AIR
12	61003120	HEATER & THERM. ASSY., DEFROST
13	61004152	CLIP, DEFROST HEATER
14	61003382	HOUSING, EVAPORATOR
15	61003383	COVER, COIL (UPR)
15	61004424	SCREW
16	61003384	SEAL, UPPER COVER (LT)
16	61003385	SEAL, UPPER COVER (RT)
17	61003386	SEAL, UPPER COVER (TOP)
18	61003387	COVER, EVAPORATOR FAN
19	61003209	SEAL
20	61003388	COVER, COIL (LWR)
20	61004424	SCREW
21	61003212	SEAL
22	61003389	SEAL, LOWER COVER
23	61001952	PLUG BUTTON, EVAP. COVER
24	61001161	CLAMP, WATER LINE
25	61003253	GROMMET, FILL TUBE
25	67877-1	CLIP, FILL TUBE
26	67579-1	TUBE VALVE
27	61004913	CLIP, WATER LINE (ADHESIVE)
28	61003254	SWITCH, LIGHT
29	68974-3	RECEPTACLE, BULB
30	31956-1	BULB, LIGHT REF ONLY
31	61002272	SHIELD, LIGHT
32	61003390	TRIM, SHELF (FRT)
33	61003391	SHELF, FRZ.
33	61003392	SHELF, FRZ.
34	61003393	BASKET, FRZ.
35	400017-1	SCREW
35	61003205	DIVERTER, AIR
36	61003206	SEAL, AIR DIVERTER
37	61003204	WIRE HARNESS, FAN & HEATER
37	61003731	WIRE HARNESS, FRZ.



## MAYTAG REFRIGERADOR MSD2454FRQ

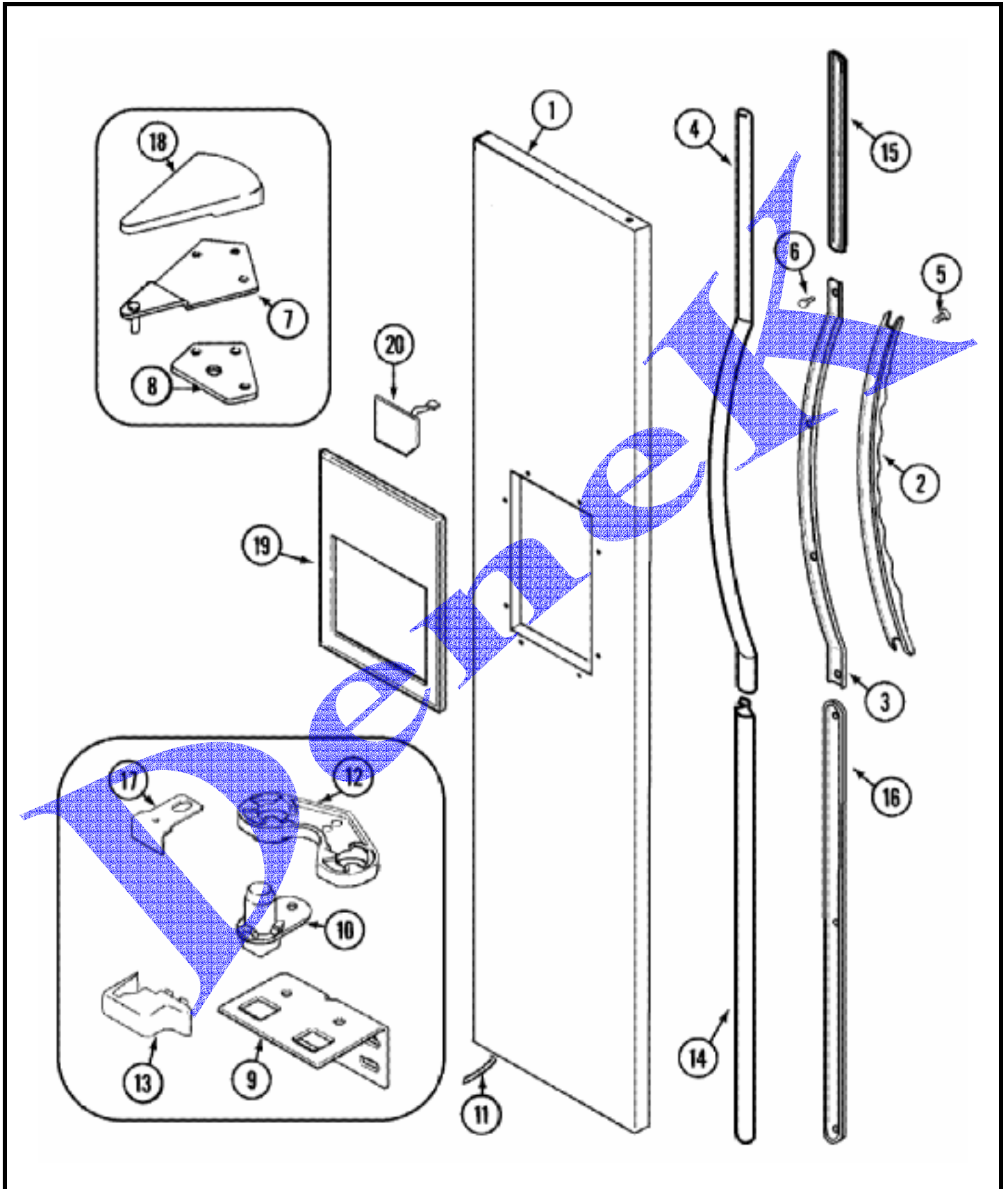
## FREEZER INNER DOOR



- |   |          |                       |
|---|----------|-----------------------|
| 1 | 61003403 | LINER, FRZ. DOOR      |
| 1 | 65275-5  | SCREW                 |
| 2 | 61003404 | SEAL, FRZ. DOOR (WHT) |
| 3 | 61003405 | FRONT, PICK-OFF       |

## MAYTAG REFRIGERADOR MSD2454FRQ

## FREEZER OUTER DOOR



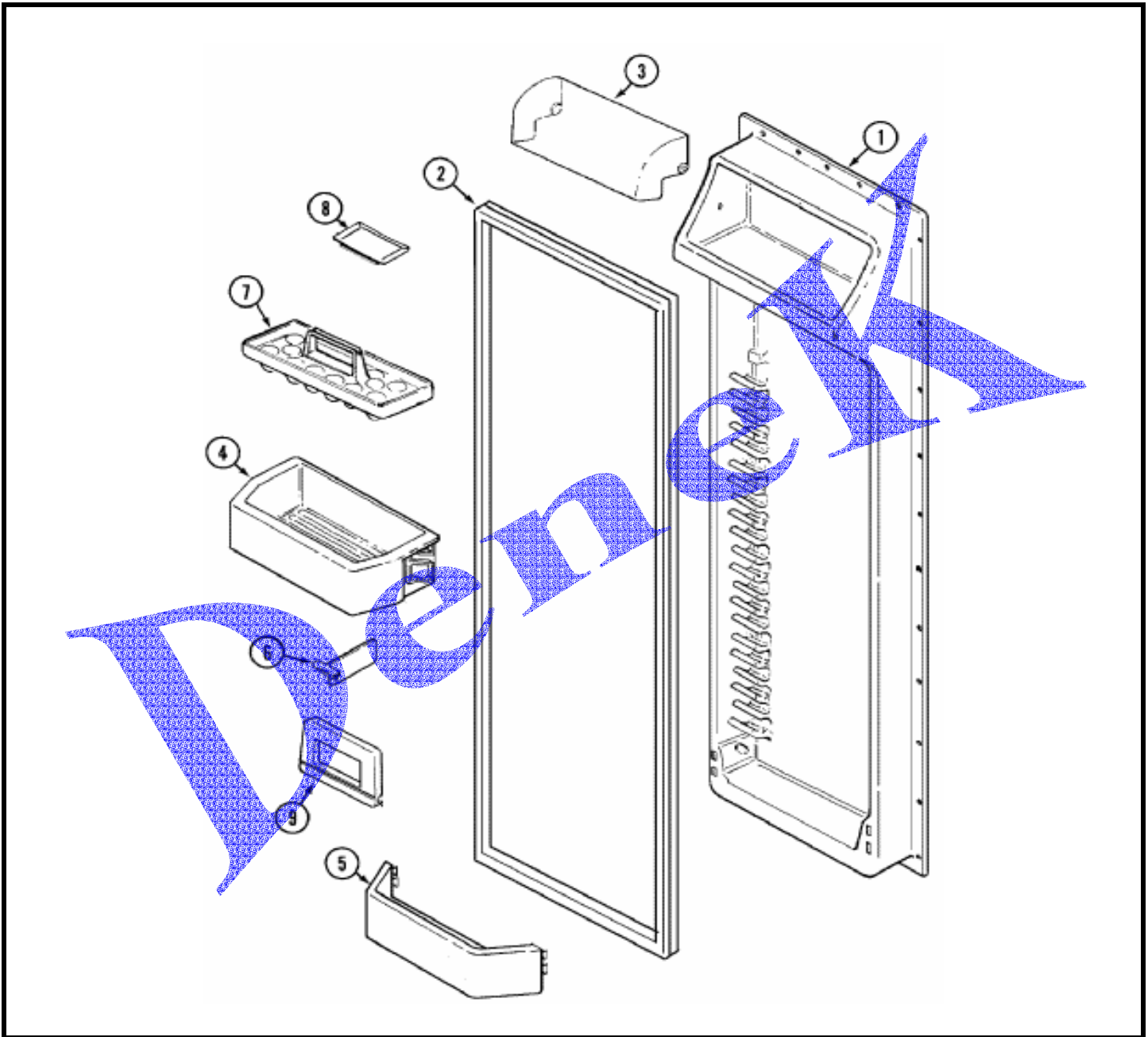
## MAYTAG REFRIGERADOR MSD2454FRQ

## FREEZER OUTER DOOR

1	61005026	PANEL, FRZ. DOOR (BSQ)
1	61005285	PANEL, FRZ. DOOR (BSQ)
2	61004992	HANDLE, F.F. DOOR (BSQ)
3	61004292	FRAME, HANDLE
4	61004994	INSERT, HANDLE (BSQ)
5	61003351	SCREW, HANDLE TO FRAME
6	61002180	SCREW
7	61004896	HINGE, UPPER
7	61004763	SCREW
8	61001922	SHIM, UPPER HINGE
9	61003128	SCREW
9	61004764	HINGE, LOWER (BSQ)
10	61003174	PIN, LOWER HINGE
11	61001614	UNION, REDUCING (5/16"-5/16")
11	61004557	TUBING, FOUNTAIN
12	61002180	SCREW
12	61003647	CLOSER, DOOR (NATURAL)
13	61004769	COVER, LOWER HINGE (BSQ)
14	61005025	INSERT, EXT. TRIM (BSQ)
15	61004497	TRIM, HANDLE EXT. (UPR)
16	61003396	TRIM, HANDLE EXT. (LWR)
17	61002180	SCREW
17	61003273	STOP, DOOR
18	61004641	SCREW, COVER
18	61004771	COVER, UPPER HINGE (BSQ)
19	61005027	ESCUTCHEON (BSQ)----NA
19	61005283	ESCUTCHEON (BSQ)
19	415013-35	SCREW
20	61003421	BOARD, FTN. SWITCH
20	61003422	SCREW
20	61005000	BOARD, FTN. SWITCH

**MAYTAG REFRIGERADOR MSD2454FRQ**

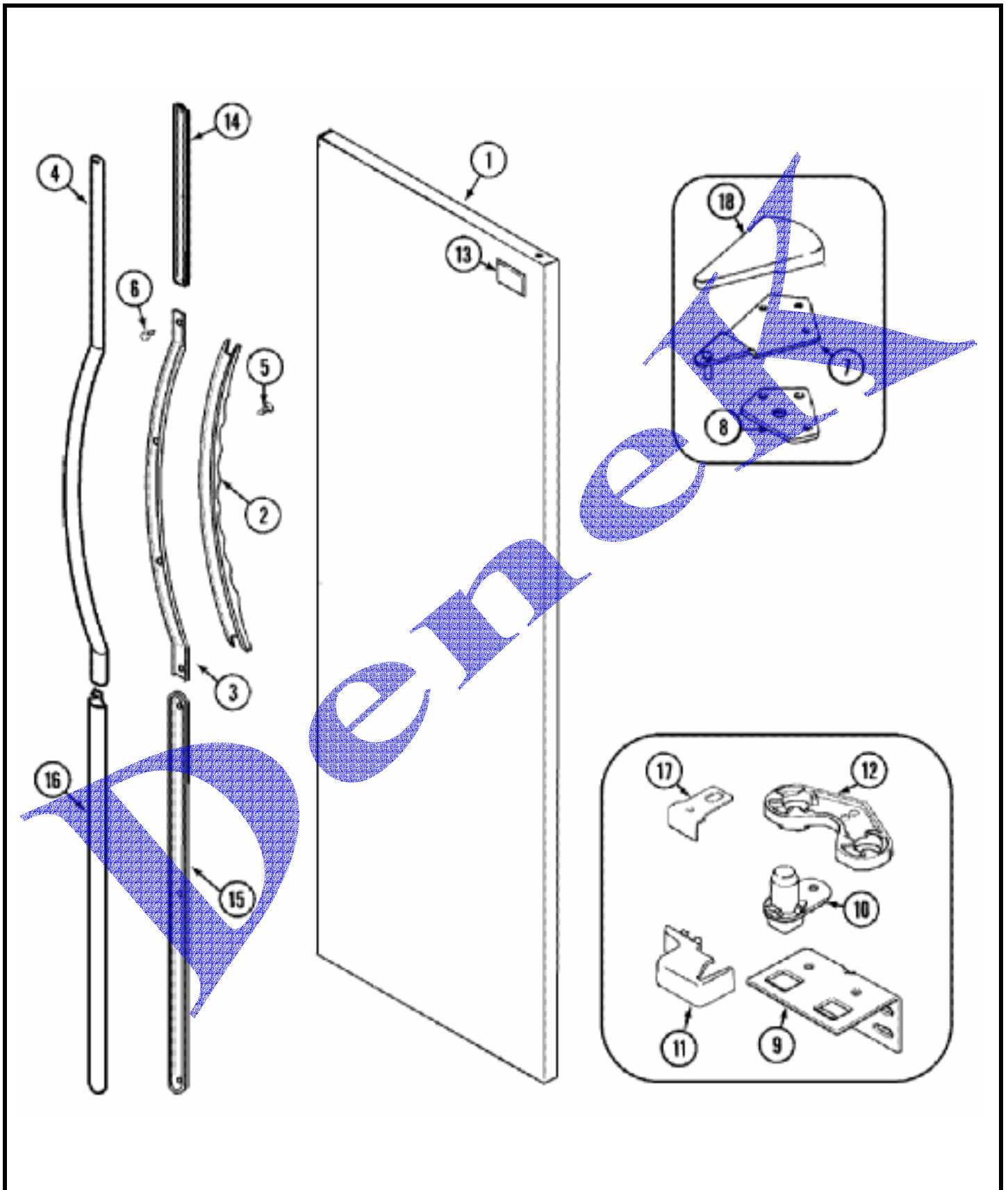
**FRESH FOOD INNER DOOR**



- |   |          |                       |
|---|----------|-----------------------|
| 1 | 61003399 | LINER, F.F. DOOR      |
| 1 | 65275-5  | SCREW                 |
| 2 | 61003400 | SEAL, F.F. DOOR (WHT) |
| 3 | 61003365 | DOOR, DAIRY           |
| 4 | 61003366 | SHELF, PICK-OFF       |
| 5 | 61003367 | FRONT, PICK-OFF       |
| 6 | 61002274 | ORGANIZER, SHELF      |
| 7 | 60066-1  | TRAY, EGG             |
| 8 | 29936-2  | TRAY, BUTTER          |
| 9 | 61002273 | RETAINER, BOTTLE      |

## MAYTAG REFRIGERADOR MSD2454FRQ

## FRESH FOOD OUTER DOOR



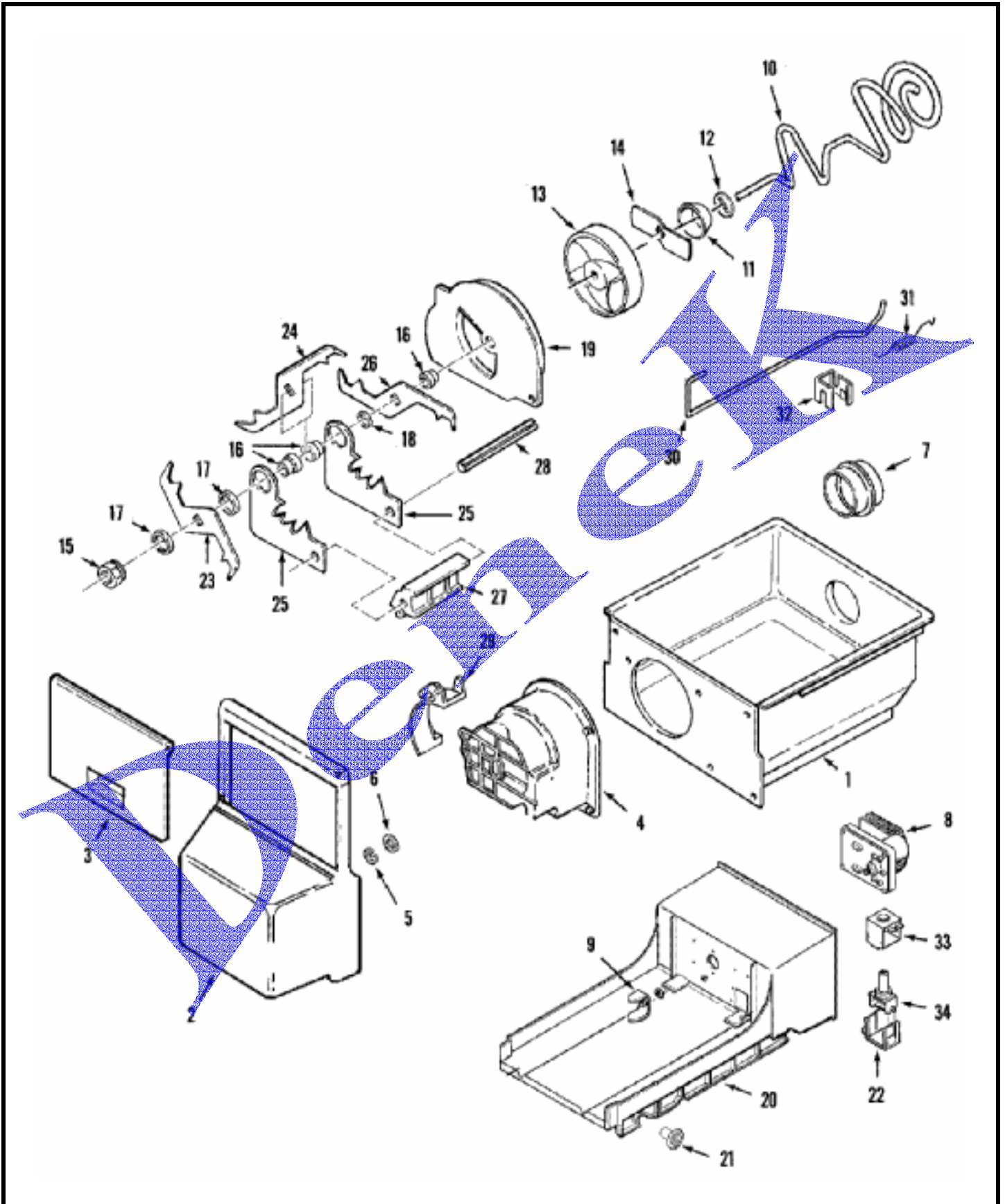
## MAYTAG REFRIGERADOR MSD2454FRQ

## FRESH FOOD OUTER DOOR

1	61003514	LABEL, DUAL ENERGY GUIDE
1	61005023	PANEL, F.F. DOOR (BSQ)
2	61004992	HANDLE, F.F. DOOR (BSQ)
3	61004292	FRAME, HANDLE
4	61004994	INSERT, HANDLE (BSQ)
5	61003351	SCREW, HANDLE TO FRAME
6	61002180	SCREW
7	61004763	SCREW
7	61004896	HINGE, UPPER
8	61001922	SHIM, UPPER HINGE
9	61003128	SCREW
9	61004764	HINGE, LOWER (BSQ)
10	61003174	PIN, LOWER HINGE
11	61004765	COVER, LOWER HINGE (BSQ)
12	61003647	CLOSER, DOOR (NATURAL)
12	61002180	SCREW
13	61005024	NAMEPLATE (BSQ)
14	61004497	TRIM, HANDLE EXT. (UPR)
15	61003396	TRIM, HANDLE EXT. (LWR)
16	61005025	INSERT, EXT. TRIM (BSQ)
17	61002180	SCREW
17	61003273	STOP, DOOR
18	61004766	COVER, UPPER HINGE (BSQ)

## MAYTAG REFRIGERADOR MSD2454FRQ

## ICE BIN



## MAYTAG REFRIGERADOR MSD2454FRQ

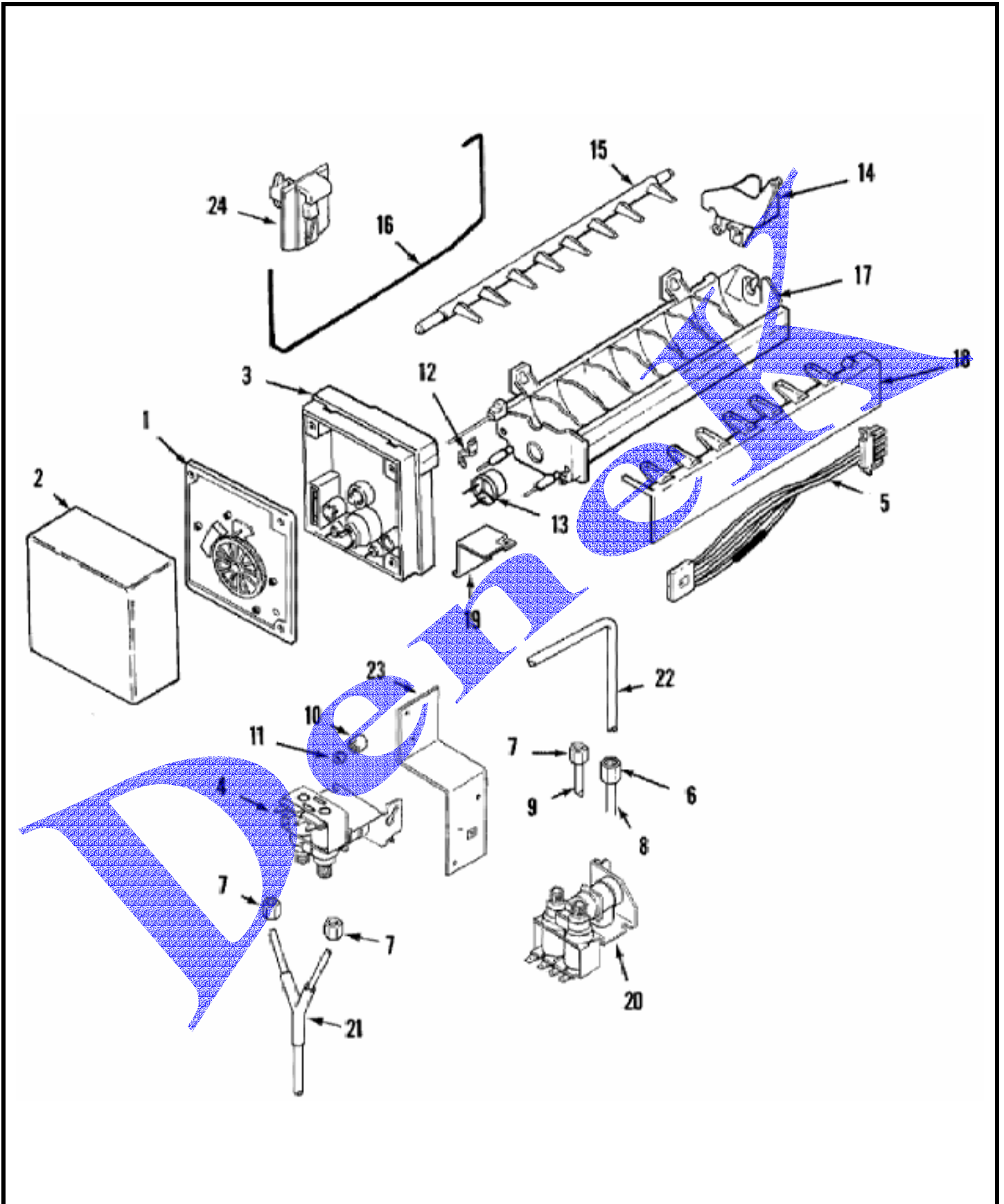
## ICE BIN

1	61004802	BIN, ICE
2	61004803	FRONT, ICE BIN
2	415013-35	SCREW
3	61004300	DOOR, ICE ACCESS
4	61004869	SEAL
4	415013-35	SCREW
4	61004804	HOUSING, CRUSHER
5	69704-1	RING, SNAP
6	69703-1	WASHER, RETAINER
7	61003336	RING, DRIVE
8	61003324	SCREW
8	61004805	WIRE HARNESS, AUGER MOTOR
8	12001773	ASSY, AUGER MOTOR/YOKE
8	61005281	WIRE HARNESS, AUGER MOTOR
9	63052-1	YOKE, ICE DISPENSER
10	61003326	AUGER
11	69699-1	CONE, ICE DEFLECTOR
12	69698-1	WASHER, CONE STOP
13	70036-1	IMPELLER
14	69755-1	PLATE, DRIVE
15	69709-1	NUT, AUGER
16	69697-1	BEARING, SPACER
17	69696-1	SPACER, CRUSHER BLADE
18	69696-2	SPACER, BLADE
19	69701-1	PLATE, IMPELLER
20	61004846	ENCLOSURE, ICE
20	400022-1	SCREW
21	400022-1	SCREW
21	61003333	SUPPORT, ENCLOSURE
22	400026-12	SCREW
22	69715-1	GUIDE, YOKE
23	69702-3	BLADE, CRUSHER
24	69702-2	BLADE, CRUSHER
25	69706-1	BLADE, CRUSHER
26	69702-1	BLADE, CRUSHER
27	69708-1	LOCK, FIXED BLADE
28	69705-1	PIN, BLADE LOCK
29	69718-1	DOOR, ICE CRUSHER
30	61004807	ROD, CRUSHER CONTROL
31	61004808	SPRING, CONTROL ROD
32	61004809	BRACKET, CONTROL ROD
33	61003118	SOLENOID
33	61003324	SCREW
34	61003539	YOKE ASSY.



## MAYTAG REFRIGERADOR MSD2454FRQ

## ICE MAKER



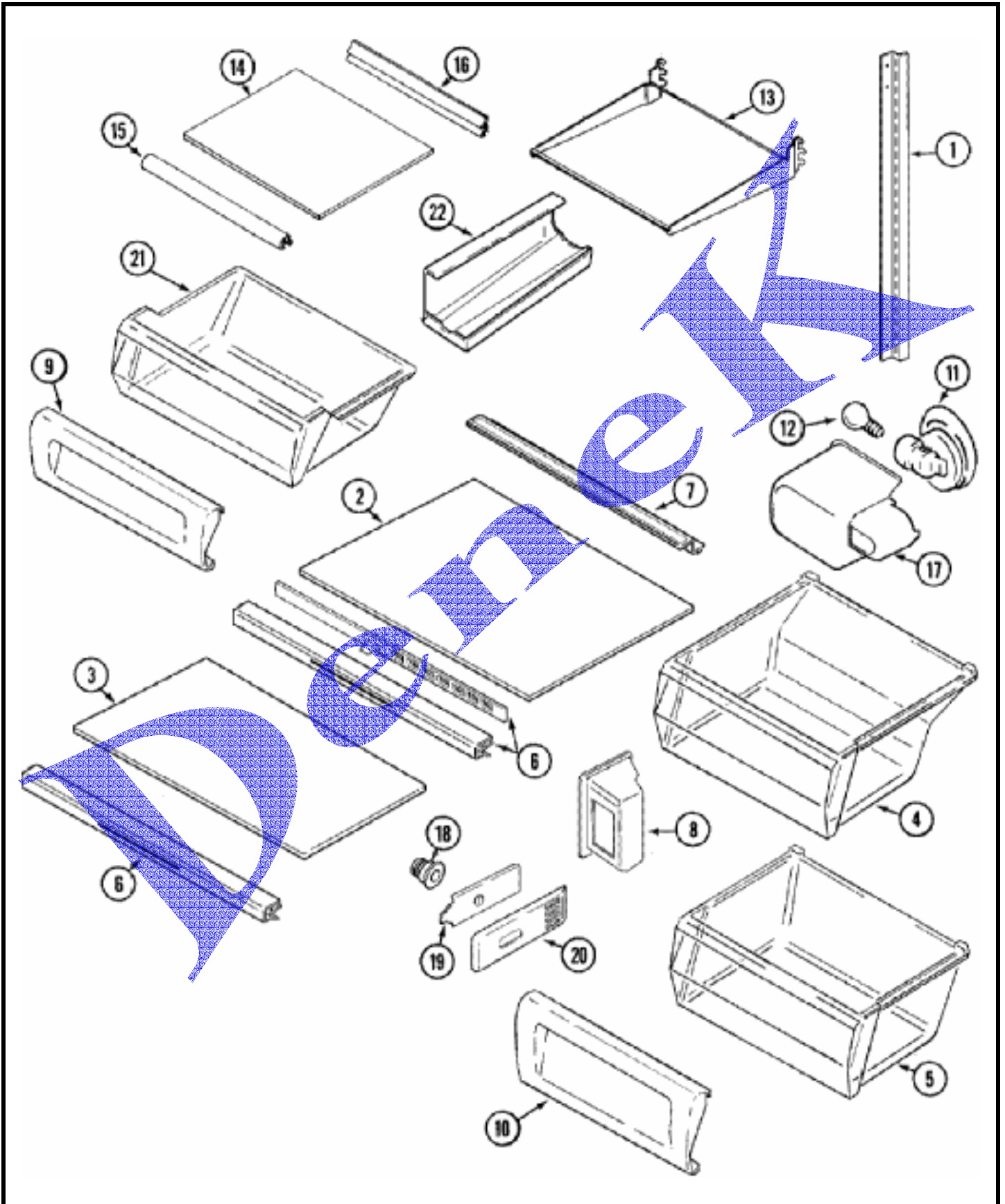
## MAYTAG REFRIGERADOR MSD2454FRQ

## ICE MAKER

1	400017-1	SCREW
1	95109-1	MODULE, ICE MAKER
2	61004594	COVER, ICE MAKER
3	95106-1	SCREW
3	95103-1	SUPPORT, MODULE HOUSING
4	61003783	VALVE, WATER (FILTER)
4	61001885	SCREW
5	61003318	WIRE HARNESS, ICE MAKER
5	61005276	WIRE HARNESS, ICE MAKER
6	69583-2	NUT, COMPRESSION (5/16")
7	69583-1	NUT, COMPRESSION (1/4")
8	0	SEE NOTE
9	67579-1	TUBE, VALVE
10	69432-1	NUT, BRASS (1/4")
11	69431-1	SLEEVE, BRASS
12	95104-1	RETAINER, THERMOSTAT
13	95092-1	THERMOSTAT
13	95093-1	CEMENT, ALUMILASTIC (4 OZ.)
14	95100-1	INLET, WATER
15	95101-1	EJECTOR, ICE
16	61004136	ARM, SENSOR
17	95098-1	MOLD & HEATER ASSY.
18	95102-1	STRIPPER, ICE
19	95107-1	BRACKET, MODULE & HEATER
19	95108-1	SCREW, BRACKET
20	61004823	VALVE, WATER (ICE MAKER)
20	61001885	SCREW
21	61001161	CLAMP, WATER LINE
21	61004843	CLIP, WATER FILTER (ADHESIVE)
21	61003810	GROMMET ASSY., WATER LINE
22	61004511	GROMMET ASSY., WATER LINE
23	61003732	BRACKET, WATER VALVE
23	61002819	SCREW
24	61005028	SUPPORT, ICE MAKER

## MAYTAG REFRIGERADOR MSD2454FRQ

## SHELVES & ACCESSORIES



## MAYTAG REFRIGERADOR MSD2454FRQ

## SHELVES & ACCESSORIES

1	400017-1	SCREW
1	61003240	RAIL, SHELF SUPPORT
2	61003337	GLASS, CRISPER SHELF
3	61003157	GLASS, MEAT SHELF
4	61003338	PAN, CRISPER
5	61003356	PAN, MEAT
6	61003357	TRIM, CRISPER SHELF (W/SLIDE)
6	61003162	TRIM
7	61003161	SEAL, CRISPER SHELF (REAR)
8	61004287	COVER ASSY., AIR RETURN
9	61003376	FRONT, DELI PAN
10	61003377	FRONT, CRISPER PAN
10	61003378	FRONT, MEAT PAN
11	61003379	RECEPTACLE, BULB
12	61001787	BULB, LIGHT
13	61003373	FRAME, SHELF
13	61003246	FRAME, SHELF
14	61003247	GLASS, SHELF
14	61003374	GLASS, SHELF
15	61003245	TRIM, SHELF
16	61003244	TRIM, SHELF
17	61003439	SHIELD, LIGHT
18	53726-2	TUNNEL, AIR (MEAT)
19	61003249	SLIDE, CONTROL (MEAT)
20	61003250	RETAINER, CONTROL SLIDE
21	61003375	PAN, DELI
22	61002657	HOLDER, BEVERAGE