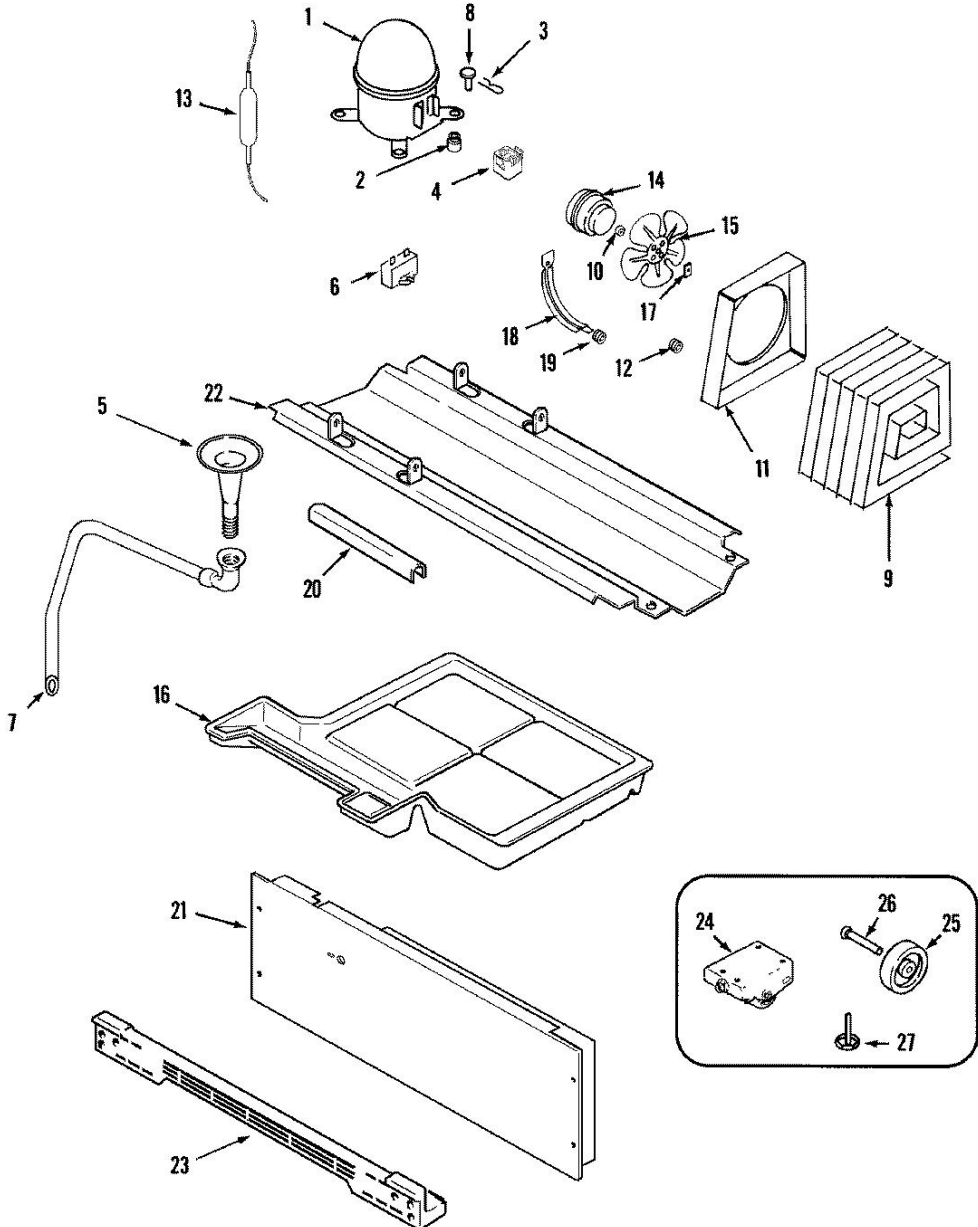


Distribuidor Autorizado

SurteRápido.com

Venta de Refacciones Electrodomesticas

Refrigerador Maytag MSD2454GRW





Refrigerador Maytag MSD2454GRW

Guía	N.P.	Serie	Descripción
1	W10309995	Series 11	COMPRESSOR ASSY. (R134A)
1	W10309995	Series 12	KIT, COMPRESSOR (R134A)
1	W10309995	Series 21	KIT, COMPRESSOR (R134A)
1	W10160407	Series 24	KIT, COMPRESSOR (R134A)
1	61004917	Series 10	WIRE HARNESS, COMPRESSOR
2	10835901	Series 24	GROMMET, COMPRESSOR
2	61005241	Series 10	GROMMET, COMPRESSOR
3	61003099	Series 10	CLIP, COMPRESSOR
4	61004918	Series 11	RELAY/OVERLOAD ASSY.
4	61005271	Series 12	RELAY/OVERLOAD ASSY.
4	61005620	Series 10	CLIP, RELAY/OVERLOAD ASSY.-NA
4	61006186	Series 24	RELAY/OVERLOAD ASSY.
4	61006187	Series 24	CLIP, RELAY/OVERLOAD ASSY.
5	61004751	Series 10	TUBE, DRAIN
6	400017-1	Series 10	SCREW
6	65889-4	Series 10	CAPACITOR, RUN
7	53516-9	Series 10	CLAMP
7	61003133	Series 10	HOSE, DRAIN
8	52656-2	Series 10	PLUG, COMPRESSOR
9	61004378	Series 10	SCREW
9	61005453	Series 10	CONDENSER
10	61001686	Series 10	WASHER, FAN BLADE
11	61001941	Series 10	SHROUD, CONDENSER
12	61002033	Series 10	GROMMET, CONDENSER TUBING
13	13900-1	Series 10	DRIER
14	61002038	Series 10	MOTOR, CONDENSER FAN
14	65275-33	Series 10	SCREW
15	60683-1	Series 10	BLADE, CONDENSER FAN



Refrigerador Maytag MSD2454GRW

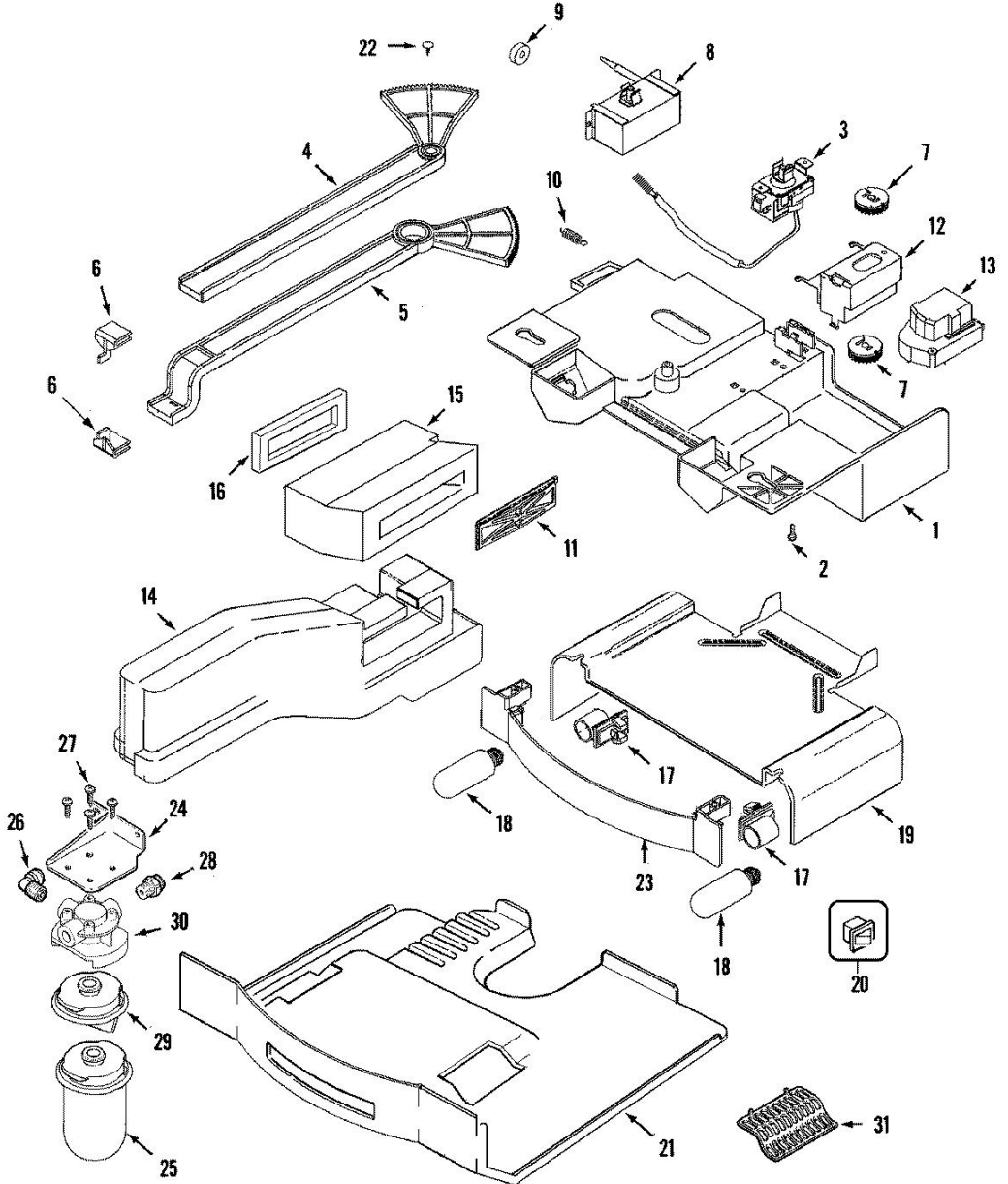
Guía	N.P.	Serie	Descripción
16	61002649	Series 10	PAN, DRAIN
17	19914	Series 10	CLIP, FAN BLADE
18	69181-1	Series 10	BRACKET, FAN MOTOR
19	61004743	Series 10	GROMMET, BRACKET
20	61004584	Series 10	ISOLATOR, CONDENSER
21	61004661	Series 10	COVER, COMPRESSOR COMPARTMENT
21	65275-50	Series 10	SCREW
22	61002407	Series 10	SCREW
22	61005268	Series 10	PAN, COMPRESSOR MTG.
23	61004063	Series 10	KICKPLATE (WHT)
24	400016-1	Series 10	SCREW
24	61005232	Series 10	WHEEL ASSY. (FRT)
25	61003826	Series 10	WHEEL (REAR)
26	61002104	Series 10	PIN, WHEEL
27	61002014	Series 10	LEG, LEVELING
28	12001547	Series 10	YODER LOOP HTR (115V)21,23,25
29	61005298	Series 10	MANUAL, USE & CARE (TRILNGUL)
30	16009103	Series 10	MANUAL, SERVICE SXS APD

Distribuidor Autorizado

SurteRápido.com

Venta de Refacciones
Electrodomesticas

Refrigerador Maytag MSD2454GRW





Refrigerador Maytag MSD2454GRW

Guía	N.P.	Serie	Descripción
1	61003228	Series 10	FOIL, HEAT SHIELD
1	61004424	Series 10	SCREW
1	61005021	Series 10	HOUSING ASSY., AUTO DAMPER
1	61005989	Series 19	HOUSING ASSY., AUTO DAMPER
2	61004314	Series 10	SCREW (No.8 AB)
3	400016-1	Series 10	SCREW
3	61005493	Series 10	CONTROL ASSY., TEMPERATURE
3	61005516	Series 14	CONTROL ASSY., TEMPERATURE
4	61003287	Series 10	ROD, DAMPER CONTROL
5	61003293	Series 10	ROD, TEMP. CONTROL
6	61004591	Series 10	END CAP, CONTROL ROD
7	61003305	Series 10	GEAR, CONTROL SLIDE
8	61003359	Series 10	SCREW
8	61005022	Series 10	DAMPER, AUTO
9	61003358	Series 10	WASHER, DAMPER ROD
10	61003141	Series 10	SPRING, DAMPER DOOR
11	61003235	Series 10	DOOR, DAMPER
12	61003315	Series 10	SUPPORT, TEMP. CONTROL
13	405007-1	Series 10	SCREW
13	61005951	Series 19	SCREW
13	68233-2	Series 10	TIMER, DEFROST
14	61003229	Series 10	INSULATION, DISCHARGE (LT)
14	61003230	Series 10	INSULATION, DISCHARGE (RT)
14	61005972	Series 19	INSULATION, DISCHARGE (RT)
15	61003231	Series 10	TUNNEL, CONTROL HOUSING
15	61005075	Series 10	SEAL, TUNNEL (DOUBLE-SIDED)
15	61005994	Series 19	TUNNEL, CONTROL HOUSING
16	61003819	Series 10	SEAL, TUNNEL



Refrigerador Maytag MSD2454GRW

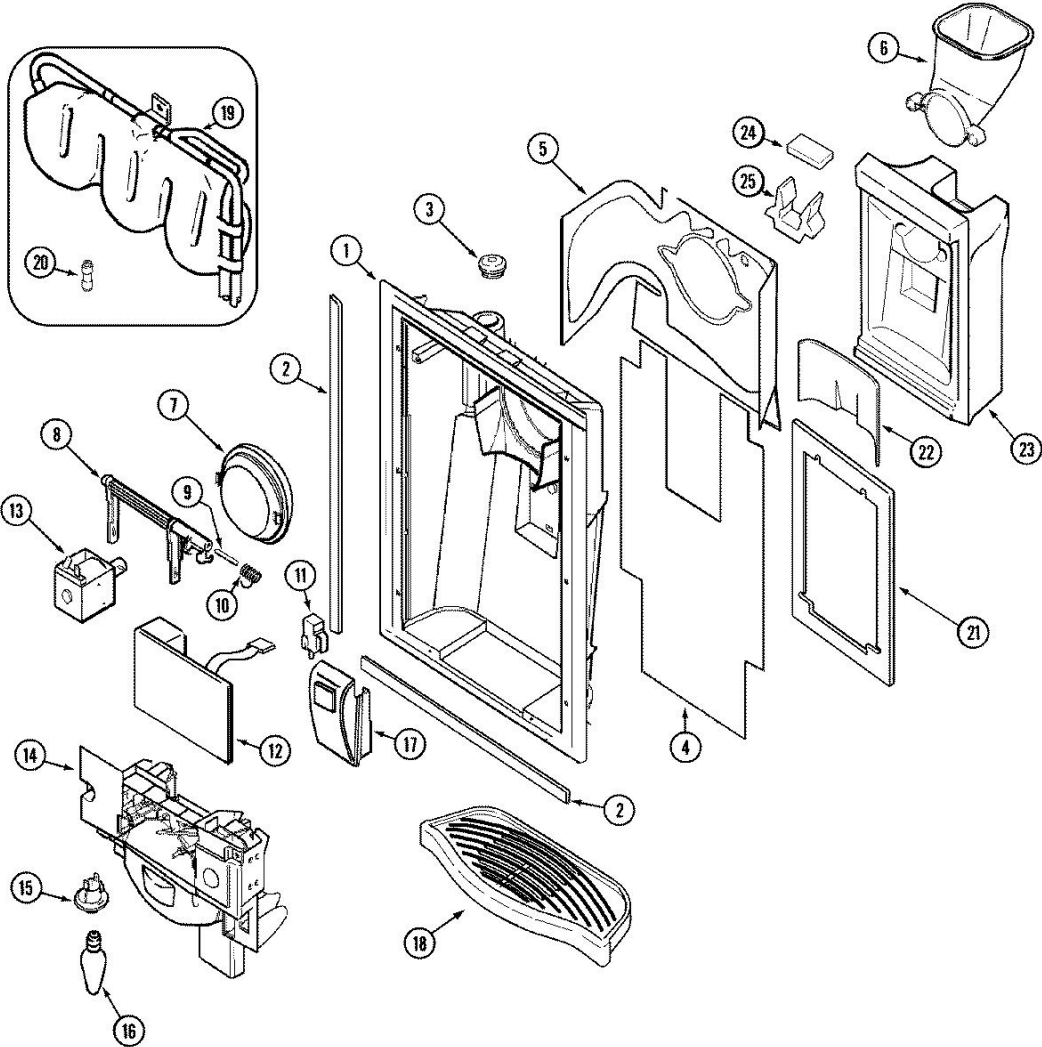
Guía	N.P.	Serie	Descripción
17	61003237	Series 10	RECEPTACLE, BULB
17	61005973	Series 19	RECEPTACLE, BULB
18	61003236	Series 10	BULB, LIGHT
18	61003354	Series 10	BARRIER, FOIL (LT)
18	61003355	Series 10	BARRIER, FOIL (RT)
18	61005974	Series 19	FOIL (RT)
18	61005975	Series 19	FOIL (LT)
19	61003238	Series 10	SHIELD, HEAT
19	61005976	Series 19	SHIELD, HEAT
20	61003661	Series 10	SWITCH, LIGHT
20	61006166	Series 23	SWITCH, LIGHT
21	61004506	Series 10	SHIELD, LIGHT
22	61003316	Series 10	RETAINER, CONTROL ROD
23	400031-1	Series 10	SCREW
23	61004380	Series 10	PANEL, CONTROL
24	61003698	Series 10	BRACKET, WATER FILTER
25	EDR7D1	Series 10	FILTER, WATER
26	61003705	Series 10	FITTING ASSY., WATER FILTER
27	61003796	Series 10	SCREW
28	61003790	Series 10	FITTING, WATER FILTER
29	61003791	Series 10	PLUG, FILTER BYPASS
30	61003789	Series 10	HEAD, WATER FILTER
31	61004590	Series 10	GRILL, LIGHT
32	61004662	Series 10	WIRE HARNESS, FRZ./F.F.
33	61004697	Series 10	WIRE HARNESS, CONTROLS
33	61005977	Series 19	WIRE HARNESS, CONTROLS

Distribuidor Autorizado

SurteRápido.com

Venta de Refacciones
Electrodomesticas

Refrigerador Maytag MSD2454GRW





Refrigerador Maytag MSD2454GRW

Guía	N.P.	Serie	Descripción
1	61003307	Series 10	SCREW
1	61004675	Series 10	HOUSING, FOUNTAIN (WHT)
2	61003286	Series 10	TAPE (1FT.)
3	61003300	Series 10	GROMMET, WATER TUBE
4	61003304	Series 10	FOIL, FTN. BACK
5	61005001	Series 10	HEATER, FOUNTAIN
6	415013-35	Series 10	SCREW
6	61004677	Series 10	CHUTE, ICE
7	12001991	Series 10	KIT, FOUNTAIN ICE DOOR (115V)
8	Y00000000	Series 10	SEE NOTE
9	61003303	Series 10	PIN, ROLL
10	61004388	Series 10	SPRING, FTN. RETURN
11	415041-35	Series 10	SCREW
11	61003124	Series 10	SWITCH, LIMIT
12	61005274	Series 10	BOARD, CONTROL
12	61005372	Series 10	BARRIER
13	61003297	Series 10	SCREW
14	61003407	Series 10	BRACKET, FOUNTAIN (WHT)
15	70119-1	Series 10	RECEPTACLE, BULB
16	63179-1	Series 10	BULB, LIGHT
17	61004441	Series 10	PAD, ACTUATOR (LT. GRY)
18	61005458	Series 10	GRILL (WHT)
19	400022-1	Series 10	SCREW
19	61003306	Series 10	TANK ASSY., WATER
20	61001614	Series 10	UNION, REDUCING (5/16``-5/16``)
21	61003339	Series 10	INSULATION
22	61003340	Series 10	INSULATION
23	61004700	Series 10	INSULATION, FTN. (STYROFOAM)



Refrigerador Maytag MSD2454GRW

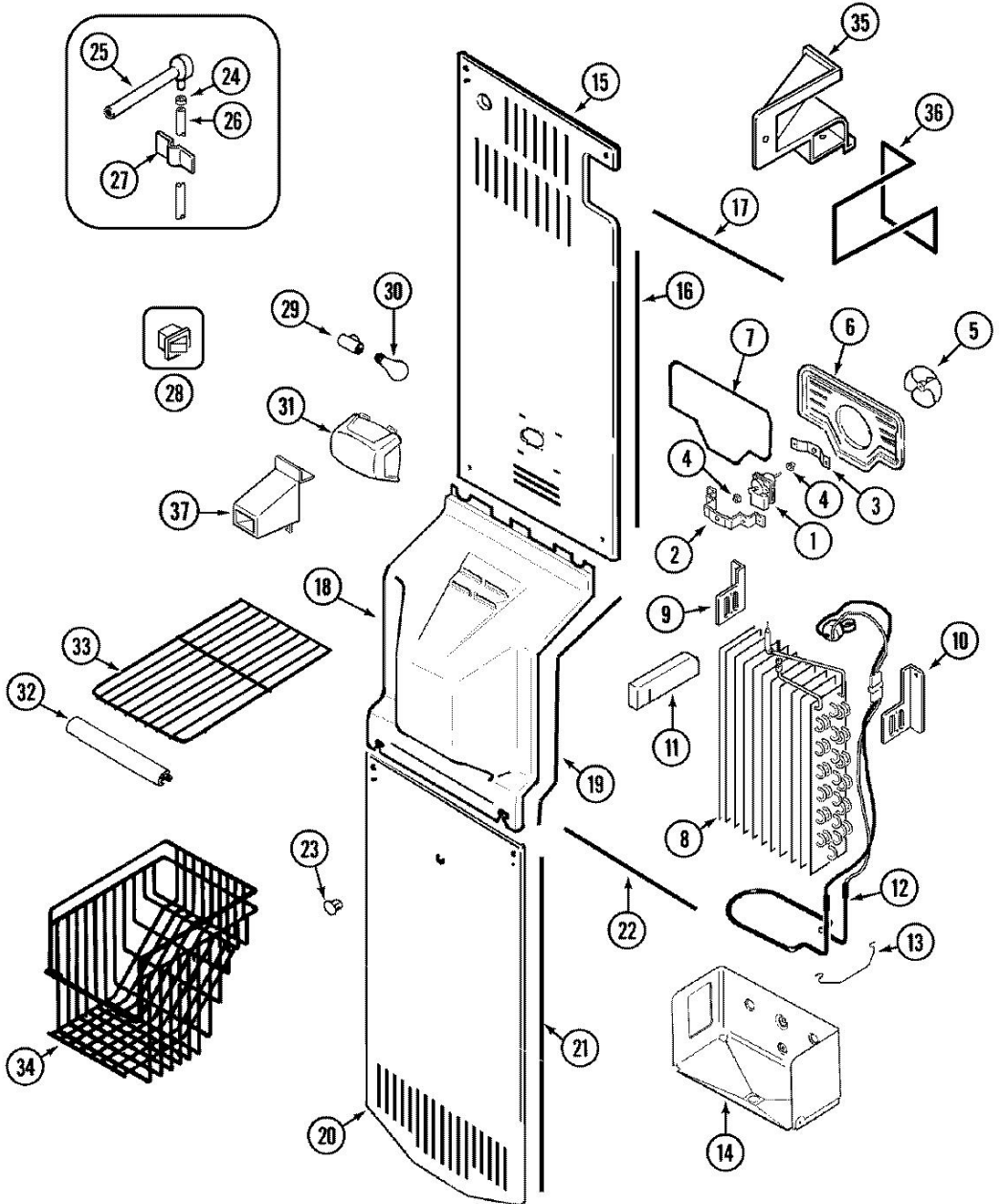
Guía	N.P.	Serie	Descripción
24	61003343	Series 10	INSULATION
25	61003308	Series 10	INSULATION
26	61005275	Series 14	WIRE HARNESS, FTN.

Distribuidor Autorizado

SurteRápido.com

Venta de Refacciones
Electrodomesticas

Refrigerador Maytag MSD2454GRW





Refrigerador Maytag MSD2454GRW

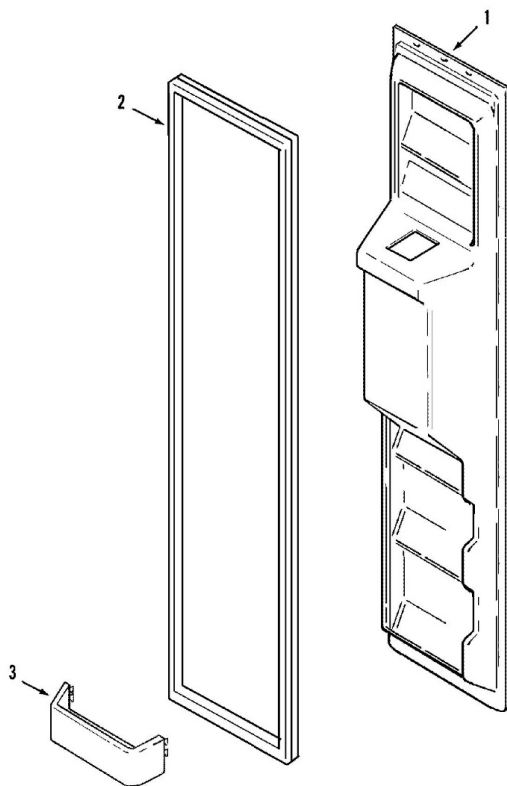
Guía	N.P.	Serie	Descripción
1	61004888	Series 10	MOTOR, EVAPORATOR FAN
2	61001930	Series 10	BRACKET, EVAPORATOR FAN
3	61002234	Series 10	RETAINER, EVAPORATOR FAN
3	61005240	Series 10	SCREW
4	61002235	Series 10	BUSHING, EVAPORATOR FAN
5	61001935	Series 10	BLADE, EVAPORATOR FAN
6	61003380	Series 10	SHROUD, FAN
7	61003381	Series 10	SEAL, FAN SHROUD
8	12001640	Series 10	EVAP/HEAT EXCH ASSY23/24/25SXS
9	61003215	Series 10	BRACKET, EVAPORATOR (LT)
10	61003216	Series 10	BRACKET, EVAPORATOR (RT)
11	61003213	Series 10	BLOCK, AIR
12	61003120	Series 10	HEATER & THERM. ASSY., DEFROST
13	61004152	Series 10	CLIP, DEFROST HEATER
14	61003382	Series 10	HOUSING, EVAPORATOR
15	61003383	Series 10	COVER, COIL (UPR)
15	61005731	Series 14	COVER, COIL (UPR)
16	61003384	Series 10	SEAL, UPPER COVER (LT)
16	61003385	Series 10	SEAL, UPPER COVER (RT)
17	61003386	Series 10	SEAL, UPPER COVER (TOP)
18	61003387	Series 10	COVER, EVAPORATOR FAN
19	61003209	Series 10	SEAL
20	61003388	Series 10	COVER, COIL (LWR)
20	61004424	Series 10	SCREW
21	61003212	Series 10	SEAL
22	61003389	Series 10	SEAL, LOWER COVER
23	61001952	Series 10	PLUG BUTTON, EVAP. COVER
24	61001161	Series 10	CLAMP, WATER LINE



Refrigerador Maytag MSD2454GRW

Guía	N.P.	Serie	Descripción
25	61005233	Series 10	GROMMET, FILL TUBE
25	61005743	Series 17	GROMMET, FILL TUBE
25	67877-1	Series 10	CLIP, FILL TUBE
26	67579-1	Series 10	TUBE, VALVE
27	61004913	Series 10	CLIP, WATER LINE (ADHESIVE)
28	61005052	Series 10	SWITCH, LIGHT
28	61006167	Series 23	SWITCH, LIGHT
29	61005748	Series 16	RECEPTACLE, BULB
29	68974-3	Series 10	RECEPTACLE, BULB
30	31956-1	Series 10	BULB, LIGHT
31	61002272	Series 10	SHIELD, LIGHT
32	61003730	Series 10	TRIM, SHELF (FRT.)
33	61003735	Series 10	SHELF, FRZ. (WIRE)
33	61005207	Series 10	SHELF, FRZ.
34	61003393	Series 10	BASKET, FRZ.
35	400017-1	Series 10	SCREW
35	61003205	Series 10	DIVERTER, AIR
36	61003206	Series 10	SEAL, AIR DIVERTER
37	12001952	Series 10	KIT, ICE MAKER AIR TUNNEL
38	61003204	Series 10	WIRE HARNESS, FAN & HEATER
38	61003731	Series 10	WIRE HARNESS, FRZ.

Refrigerador Maytag MSD2454GRW



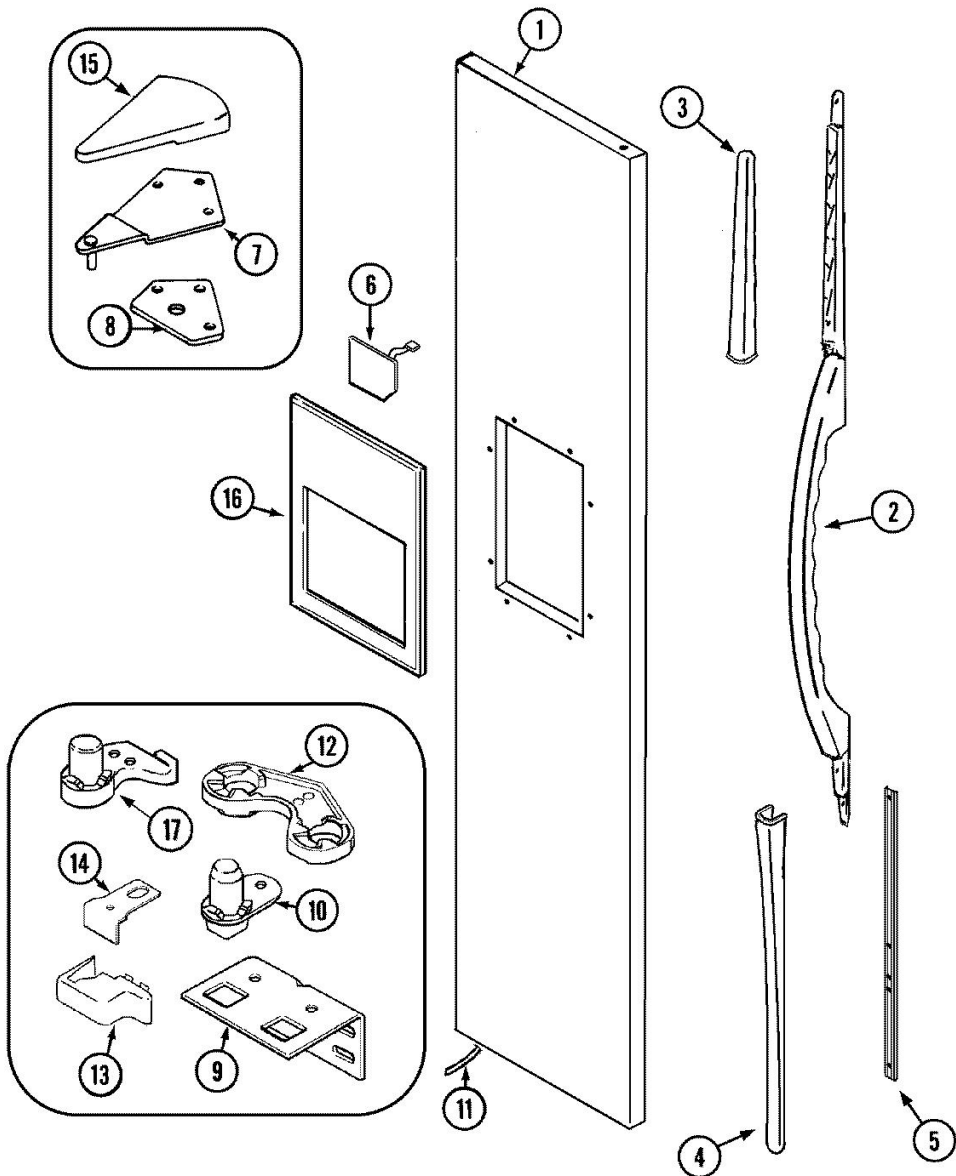
Guía	N.P.	Serie	Descripción
1	61003403	Series 10	LINER, FRZ. DOOR
1	61004049	Series 10	INSERT, LINER SUPPORT(TOP/BTM)
1	61005121	Series 10	INSERT, LINER SUPPORT (SIDES)
1	61005388	Series 10	SCREW
2	61003773	Series 10	SEAL, FRZ. DOOR (WHT)
3	61005500	Series 10	FRONT, PICK-OFF

Distribuidor Autorizado

SurteRápido.com

Venta de Refacciones
Electrodomesticas

Refrigerador Maytag MSD2454GRW

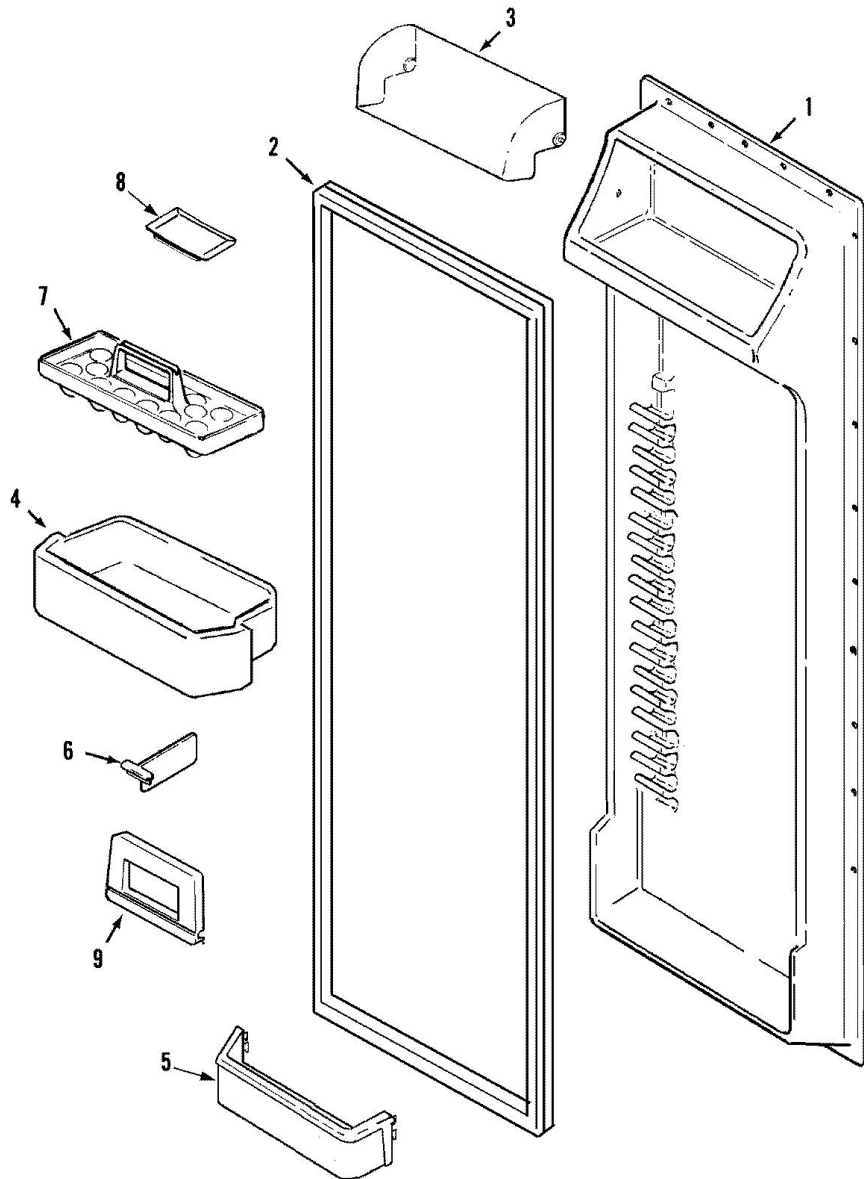




Refrigerador Maytag MSD2454GRW

Guía	N.P.	Serie	Descripción
1	61005284	Series 10	PANEL, FRZ. DOOR (WHT)
1	61005757	Series 15	PANEL, FRZ. DOOR (WHT)
2	61005442	Series 10	HANDLE, DOOR (WHT)
2	61005482	Series 10	SCREW
3	61005445	Series 10	EXTENSION, HANDLE (UPR-WHT)
4	61005494	Series 10	EXTENSION, HANDLE (LWR-WHT)
5	61005394	Series 10	SCREW
5	61005496	Series 10	CLEAT, HANDLE EXTENSION
6	61003422	Series 10	SCREW
6	61005277	Series 10	BOARD, FTN. SWITCH
7	61004763	Series 10	SCREW
7	61004896	Series 10	HINGE, UPPER
8	61001922	Series 10	SHIM, UPPER HINGE
9	61001918	Series 10	HINGE, LOWER (WHT)
9	61003128	Series 10	SCREW
10	61003174	Series 10	PIN, LOWER HINGE
11	61001614	Series 10	UNION, REDUCING (5/16``-5/16``)
11	61004557	Series 10	TUBING, FOUNTAIN
12	61003647	Series 10	CLOSER, DOOR (NATURAL)
13	61003219	Series 10	COVER, LOWER HINGE (WHT)
14	61003273	Series 10	STOP, DOOR
15	61004641	Series 10	SCREW, COVER
15	61004642	Series 10	COVER, UPPER HINGE (WHT)
16	415013-35	Series 10	SCREW
16	61005498	Series 10	ESCUTCHEON (WHT)
17	61002180	Series 10	SCREW
17	61005726	Series 15	CLOSER, DOOR (W/CUP)

Refrigerador Maytag MSD2454GRW

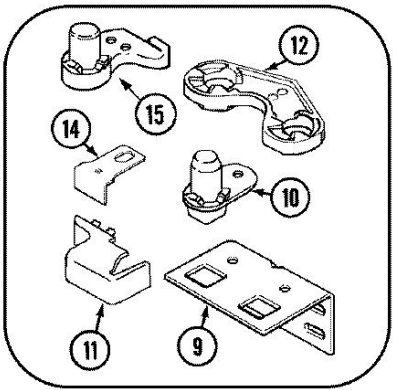
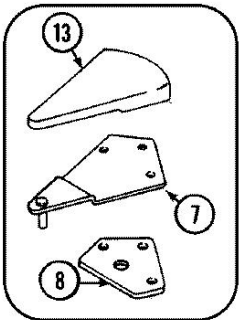
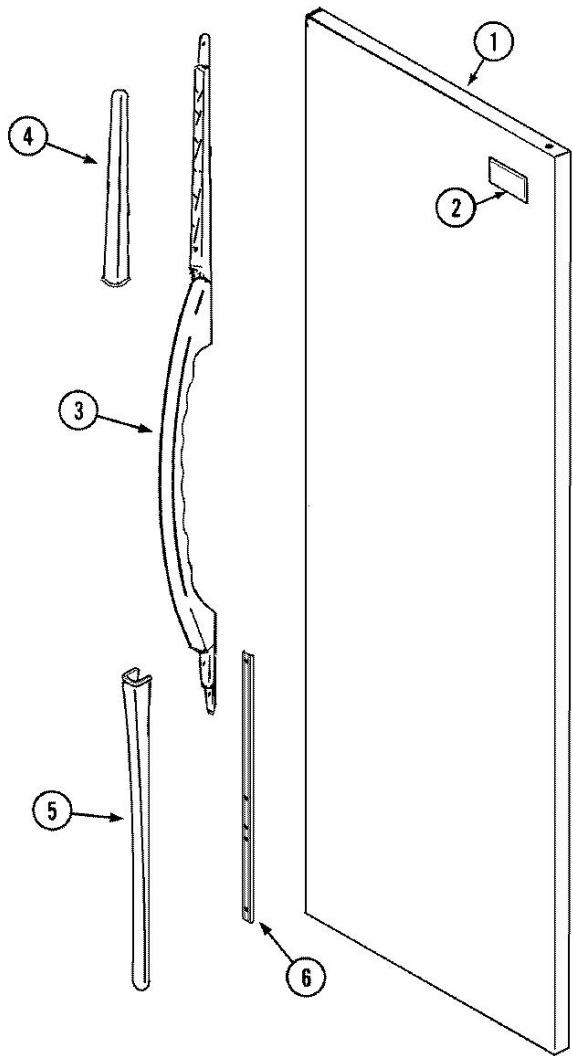




Refrigerador Maytag MSD2454GRW

Guía	N.P.	Serie	Descripción
1	61004046	Series 10	INSERT, LINER SUPPORT (SIDES)
1	61004047	Series 10	INSERT, LINER SUPPORT(TOP/BTM)
1	61005388	Series 10	SCREW
1	61005411	Series 10	LINER, F.F. DOOR
2	61003755	Series 10	SEAL, F.F. DOOR (WHT)
3	61003365	Series 10	DOOR, DAIRY
4	61005360	Series 10	SHELF, PICK-OFF
5	61005497	Series 10	FRONT, PICK-OFF
6	61002274	Series 10	ORGANIZER, SHELF
7	60066-1	Series 10	TRAY, EGG
8	29936-2	Series 10	TRAY, BUTTER
9	61002273	Series 10	RETAINER, BOTTLE

Refrigerador Maytag MSD2454GRW





Refrigerador Maytag MSD2454GRW

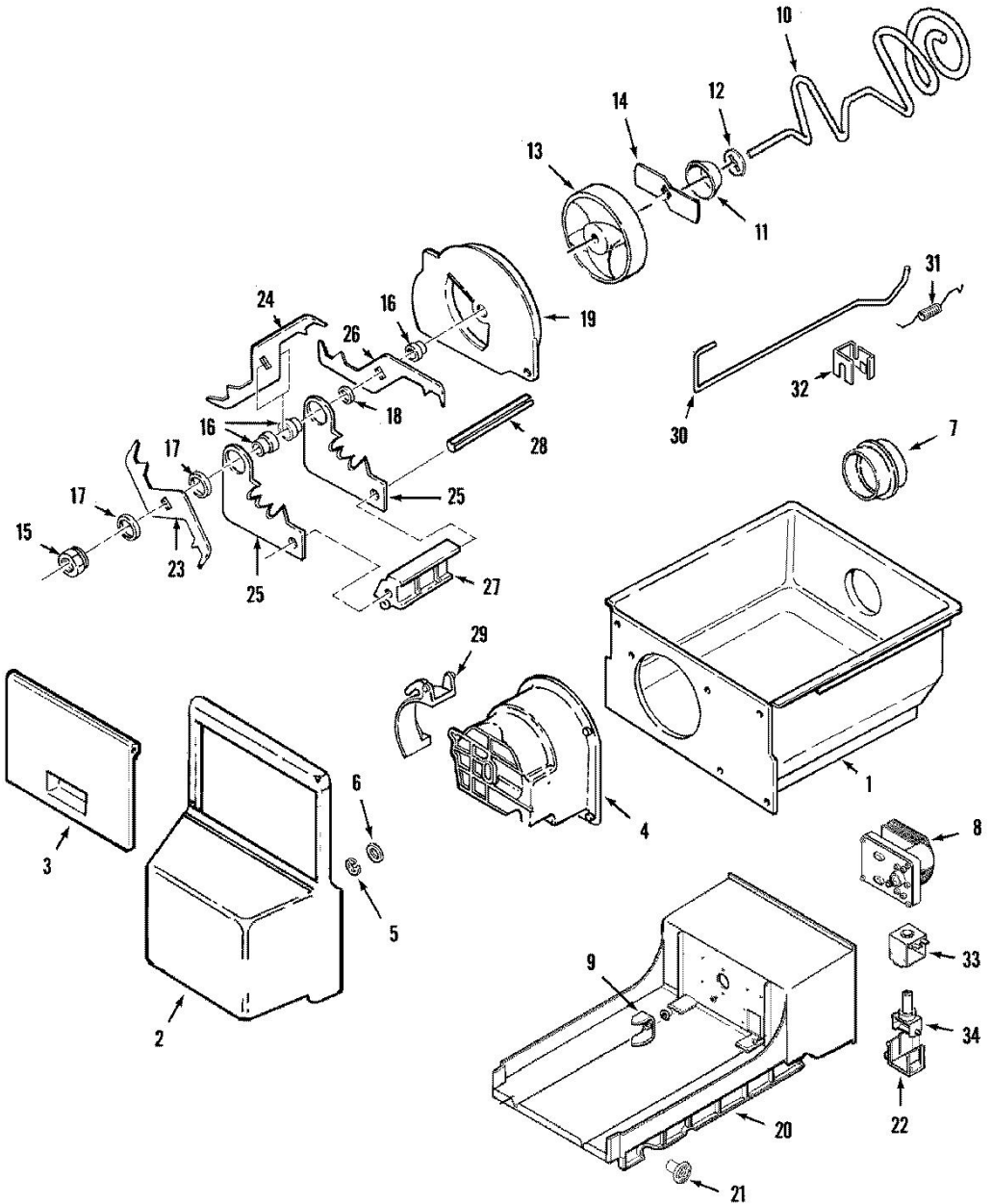
Guía	N.P.	Serie	Descripción
1	61004539	Series 10	PANEL, F.F. DOOR (WHT)
1	61005707	Series 10	LABEL, DUAL ENERGY GUIDE
1	61005791	Series 15	PANEL, F.F. DOOR (WHT)
2	61002164	Series 10	NAMEPLATE (WHT)
3	61005442	Series 10	HANDLE, DOOR (WHT)
3	61005482	Series 10	SCREW
4	61005445	Series 10	EXTENSION, HANDLE (UPR-WHT)
5	61005494	Series 10	EXTENSION, HANDLE (LWR-WHT)
6	61005394	Series 10	SCREW
6	61005496	Series 10	CLEAT, HANDLE EXTENSION
7	61004763	Series 10	SCREW
7	61004896	Series 10	HINGE, UPPER
8	61001922	Series 10	SHIM, UPPER HINGE
9	61001918	Series 10	HINGE, LOWER (WHT)
9	61003128	Series 10	SCREW
10	61003174	Series 10	PIN, LOWER HINGE
11	61003220	Series 10	COVER, LOWER HINGE (WHT)
12	61003647	Series 10	CLOSER, DOOR (NATURAL)
13	61004640	Series 10	COVER, UPPER HINGE (WHT)
14	61003273	Series 10	STOP, DOOR
15	61002180	Series 15	SCREW
15	61005724	Series 15	CLOSER, DOOR (W/CUP)

Distribuidor Autorizado

SurteRápido.com

Venta de Refacciones
Electrodomesticas

Refrigerador Maytag MSD2454GRW





Refrigerador Maytag MSD2454GRW

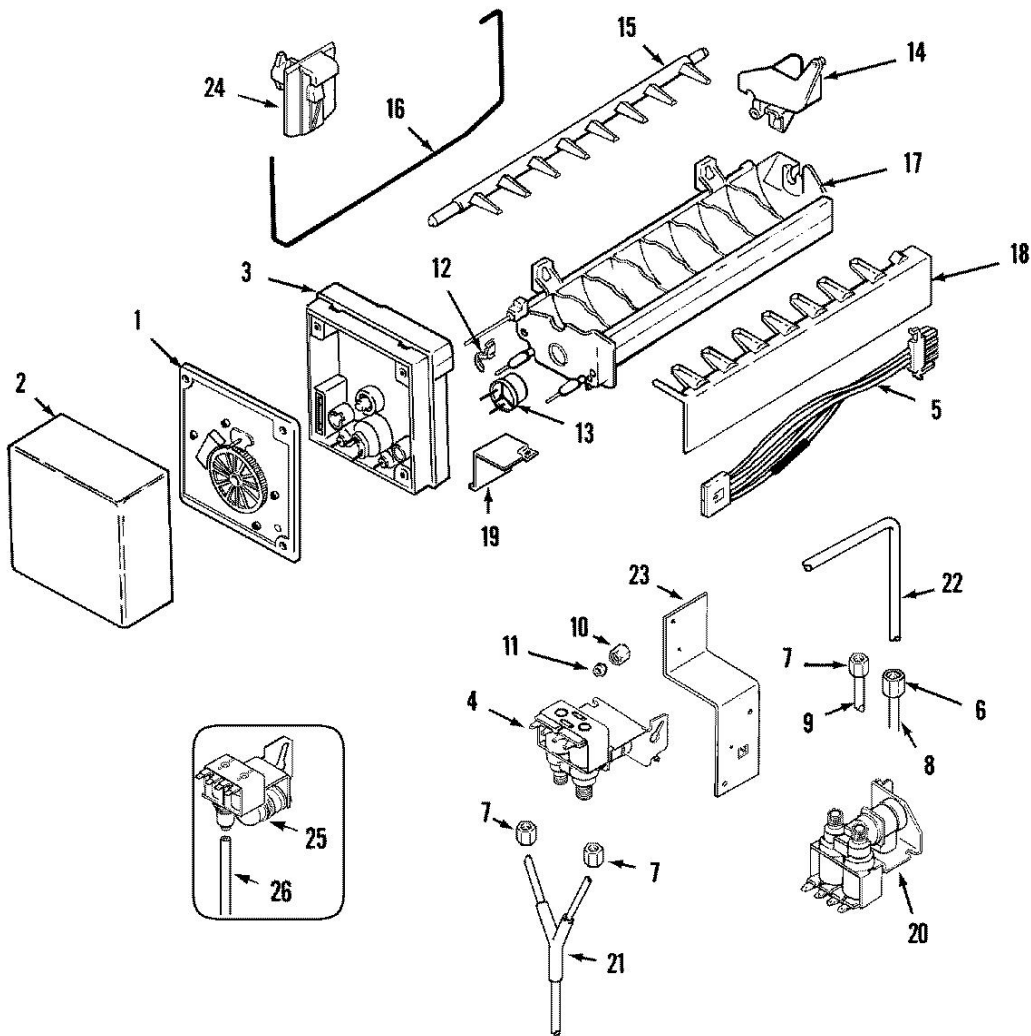
Guía	N.P.	Serie	Descripción
1	61004802	Series 10	BIN, ICE
2	61004803	Series 10	FRONT, ICE BIN
3	61004300	Series 10	DOOR, ICE ACCESS
4	415013-35	Series 10	SCREW
4	61004804	Series 10	HOUSING, CRUSHER
4	61004869	Series 10	SEAL
5	69704-1	Series 10	RING, SNAP
6	69703-1	Series 10	WASHER, RETAINER
7	61003336	Series 10	RING, DRIVE
8	12001773	Series 10	ASSY., AUGER MOTOR/YOKE
8	61003324	Series 10	SCREW
8	61005281	Series 10	WIRE HARNESS, AUGER MOTOR
9	63052-1	Series 10	YOKE, ICE DISPENSER
10	61003326	Series 10	AUGER
11	69699-1	Series 10	CONE, ICE DEFLECTOR
12	69698-1	Series 10	WASHER, CONE STOP
13	70036-1	Series 10	IMPELLER
14	69755-1	Series 10	PLATE, DRIVE
15	69709-1	Series 10	NUT, AUGER
16	69697-1	Series 10	BEARING, SPACER
17	69696-1	Series 10	SPACER, CRUSHER BLADE
18	69696-2	Series 10	SPACER, BLADE
19	69701-1	Series 10	PLATE, IMPELLER
20	61004846	Series 10	ENCLOSURE, ICE
21	400022-1	Series 10	SCREW
21	61005080	Series 10	SUPPORT, ENCLOSURE
22	400026-12	Series 10	SCREW
22	69715-1	Series 10	GUIDE, YOKE



Refrigerador Maytag MSD2454GRW

Guía	N.P.	Serie	Descripción
23	69702-3	Series 10	BLADE, CRUSHER
24	69702-2	Series 10	BLADE, CRUSHER
25	69706-1	Series 10	BLADE, CRUSHER
26	69702-1	Series 10	BLADE, CRUSHER
27	69708-1	Series 10	LOCK, FIXED BLADE
28	69705-1	Series 10	PIN, BLADE LOCK
29	69718-1	Series 10	DOOR, ICE CRUSHER
30	61004807	Series 10	ROD, CRUSHER CONTROL
31	61004808	Series 10	SPRING, CONTROL ROD
32	61004809	Series 10	BRACKET, CONTROL ROD
33	61003118	Series 10	SOLENOID
34	61003539	Series 10	YOKE ASSY.

Refrigerador Maytag MSD2454GRW





Refrigerador Maytag MSD2454GRW

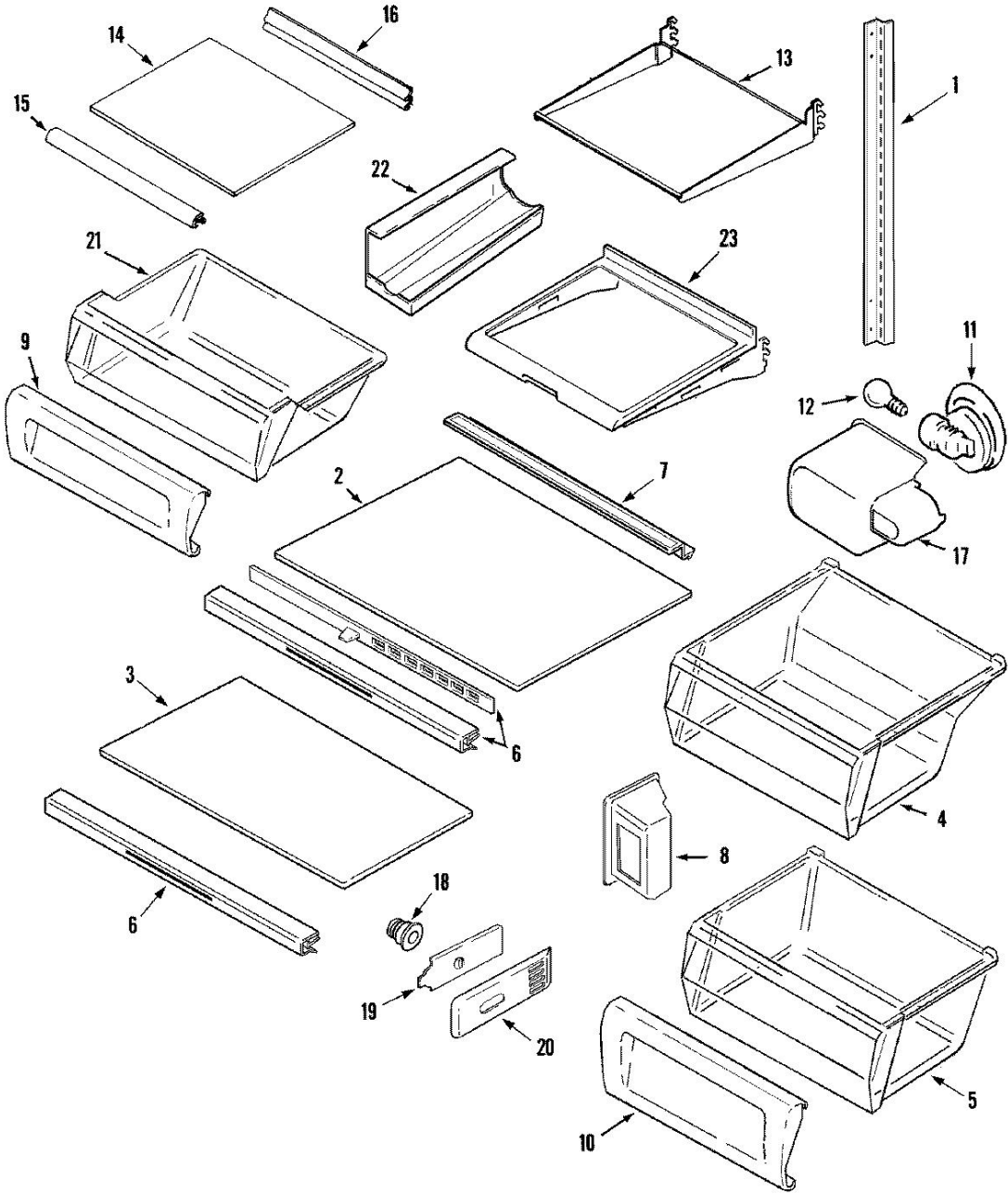
Guía	N.P.	Serie	Descripción
1	400017-1	Series 10	SCREW
1	95109-1	Series 10	MODULE, ICE MAKER
2	61005374	Series 10	COVER, ICE MAKER
3	95103-1	Series 10	SUPPORT, MODULE HOUSING
3	95106-1	Series 10	SCREW
4	61001885	Series 10	SCREW
4	61003783	Series 10	VALVE, WATER (FILTER)
5	61005276	Series 10	WIRE HARNESS, ICE MAKER
6	69583-2	Series 10	NUT, COMPRESSION (5/16``)
7	69583-1	Series 10	NUT, COMPRESSION (1/4``)
8	Y00000000	Series 10	SEE NOTE
9	67579-1	Series 10	TUBE, VALVE
10	69432-1	Series 10	NUT, BRASS (1/4``)
11	69431-1	Series 10	SLEEVE, BRASS
12	95104-1	Series 10	RETAINER, THERMOSTAT
13	95092-1	Series 10	THERMOSTAT
13	95093-1	Series 10	CEMENT, ALUMILASTIC (4 OZ.)
14	95100-1	Series 10	INLET, WATER
15	95101-1	Series 10	EJECTOR, ICE
16	61004136	Series 10	ARM, SENSOR
17	95098-1	Series 10	MOLD & HEATER ASSY.
18	95102-1	Series 10	STRIPPER, ICE
19	95107-1	Series 10	BRACKET, MODULE & HEATER
19	95108-1	Series 10	SCREW, BRACKET
20	61004823	Series 10	VALVE, WATER (ICE MAKER)
20	61005626	Series 13	VALVE, WATER (ICE MAKER)
21	61001161	Series 10	CLAMP, WATER LINE
21	61003810	Series 10	GROMMET ASSY., WATER LINE



Refrigerador Maytag MSD2454GRW

Guía	N.P.	Serie	Descripción
21	61005058	Series 10	CLIP, WATER LINE (ADHESIVE)
22	61004511	Series 10	GROMMET ASSY., WATER LINE
22	61005641	Series 13	GROMMET ASSY., WATER LINE
23	61002819	Series 10	SCREW
23	61003732	Series 10	BRACKET, WATER VALVE
24	61005028	Series 10	SUPPORT, ICE MAKER
25	61005627	Series 13	VALVE, WATER (FILTER)
26	61005640	Series 13	GROMMET ASSY., WATER LINE

Refrigerador Maytag MSD2454GRW





Refrigerador Maytag MSD2454GRW

Guía	N.P.	Serie	Descripción
1	61003240	Series 10	RAIL, SHELF SUPPORT
2	61003337	Series 10	GLASS, CRISPER SHELF
3	61003157	Series 10	GLASS, MEAT SHELF
4	61003338	Series 10	PAN, CRISPER
4	61006110	Series 22	PAN, CRISPER
5	61003356	Series 10	PAN, MEAT
5	61006111	Series 22	PAN, MEAT
6	61003162	Series 10	TRIM
6	61003357	Series 10	TRIM, CRISPER SHELF (W/SLIDE)
7	61003161	Series 10	SEAL, CRISPER SHELF (REAR)
8	61004287	Series 10	COVER ASSY., AIR RETURN
9	61003376	Series 10	FRONT, DELI PAN
10	61003377	Series 10	FRONT, CRISPER PAN
10	61003378	Series 10	FRONT, MEAT PAN
11	61003379	Series 10	RECEPTACLE, BULB
12	61001787	Series 10	BULB, LIGHT
13	61003373	Series 10	FRAME, SHELF
14	61003374	Series 10	GLASS, SHELF
15	61003245	Series 10	TRIM, SHELF
16	61003244	Series 10	TRIM, SHELF
17	61003439	Series 10	SHIELD, LIGHT
19	61003249	Series 10	SLIDE, CONTROL (MEAT)
20	61003250	Series 10	RETAINER, CONTROL SLIDE
21	61003375	Series 10	PAN, DELI
21	61006112	Series 22	PAN, DELI
22	61002657	Series 10	HOLDER, BEVERAGE
23	61003239	Series 10	SHELF, SPILL PROOF