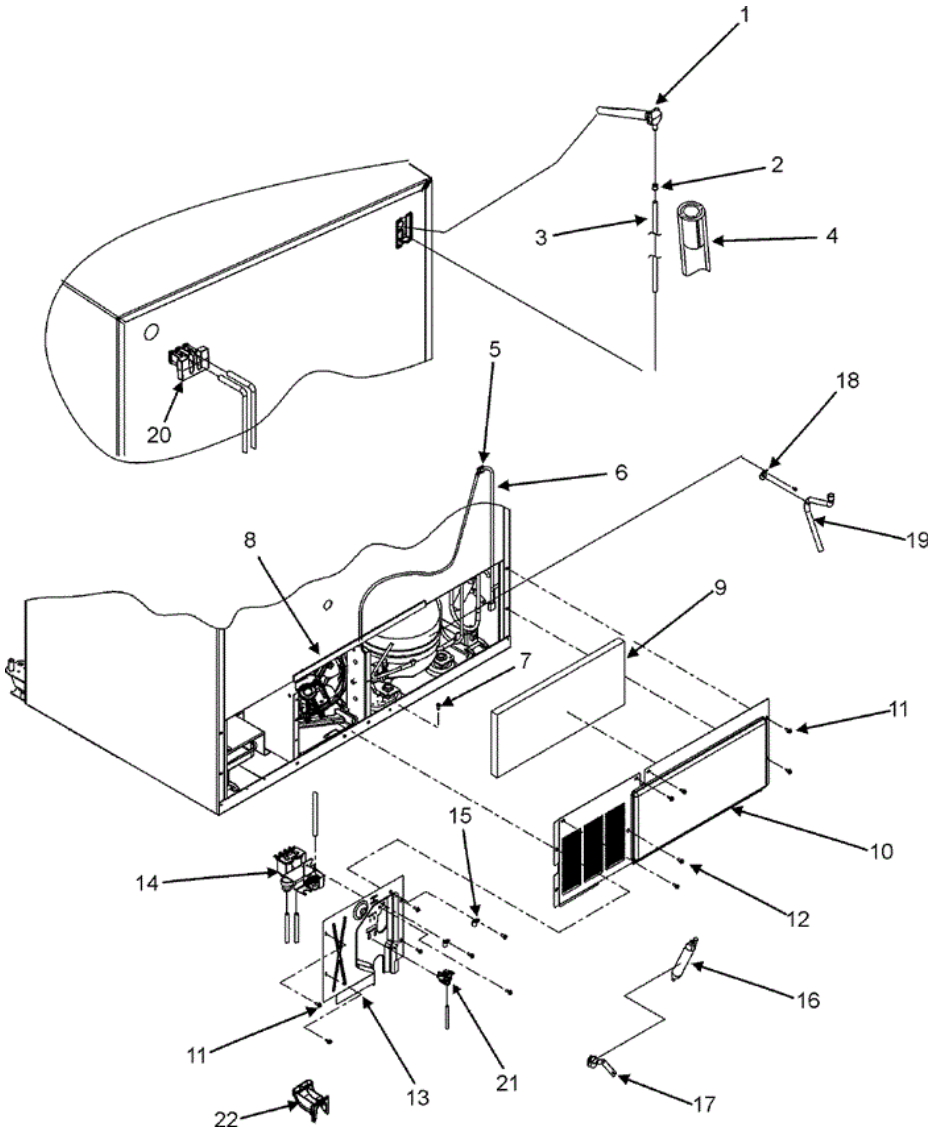


MSD2650HEW CABINET





MSD2650HEW CABINET

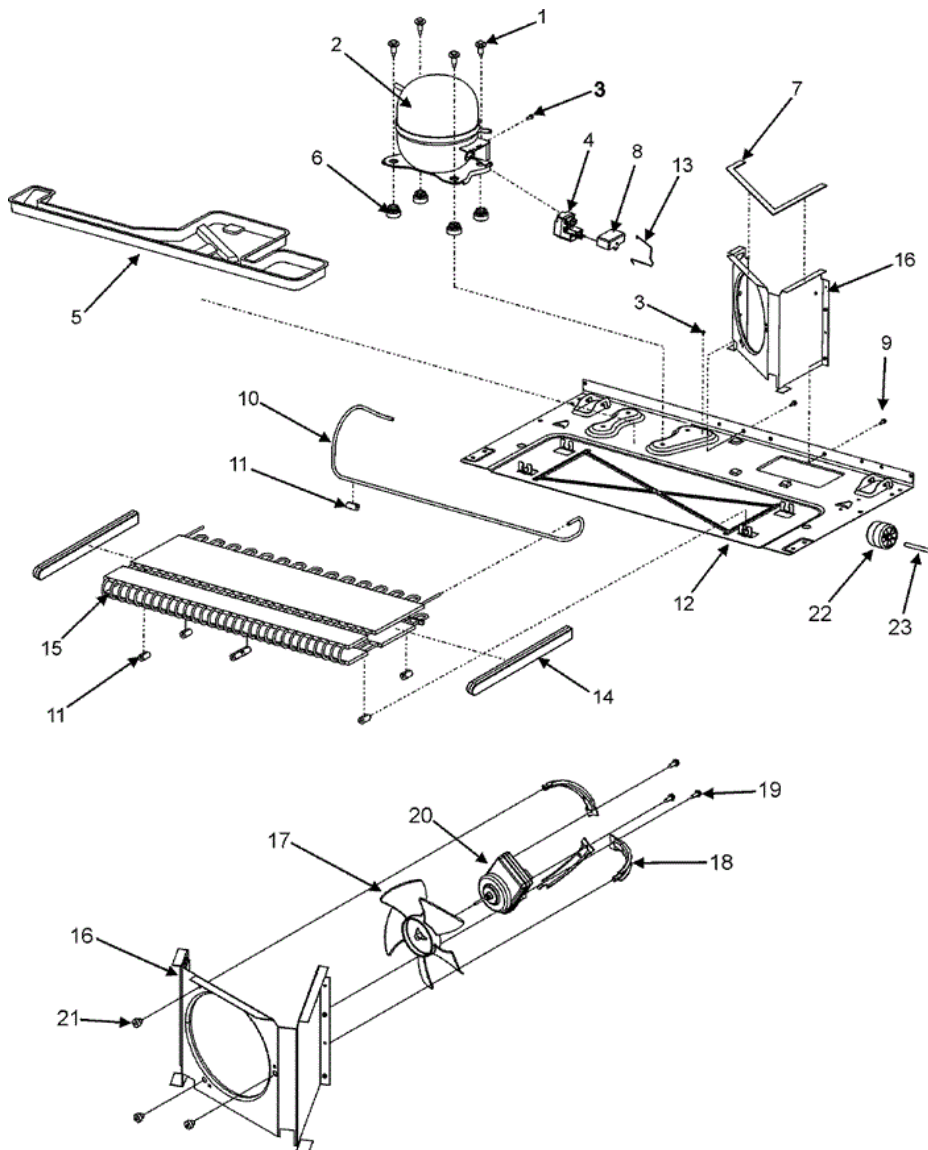
1	67003576	50	ELBOW, FILL TUBE
2	M0114003	50	CLIP, SPEED
3	67003360	50	TUBE, PLASTIC
4	A3223101	50	INSERT, PLASTIC TUBE
5	M0104106	50	CLIP
6	12583301	50	CORD, POWER
7	M0239216	50	SCREW, CA
8	B5759649	50	GASKET, MC BACK
9	67003796	50	FIBER, ACOUSTIC
10	12575101ED	50	BACK, MACH COMP
11	M0238616	50	SCREW, SM
12	M0251015	50	SCREW
13	67004098	50	COVER, WATER VALVE
14	67003818	50	VALVE, DUAL WATER
14	M0251015	50	SCREW
15	M0108105	50	CLAMP, TUBE
16	B2150504	50	DRIER
17	10547002	50	CLIP, DRIER
17	67002999	50	SCREW, SM
18	M0102303	50	CLAMP
18	M0220617	50	SCREW
19	12580401	50	TUBE, DRAIN
20	67004092	50	BLOCK, FILTER
21	67004100	50	CLIP, WATERLINE
22	67004101	50	SWEEP, DUAL TUBE
23	67004102	50	TRACK, WATERLINE

Distribuidor Autorizado

SurteRápido.com

Venta de Refacciones
Electrodomesticas

MSD2650HEW COMPRESSOR

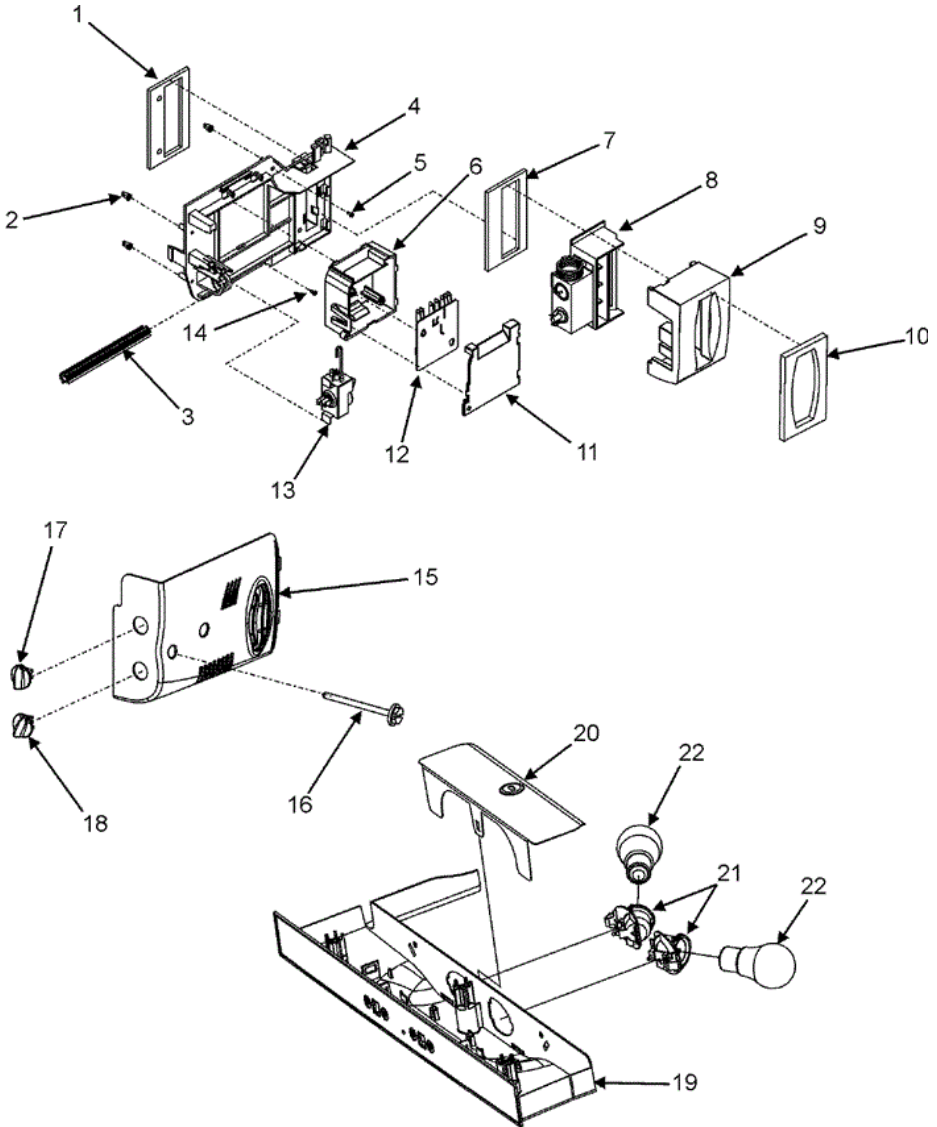




MSD2650HEW COMPRESSOR

1	M0221523	50	SCREW, SHLDR
2	67002782	50	COMPRESSOR, TPG1380YXA (SXS)
3	M0231604	50	SCREW, TF
4	67003764	50	OVERLOAD/RELAY W/CAPACITOR
5	67004848	50	PAN, DRAIN
6	67003493	50	GROMMET, COMPRESSOR
7	61003210	50	SEAL
8	C8931612	50	CAPACITOR
9	M0238616	50	SCREW, SM
10	67004700	50	TUBE, DISCHARGE
11	12578601	50	GROMMET, CONDENSER
12	67001512	50	PAN, BASE
13	12576801	50	STRAP, BALE
14	67002235	50	BLOCK-EPS COND
15	67004682	50	CONDENSER X
16	67001090	50	SHROUD, CONDENSER FAN
17	67004952	50	BLADE, COND FAN
18	67004953	50	BRACKET, COND MOTOR
19	67004954	50	SCREW
20	67004432	50	MOTOR, CONDENSER FAN
21	61004743	50	GROMMET, BRACKET
22	67005149	50	ROLLER
23	67001095	50	AXLE, ROLLER
24	67004955	50	HARNESS, MC

MSD2650HEW CONTROLS

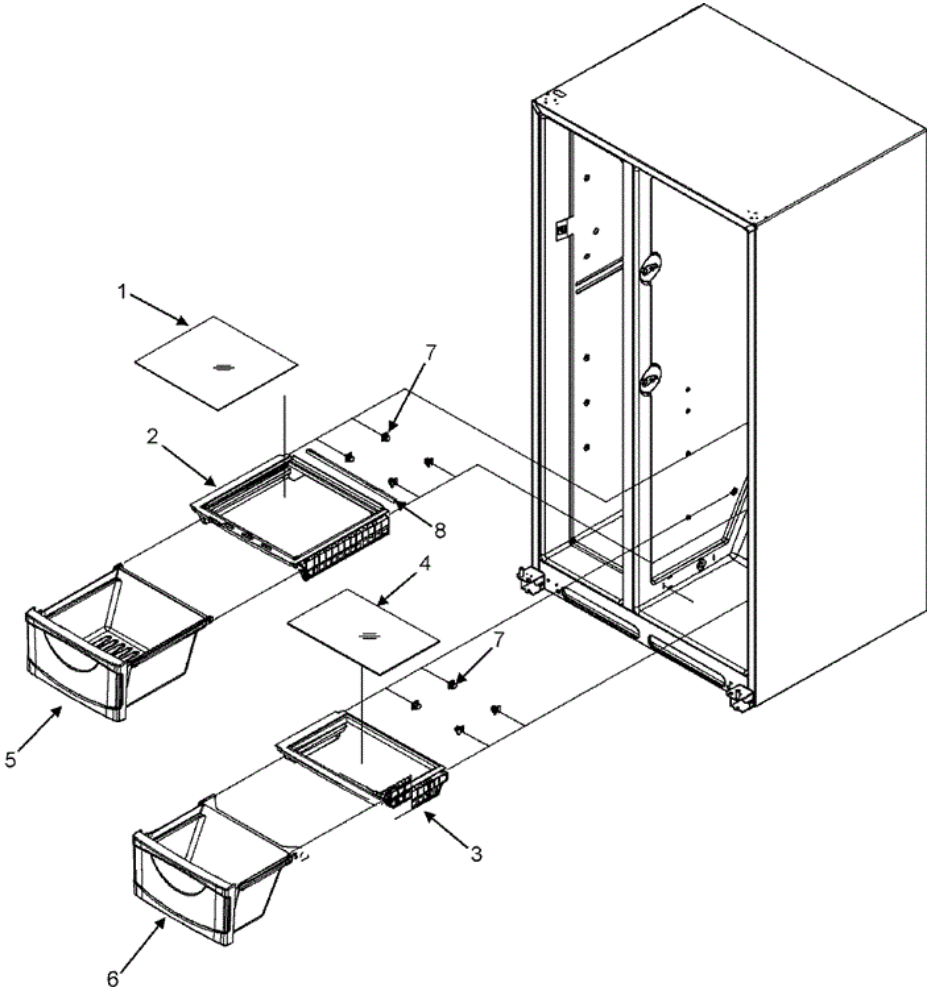




MSD2650HEW CONTROLS

1	67004031	50	GASKET, DAMPER
2	M0580205	50	GROMMET, SCREW
3	12571801	50	EXTENSION, KNOB
4	67002981	50	BRACKET, CONTROL
5	M0216539	50	SCREW
6	12624801	50	BOX, DEFROST CONTROL
7	12582801	50	GASKET, DAMPER
8	12571701	50	CONTROL, DAMPER
9	12604201	50	INSULATION, DAMPER
10	12582901	50	GASKET, CONTROL COVER
11	12624901	50	COVER, DEFROST CONTROL
12	67003375	50	BOARD, ADAPTIVE DEFROST
13	67003815	50	CONTROL, FZ TEMP
14	M0211018	50	SCREW, SM
15	67004918	50	COVER, CONTROL
16	M0231426	50	SCREW
17	12581101	50	KNOB, CONTROL
18	12581102	50	KNOB, CONTROL
19	67004240	50	HOUSING, FZ CONTROL
19	M0238636	50	SCREW-SM
20	67004157	50	REFLECTOR, LIGHT
21	Y12570701	50	SOCKET, LIGHT
22	67003568	50	BULB, LIGHT (40 WATT)
23	67004154	50	HARNESS, CONTROL

MSD2650HEW CRISPER

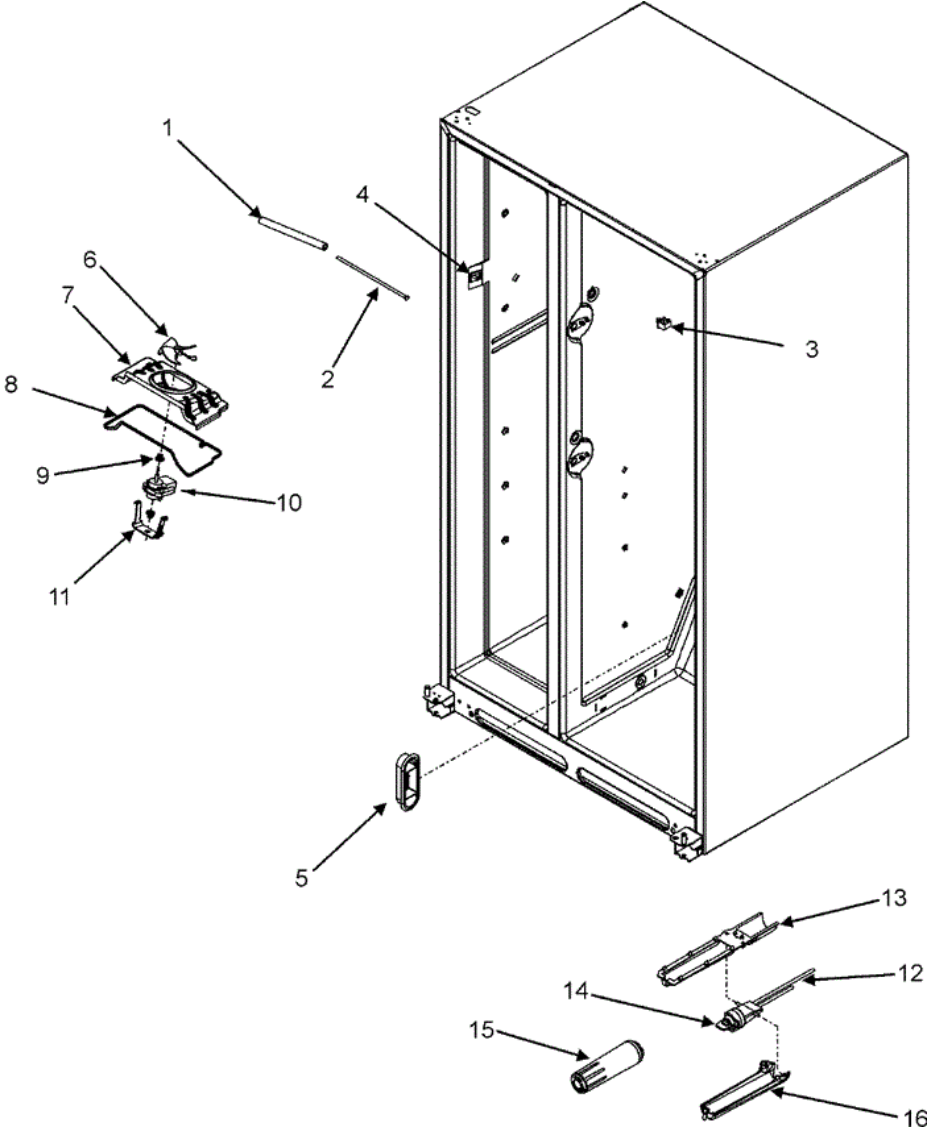




MSD2650HEW CRISPER

1	67004246	50	GLASS, CRISPER SHELF
2	67004352	50	FRAME, LG CRISPER SHELF
3	67004247	50	FRAME, MEAT SHELF
4	67004132	50	GLASS, MEAT SHELF
5	67005803	50	PAN, LG CRISPER
6	67005804	50	PAN, MEAT
7	12603701	50	SUPPORT, CRISPER FRAME
8	67004249	50	SEAL, CRISPER FRAME (REAR)

MSD2650HEW EVAP FAN/ WATER

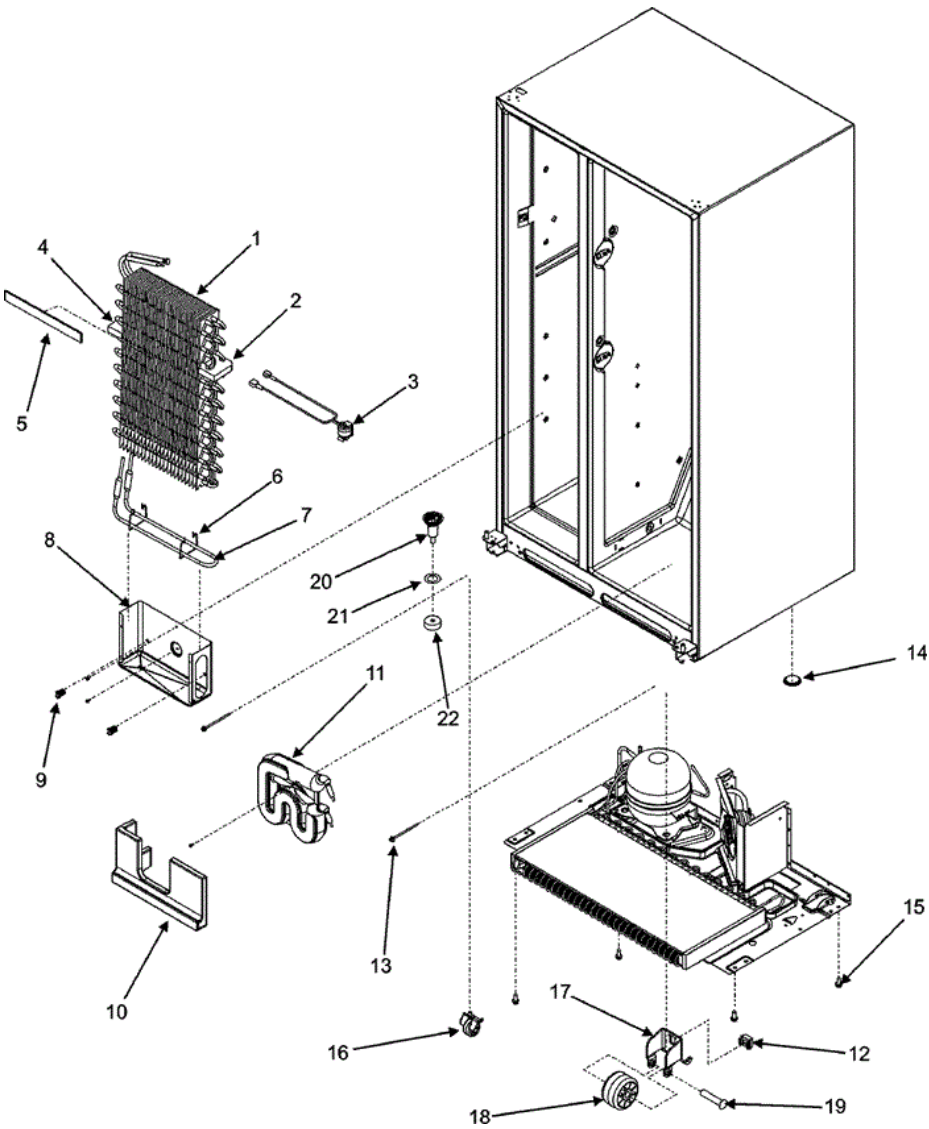




MSD2650HEW EVAP FAN/ WATER

1	67004185	50	INSULATION, TUBING
2	67004186	50	TUBE, PLASTIC
3	12466104	50	SWITCH, REF LIGHT
4	12466103	50	SWITCH, LIGHT
5	12634801	50	GRILLE, RETURN AIR
6	12217201	50	FAN, EVAPORATOR
7	67004253	50	SHROUD, EVAP
8	67001508	50	GASKET
9	67002780	50	GROMMET, FAN MOTOR
10	67003636	50	MOTOR, EVAP FAN
11	67003083	50	CLIP
12	67004106	50	HEAD, WATER FILTER (W/TUBING)
13	12688503	50	PLATE, FILTER BACKING
14	67003146	50	PLUG, BYPASS
15	67003591	50	FILTER, WATER SINGLE
16	12568001	50	COVER, FILTER

MSD2650HEW EVAPORATOR

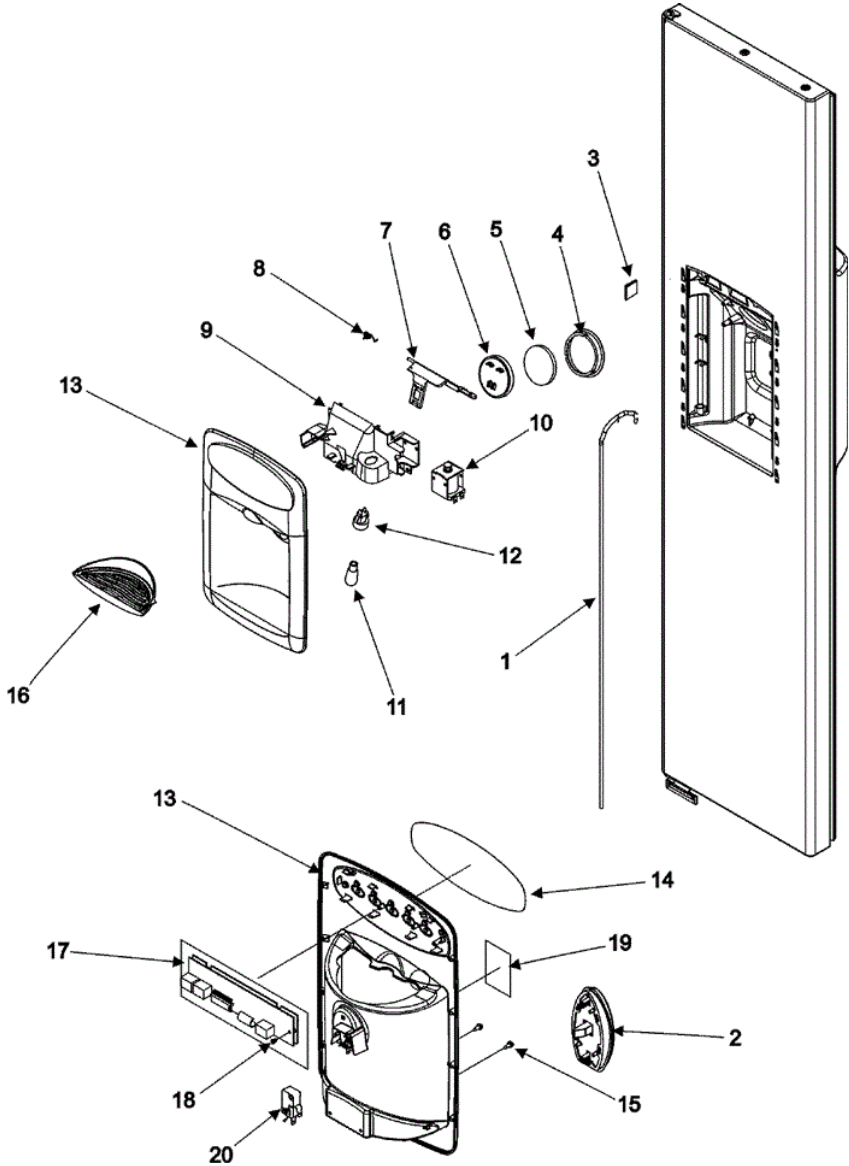




MSD2650HEW EVAPORATOR

1	12001940	50	EVAP KIT (SXS)
2	12590102	50	BLOCK, AIR COIL (RT)
3	67003964	50	THERMOSTAT, DEFROST
4	12590101	50	BLOCK, AIR COIL (LT)
5	67002226	50	GASKET, FOAM
6	10428101	50	CLIP, EVAP HEATER
7	67004188	50	HEATER, EVAP
8	12558101WD	50	TRAY, EVAP DRIP
8	M0224416	50	SCREW, SM
9	10623003	50	CLIP, EVAPORATOR
10	67004309	50	BLOCK, WATER TANK
11	67003504	50	TANK, WATER
11	M0211018	50	SCREW, SM
12	M0286708	50	NUT, SPEED
13	12606102	50	BOLT, ROLLER ADJ
14	A3076901	50	PLUG, BUTTON
15	67001510	50	SCREW
16	67002227	50	ROLLER BRACKET ASSY
17	12456801	50	BRACKET, ROLLER
18	67005127	50	ROLLER
19	M1205302	50	RIVET
20	12456901	50	FUNNEL, DRAIN
21	M0500703	50	SEAL, O RING
22	B8381501	50	GASKET, DRAIN TUBE
23	67005215	50	HEATER/HARNESS, FRZ.

MSD2650HEW FOUNTAIN

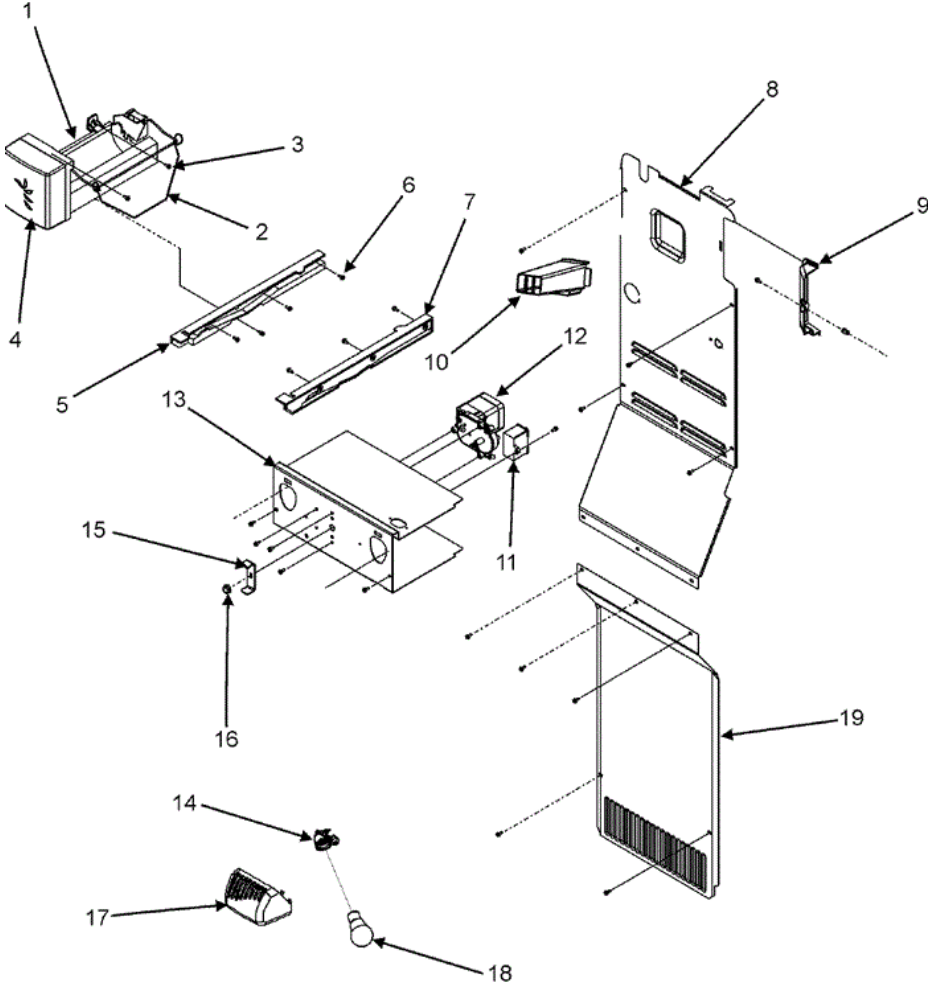




MSD2650HEW FOUNTAIN

1	67004118	50	WATERLINE ASSY.
1	M0108105	50	CLAMP, TUBE
2	12598902S	50	ACTR PAD FRAME ASSY. (STNLS)
3	M0104102	50	CLIP, CORD
4	12665101	50	SEAL, ICE CHUTE
5	12563401	50	INSUL, CHUTE DOORXX
6	12562701	50	DOOR, ICE CHUTE
7	67004119	50	HINGE, ICE CHUTE
8	12565502	50	SPRING, CHUTE DR
9	67004120	50	EXTENSION, ICE CHUTE
9	M0238642	50	SCREW, SM
10	12575401	50	SOLENOID
10	M0200314	50	SCREW, MACH
11	67001316	50	BULB, LIGHT
12	12617501	50	SOCKET, LIGHT
13	67004399	50	FACADE, 5 BUTTON (WHT)
14	67005800	50	INSERT, FACADE (WHT)
15	M0223230	50	SCREW, MOUNTING
16	67004123	50	TRAY, SUMP (WHT)
17	67004258	50	BOARD, CONTROL
18	M0237902	50	SCREW, HI/LO
19	67003351	50	LABEL, DISPENSER
20	12575501	50	SWITCH, LIMIT

**MSD2650HEW FREEZER
COMPARTMENT**

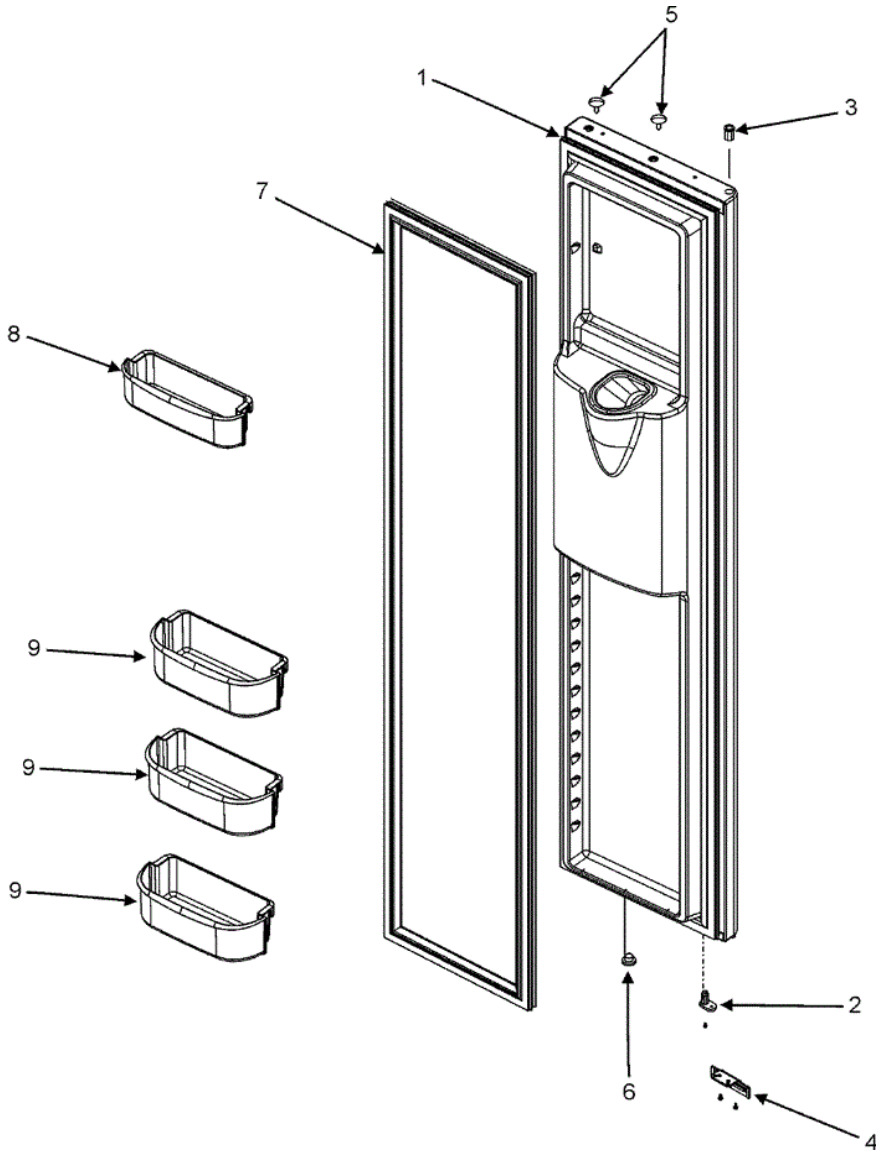




MSD2650HEW FREEZER COMPARTMENT

1	61005508	50	ICE MAKER ASSY.
1	67002823	50	BRKT, ICE MAKER
2	12671401	50	ASSY, IM ARM/WIRE
3	M0238833	50	SCREW SHOULDER
4	12582501	50	COVER, ICE MAKER
5	67004322	50	GLIDE, FRZ. (LT)
6	M0213530	50	SCREW, SM (STNLS)
7	67004323	50	GLIDE, FRZ. (RT)
8	67003577	50	BACK INNER FZ 26
8	M0238616	50	SCREW, SM
9	12583101	50	COVER, SUPPLY AIR
9	M0238616	50	SCREW, SM
9	M0580205	50	GROMMET, SCREW
10	67003578	50	DUCT, QUICK ICE 26
11	C8931612	50	CAPACITOR
11	M0226528	50	SCREW, TC
12	67003226	50	MOTOR, AUGER
12	67005219	50	HARNESS, AUGER MOTOR
12	M0226528	50	SCREW, TC
13	67005214	50	COVER, AUGER MOTOR
13	M0238616	50	SCREW, SM
14	Y12570701	50	SOCKET, LIGHT
15	10114901	50	DRIVER (ICE MAKER)
16	M0223101	50	NUT, LOCKING
17	67004135	50	SHIELD, FZ LIGHT
18	67003568	50	BULB, LIGHT (40 WATT)
19	67004192	50	COVER, EVAP
19	M0238616	50	SCREW, SM

MSD2650HEW FREEZER DOOR

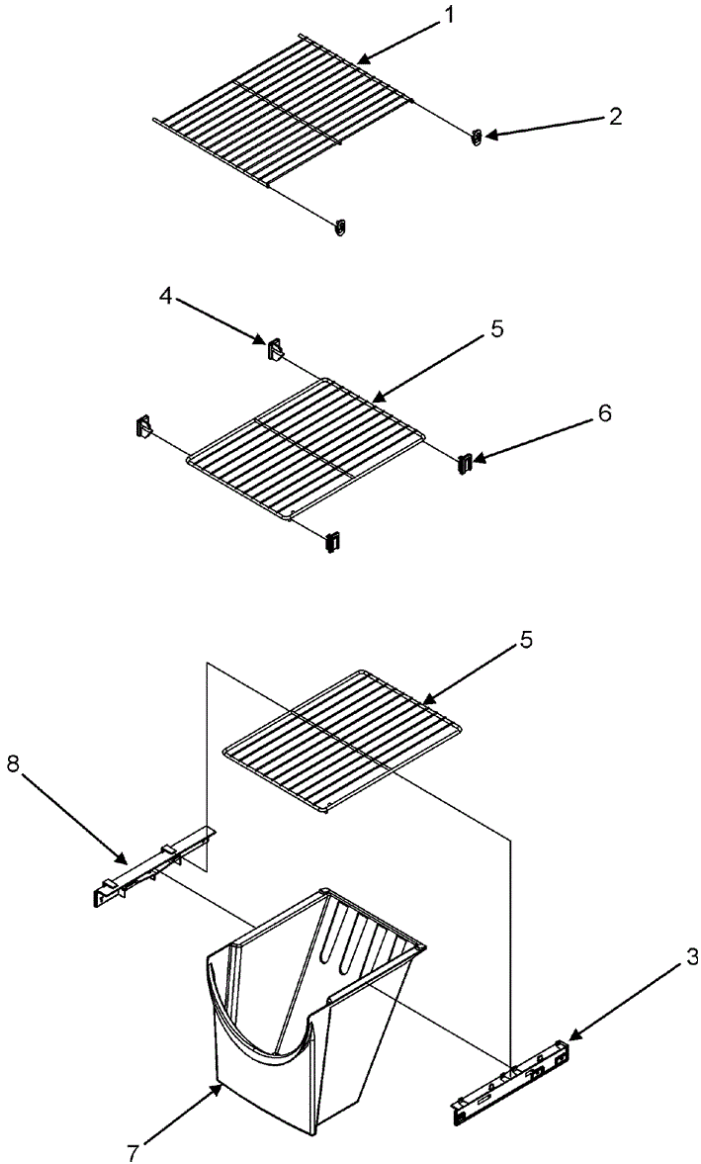




MSD2650HEW FREEZER DOOR

1	67005217	50	DOOR ASSY., FRZ. FOAM (WHT)
2	12571301B	50	CLOSURE, DOOR (BLK)
2	M0220432	50	SCREW, TC
3	12395501B	50	BUSHING, DOOR (BLK)
4	12636401W	50	STOP, DOOR (WHT)
4	M0211018	50	SCREW, SM
5	M0311605	50	PLUG, BUTTON (WHT)
6	A3080001	50	PLUG, BUTTON (BLK)
7	67003968	50	GASKET, FRZ. DOOR (WHT)
8	67004772	50	BUCKET, UPR FZ DR
9	12557501	50	BUCKET, LWR FZ DR

MSD2650HEW FREEZER SHELVES

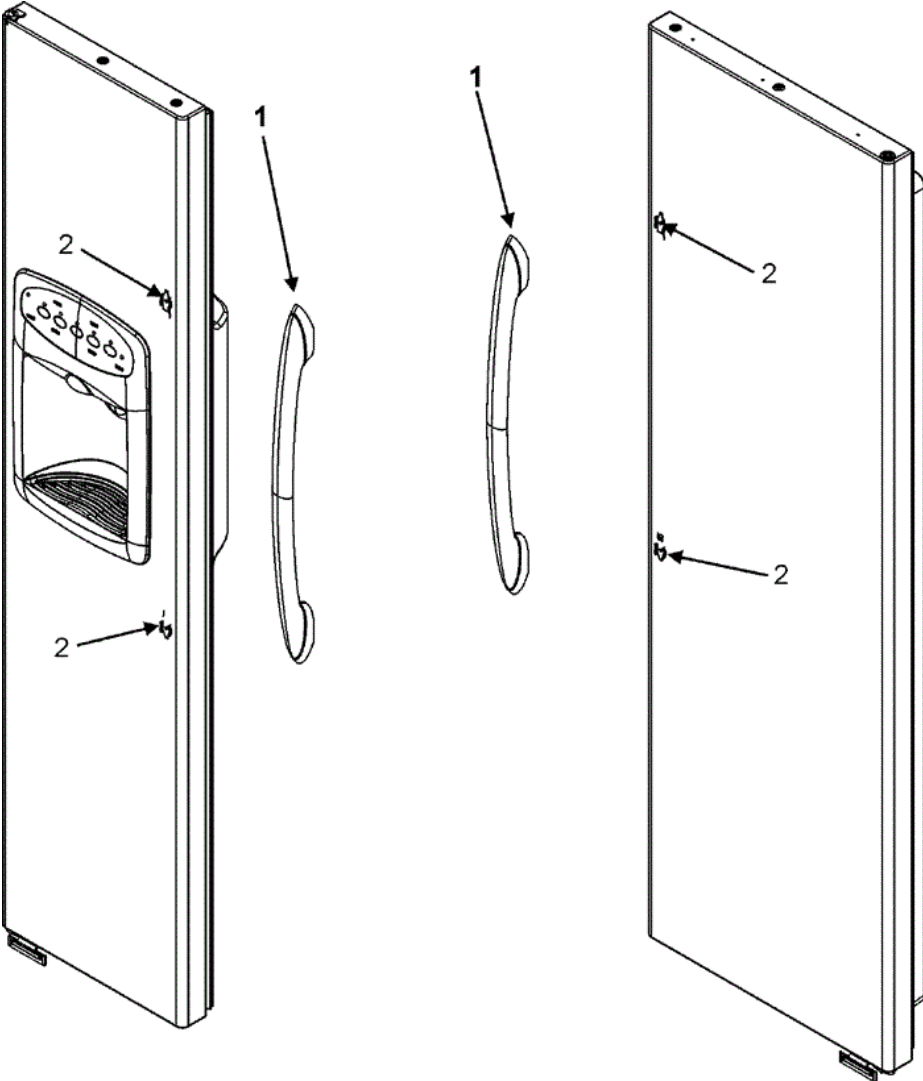




MSD2650HEW FREEZER SHELVES

1	67004354	50	SHELF, UPR FRZ.
2	C8973801	50	SUPPORT, FRZ SHELF
3	67004356	50	RAIL, BIN (RT)
4	12015002	50	SUPPORT, SHELF (LT)
5	67004690	50	SHELF, LWR FRZ.
6	10941102	50	SUPPORT, SHELF (RT)
7	12596501	50	BIN, FZ
8	67004355	50	RAIL, BIN (LT)

MSD2650HEW HANDLES

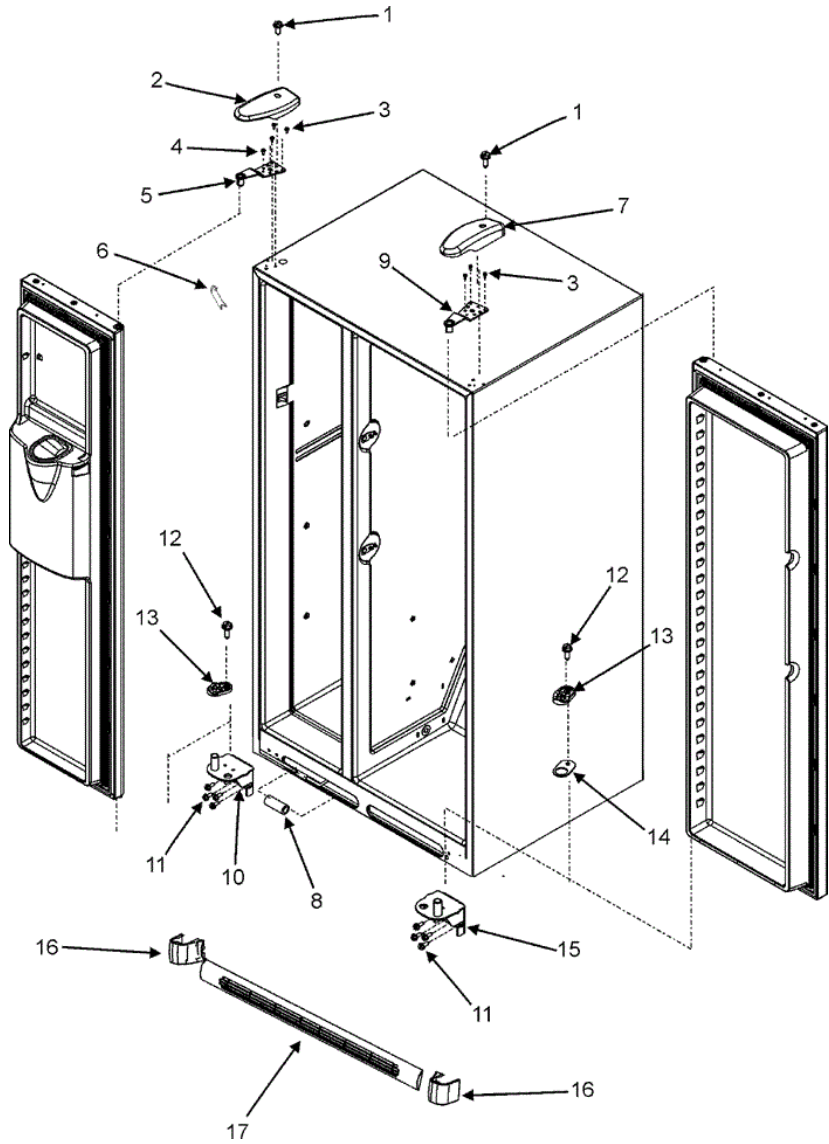




MSD2650HEW HANDLES

1	67004055	50	HANDLE ASSY., DOOR (WHT)
1	67004112	50	CARD, HANDLE RELEASE SS & WS
2	67003337	50	CLIP, HANDLE BUTTERFLY
2	67003800	50	SCREW, SM NO.10

MSD2650HEW HINGES

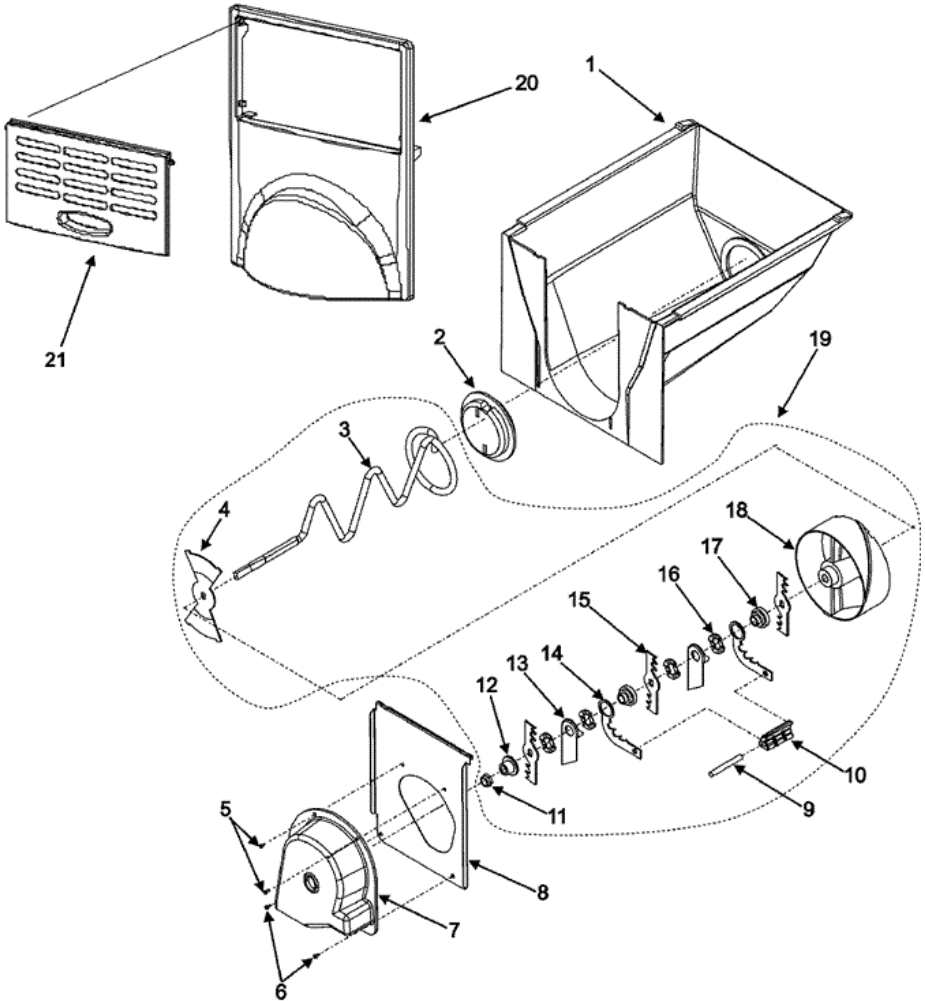




MSD2650HEW HINGES

1	M0202327	50	SCREW-MACH
2	67004029	50	COVER, TOP HINGE (LT-WHT)
3	M0238731	50	SCREW, TF
4	M0202321	50	SCREW, MACH
5	67004126	50	HINGE, TOP (LT-BLK)
6	67003484	50	COVER, CORNER (WHT)
7	67004030	50	COVER, TOP HINGE (RT-WHT)
8	61006182	50	UNION, TUBE (5/16``-5/16``)
9	67004083	50	HINGE, TOP (RT-BLK)
10	12636901ED	50	HINGE, BOTTOM (LT-BLK)
11	67003858	50	SCREW, BOTTOM HINGE
12	M0220431	50	SCREW, TC
13	12431302	50	CLOSURE, DOOR (BLK)
14	10361806	50	SHIM, DR CLOSURE (BLK)
15	12636902ED	50	HINGE, BOTTOM (RT-BLK)
16	12630301W	50	COVER, LWR HINGE (WHT)
17	12627302	50	CLIP, TOE GRILLE
17	67002223	50	TOE GRILLE ASSY (WHT)

MSD2650HEW ICE BUCKET

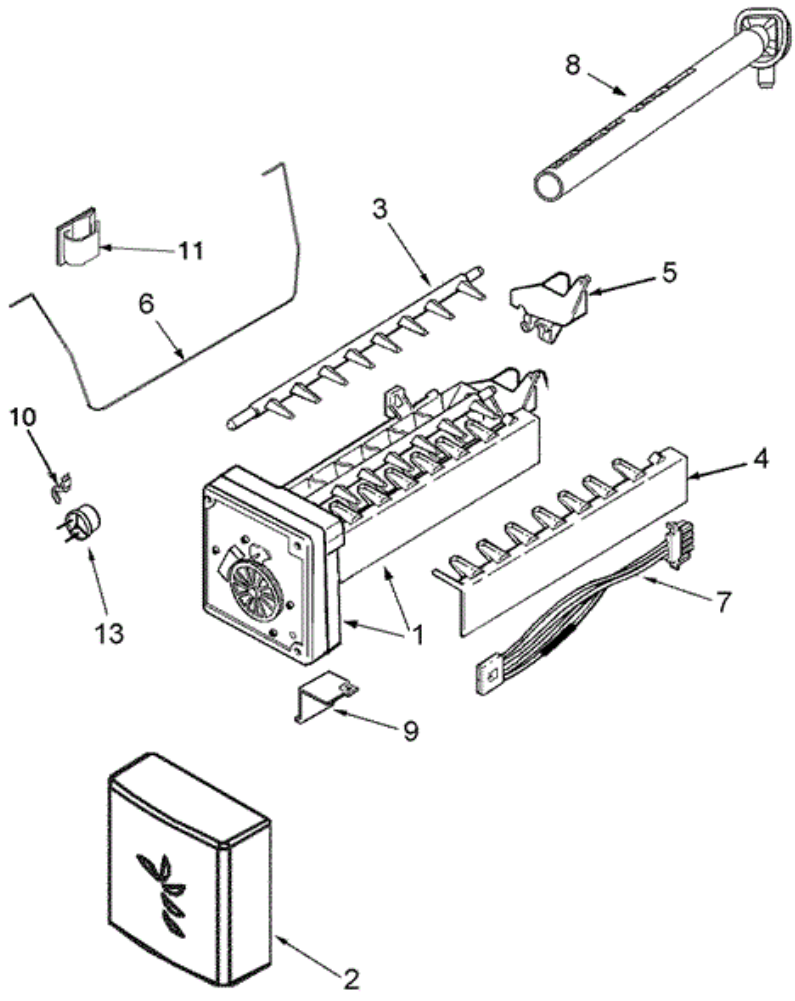




MSD2650HEW ICE BUCKET

1	12517801	50	BUCKET, ICE CRUSH
2	D7749401	50	CAP, HELIX END
3	10114401	50	AGITATOR, ICE
4	10113801	50	BAR, CRSH ICE BUCKET
5	59001208	50	SCREW, HEX HEAD
6	M0238616	50	SCREW, SM
7	67002271	50	COVER, BLADE
8	10115001	50	FRONT, ICE CRUSHER
9	M1200108	50	PIN, ROLL
10	10114101	50	ANCHOR, BLADE
11	M0223101	50	NUT, LOCKING
12	10113901	50	SPACER, COVER
13	10275201	50	DAMPER, ICE
14	10114601	50	BLADE, STATIC
15	10114501	50	BLADE, ROTATING
16	10275101	50	WASHER, WAVED
17	10114301	50	WASHER STEPPED
18	67002052	50	WHEEL, CRSH ICE
19	67003350	50	CRUSHED ICE AGITATOR ASSY
20	67004255	50	COVER, ICE BUCKET
21	67004358	50	DOOR, ICE BUCKET

MSD2650HEW ICE MAKER

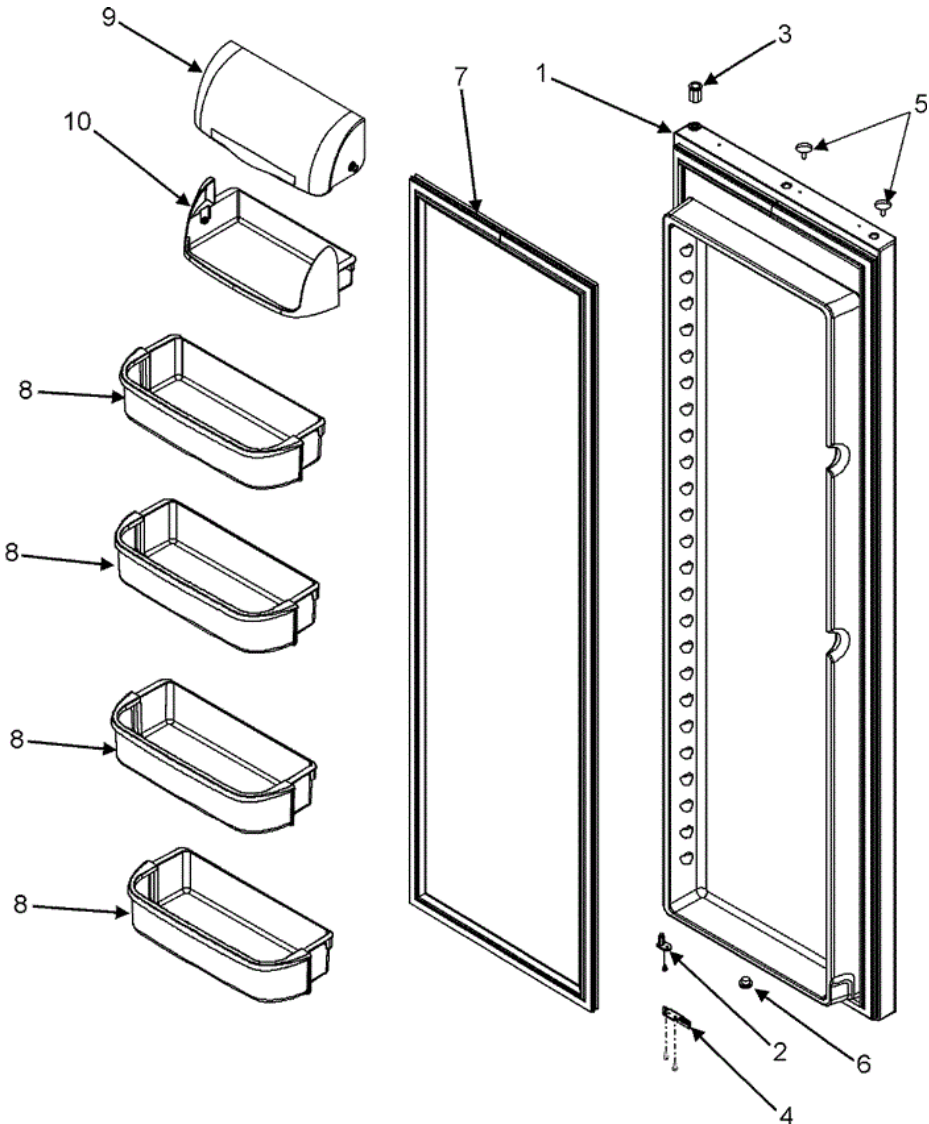




MSD2650HEW ICE MAKER

1	61005508	50	ICE MAKER ASSY.
1	67002823	50	BRKT, ICE MAKER
1	M0238833	50	SCREW SHOULDER
2	12582501	50	COVER, ICE MAKER
3	95101-1	50	EJECTOR, ICE
4	95102-1	50	STRIPPER, ICE
5	95100-1	50	INLET, WATER
6	12671401Q	50	IM ARM/WIRE ASSY
7	67002124	50	HARNESS, ICE MAKER
8	67003576	50	ELBOW, FILL TUBE
9	95107-1	50	BRACKET, MODULE & HEATER
9	95108-1	50	SCREW, BRACKET
10	95104-1	50	RETAINER, THERMOSTAT
11	M0104106	50	CLIP
12	95092-1	50	THERMOSTAT
12	95093-1	50	CEMENT, ALUMILASTIC (4 OZ.)
13	10244904	50	COUPLING
14	R0131235	50	ICE MAKER HOOK UP KI

MSD2650HEW REFRIGERATOR DOOR

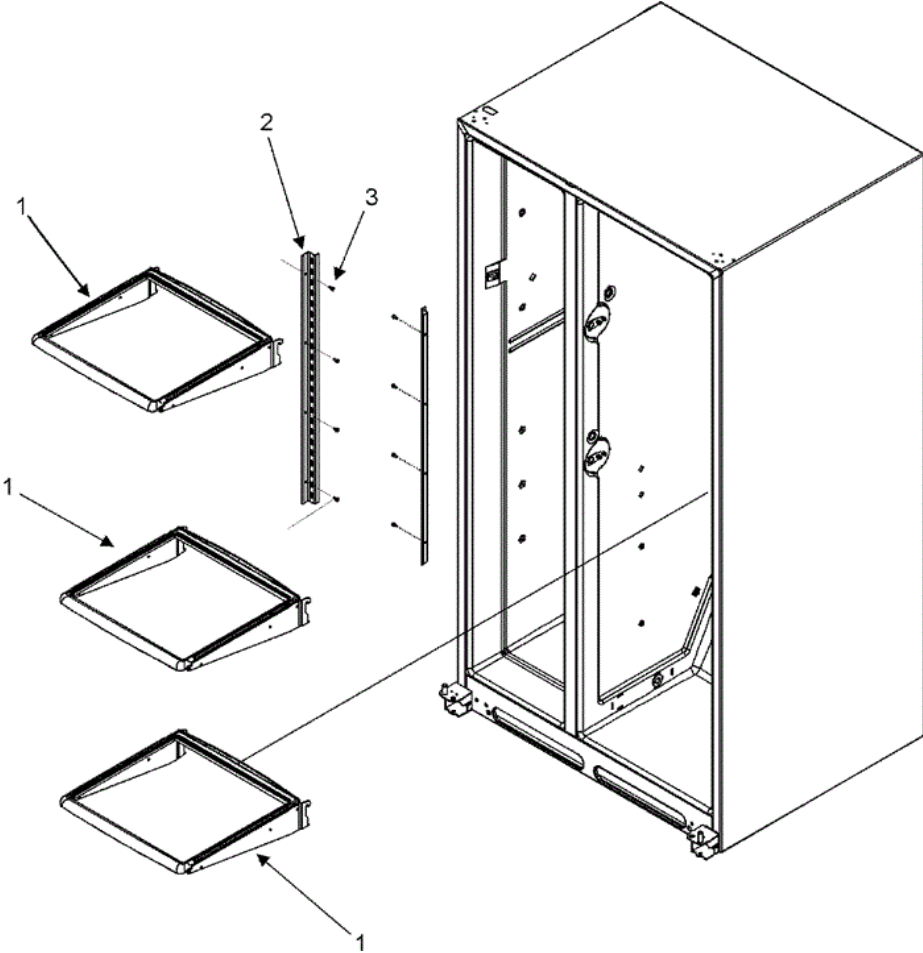




MSD2650HEW REFRIGERATOR DOOR

1	67003982	50	DOOR ASSY., REF. FOAM (WHT)
2	12113204	50	CLOSURE, DOOR (BLK)
2	M0220432	50	SCREW, TC
3	10961002	50	BUSHING, DOOR (BLK)
4	12636401W	50	STOP, DOOR (WHT)
4	M0211018	50	SCREW, SM
5	M0311605	50	PLUG, BUTTON (WHT)
6	A3080001	50	PLUG, BUTTON (BLK)
7	67003966	50	GASKET, REF. DOOR (WHT)
8	67004110	50	BUCKET-36`` REF GAL
9	67001325	50	DOOR, DAIRY
10	67002304	50	TRAY, DAIRY

**MSD2650HEW REFRIGERATOR
SHELVES**





MSD2650HEW REFRIGERATOR SHELVES

1	67005092	50	SHELF, STATIONARY
2	67003840	50	RAIL, L/R LG SXS
3	M0211016	50	SCREW, SM